

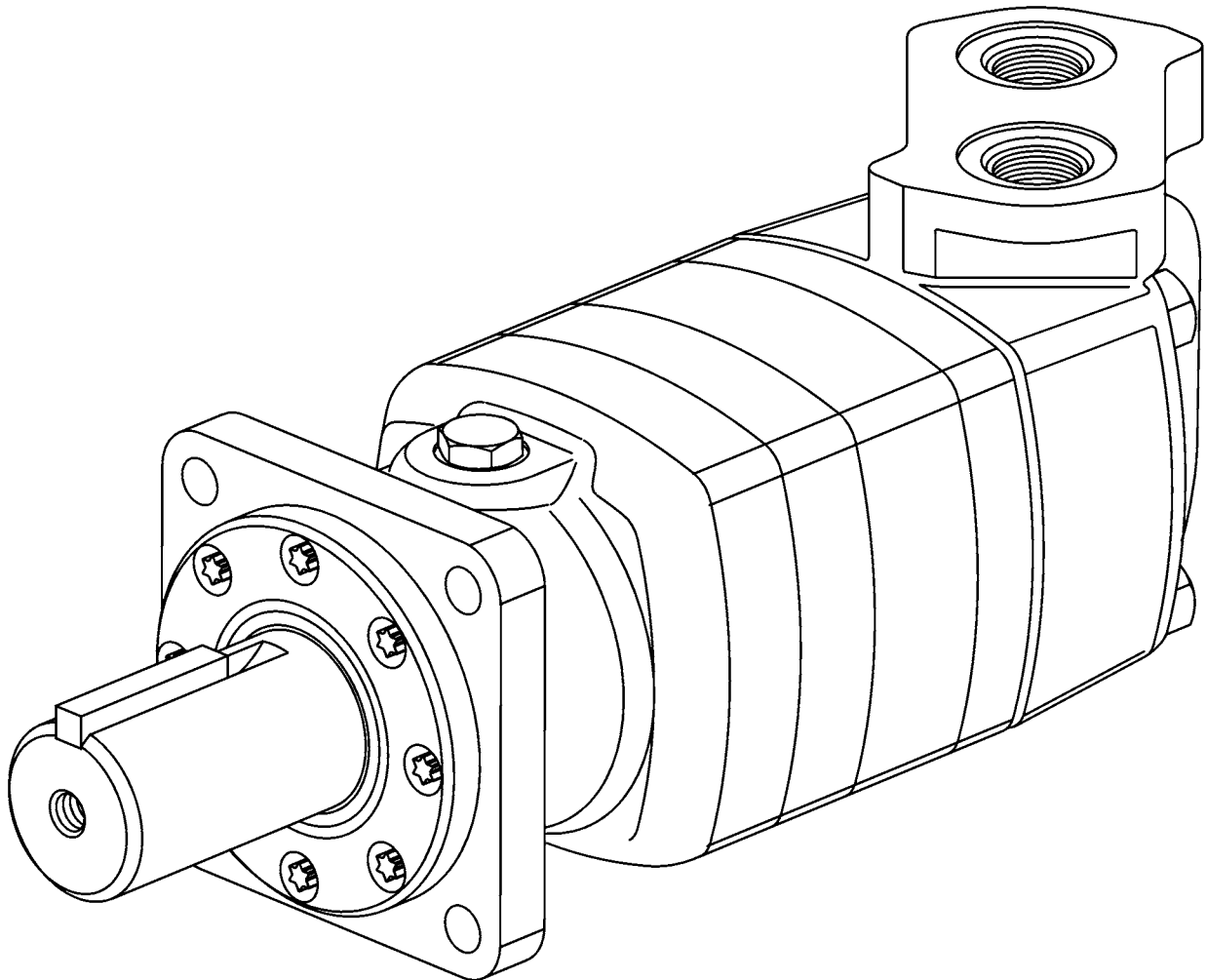
**EATON**

**Char-Lynn**

Disc Valve Hydraulic Motors

10,000 Series  
Geroler® Motors

002 003 004





# 10,000 Series Parts List

Ref. No.	Part Number	Description	Quantity Per Unit		
			Standard	Wheel	Bearingless
1	8484-000	Shaft S/A (2-1/4 in. Str. w/o Thread)	1	1	—
	14395-016	Key (Str. Shaft)	1	1	—
	8483-000	Shaft S/A (2-1/4 in. Tapered)	1	1	—
	14396-012	Key (Tapered Shaft)	1	1	—
	6340-000	Nut (Tapered Shaft)	1	1	—
	8482-000	Shaft S/A (2-1/8 in. 30° 16T Involute Spline)	1	1	—
2	8918-000	Flange, Mounting /Wear Plate	—	—	1
3	9003-002	Bearing, Radial	2	2	—
4	6181-000	Spacer, Bearing	1	1	—
5	6175-000	Spacer, Bearing Front	1	1	—
6	9001-004	Washer, Thrust	1	1	—
7	9002-004	Bearing, Front Thrust	1	1	—
8	9001-003	Washer, Thrust (Thin)	1	1	—
9	9070-007	Plug/O-ring S/A	2	—	—
X	250003-910	O-ring (Ref. No. 9)	2	—	—
X 13	9022-013	O-ring	4	4	(Note 1)
X 14	15042-000	O-ring	4	4	(Note 1)
15	8731-000	Retainer, Front	1	1	—
† 16	15045-000	O-ring	1	1	—
† 17	9004-002	Ring, Quad	1	1	—
† 18	8732-000	Washer, Backup	1	1	—
† 19	6212-000	Seal, Dust	1	1	—
20	16292-100	Screw, Cap	8	8	—
21	*	Drive, Main	1	1	1
22	8958-000	Plate, Wear	1	1	—
23	9001-002	Washer, Rear Thrust	1	1	—
24	9002-003	Bearing, Rear Thrust	1	1	—
25	*	Geroler	1	1	1
27	8957-000	Plate, Valve	1	1	1
	23864-000	Plate, Valve	—	—	1***
28	6168-000	Drive, Valve	1	1	1
X 30	6176-000	Seal, Outer Face	1	1	1
X 31	6177-000	Seal, Inner Face	1	1	1
32	6203-000	Spring, Compression	4	4	4
33 and 34	21318-000	Balance Ring/Pin Assembly	1	1	1
35	18026-000	Ball	2	2	2
36	6464-000	Spring, Compression	2	2	2
37	8350-000	Plug/O-ring S/A	2	2	2
	X 250003-903	O-ring (Ref. No. 37)	2	2	2
38	9072-005	Plug/O-ring S/A	1	1	1
X	250003-906	O-ring (Ref. No. 38)	1	1	1

(Continued on Back Page)

Ref. No.	Part Number	Description	Quantity Per Unit		
			Standard	Wheel	Bearingless
39	6792-000	Valve	1	1	1
40	*	Screw, Cap (replaces and interchanges with studs)	4	4	4
41	16296-168	Ring, Retaining	—	—	1***
A	62506-000	Kit, Housing, Valve (1-5/16 O-ring Ports)	1	1	1
B	62505-000	Kit, Housing, Valve (1-1/4 Split Flange Ports)	1	1	1
C	62006-000	Kit, Housing, Bearing (Std. Motor)	1	—	—
D	62008-000	Kit, Housing, Bearing (Whl. Motor)	—	1	—
X	6405-000	Seal Kit, Motor (Contains Part Indicated by X)	1	1	1
†	6406-000	Seal Kit, Shaft (Contains Part Indicated by †)	1	1	—

\* See Chart on Page 2

\*\*With 8918-000 Flange, no Wear Plate (Ref. No. 22) is used and -004 Bearingless Motor bolt length is required.

\*\*\*940 cm<sup>3</sup>/r [57.4 in<sup>3</sup>/r] Bearingless motor only.

Note 1: The -002 and -003 Bearingless motors use 4 O-rings while -004 motor uses 3 O-rings.

Note 2: DO NOT use spacer with current replacement shafts (Ref. No. 1). Motors with this shaft spacer (6171-000) will still have to be reassembled with spacer unless the shaft was damaged and must be replaced.

### Product Numbers—10,000 Series Motors

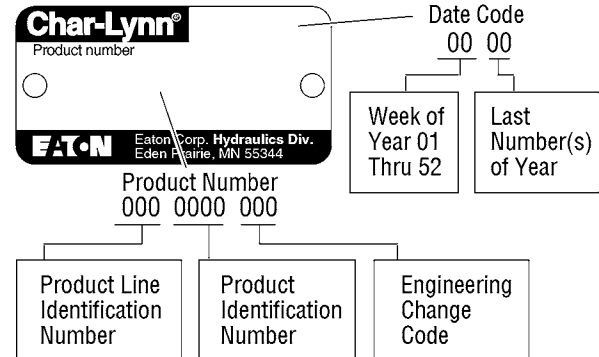
Mounting	Shaft	Ports	Displ. cm <sup>3</sup> /r [in <sup>3</sup> /r] Product Number			
			345 [21.0]	480 [29.3]	665 [40.6]	940 [57.4]
Standard	2-1/4 in. Straight	1-5/16 O-ring	119-1028	-1029	-1030	-1031
		1-1/4 Split Flange	119-1040	-1041	-1042	-1043
	2-1/8 Inch 16 T Splined	1-5/16 O-ring	119-1032	-1033	-1034	-1035
		1-1/4 Split Flange	119-1044	-1045	-1046	-1047
2-1/4 Inch Tapered	1-5/16 O-ring	119-1036	-1037	-1038	-1039	
	1-1/4 Split Flange	119-1048	-1049	-1050	-1051	
Wheel Motor	2-1/4 in. Straight	1-5/16 O-ring	120-1005	-1006	-1007	-1008
		1-1/4 Split Flange	120-1017	-1018	-1019	-1020
Bearingless	2-1/8 Inch 16 T Splined	1-5/16 O-ring	120-1009	-1010	-1011	-1012
		1-1/4 Split Flange	120-1021	-1022	-1023	-1024
Bearingless	2-1/4 Inch Tapered	1-5/16 O-ring	120-1013	-1014	-1015	-1016
		1-1/4 Split Flange	120-1025	-1026	-1027	-1028
Bearingless	2-1/4 in. Straight	1-5/16 O-ring	121-1007	-1008	-1009	-1010
		1-1/4 Split Flange	121-1011	-1012	-1013	-1014

121-1013

### How to Order Replacement Parts

#### Each Order Must Include the Following:

1. Product Number
2. Date Code
3. Part Name
4. Part Number
5. Quantity of Parts



Eaton  
14615 Lone Oak Road  
Eden Prairie, MN 55344  
USA  
Tel: 952 937-9800  
Fax: 952 974-7722  
www.hydraulics.eaton.com

Eaton  
20 Rosamond Road  
Footscray  
Victoria 3011  
Australia  
Tel: (61) 3 9319 8222  
Fax: (61) 3 9318 5714

Eaton  
46 New Lane, Havant  
Hampshire PO9 2NB  
England  
Tel: (44) 23 92 486 451  
Fax: (44) 23 92 487 110

**EAT•N**

**Char-Lynn**