

Service Data

Vickers®

# Vane Pumps

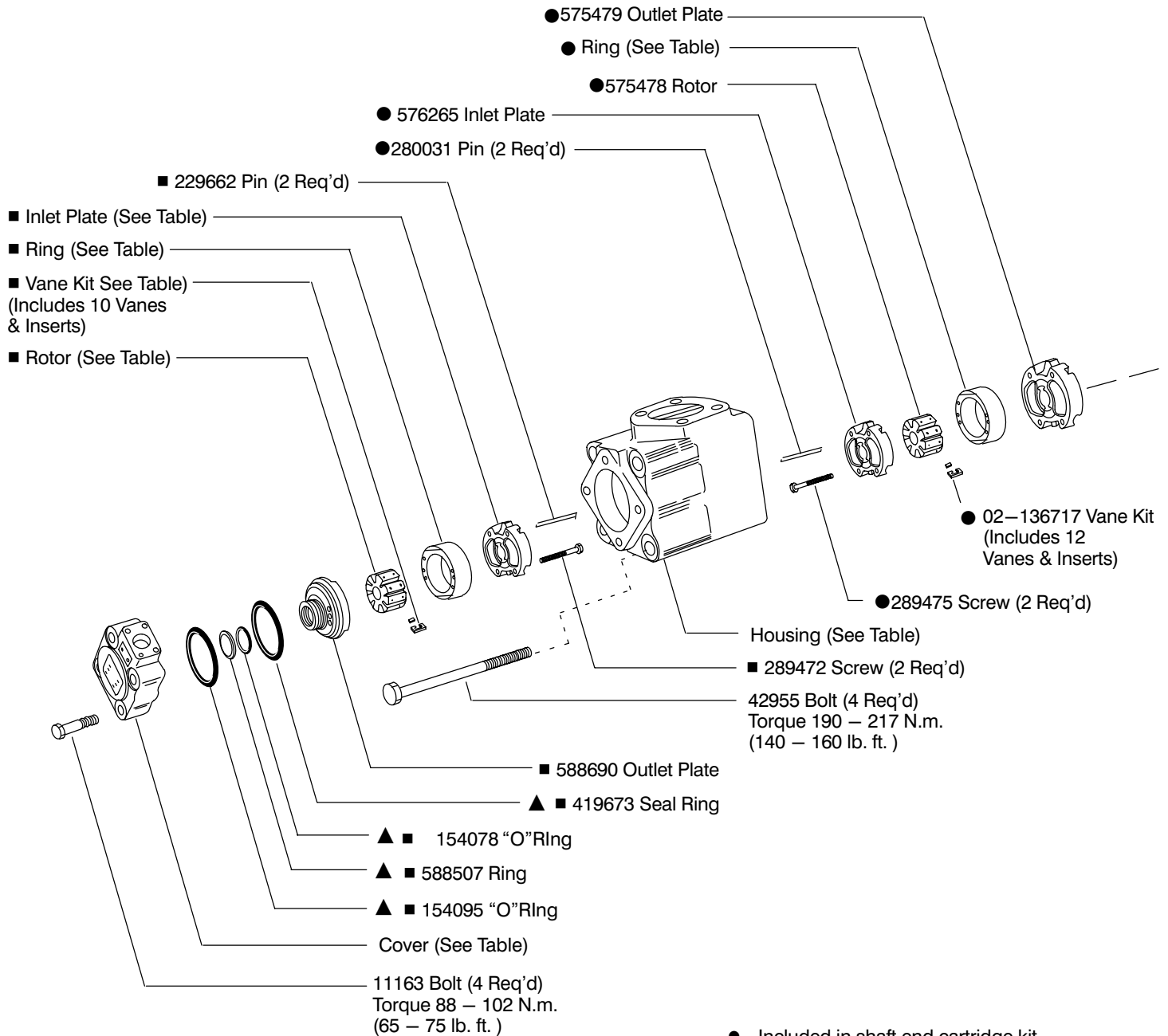
---



## Vane Type Double Pump

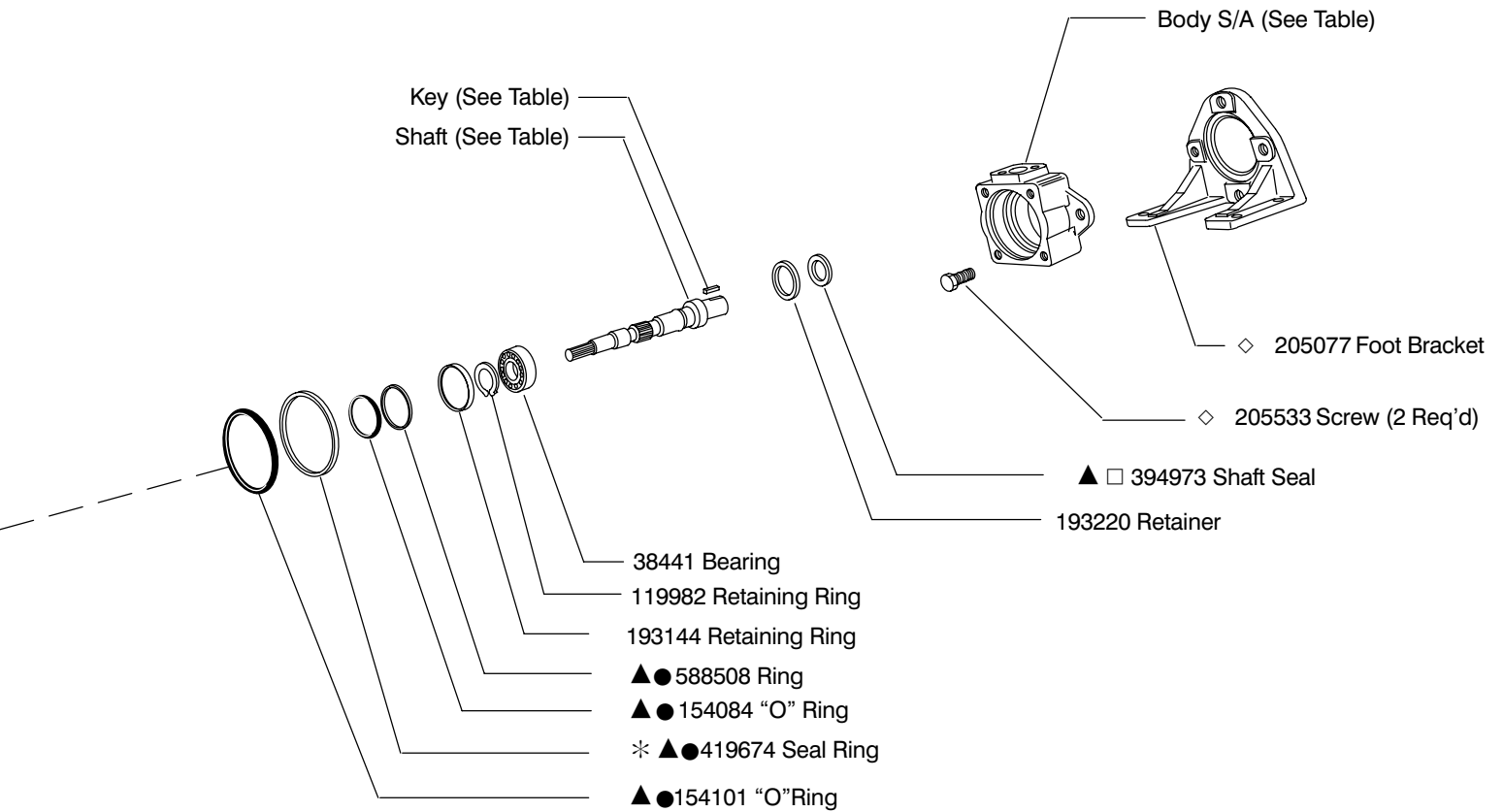
(F3)–3525V(M)–\*\*A(M)\*\*(F)–\*\*–22–\*

MODEL	■ ROTOR	■ VANE KIT	■ RING	■ INLET PLATE	Cover End ■ CART. KIT	Cover End ■ F3 CART. KIT
3525V***12	584618	02-136719	584610	588689	02-102536	02-102544
3525V***14			584612		02-102537	02-102545
3525V***17			584614		02-102538	02-102546
3525V***21			584616		02-102539	02-102547



- Included in shaft end cartridge kit
- Included in cover end cartridge kit
- ▲ Included in seal kit 922862  
F3 equivalent seal kit 919305
- ◇ Included in foot bracket kit FB-C-10
- Assemble seal with spring loaded sealing member towards bearing. Seals to be completely wetted with oil prior to assembly.
- \* Install 419674 sealing ring into body, then install cartridge kit.

MODEL	● RING	Shaft End	Shaft End
		● CART KIT	● F3 CART KIT
3525V25	576210	02-102552	02-102560
3525V30	576212	02-102553	02-102561
3525V35	576214	02-102554	02-102562
3525V38	575476	02-102555	02-102563

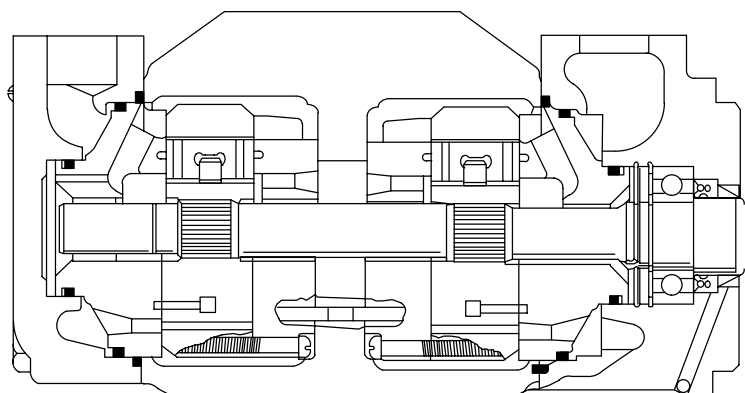


MODEL	COVER	HOUSING	BODY S/A
3525V**A	231532	230189	942355
3525V**E	242250		942355
3525VM**A	231532	995239	02-136921
3525VM**AM	478512		02-136922

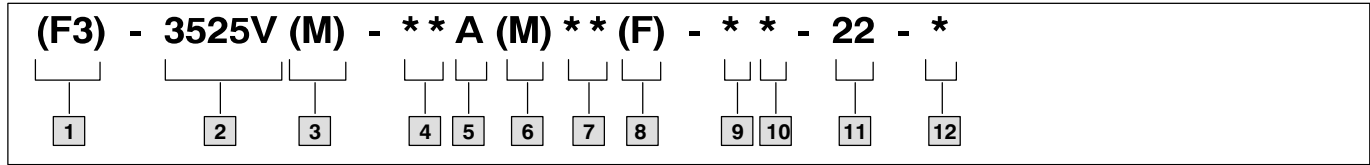
SHAFT	TYPE	KEY
243448	(1) keyed	88678
243449	(11) splined	—
394036	(86) keyed	393536
860098	(192N) keyed	472287

#### NOTE

For satisfactory service life of these components in industrial applications, use full flow filtration to provide fluid which meets ISO cleanliness code 16/13 or cleaner. OFP, OFR, and OFRS series filters are recommended.



# Model Code



**1 Special seals**

**2 Series designation**

Displacements  $\text{cm}^3/\text{r}$  ( $\text{in}^3/\text{r}$ )

Model	Shaft end	Cover end
3525V	81 – 121 (4.94–7.37)	40 – 67 (2.47 – 4.13)

**3 Pilot designation**

**M** – Metric per ISO 3019/2 100A2HW  
**Omit** – Standard pilot

**4 Geometric displacement**

Shaft end pump

(Rated capacity (USgpm) at 1200 rpm, 6.9 bar (100 psi))

Frame size	Code	$\text{cm}^3/\text{r}$	$\text{in}^3/\text{r}$
3525V	25	81	4.94
	30	97	5.91
	35	112	6.83
	38	121	7.37

**5 Port connections**

**A** – SAE 4 bolt flange

**6 Port connection modifier**

**M** – Metric port connection (4 bolt flange)  
**Omit** – Inch thread port connection (4 bolt flange)

**7 Geometric displacement**

Cover end pump

(Rated capacity (USgpm) at 1200 rpm, 6.9 bar (100 psi))

Frame size	Code	$\text{cm}^3/\text{r}$	$\text{in}^3/\text{r}$
3525V	12	40	2.47
	14	45	2.78
	17	55	3.39
	21	67	4.13

**8 Mounting**

**F** – Foot mounting  
**Omit** – Flange mounting

**9 Shaft**

**1** – Straight keyed  
**11** – Splined  
**86** – Heavy duty straight keyed  
**192N** – Straight keyed (M pilot only)

**10 Port orientation**

(Viewed from cover end of pump)

With no. 1 outlet opposite inlet

**AA** – No. 2 outlet 135° CCW from inlet  
**AB** – No. 2 outlet 45° CCW from inlet  
**AC** – No. 2 outlet 45° CW from inlet  
**AD** – No. 2 outlet 135° CW from inlet

With no. 1 outlet 90° CCW from inlet

**BA** – No. 2 outlet 135° CCW from inlet  
**BB** – No. 2 outlet 45° CCW from inlet  
**BC** – No. 2 outlet 45° CW from inlet  
**BD** – No. 2 outlet 135° CW from inlet

With no. 1 outlet inline with inlet

**CA** – No. 2 outlet 135° CCW from inlet  
**CB** – No. 2 outlet 45° CCW from inlet  
**CC** – No. 2 outlet 45° CW from inlet  
**CD** – No. 2 outlet 135° CW from inlet

With no. 1 outlet 90° CW from inlet

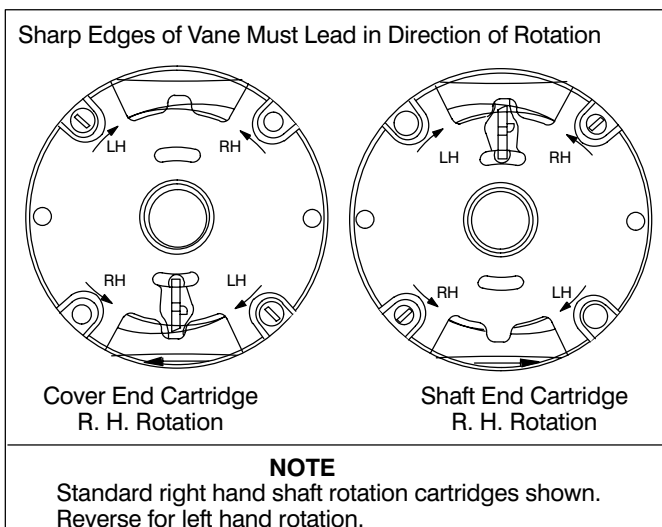
**DA** – No. 2 outlet 135° CCW from inlet  
**DB** – No. 2 outlet 45° CCW from inlet  
**DC** – No. 2 outlet 45° CW from inlet  
**DD** – No. 2 outlet 135° CW from inlet

**11 Design**

**12 Rotation**

(Viewed from shaft end of pump)

**L** – Left hand for counterclockwise  
**R** – Right hand for clockwise



**NOTE**

To reverse cartridge kit rotation, remove the two screws and reverse the location of the inlet support plate and the outlet support plate. Reinstall the two screws hand tight. Use pump cover to align all sections of the cartridge. Carefully remove the cover and tighten the screws.

When ordering spare cartridge parts, it is recommended they be obtained in cartridge kits. Kits are assembled and tested for either right or left hand rotation. If left hand rotation is required, it should be specified on parts order by adding suffix "L" to cartridge kit number.