

Service Data

Vickers®

Vane Pumps



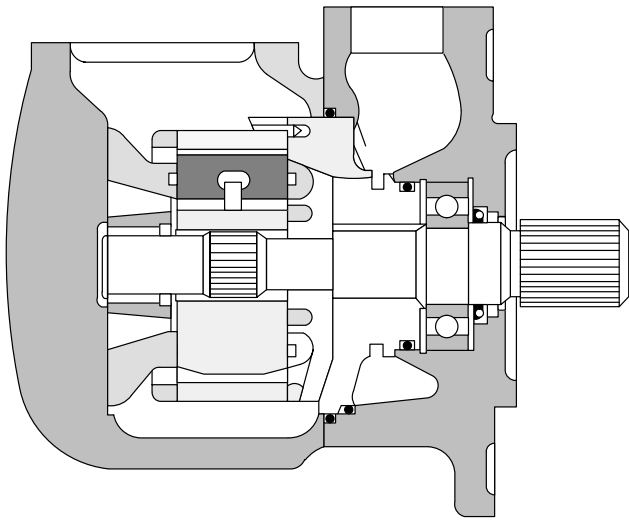
Vane Pumps

50V***A-**11L-13*



Revised 10/01/85

I-3175-S



Note
 Saturate the felt wiper with oil before assembly. Also, apply a small amount of grease to the inner circumference of seal before installation of shaft.

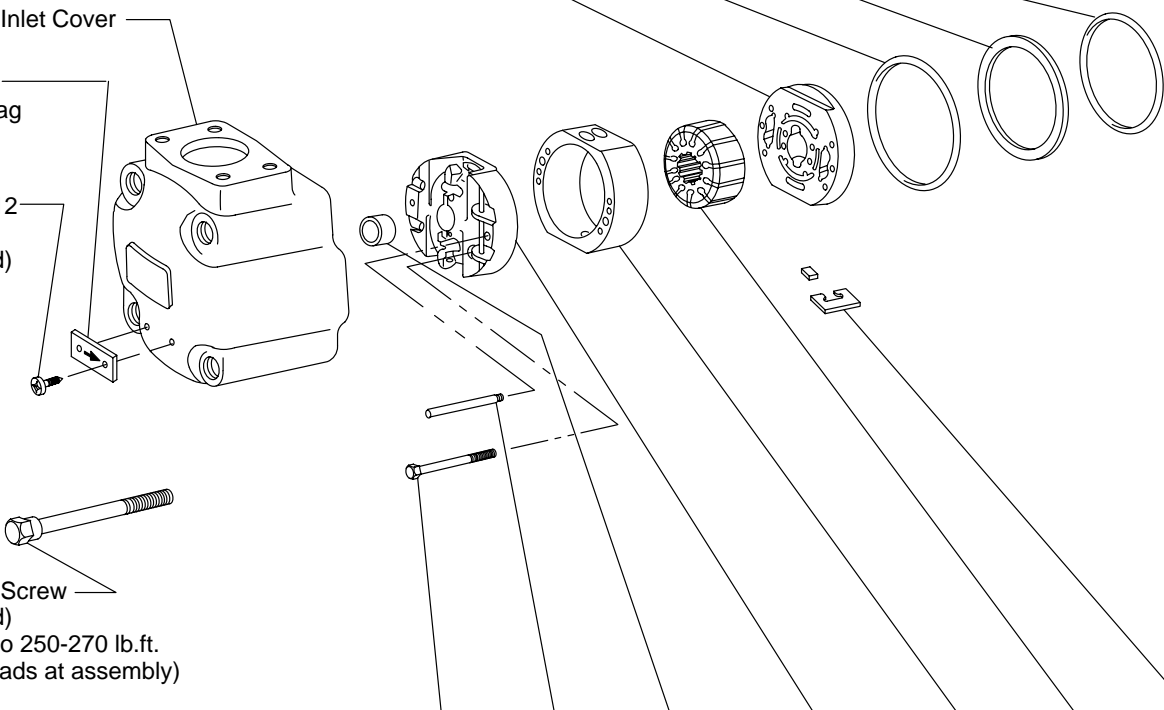
Model	Pressure Plate	"O" Ring	Back-up Ring	"O" Ring	Cartridge Kit	F3 Cartridge Kit
	These Parts are included in Cartridge Kit					
50V 72A-**11-13*	278736	▲154113	▲271826	▲154111	923017	941811
50V 85A-**11-13*					923018	941812
50V 100A-**11-13*					923019	941813
50V 109A-**11-13*					923020	941814

278740 Inlet Cover

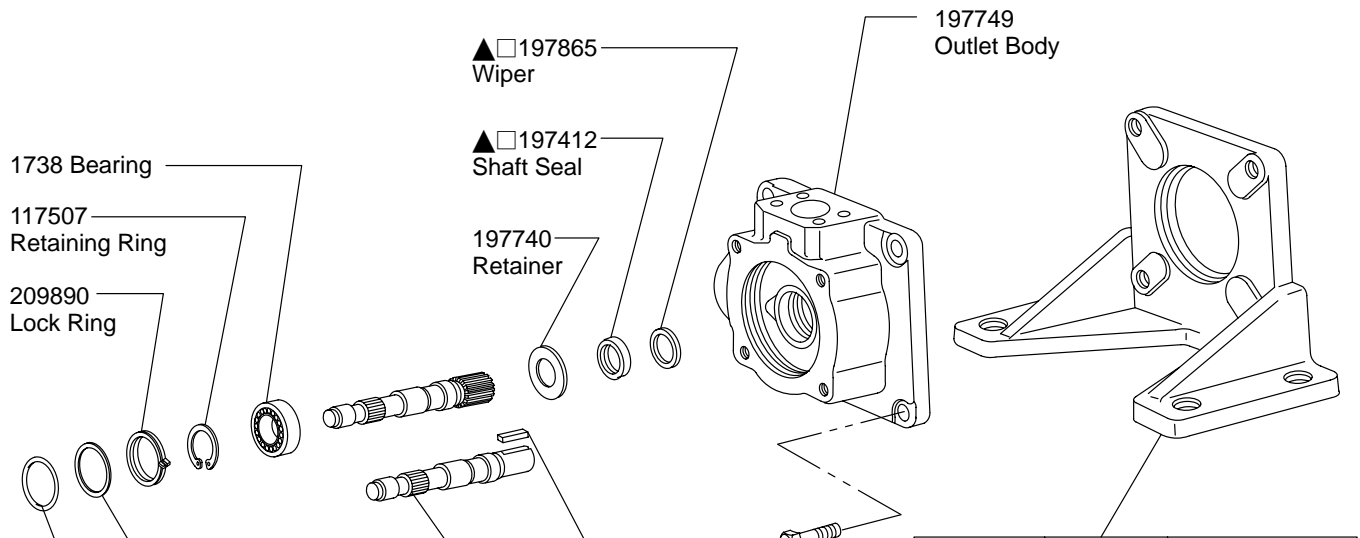
294959 Arrow Tag

3X-36212 Screw (2 Req'd)

278739 Screw (4 Req'd)
 Torque to 250-270 lb.ft.
 (Oil threads at assembly)



Model	F3 Cartridge Kit	Cartridge Kit	Screw (2 Req'd)	Pin (2 Req'd)	Bushing	Wear Plate S/A (Incl. Bushing)	Ring	Rotor	Vane Kit (10 Vanes 10 Inserts)
	These Parts are included in Cartridge Kit								
50V 72A-**11-13*	941811	923017	298011	225800	243585	278737	258040	278738	922613
50V 85A-**11-13*	941812	923018					236552		
50V 100A-**11-13*	941813	923019					214295		
50V 109A-**11-13*	941814	923020					236506		



Shaft	Key	Model
230642	219939	50V**-1*11-13*
225811		50V**-4*11-13*
197878		50V**-11*11-13*

Screw (4 Req'd)	Bracket	Model
214793	279625	50V**-**11-132

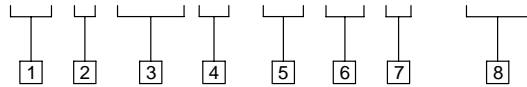
"O" Ring	Back-Up Ring	Cartridge Kit	F3 Cartridge Kit
These parts are included in cartridge kit		↓ 923017 923018 923019 923020	941811
▲154090	▲271804		941812
			941813
			941814

Included in 922853 seal kit

F3 equivalent seal kit 919256

Model Code

50 V * A - ** 11 L - 13 ***



1 Model Series

50V - Vane pump

2 Capacity (USgpm)

72 - 72 USgpm
85 - 85 USgpm
100 - 100 USgpm
109 - 109 USgpm

3 Port Connections

(Inlet & Outlets Ports)

A - 4 bolt flange

4 Shaft

1 - Straight keyed
4 - Involute splined
11 - Splined

5 Outlet Port Positions

(Viewed from Cover End of Pump)

A - Outlet opposite Inlet Port
B - Outlet 90° CCW from Inlet Port
C - Outlet Inline with Inlet Port
D - Outlet 90° CW from Inlet Port

6 Design

7 Rotation

(Viewed from Shaft End)

8 Special Modifications

103 - Omit foot bracket
132 - With foot bracket

For satisfactory service life of these components, use full flow filtration to provide fluid which meets ISO cleanliness code 20/18/15 or cleaner. Selections from Eaton OFF, OFR, and OFRS series are recommended.

Eaton Hydraulics

15151 Highway 5
Eden Prairie, MN 55344
Telephone: 612 937-7254
Fax: 612 937-7130
www.eatonhydraulics.com

46 New Lane, Havant
Hampshire PO9 2NB
England
Telephone: (44) 170-548-6451
Fax: (44) 170-548-7110

