

**MANNESMANN  
REXROTH**

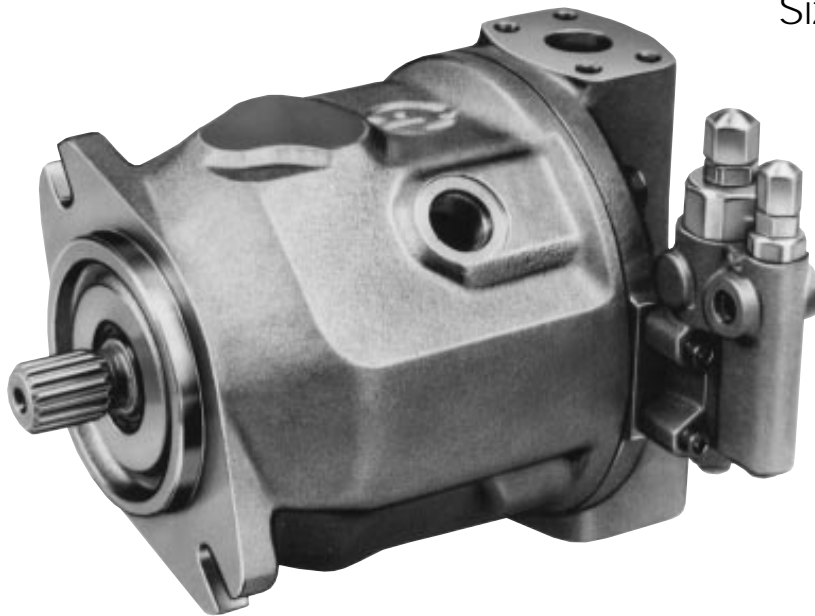
Mobile Division

**E**

**Service Parts List**

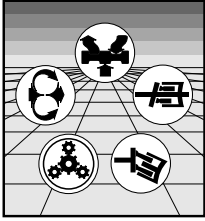
**A10VO**

Series 30  
Size 71



RA 06281-03-E  
08.93

Variable Displacement Pump A10VO71, Series 30



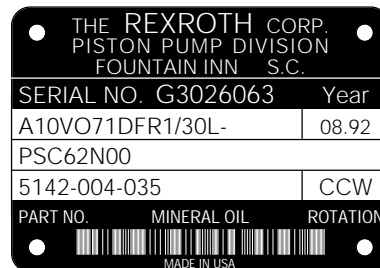
# MANNESMANN REXROTH

## Ordering of Parts

For Rexroth to supply the correct parts for your unit, please include all of the following information along with your parts order.

**Model Code**  
**Serial Number**  
**Unit Number**  
**Part Name**  
**Part Number**

Due to modifications and improvements to our products, minor changes can occur to the parts, even though the type code may not necessarily reflect these changes. The type number and serial number will guarantee that the correct parts for your unit are supplied.



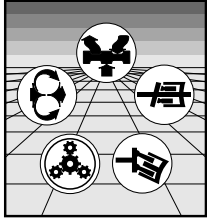
## Ordering Example

To order a replacement rotary group for an A10VO variable displacement pump having the above nameplate, the following information would be required.

<b>+ Model Code</b>	<b>A10VO71DFR1/30L-PSC62N00</b>
<b>+ Serial Number</b>	<b>G3026063</b>
<b>+ Unit Number</b>	<b>5142-004-035</b>
<b>* Part Name</b>	<b>Rotary Group</b>
<b>* Part Number</b>	<b>BH00911929</b>

+ This information is taken from the nameplate on the pump.

\* This information is taken from the Service Parts List.



# MANNESMANN REXROTH

## Index

### Assembly Views and Parts

A10 Assembly . . . . . 4–7

### Sub-Assembly Views and Parts

#### Rotary Groups

BH00911929 . . . . . 8–9

BH00956007 . . . . . 10–11

#### Control Pistons

BH00910873 . . . . . 12–13

BH00910870 . . . . . 14–15

BH00916310 . . . . . 16–17

#### Compensators

BH00907094 . . . . . 18–19

BH00907095 . . . . . 18–19

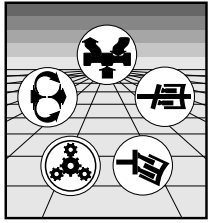
BH00907096 . . . . . 18–19

BH00907370 . . . . . 18–19

BH00907371 . . . . . 18–19

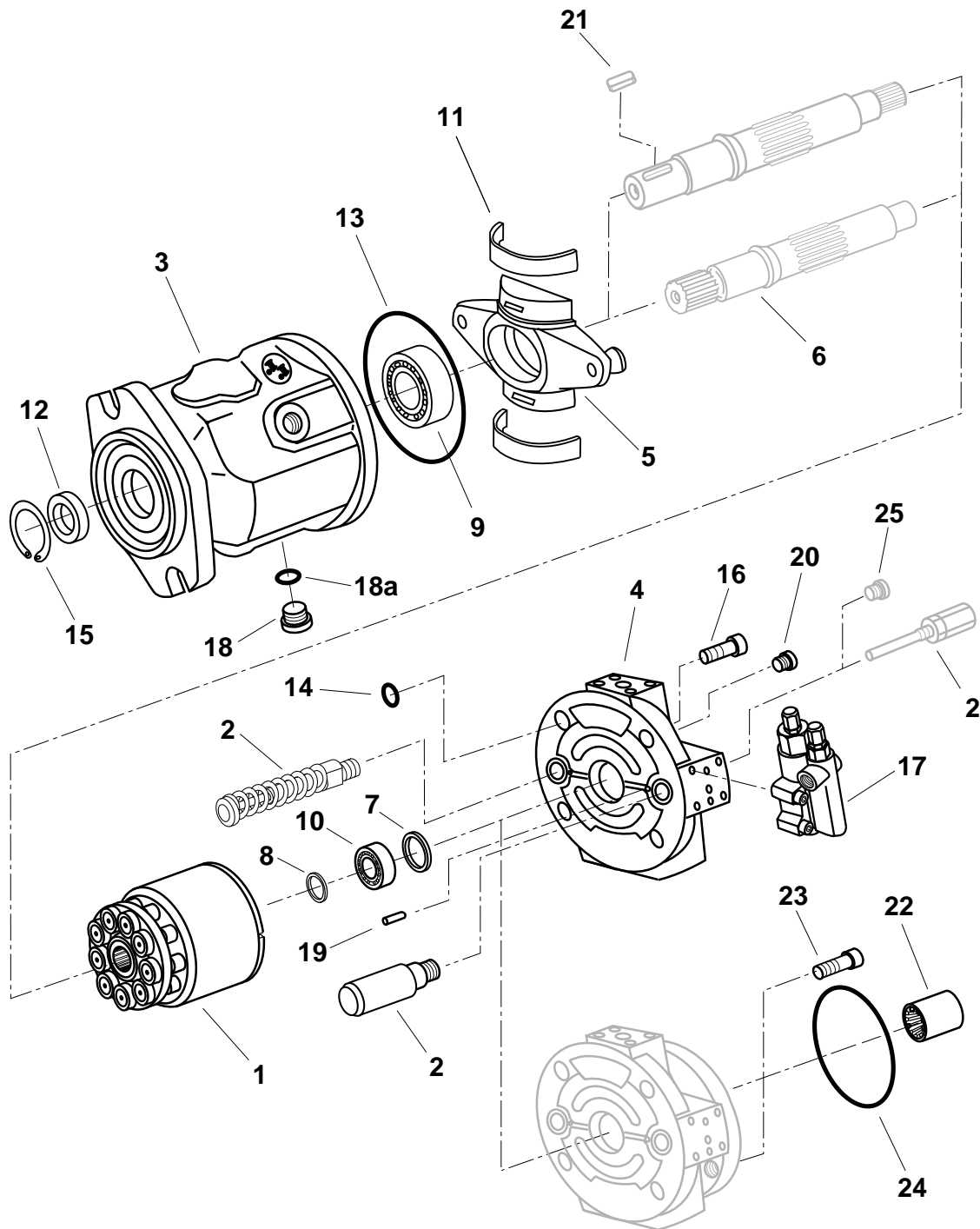
BH00908384 . . . . . 18–19

Note Page . . . . . 20

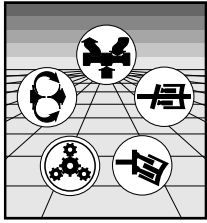


# MANNESMANN REXROTH

Assembly Number  
**A10V(S)071**



## Variable Displacement Pump A10VO71, Series 30



# MANNESMANN REXROTH

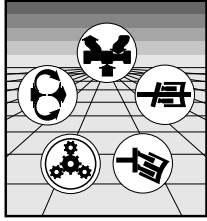
Assembly Number  
**A10V(S)O71**

Item	Description	Qty	Part Number	Code
1	Rotary Group Assembly A10V(S)O71L	1	BH00911929	■
1	Rotary Group Assembly A10V(S)O71R	1	BH00956007	◆
2	Control-Piston Assembly	1	BH00910873	
2	Control-Piston Assembly (ASL Buna)	1	BH00910870	
2	Control-Piston Assembly (ASL Viton)	1	BH00916310	
3	Pump Housing	1	BH00915775	
4	Block-Port A10VO71/30L . 61N00	1	5140-542-005	
4	Block-Port A10VO71/30L . 62N00	1	5140-542-004	
4	Block-Port A10VO71/30L . 62K01	1	5140-542-006	
4	Block-Port A10VO71/30L . 62K02, K03, K04	1	5140-542-007	
4	Block-Port A10VO71/30L . 62K07, K08	1	5140-542-003	
4	Block-Port A10VO71/30R . 61N00	1	5140-542-002	
4	Block-Port A10VO71/30R . 62N00	1	5140-542-001	
4	Block-Port A10VO71/30R . 62K01	1	5140-542-008	
4	Block-Port A10VO71/30R . 62K02, K03, K04	1	5140-542-009	
4	Block-Port A10VO71/30R . 62K07, K08	1	5140-542-010	
5	Cradle Assembly A10V(S)O71L	1	BH00904689	■
5	Cradle Assembly A10V(S)O71R	1	BH00903881	◆
6	Shaft-Drive 14T W/O T/Drive	1	BH00923553	
6	Shaft-Drive 14T With T/Drive	1	BH00923471	
6	Shaft-Drive Keyed W/O T/Drive	1	BH00926333	
6	Shaft-Drive Keyed With T/Drive	1	BH00926334	
7	Washer	1	BH00744131	
8	Adjusting Disc A10V(S)O71 (3.00 mm)	1	BH00939005	
8	Adjusting Disc A10V(S)O71 (2.10 mm)	0	B939005-210	
8	Adjusting Disc A10V(S)O71 (2.15 mm)	0	B939005-215	
8	Adjusting Disc A10V(S)O71 (2.20 mm)	0	B939005-220	
8	Adjusting Disc A10V(S)O71 (2.25 mm)	0	B939005-225	
8	Adjusting Disc A10V(S)O71 (2.30 mm)	0	B939005-230	
8	Adjusting Disc A10V(S)O71 (2.35 mm)	0	B939005-235	
8	Adjusting Disc A10V(S)O71 (2.40 mm)	0	B939005-240	
8	Adjusting Disc A10V(S)O71 (2.45 mm)	0	B939005-245	
8	Adjusting Disc A10V(S)O71 (2.50 mm)	0	B939005-250	

■ Contained in Rotary group Kit 5140-635-012

◆ Contained in Rotary group Kit 5140-635-011

## Variable Displacement Pump A10VO71, Series 30



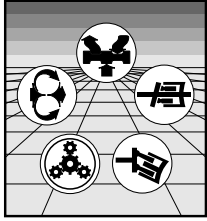
# MANNESMANN REXROTH

Assembly Number  
**A10V(S)O71**

Item	Description	Qty	Part Number	Code
8	Adjusting Disc A10V(S)O71 (2.55 mm)	0	B939005-255	
8	Adjusting Disc A10V(S)O71 (2.60 mm)	0	B939005-260	
8	Adjusting Disc A10V(S)O71 (2.65 mm)	0	B939005-265	
8	Adjusting Disc A10V(S)O71 (2.70 mm)	0	B939005-270	
8	Adjusting Disc A10V(S)O71 (2.75 mm)	0	B939005-275	
8	Adjusting Disc A10V(S)O71 (2.80 mm)	0	B939005-280	
8	Adjusting Disc A10V(S)O71 (2.85 mm)	0	B939005-285	
8	Adjusting Disc A10V(S)O71 (2.90 mm)	0	B939005-290	
8	Adjusting Disc A10V(S)O71 (2.95 mm)	0	B939005-295	
9	Bearing-Tapered Roller	1	70109-007	▲
10	Bearing-Tapered Roller	1	70109-008	▲
11	Bearing-Cradle	2	BH00902777	▲
12	Seal-Shaft (Buna)	1	BH00727229	*
12	Seal-Shaft (Viton)	1	BH00764701	★
13	O-Ring (75/80 Duro Buna 2.5 x 195)	1	68111-033	*
13	O-Ring (75/80 Duro Viton 2.5 x 195)	1	68112-002	★
14	O-Ring (75/80 Duro Buna 17 x 2.0)	4	68111-026	*
14	O-Ring (75/80 Duro Viton 17 x 2.0)	4	68112-001	★
15	Seeger V-Ring	1	BH00791555	
16	Cap Screw (M14 x 40 DIN 912-10.9)	4	60119-160	
17	Control Valve Assembly, DFR (Buna)	1	BH00907094	
17	Control Valve Assembly, DR (Buna)	1	BH00907095	
17	Control Valve Assembly, DFR1 (Buna)	1	BH00907096	
17	Control Valve Assembly, DFR (Viton)	1	BH00907371	
17	Control Valve Assembly, DR (Viton)	1	BH00907370	
17	Control Valve Assembly, DFR1 (Viton)	1	BH00908384	
18	Plug (SAE 7/8-14) (Buna)	1	76107-010	
18	Plug (SAE 7/8-14) (Viton)	1	76122-010	
18a	O-Ring (90 Duro Buna, PRP 910)	1	68105-910	* ▸
18a	O-Ring (90 Duro Viton, PRP 910)	1	68106-910	★ □

- \* Contained in Buna Seal Kit 5140-635-005
- ★ Contained in Viton Seal Kit 5140-635-007
- ▲ Contained in Bearing Kit 5140-635-014
- Included with 76107-010
- Included with 76122-010

Variable Displacement Pump A10VO71, Series 30



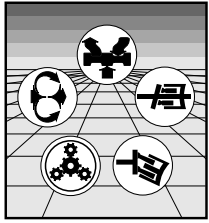
# MANNESMANN REXROTH

Assembly Number  
**A10V(S)O71**

Item	Description	Qty	Part Number	Code
19	Dowel Pin (6 x 18 mm DIN 6325)	1	69116-004	
20	Plug (Buna M10 x 1.0 DIN 3852)	1	76116-004	*
20	Plug (Viton M10 x 1.0 DIN 3852)	1	76123-002	★
21	Key	1	BH00749273	
22	Coupling A10VO71/30-K01	1	BH00943545	
22	Coupling A10VO71/30-K02	1	BH00943547	
22	Coupling A10VO71/30-K03	1	BH00795682	
22	Coupling A10VO71/30-K04	1	BH00943548	
22	Coupling A10VO71/30-K05	1	BH00764906	
22	Coupling A10VO71/30-K07	1	BH00943549	
22	Coupling A10VO71/30-K08	1	BH00766895	
23	Cap Screw (M10 x 25 DIN 912-8.8) K01	2	60118-111	
23	Cap Screw (M12 x 30 DIN 912-8.8) K02, K03, K04	2	60118-139	
23	Cap Screw (M16 x 40 DIN 912-8.8) K07, K08	2	60118-190	
24	O-Ring (75/80 Duro Buna 2 x 83) K01	1	68111-042	*
24	O-Ring (75/80 Duro Viton 2 x 83) K01	1	68112-167	★
24	O-Ring (75/80 Duro Buna 2 x 103) K02, K03, K04	1	68111-208	*
24	O-Ring (75/80 Duro Viton 2 x 103) K02, K03, K04	1	68112-165	★
24	O-Ring (75/80 Duro Buna 2 x 128) K07, K08	1	68111-212	*
24	O-Ring (75/80 Duro Viton 2 x 128) K07, K08	1	68112-166	★
25	Plug (Buna M10 x 1.0 DIN 3852)	1	76116-004	*
25	Plug (Viton M10 x 1.0 DIN 3852)	1	76123-002	★

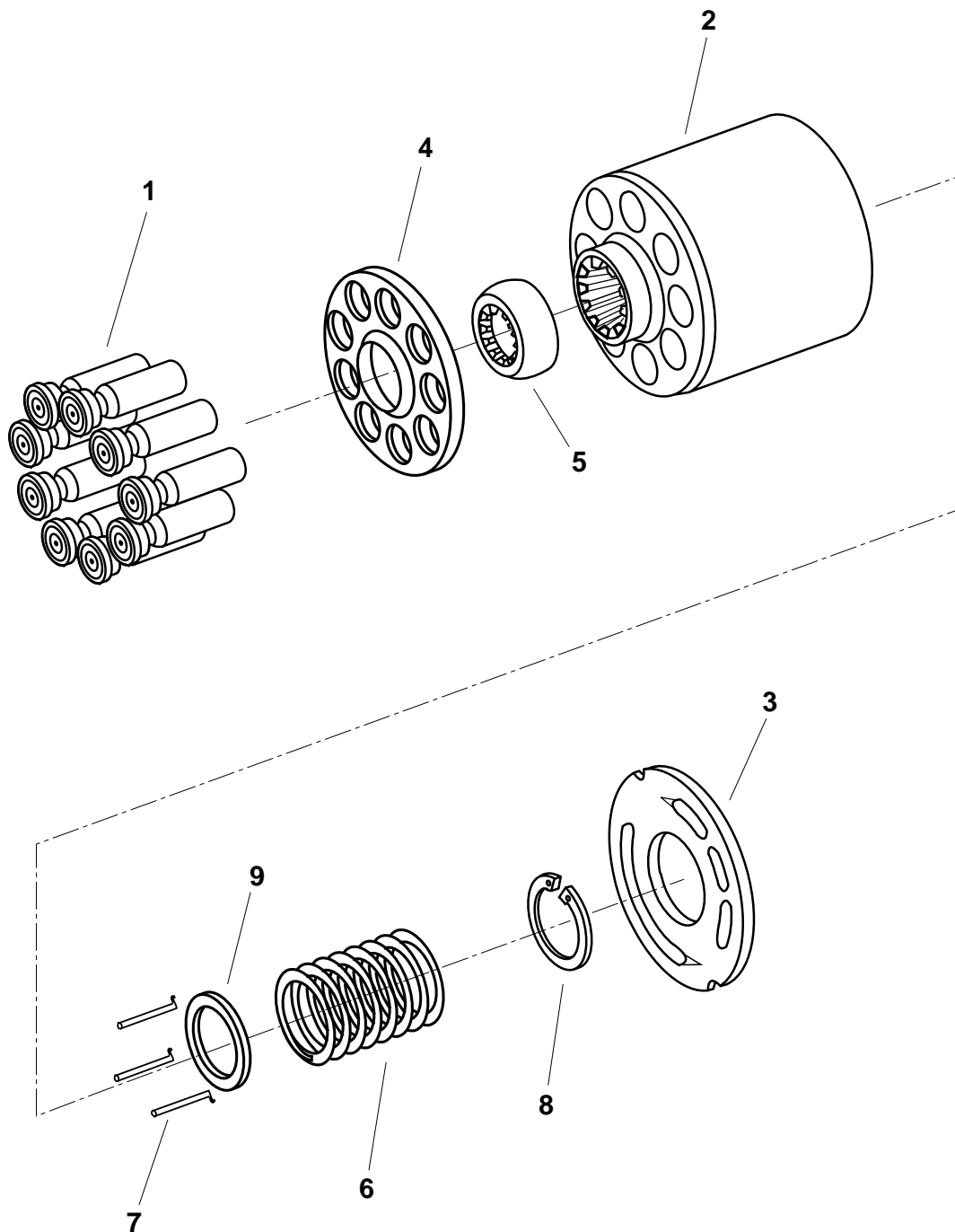
\* **Contained in Buna Seal Kit 5140-635-005**

★ **Contained in Viton Seal Kit 5140-635-007**



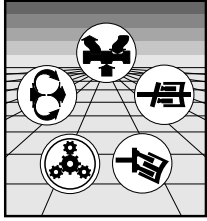
# MANNESMANN REXROTH

Assembly Number  
**BH00911929**





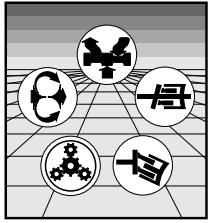
Variable Displacement Pump A10VO71, Series 30



# MANNESMANN REXROTH

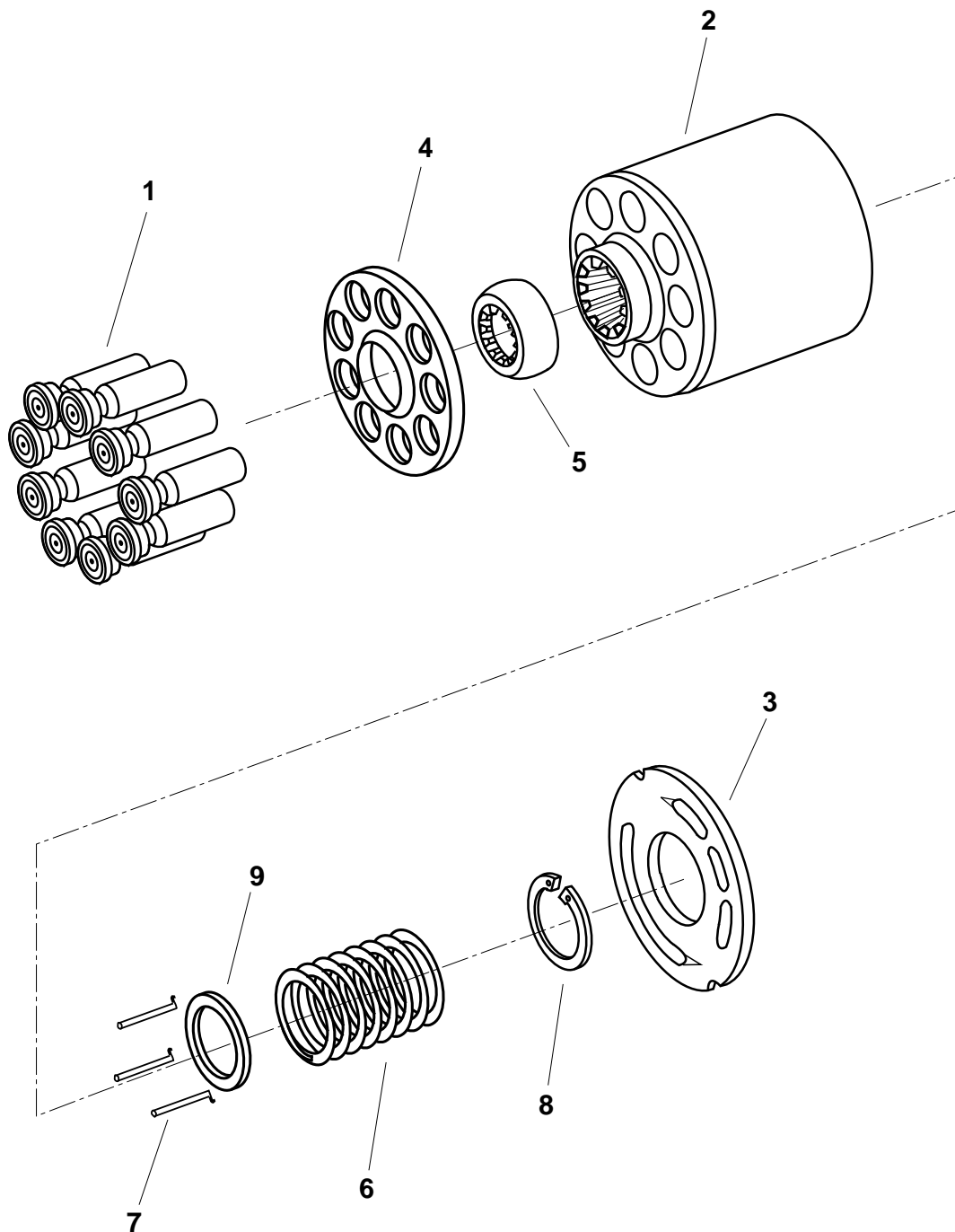
Assembly Number  
**BH00911929**

Item	Description	Qty	Part Number	Code
1	Piston	9	BH00720011	
2	Barrel A10V71	1	BH00907126	
3	Lens Plate A10V71/30L	1	BH00924381	
4	Retaining Plate	1	BH00919813	
5	Retaining Ball	1	BH00749745	
6	Spring	1	BH00720178	
7	Pressure Pin	3	BH00785423	
8	Retaining Ring 45 x 1.75	1	BH00919038	
9	Disc-Retaining Clip 32 x 45 x 2.5	1	BH00720186	

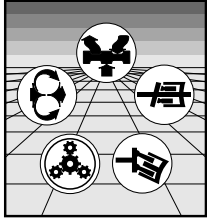


# MANNESMANN REXROTH

Assembly Number  
**BH00956007**



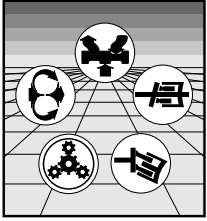
Variable Displacement Pump A10VO71, Series 30



# MANNESMANN REXROTH

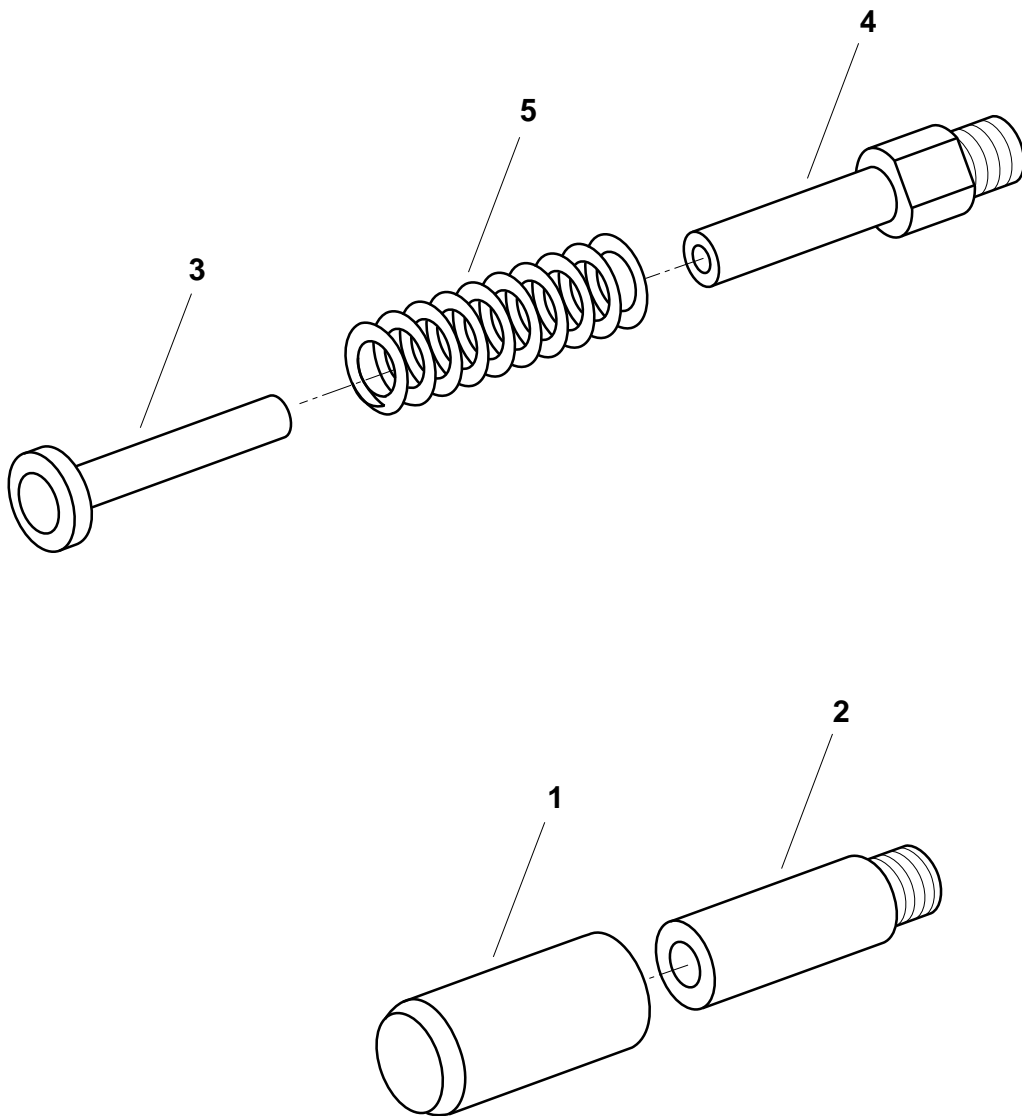
Assembly Number  
**BH00956007**

Item	Description	Qty	Part Number	Code
1	Piston	9	BH00720011	
2	Barrel A10V71	1	BH00907126	
3	Lens Plate A10V71/30R	1	BH00936641	
4	Retaining Plate	1	BH00919813	
5	Retaining Ball	1	BH00749745	
6	Spring	1	BH00720178	
7	Pressure Pin	3	BH00785423	
8	Retaining Ring 45 x 1.75	1	BH00919038	
9	Disc-Retaining Clip 32 x 45 x 2.5	1	BH00720186	

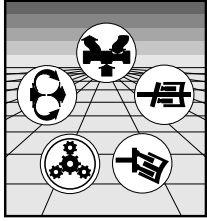


**MANNESMANN  
REXROTH**

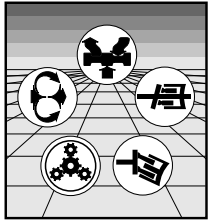
Assembly Number  
**BH00910873**



Variable Displacement Pump A10VO71, Series 30

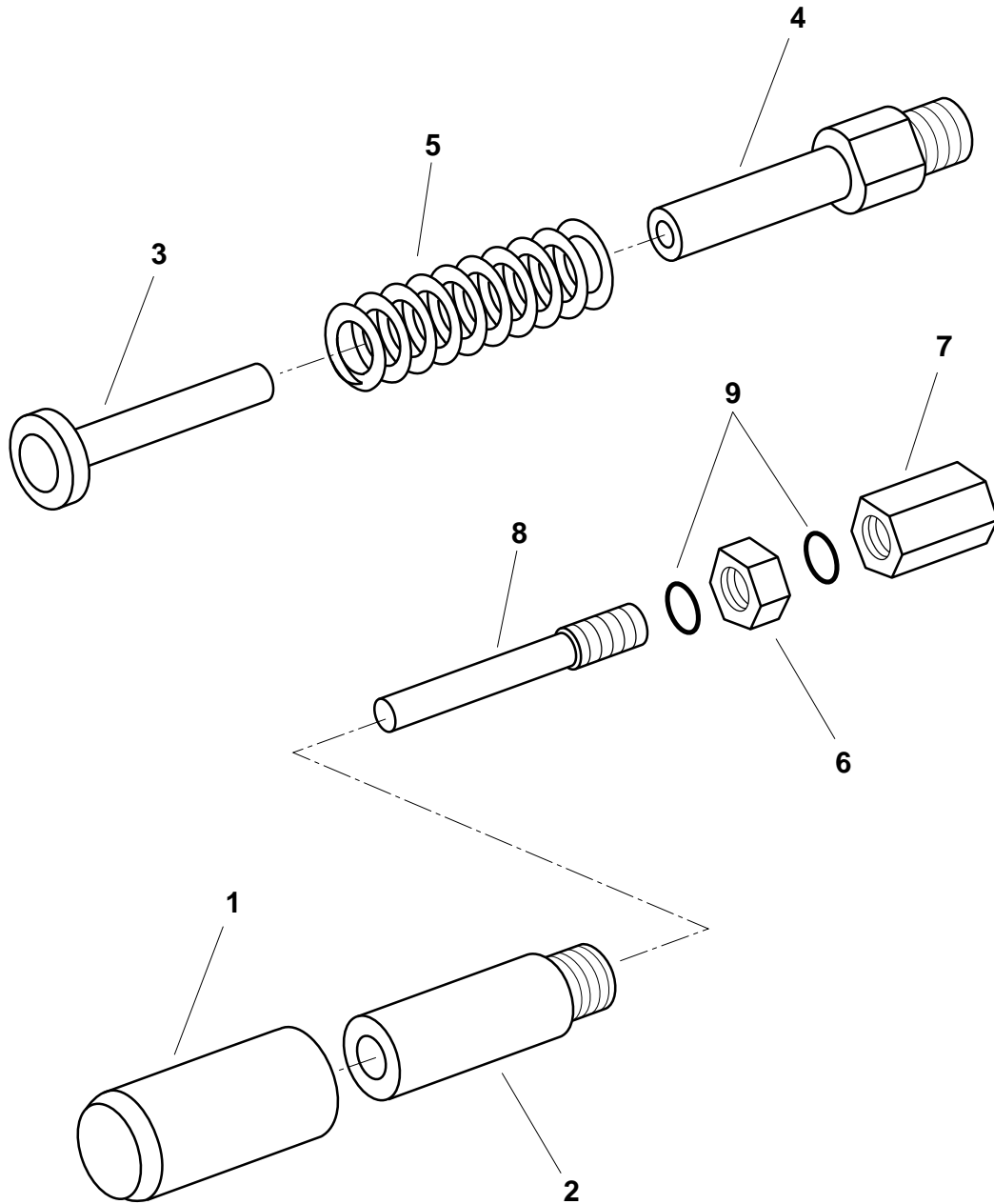
**MANNESMANN  
REXROTH**Assembly Number  
**BH00910873**

Item	Description	Qty	Part Number	Code
1	Control Piston	1	BH00910642	
2	Control Piston Guide	1	BH00910644	
3	Counter Piston	1	BH00908935	
4	Counter Piston Guide	1	BH00737305	
5	Spring	1	BH00790052	

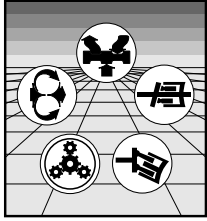


# MANNESMANN REXROTH

Assembly Number  
**BH00910870**



Variable Displacement Pump A10VO71, Series 30

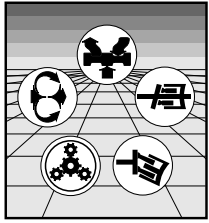


# MANNESMANN REXROTH

Assembly Number  
**BH00910870**

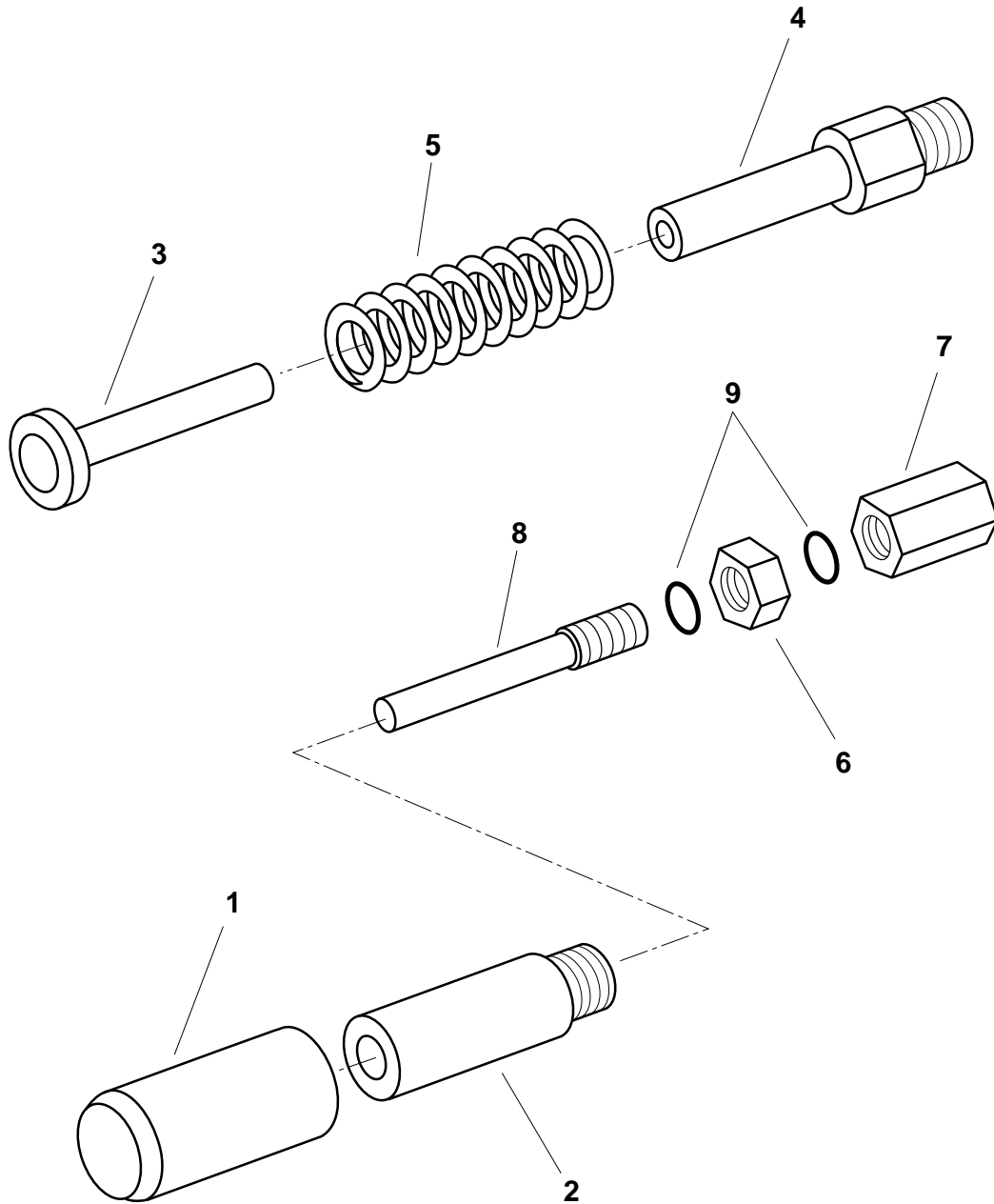
Item	Description	Qty	Part Number	Code
1	Control Piston	1	BH00910642	
2	Control Piston Guide	1	BH00911035	
3	Counter Piston	1	BH00908935	
4	Counter Piston Guide	1	BH00737305	
5	Spring	1	BH00790052	
6	Lock Nut	1	BH00903387	
7	Acorn Nut	1	BH00903389	
8	Screw, Max volume adjustment	1	BH00904681	
9	O-Ring (90 Duro Buna PRP-016)	2	68104-016	*

\* Contained in Buna Seal Kit 5140-635-005



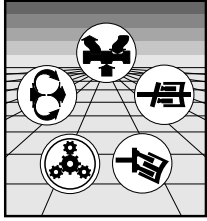
# MANNESMANN REXROTH

Assembly Number  
**BH00916310**





Variable Displacement Pump A10VO71, Series 30

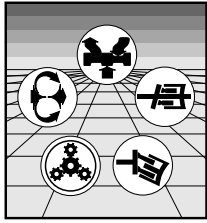


# MANNESMANN REXROTH

Assembly Number  
**BH00916310**

Item	Description	Qty	Part Number	Code
1	Control Piston	1	BH00910642	
2	Control Piston Guide	1	BH00911035	
3	Counter Piston	1	BH00908935	
4	Counter Piston Guide	1	BH00737305	
5	Spring	1	BH00790052	
6	Lock Nut	1	BH00903387	
7	Acorn Nut	1	BH00903389	
8	Screw, Max volume adjustment	1	BH00904681	
9	O-Ring (90 Duro Viton PRP-015)	2	68109-016	★

★ **Contained in Viton Seal Kit 5140-635-007**

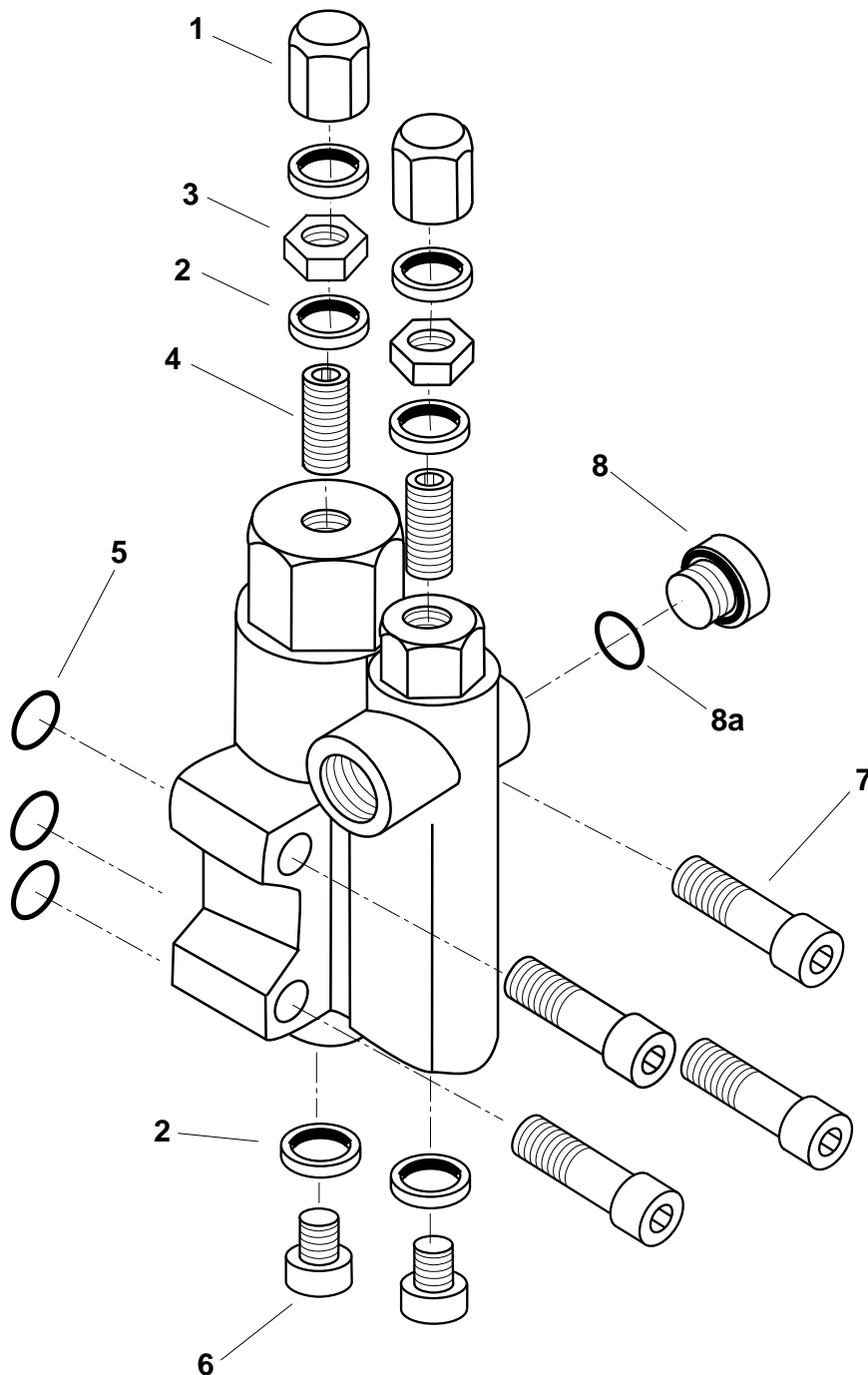


# MANNESMANN REXROTH

Assembly Number

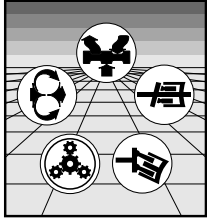
Buna: **BH00907094, BH00907095, BH00907096**

Viton: **BH00907370, BH00907371, BH00908384**



**Item 9:** (Not Shown) DFR1 Plug

Variable Displacement Pump A10VO71, Series 30



# MANNESMANN REXROTH

Assembly Number

Buna: **BH00907094, BH00907095, BH00907096**Viton: **BH00907370, BH00907371, BH00908384**

Item	Description	Qty	Part Number	Code
1	Acorn Nut (M8 x 1)	2	BH00913805	
2	Usit Ring Buna (9.3 x 13.3 x 10)	6	BH00114774	*
2	Usit Ring Viton (9.3 x 13.3 x 10)	6	BH00642827	★
3	Jam Nut (M8 x 1)	2	BH00913806	
4	Adjusting Screw (M8 x 1)	2	BH00913807	
5	O-Ring (90 Duro Buna PRP-011)	3	68104-011	*
5	O-Ring (90 Duro Viton PRP-011)	3	68109-011	★
6	Plug (M8 x 1)	2	76118-009	
7	Cap Screw (M6 x 30 DIN 912-10.9)	4	60119-058	
8	Plug (SAE 7/16-20) (Buna)	1	76107-004	
8	Plug (SAE 7/16-20) (Viton)	1	76122-004	
8a	O-Ring (90 Duro Buna, PRP-904)	1	68105-904	*
8a	O-Ring (75 Duro Viton, PRP-904)	1	68106-904	★
9	Plug (DFR1) M4 x 4	1	60137-016	

\* **Contained in Seal Kit 5140-635-005**★ **Contained in Seal Kit 5140-635-007**

Variable Displacement Pump A10VO71, Series 30

**Specifications, descriptions, and illustrative material shown herein were as accurate as known at the time this publication was printed. Rexroth reserves the right to discontinue models or options at any time or to change specifications, materials, or designs without notice and without incurring obligation.**

**Optional equipment and accessories may add cost to the basic unit, and some options are available only in combination with certain models or other options.**

DISTRIBUTED BY:



The Rexroth Corporation  
*Mobile Hydraulics Division*, 1700 Old Mansfield Road, Wooster, OH 44691-0394 Tel. (216) 263-3400 Fax: 216-263-3333  
*Industrial Hydraulics Division*, 2315 City Line Road, Bethlehem, PA 18017-2131 Tel. (215) 694-8300 Fax: 215-694-8467