

Spare parts list

Product Unit
Axial Piston UnitsPart No.: R902004814
Designation: A11VO75DRS+A11VO75DRS

Drawing no.: R902010163

Pos.	Part No.	Designation	Quantity	
1	R902004818	A11VO75DRS/10R-NTD12K81	1 ST	L
2	R902004822	A11VO75DRS/10R-NZD12N00	1 ST	L
20	R909083154	SOCKET-HEAD SCREW	4 ST	

Safety Notes:

Service – and repair works have to be carried out by the Bosch Rexroth AG or their repair stations only. We do not grant any warranty for defects due to assembly, maintenance or repair not effected by the Bosch Rexroth AG or their repair stations.

L = Assembly group D = Sealing element

Status of version: 3/2006

Page: 1

Date: 22.03.2006

Spare parts list

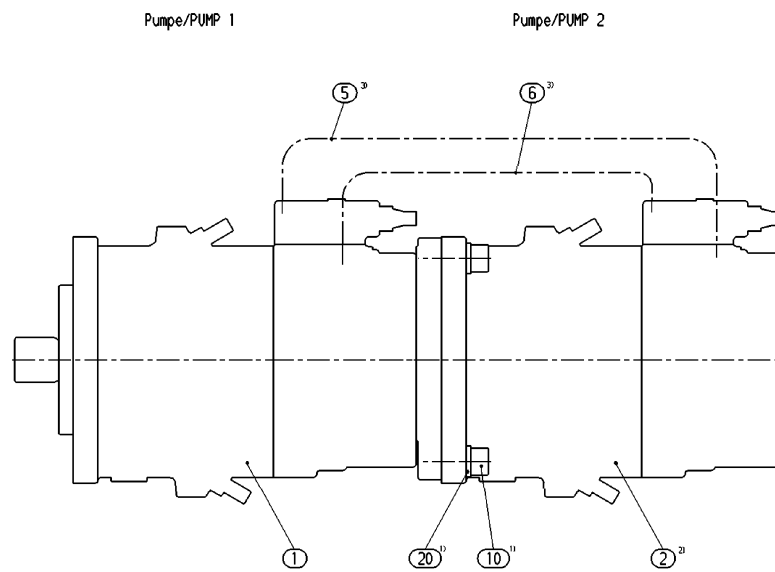
Part No.: R902004814

Designation: A11VO75DRS+A11VO75DRS

Product Unit

Axial Piston Units

Drawing no.: R902010163



- 1) Befestigungsschrauben und Scheiben nach Stückliste
CLAMPING BOLT AND DISCS BY PART LIST
- 2) Anbauweise: Pumpe 2 Montageanweisung nach Kundenwunsch im Gespräch mit Kundendienst 16.JW-0020163
Montagehinweise für Zehnteilpumpen
Zehnteilpumpen (Lang, Normalbauweise)
POSITION OF ASSEMBLY: PUMP 2 ACCORD TO CUSTOMER REQUEST AFTER SELECTION SHEET 16.JW-0041045
ASSEMBLY VERSION FOR COMBINATION PUMP
DRAWING PICTURE: "NORMAL POSITION OF ASSEMBLY"
- 3) Hydraulikleitung nach Stückliste
HYDRAULIC LINE ALTERNATIVELY AS PER PARTS LIST

Spare parts list

Product Unit

Axial Piston Units

Part No.: R902004818

Designation: A11VO75DRS/10R-NTD12K81

Drawing no.: R909712796

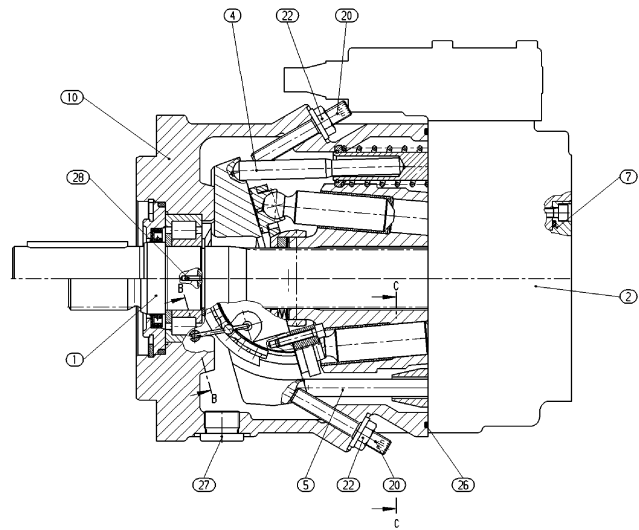
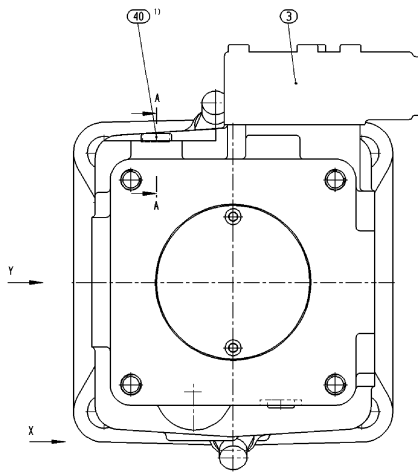
Pos.	Part No.	Designation	Quantity	
1	R902044385	ROTARY GROUP, RIGHT-HAND ROTATION	1 ST	L
2	R909609075	PORT PLATE WITH ACCESSORIES	1 ST	L
3	R909446695	REGULATOR	1 ST	L
4	R909446456	CONTROL, HYDRAULIC	1 ST	L
5	R909441528	CONTROL, HYDRAULIC	1 ST	L
7	R909602950	PUMP SUPPORT PLATE	1 ST	L
10	R909443002	HOUSING	1 ST	
11	R909443013	JOINT PIN	4 ST	
20	R909449078	THREADED PIN	2 ST	
22	R909152426	SEAL LOCK NUT	2 ST	D
24	R909153364	LOCKING SCREW	4 ST	D
25	R909153934	SOCKET-HEAD SCREW	4 ST	
26	R902601020	KANTSEAL-RG.	1 ST	D
27	R909151694	LOCKING SCREW	2 ST	D
28	R909156579	CLAMPING PIN	1 ST	D
40	R909151979	LOCKING SCREW	1 ST	D
98	R902095605	SEAL KIT, COMPLETE	1 ST	L

Spare parts list

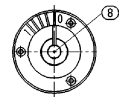
Product Unit
Axial Piston Units

Part No.: R902004818
Designation: A11VO75DRS/10R-NTD12K81

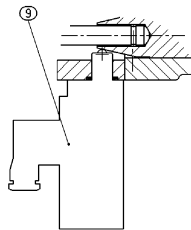
Drawing no.: R909712796



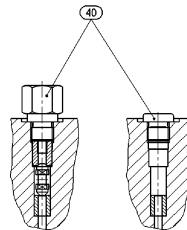
Y
Nur bei Ausführung:
A11VO60/22/111-XXXXV



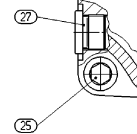
X
Nur bei Ausführung:
A11VO60/22/111-XXXXE



A-A
1) Ausführungsvariante nach Stückliste
Pos. 2400 Anschluß G mit Wechselventil
Pos. 4400 Anschluß G mit V-Schraube



B-B



Spare parts list

Product Unit
Axial Piston Units

Part No.: R902044385
Designation: ROTARY GROUP, RIGHT-HAND ROTATION

Drawing no.: R909703006

Pos.	Part No.	Designation	Quantity	
1	R902044377	CYLINDER WITH CONTROL PLATE	1 ST	
2	R909440191	PISTON-SLIPPER PAD	9 ST	
11	R909400441	CUP-SPRING STACK	1 ST	
12	R909443085	CRADLE	1 ST	
14	R909449602	DRIVE SHAFT	1 ST	
16	R909426176	COVER	1 ST	D
17	R909076233	WIRE	4 ST	
20	R909400444	SHIM	1 ST	
20	R909408057	SHIM	1 ST	
20	R909408058	SHIM	1 ST	
20	R909400443	SHIM	1 ST	
21	R909408057	SHIM	1 ST	
23	R909401842	ROLLER	4 ST	
24	R909443204	RETAINING PLATE	1 ST	
25	R902041871	RETAINING BALL	1 ST	
26	R902066603	BEARING LINER (PAIR)	1 ST	
30	R909443205	RETAINING SEGMENT	2 ST	
31	R909153104	PLAIN ROLLER BEARING	1 ST	
32	R909830740	CRADLE BEARING ASSEMBLY (SET)	1 ST	
36	R909083362	RETAINING RING	1 ST	
37	R909154609	RETAINING RING	1 ST	
38	R909831179	SHAFT SEAL RING	1 ST	D
39	R909083824	O-RING	1 ST	D
47	R909831329	SOCKET-HEAD SCREW	4 ST	
98	R902002457	SEAL KIT DRIVE SHAFT	1 ST	

Spare parts list

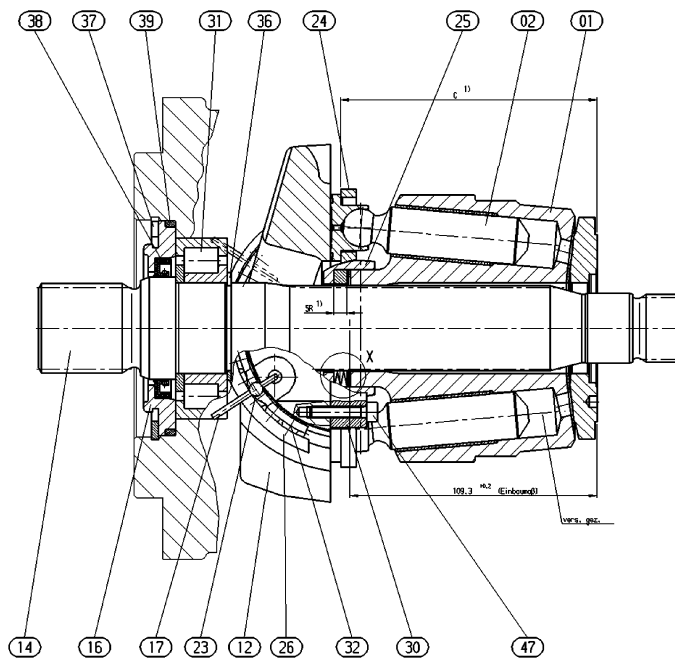
Part No.: R902044385

Designation: ROTARY GROUP, RIGHT-HAND ROTATION

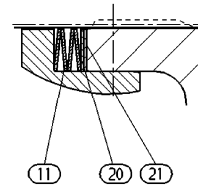
Product Unit

Axial Piston Units

Drawing no.: R909703006



X unanfertig



¹⁾ Abstellmaß C bei $\alpha = 0^\circ$
Absteilung mit Pos. 20, Pos. 21 und Simulierung 3H45.64
C = 113,05 ±0,2

4501
4202

Spare parts listProduct Unit
Axial Piston UnitsPart No.: R909609075
Designation: PORT PLATE WITH ACCESSORIES

Drawing no.: R909705594

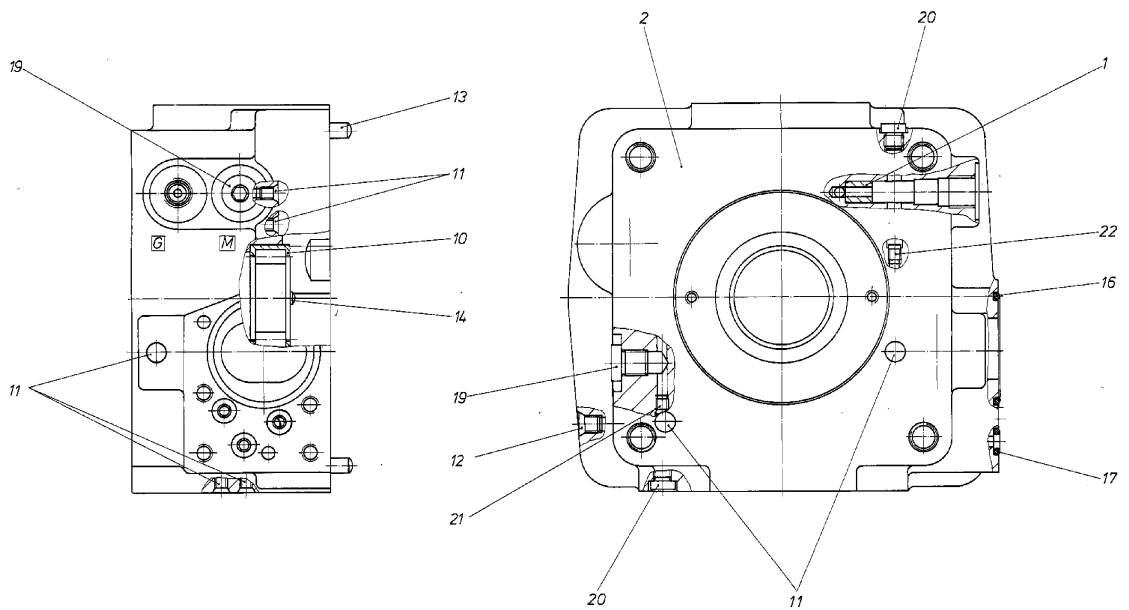
Pos.	Part No.	Designation	Quantity	
2	R909921039	PORT PLATE, RIGHT-HAND ROTAT.	1 ST	
10	R909156309	PLAIN ROLLER BEARING	1 ST	
11	R909831318	DOUBLE BREAK-OFF PIN	4 ST	D
12	R909831319	DOUBLE BREAK-OFF PIN	1 ST	D
13	R909084213	CYLINDER PIN	2 ST	
14	R909087755	CYLINDER PIN	1 ST	D
16	R909086336	O-RING	1 ST	D
17	R902602890	SEAL RING	3 ST	D
19	R909151692	LOCKING SCREW	2 ST	D
20	R909154024	LOCKING SCREW	2 ST	D
21	R909156495	ORIFICE	1 ST	
22	R909156494	ORIFICE	1 ST	D
98	R902002465	SEAL KIT PORT PLATE	1 ST	L

Spare parts list

Product Unit
Axial Piston Units

Part No.: R909609075
Designation: PORT PLATE WITH ACCESSORIES

Drawing no.: R909705594



Spare parts list

Product Unit

Axial Piston Units

Part No.: R902002465

Designation: SEAL KIT PORT PLATE

Drawing no.: R902095511

Pos.	Part No.	Designation	Quantity	
1	R902601020	KANTSEAL-RG.	1 ST	D
2	R909086336	O-RING	1 ST	D
3	R909831385	QUAD BONDET RING	3 ST	D
4	R909084462	O-RING	1 ST	D
5	R909157087	SEAL RING	1 ST	D

Spare parts list

Product Unit

Axial Piston Units

Part No.: R909446695

Designation: REGULATOR

Drawing no.: R909725674

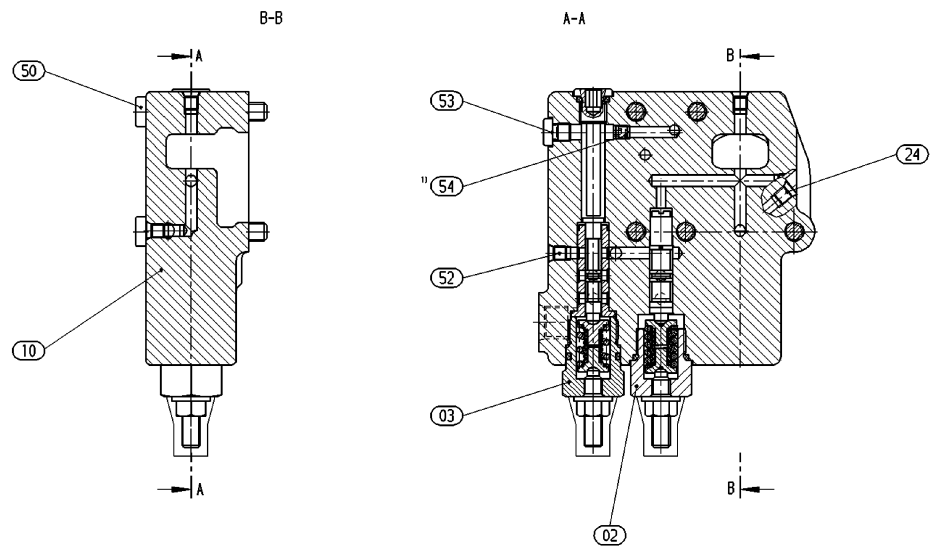
Pos.	Part No.	Designation	Quantity	
2	R909609420	CONTROL ELEMENT	1 ST	L
3	R909608948	CONTROL ELEMENT	1 ST	L
10	R909651089	CONTROL HOUSING	1 ST	
24	R909445306	DOUBLE BREAK-OFF PIN	1 ST	D
50	R909083043	SOCKET-HEAD SCREW	5 ST	
52	R909831318	DOUBLE BREAK-OFF PIN	7 ST	D
53	R909154024	LOCKING SCREW	1 ST	D
54	R909156490	ORIFICE	1 ST	
98	R902002461	SEAL KIT REGULATOR	1 ST	

Spare parts list

Part No.: R909446695
Designation: REGULATOR

Product Unit
Axial Piston Units

Drawing no.: R909725674



1) Anziehdrehmoment MA = 6.5 Nm

Spare parts list

Product Unit

Axial Piston Units

Part No.: R909609420

Designation: CONTROL ELEMENT

Drawing no.: R909725787

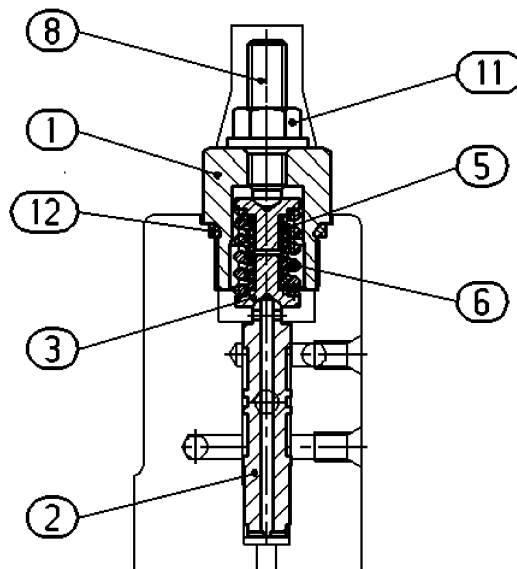
Pos.	Part No.	Designation	Quantity	
1	R909440779	LOCKING SCREW	1 ST	
2	R902004621	CONTROL PISTON	1 ST	
3	R909444160	SPRING BOLT	2 ST	
5	R909436395	PRESSURE SPRING	1 ST	
6	R909436795	PRESSURE SPRING	1 ST	
8	R909444953	THREADED PIN	1 ST	
11	R909152707	SEAL LOCK NUT	1 ST	D
12	R909083758	O-RING	1 ST	D

Spare parts list

Part No.: R909609420
Designation: CONTROL ELEMENT

Product Unit
Axial Piston Units

Drawing no.: R909725787



Spare parts listProduct Unit
Axial Piston UnitsPart No.: R909608948
Designation: CONTROL ELEMENT

Drawing no.: R909725828

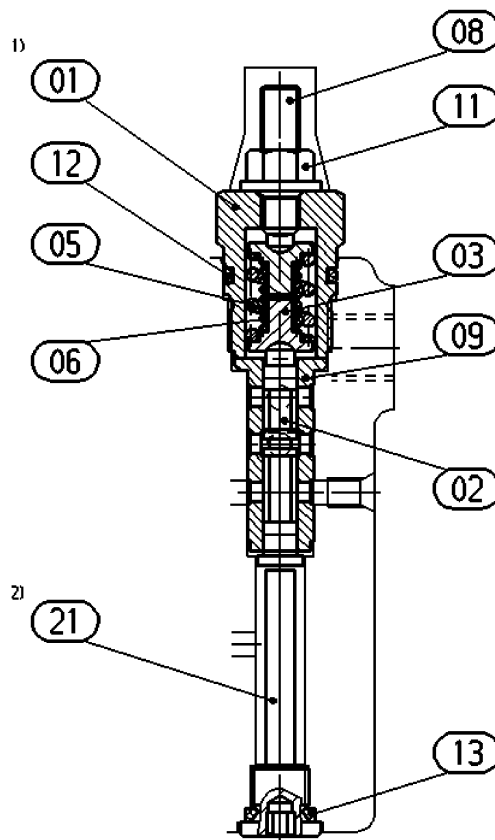
Pos.	Part No.	Designation	Quantity	
1	R902033700	LOCKING SCREW	1 ST	
2	R909449719	CONTROL PISTON	1 ST	
3	R909436839	SPRING BOLT	2 ST	
5	R909436394	PRESSURE SPRING	1 ST	
6	R909436395	PRESSURE SPRING	1 ST	
8	R909444953	THREADED PIN	1 ST	
9	R902004934	CONTROL BUSH	1 ST	
11	R909152707	SEAL LOCK NUT	1 ST	D
12	R909083758	O-RING	1 ST	D
13	R909083749	O-RING	1 ST	D
21	R902029165	LOCKING SCREW	1 ST	

Spare parts list

Part No.: R909608948
Designation: CONTROL ELEMENT

Product Unit
Axial Piston Units

Drawing no.: R909725828



1) Anziehdrehmoment MA = 60 Nm

2) Anziehdrehmoment MA = 20 Nm

Spare parts list

Product Unit

Axial Piston Units

Part No.: R909446456

Designation: CONTROL, HYDRAULIC

Drawing no.: R909730095

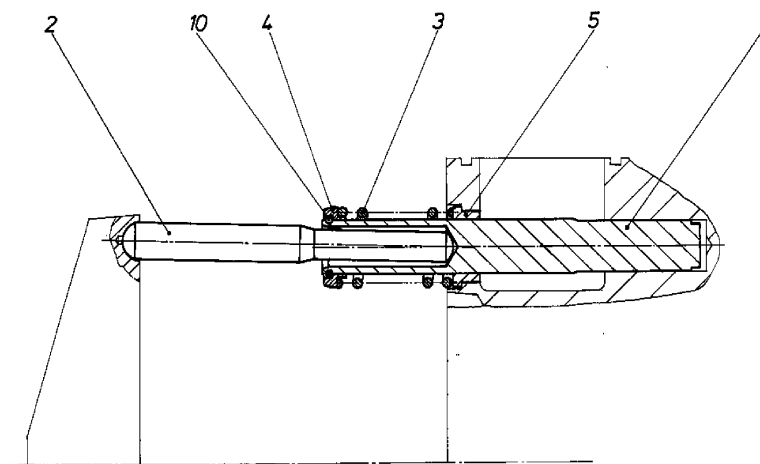
Pos.	Part No.	Designation	Quantity
1	R909445196	POSITIONING PISTON	1 ST
2	R909651006	ROD	1 ST
3	R909443163	PRESSURE SPRING	1 ST
4	R909443007	SPRING COLLAR	1 ST
5	R902025361	BUSH	1 ST
10	R909830741	SNAP RING	1 ST

Spare parts list

Part No.: R909446456
Designation: CONTROL, HYDRAULIC

Product Unit
Axial Piston Units

Drawing no.: R909730095



Spare parts list

Product Unit

Axial Piston Units

Part No.: R909441528

Designation: CONTROL, HYDRAULIC

Drawing no.: R909730097

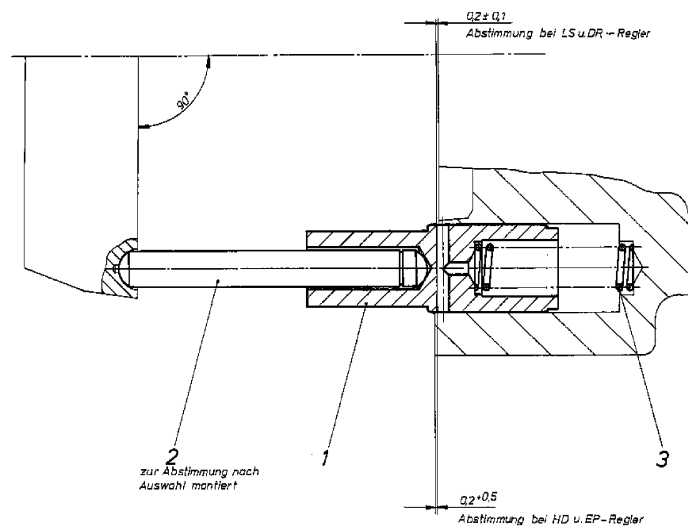
Pos.	Part No.	Designation	Quantity
1	R909651473	RETURN PISTON	1 ST
2	R909651674	RETURN ROD	1 ST
2	R909651675	RETURN ROD	1 ST
2	R902033625	RETURN ROD	1 ST
2	R909651673	RETURN ROD	1 ST
3	R909440771	PRESSURE SPRING	1 ST

Spare parts list

Part No.: R909441528
Designation: CONTROL, HYDRAULIC

Product Unit
Axial Piston Units

Drawing no.: R909730097



Spare parts list

Product Unit

Axial Piston Units

Part No.: R909602950

Designation: PUMP SUPPORT PLATE

Drawing no.: R909732179

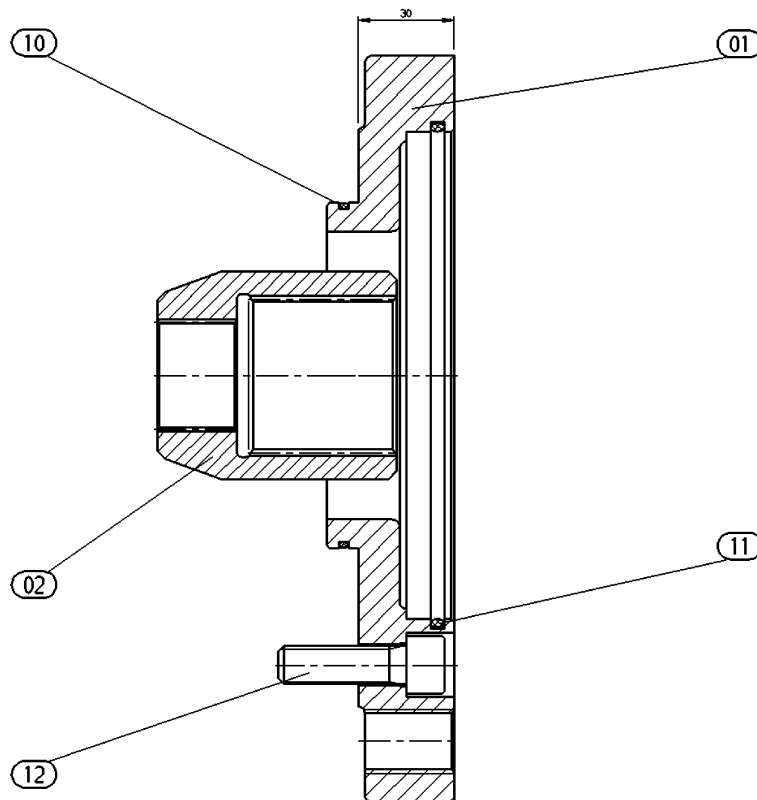
Pos.	Part No.	Designation	Quantity	
1	R909922173	FLANGE	1 ST	
2	R909922174	CLUTCH HUB	1 ST	
10	R909083824	O-RING	1 ST	D
11	R909083832	O-RING	1 ST	D
12	R909083091	SOCKET-HEAD SCREW	4 ST	
98	R902002473	SEAL KIT PUMP SUPPORT PLATE	1 ST	L

Spare parts list

Part No.: R909602950
Designation: PUMP SUPPORT PLATE

Product Unit
Axial Piston Units

Drawing no.: R909732179



Spare parts list

Product Unit
Axial Piston Units

Part No.: R902002473
Designation: SEAL KIT PUMP SUPPORT PLATE

Drawing no.: R902095553

Pos.	Part No.	Designation	Quantity	
1	R909086679	O-RING	1 ST	D
2	R909157997	O-RING	1 ST	D
3	R909083824	O-RING	1 ST	D
4	R909085365	O-RING	1 ST	D
5	R909085364	O-RING	1 ST	D
6	R909083832	O-RING	1 ST	D

Spare parts list

Product Unit

Axial Piston Units

Part No.: R902095605

Designation: SEAL KIT,COMPLETE

Pos.	Part No.	Designation	Quantity	
1	R902002457	SEAL KIT DRIVE SHAFT	1 ST	
2	R902002465	SEAL KIT PORT PLATE	1 ST	L
3	R902002461	SEAL KIT REGULATOR	1 ST	
4	R902002473	SEAL KIT PUMP SUPPORT PLATE	1 ST	L

Spare parts list

Product Unit

Axial Piston Units

Part No.: R902002465

Designation: SEAL KIT PORT PLATE

Drawing no.: R902095511

Pos.	Part No.	Designation	Quantity	
1	R902601020	KANTSEAL-RG.	1 ST	D
2	R909086336	O-RING	1 ST	D
3	R909831385	QUAD BONDET RING	3 ST	D
4	R909084462	O-RING	1 ST	D
5	R909157087	SEAL RING	1 ST	D

Spare parts list

Product Unit

Axial Piston Units

Part No.: R902002473

Designation: SEAL KIT PUMP SUPPORT PLATE

Drawing no.: R902095553

Pos.	Part No.	Designation	Quantity	
1	R909086679	O-RING	1 ST	D
2	R909157997	O-RING	1 ST	D
3	R909083824	O-RING	1 ST	D
4	R909085365	O-RING	1 ST	D
5	R909085364	O-RING	1 ST	D
6	R909083832	O-RING	1 ST	D

Spare parts list

Product Unit
Axial Piston Units

Part No.: R902004822
Designation: A11VO75DRS/10R-NZD12N00

Drawing no.: R909712796

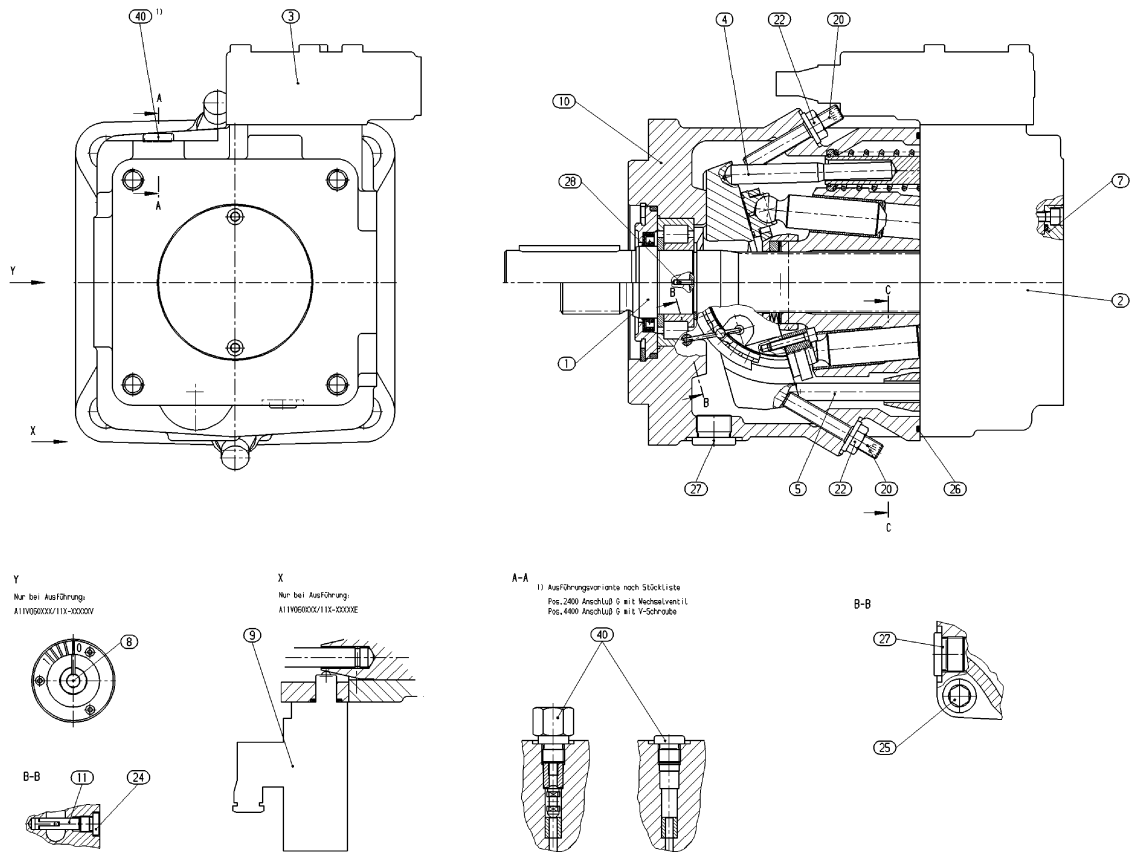
Pos.	Part No.	Designation	Quantity	
1	R902044384	ROTARY GROUP, RIGHT-HAND ROTATION	1 ST	L
2	R909609075	PORT PLATE WITH ACCESSORIES	1 ST	L
3	R909446695	REGULATOR	1 ST	L
4	R909446456	CONTROL, HYDRAULIC	1 ST	L
5	R909441528	CONTROL, HYDRAULIC	1 ST	L
7	R909441156	COVER WITH ACCESSORIES	1 ST	L
10	R909443002	HOUSING	1 ST	
11	R909443013	JOINT PIN	4 ST	
20	R909449078	THREADED PIN	2 ST	
22	R909152426	SEAL LOCK NUT	2 ST	D
24	R909153364	LOCKING SCREW	4 ST	D
25	R909153934	SOCKET-HEAD SCREW	4 ST	
26	R902601020	KANTSEAL-RG.	1 ST	D
27	R909151694	LOCKING SCREW	2 ST	D
28	R909156579	CLAMPING PIN	2 ST	D
40	R909151979	LOCKING SCREW	1 ST	D
98	R902095605	SEAL KIT, COMPLETE	1 ST	L

Spare parts list

Product Unit
Axial Piston Units

Part No.: R902004822
Designation: A11VO75DRS/10R-NZD12N00

Drawing no.: R909712796



Spare parts list

Product Unit
Axial Piston Units

Part No.: R902044384

Designation: ROTARY GROUP, RIGHT-HAND ROTATION

Drawing no.: R909703006

Pos.	Part No.	Designation	Quantity	
1	R902044377	CYLINDER WITH CONTROL PLATE	1 ST	
2	R909440191	PISTON-SLIPPER PAD	9 ST	
11	R909400441	CUP-SPRING STACK	1 ST	
12	R909443085	CRADLE	1 ST	
14	R909443213	DRIVE SHAFT	1 ST	
16	R909426176	COVER	1 ST	D
17	R909076233	WIRE	4 ST	
20	R909400444	SHIM	1 ST	
20	R909408057	SHIM	1 ST	
20	R909408058	SHIM	1 ST	
20	R909400443	SHIM	1 ST	
21	R909408057	SHIM	1 ST	
23	R909401842	ROLLER	4 ST	
24	R909443204	RETAINING PLATE	1 ST	
25	R902041871	RETAINING BALL	1 ST	
26	R902066603	BEARING LINER (PAIR)	1 ST	
30	R909443205	RETAINING SEGMENT	2 ST	
31	R909153104	PLAIN ROLLER BEARING	1 ST	
32	R909830740	CRADLE BEARING ASSEMBLY (SET)	1 ST	
36	R909083362	RETAINING RING	1 ST	
37	R909154609	RETAINING RING	1 ST	
38	R909831179	SHAFT SEAL RING	1 ST	D
39	R909083824	O-RING	1 ST	D
47	R909831329	SOCKET-HEAD SCREW	4 ST	
98	R902002457	SEAL KIT DRIVE SHAFT	1 ST	

Spare parts list

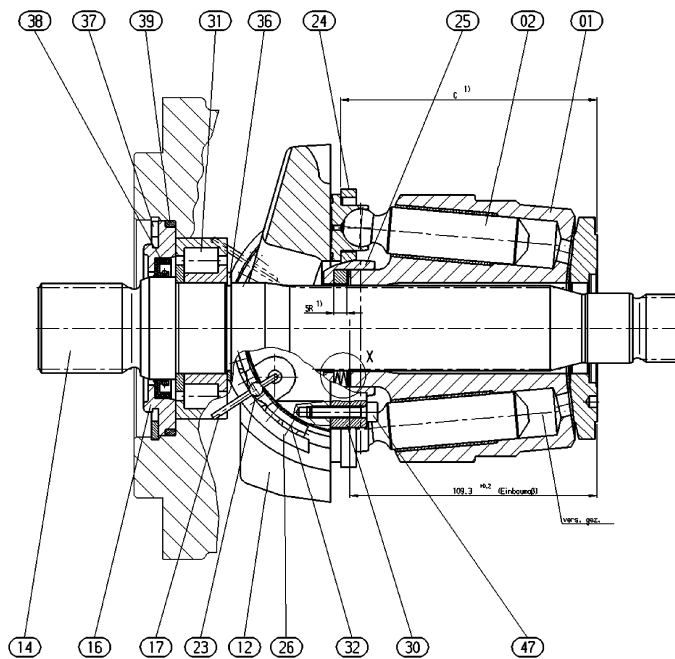
Part No.: R902044384

Designation: ROTARY GROUP, RIGHT-HAND ROTATION

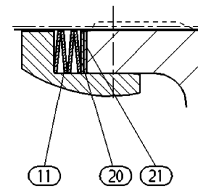
Product Unit

Axial Piston Units

Drawing no.: R909703006



X unanfechtlich



¹⁾ Abstellmaß C bei $\alpha = 0^\circ$
Absteilung mit Pos. 20, Pos. 21 und Simulierung 3H45.64
C = 113,05 ± 0,2

45.01
4.02

Spare parts listProduct Unit
Axial Piston UnitsPart No.: R909609075
Designation: PORT PLATE WITH ACCESSORIES

Drawing no.: R909705594

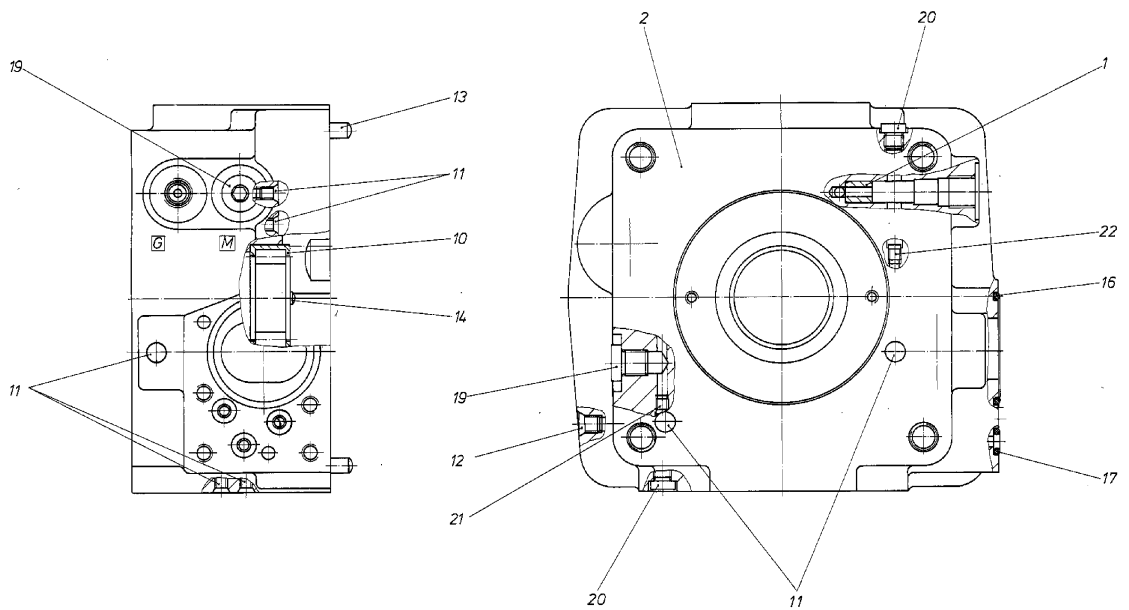
Pos.	Part No.	Designation	Quantity	
2	R909921039	PORT PLATE, RIGHT-HAND ROTAT.	1 ST	
10	R909156309	PLAIN ROLLER BEARING	1 ST	
11	R909831318	DOUBLE BREAK-OFF PIN	4 ST	D
12	R909831319	DOUBLE BREAK-OFF PIN	1 ST	D
13	R909084213	CYLINDER PIN	2 ST	
14	R909087755	CYLINDER PIN	1 ST	D
16	R909086336	O-RING	1 ST	D
17	R902602890	SEAL RING	3 ST	D
19	R909151692	LOCKING SCREW	2 ST	D
20	R909154024	LOCKING SCREW	2 ST	D
21	R909156495	ORIFICE	1 ST	
22	R909156494	ORIFICE	1 ST	D
98	R902002465	SEAL KIT PORT PLATE	1 ST	L

Spare parts list

Product Unit
Axial Piston Units

Part No.: R909609075
Designation: PORT PLATE WITH ACCESSORIES

Drawing no.: R909705594



Spare parts list

Product Unit
Axial Piston Units

Part No.: R902002465
Designation: SEAL KIT PORT PLATE

Drawing no.: R902095511

Pos.	Part No.	Designation	Quantity	
1	R902601020	KANTSEAL-RG.	1 ST	D
2	R909086336	O-RING	1 ST	D
3	R909831385	QUAD BONDET RING	3 ST	D
4	R909084462	O-RING	1 ST	D
5	R909157087	SEAL RING	1 ST	D

Spare parts list

Product Unit

Axial Piston Units

Part No.: R909446695

Designation: REGULATOR

Drawing no.: R909725674

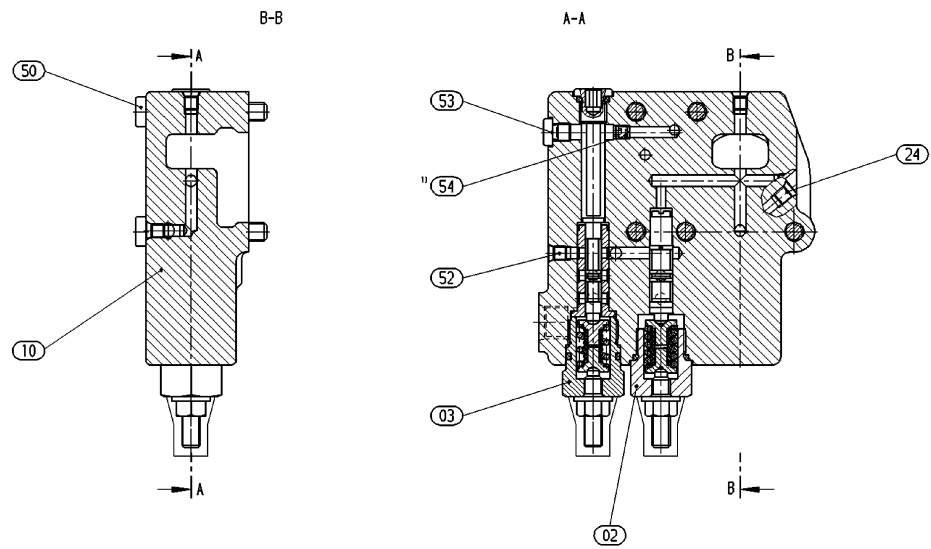
Pos.	Part No.	Designation	Quantity	
2	R909609420	CONTROL ELEMENT	1 ST	L
3	R909608948	CONTROL ELEMENT	1 ST	L
10	R909651089	CONTROL HOUSING	1 ST	
24	R909445306	DOUBLE BREAK-OFF PIN	1 ST	D
50	R909083043	SOCKET-HEAD SCREW	5 ST	
52	R909831318	DOUBLE BREAK-OFF PIN	7 ST	D
53	R909154024	LOCKING SCREW	1 ST	D
54	R909156490	ORIFICE	1 ST	
98	R902002461	SEAL KIT REGULATOR	1 ST	

Spare parts list

Part No.: R909446695
Designation: REGULATOR

Product Unit
Axial Piston Units

Drawing no.: R909725674



1) Anziehdrehmoment MA = 6.5 Nm

Spare parts list

Product Unit

Axial Piston Units

Part No.: R909609420

Designation: CONTROL ELEMENT

Drawing no.: R909725787

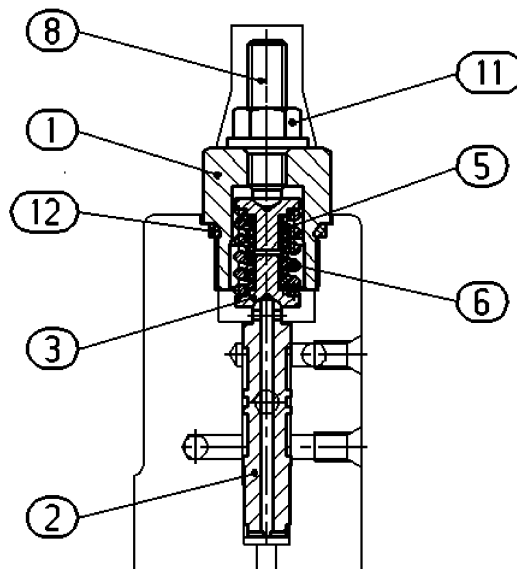
Pos.	Part No.	Designation	Quantity	
1	R909440779	LOCKING SCREW	1 ST	
2	R902004621	CONTROL PISTON	1 ST	
3	R909444160	SPRING BOLT	2 ST	
5	R909436395	PRESSURE SPRING	1 ST	
6	R909436795	PRESSURE SPRING	1 ST	
8	R909444953	THREADED PIN	1 ST	
11	R909152707	SEAL LOCK NUT	1 ST	D
12	R909083758	O-RING	1 ST	D

Spare parts list

Part No.: R909609420
Designation: CONTROL ELEMENT

Product Unit
Axial Piston Units

Drawing no.: R909725787



Spare parts list

Product Unit

Axial Piston Units

Part No.: R909608948

Designation: CONTROL ELEMENT

Drawing no.: R909725828

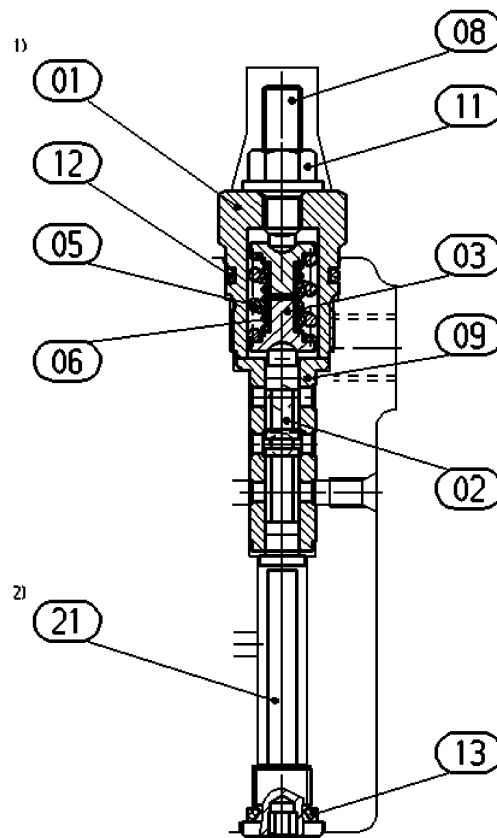
Pos.	Part No.	Designation	Quantity	
1	R902033700	LOCKING SCREW	1 ST	
2	R909449719	CONTROL PISTON	1 ST	
3	R909436839	SPRING BOLT	2 ST	
5	R909436394	PRESSURE SPRING	1 ST	
6	R909436395	PRESSURE SPRING	1 ST	
8	R909444953	THREADED PIN	1 ST	
9	R902004934	CONTROL BUSH	1 ST	
11	R909152707	SEAL LOCK NUT	1 ST	D
12	R909083758	O-RING	1 ST	D
13	R909083749	O-RING	1 ST	D
21	R902029165	LOCKING SCREW	1 ST	

Spare parts list

Part No.: R909608948
Designation: CONTROL ELEMENT

Product Unit
Axial Piston Units

Drawing no.: R909725828



1) Anziehdrehmoment MA = 60 Nm

2) Anziehdrehmoment MA = 20 Nm

Spare parts list

Product Unit

Axial Piston Units

Part No.: R909446456

Designation: CONTROL, HYDRAULIC

Drawing no.: R909730095

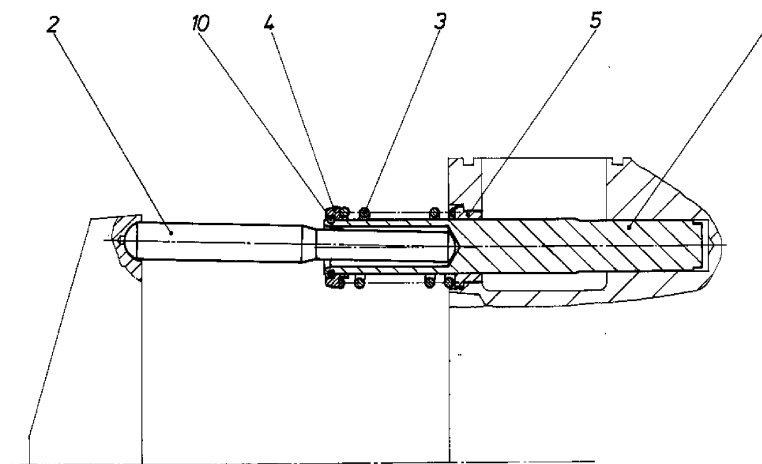
Pos.	Part No.	Designation	Quantity
1	R909445196	POSITIONING PISTON	1 ST
2	R909651006	ROD	1 ST
3	R909443163	PRESSURE SPRING	1 ST
4	R909443007	SPRING COLLAR	1 ST
5	R902025361	BUSH	1 ST
10	R909830741	SNAP RING	1 ST

Spare parts list

Part No.: R909446456
Designation: CONTROL, HYDRAULIC

Product Unit
Axial Piston Units

Drawing no.: R909730095



Spare parts list

Product Unit

Axial Piston Units

Part No.: R909441528

Designation: CONTROL, HYDRAULIC

Drawing no.: R909730097

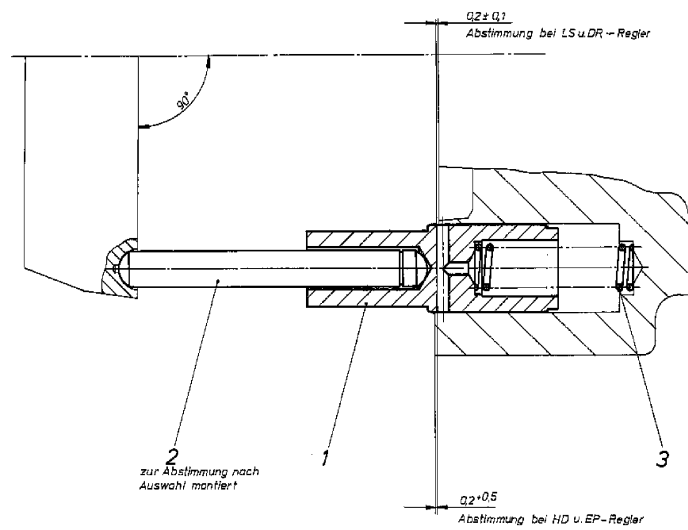
Pos.	Part No.	Designation	Quantity
1	R909651473	RETURN PISTON	1 ST
2	R909651674	RETURN ROD	1 ST
2	R909651675	RETURN ROD	1 ST
2	R902033625	RETURN ROD	1 ST
2	R909651673	RETURN ROD	1 ST
3	R909440771	PRESSURE SPRING	1 ST

Spare parts list

Part No.: R909441528
Designation: CONTROL, HYDRAULIC

Product Unit
Axial Piston Units

Drawing no.: R909730097



Spare parts list

Product Unit
Axial Piston Units

Part No.: R909441156
Designation: COVER WITH ACCESSORIES

Drawing no.: R902096051

Pos.	Part No.	Designation	Quantity	
1	R902088157	COVER	1 ST	
3	R909083018	SOCKET-HEAD SCREW	2 ST	D
4	R909083249	LOCK WASHER	2 ST	
5	R909084462	O-RING	1 ST	D

Spare parts list

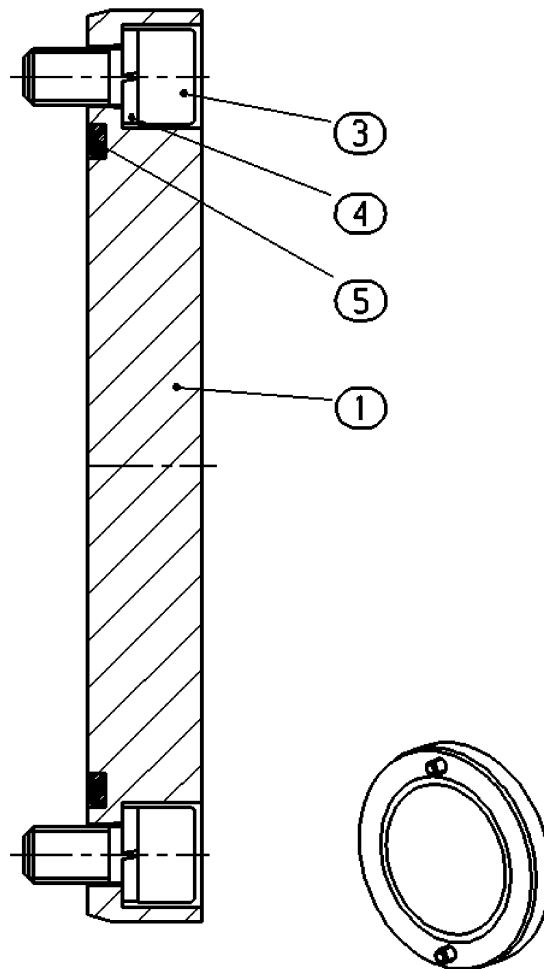
Part No.: R909441156

Designation: COVER WITH ACCESSORIES

Product Unit

Axial Piston Units

Drawing no.: R902096051



Spare parts list

Product Unit

Axial Piston Units

Part No.: R902095605

Designation: SEAL KIT,COMPLETE

Pos.	Part No.	Designation	Quantity	
1	R902002457	SEAL KIT DRIVE SHAFT	1 ST	
2	R902002465	SEAL KIT PORT PLATE	1 ST	L
3	R902002461	SEAL KIT REGULATOR	1 ST	
4	R902002473	SEAL KIT PUMP SUPPORT PLATE	1 ST	L

Spare parts list

Product Unit

Axial Piston Units

Part No.: R902002465

Designation: SEAL KIT PORT PLATE

Drawing no.: R902095511

Pos.	Part No.	Designation	Quantity	
1	R902601020	KANTSEAL-RG.	1 ST	D
2	R909086336	O-RING	1 ST	D
3	R909831385	QUAD BONDET RING	3 ST	D
4	R909084462	O-RING	1 ST	D
5	R909157087	SEAL RING	1 ST	D

Spare parts list

Product Unit

Axial Piston Units

Part No.: R902002473

Designation: SEAL KIT PUMP SUPPORT PLATE

Drawing no.: R902095553

Pos.	Part No.	Designation	Quantity	
1	R909086679	O-RING	1 ST	D
2	R909157997	O-RING	1 ST	D
3	R909083824	O-RING	1 ST	D
4	R909085365	O-RING	1 ST	D
5	R909085364	O-RING	1 ST	D
6	R909083832	O-RING	1 ST	D