

Spare parts listProduct Unit
Axial Piston Units

Part No.: R909428455

Designation: A11VG12MD/10R-428455

G

Drawing no.: R909737367

Pos.	Part No.	Designation	Quantity	
1	R909428330	ROTARY GROUP	1 ST	L
2	R909420387	PORT PLATE WITH VALVES	1 ST	L
5	R909424145	THROUGH DRIVE	1 ST	L
10	R909421388	HOUSING	1 ST	
11	R909430592	HOUSING COVER	1 ST	
14	R909087755	CYLINDER PIN	1 ST	D
20	R909083760	O-RING	1 ST	D
21	R909086495	O-RING	1 ST	D
22	R909157169	RETAINING RING	1 ST	
23	R909087338	CYLINDER PIN	1 ST	D
24	R909151692	LOCKING SCREW	1 ST	D
25	R909153815	LOCKING SCREW	1 ST	D
26	R909150773	CLAMPING PIN	2 ST	

Safety Notes:

Service – and repair works have to be carried out by the Bosch Rexroth AG or their repair stations only. We do not grant any warranty for defects due to assembly, maintenance or repair not effected by the Bosch Rexroth AG or their repair stations.

L = Assembly group D = Sealing element

Status of version: 11/2005

Page: 1

Date: 06.01.2006

Spare parts list

Product Unit
Axial Piston Units

Part No.: R909428330
Designation: ROTARY GROUP

Drawing no.: R909741762

Pos.	Part No.	Designation	Quantity	
1	R909428335	CYLINDER WITH CONTROL PLATE	1 ST	
2	R909418143	PISTON-SLIPPER PAD	7 ST	
11	R909418302	CUP-SPRING STACK	1 ST	
14	R909418223	DRIVE SHAFT	1 ST	
15	R909431564	CRADLE	1 ST	
16	R909418131	COVER	1 ST	D
20	R909418133	SHIM	1 ST	
20	R909418134	SHIM	1 ST	
20	R909418132	SHIM	1 ST	
20	R909418135	SHIM	1 ST	
24	R909431007	RETAINING PLATE	1 ST	
25	R909418124	RETAINING BALL	1 ST	
27	R909422644	BEARING LINER (PAIR)	1 ST	
28	R909422645	BEARING SEGMENT-SET	1 ST	
31	R909156986	PLAIN ROLLER BEARING	1 ST	
36	R909085802	RETAINING RING	1 ST	
37	R909083408	RETAINING RING	1 ST	
38	R909830376	SHAFT SEAL RING	1 ST	D
39	R909151810	O-RING	1 ST	D

Spare parts listProduct Unit
Axial Piston UnitsPart No.: R909420387
Designation: PORT PLATE WITH VALVES

Drawing no.: R909737066

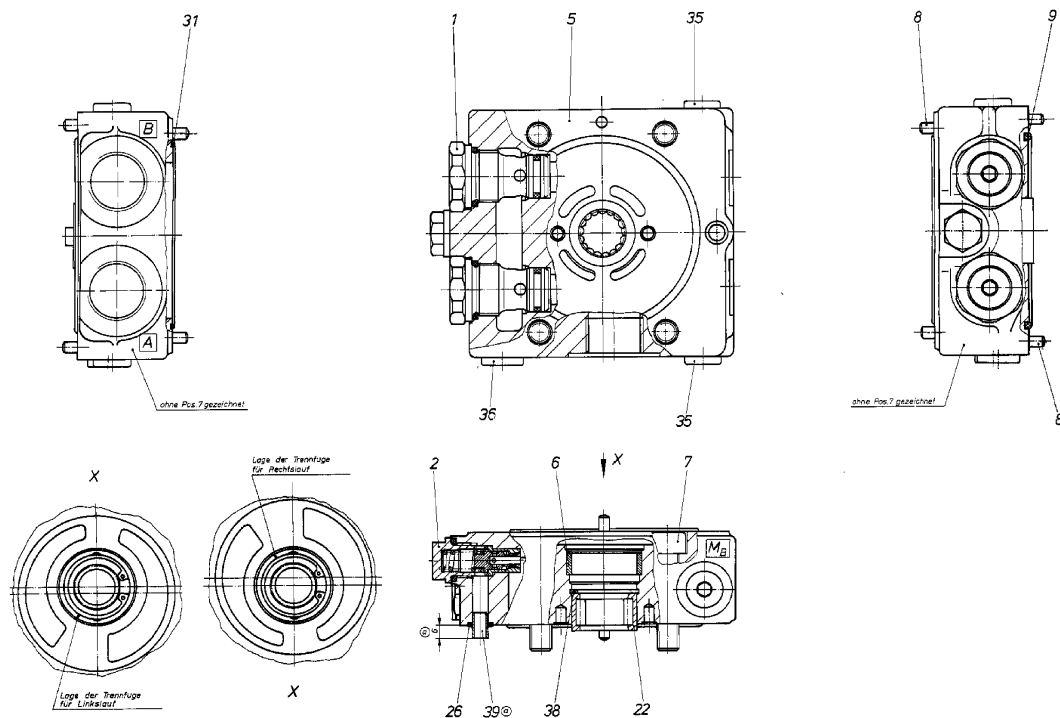
Pos.	Part No.	Designation	Quantity	
1	R909420301	BOOST VALVE	2 ST	L
2	R909433665	PRESSURE RELIEF VALVE	1 ST	L
5	R909432950	PORT PLATE	1 ST	
6	R909432238	BEARING BUSHING	1 ST	
7	R909083066	SOCKET-HEAD SCREW	4 ST	
8	R909157936	CYLINDER PIN	4 ST	
9	R909085360	O-RING	1 ST	D
22	R909156987	PLAIN ROLLER BEARING	1 ST	
26	R909157293	QUAD BONDET RING	2 ST	D
31	R909086720	O-RING	1 ST	D
35	R909151692	LOCKING SCREW	2 ST	D
36	R909151979	LOCKING SCREW	1 ST	D
38	R909083391	RETAINING RING	1 ST	
39	R909156820	CLAMPING PIN	1 ST	

Spare parts list

Part No.: R909420387
Designation: PORT PLATE WITH VALVES

Product Unit
Axial Piston Units

Drawing no.: R909737066



Spare parts list

Product Unit
Axial Piston Units

Part No.: R909420301
Designation: BOOST VALVE

Drawing no.: R909731315

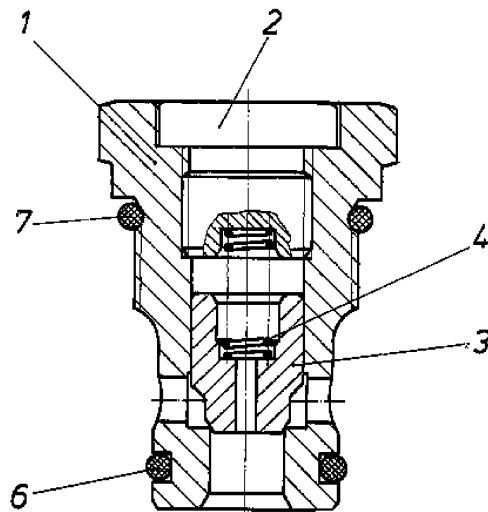
Pos.	Part No.	Designation	Quantity	
1	R909422503	VALVE BUSHING	1 ST	
2	R909420303	LOCKING SCREW	1 ST	
3	R909420304	PISTON	1 ST	
4	R909420305	PRESSURE SPRING	1 ST	
6	R909083753	O-RING	1 ST	D
7	R909083760	O-RING	1 ST	D

Spare parts list

Part No.: R909420301
Designation: BOOST VALVE

Product Unit
Axial Piston Units

Drawing no.: R909731315



Spare parts list

Product Unit

Axial Piston Units

Part No.: R909433665

Designation: PRESSURE RELIEF VALVE

Drawing no.: R909730844

Pos.	Part No.	Designation	Quantity	
1	R909432814	LOCKING SCREW	1 ST	
2	R909432815	VALVE PISTON	1 ST	
3	R909432816	BUSH	1 ST	
4	R909419332	PRESSURE SPRING	1 ST	
6	R909083753	O-RING	1 ST	D
7	R909157954	SHIM	1 ST	
7	R909157955	SHIM	1 ST	
7	R909157953	SHIM	1 ST	

Spare parts list

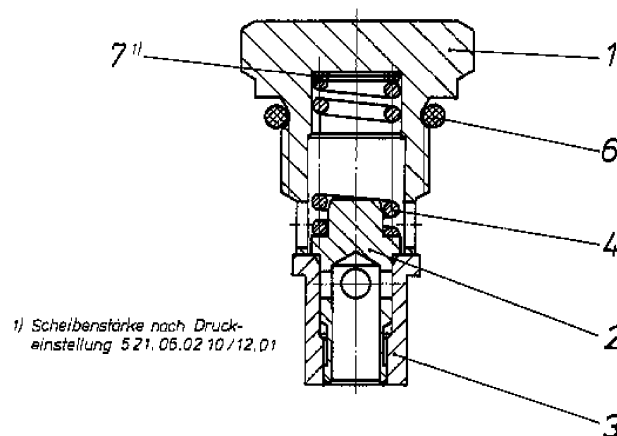
Part No.: R909433665

Designation: PRESSURE RELIEF VALVE

Product Unit

Axial Piston Units

Drawing no.: R909730844



Spare parts list

Product Unit

Axial Piston Units

Part No.: R909424145
Designation: THROUGH DRIVE

Drawing no.: R909740870

Pos.	Part No.	Designation	Quantity	
1	R909419209	INTERMEDIATE FLANGE	1 ST	
2	R909419203	THROUGH-DRIVE SHAFT	1 ST	
3	R909419171	BEARING BUSHING	1 ST	
4	R909435535	GASKET	1 ST	D
5	R909430171	SEAL RING	1 ST	
10	R909083036	SOCKET-HEAD SCREW	4 ST	
11	R909083250	LOCK WASHER	4 ST	
13	R909154427	CLAMPING PIN	2 ST	

Spare parts list

Part No.: R909424145
Designation: THROUGH DRIVE

Product Unit
Axial Piston Units

Drawing no.: R909740870

