

Spare parts listProduct Unit
Axial Piston Units

Part No.: R909601422

Designation: A11VG19MD1/10L-PSC16K011E *G*

Drawing no.: R909709776

Pos.	Part No.	Designation	Quantity	
1	R909438459	ROTARY GROUP	1 ST	L
2	R909433642	PORT PLATE WITH VALVES	1 ST	L
5	R909434233	PUMP SUPPORT PLATE	1 ST	L
10	R909436386	HOUSING	1 ST	
11	R909436152	HOUSING COVER	1 ST	
14	R909087755	CYLINDER PIN	1 ST	D
20	R909083760	O-RING	1 ST	D
21	R909086495	O-RING	1 ST	D
22	R909157169	RETAINING RING	1 ST	
23	R909087338	CYLINDER PIN	1 ST	D
25	R909153815	LOCKING SCREW	1 ST	D
26	R909831763	CLAMPING PIN	2 ST	
27	R909152725	SEAL RING	1 ST	D
30	R909436089	LOCKING SCREW	1 ST	
31	R909436088	JOINT PIN	2 ST	

Safety Notes:

Service – and repair works have to be carried out by the Bosch Rexroth AG or their repair stations only. We do not grant any warranty for defects due to assembly, maintenance or repair not effected by the Bosch Rexroth AG or their repair stations.

L = Assembly group D = Sealing element

Status of version: 3/2006

Page: 1

Date: 20.03.2006

Spare parts list

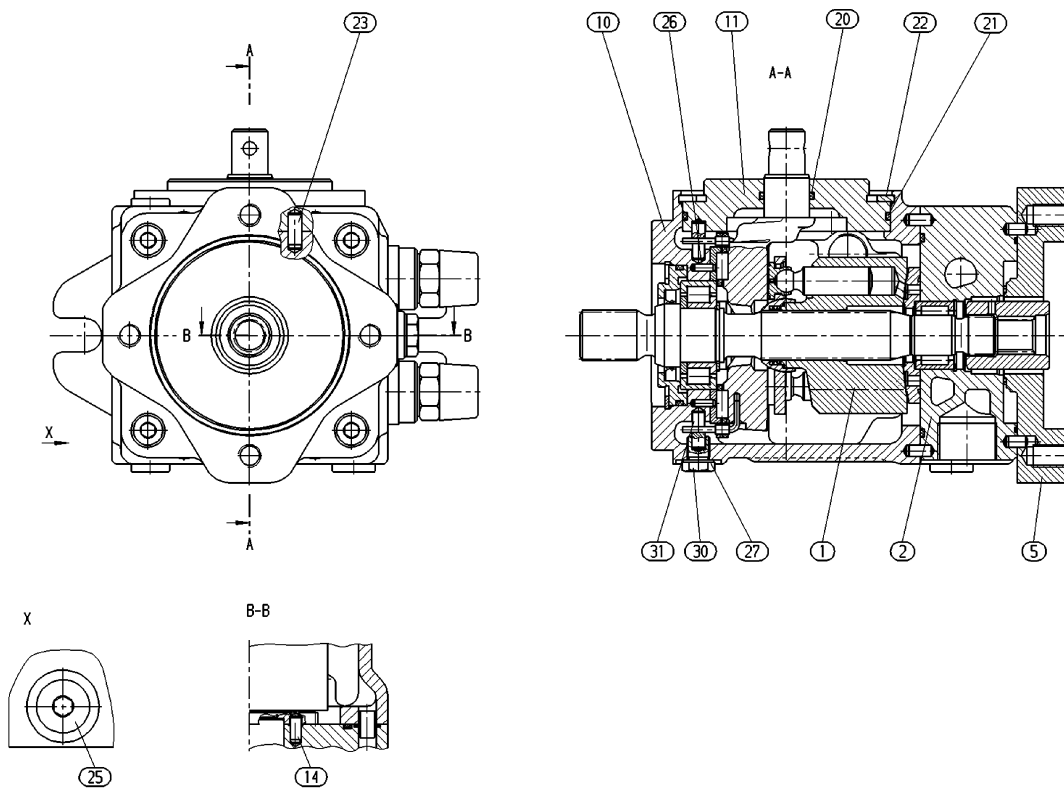
Product Unit
Axial Piston Units

Part No.: R909601422

Designation: A11VG19MD1/10L-PSC16K011E

G

Drawing no.: R909709776



Spare parts list

Product Unit
Axial Piston Units

Part No.: R909438459
Designation: ROTARY GROUP

Drawing no.: R909702918

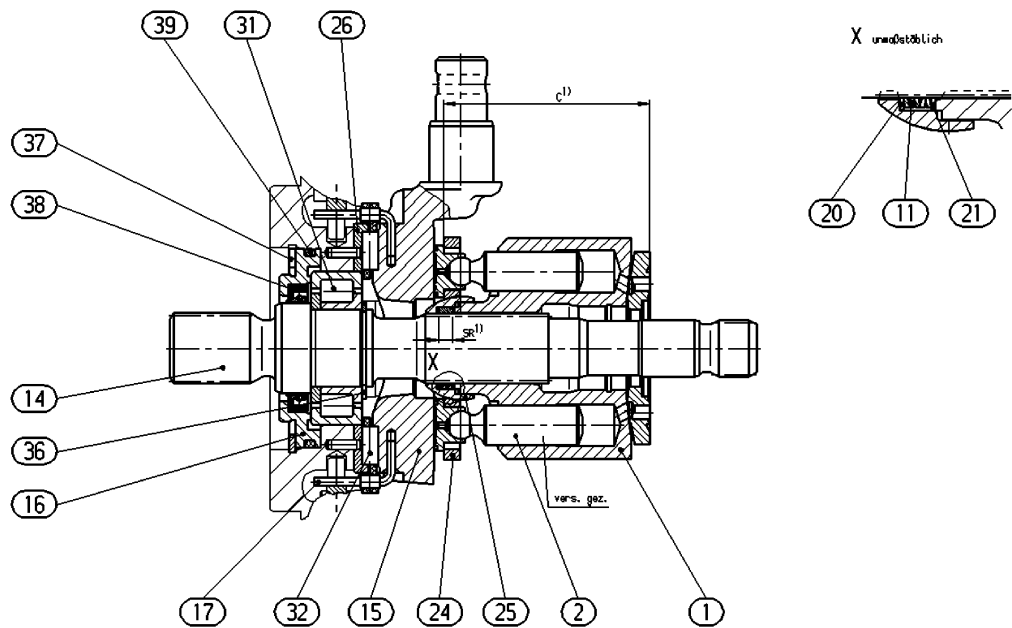
Pos.	Part No.	Designation	Quantity	
1	R902017171	CYLINDER WITH CONTROL PLATE	1 ST	
2	R909436558	PISTON-SLIPPER PAD	9 ST	
11	R909444437	CUP-SPRING STACK	1 ST	
14	R902041735	DRIVE SHAFT	1 ST	
15	R909431562	CRADLE	1 ST	
16	R909418131	COVER	1 ST	D
17	R909430229	WIRE	2 ST	
20	R909418133	SHIM	1 ST	
20	R909418134	SHIM	1 ST	
20	R909418132	SHIM	1 ST	
20	R909418135	SHIM	1 ST	
21	R909418135	SHIM	1 ST	
24	R909443670	RETAINING PLATE	1 ST	
25	R902017172	RETAINING BALL	1 ST	
26	R902066598	BEARING LINER (PAIR)	1 ST	
31	R909156986	PLAIN ROLLER BEARING	1 ST	
32	R909156988	CRADLE BEARING ASSEMBLY (SET)	1 ST	
36	R909085802	RETAINING RING	1 ST	
37	R909083408	RETAINING RING	1 ST	
38	R909830376	SHAFT SEAL RING	1 ST	D
39	R909151810	O-RING	1 ST	D

Spare parts list

Part No.: R909438459
Designation: ROTARY GROUP

Product Unit
Axial Piston Units

Drawing no.: R909702918



¹¹⁾ Abstimmφ C bei $\epsilon = 0^\circ$
Abstimmung mit Pos.20, Pos.21 und Simulierung SR= 4,32 $\frac{+0,01}{-0,03}$
C = 64,5 $\frac{-0,2}{-0,2}$

Spare parts listProduct Unit
Axial Piston UnitsPart No.: R909433642
Designation: PORT PLATE WITH VALVES

Drawing no.: R909705120

Pos.	Part No.	Designation		Quantity	
1	R902600465	MHDBN16K2-20/420VFH-039	#100NM	2 ST	L
2	R909433666	PRESSURE RELIEF VALVE		1 ST	L
5	R909432950	PORT PLATE		1 ST	
7	R909083066	SOCKET-HEAD SCREW		4 ST	
8	R909157936	CYLINDER PIN		4 ST	
9	R909085360	O-RING		1 ST	D
22	R909156987	PLAIN ROLLER BEARING		1 ST	
26	R909157293	QUAD BONDET RING		2 ST	D
31	R909086720	O-RING		1 ST	D
35	R909151692	LOCKING SCREW		2 ST	D
36	R909151979	LOCKING SCREW		1 ST	D
38	R909083391	RETAINING RING		1 ST	
39	R909156820	CLAMPING PIN		1 ST	

Spare parts list

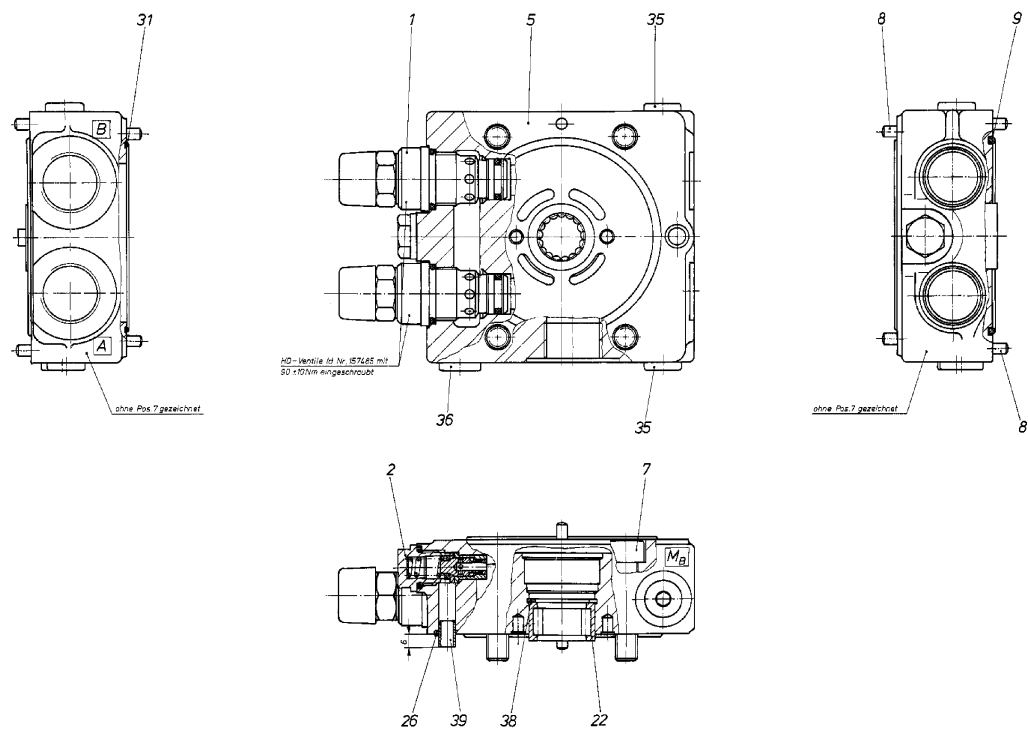
Part No.: R909433642

Designation: PORT PLATE WITH VALVES

Product Unit

Axial Piston Units

Drawing no.: R909705120



Spare parts list

Product Unit

Axial Piston Units

Part No.: R902600465

Designation: MHDBN16K2-20/420VFH-039 #100NM

Pos.	Part No.	Designation	Quantity	
1	R902600254	SEAL KIT	1 ST	D
2	R909157895	CAP	1 ST	D

Spare parts list

Product Unit

Axial Piston Units

Part No.: R909433666

Designation: PRESSURE RELIEF VALVE

Drawing no.: R909730846

Pos.	Part No.	Designation	Quantity	
1	R909432817	LOCKING SCREW	1 ST	
2	R909432815	VALVE PISTON	1 ST	
3	R909432816	BUSH	1 ST	
4	R909432358	PRESSURE SPRING	1 ST	
6	R909083753	O-RING	1 ST	D
7	R909157954	SHIM	1 ST	
7	R909157955	SHIM	1 ST	
7	R909157953	SHIM	1 ST	

Spare parts list

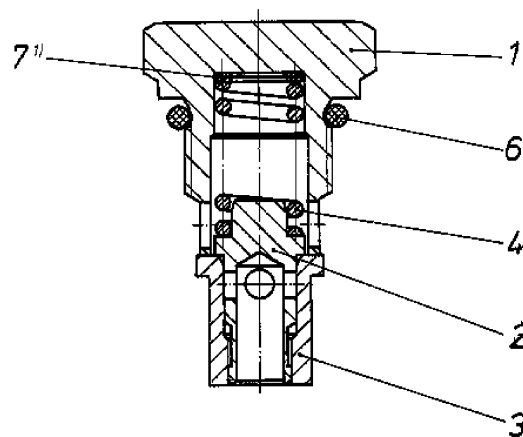
Part No.: R909433666

Designation: PRESSURE RELIEF VALVE

Product Unit

Axial Piston Units

Drawing no.: R909730846



1) Scheibenstärke nach Druck-
einstellung 5.21.05.02 11 / 12.01

Spare parts list

Product Unit

Axial Piston Units

Part No.: R909434233

Designation: PUMP SUPPORT PLATE

Drawing no.: R909731970

Pos.	Part No.	Designation	Quantity	
1	R909435235	INTERMEDIATE FLANGE	1 ST	
2	R909435486	THROUGH DRIVE COUPLING	1 ST	
7	R909084468	O-RING	1 ST	D
10	R909083036	SOCKET-HEAD SCREW	4 ST	
11	R909083250	LOCK WASHER	4 ST	
13	R909157997	O-RING	1 ST	D

Spare parts list

Part No.: R909434233
Designation: PUMP SUPPORT PLATE

Product Unit
Axial Piston Units

Drawing no.: R909731970

