

**Spare parts list**

Product Unit

Axial Piston Units

Part No.: R909609230

Designation: AA11VLO130DRS/10R-NSD62N00

Drawing no.: R902007907

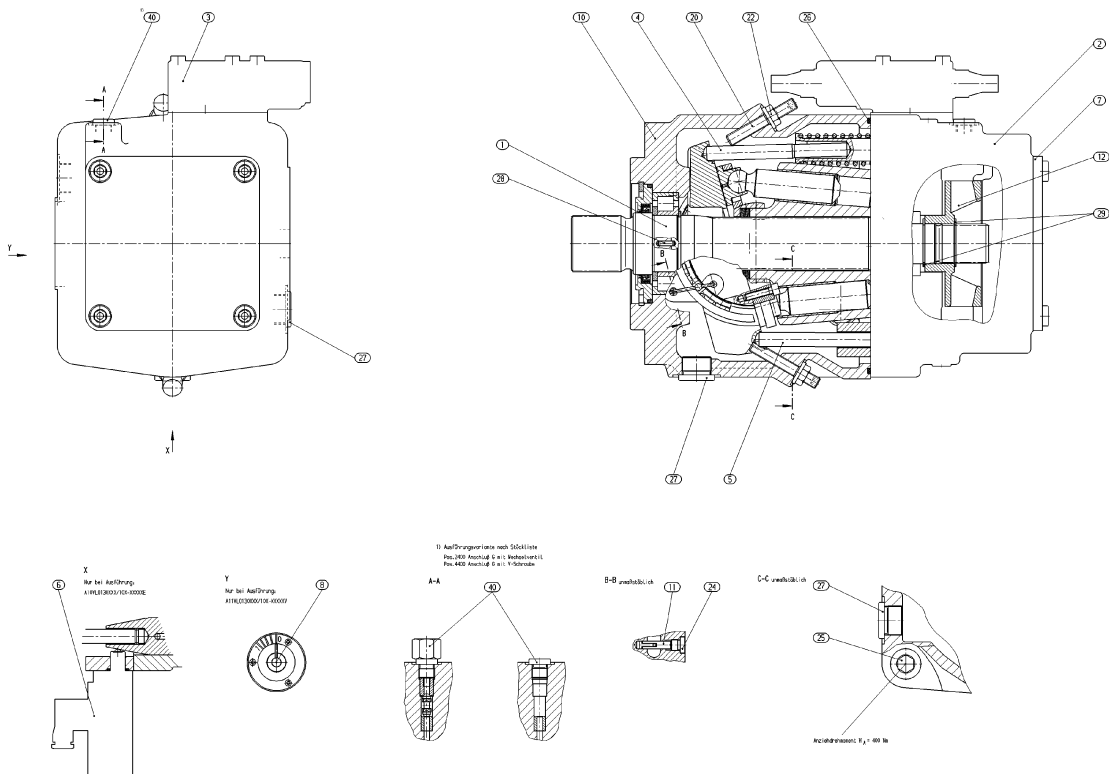
Pos.	Part No.	Designation	Quantity	
1	R902041945	ROTARY GROUP, RIGHT-HAND ROTATION	1 ST	L
2	R902085874	PORT PLATE, RIGHT-HAND ROTAT.	1 ST	L
3	R909600081	REGULATOR	1 ST	L
4	R909601774	CONTROL, HYDRAULIC	1 ST	L
5	R909601775	CONTROL, HYDRAULIC	1 ST	L
7	R909442927	COVER WITH ACCESSORIES	1 ST	L
10	R902089449	HOUSING	1 ST	
11	R909443013	JOINT PIN	4 ST	
12	R909921832	IMPELLER, RIGTH-HAND ROTAT.	1 ST	
20	R909449078	THREADED PIN	2 ST	
22	R909152426	SEAL LOCK NUT	2 ST	D
24	R909153364	LOCKING SCREW	4 ST	D
25	R909830782	SOCKET-HEAD SCREW	4 ST	
26	R909083835	O-RING	1 ST	D
27	R909154480	LOCKING SCREW	2 ST	D
28	R909156579	CLAMPING PIN	2 ST	D
29	R909083360	RETAINING RING	2 ST	
40	R909153371	LOCKING SCREW	1 ST	D

Spare parts list

Product Unit  
Axial Piston Units

Part No.: R909609230  
Designation: AA11VLO130DRS/10R-NSD62N00

Drawing no.: R902007907



Spare parts list

Product Unit  
Axial Piston Units

Part No.: R902041945  
Designation: ROTARY GROUP, RIGHT-HAND ROTATION

Drawing no.: R902061594

Pos.	Part No.	Designation	Quantity	
1	R902041935	CYLINDER WITH CONTROL PLATE	1 ST	
2	R909078189	PISTON-SLIPPER PAD	9 ST	
11	R909074128	CUP-SPRING STACK	1 ST	
12	R909445879	CRADLE	1 ST	
14	R909650314	DRIVE SHAFT	1 ST	
16	R902034801	COVER	1 ST	D
17	R909417959	WIRE	4 ST	
20	R909412706	SHIM	1 ST	
20	R909412707	SHIM	1 ST	
20	R909413043	SHIM	1 ST	
20	R909078319	SHIM	1 ST	
21	R909412706	SHIM	1 ST	
24	R909431914	RETAINING PLATE	1 ST	
25	R902041873	RETAINING BALL	1 ST	
26	R902066599	BEARING LINER (PAIR)	1 ST	
30	R909431891	RETAINING SEGMENT	2 ST	
31	R909156269	PLAIN ROLLER BEARING	1 ST	
32	R902600959	CRADLE BEARING ASSEMBLY ( SET)	1 ST	
36	R909084416	RETAINING RING	1 ST	
37	R909154528	RETAINING RING	1 ST	
38	R909154345	SHAFT SEAL RING	1 ST	D
39	R909086949	O-RING	1 ST	D
47	R909831330	SOCKET-HEAD SCREW	4 ST	

## Spare parts list

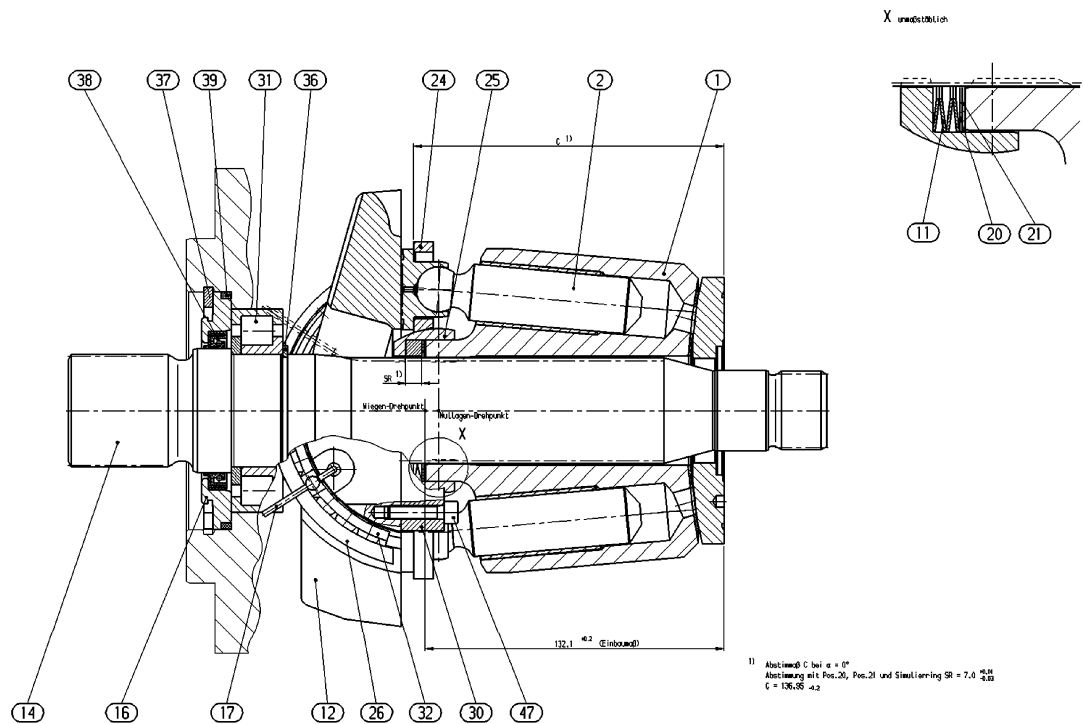
Part No.: R902041945

Designation: ROTARY GROUP, RIGHT-HAND ROTATION

Product Unit

Axial Piston Units

Drawing no.: R902061594



**Spare parts list**

Product Unit

Axial Piston Units

Part No.: R902085874

Designation: PORT PLATE, RIGHT-HAND ROTAT.

Drawing no.: R902085958

Pos.	Part No.	Designation	Quantity	
1	R909151979	LOCKING SCREW	1 ST	D
2	R902066847	PORT PLATE, RIGHT-HAND ROTAT.	1 ST	
10	R909156310	PLAIN ROLLER BEARING	1 ST	
11	R909831318	DOUBLE BREAK-OFF PIN	4 ST	D
13	R909087170	CYLINDER PIN	2 ST	
14	R909087755	CYLINDER PIN	1 ST	D
16	R909152464	O-RING	1 ST	D
17	R909831385	QUAD BONDET RING	3 ST	D
18	R909153371	LOCKING SCREW	3 ST	D
20	R909154024	LOCKING SCREW	1 ST	D
21	R909156495	ORIFICE	1 ST	
22	R909156494	ORIFICE	1 ST	D

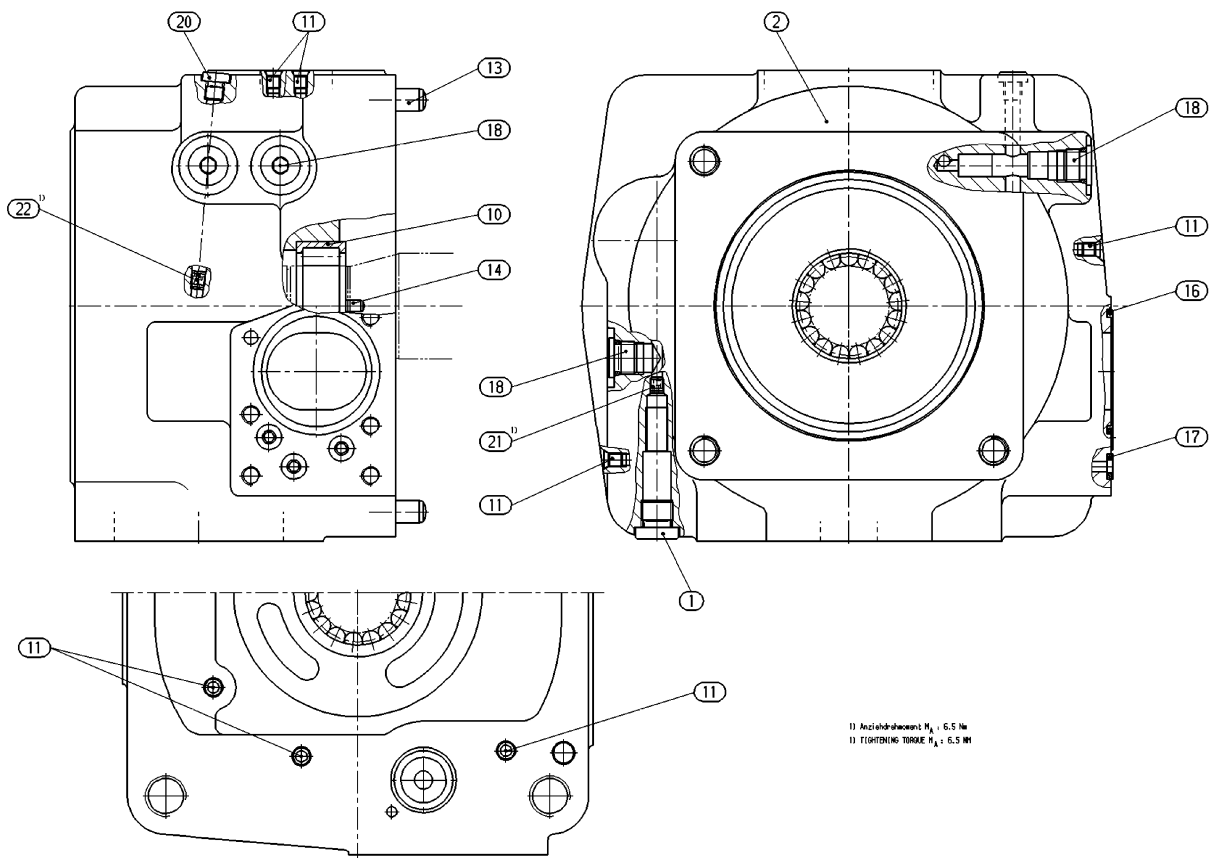
Spare parts list

Product Unit  
Axial Piston Units

Part No.: R902085874

Designation: PORT PLATE, RIGHT-HAND ROTAT.

Drawing no.: R902085958



**Spare parts list**

Product Unit

Axial Piston Units

Part No.: R909600081

Designation: REGULATOR

Drawing no.: R909725674

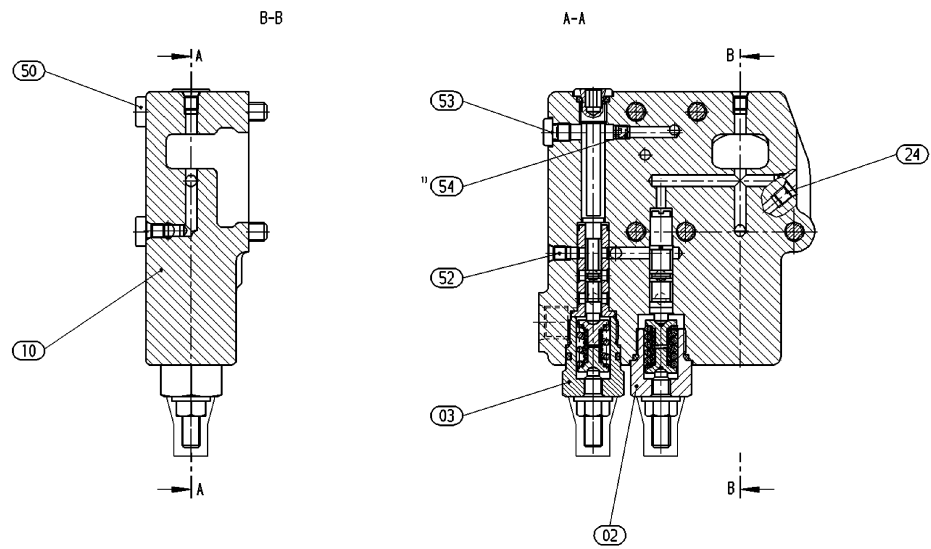
Pos.	Part No.	Designation	Quantity	
2	R909609420	CONTROL ELEMENT	1 ST	L
3	R909606784	CONTROL ELEMENT	1 ST	L
10	R902002701	CONTROL HOUSING	1 ST	
24	R909445306	DOUBLE BREAK-OFF PIN	1 ST	D
50	R909083044	SOCKET-HEAD SCREW	5 ST	D
52	R909831318	DOUBLE BREAK-OFF PIN	7 ST	D
53	R909154024	LOCKING SCREW	1 ST	D
54	R909156490	ORIFICE	1 ST	

## Spare parts list

Part No.: R909600081  
Designation: REGULATOR

Product Unit  
Axial Piston Units

Drawing no.: R909725674



1) Anziehdrehmoment MA = 6.5 Nm



**Spare parts list**

Product Unit

Axial Piston Units

Part No.: R909609420

Designation: CONTROL ELEMENT

Drawing no.: R909725787

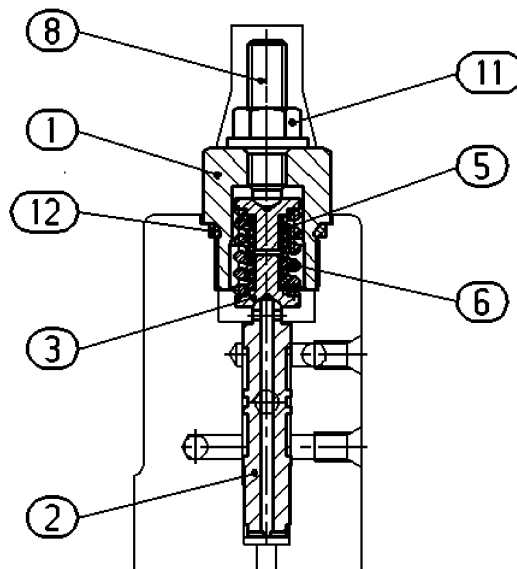
Pos.	Part No.	Designation	Quantity	
1	R909440779	LOCKING SCREW	1 ST	
2	R902004621	CONTROL PISTON	1 ST	
3	R909444160	SPRING BOLT	2 ST	
5	R909436395	PRESSURE SPRING	1 ST	
6	R909436795	PRESSURE SPRING	1 ST	
8	R909444953	THREADED PIN	1 ST	
11	R909152707	SEAL LOCK NUT	1 ST	D
12	R909083758	O-RING	1 ST	D

## Spare parts list

Part No.: R909609420  
Designation: CONTROL ELEMENT

Product Unit  
Axial Piston Units

Drawing no.: R909725787



**Spare parts list**Product Unit  
Axial Piston UnitsPart No.: R909606784  
Designation: CONTROL ELEMENT

Drawing no.: R909725828

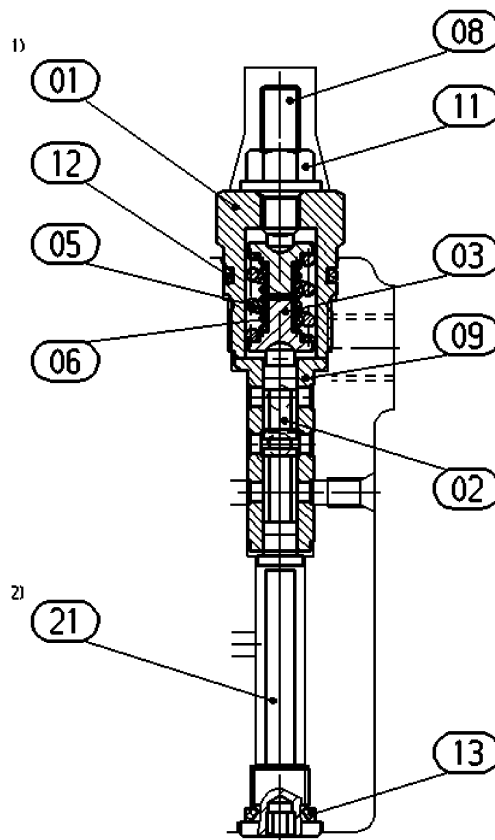
Pos.	Part No.	Designation	Quantity	
1	R902033700	LOCKING SCREW	1 ST	
2	R909449719	CONTROL PISTON	1 ST	
3	R909436839	SPRING BOLT	2 ST	
5	R909436394	PRESSURE SPRING	1 ST	
6	R909436395	PRESSURE SPRING	1 ST	
8	R909444953	THREADED PIN	1 ST	
9	R902004934	CONTROL BUSH	1 ST	
11	R909152707	SEAL LOCK NUT	1 ST	D
12	R909083758	O-RING	1 ST	D
13	R909083749	O-RING	1 ST	D
21	R902029166	LOCKING SCREW	1 ST	

## Spare parts list

Part No.: R909606784  
Designation: CONTROL ELEMENT

Product Unit  
Axial Piston Units

Drawing no.: R909725828



1) Anziehdrehmoment MA = 60 Nm

2) Anziehdrehmoment MA = 20 Nm

## Spare parts list

Product Unit  
Axial Piston Units

Part No.: R909601774  
Designation: CONTROL, HYDRAULIC

Drawing no.: R909730292

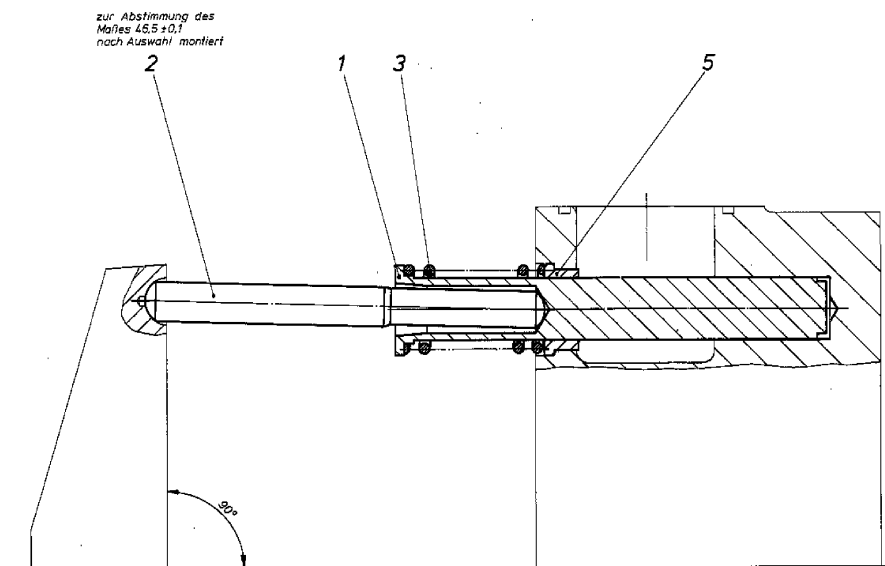
Pos.	Part No.	Designation	Quantity
1	R909651037	POSITIONING PISTON	1 ST
2	R909651029	ROD	1 ST
3	R909444263	PRESSURE SPRING	1 ST
5	R902025363	BUSH	1 ST

## Spare parts list

Product Unit  
Axial Piston Units

Part No.: R909601774  
Designation: CONTROL, HYDRAULIC

Drawing no.: R909730292



## Spare parts list

Product Unit  
Axial Piston Units

Part No.: R909601775  
Designation: CONTROL, HYDRAULIC

Drawing no.: R909730293

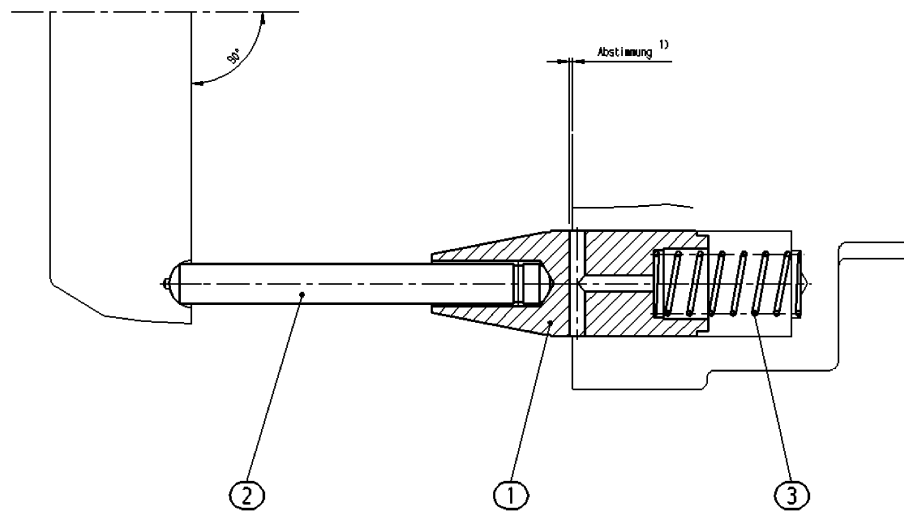
Pos.	Part No.	Designation	Quantity
1	R909921505	RETURN PISTON	1 ST
2	R909445770	RETURN ROD	1 ST
2	R909445771	RETURN ROD	1 ST
2	R909445769	RETURN ROD	1 ST
3	R909443435	PRESSURE SPRING	1 ST

## Spare parts list

Part No.: R909601775  
Designation: CONTROL, HYDRAULIC

Product Unit  
Axial Piston Units

Drawing no.: R909730293



1) siehe Maßblatt



## Spare parts list

Product Unit  
Axial Piston Units

Part No.: R909442927  
Designation: COVER WITH ACCESSORIES

Drawing no.: R909731944

Pos.	Part No.	Designation	Quantity	
1	R909444814	COVER	1 ST	
3	R909083205	SOCKET-HEAD SCREW	4 ST	
5	R902600381	O-RING	1 ST	D

## Spare parts list

Part No.: R909442927

Designation: COVER WITH ACCESSORIES

Product Unit

Axial Piston Units

Drawing no.: R909731944

