

Spare parts list

Product Unit
Axial Piston Units

Part No.: R909601115

Designation: A11VLO130LE2S/10R-NZG12K01-K

Drawing no.: R902007266

Pos.	Part No.	Designation	Quantity	
1	R909600322	A11VLO130LE2S5/10R-NZG12K01-S	1 ST	L
6	R902603519	GEAR PUMP	1 ST	
10	R909083058	SOCKET-HEAD SCREW	2 ST	

Safety Notes:

Service – and repair works have to be carried out by the Bosch Rexroth AG or their repair stations only. We do not grant any warranty for defects due to assembly, maintenance or repair not effected by the Bosch Rexroth AG or their repair stations.

L = Assembly group D = Sealing element

Page: 1

Date: 10.01.2007

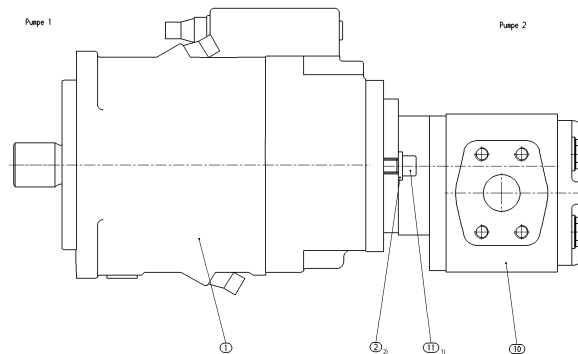
Spare parts list

Product Unit
Axial Piston Units

Part No.: R909601115

Designation: A11VLO130LE2S/10R-NZG12K01-K

Drawing no.: R902007266



1) Befestigungsschrauben nach ISO 4762...
2) Abstützflansch Pumpe 2 Montageöffnung nach Kundenwunsch entsprechend Auswahlblatt
11) 12) 13) 14) 15) 16) 17) 18) 19) 20) 21) 22) 23) 24) 25) 26) 27) 28) 29) 30) 31) 32) 33) 34) 35) 36) 37) 38) 39) 40) 41) 42) 43) 44) 45) 46) 47) 48) 49) 50) 51) 52) 53) 54) 55) 56) 57) 58) 59) 60) 61) 62) 63) 64) 65) 66) 67) 68) 69) 70) 71) 72) 73) 74) 75) 76) 77) 78) 79) 80) 81) 82) 83) 84) 85) 86) 87) 88) 89) 90) 91) 92) 93) 94) 95) 96) 97) 98) 99) 100)

Spare parts list

Product Unit
Axial Piston Units

Part No.: R909600322

Designation: A11VLO130LE2S5/10R-NZG12K01-S

Drawing no.: R909713335

| Pos. | Part No. | Designation | Quantity | |
|------|------------|-----------------------------------|----------|---|
| 1 | R902041954 | ROTARY GROUP, RIGHT-HAND ROTATION | 1 ST | L |
| 2 | R909448362 | PORT PLATE WITH ACCESSORIES | 1 ST | L |
| 3 | R909601107 | REGULATOR | 1 ST | L |
| 4 | R909601773 | CONTROL, HYDRAULIC | 1 ST | L |
| 5 | R909601776 | CONTROL, HYDRAULIC | 1 ST | L |
| 7 | R909601128 | PUMP SUPPORT PLATE | 1 ST | L |
| 10 | R902089444 | HOUSING | 1 ST | |
| 11 | R909443013 | JOINT PIN | 4 ST | |
| 12 | R909921832 | IMPELLER, RIGHT-HAND ROTAT. | 1 ST | |
| 20 | R909449078 | THREADED PIN | 2 ST | |
| 22 | R909152426 | SEAL LOCK NUT | 2 ST | D |
| 24 | R909153364 | LOCKING SCREW | 4 ST | D |
| 25 | R909830782 | SOCKET-HEAD SCREW | 4 ST | |
| 26 | R909083835 | O-RING | 1 ST | D |
| 27 | R909153891 | LOCKING SCREW | 3 ST | D |
| 28 | R909156579 | CLAMPING PIN | 2 ST | D |
| 29 | R909083360 | RETAINING RING | 2 ST | |
| 40 | R909151979 | LOCKING SCREW | 1 ST | D |
| 98 | R902095610 | SEAL KIT, COMPLETE | 1 ST | |

L = Assembly group D = Sealing element

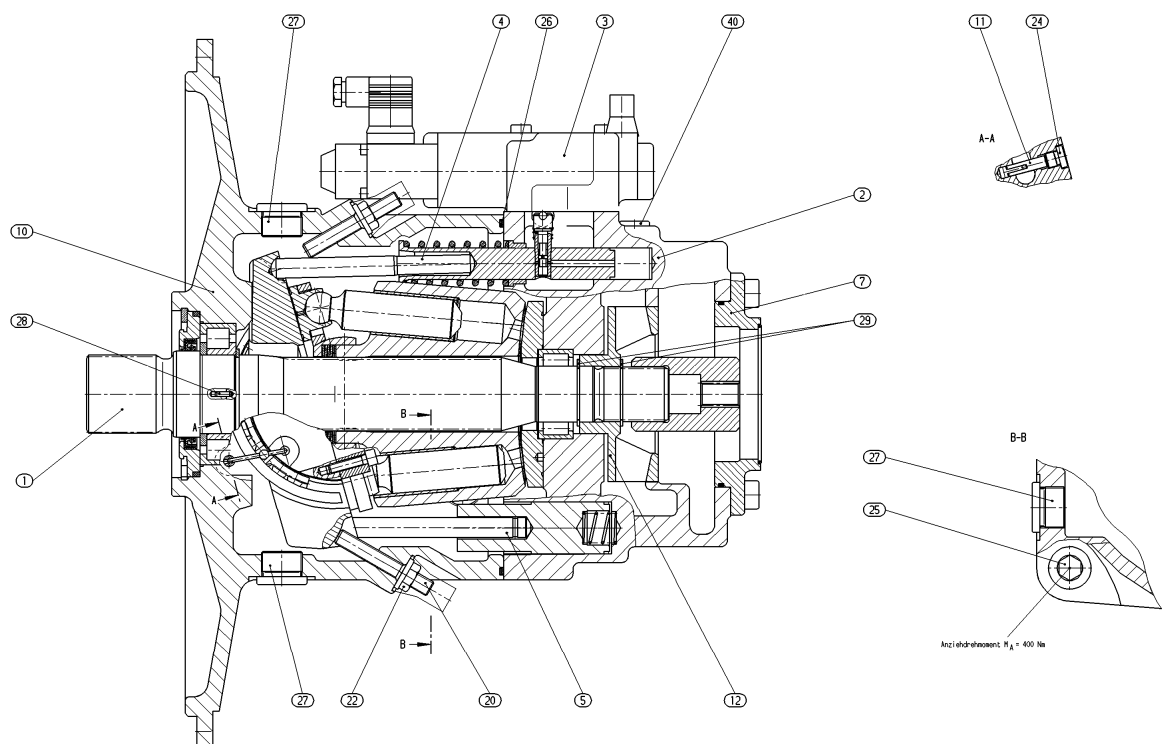
Spare parts list

Product Unit
Axial Piston Units

Part No.: R909600322

Designation: A11VLO130LE2S5/10R-NZG12K01-S

Drawing no.: R909713335



Spare parts list

Product Unit
Axial Piston Units

Part No.: R902041954

Designation: ROTARY GROUP, RIGHT-HAND ROTATION

Drawing no.: R902061594

| Pos. | Part No. | Designation | Quantity | |
|------|------------|--------------------------------|----------|---|
| 1 | R902041937 | CYLINDER WITH CONTROL PLATE | 1 ST | L |
| 2 | R909078189 | PISTON-SLIPPER PAD | 9 ST | |
| 11 | R909074128 | CUP-SPRING STACK | 1 ST | |
| 12 | R909445879 | CRADLE | 1 ST | |
| 14 | R909921396 | DRIVE SHAFT | 1 ST | |
| 16 | R902034801 | COVER | 1 ST | D |
| 17 | R909417959 | WIRE | 4 ST | |
| 20 | R909412706 | SHIM | 1 ST | |
| 20 | R909412707 | SHIM | 1 ST | |
| 20 | R909413043 | SHIM | 1 ST | |
| 20 | R909078319 | SHIM | 1 ST | |
| 21 | R909412706 | SHIM | 1 ST | |
| 24 | R909431914 | RETAINING PLATE | 1 ST | |
| 25 | R902041873 | RETAINING BALL | 1 ST | |
| 26 | R902066599 | BEARING LINER (PAIR) | 1 ST | |
| 30 | R909431891 | RETAINING SEGMENT | 2 ST | |
| 31 | R909156269 | PLAIN ROLLER BEARING | 1 ST | |
| 32 | R902600959 | CRADLE BEARING ASSEMBLY (SET) | 1 ST | |
| 36 | R909084416 | RETAINING RING | 1 ST | |
| 37 | R909154528 | RETAINING RING | 1 ST | |
| 38 | R909154345 | SHAFT SEAL RING | 1 ST | D |
| 39 | R909154986 | O-RING | 1 ST | D |
| 47 | R909831330 | SOCKET-HEAD SCREW | 4 ST | |

L = Assembly group D = Sealing element

Page: 5

Date: 10.01.2007

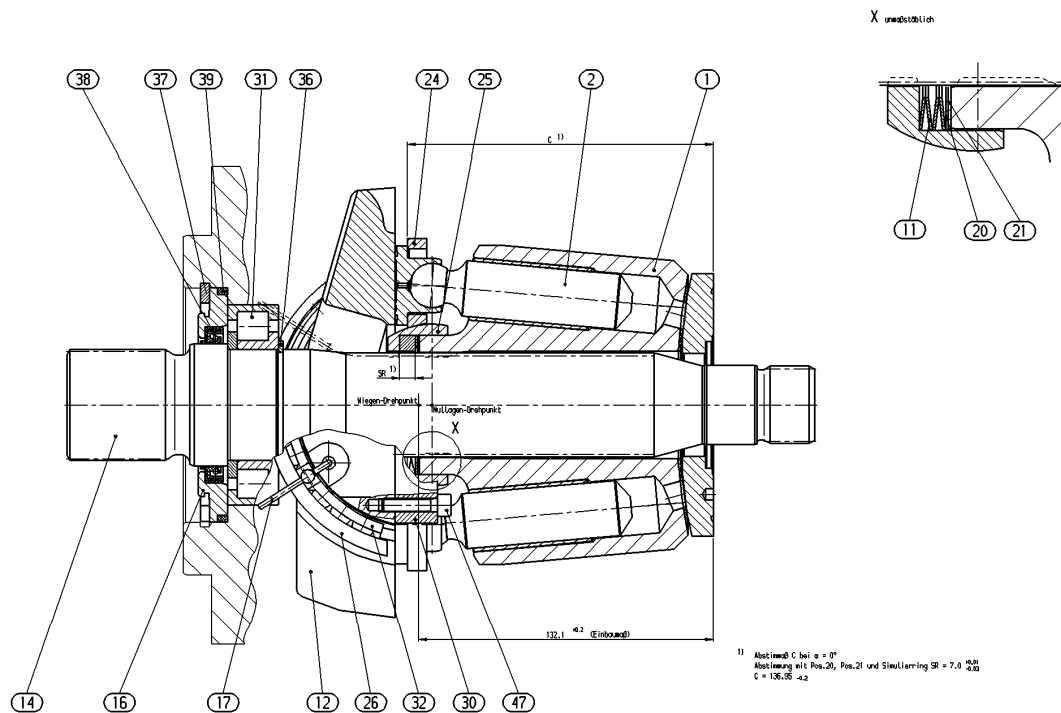
Spare parts list

Product Unit
Axial Piston Units

Part No.: R902041954

Designation: ROTARY GROUP, RIGHT-HAND ROTATION

Drawing no.: R902061594



Spare parts list

Product Unit
Axial Piston Units

Part No.: R902041937

Designation: CYLINDER WITH CONTROL PLATE

| Pos. | Part No. | Designation | Quantity |
|------|------------|--------------------------------|----------|
| 1 | R902041931 | CYLINDER WITH BUSH | 1 ST |
| 2 | R902010111 | CONTROL PLATE, RIGHT-HAND ROT. | 1 ST |

Spare parts list

Product Unit
Axial Piston Units

Part No.: R909448362

Designation: PORT PLATE WITH ACCESSORIES

Drawing no.: R909705636

| Pos. | Part No. | Designation | Quantity | |
|------|------------|-------------------------------|----------|---|
| 2 | R909650241 | PORT PLATE, RIGHT-HAND ROTAT. | 1 ST | |
| 10 | R909156310 | PLAIN ROLLER BEARING | 1 ST | |
| 11 | R909831318 | DOUBLE BREAK-OFF PIN | 4 ST | D |
| 13 | R909087170 | CYLINDER PIN | 2 ST | |
| 14 | R909087755 | CYLINDER PIN | 1 ST | D |
| 16 | R909152464 | O-RING | 1 ST | D |
| 17 | R902602890 | SEAL RING | 3 ST | D |
| 19 | R909151692 | LOCKING SCREW | 2 ST | D |
| 20 | R909154024 | LOCKING SCREW | 2 ST | D |
| 21 | R909156495 | ORIFICE | 1 ST | |
| 22 | R909156494 | ORIFICE | 1 ST | D |
| 98 | R902002467 | SEAL KIT PORT PLATE | 1 ST | |

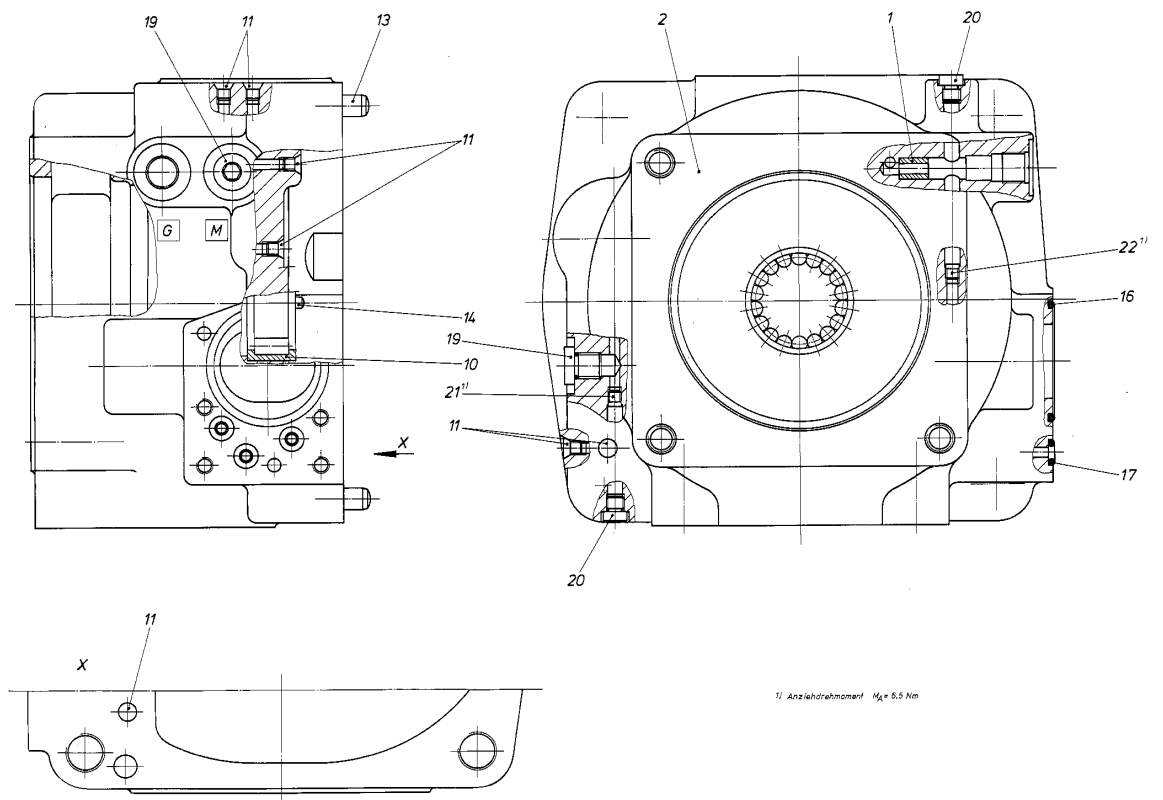
Spare parts list

Product Unit
Axial Piston Units

Part No.: R909448362

Designation: PORT PLATE WITH ACCESSORIES

Drawing no.: R909705636



Spare parts list

Product Unit
Axial Piston Units

Part No.: R909601107

Designation: REGULATOR

Drawing no.: R909725679

| Pos. | Part No. | Designation | Quantity | |
|------|------------|----------------------|----------|---|
| 1 | R909601148 | CONTROL ELEMENT | 1 ST | L |
| 3 | R909448351 | CONTROL ELEMENT | 1 ST | L |
| 4 | R902002659 | MEASURING PISTON | 1 ST | L |
| 10 | R909922016 | CONTROL HOUSING | 1 ST | |
| 20 | R909445457 | ANGLE LEVER | 1 ST | |
| 21 | R909440788 | BEARING BOLT | 1 ST | |
| 22 | R909431286 | BEARING BUSHING | 1 ST | |
| 24 | R909445306 | DOUBLE BREAK-OFF PIN | 1 ST | D |
| 50 | R909083044 | SOCKET-HEAD SCREW | 1 ST | D |
| 51 | R909087751 | CYLINDER PIN | 2 ST | |
| 52 | R909831318 | DOUBLE BREAK-OFF PIN | 7 ST | D |
| 53 | R909151979 | LOCKING SCREW | 1 ST | D |
| 57 | R909083045 | SOCKET-HEAD SCREW | 4 ST | |
| 60 | R909087248 | RETAINING RING | 1 ST | |
| 61 | R909083724 | O-RING | 1 ST | D |
| 98 | R902002475 | SEAL KIT REGULATOR | 1 ST | |

L = Assembly group D = Sealing element

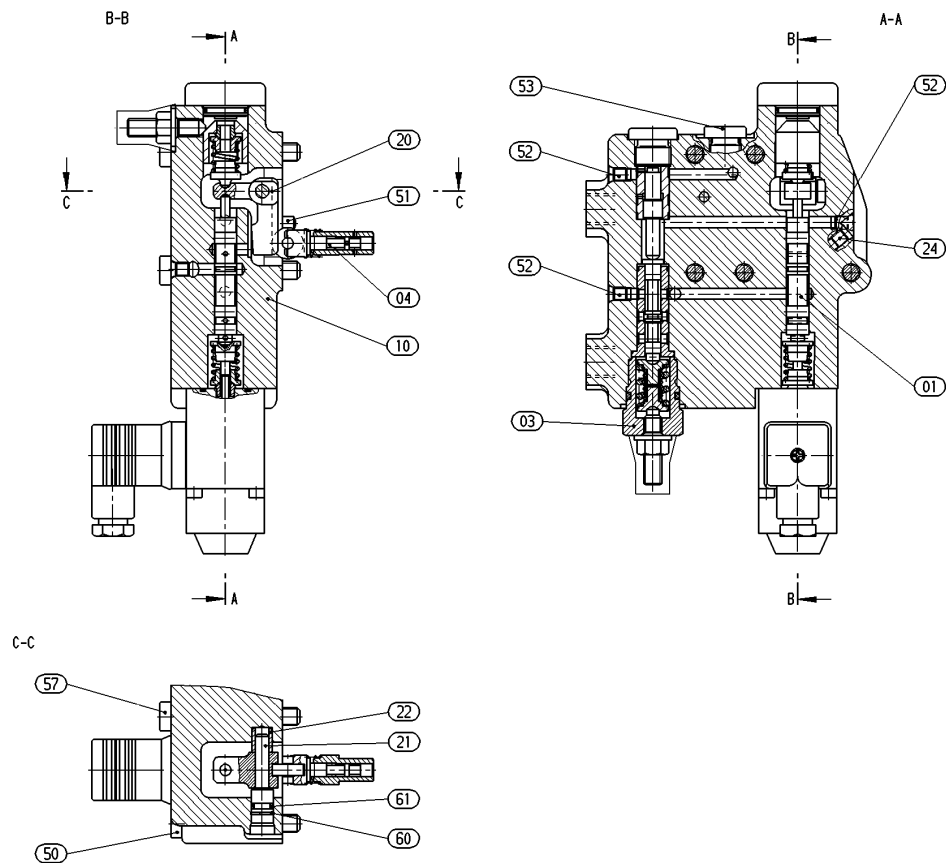
Spare parts list

Product Unit
Axial Piston Units

Part No.: R909601107

Designation: REGULATOR

Drawing no.: R909725679



L = Assembly group D = Sealing element

Spare parts list

Product Unit
Axial Piston Units

Part No.: R909601148

Designation: CONTROL ELEMENT

Drawing no.: R909725811

| Pos. | Part No. | Designation | Quantity | |
|------|------------|-----------------------------------|----------|---|
| 2 | R902022771 | CONTROL PISTON | 1 ST | |
| 3 | R909449617 | SPRING BOLT | 1 ST | |
| 4 | R909921097 | SPRING BOLT | 1 ST | |
| 5 | R902005694 | PRESSURE SPRING | 1 ST | |
| 6 | R909436459 | PRESSURE SPRING | 1 ST | |
| 7 | R909449721 | COVER | 1 ST | |
| 8 | R909921096 | ADJUSTING BUSHING | 1 ST | |
| 9 | R909443457 | BOLT | 1 ST | |
| 10 | R909086268 | THREADED PIN | 1 ST | |
| 11 | R909152707 | SEAL LOCK NUT | 1 ST | D |
| 12 | R909083737 | O-RING | 1 ST | D |
| 13 | R909084939 | O-RING | 1 ST | D |
| 15 | R909083018 | SOCKET-HEAD SCREW | 4 ST | D |
| 19 | R902602623 | PLUG SOCKET | 1 ST | |
| 20 | R909441692 | PROPORTIONAL SOLENOID WITH SCREWS | 1 ST | L |
| 21 | R909449619 | SPRING DISC | 2 ST | |
| 22 | R909449618 | SPRING COLLAR | 2 ST | |

L = Assembly group D = Sealing element

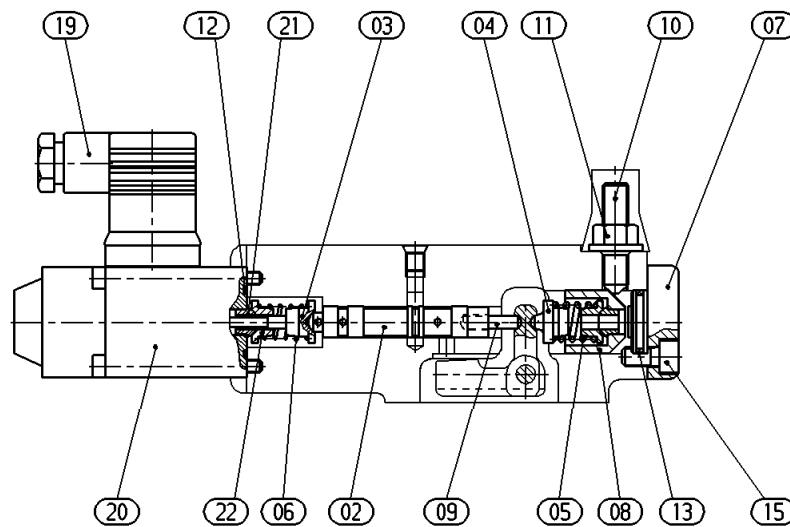
Spare parts list

Product Unit
Axial Piston Units

Part No.: R909601148

Designation: CONTROL ELEMENT

Drawing no.: R909725811



Spare parts list

Product Unit
Axial Piston Units

Part No.: R909441692

Designation: PROPORTIONAL SOLENOID WITH SCREWS

Drawing no.: R909732691

| Pos. | Part No. | Designation | Quantity |
|------|------------|-------------------|----------|
| 1 | R909830754 | SOLENOID | 1 ST |
| 2 | R909086070 | SOCKET-HEAD SCREW | 4 ST |

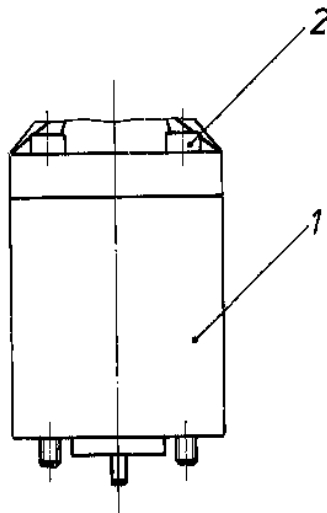
Spare parts list

Product Unit
Axial Piston Units

Part No.: R909441692

Designation: PROPORTIONAL SOLENOID WITH SCREWS

Drawing no.: R909732691



Spare parts list

Product Unit
Axial Piston Units

Part No.: R909448351

Designation: CONTROL ELEMENT

Drawing no.: R909725829

| Pos. | Part No. | Designation | Quantity | |
|------|------------|---------------------|----------|---|
| 1 | R902033700 | LOCKING SCREW | 1 ST | |
| 2 | R909449719 | CONTROL PISTON | 1 ST | |
| 3 | R909436839 | SPRING BOLT | 2 ST | |
| 4 | R909652128 | DIFFERENTIAL PISTON | 1 ST | |
| 5 | R909436394 | PRESSURE SPRING | 1 ST | |
| 6 | R909436395 | PRESSURE SPRING | 1 ST | |
| 8 | R909444953 | THREADED PIN | 1 ST | |
| 9 | R902004934 | CONTROL BUSH | 1 ST | |
| 11 | R909152707 | SEAL LOCK NUT | 1 ST | D |
| 12 | R909083758 | O-RING | 1 ST | D |
| 14 | R909153816 | LOCKING SCREW | 1 ST | D |
| 26 | R909449615 | SETTING BUSH | 1 ST | |

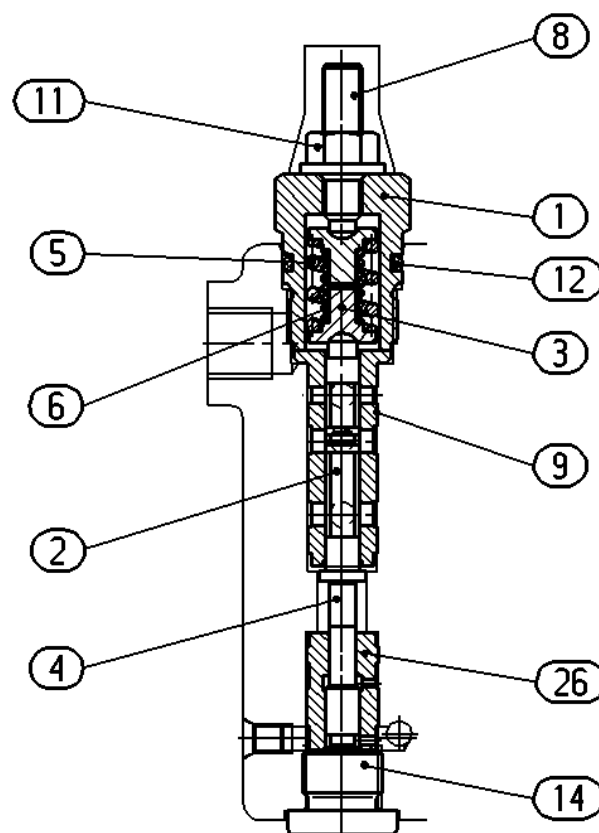
Spare parts list

Product Unit
Axial Piston Units

Part No.: R909448351

Designation: CONTROL ELEMENT

Drawing no.: R909725829



L = Assembly group D = Sealing element

Spare parts list

Product Unit
Axial Piston Units

Part No.: R902002659

Designation: MEASURING PISTON

Drawing no.: R902002882

| Pos. | Part No. | Designation | Quantity |
|------|------------|------------------|----------|
| 1 | R902002554 | MEASURING PISTON | 1 ST |
| 2 | R902002555 | SETTING BUSH | 1 ST |
| 4 | R902012033 | PRESSURE SPRING | 1 ST |
| 4 | R902080419 | PRESSURE SPRING | 1 ST |
| 4 | R909440791 | PRESSURE SPRING | 1 ST |
| 10 | R909444435 | ROLLER | 1 ST |

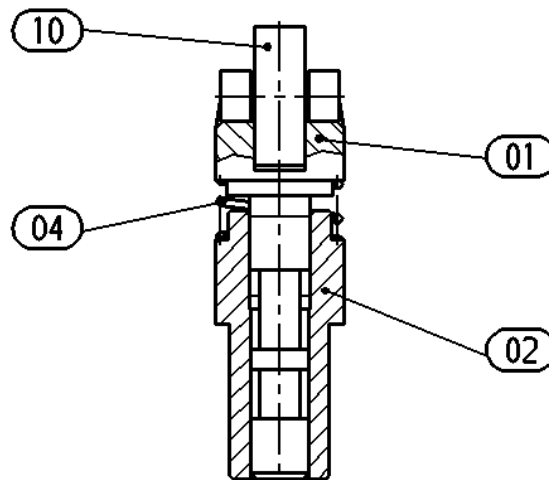
Spare parts list

Product Unit
Axial Piston Units

Part No.: R902002659

Designation: MEASURING PISTON

Drawing no.: R902002882



Spare parts list

Product Unit
Axial Piston Units

Part No.: R909601773

Designation: CONTROL, HYDRAULIC

Drawing no.: R909730291

| Pos. | Part No. | Designation | Quantity |
|------|------------|--------------------|----------|
| 1 | R909651036 | POSITIONING PISTON | 1 ST |
| 2 | R909651029 | ROD | 1 ST |
| 2 | R909651030 | ROD | 1 ST |
| 2 | R902027730 | ROD | 1 ST |
| 2 | R909651028 | ROD | 1 ST |
| 3 | R909444263 | PRESSURE SPRING | 1 ST |
| 5 | R902025363 | BUSH | 1 ST |

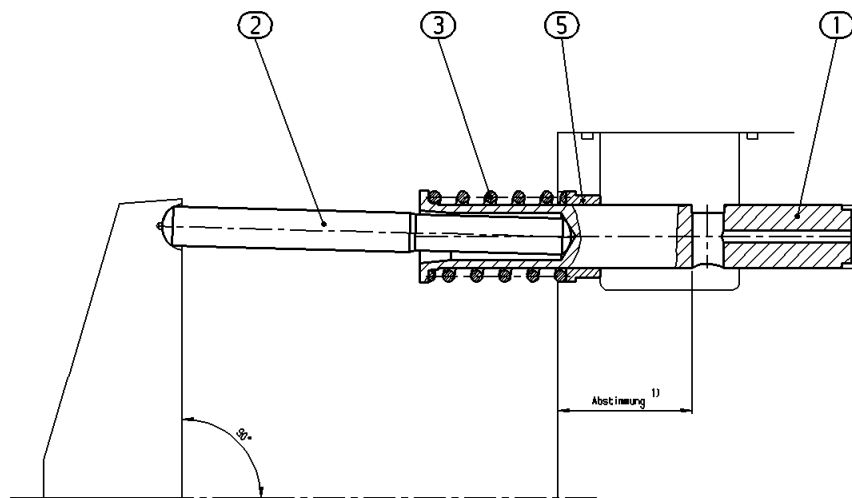
Spare parts list

Product Unit
Axial Piston Units

Part No.: R909601773

Designation: CONTROL, HYDRAULIC

Drawing no.: R909730291



1) siehe Maßblatt

Spare parts list

Product Unit
Axial Piston Units

Part No.: R909601776

Designation: CONTROL, HYDRAULIC

Drawing no.: R909730294

| Pos. | Part No. | Designation | Quantity |
|------|------------|-----------------|----------|
| 1 | R909921506 | RETURN PISTON | 1 ST |
| 2 | R909445769 | RETURN ROD | 1 ST |
| 3 | R909443435 | PRESSURE SPRING | 1 ST |

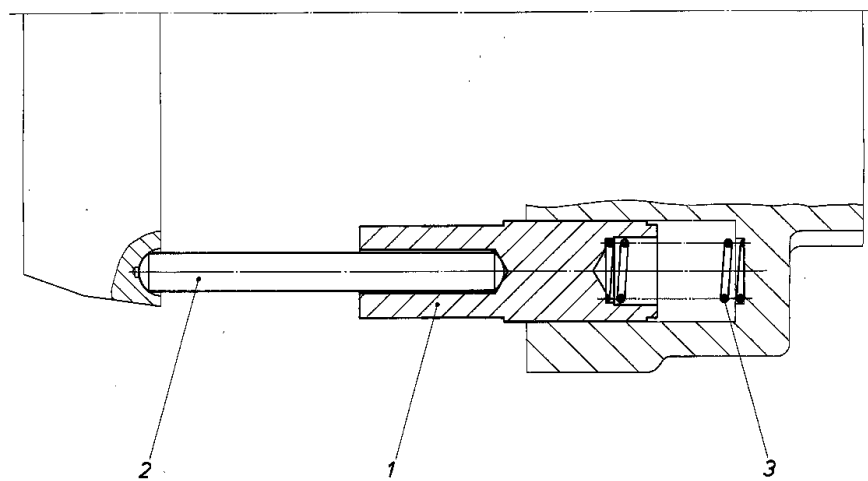
Spare parts list

Product Unit
Axial Piston Units

Part No.: R909601776

Designation: CONTROL, HYDRAULIC

Drawing no.: R909730294



Spare parts list

Product Unit
Axial Piston Units

Part No.: R909601128

Designation: PUMP SUPPORT PLATE

Drawing no.: R909732176

| Pos. | Part No. | Designation | Quantity | |
|------|------------|-----------------------------|----------|---|
| 1 | R909449635 | FLANGE | 1 ST | |
| 2 | R909449035 | CLUTCH HUB | 1 ST | |
| 13 | R909083087 | SOCKET-HEAD SCREW | 4 ST | |
| 14 | R909157997 | O-RING | 1 ST | D |
| 15 | R902600381 | O-RING | 1 ST | D |
| 98 | R902095514 | SEAL KIT PUMP SUPPORT PLATE | 1 ST | |

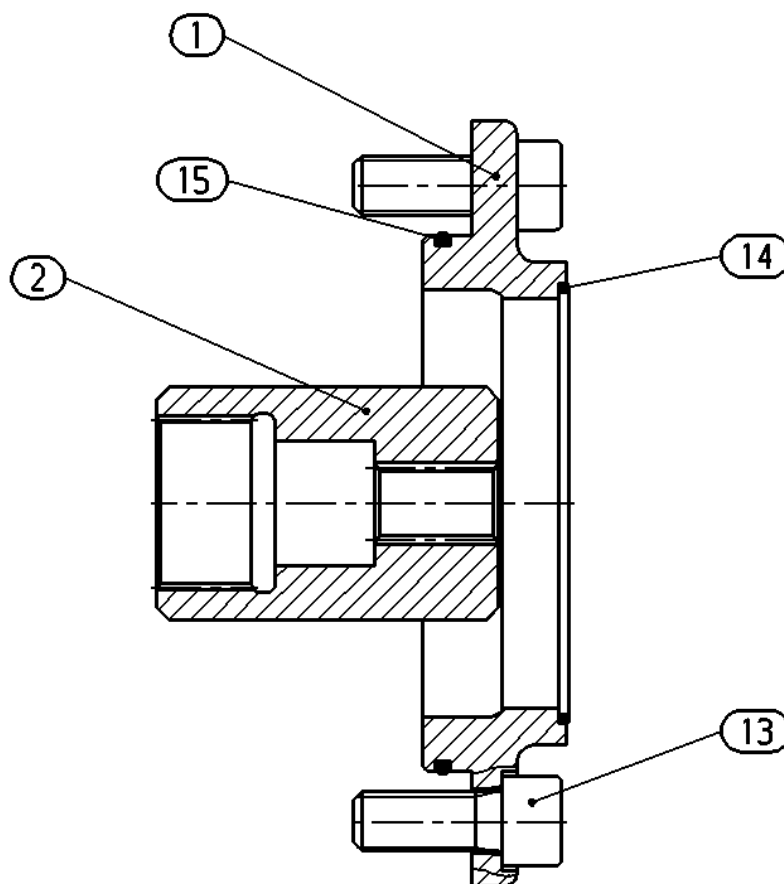
Spare parts list

Product Unit
Axial Piston Units

Part No.: R909601128

Designation: PUMP SUPPORT PLATE

Drawing no.: R909732176



L = Assembly group D = Sealing element

Page: 25

Date: 10.01.2007