

Spare parts list

Product Unit
Axial Piston Units

Part No.: R909606604
Designation: AA11VLO250DRG/10R-NSD62N00 *G*

Drawing no.: R909714604

Pos.	Part No.	Designation	Quantity	
1	R902026349	ROTARY GROUP	1 ST	L
2	R909441593	PORT PLATE WITH ACCESSORIES	1 ST	L
3	R909606605	REGULATOR	1 ST	L
4	R909434440	CONTROL, HYDRAULIC	1 ST	L
5	R909433430	CONTROL, HYDRAULIC	1 ST	L
7	R902013899	COVER WITH ACCESSORIES	1 ST	L
10	R909445896	HOUSING	1 ST	
12	R909439722	IMPELLER, RIGHT-HAND ROTAT.	1 ST	
13	R909432481	SEAL DISC	1 ST	
20	R909445855	THREADED PIN	1 ST	
21	R909445855	THREADED PIN	1 ST	
22	R909152459	SEAL LOCK NUT	2 ST	D
23	R909830241	CYLINDER PIN	1 ST	
24	R909153378	LOCKING SCREW	1 ST	D
28	R909830077	RETAINING RING	1 ST	
29	R909151259	RETAINING RING	2 ST	
30	R909445547	SHAFT KEY	1 ST	
31	R909152982	SHIM	1 ST	
31	R909156764	SHIM	1 ST	
31	R909152981	SHIM	1 ST	
40	R909153371	LOCKING SCREW	1 ST	D

Spare parts list

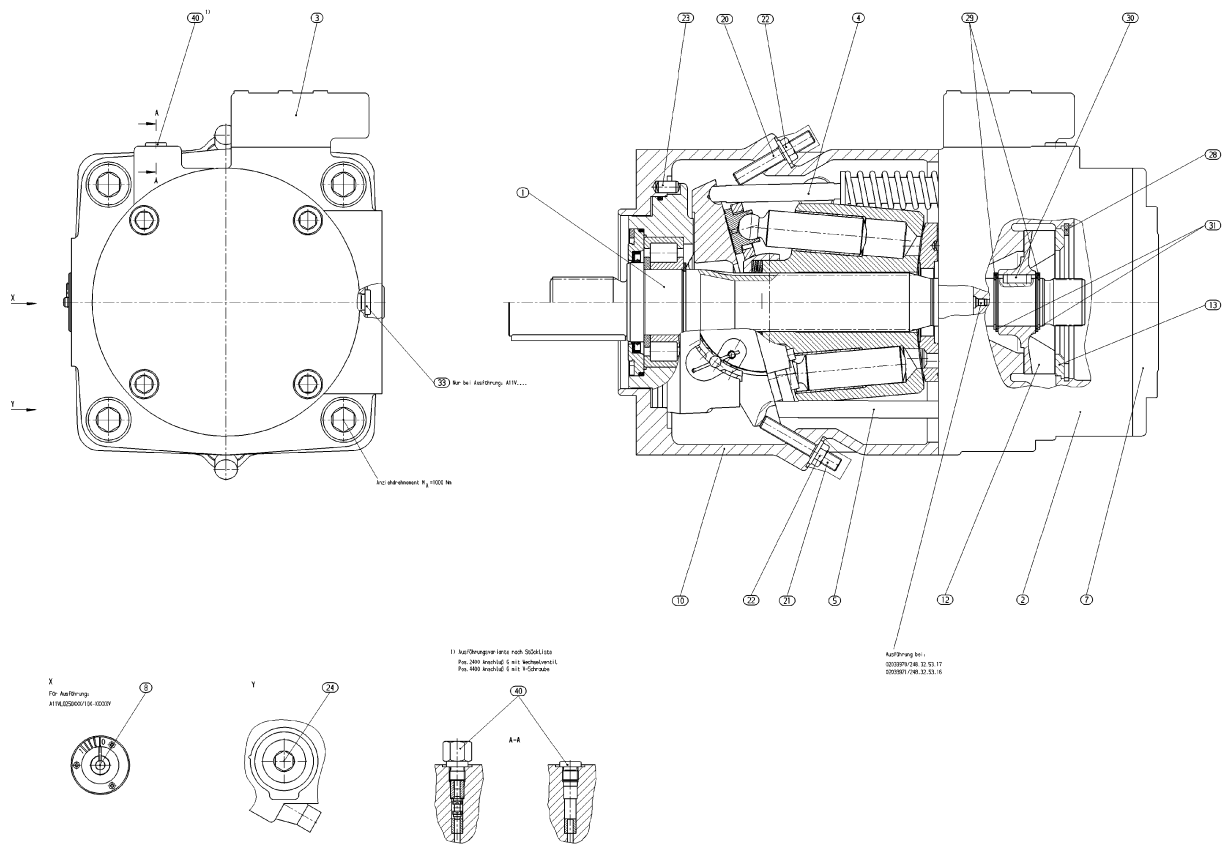
Product Unit
Axial Piston Units

Part No.: R909606604

Designation: AA11VLO250DRG/10R-NSD62N00

G

Drawing no.: R909714604



Spare parts list

Product Unit
Axial Piston Units

Part No.: R902026349
Designation: ROTARY GROUP

Drawing no.: R909703041

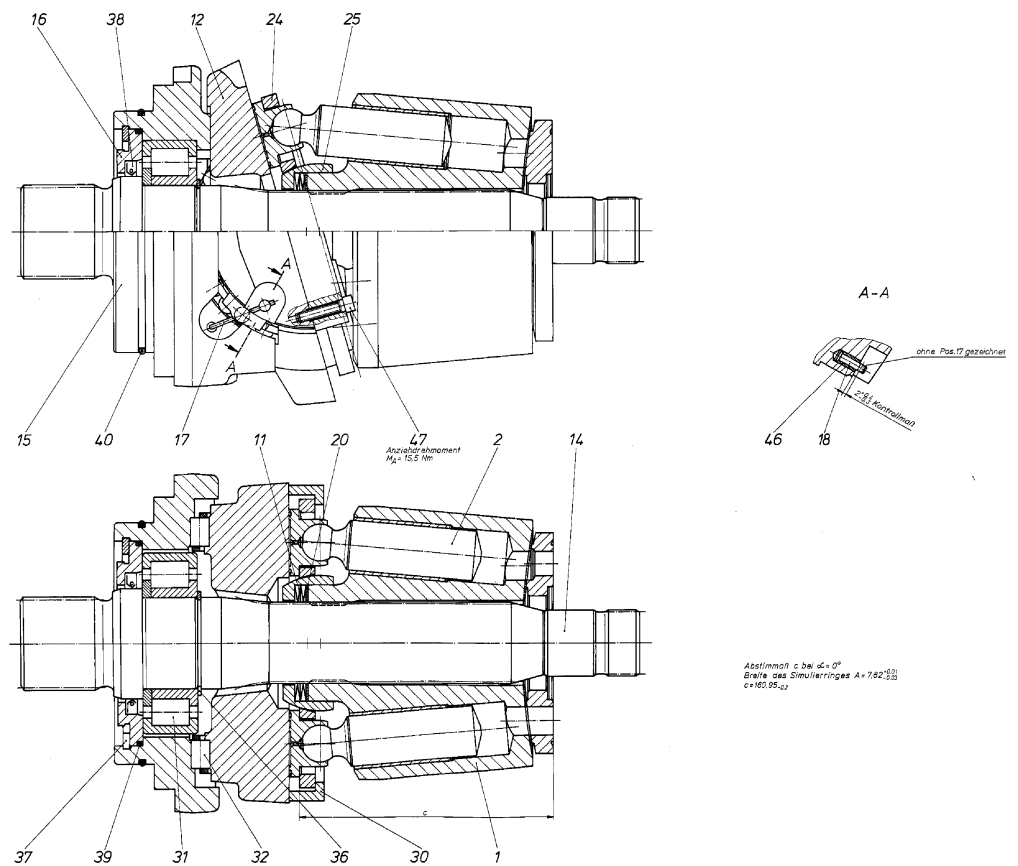
Pos.	Part No.	Designation	Quantity	
1	R909650923	CYLINDER WITH CONTROL PLATE	1 ST	
2	R909443141	PISTON-SLIPPER PAD	9 ST	
11	R909431527	CUP-SPRING STACK	1 ST	
12	R909443285	CRADLE	1 ST	
14	R909444423	DRIVE SHAFT	1 ST	
15	R909440158	BEARING FLANGE	1 ST	
16	R909432127	COVER	1 ST	D
17	R909403549	WIRE	2 ST	
18	R909076231	JOINT PIN	2 ST	
20	R909431476	SHIM	1 ST	
20	R909431477	SHIM	1 ST	
20	R909431478	SHIM	1 ST	
20	R909431475	SHIM	1 ST	
24	R909436295	RETAINING PLATE	1 ST	
25	R909431396	RETAINING BALL	1 ST	
30	R909431641	RETAINING SEGMENT	2 ST	
31	R909830885	PLAIN ROLLER BEARING	1 ST	
32	R909830650	CRADLE BEARING ASSEMBLY (SET)	1 ST	
36	R909084418	RETAINING RING	1 ST	
37	R909083420	RETAINING RING	1 ST	
38	R909831663	SHAFT SEAL RING	1 ST	D
39	R909083830	O-RING	1 ST	D
40	R909087850	O-RING	1 ST	D
46	R909153928	CLAMPING PIN	2 ST	
47	R909831331	SOCKET-HEAD SCREW	4 ST	
99	R902090530	ROTARY GROUP	1 ST	L

Spare parts list

Part No.: R902026349
Designation: ROTARY GROUP

Product Unit
Axial Piston Units

Drawing no.: R909703041



Spare parts list

Product Unit
Axial Piston Units

Part No.: R902090530
Designation: ROTARY GROUP

Drawing no.: R909703041

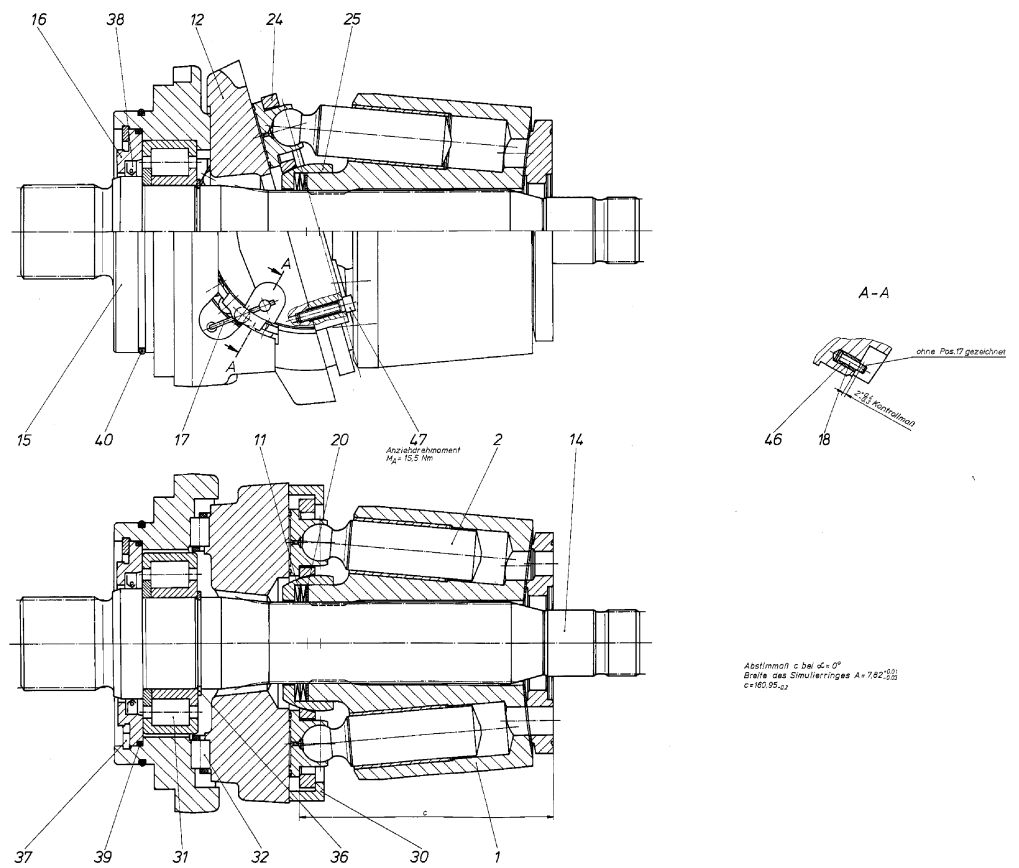
Pos.	Part No.	Designation	Quantity	
1	R902005613	CYLINDER WITH BUSHING	1 ST	
2	R909443141	PISTON-SLIPPER PAD	9 ST	
11	R909431527	CUP-SPRING STACK	1 ST	
12	R909443285	CRADLE	1 ST	
14	R909444423	DRIVE SHAFT	1 ST	
15	R909440158	BEARING FLANGE	1 ST	
16	R909432127	COVER	1 ST	D
17	R909403549	WIRE	2 ST	
18	R909076231	JOINT PIN	2 ST	
20	R909431476	SHIM	1 ST	
20	R909431477	SHIM	1 ST	
20	R909431475	SHIM	1 ST	
20	R909431478	SHIM	1 ST	
24	R909436295	RETAINING PLATE	1 ST	
25	R909431396	RETAINING BALL	1 ST	
30	R909431641	RETAINING SEGMENT	2 ST	
31	R909830885	PLAIN ROLLER BEARING	1 ST	
32	R909830650	CRADLE BEARING ASSEMBLY (SET)	1 ST	
36	R909084418	RETAINING RING	1 ST	
37	R909083420	RETAINING RING	1 ST	
38	R909831663	SHAFT SEAL RING	1 ST	D
39	R909083830	O-RING	1 ST	D
40	R909087850	O-RING	1 ST	D
46	R909153928	CLAMPING PIN	2 ST	
47	R909831331	SOCKET-HEAD SCREW	4 ST	

Spare parts list

Part No.: R902090530
Designation: ROTARY GROUP

Product Unit
Axial Piston Units

Drawing no.: R909703041



Spare parts list

Product Unit

Axial Piston Units

Part No.: R909441593

Designation: PORT PLATE WITH ACCESSORIES

Drawing no.: R909705667

Pos.	Part No.	Designation	Quantity	
5	R909443911	PORT PLATE, RIGHT-HAND ROTAT.	1 ST	
10	R909156665	PLAIN ROLLER BEARING	1 ST	
11	R909831133	O-RING	1 ST	D
12	R909087753	CYLINDER PIN	2 ST	
13	R909830529	CYLINDER PIN	1 ST	
14	R909830075	SOCKET-HEAD SCREW	4 ST	
15	R909831319	DOUBLE BREAK-OFF PIN	5 ST	D
16	R909153371	LOCKING SCREW	1 ST	D
17	R909154024	LOCKING SCREW	1 ST	D
18	R909156495	ORIFICE	1 ST	

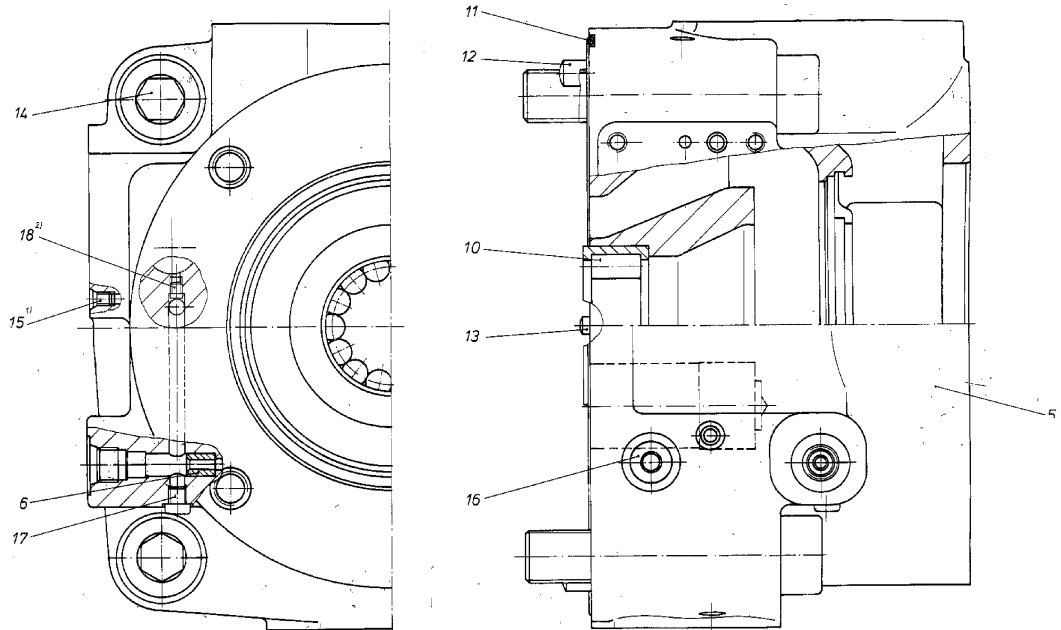
Spare parts list

Product Unit
Axial Piston Units

Part No.: R909441593

Designation: PORT PLATE WITH ACCESSORIES

Drawing no.: R909705667



2) Anziehdrehmoment $M_A = 5,5 \text{ Nm}$
1) mit Lochtiefe 262 geschnitten/abgedreht

Spare parts list

Product Unit

Axial Piston Units

Part No.: R909606605

Designation: REGULATOR

Drawing no.: R902075533

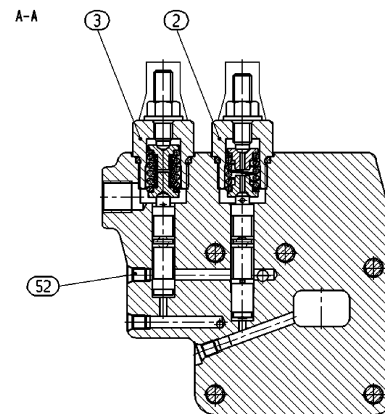
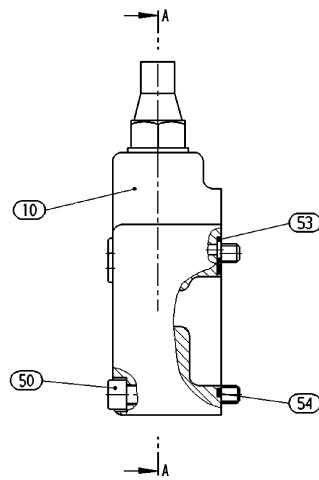
Pos.	Part No.	Designation	Quantity	
2	R902081425	CONTROL ELEMENT	1 ST	L
3	R909442207	CONTROL ELEMENT	1 ST	L
10	R902083020	CONTROL HOUSING	1 ST	
50	R909083044	SOCKET-HEAD SCREW	5 ST	
52	R909831318	DOUBLE BREAK-OFF PIN	5 ST	
53	R909157512	O-RING	3 ST	
54	R902600656	O-RING	1 ST	

Spare parts list

Part No.: R909606605
Designation: REGULATOR

Product Unit
Axial Piston Units

Drawing no.: R902075533



Spare parts list

Product Unit

Axial Piston Units

Part No.: R902081425

Designation: CONTROL ELEMENT

Drawing no.: R909725838

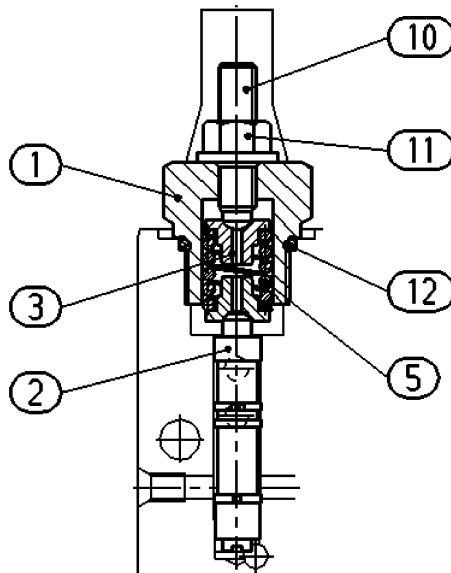
Pos.	Part No.	Designation	Quantity	
1	R909440779	LOCKING SCREW	1 ST	
2	R902081380	CONTROL PISTON	1 ST	
3	R909436991	SPRING BOLT	2 ST	
5	R909445707	PRESSURE SPRING	1 ST	
10	R909444953	THREADED PIN	1 ST	
11	R909152707	SEAL LOCK NUT	1 ST	D
12	R909083758	O-RING	1 ST	D

Spare parts list

Part No.: R902081425
Designation: CONTROL ELEMENT

Product Unit
Axial Piston Units

Drawing no.: R909725838



Spare parts list

Product Unit

Axial Piston Units

Part No.: R909442207

Designation: CONTROL ELEMENT

Drawing no.: R909725843

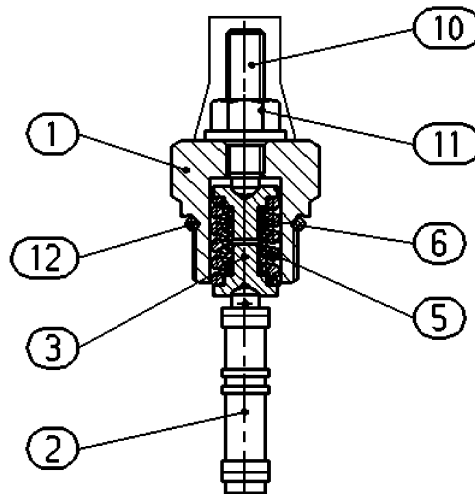
Pos.	Part No.	Designation	Quantity	
1	R909440779	LOCKING SCREW	1 ST	
2	R909443898	CONTROL PISTON	1 ST	
3	R909436409	SPRING BOLT	2 ST	
5	R909436394	PRESSURE SPRING	1 ST	
6	R909436395	PRESSURE SPRING	1 ST	
10	R909439097	THREADED PIN	1 ST	
11	R909152707	SEAL LOCK NUT	1 ST	D
12	R909083758	O-RING	1 ST	D

Spare parts list

Part No.: R909442207
Designation: CONTROL ELEMENT

Product Unit
Axial Piston Units

Drawing no.: R909725843



Spare parts list

Product Unit
Axial Piston Units

Part No.: R909434440
Designation: CONTROL, HYDRAULIC

Drawing no.: R909730303

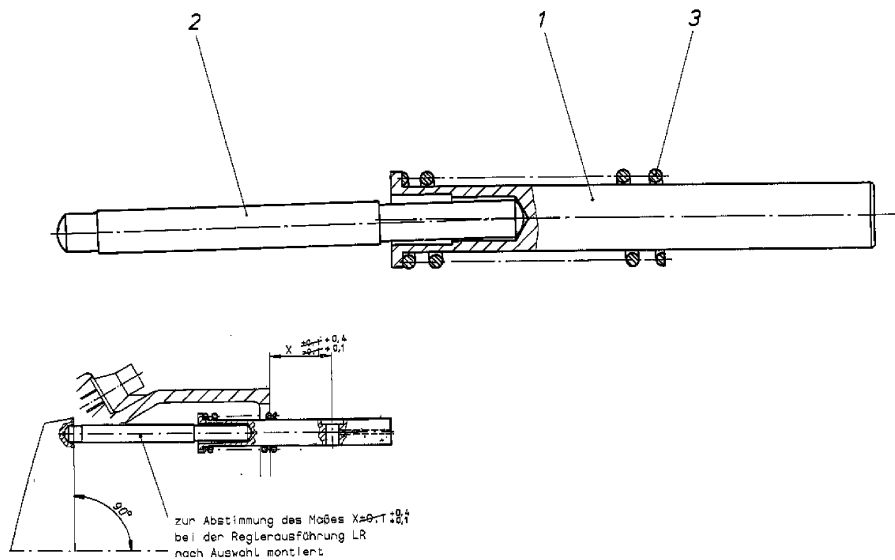
Pos.	Part No.	Designation	Quantity
1	R902005650	POSITIONING PISTON	1 ST
2	R909431567	ROD	1 ST
3	R909436737	PRESSURE SPRING	1 ST

Spare parts list

Part No.: R909434440
 Designation: CONTROL, HYDRAULIC

Product Unit
 Axial Piston Units

Drawing no.: R909730303



Pumpe	24B.30.xx.xx	24B.32.xx.xx
Verstellung	452.30.50.01	452.32.50.01
X	21	50,1

Spare parts list

Product Unit

Axial Piston Units

Part No.: R909433430

Designation: CONTROL, HYDRAULIC

Drawing no.: R909730306

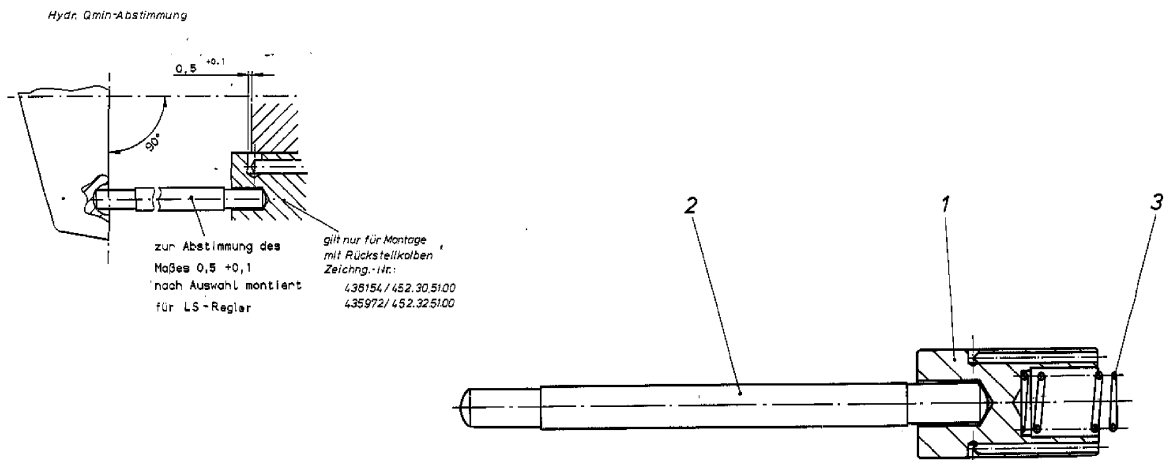
Pos.	Part No.	Designation	Quantity
1	R909435972	RETURN PISTON	1 ST
2	R909440353	RETURN ROD	1 ST
2	R909440354	RETURN ROD	1 ST
2	R909651023	RETURN ROD	1 ST
2	R909431566	RETURN ROD	1 ST
2	R909651024	RETURN ROD	1 ST
2	R902039340	RETURN ROD	1 ST
2	R902039341	RETURN ROD	1 ST
2	R902102310	RETURN ROD	1 ST
3	R909432464	PRESSURE SPRING	1 ST

Spare parts list

Part No.: R909433430
Designation: CONTROL, HYDRAULIC

Product Unit
Axial Piston Units

Drawing no.: R909730306



Spare parts list

Product Unit
Axial Piston Units

Part No.: R902013899
Designation: COVER WITH ACCESSORIES

Drawing no.: R909731944

Pos.	Part No.	Designation	Quantity	
1	R909432510	COVER	1 ST	
3	R909083210	SOCKET-HEAD SCREW	4 ST	
5	R909086428	O-RING	1 ST	D

Spare parts list

Part No.: R902013899

Designation: COVER WITH ACCESSORIES

Product Unit

Axial Piston Units

Drawing no.: R909731944

