

Spare parts list

Product Unit

Axial Piston Units

Part No.: R910909711

Designation: A A2V-SL 355 HD GR5GP RMVB14

Drawing no.: R910677604

Pos.	Part No.	Designation	Quantity	
1	R910909686	G A2V-SL 355 OV GX5GP	1 ST	L
2	R910919772	HYDR.VERST.A2V 355 HD AUFBAUPL	1 ST	L
3	R910751006	RMVB 14	1 ST	L

Safety Notes:

Service – and repair works have to be carried out by the Bosch Rexroth AG or their repair stations only. We do not grant any warranty for defects due to assembly, maintenance or repair not effected by the Bosch Rexroth AG or their repair stations.

L = Assembly group D = Sealing element

Status of version: 7/2006

Page: 1

Date: 25.08.2006

Spare parts list

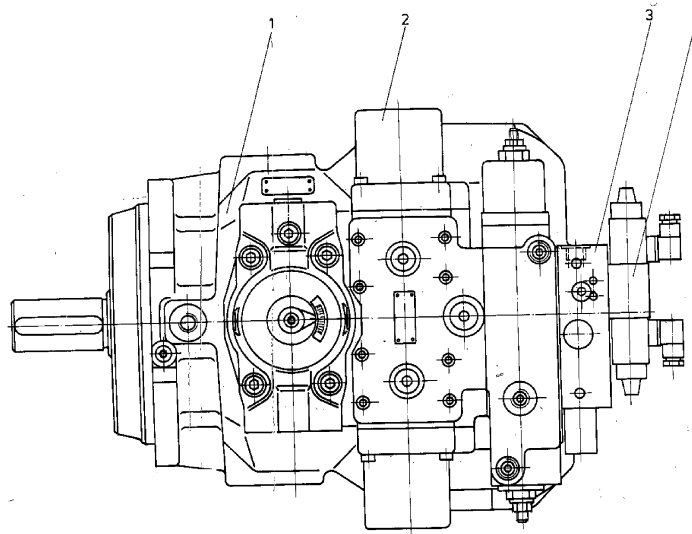
Part No.: R910909711

Designation: A A2V-SL 355 HD GR5GP RMVB14

Product Unit

Axial Piston Units

Drawing no.: R910677604



Spare parts list

Product Unit
Axial Piston Units

Part No.: R910909686
Designation: G A2V-SL 355 OV GX5GP

Drawing no.: R910909687

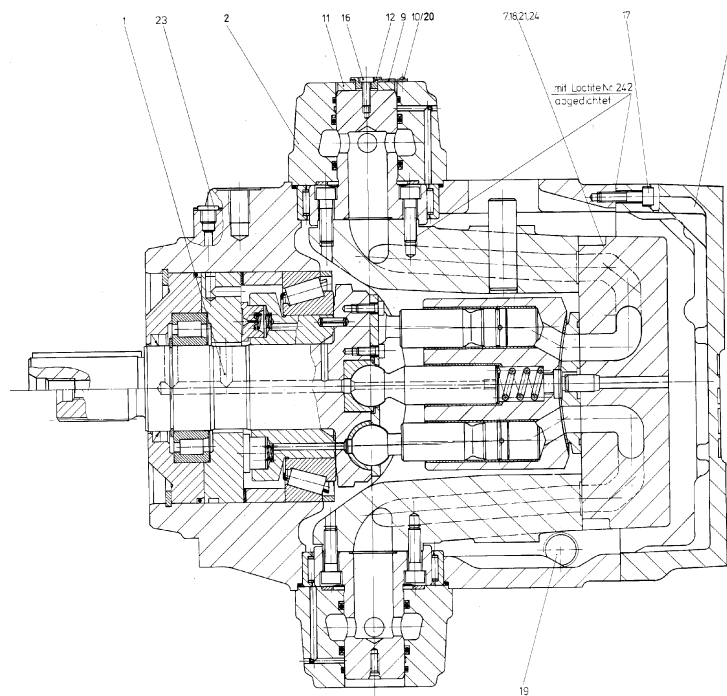
Pos.	Part No.	Designation	Quantity	
1	R910957933	TWE A2V SL 355'G' P	1 ST	L
2	R910629065	ROHRFL. A2V 355	2 ST	L
7	R910622931	STEUERSPIEGEL	1 ST	
8	R910629235	HOUSING COVER	1 ST	
9	R910629057	INDICATOR	1 ST	
10	R910630918	SKALENSCHILD	1 ST	
11	R910629197	SHIM	1 ST	
12	R910604623	BUSH	1 ST	
16	R910265667	ZYL.SCHR.M 8X 25 - 8.8 DIN 6912 #25NM	1 ST	
17	R910109649	ZYL.SCHR.M 10X 40 - 8.8 DIN 912 #51NM	14 ST	
18	R910486728	ZYL.SCHR.M 20X 70 -10.9 DIN 912 #620NM	8 ST	
19	R910632597	LOCKING SCREW	4 ST	D
20	R910101265	ROUND HEAD RIVET	2 ST	
21	R910602051	CYLINDER PIN	2 ST	D
23	R910531308	LOCKING SCREW	1 ST	D
24	R910616508	DICHTR. D 26X31,0X2,0-0,2 CU DIN 7603	4 ST	D

Spare parts list

Part No.: R910909686
Designation: G A2V-SL 355 OV GX5GP

Product Unit
Axial Piston Units

Drawing no.: R910909687



Spare parts list

Product Unit

Axial Piston Units

Part No.: R910957933

Designation: TWE A2V SL 355'G' P

Drawing no.: R910949582

Pos.	Part No.	Designation	Quantity	
1	R910742163	TW A2X-SL 355/X5PX	1 ST	L
5	R910628883	PUMP HOUSING	1 ST	
6	R910716359	ZYLINDERGEHAEUSE M. SCHWENKZ.	1 ST	
11	R910629391	NEEDLE BEARING	2 ST	
12	R910630934	O-RING	2 ST	D

Spare parts list

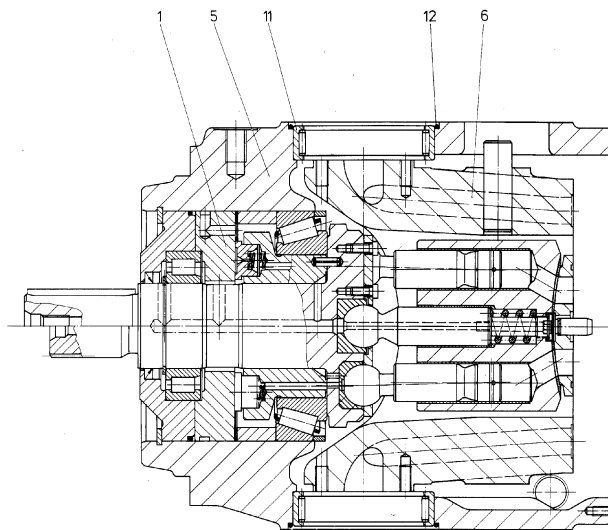
Part No.: R910957933

Designation: TWE A2V SL 355'G' P

Product Unit

Axial Piston Units

Drawing no.: R910949582



Spare parts list

Product Unit
Axial Piston Units

Part No.: R910742163
Designation: TW A2X-SL 355/X5PX

Drawing no.: R910903856

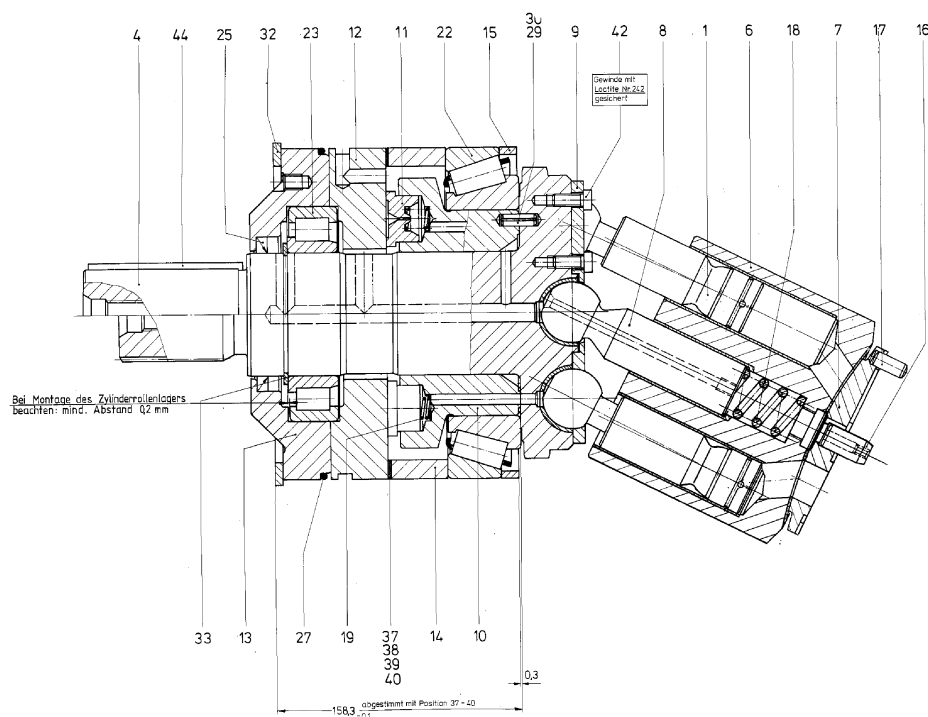
Pos.	Part No.	Designation	Quantity	
1	R910742457	PISTON	7 ST	
4	R910913929	DRIVE FLANGE	1 ST	
6	R910620386	CYLINDER	1 ST	
7	R910620408	CONTROL PLATE	1 ST	
8	R910795127	PRESSURE PIN	1 ST	
9	R910903490	RETAINING PLATE	1 ST	
10	R910742406	GLEITSCHUHTRAEGER	1 ST	
11	R910742465	GLEITSCHUH BG36/BR6 SL	7 ST	
12	R910742376	SLIPPER DISC	1 ST	
13	R910904245	SEAL FLANGE	1 ST	
14	R910742414	SPACER RING	1 ST	
15	R910742422	RING	1 ST	
16	R910788589	CENTERING BOLT	1 ST	
17	R910602051	CYLINDER PIN	1 ST	D
18	R910678775	SPRING	1 ST	
19	R910717207	SPRING	7 ST	
22	R902650818	KEGELROLLENLAGER 4T-74525/74845PX2 NTN	1 ST	
23	R910742481	PLAIN ROLLER BEARING	1 ST	
25	R910393681	WDR BAB SL 1,0 80X100X 7 75 V 595	1 ST	D
27	R910636355	O-RING	1 ST	D
29	R910117676	SPANNHUELSE 8X 24 DIN 1481	1 ST	
30	R910073598	SPANNHUELSE 5X 24 DIN 1481	1 ST	
32	R910513202	RETAINING RING	1 ST	
33	R910188026	RETAINING RING	1 ST	
37	R910621498	SHIM	1 ST	
38	R910516538	SHIM	1 ST	
39	R910516511	SHIM	1 ST	
40	R910516503	SHIM	2 ST	
42	R910110167	ZYL.SCHR.M 8X 20 -10.9 DIN 912 #37NM	14 ST	
44	R910103586	SHAFT KEY	1 ST	

Spare parts list

Product Unit
Axial Piston Units

Part No.: R910742163
Designation: TW A2X-SL 355/X5PX

Drawing no.: R910903856



Spare parts list

Product Unit
Axial Piston Units

Part No.: R910629065
Designation: ROHRFL. A2V 355

Drawing no.: R910629103

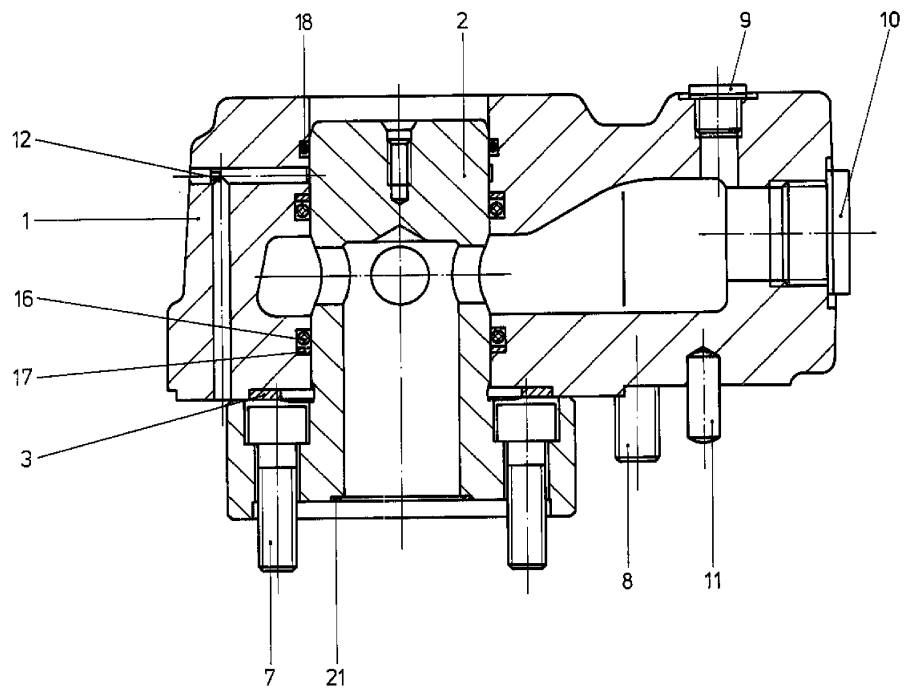
Pos.	Part No.	Designation	Quantity	
1	R910629146	ROHRFLANSCH	1 ST	
2	R910629138	BEARING PIVOT TRUNNION	1 ST	
3	R910667692	ADJUSTMENT SHIM	1 ST	
7	R910220264	SOCKET-HEAD SCREW	6 ST	
8	R910110272	ZYL.SCHR.M 14X 40 -10.9 DIN 912 #205NM	4 ST	
9	R910531308	LOCKING SCREW	1 ST	D
10	R910632597	LOCKING SCREW	1 ST	D
11	R910602051	CYLINDER PIN	1 ST	D
12	R910278378	HK-DICHTSTOPFEN HK050-CK11-111EXPANDER	1 ST	D
16	R910984335	DOU.-DEL.S.GS50188-1189-18+330- 8307 B+S	2 ST	D
18	R910102571	O-RING	1 ST	D
21	R910618098	DICHTR. D 38X44,0X2,0-0,2 CU DIN 7603	1 ST	D

Spare parts list

Product Unit
Axial Piston Units

Part No.: R910629065
Designation: ROHRFL. A2V 355

Drawing no.: R910629103



Spare parts list

Product Unit

Axial Piston Units

Part No.: R910919772

Designation: HYDR.VERST.A2V 355 HD AUFBAUPL

Drawing no.: R910902934

Pos.	Part No.	Designation	Quantity	
1	R910621145	HYDR.VERST.A2V 355 HD	1 ST	L
2	R910904279	ANSTEUERGER. F.ANSCHLUSSPL.	1 ST	L
3	R910606502	STOP	1 ST	L
4	R910901393	STOP	1 ST	L

Spare parts list

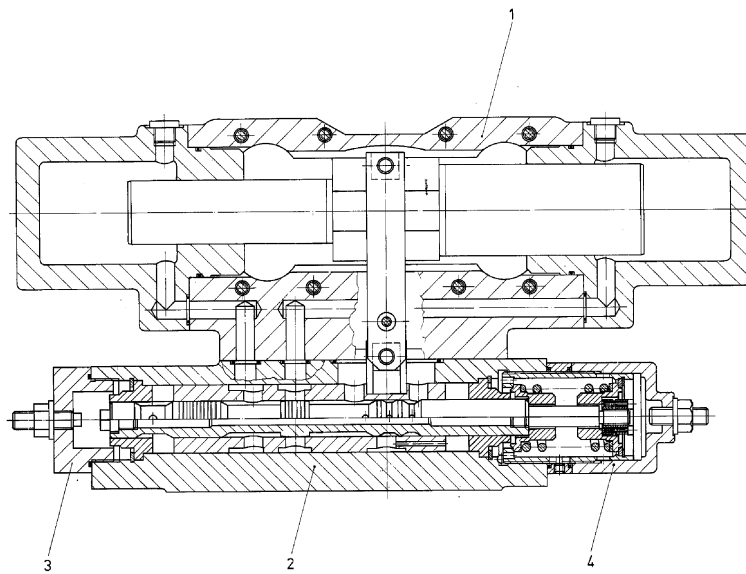
Part No.: R910919772

Designation: HYDR.VERST.A2V 355 HD AUFBAUPL

Product Unit

Axial Piston Units

Drawing no.: R910902934



Spare parts list

Product Unit
Axial Piston Units

Part No.: R910621145
Designation: HYDR.VERST.A2V 355 HD

Drawing no.: R910619884

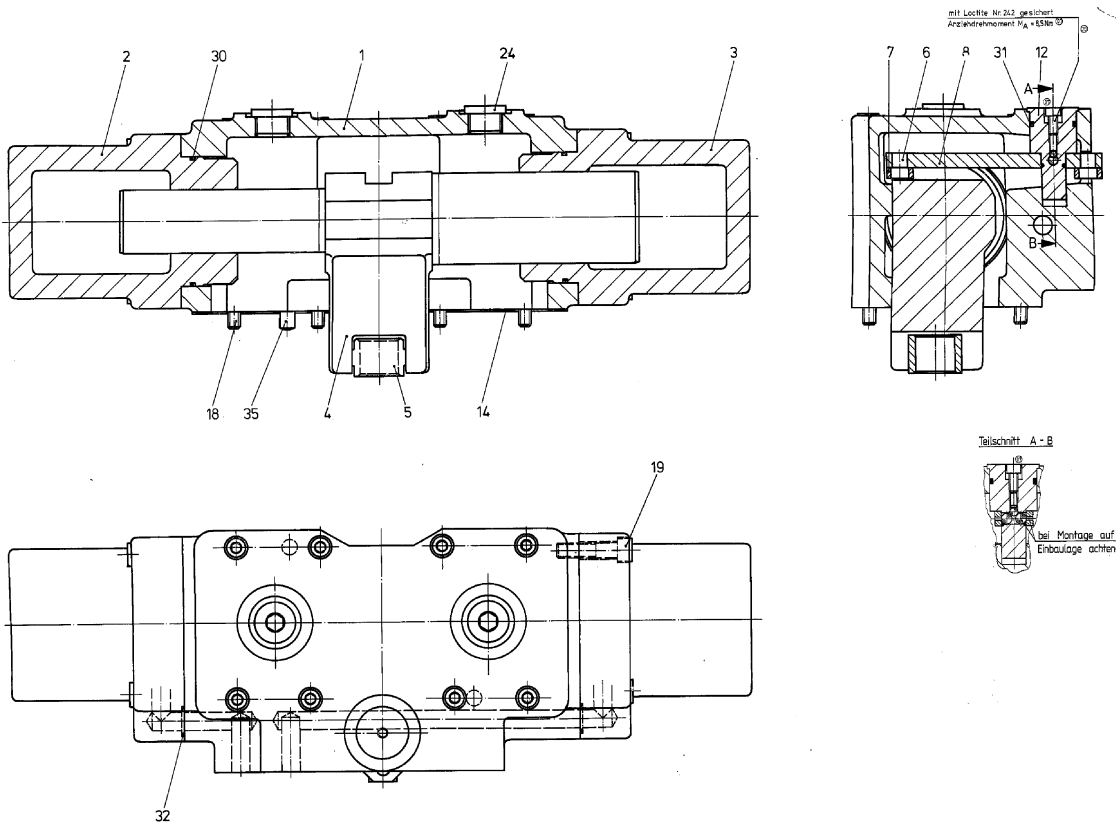
Pos.	Part No.	Designation	Quantity	
1	R910619876	VERSTELLGEHAEUSE	1 ST	
2	R910619949	VERSTELLZYLINDER	1 ST	
3	R910619922	VERSTELLZYLINDER	1 ST	
4	R910619892	CONTROL PISTON	1 ST	
5	R910619981	SLIDE RING	1 ST	
6	R910427853	MITNEHMERZAPFEN	2 ST	
7	R910428078	GLEITSTEIN A2V/P 250-1000 HD/5	2 ST	
8	R910619973	CONTROL LEVER	1 ST	
12	R910920188	BEARING PIVOT TRUNNION	1 ST	
14	R910619957	GASKET	1 ST	D
18	R910120286	ZYL.SCHR.M 8X130 - 8.8 DIN 912 #25NM	8 ST	
19	R910109649	ZYL.SCHR.M 10X 40 - 8.8 DIN 912 #51NM	8 ST	
24	R910533998	V-SCHRAUBE N 02.009-M 22X1,5 P # 60NM	2 ST	D
30	R910111902	O-RING	2 ST	D
31	R910660957	QUAD-RING 4213 -N7004 23,40X 3,53	1 ST	D
32	R910111082	O-RING	2 ST	D
35	R910602051	CYLINDER PIN	2 ST	D

Spare parts list

Part No.: R910621145
Designation: HYDR.VERST.A2V 355 HD

Product Unit
Axial Piston Units

Drawing no.: R910619884



Spare parts list

Product Unit

Axial Piston Units

Part No.: R910904279

Designation: ANSTEUERGER. F.ANSCHLUSSPL.

Drawing no.: R910641278

Pos.	Part No.	Designation	Quantity	
1	R910901342	ANSTEUERGER.A2V.BR5/INNENTEILE10-45	1 ST	L
2	R910901571	CONTROL HOUSING	1 ST	
8	R910188409	VALVE PISTON	1 ST	
9	R910531294	V-SCHRAUBE N 02.009-M 10X1 P # 10NM	4 ST	D
12	R909831318	DOUBLE BREAK-OFF PIN	2 ST	D
13	R910415235	V-SCHRAUBE N 02.009-M 18X1,5 -P # 40NM	2 ST	D
14	R910533998	V-SCHRAUBE N 02.009-M 22X1,5 P # 60NM	1 ST	D

Spare parts list

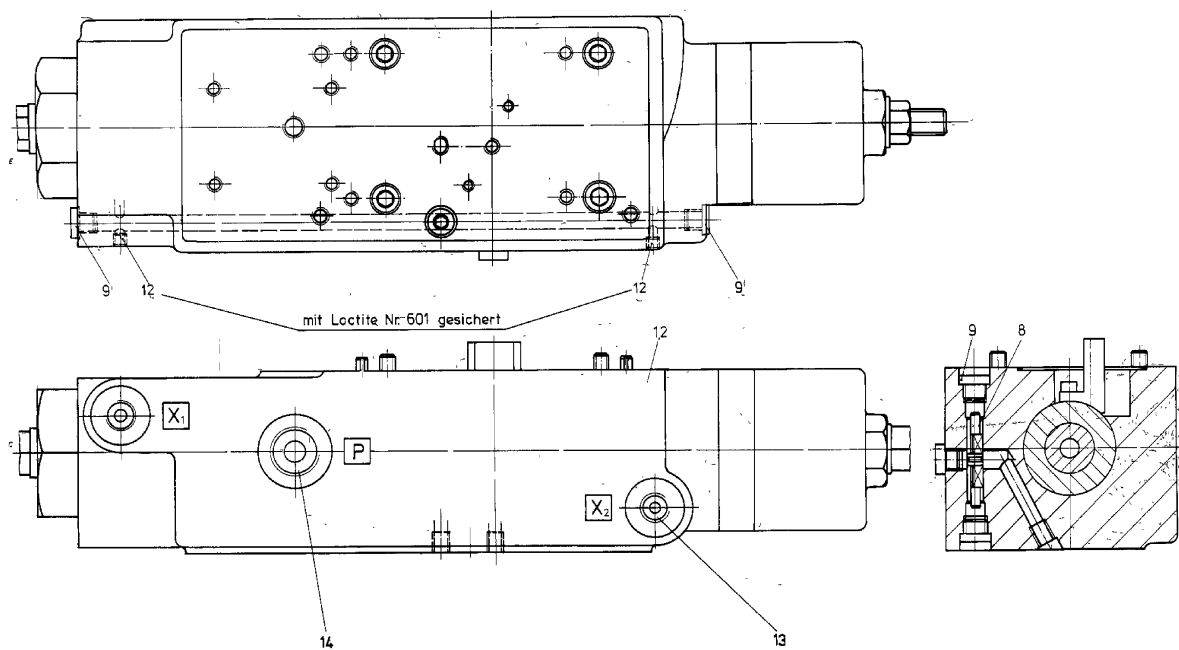
Part No.: R910904279

Designation: ANSTEUERGER. F.ANSCHLUSSPL.

Product Unit

Axial Piston Units

Drawing no.: R910641278



Spare parts list

Product Unit
Axial Piston Units

Part No.: R910901342
Designation: ANSTEUERGER.A2V.BR5/INNENTEILE10-45

Drawing no.: R910901369

Pos.	Part No.	Designation	Quantity	
1	R910616559	EINSTELLRING	1 ST	
2	R910911951	STELLKOLBEN	1 ST	
3	R910920258	PILOT SPOOL	1 ST	
4	R910784214	INTERMEDIATE DISC	2 ST	
5	R910423327	SPRING CAGE	1 ST	
6	R910684562	DP-ABREISSTOPF. M 6 S	1 ST	
7	R910920231	SPRING CAGE	2 ST	
11	R910421103	FOLLOWER	1 ST	
12	R910920169	LOCK NUT	1 ST	L
13	R910420549	SPRING	1 ST	
14	R910920223	THREADED BOLT	1 ST	
15	R910109215	ZYL.SCHR.M 5X 12 - 8.8 DIN 912 #6,1NM	2 ST	
16	R910109576	ZYL.SCHR.M 8X 90 - 8.8 DIN 912 #25NM	4 ST	
17	R910106879	SPANNHUELSE 6X 12 DIN 1481	2 ST	
18	R910111082	O-RING	2 ST	D
19	R910111805	O-RING	1 ST	D
20	R910111775	O-RING	2 ST	D
22	R910902101	RETAINING RING	2 ST	
23	R910105996	RETAINING RING	1 ST	
24	R910105473	BACK-UP PLATE	1 ST	
25	R910122939	SHIM	5 ST	
26	R910122912	SHIM	1 ST	
27	R910125032	VERSCHL.SCHR. PHR M 12X1,5 DIN 910	1 ST	
28	R910122904	SHIM	1 ST	
29	R910126284	SHIM	2 ST	
30	R910100277	DICHTR. D 14,0X18,0 -ST DIN 7603	1 ST	D

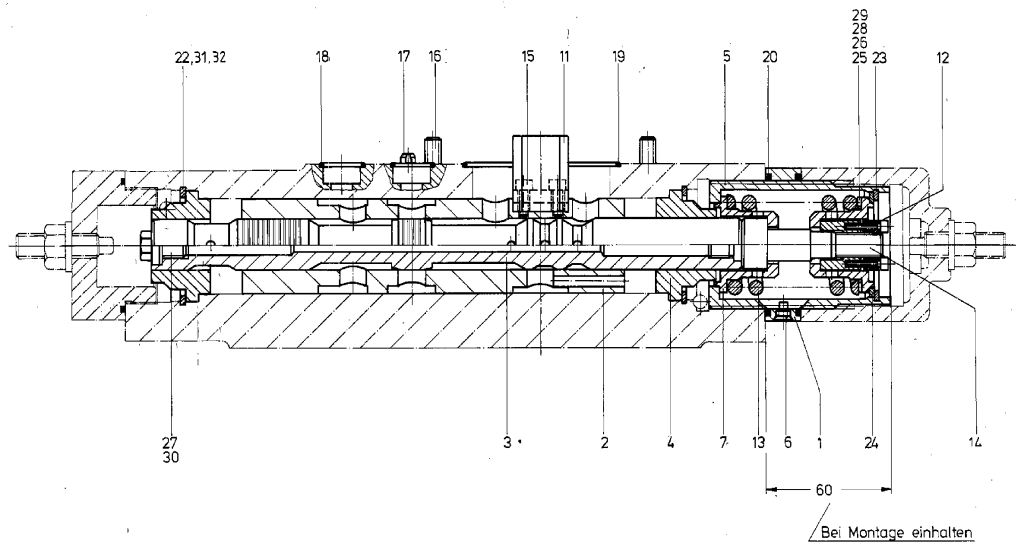
Spare parts list

Product Unit
Axial Piston Units

Part No.: R910901342

Designation: ANSTEUERGER.A2V.BR5/INNENTEILE10-45

Drawing no.: R910901369



Spare parts list

Product Unit
Axial Piston Units

Part No.: R910920169
Designation: LOCK NUT

Drawing no.: R910920185

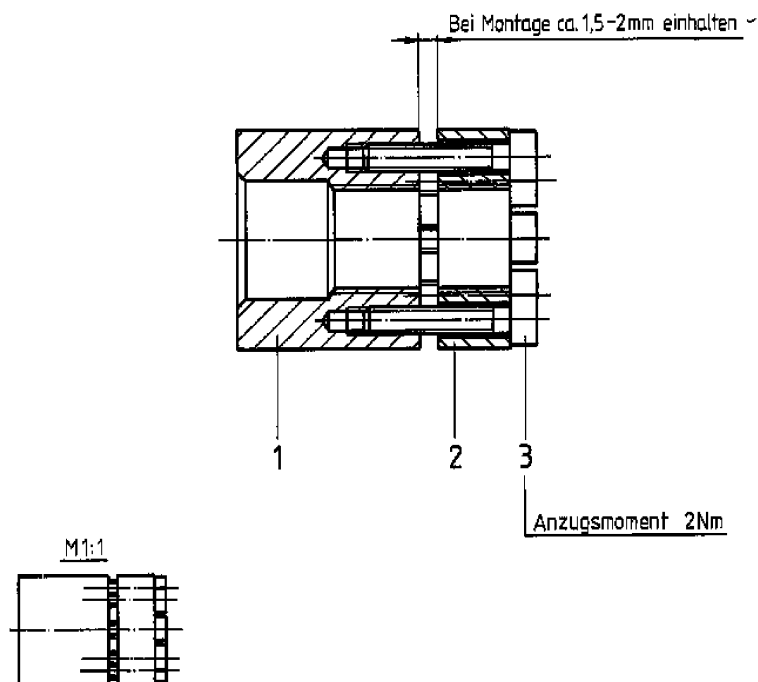
Pos.	Part No.	Designation	Quantity
1	R910920193	LOCKING PIECE	1 ST
2	R910920207	KONTERTEIL	1 ST
3	R910920215	ZYL.SCHR.M 3X 16 -12.9 DIN 912 #2,3NM	8 ST

Spare parts list

Part No.: R910920169
Designation: LOCK NUT

Product Unit
Axial Piston Units

Drawing no.: R910920185



Spare parts list

Part No.: R910606502

Designation: STOP

Product Unit

Axial Piston Units

Drawing no.: R910606464

Pos.	Part No.	Designation	Quantity	
1	R910606448	LOCKING CAP	1 ST	
2	R910339504	SEAL-LOCK-M. M12 BOELL0120230	1 ST	D
3	R909083529	THREADED PIN	1 ST	

Spare parts list

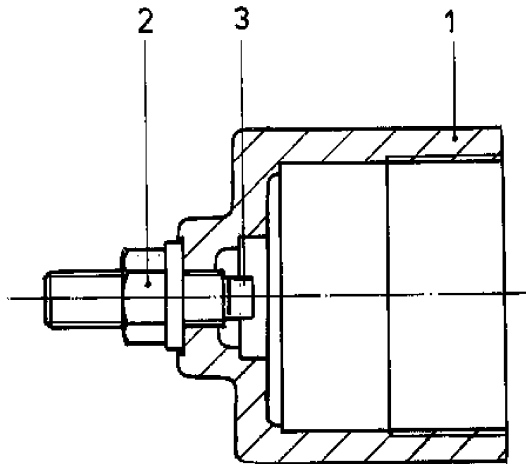
Part No.: R910606502

Designation: STOP

Product Unit

Axial Piston Units

Drawing no.: R910606464



Spare parts list

Part No.: R910901393
Designation: STOP

Product Unit
Axial Piston Units

Drawing no.: R910606472

Pos.	Part No.	Designation	Quantity	
1	R910784001	LOCKING SCREW	1 ST	
2	R910339504	SEAL-LOCK-M. M12 BOELL0120230	1 ST	D
3	R909083529	THREADED PIN	1 ST	
4	R910102601	O-RING	1 ST	D

Spare parts list

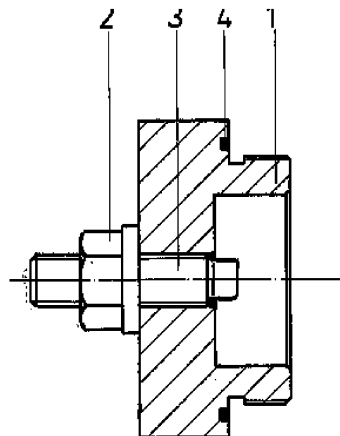
Part No.: R910901393

Designation: STOP

Product Unit

Axial Piston Units

Drawing no.: R910606472



Spare parts list

Product Unit
Axial Piston Units

Part No.: R910751006
Designation: RMBV 14

Drawing no.: R910750999

Pos.	Part No.	Designation	Quantity	
1	R910652474	PORT PLATE	1 ST	
4	R910640611	THROTTLE VALVE	1 ST	
5	R910640603	DBV DBDS 10 K 1X/100 RD25402 RR	1 ST	
6	R910108065	V-SCHR. PHR M 14X1,5 DIN 906 #10NM	3 ST	
7	R910533998	V-SCHRAUBE N 02.009-M 22X1,5 P # 60NM	2 ST	D
8	R910415235	V-SCHRAUBE N 02.009-M 18X1,5 -P # 40NM	3 ST	D
9	R910113115	V-SCHR. PHR M 12X1,5 DIN 906 #8NM	3 ST	
10	R910230545	LOCKING SCREW	9 ST	
12	R910415537	O-RING	1 ST	D
14	R910102032	O-RING 10 X2 N80	2 ST	D
15	R910102016	O-RING 8 X2 N80	4 ST	D
16	R910111082	O-RING	2 ST	D
18	R910120251	ZYL.SCHR.M 8X 65 - 8.8 DIN 912 #25NM	3 ST	
20	R910977595	ZYL.SCHR.M 5X 40 - 8.8 DIN 912 #6,1NM	4 ST	
22	R910100889	GEW.STIFT M 5X 5 -45H DIN 913	2 ST	D
23	R910531294	V-SCHRAUBE N 02.009-M 10X1 P # 10NM	2 ST	D
24	R910531421	ZYL.SCHR.M 6X 6 - 8.8 DIN 912 #10,4NM	2 ST	
25	R910100196	DICHTR. D 6,5X 9,5 -ST DIN 7603	2 ST	D

Spare parts list

Part No.: R910751006
Designation: RMBV 14

Product Unit
Axial Piston Units

Drawing no.: R910750999

