

Spare parts list

Product Unit

Axial Piston Units

Part No.: R902025639

Designation: A4FO28/31R-PSC02K01

G

Drawing no.: R909707643

Pos.	Part No.	Designation	Quantity	
1	R909434324	ROTARY GROUP	1 ST	L
2	R909429536	PORT PLATE WITH ACCESSORIES	1 ST	L
3	R909444905	HOUSING	1 ST	
5	R909428176	PUMP SUPPORT PLATE	1 ST	L
14	R909153815	LOCKING SCREW	2 ST	D
17	R909154589	O-RING	1 ST	D

Spare parts list

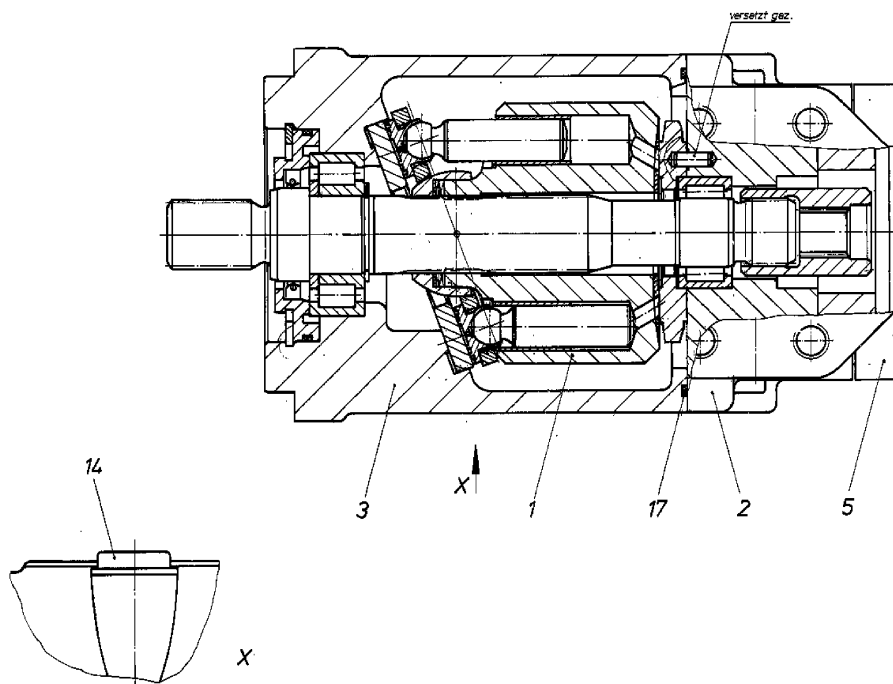
Product Unit
Axial Piston Units

Part No.: R902025639

Designation: A4FO28/31R-PSC02K01

G

Drawing no.: R909707643



Spare parts list

Product Unit
Axial Piston Units

Part No.: R909434324
Designation: ROTARY GROUP

Drawing no.: R909702930

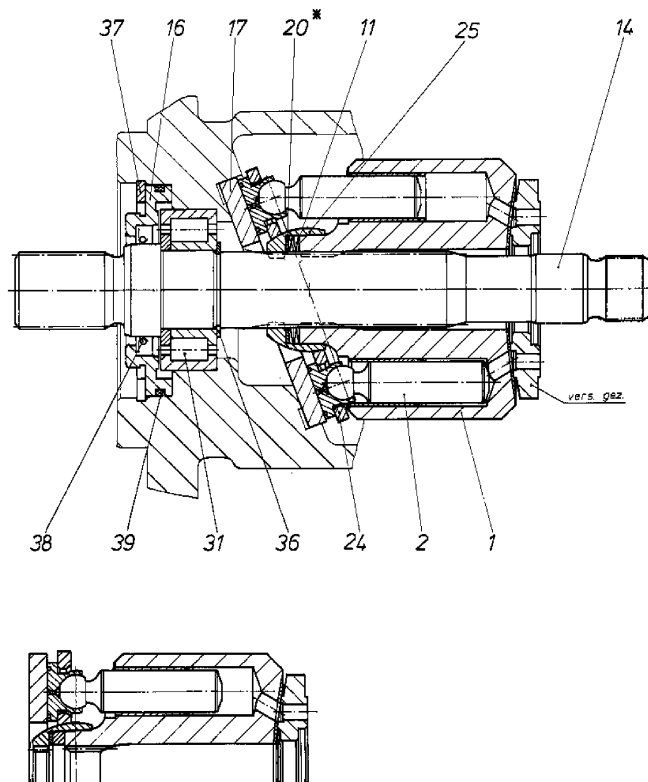
Pos.	Part No.	Designation	Quantity	
1	R909435791	CYLINDER WITH CONTROL PLATE	1 ST	
2	R909431514	PISTON-SLIPPER PAD	9 ST	
11	R909444151	CUP-SPRING STACK	1 ST	
14	R909435543	DRIVE SHAFT	1 ST	
16	R909419824	COVER	1 ST	D
17	R909430645	SLIPPER DISC	1 ST	
20	R909435000	SHIM	1 ST	
20	R909432999	SHIM	1 ST	
20	R909435001	SHIM	1 ST	
20	R909435002	SHIM	1 ST	
24	R909443284	RETAINING PLATE	1 ST	
25	R909431343	RETAINING BALL	1 ST	
31	R909157795	PLAIN ROLLER BEARING	1 ST	
36	R909083355	RETAINING RING	1 ST	
37	R909083410	RETAINING RING	1 ST	
38	R909153249	SHAFT SEAL RING	1 ST	D
39	R909150068	O-RING	1 ST	D

Spare parts list

Part No.: R909434324
Designation: ROTARY GROUP

Product Unit
Axial Piston Units

Drawing no.: R909702930



Spare parts list

Product Unit

Axial Piston Units

Part No.: R909429536

Designation: PORT PLATE WITH ACCESSORIES

Drawing no.: R909705158

Pos.	Part No.	Designation	Quantity	
1	R909921363	PORT PLATE	1 ST	
4	R909087755	CYLINDER PIN	1 ST	
5	R909083087	SOCKET-HEAD SCREW	4 ST	
6	R909087694	CYLINDER PIN	2 ST	
7	R909153245	PLAIN ROLLER BEARING	1 ST	
8	R909083790	O-RING	1 ST	D
10	R909831318	DOUBLE BREAK-OFF PIN	1 ST	

Spare parts list

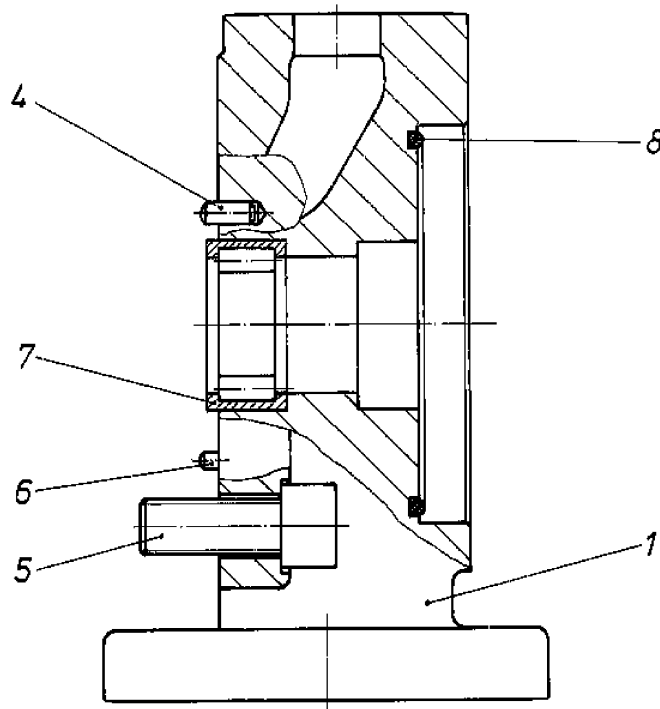
Part No.: R909429536

Designation: PORT PLATE WITH ACCESSORIES

Product Unit

Axial Piston Units

Drawing no.: R909705158



Spare parts list

Product Unit
Axial Piston Units

Part No.: R909428176
Designation: PUMP SUPPORT PLATE

Drawing no.: R909731976

Pos.	Part No.	Designation	Quantity	
1	R909445178	FLANGE	1 ST	
2	R909430664	STUB SHAFT	1 ST	
5	R909083036	SOCKET-HEAD SCREW	4 ST	
6	R909086725	O-RING	1 ST	D

Spare parts list

Part No.: R909428176
Designation: PUMP SUPPORT PLATE

Product Unit
Axial Piston Units

Drawing no.: R909731976

