

Spare parts list

Product Unit  
Axial Piston Units

Part No.: R909423478

Designation: AA4V56HD1R3G1A11-S

\*G\*

Drawing no.: R909706235

Pos.	Part No.	Designation	Quantity	
1	R909423479	ROTARY GROUP	1 ST	L
2	R909414468	HYDRAULIC CONTROL	1 ST	L
3	R909405574	PORT PLATE WITH VALVES	1 ST	L
4	R909404646	INTERNAL GEAR PUMP	1 ST	L
6	R909405708	CONTROL MODULE	1 ST	L
7	R909427895	CONTROL CARTRIDGE	1 ST	L
9	R909408038	PUMP SUPPORT PLATE	1 ST	L
10	R909405949	HOUSING WITH BUSH	1 ST	
11	R909401634	FLANGE	1 ST	
12	R909414043	CONNECTING AGAINST TORSION	1 ST	
12	R909414044	CONNECTING AGAINST TORSION	1 ST	
13	R909405757	ECCENTRIC SCREW	1 ST	
14	R909400357	PIPE WITH ACCESORIES	1 ST	L
15	R909425992	SLIDE RING	1 ST	
20	R909153339	LOCKING SCREW	1 ST	D
21	R909154478	LOCKING SCREW	5 ST	D
24	R909083761	O-RING	1 ST	D
25	R909083825	O-RING	1 ST	D
26	R909153271	SEAL LOCK NUT	1 ST	D
27	R909831318	DOUBLE BREAK-OFF PIN	1 ST	
29	R909156492	ORIFICE	2 ST	D
30	R909153817	SOCKET-HEAD SCREW	4 ST	
40	R909416180	HYDRAULIC LINE	1 ST	L

## Spare parts list

Product Unit  
Axial Piston Units

Part No.: R909423479  
Designation: ROTARY GROUP

Drawing no.: R909705082

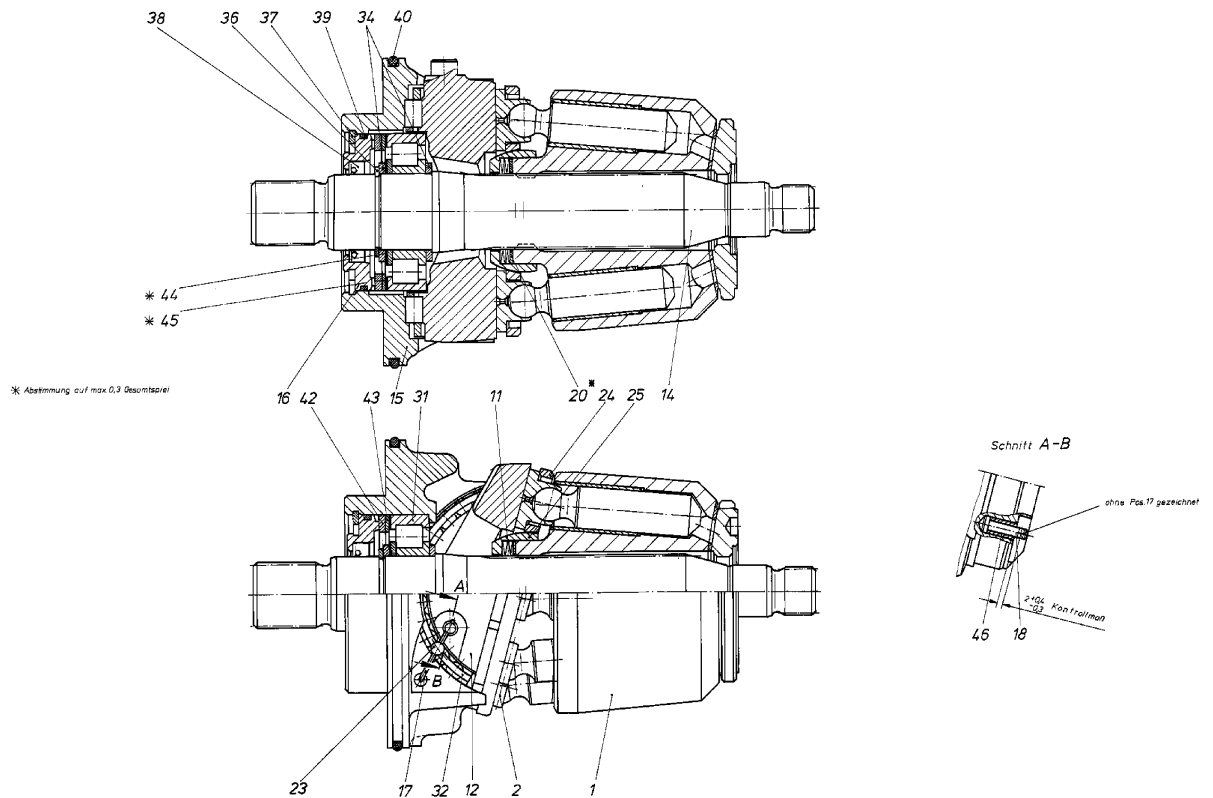
Pos.	Part No.	Designation	Quantity	
1	R909405630	CYLINDER WITH CONTROL PLATE	1 ST	
2	R909440190	PISTON-SLIPPER PAD	9 ST	
11	R909074126	CUP-SPRING STACK	1 ST	
12	R909431357	CRADLE	1 ST	
14	R909417001	DRIVE SHAFT	1 ST	
15	R909080294	BEARING FLANGE	1 ST	
16	R909069525	COVER	1 ST	D
17	R909076233	WIRE	2 ST	
18	R909076231	JOINT PIN	2 ST	
20	R909078317	SHIM	1 ST	
20	R909411553	SHIM	1 ST	
20	R909411554	SHIM	1 ST	
20	R909078316	SHIM	1 ST	
23	R909401842	ROLLER	2 ST	
24	R909431014	RETAINING PLATE	1 ST	
25	R909426454	RETAINING BALL	1 ST	
31	R909153801	PLAIN ROLLER BEARING	1 ST	
32	R909154734	CRADLE BEARING ASSEMBLY ( SET)	1 ST	
34	R909153183	BACK-UP PLATE	2 ST	
36	R909083360	RETAINING RING	1 ST	
37	R909083412	RETAINING RING	1 ST	
38	R909153179	SHAFT SEAL RING	1 ST	D
39	R909084462	O-RING	1 ST	D
40	R909085366	O-RING	1 ST	D
42	R909087188	BACK-UP PLATE	1 ST	D
43	R909086815	SHIM	1 ST	
44	R909086707	SHIM	1 ST	
44	R909086706	SHIM	1 ST	
45	R909153354	SHIM	1 ST	
45	R909153353	SHIM	1 ST	
46	R909153928	CLAMPING PIN	2 ST	

Spare parts list

Part No.: R909423479  
Designation: ROTARY GROUP

Product Unit  
Axial Piston Units

Drawing no.: R909705082



**Spare parts list**

Product Unit

Axial Piston Units

Part No.: R909414468

Designation: HYDRAULIC CONTROL

Drawing no.: R909730013

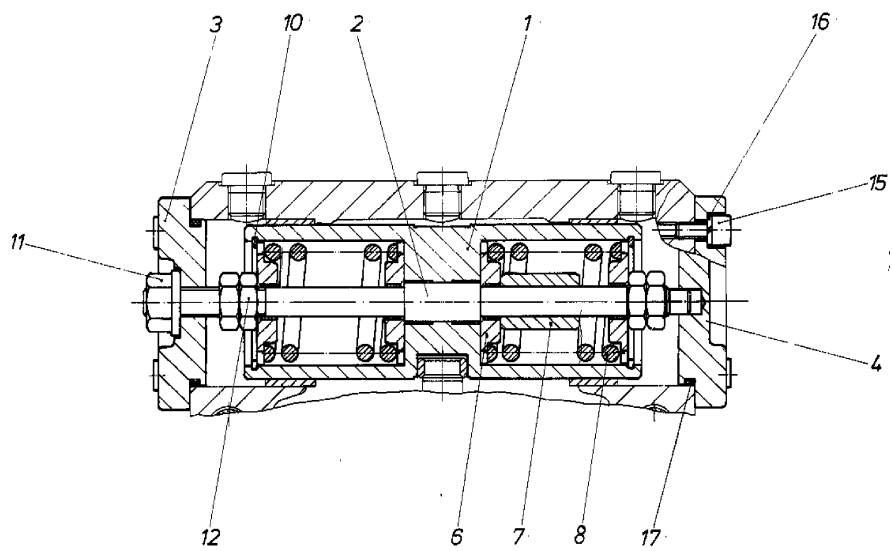
Pos.	Part No.	Designation	Quantity	
1	R909651773	POSITIONING PISTON	1 ST	
2	R909414460	ROD	1 ST	
3	R909400425	COVER	1 ST	
4	R909414456	COVER	1 ST	
6	R909404798	SPRING PLATE WITH DU-BUSH	4 ST	
7	R909078353	SPACER BUSH	1 ST	
7	R909078113	SPACER BUSH	2 ST	
7	R909078354	SPACER BUSH	1 ST	
8	R909418170	PRESSURE SPRING	2 ST	
10	R909083400	RETAINING RING	2 ST	
11	R909153271	SEAL LOCK NUT	1 ST	D
12	R902017521	HEXAGON NUT	4 ST	
15	R909083018	SOCKET-HEAD SCREW	8 ST	
16	R909083249	LOCK WASHER	8 ST	
17	R909086804	O-RING	2 ST	D

## Spare parts list

Part No.: R909414468  
Designation: HYDRAULIC CONTROL

Product Unit  
Axial Piston Units

Drawing no.: R909730013



**Spare parts list**Product Unit  
Axial Piston UnitsPart No.: R909405574  
Designation: PORT PLATE WITH VALVES

Drawing no.: R909705362

Pos.	Part No.	Designation	Quantity	
1	R909417693	PRESSURE RELIEF VALVE	2 ST	L
2	R909423981	PRESSURE RELIEF VALVE	1 ST	L
5	R909405568	PORT PLATE	1 ST	
7	R909153288	SOCKET-HEAD SCREW	4 ST	
8	R909157083	QUAD BONDET RING	2 ST	D
9	R909083821	O-RING	1 ST	D
11	R909831318	DOUBLE BREAK-OFF PIN	1 ST	
12	R909154478	LOCKING SCREW	2 ST	D
13	R909153339	LOCKING SCREW	1 ST	D
17	R909078295	DOUBLE BREAK-OFF PIN	1 ST	
18	R909079500	CHECK VALVE	2 ST	L
19	R909078306	CLUTCH HUB	1 ST	
22	R909153189	PLAIN ROLLER BEARING	1 ST	
23	R909152509	SNAP RING	1 ST	
26	R909153338	LOCKING SCREW	2 ST	D
40	R909830409	CLAMPING PIN	1 ST	

Spare parts list

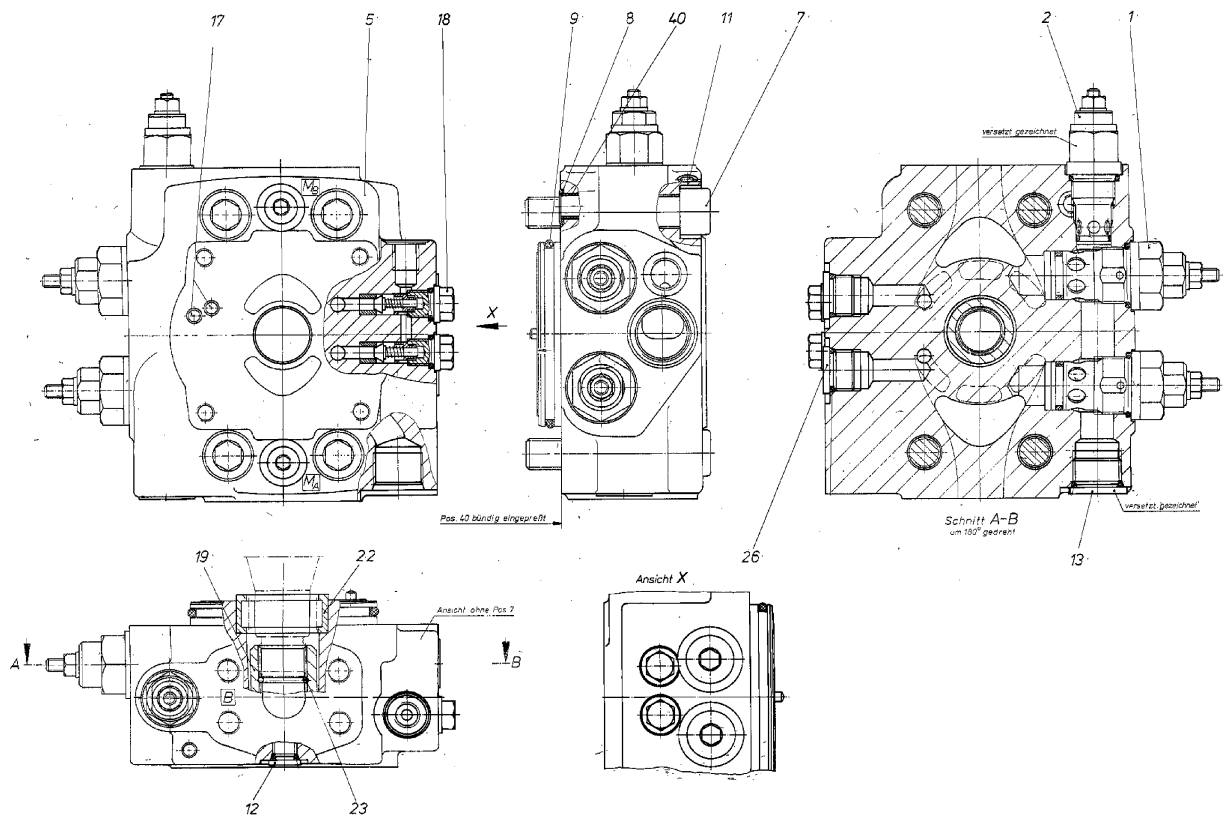
Part No.: R909405574

Designation: PORT PLATE WITH VALVES

Product Unit

Axial Piston Units

Drawing no.: R909705362



**Spare parts list**Product Unit  
Axial Piston UnitsPart No.: R909417693  
Designation: PRESSURE RELIEF VALVE

Drawing no.: R909730992

Pos.	Part No.	Designation	Quantity	
1	R909402836	VALVE BUSHING	1 ST	
2	R909417695	SPRING CAGE	1 ST	
3	R909426809	PISTON	1 ST	
4	R909402839	RING PISTON	1 ST	
5	R909426826	VALVE COLLAR	1 ST	
6	R909443630	VALVE POPPET	1 ST	
7	R909402842	SPRING COLLAR	1 ST	
9	R909426810	PRESSURE SPRING	1 ST	
10	R909443624	PRESSURE SPRING	1 ST	
12	R909154140	THREADED PIN	1 ST	
13	R909152425	SEAL LOCK NUT	1 ST	D
14	R909083757	O-RING	2 ST	D
15	R909083761	O-RING	1 ST	D
16	R909831883	STEEL SEALING RING	1 ST	

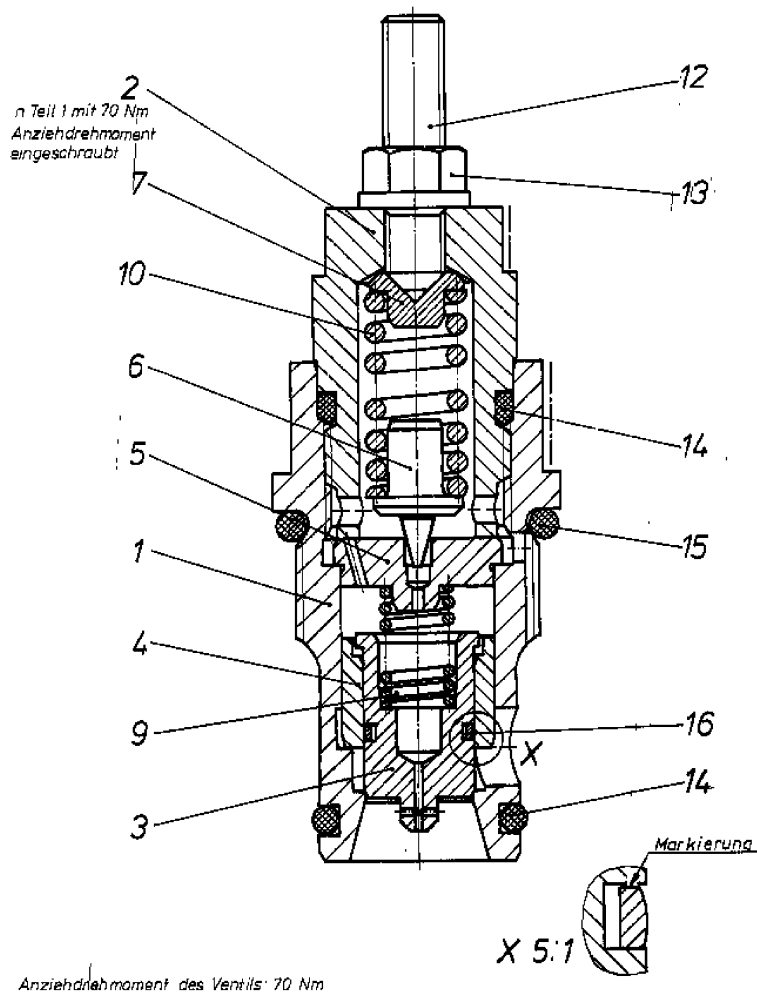


Spare parts list

Part No.: R909417693  
Designation: PRESSURE RELIEF VALVE

Product Unit  
Axial Piston Units

Drawing no.: R909730992



## Spare parts list

Product Unit

Axial Piston Units

Part No.: R909423981

Designation: PRESSURE RELIEF VALVE

Drawing no.: R909730862

Pos.	Part No.	Designation	Quantity	
1	R909426112	VALVE BUSHING	1 ST	
2	R909426114	VALVE PISTON	1 ST	
3	R909435123	LOCKING SCREW	1 ST	
4	R909424574	SPRING COLLAR	2 ST	
5	R909426115	PRESSURE SPRING	1 ST	
9	R909154140	THREADED PIN	1 ST	
10	R909152425	SEAL LOCK NUT	1 ST	D
11	R909086333	O-RING	1 ST	D
12	R909083757	O-RING	1 ST	D
13	R909086435	O-RING	1 ST	D

## Spare parts list

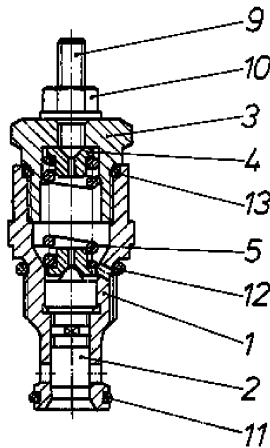
Part No.: R909423981

Designation: PRESSURE RELIEF VALVE

Product Unit

Axial Piston Units

Drawing no.: R909730862



## Spare parts list

Product Unit  
Axial Piston Units

Part No.: R909079500  
Designation: CHECK VALVE

Drawing no.: R909731336

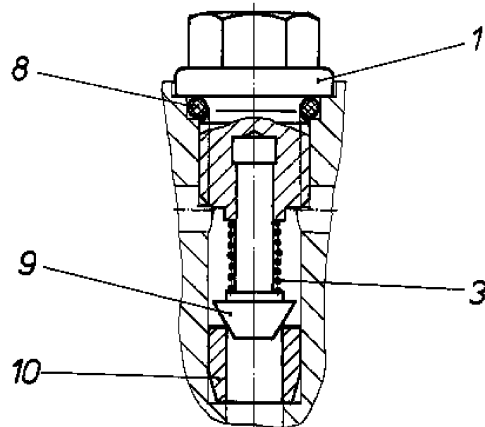
Pos.	Part No.	Designation	Quantity	
1	R909424595	VALVE SCREW	1 ST	
3	R909002466	PRESSURE SPRING	1 ST	
8	R909083749	O-RING	1 ST	D
9	R909154215	VALVE POPPET	1 ST	
10	R909085836	POPPET SEAT	1 ST	

## Spare parts list

Part No.: R909079500  
Designation: CHECK VALVE

Product Unit  
Axial Piston Units

Drawing no.: R909731336



**Spare parts list**

Product Unit

Axial Piston Units

Part No.: R909404646

Designation: INTERNAL GEAR PUMP

Drawing no.: R909723560

Pos.	Part No.	Designation	Quantity	
1	R909404647	PUMP COVER	1 ST	L
5	R909069490	BEARING BUSHING	1 ST	
8	R909079492	SANDWICH PLATE	1 ST	
10	R909084162	CYLINDER PIN	2 ST	
11	R909083748	O-RING	2 ST	D
16	R909084461	O-RING	1 ST	D

L = Assembly group    D = Sealing element

Status of version: 2/2005

Page: 14

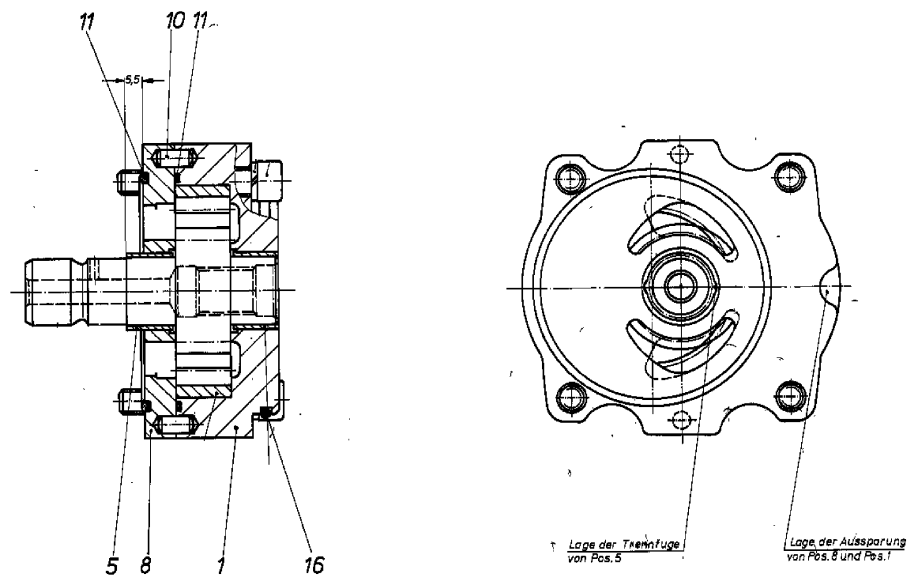
Date: 18.05.2005

## Spare parts list

Part No.: R909404646  
Designation: INTERNAL GEAR PUMP

Product Unit  
Axial Piston Units

Drawing no.: R909723560



## Spare parts list

Product Unit  
Axial Piston Units

Part No.: R909404647  
Designation: PUMP COVER

Drawing no.: R909723605

Pos.	Part No.	Designation	Quantity
1	R909080212	PUMP COVER	1 ST
2	R909445962	ANNULAR GEARS	1 ST
3	R909404648	PINION SHAFT	1 ST
5	R909069490	BEARING BUSHING	1 ST

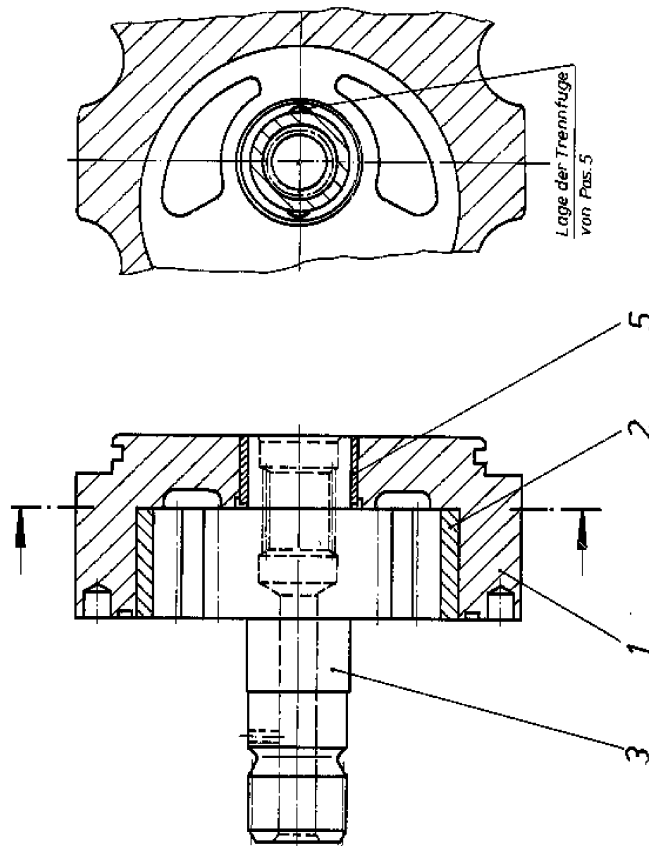


## Spare parts list

Part No.: R909404647  
Designation: PUMP COVER

Product Unit  
Axial Piston Units

Drawing no.: R909723605



## Spare parts list

Product Unit  
Axial Piston Units

Part No.: R909405708  
Designation: CONTROL MODULE

Drawing no.: R909726138

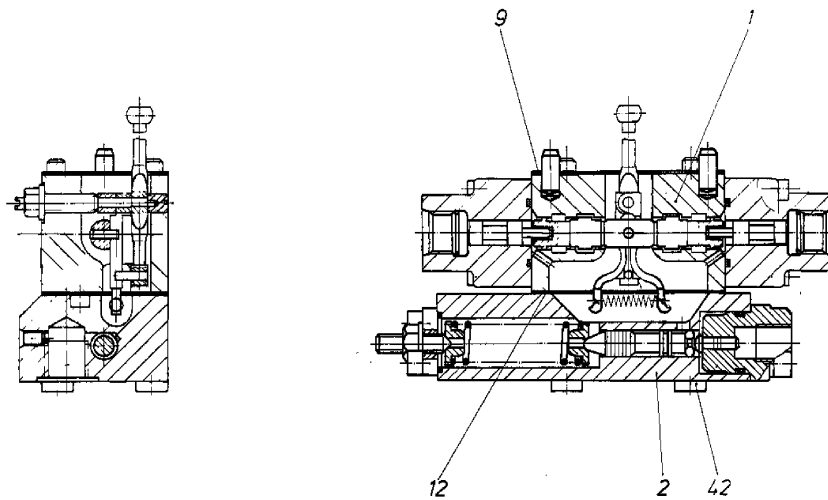
Pos.	Part No.	Designation	Quantity	
1	R909424469	CONTROL MODULE	1 ST	L
2	R909420966	PRESSURE OVERRIDE VALVE	1 ST	L
9	R902066611	GASKET	1 ST	
12	R902050037	GASKET	1 ST	D
42	R909085700	SOCKET-HEAD SCREW	4 ST	D

## Spare parts list

Part No.: R909405708  
Designation: CONTROL MODULE

Product Unit  
Axial Piston Units

Drawing no.: R909726138



**Spare parts list**

Product Unit

Axial Piston Units

Part No.: R909424469

Designation: CONTROL MODULE

Drawing no.: R909726130

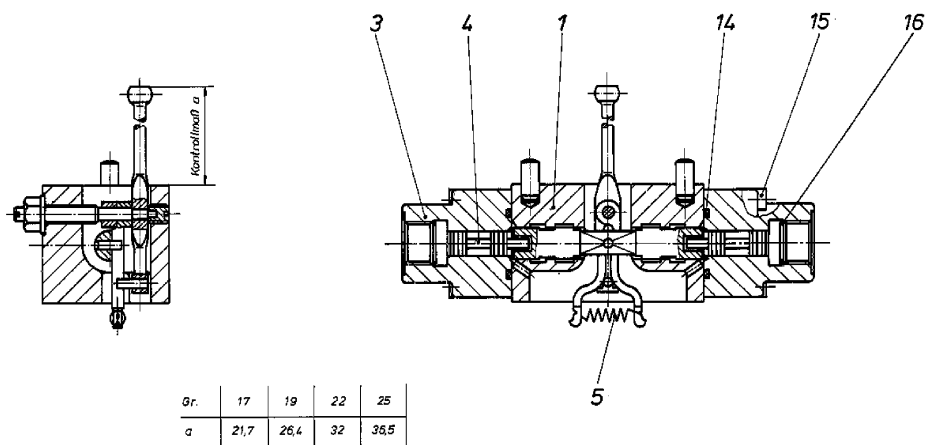
Pos.	Part No.	Designation	Quantity	
1	R909404606	HOUSING	1 ST	L
3	R909651540	HOUSING	2 ST	
4	R909439379	PISTON	2 ST	
5	R909921218	DRAW SPRING	1 ST	
14	R909083737	O-RING	2 ST	D
15	R909083005	SOCKET-HEAD SCREW	8 ST	
16	R909156539	SNAP RING	2 ST	

Spare parts list

Product Unit  
Axial Piston Units

Part No.: R909424469  
Designation: CONTROL MODULE

Drawing no.: R909726130



**Spare parts list**

Product Unit

Axial Piston Units

Part No.: R909404606  
Designation: HOUSING

Drawing no.: R909726384

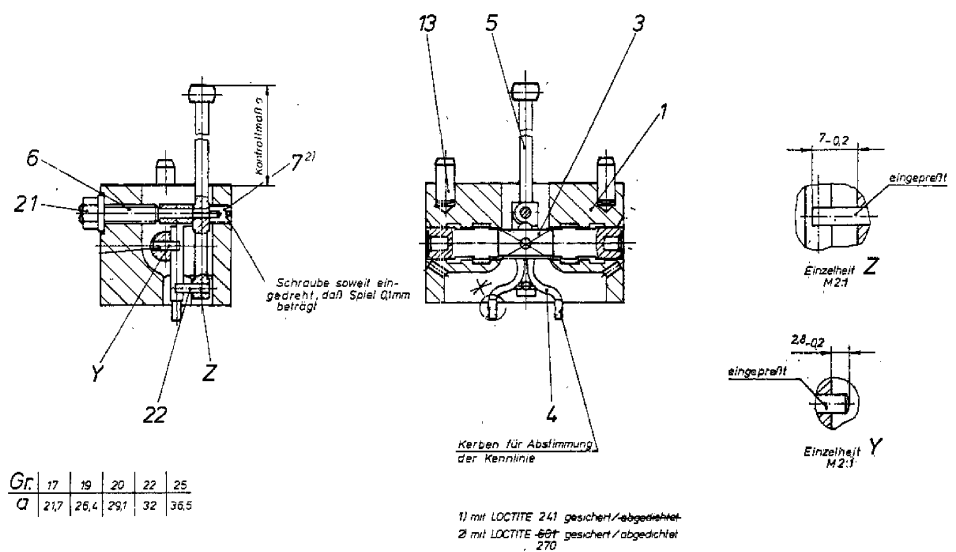
Pos.	Part No.	Designation	Quantity	
1	R909650739	HOUSING	1 ST	
3	R909417412	CONTROL PISTON WITH CYL.PIN	1 ST	
4	R909417155	LEVER	2 ST	
5	R909430320	FEEDBACK LEVER	1 ST	
6	R909449837	ECCENTRIC PIN	1 ST	
7	R902016196	THREADED PIN	1 ST	
13	R909087338	CYLINDER PIN	2 ST	D
21	R909152425	SEAL LOCK NUT	1 ST	D
22	R909151552	NEEDLE ROLLER	1 ST	

### Spare parts list

Part No.: R909404606  
 Designation: HOUSING

Product Unit  
 Axial Piston Units

Drawing no.: R909726384



**Spare parts list**Product Unit  
Axial Piston UnitsPart No.: R909420966  
Designation: PRESSURE OVERRIDE VALVE

Drawing no.: R909731031

Pos.	Part No.	Designation	Quantity	
1	R909408388	HOUSING	1 ST	
2	R909404572	CONNECTING HOUSING	1 ST	D
3	R909404507	COVER	1 ST	
4	R909426938	PRESSURE SPRING	1 ST	D
5	R909420971	SPRING COLLAR	2 ST	
6	R909405777	CONTROL PISTON	1 ST	
7	R909435880	PISTON	1 ST	D
10	R909157096	THREADED PIN	1 ST	
11	R909152425	SEAL LOCK NUT	1 ST	D
12	R909083734	O-RING	1 ST	D
13	R909084939	O-RING	1 ST	D
14	R909083009	SOCKET-HEAD SCREW	4 ST	
16	R909831317	DOUBLE BREAK-OFF PIN	2 ST	



## Spare parts list

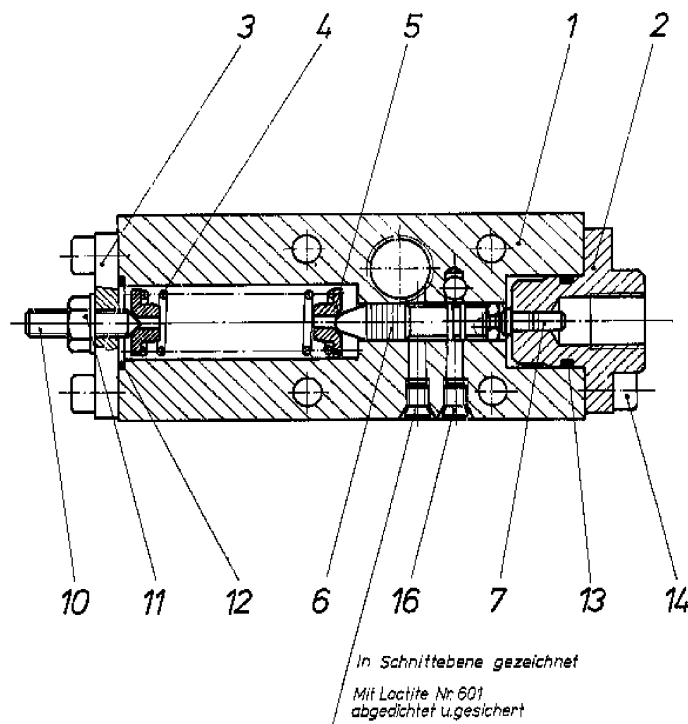
Part No.: R909420966

Designation: PRESSURE OVERRIDE VALVE

Product Unit

Axial Piston Units

Drawing no.: R909731031



L = Assembly group    D = Sealing element

Status of version: 2/2005

Page: 25

Date: 18.05.2005

## Spare parts list

Product Unit

Axial Piston Units

Part No.: R909427895

Designation: CONTROL CARTRIDGE

Pos.	Part No.	Designation	Quantity	
1	R902000530	CONTROL CARTRIDGE W/O ORIFICE	1 ST	L
5	R909447806	ORIFICE	1 ST	L

## Spare parts list

Product Unit

Axial Piston Units

Part No.: R902000530

Designation: CONTROL CARTRIDGE W/O ORIFICE

Drawing no.: R909725878

Pos.	Part No.	Designation	Quantity	
1	R909430422	CONTROL SCREW	1 ST	
2	R909922146	DIFFERENTIAL PISTON	1 ST	
3	R909922147	CONTROLLER PIPE	1 ST	
10	R902034783	PRESSURE PLATE	1 ST	
12	R909436487	PRESSURE SPRING	1 ST	
14	R909436564	THREADED PIN	1 ST	
16	R909921887	RING	1 ST	
27	R909083761	O-RING	1 ST	D
28	R909152707	SEAL LOCK NUT	1 ST	D
29	R909153618	CLAMPING PIN	1 ST	
33	R909083380	RETAINING RING	1 ST	D
34	R909153848	SEEGER-V-RING	1 ST	
35	R909416799	WASHER	1 ST	

Spare parts list

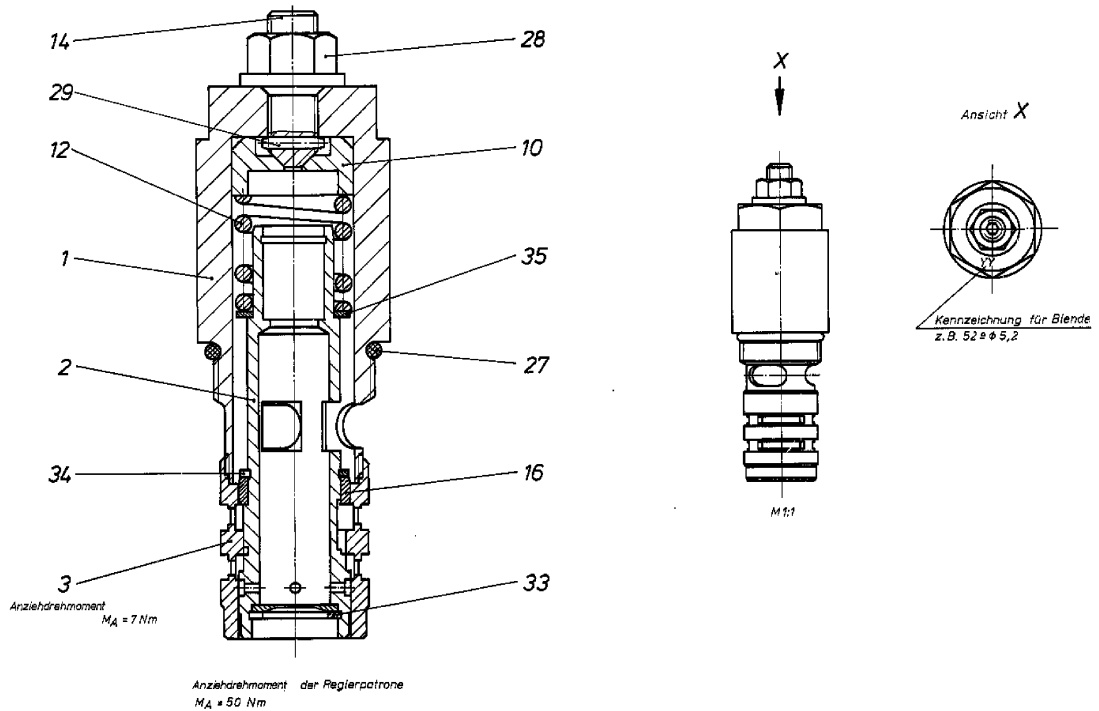
Part No.: R902000530

Designation: CONTROL CARTRIDGE W/O ORIFICE

Product Unit

Axial Piston Units

Drawing no.: R909725878



**Spare parts list**

Product Unit

Axial Piston Units

Part No.: R909447806

Designation: ORIFICE

Pos.	Part No.	Designation	Quantity
12	R902037856	ORIFICE	1 ST
15	R909439645	ORIFICE	1 ST
20	R909436840	ORIFICE	1 ST
23	R909424299	ORIFICE	1 ST
27	R909436300	ORIFICE	1 ST
29	R909413895	ORIFICE	1 ST
31	R909431470	ORIFICE	1 ST
32	R909413042	ORIFICE	1 ST
33	R909418443	ORIFICE	1 ST
34	R909432478	ORIFICE	1 ST
35	R909421451	ORIFICE	1 ST
36	R909431782	ORIFICE	1 ST
37	R909416695	ORIFICE	1 ST
38	R909431595	ORIFICE	1 ST
39	R909432479	ORIFICE	1 ST
40	R909408026	ORIFICE	1 ST
41	R909413816	ORIFICE	1 ST
42	R909415274	ORIFICE	1 ST
43	R909432480	ORIFICE	1 ST
44	R909408027	ORIFICE	1 ST
45	R909421848	ORIFICE	1 ST
46	R909417007	ORIFICE	1 ST
47	R909405619	ORIFICE	1 ST
48	R909412633	ORIFICE	1 ST
49	R909430745	ORIFICE	1 ST
50	R909417025	ORIFICE	1 ST
51	R909413327	ORIFICE	1 ST
52	R909405975	ORIFICE	1 ST
53	R909413934	ORIFICE	1 ST
54	R909418163	ORIFICE	1 ST
55	R909405617	ORIFICE	1 ST
56	R909412748	ORIFICE	1 ST
57	R909411438	ORIFICE	1 ST
58	R902013917	ORIFICE	1 ST
59	R909430828	ORIFICE	1 ST
60	R909410920	ORIFICE	1 ST
61	R909445937	ORIFICE	1 ST

## Spare parts list

Product Unit

Axial Piston Units

Part No.: R909447806

Designation: ORIFICE

62	R909431101	ORIFICE	1 ST
64	R909408665	ORIFICE	1 ST
67	R909421856	ORIFICE	1 ST
69	R909416256	ORIFICE	1 ST
70	R902053002	ORIFICE	1 ST
71	R902056449	ORIFICE	1 ST
74	R909417704	ORIFICE	1 ST
77	R902029162	ORIFICE	1 ST

**Spare parts list**

Product Unit

Axial Piston Units

Part No.: R909408038

Designation: PUMP SUPPORT PLATE

Drawing no.: R909732089

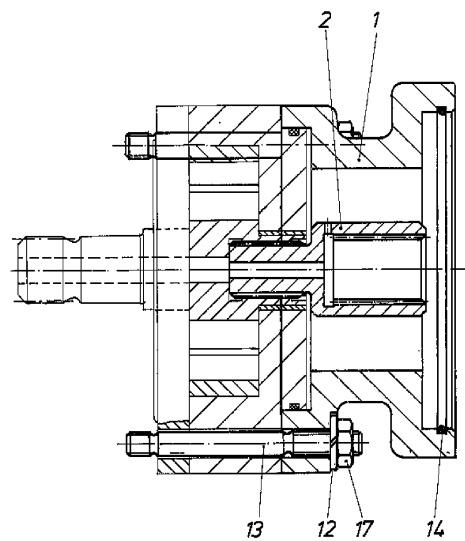
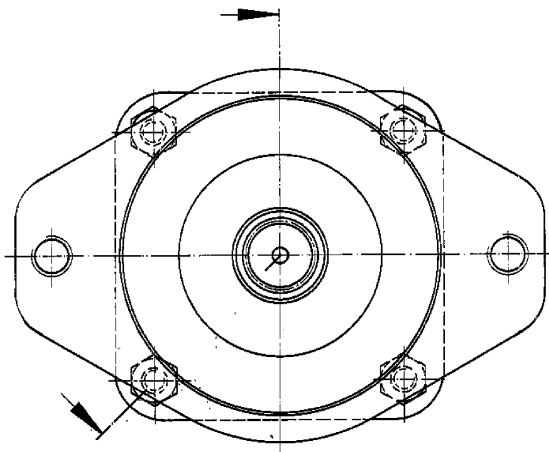
Pos.	Part No.	Designation	Quantity	
1	R909430544	FLANGE	1 ST	
2	R909403695	COUPLING PIECE	1 ST	
12	R909083275	SHIM	4 ST	
13	R909154623	STUD SCREW	4 ST	
14	R909154589	O-RING	4 ST	D
17	R909083612	HEXAGON NUT	4 ST	

## Spare parts list

Part No.: R909408038  
Designation: PUMP SUPPORT PLATE

Product Unit  
Axial Piston Units

Drawing no.: R909732089





## Spare parts list

Product Unit

Axial Piston Units

Part No.: R909400357

Designation: PIPE WITH ACCESORIES

Drawing no.: R909731545

Pos.	Part No.	Designation	Quantity	
2	R909400358	PIPE WITH WELDED RING SUPPORTS	1 ST	
3	R909153218	SEAL RING	2 ST	D
4	R909084037	SEAL RING	2 ST	D
5	R909154383	HOLLOW SCREW	2 ST	

## Spare parts list

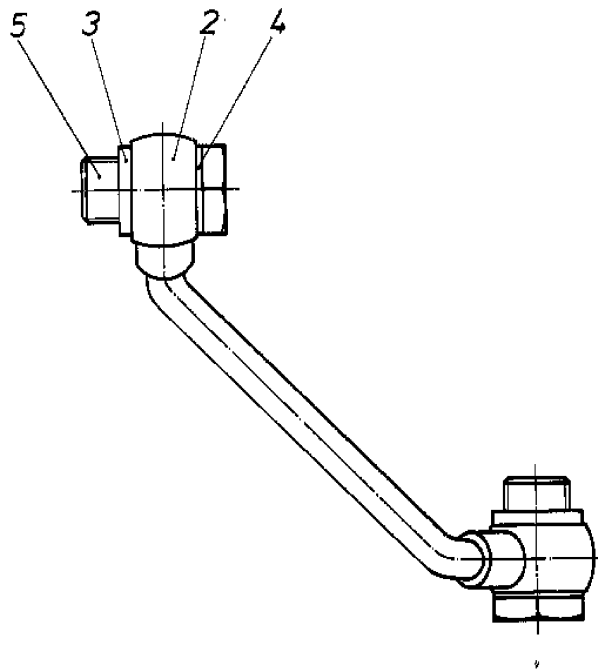
Part No.: R909400357

Designation: PIPE WITH ACCESORIES

Product Unit

Axial Piston Units

Drawing no.: R909731545



## Spare parts list

Product Unit  
Axial Piston Units

Part No.: R909416180  
Designation: HYDRAULIC LINE

Drawing no.: R909731605

Pos.	Part No.	Designation	Quantity
1	R909416179	PIPE	1 ST
3	R909083315	FITTING	1 ST
4	R909152011	FITTING	1 ST

## Spare parts list

Part No.: R909416180  
Designation: HYDRAULIC LINE

Product Unit  
Axial Piston Units

Drawing no.: R909731605

