

Spare parts list

Product Unit
Axial Piston Units

Part No.: R909442713
Designation: A4VG28HW1/30R-PZC10N001E-S *G*

Drawing no.: R909709194

Pos.	Part No.	Designation	Quantity	
1	R909434314	ROTARY GROUP	1 ST	L
2	R909600897	CONTROL, HYDRAULIC	1 ST	L
3	R909428735	PORT PLATE WITH VALVES	1 ST	L
6	R909600949	CONTROL MODULE	1 ST	L
8	R909426341	HOUSING	1 ST	
9	R909426076	HOUSING COVER	1 ST	
10	R909414228	LOCKING SCREW	2 ST	
11	R909449291	JOINT PIN	2 ST	
13	R909154981	THREADED PIN	1 ST	D
14	R909405732	DOWEL PIN	1 ST	
16	R909435277	GASKET	1 ST	D
17	R909083018	SOCKET-HEAD SCREW	11 ST	
18	R909156579	CLAMPING PIN	2 ST	D
19	R909152726	SEAL RING	2 ST	D
20	R909151694	LOCKING SCREW	3 ST	D
21	R909151692	LOCKING SCREW	5 ST	D
24	R909831318	DOUBLE BREAK-OFF PIN	2 ST	D
26	R909153271	SEAL LOCK NUT	1 ST	D
29	R909156493	ORIFICE	2 ST	D
41	R909084302	SEAL RING	2 ST	D

Spare parts list

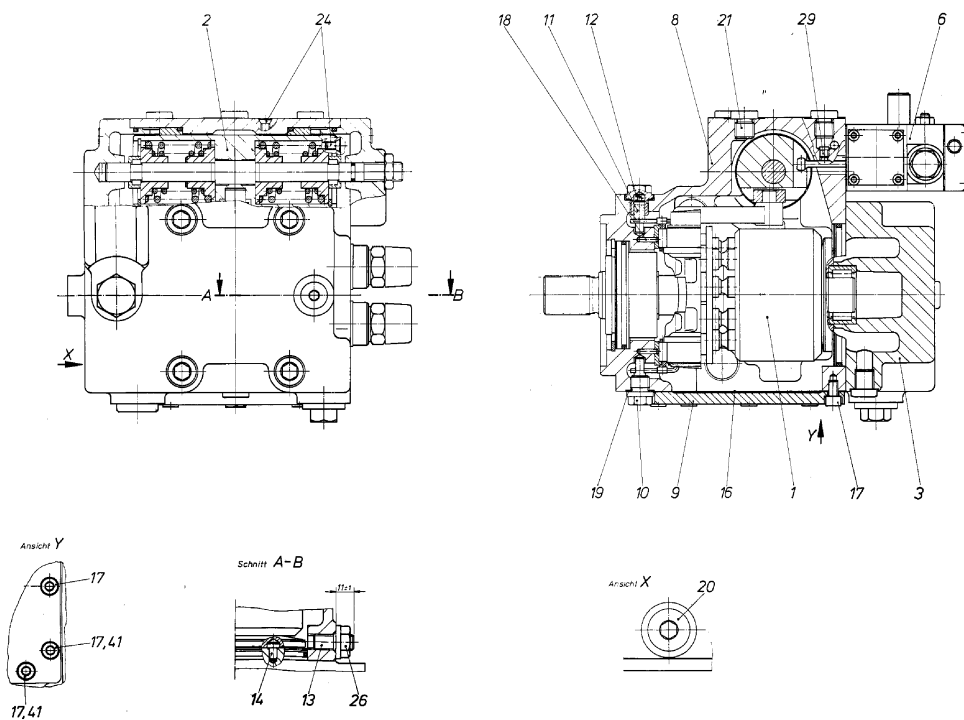
Product Unit
Axial Piston Units

Part No.: R909442713

Designation: A4VG28HW1/30R-PZC10N001E-S

G

Drawing no.: R909709194



Spare parts list

Product Unit
Axial Piston Units

Part No.: R909434314
Designation: ROTARY GROUP

Drawing no.: R909702922

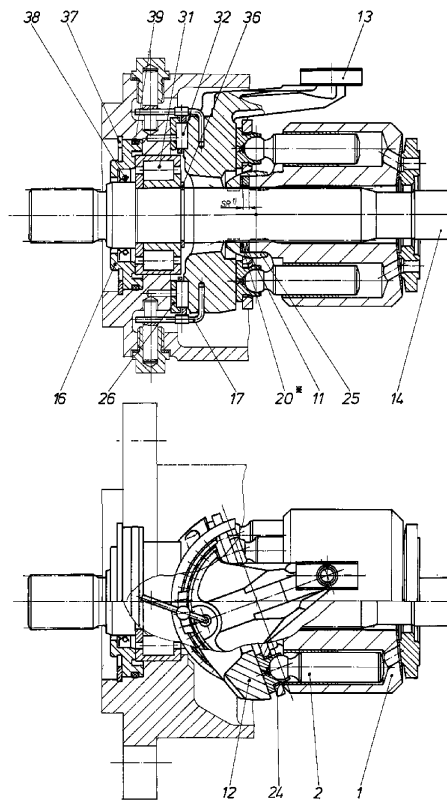
Pos.	Part No.	Designation	Quantity	
1	R902012943	CYLINDER WITH CONTROL PLATE	1 ST	
2	R909431514	PISTON-SLIPPER PAD	9 ST	
11	R909444151	CUP-SPRING STACK	1 ST	
12	R909443586	CRADLE	1 ST	
13	R909449509	SLIDE RING	1 ST	
14	R909431540	DRIVE SHAFT	1 ST	
16	R909419824	COVER	1 ST	D
17	R909413920	WIRE	2 ST	
20	R909435000	SHIM	1 ST	
20	R909432999	SHIM	1 ST	
20	R909435001	SHIM	1 ST	
20	R909435002	SHIM	1 ST	
24	R909443284	RETAINING PLATE	1 ST	
25	R909431343	RETAINING BALL	1 ST	
26	R902066597	BEARING LINER (PAIR)	1 ST	
31	R909156605	PLAIN ROLLER BEARING	1 ST	
32	R909156625	CRADLE BEARING ASSEMBLY (SET)	1 ST	
36	R909083355	RETAINING RING	1 ST	
37	R909083410	RETAINING RING	1 ST	
38	R909153249	SHAFT SEAL RING	1 ST	D
39	R909150068	O-RING	1 ST	D

Spare parts list

Part No.: R909434314
Designation: ROTARY GROUP

Product Unit
Axial Piston Units

Drawing no.: R909702922



Spare parts list

Product Unit
Axial Piston Units

Part No.: R909600897
Designation: CONTROL, HYDRAULIC

Pos.	Part No.	Designation	Quantity	
1	R902002694	POSITIONING PISTON	1 ST	
2	R909440403	ROD	1 ST	
3	R909415207	COVER	1 ST	
4	R909415419	COVER	1 ST	
5	R902013493	RING	1 ST	
5	R902015509	RING	1 ST	
5	R902015508	RING	2 ST	
5	R902015510	RING	1 ST	
5	R902015514	RING	1 ST	
5	R902015513	RING	1 ST	
6	R909400470	SLEEVE	2 ST	
7	R909435567	SPRING COLLAR	4 ST	
8	R909154725	SHIM	1 ST	
8	R909154477	SHIM	1 ST	
8	R909154476	SHIM	1 ST	
9	R909414208	PRESSURE SPRING	2 ST	
10	R909414209	PRESSURE SPRING	2 ST	
11	R909414226	BUSH	2 ST	
15	R909083400	RETAINING RING	2 ST	
16	R909154918	HEXAGON NUT	1 ST	
17	R909083021	SOCKET-HEAD SCREW	8 ST	D
18	R909083249	LOCK WASHER	8 ST	
19	R909085709	O-RING	1 ST	D
20	R909152464	O-RING	4 ST	D

Spare parts list

Product Unit
Axial Piston Units

Part No.: R909428735
Designation: PORT PLATE WITH VALVES

Drawing no.: R909705136

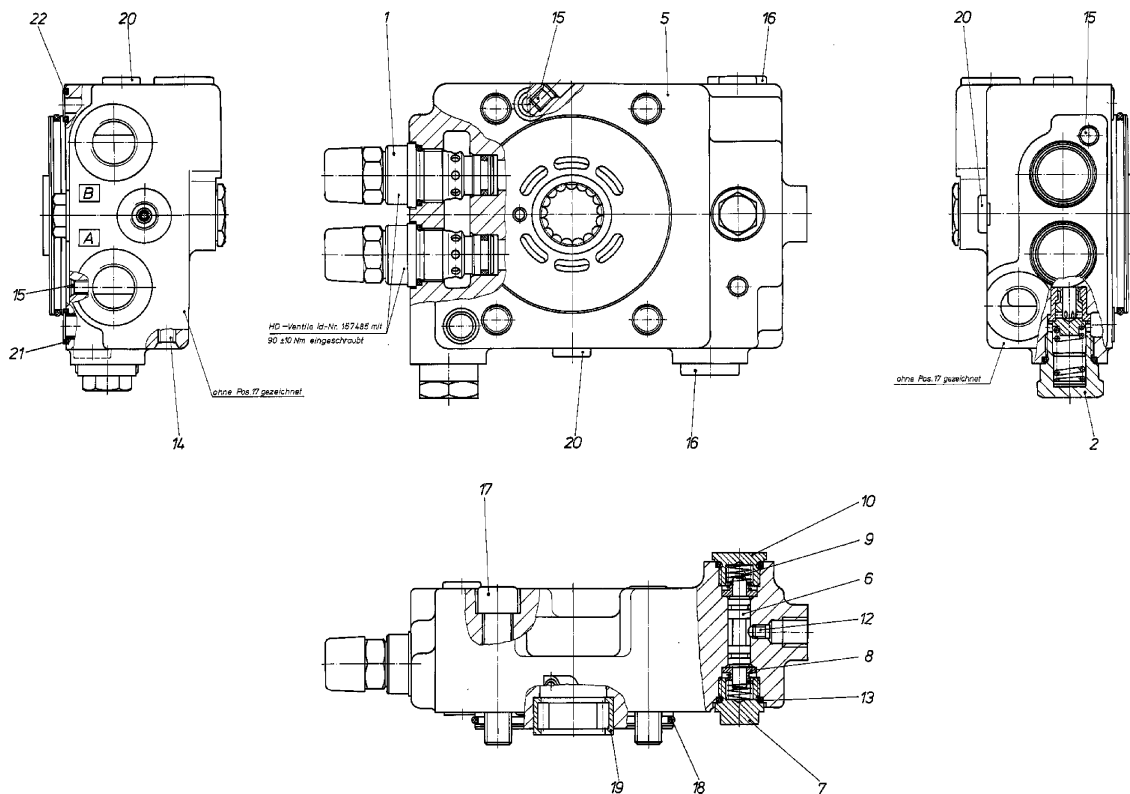
Pos.	Part No.	Designation		Quantity	
1	R902600465	MHDBN16K2-20/420VFH-039	#100NM	2 ST	L
2	R909433667	PRESSURE RELIEF VALVE		1 ST	L
5	R909922068	PORT PLATE		1 ST	
6	R909426349	FLUSHING PISTON		1 ST	
7	R909430960	LOCKING SCREW		1 ST	
8	R909430958	SPRING COLLAR		2 ST	
9	R909430961	PRESSURE SPRING		2 ST	
10	R909430959	LOCKING SCREW		1 ST	
12	R909156493	ORIFICE		1 ST	D
13	R909086435	O-RING		2 ST	D
14	R909831319	DOUBLE BREAK-OFF PIN		1 ST	D
15	R909831318	DOUBLE BREAK-OFF PIN		2 ST	D
16	R909154092	LOCKING SCREW		2 ST	D
17	R909153287	SOCKET-HEAD SCREW		4 ST	
18	R909085360	O-RING		1 ST	D
19	R909153245	PLAIN ROLLER BEARING		1 ST	
20	R909151692	LOCKING SCREW		3 ST	D
21	R909086333	O-RING		1 ST	D
22	R909086332	O-RING		1 ST	D

Spare parts list

Part No.: R909428735
Designation: PORT PLATE WITH VALVES

Product Unit
Axial Piston Units

Drawing no.: R909705136



Spare parts list

Product Unit

Axial Piston Units

Part No.: R902600465

Designation: MHDBN16K2-20/420VFH-039 #100NM

Pos.	Part No.	Designation	Quantity	
1	R902600254	SEAL KIT	1 ST	D
2	R909157895	CAP	1 ST	D

Spare parts list

Product Unit

Axial Piston Units

Part No.: R909433667

Designation: PRESSURE RELIEF VALVE

Drawing no.: R909730852

Pos.	Part No.	Designation	Quantity	
1	R909432818	LOCKING SCREW	1 ST	
2	R909432819	VALVE PISTON	1 ST	
3	R909432820	BUSH	1 ST	
4	R909424461	PRESSURE SPRING	1 ST	
6	R909083758	O-RING	1 ST	D
7	R909157078	SHIM	1 ST	
7	R909157866	SHIM	1 ST	
7	R909153799	SHIM	1 ST	

Spare parts list

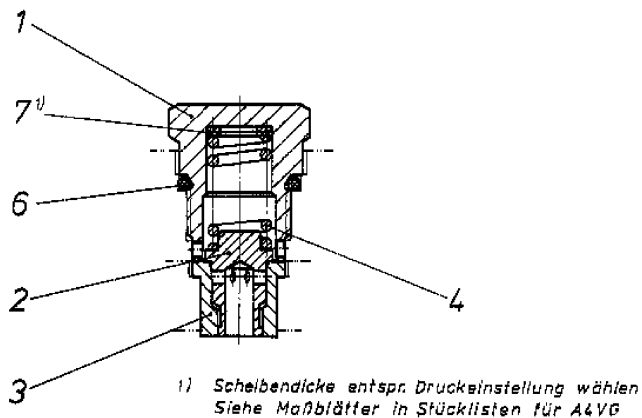
Part No.: R909433667

Designation: PRESSURE RELIEF VALVE

Product Unit

Axial Piston Units

Drawing no.: R909730852



Spare parts list

Product Unit

Axial Piston Units

Part No.: R909600949

Designation: CONTROL MODULE

Drawing no.: R909725965

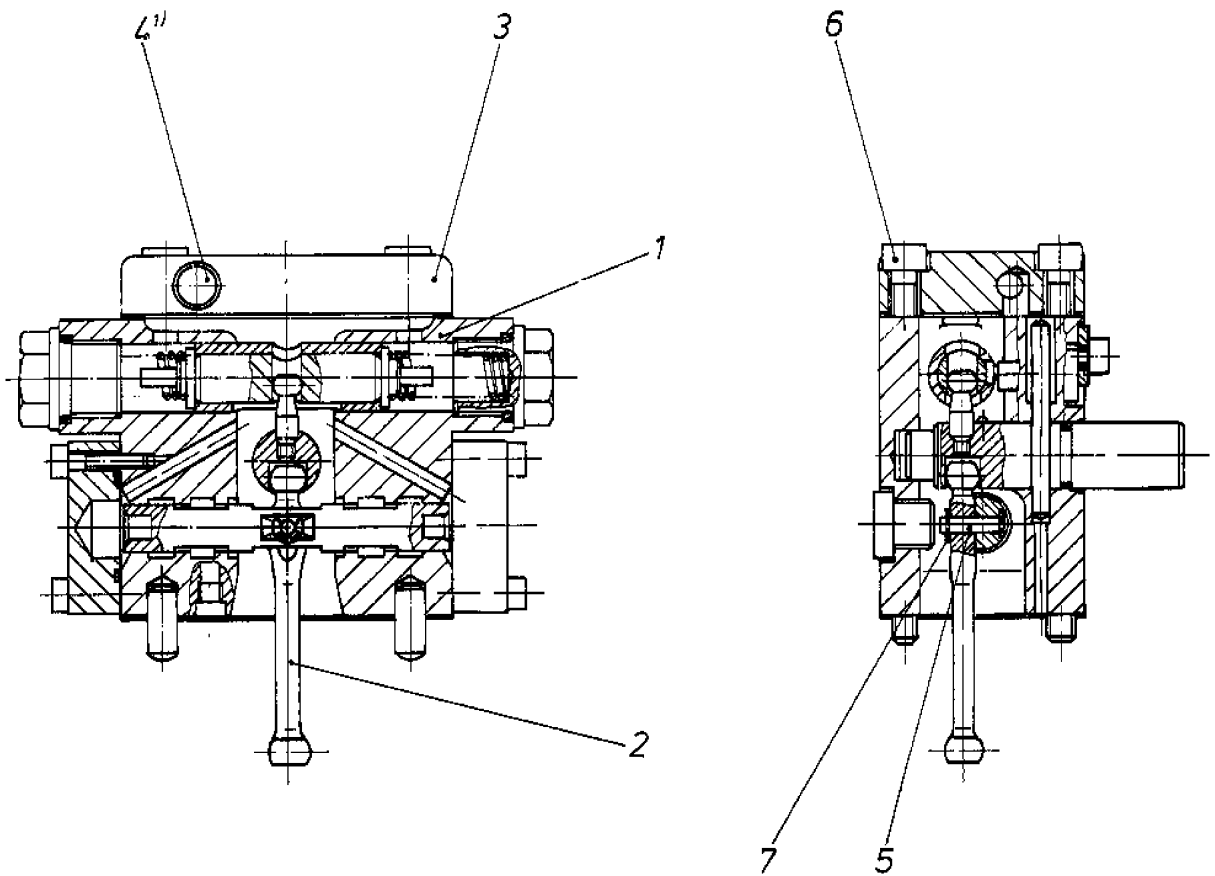
Pos.	Part No.	Designation	Quantity	
1	R909442470	CONTROL MODULE	1 ST	L
2	R909650120	FEEDBACK LEVER	1 ST	
3	R909425592	COVER	1 ST	
4	R909415314	DOUBLE BREAK-OFF PIN	1 ST	
5	R909415995	BOLT	1 ST	
6	R909085701	SOCKET-HEAD SCREW	4 ST	D
7	R909156804	RETAINING DISC	2 ST	

Spare parts list

Part No.: R909600949
Designation: CONTROL MODULE

Product Unit
Axial Piston Units

Drawing no.: R909725965



1) mit LOCTITE 262 gesichert / abgedichtet

Spare parts list

Product Unit
Axial Piston Units

Part No.: R909442470
Designation: CONTROL MODULE

Drawing no.: R909725964

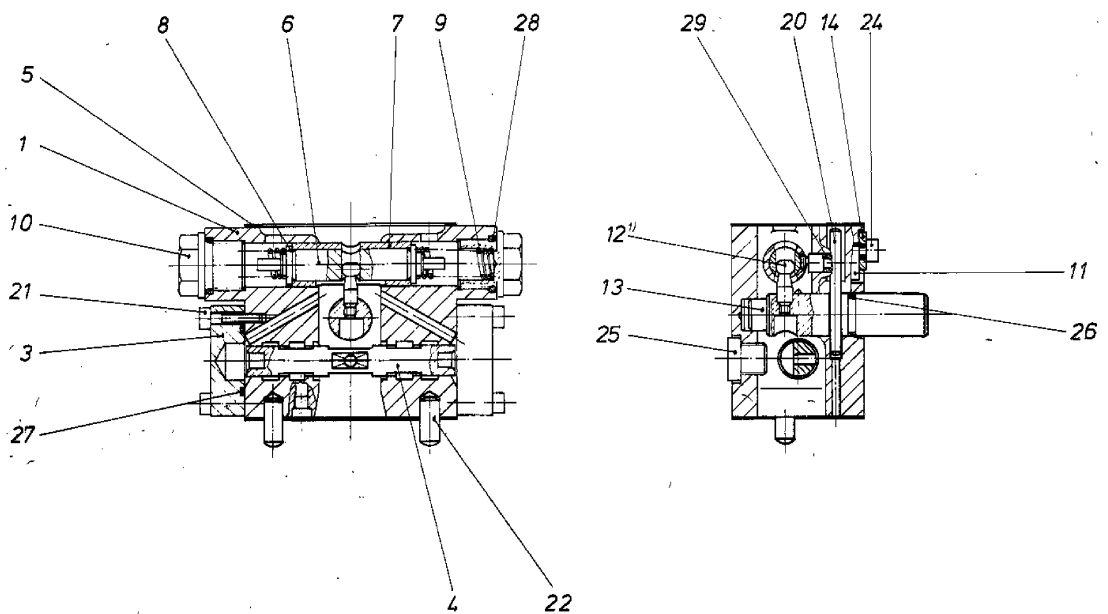
Pos.	Part No.	Designation	Quantity	
1	R909449546	HOUSING	1 ST	
3	R909415993	COVER	2 ST	
4	R909444249	CONTROL PISTON	1 ST	
5	R909440375	GASKET	2 ST	D
6	R909415996	PISTON	1 ST	
7	R909418604	BUSH	1 ST	
8	R909415998	SPRING COLLAR	2 ST	
9	R909415999	PRESSURE SPRING	2 ST	
10	R909416000	LOCKING SCREW	2 ST	
11	R909449547	ECCENTRIC PIN	1 ST	
12	R902056871	POSITIONING TRUNNION	1 ST	
13	R909416003	SHAFT	1 ST	
14	R909449583	WASHER	1 ST	
20	R909087167	CYLINDER PIN	1 ST	
21	R909083004	SOCKET-HEAD SCREW	8 ST	
22	R909087338	CYLINDER PIN	2 ST	D
24	R909083001	SOCKET-HEAD SCREW	1 ST	
25	R909153364	LOCKING SCREW	1 ST	D
26	R909086332	O-RING	1 ST	D
27	R909083737	O-RING	2 ST	D
28	R909083752	O-RING	2 ST	D
29	R902600639	O-RING	1 ST	D

Spare parts list

Part No.: R909442470
Designation: CONTROL MODULE

Product Unit
Axial Piston Units

Drawing no.: R909725964



1) Anziehdrehmoment 3 Nm