

Spare parts list

Product Unit
Axial Piston Units

Part No.: R909446421
Designation: A4VG56DA1D2/31R-PZC02F023S *G*

Drawing no.: R909738637

Pos.	Part No.	Designation	Quantity	
1	R909429498	ROTARY GROUP	1 ST	L
2	R909442400	CONTROL, HYDRAULIC	1 ST	L
3	R909441498	PORT PLATE WITH VALVES	1 ST	L
4	R909447310	INTERNAL GEAR PUMP ASSEMBLY	1 ST	L
5	R909434592	4/3-WAY DIRECTIONAL VALVE	1 ST	L
7	R909414722	CONTROL CARTRIDGE	1 ST	L
10	R909443107	HOUSING	1 ST	
11	R909430641	DOWEL PIN	1 ST	
20	R909151694	LOCKING SCREW	1 ST	D
21	R909151979	LOCKING SCREW	2 ST	D
22	R909151692	LOCKING SCREW	3 ST	D
23	R909153815	LOCKING SCREW	4 ST	D
27	R909831318	DOUBLE BREAK-OFF PIN	2 ST	D
28	R909156496	ORIFICE	2 ST	
46	R909435856	ECCENTRIC SCREW	1 ST	D
47	R909153271	SEAL LOCK NUT	1 ST	D
49	R909156497	ORIFICE	1 ST	
54	R909156492	ORIFICE	1 ST	D

Safety Notes:

Service – and repair works have to be carried out by the Bosch Rexroth AG or their repair stations only. We do not grant any warranty for defects due to assembly, maintenance or repair not effected by the Bosch Rexroth AG or their repair stations.

Spare parts list

Product Unit
Axial Piston Units

Part No.: R909429498
Designation: ROTARY GROUP

Drawing no.: R909702952

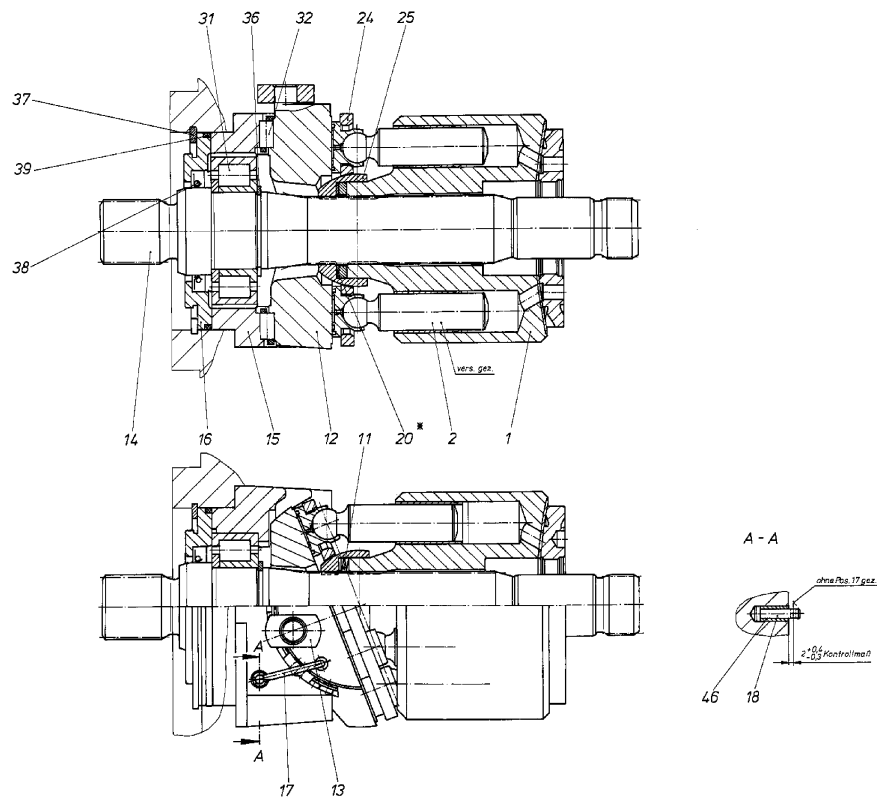
Pos.	Part No.	Designation	Quantity	
1	R909444711	CYLINDER WITH CONTROL PLATE	1 ST	
2	R909414949	PISTON-SLIPPER PAD	9 ST	
11	R909445401	CUP-SPRING STACK	1 ST	
12	R909449659	CRADLE	1 ST	
13	R909413432	SLIDE RING	1 ST	
14	R909440938	DRIVE SHAFT	1 ST	
15	R909426696	BEARING FLANGE	1 ST	
16	R909445128	COVER	1 ST	D
17	R909408786	WIRE	2 ST	
18	R909076231	JOINT PIN	2 ST	
20	R909432991	SHIM	1 ST	
20	R909432992	SHIM	1 ST	
20	R909432993	SHIM	1 ST	
20	R909432994	SHIM	1 ST	
24	R909445274	RETAINING PLATE	1 ST	
25	R909445275	RETAINING BALL	1 ST	
31	R909156259	PLAIN ROLLER BEARING	1 ST	
32	R909157685	CRADLE BEARING ASSEMBLY (SET)	1 ST	
36	R909083360	RETAINING RING	1 ST	
37	R909083416	RETAINING RING	1 ST	
38	R909830382	SHAFT SEAL RING	1 ST	D
39	R909083822	O-RING	1 ST	D
46	R909153928	CLAMPING PIN	2 ST	

Spare parts list

Part No.: R909429498
Designation: ROTARY GROUP

Product Unit
Axial Piston Units

Drawing no.: R909702952



Spare parts list

Product Unit
Axial Piston Units

Part No.: R909442400
Designation: CONTROL, HYDRAULIC

Drawing no.: R909729991

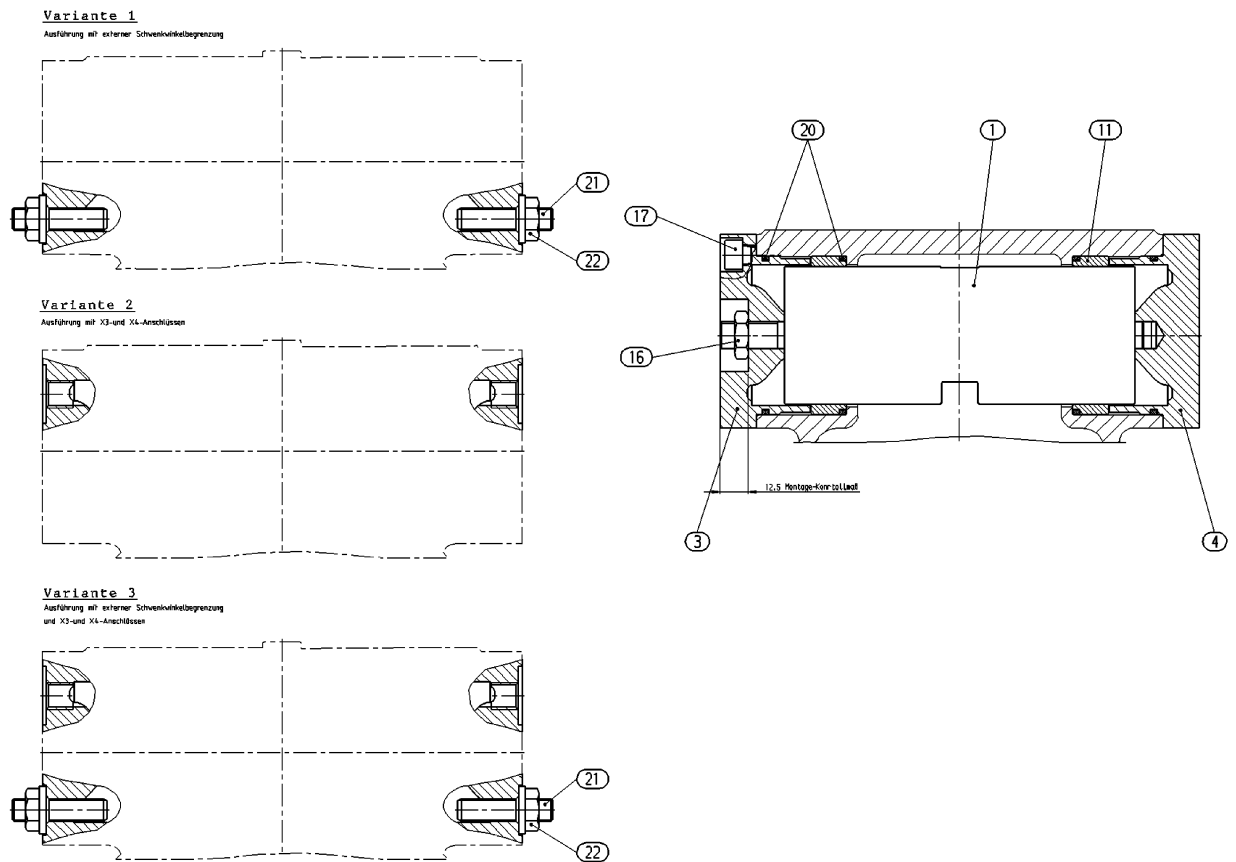
Pos.	Part No.	Designation	Quantity	
1	R909652056	POSITIONING PISTON	1 ST	
2	R909449238	ROD	1 ST	
3	R909436280	COVER	1 ST	
4	R909436281	COVER	1 ST	
5	R902013493	RING	1 ST	
5	R902015509	RING	1 ST	
5	R902015508	RING	2 ST	
5	R902015510	RING	1 ST	
5	R902015511	RING	1 ST	
5	R902015512	RING	1 ST	
5	R902015514	RING	1 ST	
5	R902015513	RING	1 ST	
6	R909400470	SLEEVE	2 ST	
7	R909449245	SPRING COLLAR	2 ST	
8	R909435635	SPACER RING	2 ST	
8	R909435636	SPACER RING	1 ST	
8	R909445782	SPACER RING	1 ST	
8	R909445783	SPACER RING	1 ST	
8	R909445784	SPACER RING	1 ST	
8	R909445785	SPACER RING	1 ST	
9	R909436244	PRESSURE SPRING	2 ST	
10	R909436245	PRESSURE SPRING	2 ST	
11	R909431867	BUSH	2 ST	
12	R909449246	SPRING COLLAR	2 ST	
15	R909083404	RETAINING RING	2 ST	
16	R909154918	HEXAGON NUT	1 ST	
17	R909083034	SOCKET-HEAD SCREW	8 ST	D
18	R909083250	LOCK WASHER	8 ST	
19	R909085709	O-RING	1 ST	D
20	R909083785	O-RING	4 ST	D

Spare parts list

Product Unit
Axial Piston Units

Part No.: R909442400
Designation: CONTROL, HYDRAULIC

Drawing no.: R909729991



Spare parts list

Product Unit
Axial Piston Units

Part No.: R909441498
Designation: PORT PLATE WITH VALVES

Drawing no.: R909705165

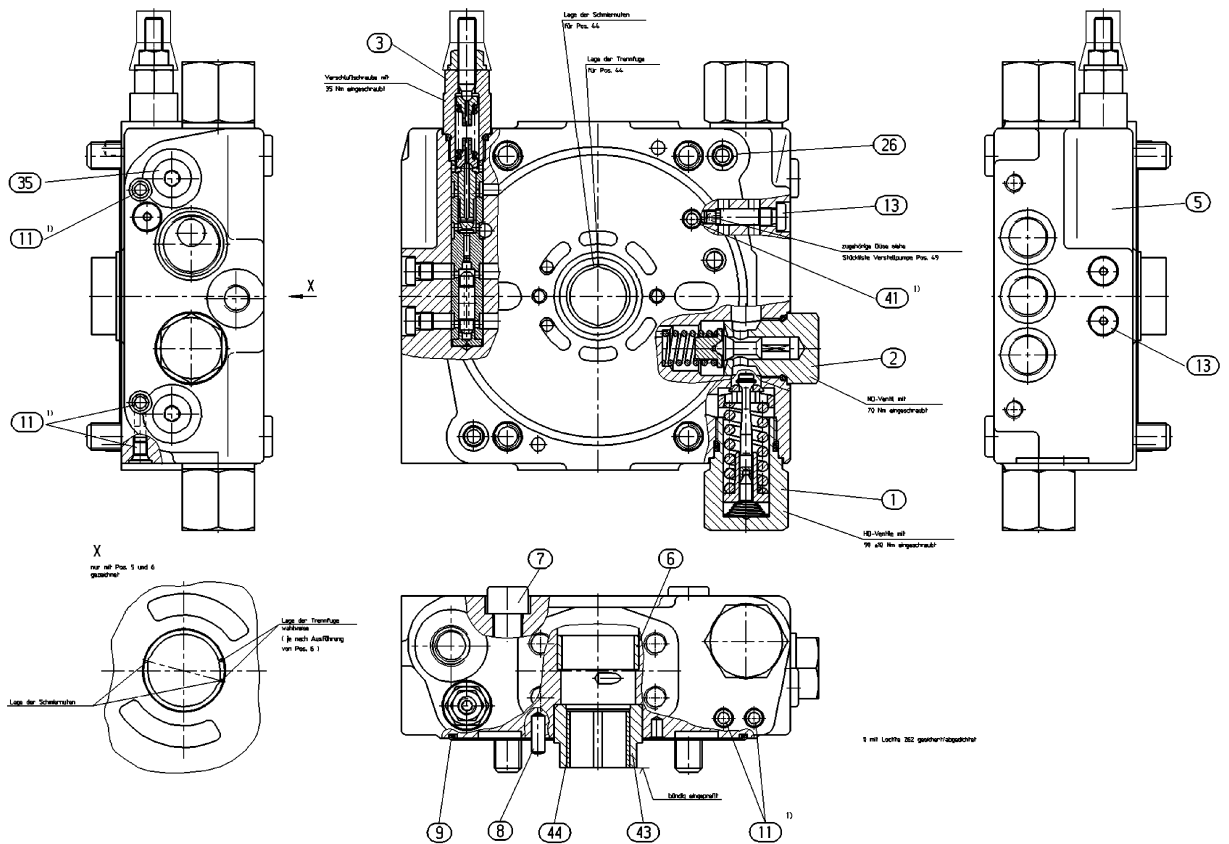
Pos.	Part No.	Designation	Quantity	
1	R902016386	PRESSURE RELIEF VALVE	2 ST	L
2	R902037600	PRESSURE RELIEF VALVE	1 ST	L
3	R909433110	PRESSURE OVERRIDE VALVE	1 ST	L
5	R909445357	PORT PLATE	1 ST	
6	R909449135	BEARING BUSHING	1 ST	
7	R909153288	SOCKET-HEAD SCREW	4 ST	
8	R909084173	CYLINDER PIN	2 ST	
9	R909830424	O-RING	1 ST	D
11	R909831318	DOUBLE BREAK-OFF PIN	3 ST	D
13	R909154024	LOCKING SCREW	3 ST	D
26	R909085709	O-RING	2 ST	D
35	R909151692	LOCKING SCREW	2 ST	D
41	R909415314	DOUBLE BREAK-OFF PIN	1 ST	
43	R909439249	BUSH	1 ST	
44	R909426789	BEARING BUSHING	1 ST	

Spare parts list

Product Unit
Axial Piston Units

Part No.: R909441498
Designation: PORT PLATE WITH VALVES

Drawing no.: R909705165



Spare parts list

Product Unit

Axial Piston Units

Part No.: R902016386

Designation: PRESSURE RELIEF VALVE

Drawing no.: R902016385

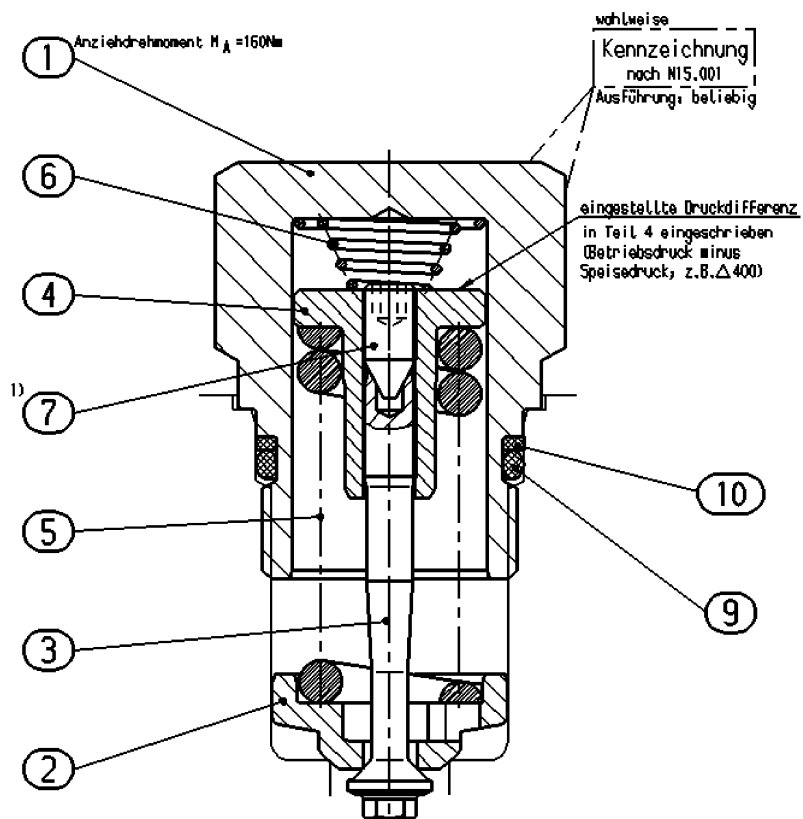
Pos.	Part No.	Designation	Quantity	
1	R909439989	LOCKING SCREW	1 ST	
2	R902010478	VALVE COLLAR	1 ST	
3	R902010477	VALVE SPINDLE	1 ST	
4	R902016288	SPRING LOADING NUT	1 ST	
5	R909921948	PRESSURE SPRING	1 ST	
6	R909425925	SPRING, CONE-SHAPED	1 ST	
7	R902016289	THREADED PIN	1 ST	D
9	R909083761	O-RING	1 ST	D
10	R909831768	BACK-UP RING	1 ST	D

Spare parts list

Part No.: R902016386
Designation: PRESSURE RELIEF VALVE

Product Unit
Axial Piston Units

Drawing no.: R902016385



1) Sicherung mit Anziehdrehmoment $6,5 \text{ Nm}$ nach der Ventileinstellung entsprechend Maßblatt Stückliste Pos. 1012

Spare parts list

Product Unit

Axial Piston Units

Part No.: R902037600

Designation: PRESSURE RELIEF VALVE

Drawing no.: R902037594

Pos.	Part No.	Designation	Quantity	
1	R902037383	LOCKING SCREW	1 ST	
2	R909435899	VALVE PISTON	1 ST	
3	R902010336	SPRING COLLAR	1 ST	
4	R909435901	PRESSURE SPRING	1 ST	
5	R902601678	STEEL SEALING RING	1 ST	D
6	R909152694	O-RING	1 ST	D
7	R909150370	SHIM	1 ST	
7	R909153402	SHIM	1 ST	
7	R909150369	SHIM	1 ST	

Spare parts list

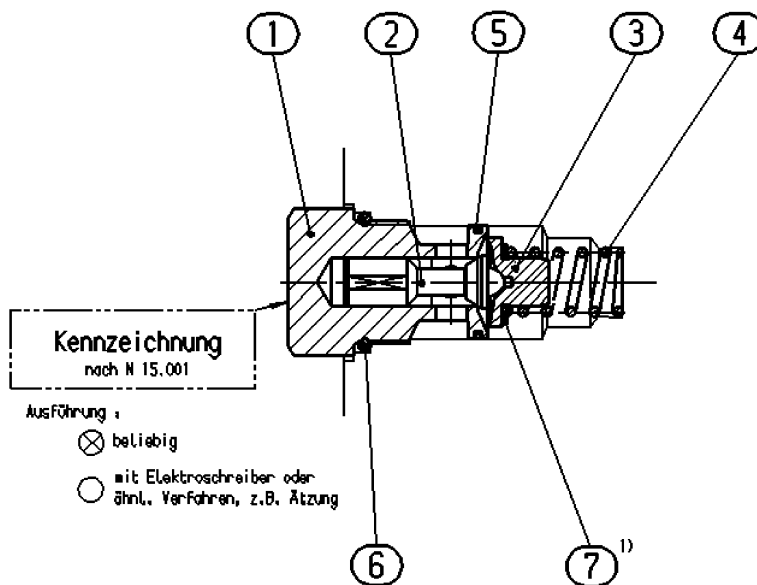
Part No.: R902037600

Designation: PRESSURE RELIEF VALVE

Product Unit

Axial Piston Units

Drawing no.: R902037594



Spare parts list

Product Unit

Axial Piston Units

Part No.: R909433110

Designation: PRESSURE OVERRIDE VALVE

Drawing no.: R909731049

Pos.	Part No.	Designation	Quantity	
1	R909449886	LOCKING SCREW	1 ST	
2	R909431452	VALVE BUSHING	1 ST	
3	R909432162	CONTROL PISTON	1 ST	
4	R909432163	PISTON	1 ST	
5	R909432164	VALVE PISTON	1 ST	
6	R909425955	POPPET SEAT	1 ST	
7	R902009402	PRESSURE SPRING	1 ST	
8	R902043092	SPRING COLLAR	2 ST	
9	R909432167	ADJUSTING SCREW	1 ST	
10	R909083752	O-RING	1 ST	D
14	R909152707	SEAL LOCK NUT	1 ST	D

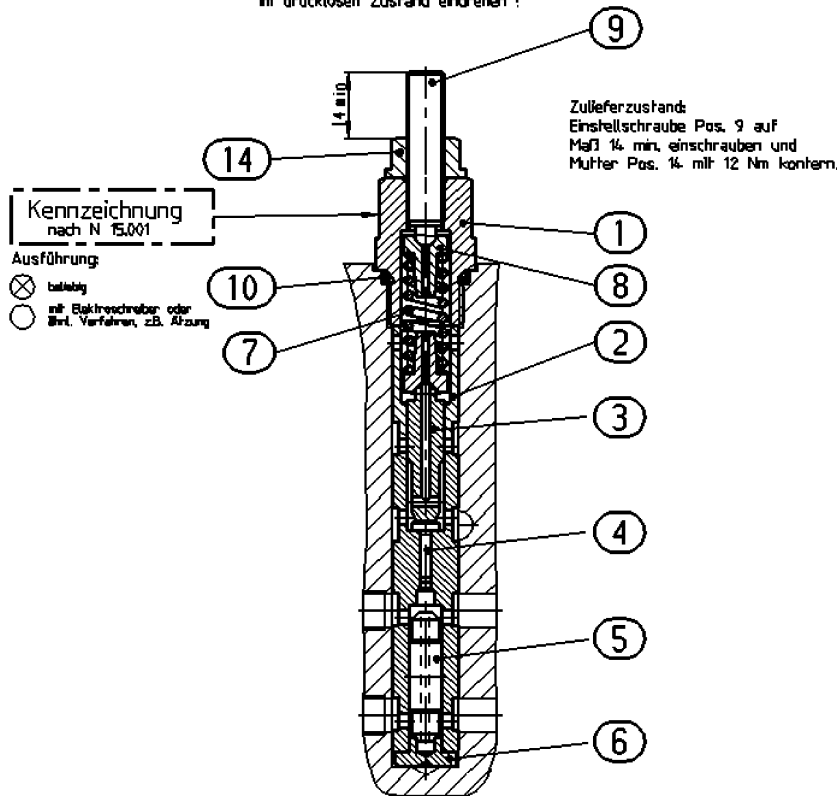
Spare parts list

Part No.: R909433110
Designation: PRESSURE OVERRIDE VALVE

Product Unit
Axial Piston Units

Drawing no.: R909731049

Zum Blockieren der Druckabschneidung beim Überprüfen der Hochdruckventile die Einstellschraube Pos. 9 mit gelöster Kontermutter Pos. 14 bis zum Anschlag mit max. 2Nm in drucklosen Zustand eindrehen !



Spare parts list

Product Unit

Axial Piston Units

Part No.: R909447310

Designation: INTERNAL GEAR PUMP ASSEMBLY

Drawing no.: R909723574

Pos.	Part No.	Designation	Quantity	
1	R909445736	INTERMEDIATE FLANGE	1 ST	
3	R909449135	BEARING BUSHING	1 ST	
4	R909444103	SPACER	1 ST	
5	R902013255	THROUGH-DRIVE SHAFT	1 ST	
7	R902006256	WHEEL SET	1 ST	
8	R902025649	SHAFT KEY	1 ST	
9	R909152046	SNAP RING	1 ST	
10	R909087242	SOCKET-HEAD SCREW	4 ST	
12	R909830379	KANTSEAL-RG.	1 ST	D
19	R909154589	O-RING	1 ST	D
20	R909083790	O-RING	1 ST	D

Spare parts list

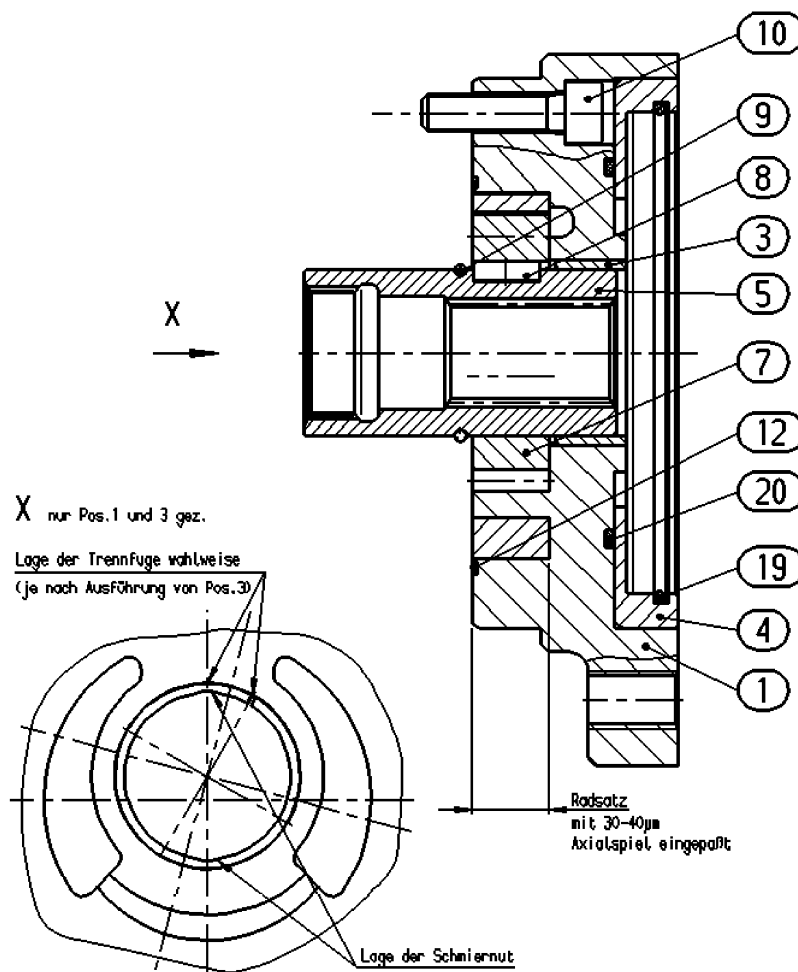
Part No.: R909447310

Designation: INTERNAL GEAR PUMP ASSEMBLY

Product Unit

Axial Piston Units

Drawing no.: R909723574



Spare parts list

Product Unit
Axial Piston Units

Part No.: R909434592
Designation: 4/3-WAY DIRECTIONAL VALVE

Drawing no.: R909730761

Pos.	Part No.	Designation	Quantity	
2	R909434591	4/3-WAY DIRECTIONAL VALVE	1 ST	L
11	R902066611	GASKET	1 ST	D
43	R909083027	SOCKET-HEAD SCREW	5 ST	
45	R909157512	O-RING	1 ST	D

Spare parts list

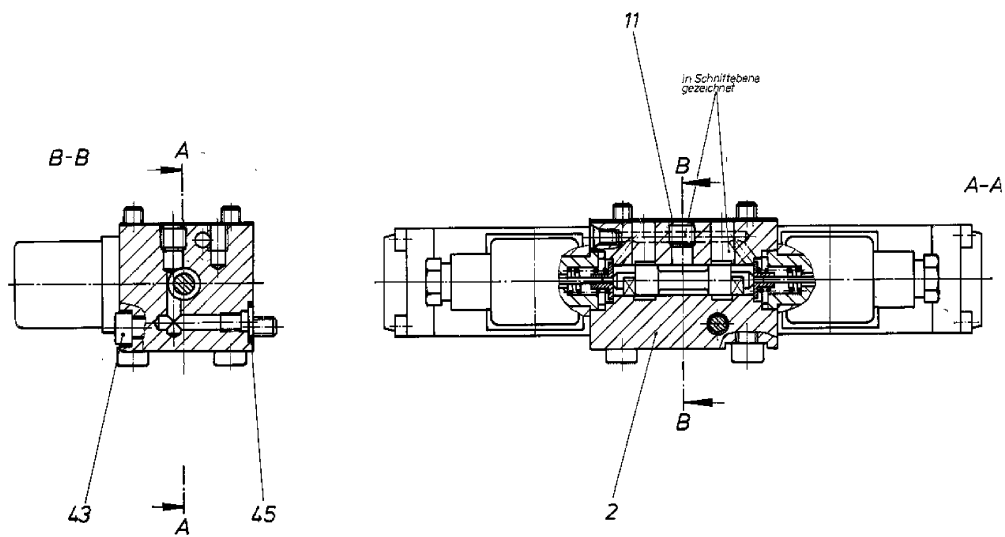
Part No.: R909434592

Designation: 4/3-WAY DIRECTIONAL VALVE

Product Unit

Axial Piston Units

Drawing no.: R909730761



Spare parts list

Product Unit

Axial Piston Units

Part No.: R909434591

Designation: 4/3-WAY DIRECTIONAL VALVE

Drawing no.: R909730760

Pos.	Part No.	Designation	Quantity	
1	R909651417	VALVE HOUSING	1 ST	
2	R909435639	CONTROL PISTON	1 ST	
3	R909069544	SPRING COLLAR	2 ST	
4	R909071362	PRESSURE SPRING	2 ST	D
5	R909419974	DOUBLE BREAK-OFF PIN	1 ST	
10	R909083734	O-RING	2 ST	D
11	R902602622	PLUG SOCKET	1 ST	
12	R909428265	CONTROL SOLENOID WITH SCREWS	2 ST	L
13	R902602623	PLUG SOCKET	1 ST	
14	R909083493	THREADED PIN	1 ST	

Spare parts list

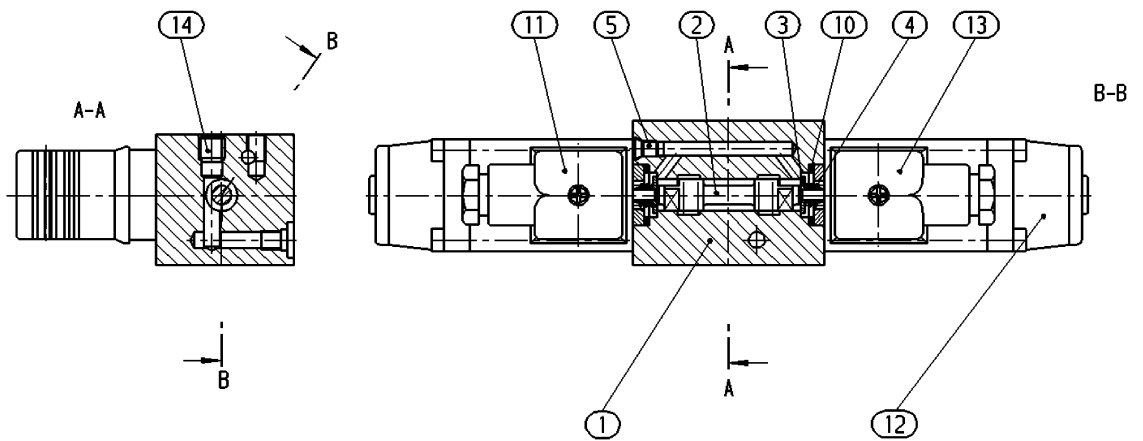
Part No.: R909434591

Designation: 4/3-WAY DIRECTIONAL VALVE

Product Unit

Axial Piston Units

Drawing no.: R909730760



Spare parts list

Product Unit
Axial Piston Units

Part No.: R909428265
Designation: CONTROL SOLENOID WITH SCREWS

Drawing no.: R909732691

Pos.	Part No.	Designation	Quantity
1	R909157739	SOLENOID	1 ST
2	R909157715	SOCKET-HEAD SCREW	4 ST

Spare parts list

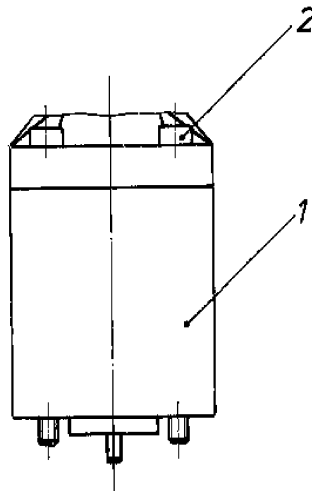
Part No.: R909428265

Designation: CONTROL SOLENOID WITH SCREWS

Product Unit

Axial Piston Units

Drawing no.: R909732691



Spare parts list

Product Unit

Axial Piston Units

Part No.: R909414722

Designation: CONTROL CARTRIDGE

Pos.	Part No.	Designation	Quantity	
1	R902000532	CONTROL CARTRIDGE W/O ORIFICE	1 ST	L
5	R909446273	ORIFICE	1 ST	L

Spare parts listProduct Unit
Axial Piston Units

Part No.: R902000532

Designation: CONTROL CARTRIDGE W/O ORIFICE

Drawing no.: R909725902

Pos.	Part No.	Designation	Quantity	
1	R909414721	CONTROL SCREW	1 ST	
2	R902037075	DIFFERENTIAL PISTON	1 ST	
3	R909922149	CONTROLLER PIPE	1 ST	
8	R909421327	WASHER	1 ST	
10	R909414047	SPRING COLLAR	2 ST	
12	R909408682	PRESSURE SPRING	1 ST	
14	R902037910	THREADED PIN	1 ST	
16	R909650154	RING	1 ST	
26	R909156476	CIRCLIP	1 ST	
27	R909086731	O-RING	1 ST	D
28	R909152707	SEAL LOCK NUT	1 ST	D
33	R909156498	SEEGER-V-RING	1 ST	
34	R909153847	SEEGER-V-RING	1 ST	
41	R909157287	HEXAGON NUT	1 ST	

Spare parts list

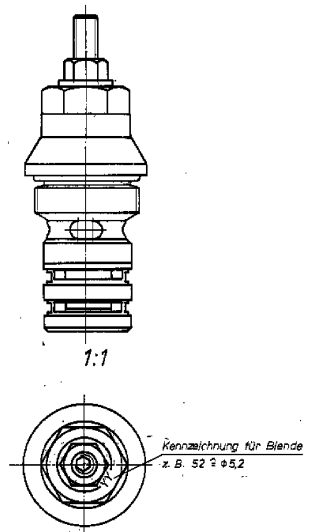
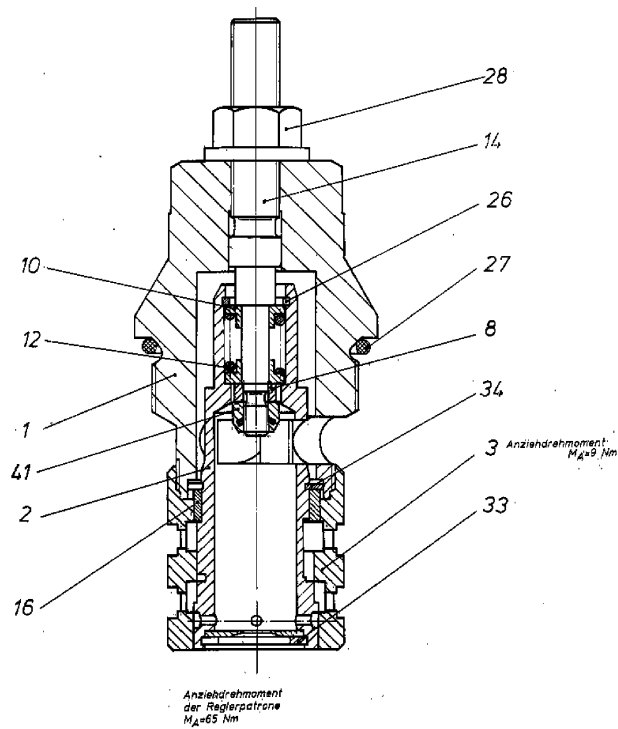
Part No.: R902000532

Designation: CONTROL CARTRIDGE W/O ORIFICE

Product Unit

Axial Piston Units

Drawing no.: R909725902



Spare parts list

Product Unit

Axial Piston Units

Part No.: R909446273

Designation: ORIFICE

Pos.	Part No.	Designation	Quantity
25	R902005292	ORIFICE	1 ST
26	R902005293	ORIFICE	1 ST
27	R902005294	ORIFICE	1 ST
28	R902005295	ORIFICE	1 ST
29	R902005296	ORIFICE	1 ST
30	R909412539	ORIFICE	1 ST
31	R909651699	ORIFICE	1 ST
32	R909651700	ORIFICE	1 ST
33	R909651701	ORIFICE	1 ST
34	R909651702	ORIFICE	1 ST
35	R909412538	ORIFICE	1 ST
36	R909439551	ORIFICE	1 ST
37	R909439552	ORIFICE	1 ST
38	R909439553	ORIFICE	1 ST
39	R909439554	ORIFICE	1 ST
40	R909411968	ORIFICE	1 ST
41	R909439555	ORIFICE	1 ST
42	R909426976	ORIFICE	1 ST
43	R909431432	ORIFICE	1 ST
44	R909431431	ORIFICE	1 ST
45	R909405865	ORIFICE	1 ST
46	R909435954	ORIFICE	1 ST
47	R909430801	ORIFICE	1 ST
48	R902004601	ORIFICE	1 ST
49	R909405866	ORIFICE	1 ST
50	R909439556	ORIFICE	1 ST
51	R909404716	ORIFICE	1 ST
52	R909439557	ORIFICE	1 ST
53	R909405867	ORIFICE	1 ST
54	R909439540	ORIFICE	1 ST
55	R909411743	ORIFICE	1 ST
56	R909444087	ORIFICE	1 ST
57	R909439558	ORIFICE	1 ST
58	R909418192	ORIFICE	1 ST
59	R909436697	ORIFICE	1 ST
60	R909408028	ORIFICE	1 ST
61	R909439559	ORIFICE	1 ST

Spare parts list

Product Unit

Axial Piston Units

Part No.: R909446273

Designation: ORIFICE

62	R909414475	ORIFICE	1 ST
63	R909435948	ORIFICE	1 ST
64	R909418666	ORIFICE	1 ST
65	R909413532	ORIFICE	1 ST
66	R909405989	ORIFICE	1 ST
67	R909404717	ORIFICE	1 ST
68	R909431899	ORIFICE	1 ST
69	R909432434	ORIFICE	1 ST
70	R909400544	ORIFICE	1 ST
71	R909401641	ORIFICE	1 ST
72	R909414233	ORIFICE	1 ST
73	R909420360	ORIFICE	1 ST
74	R909439560	ORIFICE	1 ST
75	R909412980	ORIFICE	1 ST
76	R909439561	ORIFICE	1 ST
77	R909410444	ORIFICE	1 ST
78	R909418448	ORIFICE	1 ST
79	R909408029	ORIFICE	1 ST
80	R909426448	ORIFICE	1 ST
81	R909439562	ORIFICE	1 ST
82	R909401638	ORIFICE	1 ST
83	R909408013	ORIFICE	1 ST
84	R909408030	ORIFICE	1 ST
85	R909410445	ORIFICE	1 ST
86	R909439563	ORIFICE	1 ST
87	R909417842	ORIFICE	1 ST
88	R909439564	ORIFICE	1 ST
89	R909439565	ORIFICE	1 ST
90	R909410446	ORIFICE	1 ST
95	R909420285	ORIFICE	1 ST