

## Spare parts list

Product Unit  
Axial Piston Units

Part No.: R910934611

Designation: A A4VSO 180 DR /22R-PPB13N00

Drawing no.: R910934612

Pos.	Part No.	Designation	Quantity	
1	R910934217	G A4VSO 180 OV /22R-PPB13N00	1 ST	L
2	R910934545	R A4VS 180 DR /20	1 ST	L

**Safety Notes:**

**Service – and repair works have to be carried out by the Bosch Rexroth AG or their repair stations only. We do not grant any warranty for defects due to assembly, maintenance or repair not effected by the Bosch Rexroth AG or their repair stations.**

L = Assembly group    D = Sealing element

Page: 1

Date: 19.06.2007

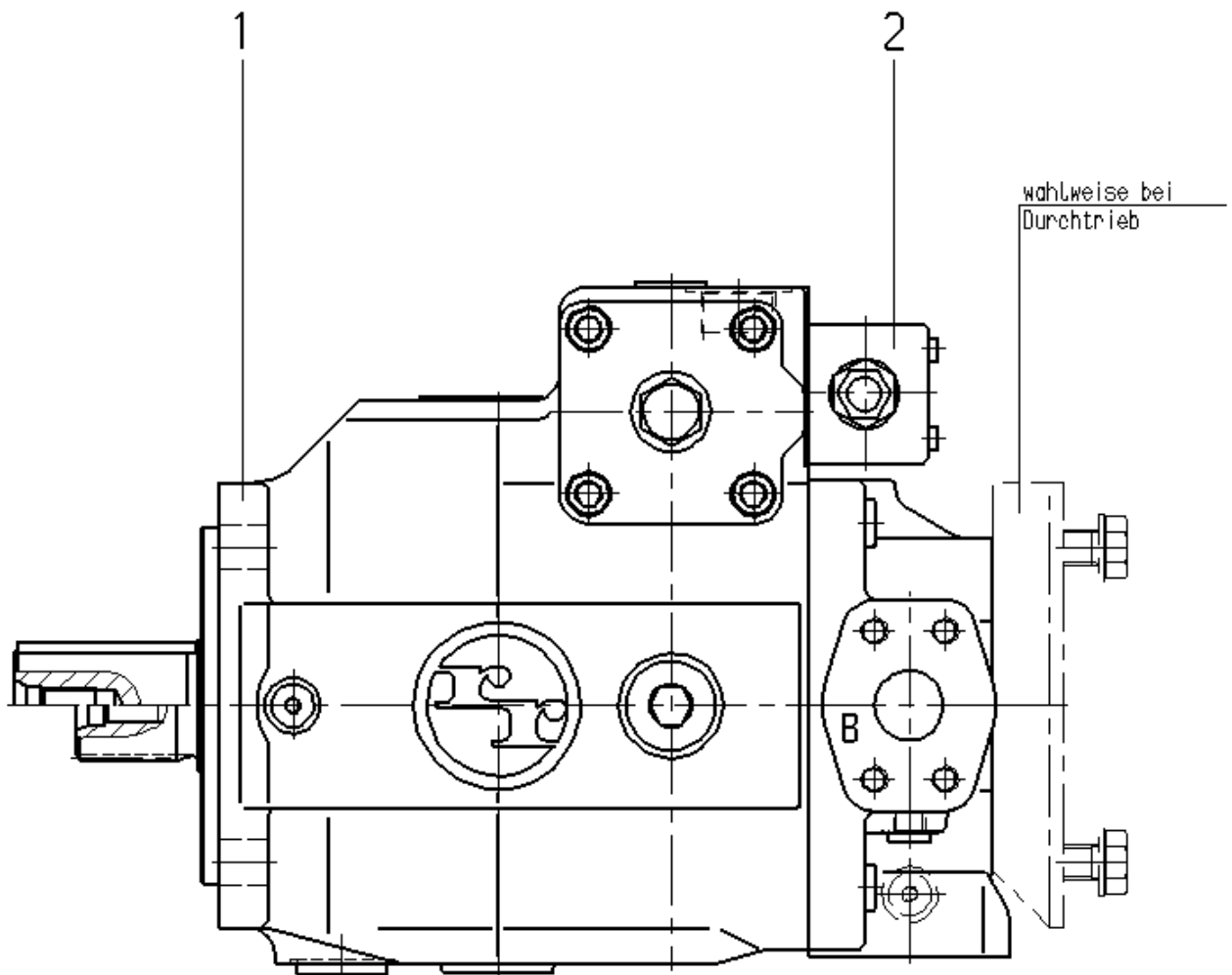
## Spare parts list

Product Unit  
Axial Piston Units

Part No.: R910934611

Designation: A A4VSO 180 DR /22R-PPB13N00

Drawing no.: R910934612



## Spare parts list

Product Unit  
Axial Piston Units

Part No.: R910934217

Designation: G A4VSO 180 OV /22R-PPB13N00

Drawing no.: R910934225

Pos.	Part No.	Designation	Quantity	
1	R910934102	TW A4VSO 180 /22R-PPBN00	1 ST	L
4	R910996953	PORT PLATE	1 ST	
5	R910928485	ANZEIGEVORRICHTUNG	1 ST	L
6	R910798355	THREADED BOLT	1 ST	L
9	R910209228	SOCKET-HEAD SCREW	8 ST	
10	R910632597	LOCKING SCREW	4 ST	D
12	R910531308	LOCKING SCREW	3 ST	D
13	R910928484	O-RING	1 ST	D
14	R910942134	KANTSIL DKAR00011' 7,65X1,68' N90 B+S	1 ST	D
17	R909831318	DOUBLE BREAK-OFF PIN	2 ST	D
18	R910977645	PLUG	1 ST	D
20	R910922276	ORIFICE	1 ST	

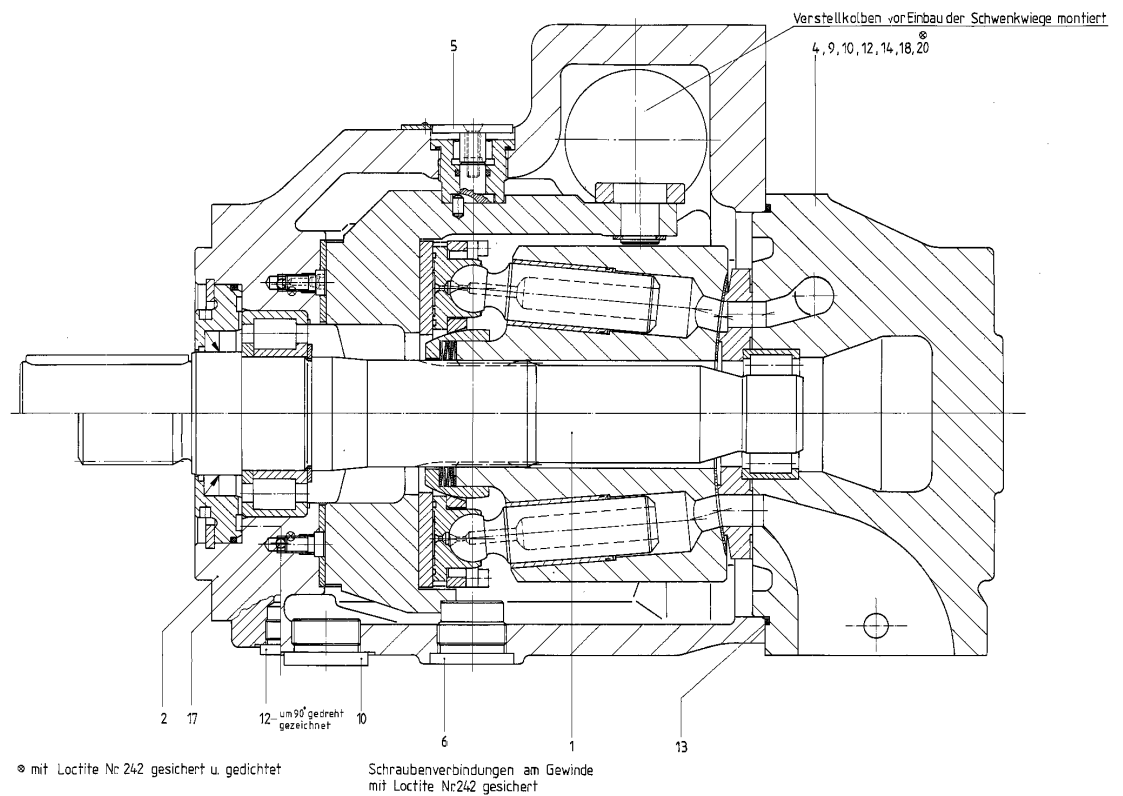
## Spare parts list

Product Unit  
Axial Piston Units

Part No.: R910934217

Designation: G A4VSO 180 OV /22R-PPB13N00

Drawing no.: R910934225



## Spare parts list

Product Unit  
Axial Piston Units

Part No.: R910934102

Designation: TW A4VSO 180 /22R-PPBN00

Drawing no.: R910934107

Pos.	Part No.	Designation	Quantity	
1	R910925455	PISTON-SLIPPER PAD	9 ST	
3	R910936279	ZYLINDER MIT BUCHSEN A4VS 180/22	1 ST	
4	R910934108	CONTROL PLATE	1 ST	
5	R902409014	DRIVE SHAFT	1 ST	
6	R910995197	SWASHPLATE	1 ST	
7	R910928204	MITNEHMERZAPFEN A4VS 180	1 ST	
8	R910923656	SLIDE RING	1 ST	
9	R902400681	RETAINING PLATE	1 ST	
10	R910928206	RUECKZUGKUGEL A4 180/22	1 ST	
11	R910960458	DISTANZSEGMENT A4VS 180	4 ST	
12	R910995055	SEGMENT	4 ST	
13	R910991719	SEAL FLANGE	1 ST	
14	R910946525	LAGERSCHALE A4VS180/22/30	2 ST	
15	R910934106	SLIPPER DISC	1 ST	
16	R910960168	SHIM	1 ST	
17	R902400546	SHIM	1 ST	
23	R910949038	FIXIERSCHRAUBE A4VSO 125-355	1 ST	
24	R910960738	PLAIN ROLLER BEARING	1 ST	
25	R910928220	PLAIN ROLLER BEARING	1 ST	
27	R910927019	TELLERFEDER-SAEULE	1 ST	
28	R902400750	SHIM	1 ST	
29	R910381209	SHAFT SEAL RING	1 ST	D
30	R910112208	O-RING	1 ST	D
31	R902400755	BACK-UP RING	1 ST	
32	R910126691	RETAINING RING	1 ST	
33	R910991780	RETAINING RING	1 ST	
34	R910116025	RETAINING RING	1 ST	
35	R902651041	CYLINDER PIN	1 ST	
36	R910932882	FIXIERSCHRAUBE	1 ST	
37	R902650866	SOCKET-HEAD SCREW	8 ST	
38	R910244848	SHAFT KEY	1 ST	
39	R910991781	RETAINING RING	1 ST	
40	R910991782	RETAINING RING	1 ST	
41	R910991784	RETAINING RING	1 ST	
43	R910991665	RETAINING RING	1 ST	
44	R910991666	RETAINING RING	1 ST	
45	R910991667	RETAINING RING	1 ST	
46	R910991668	RETAINING RING	1 ST	

L = Assembly group    D = Sealing element

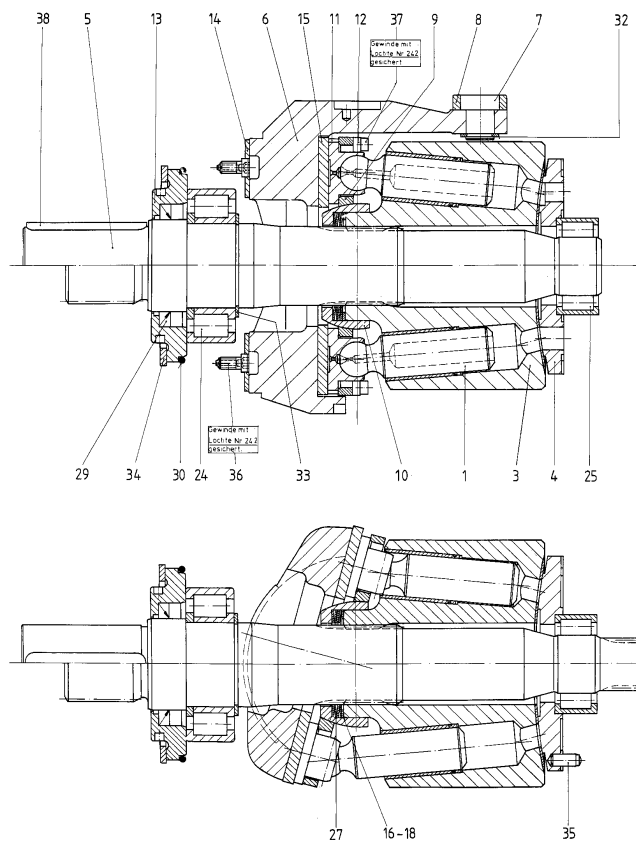
## Spare parts list

Product Unit  
Axial Piston Units

Part No.: R910934102

Designation: TW A4VSO 180 /22R-PPBN00

Drawing no.: R910934107



L = Assembly group    D = Sealing element

## Spare parts list

Product Unit  
Axial Piston Units

Part No.: R910928485

Designation: ANZEIGEVORRICHTUNG

Drawing no.: R910798371

Pos.	Part No.	Designation	Quantity	
1	R910789534	THREADED BOLT	1 ST	
2	R910928465	MITNEHMERZAPFEN A4VS 125/180	1 ST	
3	R910798398	SPACER PIPE	1 ST	
4	R910765422	INDICATOR	1 ST	
5	R910765473	PLATE	1 ST	
6	R910744514	SEAL RING	1 ST	D
7	R910929484	QUAD-RING 4112 -V7002 12,37X 2,62	1 ST	D
8	R910797472	FLAT HEAD SCREW	1 ST	
9	R910101265	ROUND HEAD RIVET	2 ST	
10	R910928490	CYLINDER PIN	1 ST	

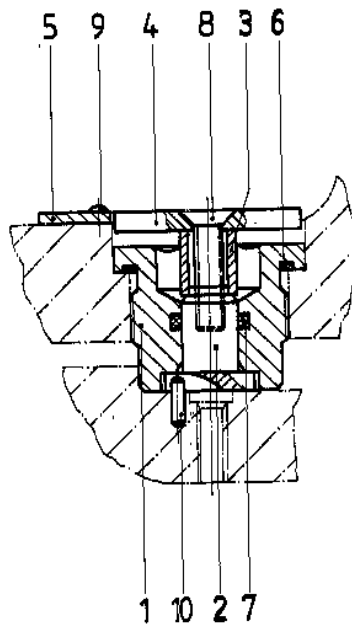
## Spare parts list

Product Unit  
Axial Piston Units

Part No.: R910928485

Designation: ANZEIGEVORRICHTUNG

Drawing no.: R910798371



L = Assembly group    D = Sealing element

Page: 8

Date: 19.06.2007



## Spare parts list

Product Unit  
Axial Piston Units

Part No.: R910798355

Designation: THREADED BOLT

Drawing no.: R910765775

Pos.	Part No.	Designation	Quantity	
1	R910789526	THREADED BOLT	1 ST	
2	R910744514	SEAL RING	1 ST	D

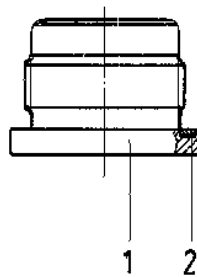
## Spare parts list

Product Unit  
Axial Piston Units

Part No.: R910798355

Designation: THREADED BOLT

Drawing no.: R910765775



## Spare parts list

Product Unit  
Axial Piston Units

Part No.: R910934545

Designation: R A4VS 180 DR /20

Drawing no.: R910943833

Pos.	Part No.	Designation	Quantity	
1	R910934546	V A4VS 180 DR /20	1 ST	L
2	R910799734	STEUERVENTIL A4VS DR P	1 ST	L
5	R910785105	SOCKET-HEAD SCREW	4 ST	

L = Assembly group    D = Sealing element

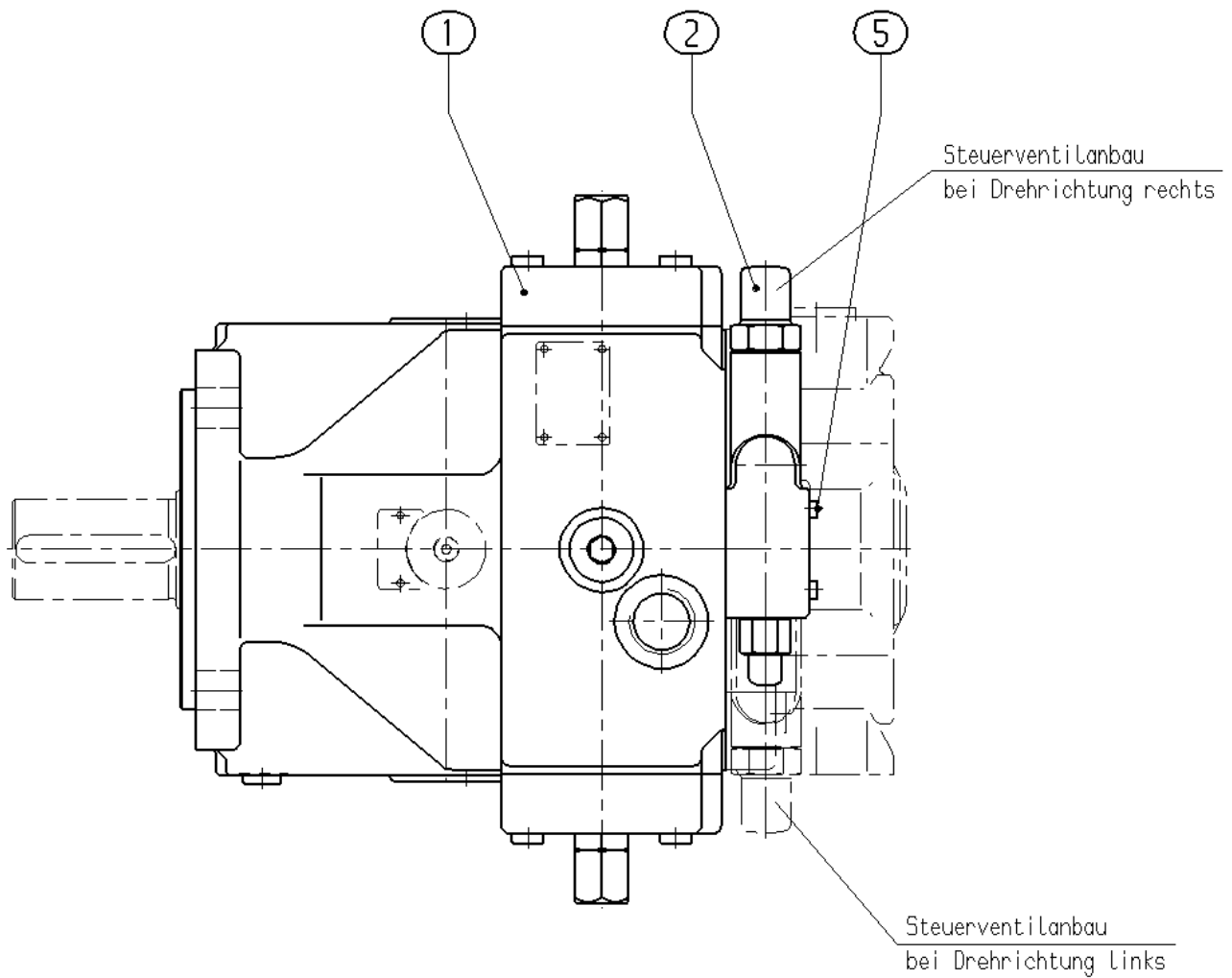
## Spare parts list

Product Unit  
Axial Piston Units

Part No.: R910934545

Designation: R A4VS 180 DR /20

Drawing no.: R910943833



## Spare parts list

Product Unit  
Axial Piston Units

Part No.: R910934546

Designation: V A4VS 180 DR /20

Drawing no.: R910795917

Pos.	Part No.	Designation	Quantity	
1	R910903736	PISTON HOUSING	1 ST	
2	R910903728	PISTON HOUSING	1 ST	
3	R902407536	CONTROL PISTON	1 ST	
4	R910943111	SPRING	1 ST	
5	R910934530	PUMP HOUSING	1 ST	
6	R910977645	PLUG	1 ST	D
7	R910042617	GEW.STIFT M 16X1,5X50 -10.9 DIN 913	1 ST	D
8	R910903326	NUT	2 ST	
9	R910522449	O-RING	2 ST	D
10	R902650321	KANTSIL DKAR00149' 71,12X2,51 N70 B+S	2 ST	D
11	R910925764	THREADED PIN	1 ST	
12	R910220264	SOCKET-HEAD SCREW	8 ST	
13	R910827916	O-RING	4 ST	D
14	R910903327	CAP NUT	2 ST	
16	R910632562	VERSCHLUSSSCHRAUBE N 02.009-M27X2 P#90NM	1 ST	D
17	R910942813	KANTSIL DKAR00014' 12,42X1,68' N90 B+S	2 ST	D
18	R910101001	GEW.STIFT M 6X 10 -10.9 DIN 913	1 ST	
20	R910100579	ORIFICE	1 ST	

## Spare parts list

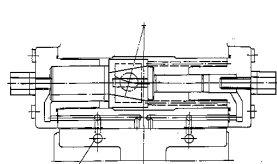
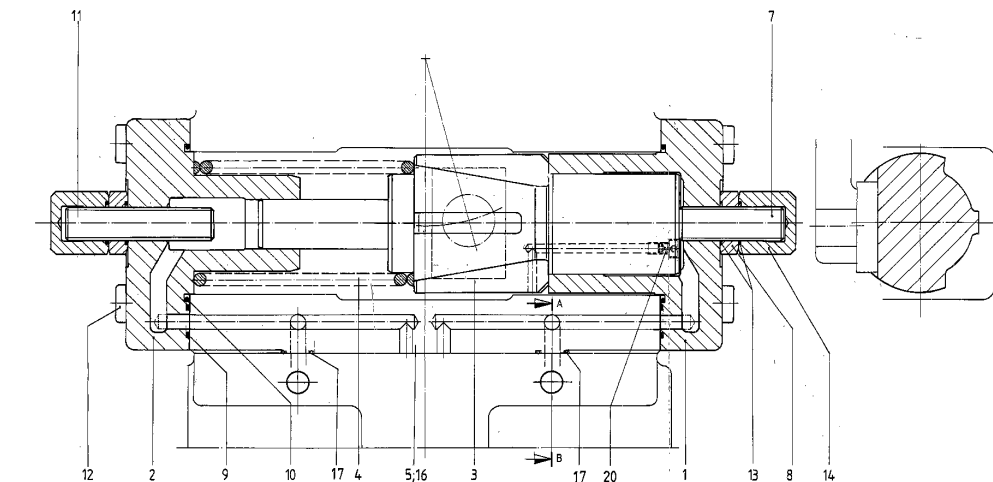
Product Unit  
Axial Piston Units

Part No.: R910934546

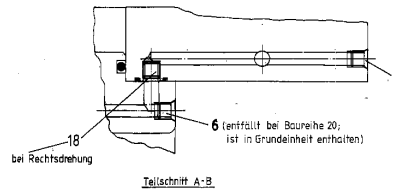
Designation: V A4VS 180 DR /20

Drawing no.: R910795917

Darstellung für Antriebsdrehrichtung rechts



Pos. 18 bei Links-drehung  
Darstellung für Antriebsdrehrichtung links



bei Rechts-drehung

Teilschnitt A-B

Pos. 6; 15 und 18 mit Loctite Nr. 242 eingeklebt  
(bei Druckflüssigkeit Skydrol mit Loctite Nr. 270)

6 (entfällt bei Baureihe 20;  
ist in Grundeinheit enthalten)

## Spare parts list

Product Unit  
Axial Piston Units

Part No.: R910799734

Designation: STEUERVENTIL A4VS DR P

Drawing no.: R910799742

Pos.	Part No.	Designation	Quantity	
1	R910913109	ZVK STEUERV. A4VS DR P	1 ST	
2	R910514543	O-RING	5 ST	D

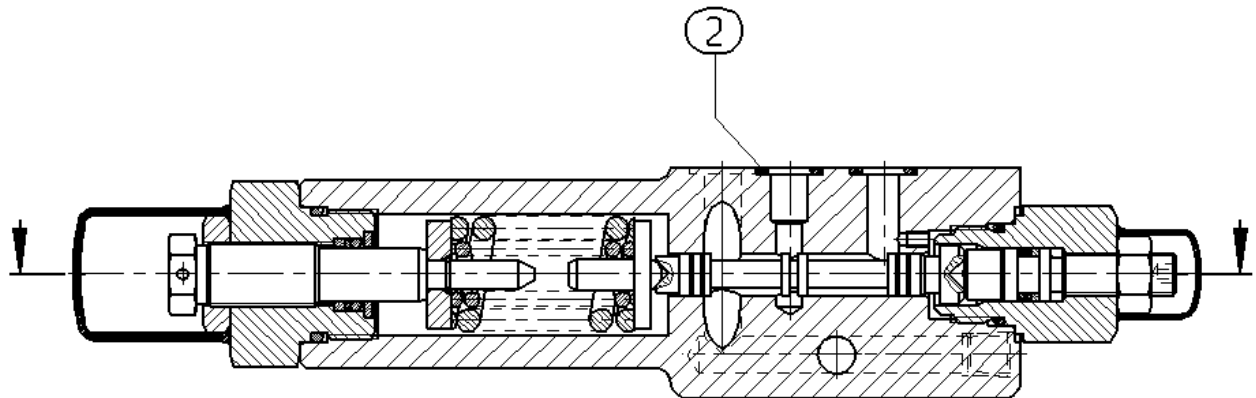
## Spare parts list

Product Unit  
Axial Piston Units

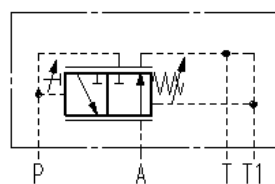
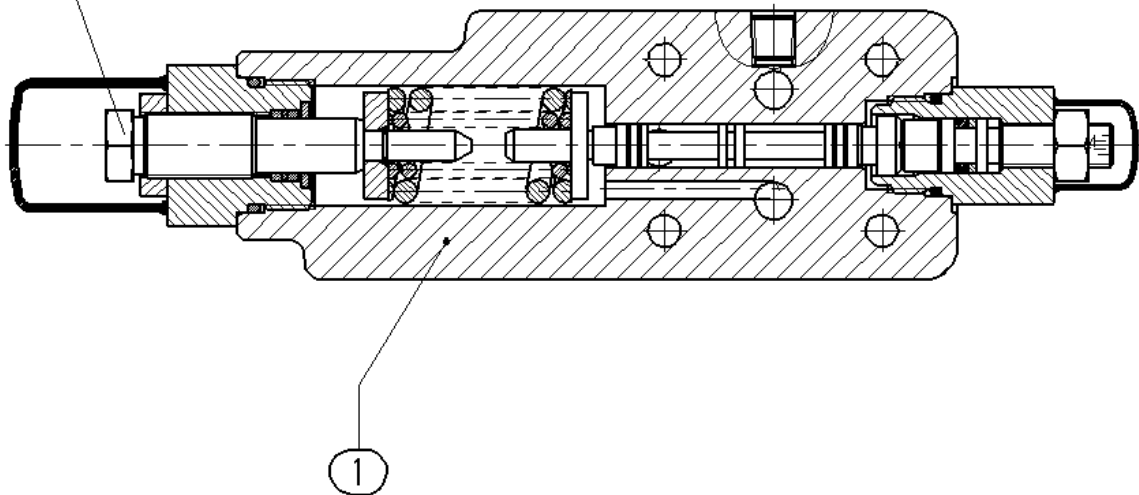
Part No.: R910799734

Designation: STEUERVENTIL A4VS DR P

Drawing no.: R910799742



Einstellempfindlichkeit = 43.53 bar/mm



L = Assembly group D = Sealing element

Page: 16

Date: 19.06.2007