

Spare parts list

Product Unit
Axial Piston Units

Part No.: R909604576

Designation: A6VM107HD1D/63W-VZB020B

Drawing no.: R909721643

| Pos. | Part No. | Designation | Quantity | |
|------|------------|-------------------|----------|---|
| 1 | R909603781 | ROTARY GROUP | 1 ST | L |
| 2 | R909604570 | CONTROL | 1 ST | L |
| 5 | R909921384 | HOUSING | 1 ST | |
| 8 | R909156651 | LOCKING SCREW | 1 ST | D |
| 9 | R909083415 | RETAINING RING | 1 ST | |
| 10 | R909831662 | SHAFT SEAL RING | 1 ST | D |
| 11 | R909087019 | BACK-UP PLATE | 1 ST | D |
| 12 | R909086482 | O-RING | 1 ST | D |
| 13 | R909156651 | LOCKING SCREW | 1 ST | D |
| 17 | R909446862 | THREADED PIN | 2 ST | L |
| 18 | R909152459 | SEAL LOCK NUT | 2 ST | D |
| 98 | R902002300 | SEAL KIT,COMPLETE | 1 ST | |

Safety Notes:

Service – and repair works have to be carried out by the Bosch Rexroth AG or their repair stations only. We do not grant any warranty for defects due to assembly, maintenance or repair not effected by the Bosch Rexroth AG or their repair stations.

L = Assembly group D = Sealing element

Page: 1

Date: 08.06.2007

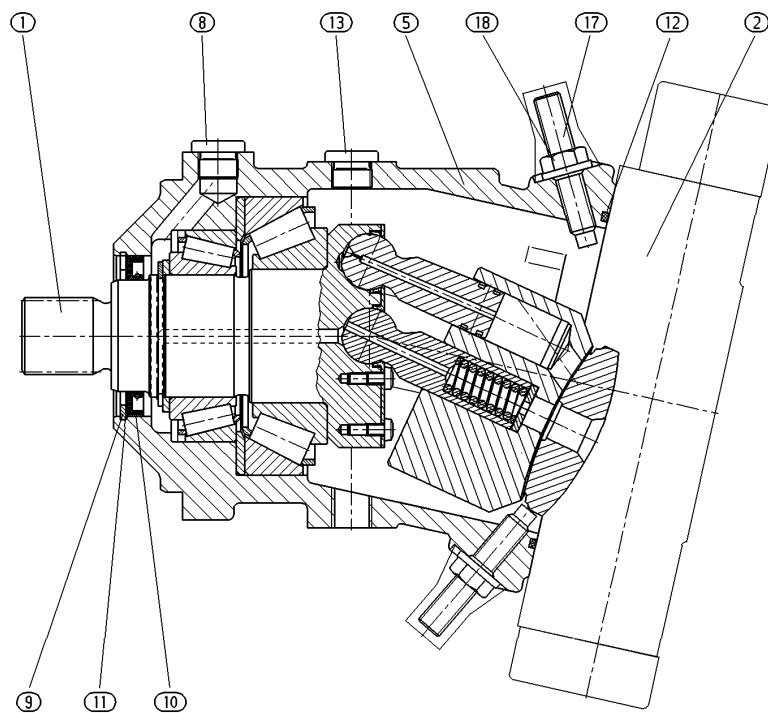
Spare parts list

Product Unit
Axial Piston Units

Part No.: R909604576

Designation: A6VM107HD1D/63W-VZB020B

Drawing no.: R909721643



Spare parts list

Product Unit
Axial Piston Units

Part No.: R909603781

Designation: ROTARY GROUP

Drawing no.: R909700483

| Pos. | Part No. | Designation | Quantity | |
|------|------------|-----------------------------|----------|---|
| 1 | R909603782 | ROTARY GROUP, HYDR. SECTION | 1 ST | L |
| 2 | R909921430 | DRIVE SHAFT | 1 ST | |
| 3 | R909651520 | SHIM | 1 ST | |
| 6 | R909651281 | BACK-UP PLATE | 1 ST | |
| 6 | R909921452 | BACK-UP PLATE | 1 ST | |
| 6 | R909921453 | BACK-UP PLATE | 1 ST | |
| 6 | R909921454 | BACK-UP PLATE | 1 ST | |
| 6 | R909921455 | BACK-UP PLATE | 1 ST | |
| 6 | R909921456 | BACK-UP PLATE | 1 ST | |
| 6 | R909921457 | BACK-UP PLATE | 1 ST | |
| 6 | R909921458 | BACK-UP PLATE | 1 ST | |
| 6 | R909921459 | BACK-UP PLATE | 1 ST | |
| 7 | R909084419 | RETAINING RING | 1 ST | |
| 10 | R909154344 | TAPERED-ROLLER BEARING | 1 ST | |
| 11 | R909152775 | TAPERED-ROLLER BEARING | 1 ST | |

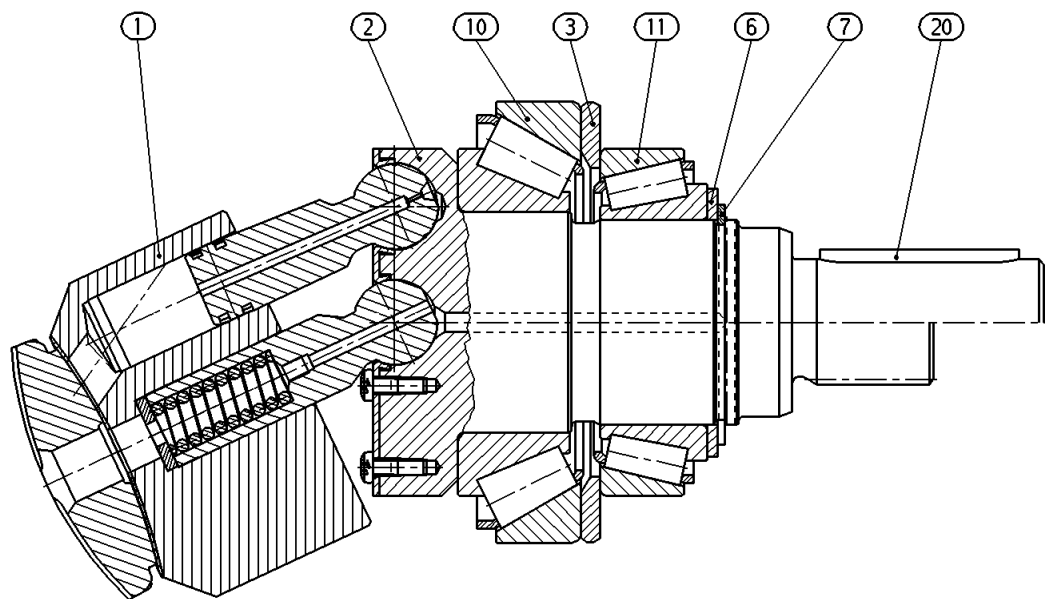
Spare parts list

Product Unit
Axial Piston Units

Part No.: R909603781

Designation: ROTARY GROUP

Drawing no.: R909700483



Spare parts list

Product Unit
Axial Piston Units

Part No.: R909603782

Designation: ROTARY GROUP, HYDR. SECTION

Drawing no.: R909700485

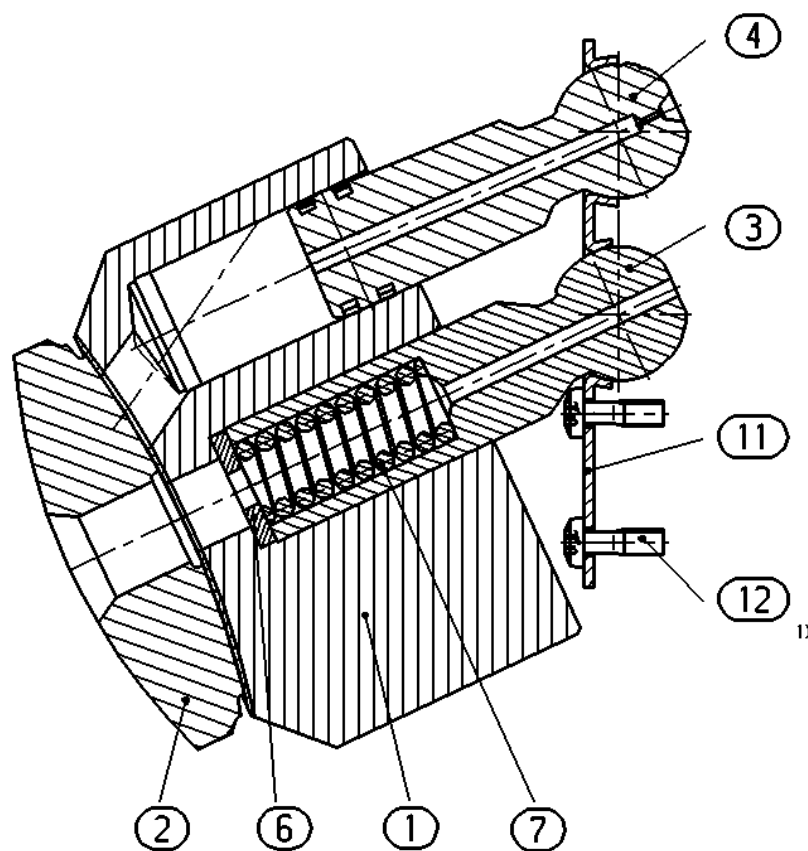
| Pos. | Part No. | Designation | Quantity | |
|------|------------|--------------------------|----------|---|
| 1 | R909421288 | CYLINDER | 1 ST | |
| 2 | R909921788 | CONTROL LENS | 1 ST | |
| 3 | R909921524 | CENTER PIN | 1 ST | |
| 4 | R902021903 | PISTON WITH PISTON RINGS | 7 ST | L |
| 6 | R909921535 | ADJUSTMENT SHIM | 1 ST | |
| 6 | R909921536 | ADJUSTMENT SHIM | 1 ST | |
| 6 | R909921537 | ADJUSTMENT SHIM | 1 ST | |
| 6 | R909921538 | ADJUSTMENT SHIM | 1 ST | |
| 6 | R909921539 | ADJUSTMENT SHIM | 1 ST | |
| 6 | R909921540 | ADJUSTMENT SHIM | 1 ST | |
| 7 | R909921541 | PRESSURE SPRING | 1 ST | |
| 11 | R902024999 | RETAINING PLATE | 1 ST | |
| 12 | R902602493 | SCREW (COUNTERSUNK) | 14 ST | |

Spare parts list

Part No.: R909603782

Designation: ROTARY GROUP, HYDR. SECTION

Drawing no.: R909700485



1) N02, 119 beachten

Spare parts list

Product Unit
Axial Piston Units

Part No.: R902021903

Designation: PISTON WITH PISTON RINGS

Drawing no.: R902021890

| Pos. | Part No. | Designation | Quantity |
|------|------------|--------------------|----------|
| 1 | R909443470 | PISTON | 1 ST |
| 2 | R909831895 | STEEL SEALING RING | 2 ST |

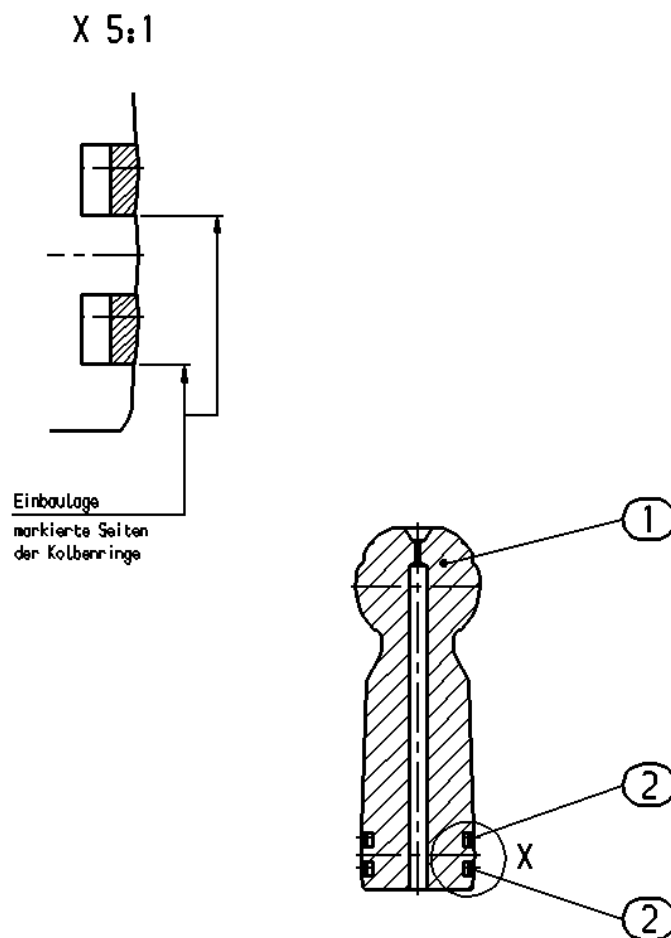
Spare parts list

Product Unit
Axial Piston Units

Part No.: R902021903

Designation: PISTON WITH PISTON RINGS

Drawing no.: R902021890



Spare parts list

Product Unit
Axial Piston Units

Part No.: R909604570

Designation: CONTROL

Drawing no.: R909729201

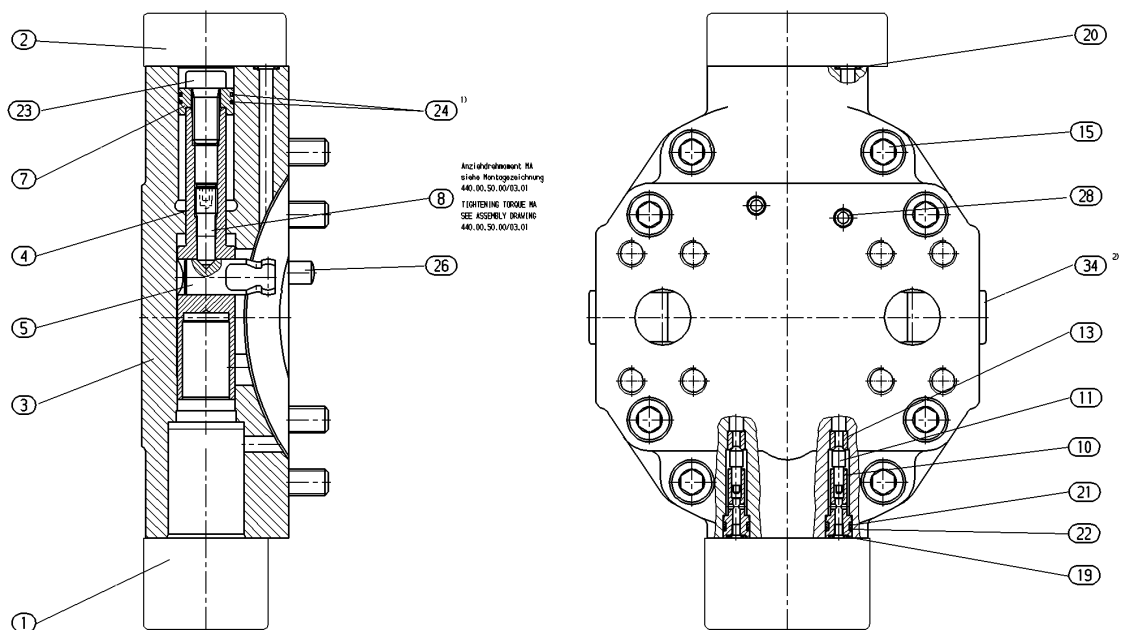
| Pos. | Part No. | Designation | Quantity | |
|------|------------|----------------------|----------|---|
| 1 | R909604565 | CONTROL PART | 1 ST | L |
| 2 | R909603841 | COVER | 1 ST | L |
| 3 | R909921403 | PORT PLATE | 1 ST | |
| 4 | R909921437 | POSITIONING PISTON | 1 ST | |
| 5 | R909422217 | POSITIONING TRUNNION | 1 ST | |
| 7 | R909652202 | PISTON | 1 ST | |
| 8 | R909445015 | THREADED PIN | 1 ST | |
| 10 | R902075344 | VALVE GUIDE | 2 ST | |
| 11 | R909426662 | BOLT | 2 ST | |
| 13 | R909412756 | BUSH | 2 ST | |
| 15 | R909083090 | SOCKET-HEAD SCREW | 8 ST | D |
| 19 | R909830726 | O-RING | 2 ST | D |
| 20 | R909085577 | O-RING | 6 ST | D |
| 21 | R909086487 | O-RING | 2 ST | D |
| 22 | R902602322 | BACK-UP RING | 2 ST | |
| 23 | R909083204 | SOCKET-HEAD SCREW | 1 ST | |
| 24 | R909832144 | SQUARE RING | 3 ST | D |
| 26 | R909152600 | CYLINDER PIN | 2 ST | |
| 28 | R909831318 | DOUBLE BREAK-OFF PIN | 1 ST | D |

Spare parts list

Product Unit
Axial Piston Units

Part No.: R909604570
Designation: CONTROL

Drawing no.: R909729201



2) wahlweise
1) Stoß um 180° versetzt montiert

2) ALTERNATIVELY
1) PISTON-RING GAP TURNED THROUGH 180°

Spare parts list

Product Unit
Axial Piston Units

Part No.: R909604565

Designation: CONTROL PART

Drawing no.: R909729318

| Pos. | Part No. | Designation | Quantity | |
|------|------------|----------------------|----------|---|
| 1 | R902000311 | CONTROL HOUSING | 1 ST | |
| 2 | R909412246 | CONTROL BUSH | 1 ST | |
| 3 | R909412266 | CONTROL PISTON | 1 ST | |
| 4 | R909651119 | ADJUSTING BUSHING | 1 ST | |
| 5 | R909921351 | SPRING COLLAR | 1 ST | |
| 6 | R909413198 | SPRING COLLAR | 1 ST | |
| 7 | R909921420 | PRESSURE SPRING | 1 ST | |
| 8 | R909431104 | PRESSURE SPRING | 1 ST | |
| 9 | R909651117 | PRESSURE SPRING | 1 ST | |
| 14 | R909085560 | O-RING | 1 ST | D |
| 15 | R909083042 | SOCKET-HEAD SCREW | 4 ST | |
| 16 | R909153930 | LOCKING SCREW | 1 ST | D |
| 17 | R909083381 | RETAINING RING | 1 ST | D |
| 18 | R909083488 | THREADED PIN | 1 ST | |
| 19 | R909152427 | THREADED PIN | 1 ST | |
| 20 | R909087165 | CYLINDER PIN | 1 ST | |
| 21 | R909152425 | SEAL LOCK NUT | 1 ST | D |
| 22 | R909831317 | DOUBLE BREAK-OFF PIN | 5 ST | D |
| 40 | R909440571 | CONTROL PISTON | 1 ST | |
| 41 | R902000492 | CONTROL BUSH | 1 ST | |
| 43 | R909075975 | SPRING COLLAR | 2 ST | |
| 44 | R902057206 | LOCKING SCREW | 1 ST | |
| 46 | R909420239 | PRESSURE SPRING | 1 ST | |
| 47 | R902052249 | THREADED PIN | 1 ST | |
| 48 | R909152686 | O-RING | 1 ST | D |
| 49 | R909157764 | SEAL LOCK NUT | 1 ST | D |

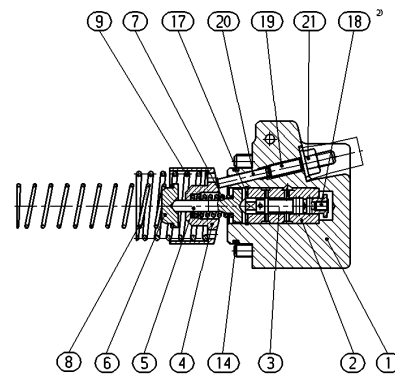
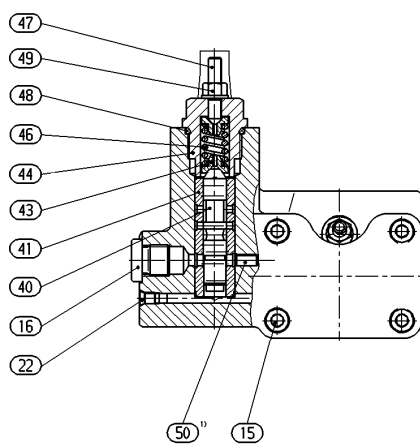
Spare parts list

Product Unit
Axial Piston Units

Part No.: R909604565

Designation: CONTROL PART

Drawing no.: R909729318



2) mit Loctite 262 gesichert/abgedichtet
1) teilweise nach Stückliste

Spare parts list

Product Unit
Axial Piston Units

Part No.: R909603841

Designation: COVER

Drawing no.: R902035499

| Pos. | Part No. | Designation | Quantity | |
|------|------------|-------------------|----------|---|
| 1 | R909445989 | COVER | 1 ST | |
| 2 | R909400263 | THROTTLE SCREW | 1 ST | D |
| 3 | R909446625 | THROTTLE PIN | 1 ST | L |
| 4 | R909400264 | THROTTLE SCREW | 1 ST | D |
| 10 | R909157771 | SOCKET-HEAD SCREW | 4 ST | |
| 11 | R909085578 | O-RING | 1 ST | D |
| 12 | R909153930 | LOCKING SCREW | 1 ST | D |

L = Assembly group D = Sealing element

Page: 13

Date: 08.06.2007

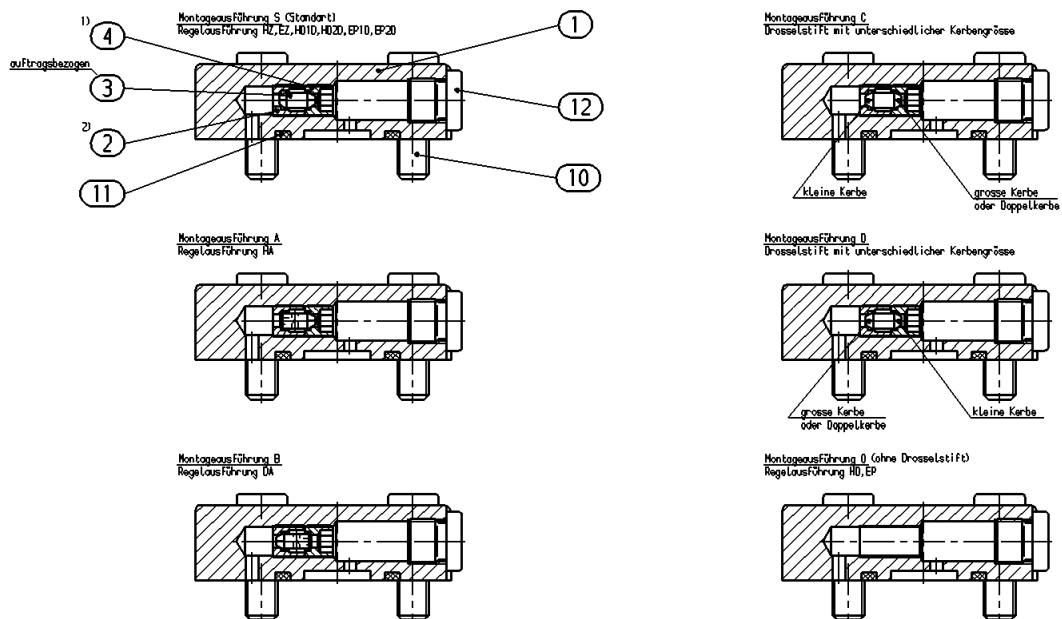
Spare parts list

Product Unit
Axial Piston Units

Part No.: R909603841

Designation: COVER

Drawing no.: R902035499



1) Anziehdrehmoment= 8Nm geölt montiert
2) Anziehdrehmoment= 3Nm geölt montiert

Spare parts list

Product Unit
Axial Piston Units

Part No.: R909446625

Designation: THROTTLE PIN

| Pos. | Part No. | Designation | Quantity | |
|------|------------|--------------|----------|---|
| 3 | R909400262 | THROTTLE PIN | 1 ST | D |
| 4 | R909411019 | THROTTLE PIN | 1 ST | |
| 5 | R909410814 | THROTTLE PIN | 1 ST | |
| 6 | R909410142 | THROTTLE PIN | 1 ST | |
| 8 | R909410278 | THROTTLE PIN | 1 ST | |
| 12 | R909651337 | THROTTLE PIN | 1 ST | |
| 13 | R909417118 | THROTTLE PIN | 1 ST | |
| 14 | R909425867 | THROTTLE PIN | 1 ST | |
| 15 | R909425868 | THROTTLE PIN | 1 ST | |
| 16 | R909425869 | THROTTLE PIN | 1 ST | |
| 18 | R909425870 | THROTTLE PIN | 1 ST | D |
| 19 | R909432572 | THROTTLE PIN | 1 ST | |
| 20 | R902083317 | THROTTLE PIN | 1 ST | |
| 21 | R909444305 | THROTTLE PIN | 1 ST | |
| 22 | R909921168 | THROTTLE PIN | 1 ST | |
| 23 | R909650161 | THROTTLE PIN | 1 ST | |
| 24 | R909651078 | THROTTLE PIN | 2 ST | |
| 25 | R909651166 | THROTTLE PIN | 1 ST | |
| 26 | R909651165 | THROTTLE PIN | 1 ST | |
| 27 | R909651195 | THROTTLE PIN | 1 ST | |
| 28 | R902000453 | THROTTLE PIN | 1 ST | |
| 29 | R902009841 | THROTTLE PIN | 1 ST | |

Spare parts list

Product Unit
Axial Piston Units

Part No.: R909446862

Designation: THREADED PIN

| Pos. | Part No. | Designation | Quantity | |
|------|------------|--------------|----------|---|
| 1 | R909086120 | THREADED PIN | 1 ST | |
| 2 | R909083530 | THREADED PIN | 1 ST | |
| 3 | R909085976 | THREADED PIN | 1 ST | D |
| 4 | R909153075 | THREADED PIN | 1 ST | |
| 5 | R909154041 | THREADED PIN | 1 ST | |
| 6 | R909153975 | THREADED PIN | 1 ST | |
| 7 | R909154212 | THREADED PIN | 1 ST | |