

Spare parts list

Product Unit
Axial Piston Units

Part No.: R909605426

Designation: A6VM80DA1/63W-VZB027B

Drawing no.: R909721643

Pos.	Part No.	Designation	Quantity	
1	R909603778	ROTARY GROUP	1 ST	L
2	R909605427	CONTROL	1 ST	L
5	R909921417	HOUSING	1 ST	
8	R909156651	LOCKING SCREW	1 ST	D
9	R909083412	RETAINING RING	1 ST	
10	R909831178	SHAFT SEAL RING	1 ST	D
11	R909087188	BACK-UP PLATE	1 ST	D
12	R909156591	O-RING	1 ST	D
13	R909156651	LOCKING SCREW	1 ST	D
17	R909446862	THREADED PIN	2 ST	L
18	R909152459	SEAL LOCK NUT	2 ST	D
98	R902002303	SEAL KIT,COMPLETE	1 ST	

Safety Notes:

Service – and repair works have to be carried out by the Bosch Rexroth AG or their repair stations only. We do not grant any warranty for defects due to assembly, maintenance or repair not effected by the Bosch Rexroth AG or their repair stations.

L = Assembly group D = Sealing element

Page: 1

Date: 06.06.2007

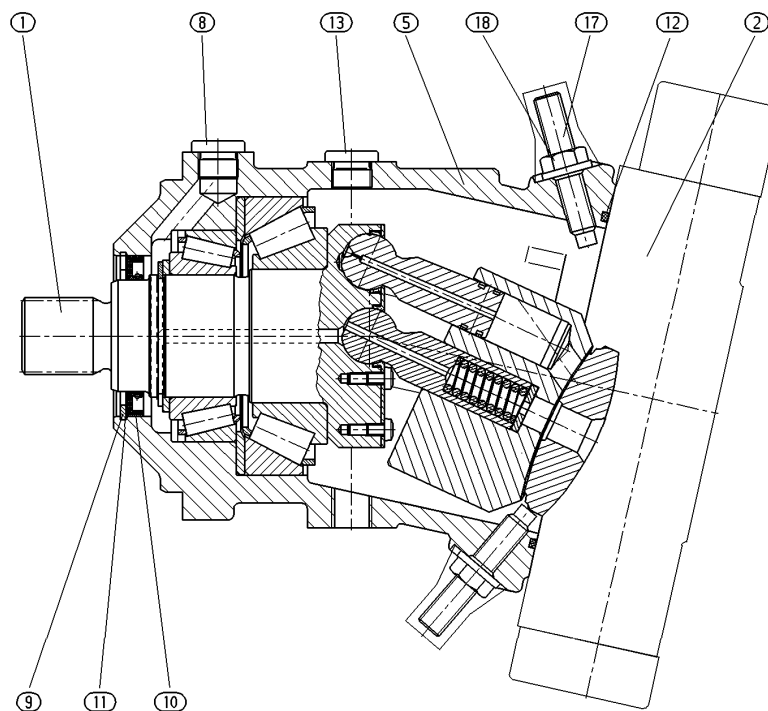
Spare parts list

Product Unit
Axial Piston Units

Part No.: R909605426

Designation: A6VM80DA1/63W-VZB027B

Drawing no.: R909721643



Spare parts list

Product Unit
Axial Piston Units

Part No.: R909603778

Designation: ROTARY GROUP

Drawing no.: R909700449

Pos.	Part No.	Designation	Quantity	
1	R909603779	ROTARY GROUP, HYDR. SECTION	1 ST	L
2	R909921496	DRIVE SHAFT	1 ST	
3	R909651516	SHIM	1 ST	
6	R909921488	BACK-UP PLATE	1 ST	
6	R909921489	BACK-UP PLATE	1 ST	
6	R909921490	BACK-UP PLATE	1 ST	
6	R909921491	BACK-UP PLATE	1 ST	
6	R909921492	BACK-UP PLATE	1 ST	
6	R909921493	BACK-UP PLATE	1 ST	
6	R909921494	BACK-UP PLATE	1 ST	
6	R909921495	BACK-UP PLATE	1 ST	
7	R909083365	RETAINING RING	1 ST	
10	R909154382	TAPERED-ROLLER BEARING	1 ST	
11	R909154293	TAPERED-ROLLER BEARING	1 ST	

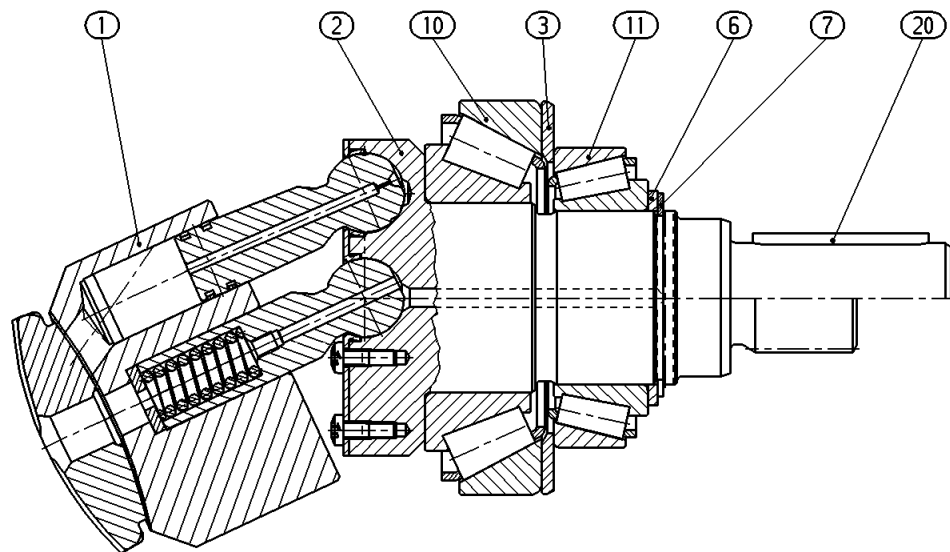
Spare parts list

Product Unit
Axial Piston Units

Part No.: R909603778

Designation: ROTARY GROUP

Drawing no.: R909700449



Spare parts list

Product Unit
Axial Piston Units

Part No.: R909603779

Designation: ROTARY GROUP, HYDR. SECTION

Drawing no.: R909700452

Pos.	Part No.	Designation	Quantity	
1	R909421289	CYLINDER	1 ST	
2	R909921787	CONTROL LENS	1 ST	
3	R909921508	CENTER PIN	1 ST	
4	R902021902	PISTON WITH PISTON RINGS	7 ST	L
6	R909921526	ADJUSTMENT SHIM	1 ST	
6	R902027333	ADJUSTMENT SHIM	1 ST	
6	R902027332	ADJUSTMENT SHIM	1 ST	
6	R902027331	ADJUSTMENT SHIM	1 ST	
6	R902027330	ADJUSTMENT SHIM	1 ST	
6	R902027329	ADJUSTMENT SHIM	1 ST	
7	R909921507	PRESSURE SPRING	1 ST	
11	R909062847	RETAINING PLATE	1 ST	
12	R902602493	SCREW (COUNTERSUNK)	14 ST	

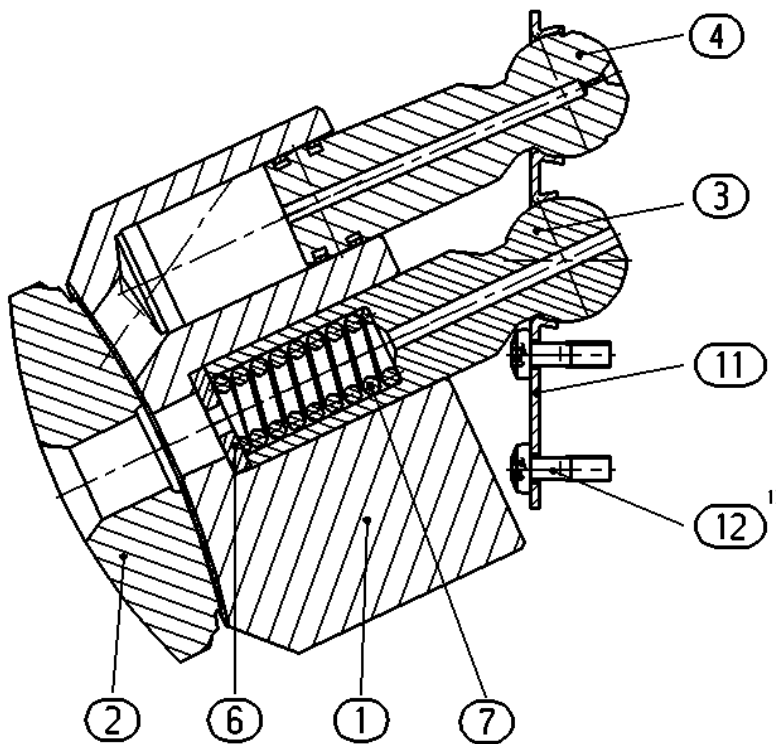
Spare parts list

Product Unit
Axial Piston Units

Part No.: R909603779

Designation: ROTARY GROUP, HYDR. SECTION

Drawing no.: R909700452



1) M2.119 beachten

Spare parts list

Product Unit
Axial Piston Units

Part No.: R902021902

Designation: PISTON WITH PISTON RINGS

Drawing no.: R902021890

Pos.	Part No.	Designation	Quantity
1	R909443336	PISTON	1 ST
2	R909831893	STEEL SEALING RING	2 ST

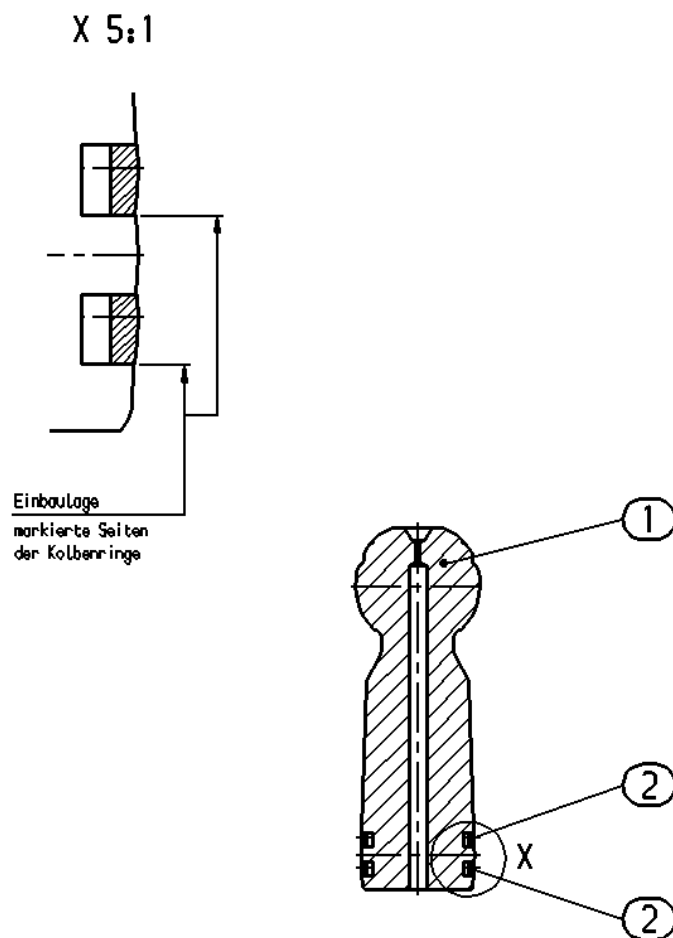
Spare parts list

Product Unit
Axial Piston Units

Part No.: R902021902

Designation: PISTON WITH PISTON RINGS

Drawing no.: R902021890



Spare parts list

Product Unit
Axial Piston Units

Part No.: R909605427

Designation: CONTROL

Drawing no.: R909729201

Pos.	Part No.	Designation	Quantity	
1	R909603788	CONTROL PART	1 ST	L
2	R909603762	FLUSH & BOOST PRESSURE VALVE	1 ST	L
3	R909921407	PORT PLATE	1 ST	
4	R909921438	POSITIONING PISTON	1 ST	
5	R909422949	POSITIONING TRUNNION	1 ST	
7	R909652201	PISTON	1 ST	
8	R909444969	THREADED PIN	1 ST	
10	R902075344	VALVE GUIDE	2 ST	
11	R909426662	BOLT	2 ST	
13	R909412756	BUSH	2 ST	
15	R909083097	SOCKET-HEAD SCREW	8 ST	
19	R909830726	O-RING	2 ST	D
20	R909085577	O-RING	6 ST	D
21	R909086487	O-RING	2 ST	D
22	R902602322	BACK-UP RING	2 ST	
23	R909083204	SOCKET-HEAD SCREW	1 ST	
24	R909832143	SQUARE RING	3 ST	D
26	R909152600	CYLINDER PIN	2 ST	
28	R909831318	DOUBLE BREAK-OFF PIN	1 ST	D

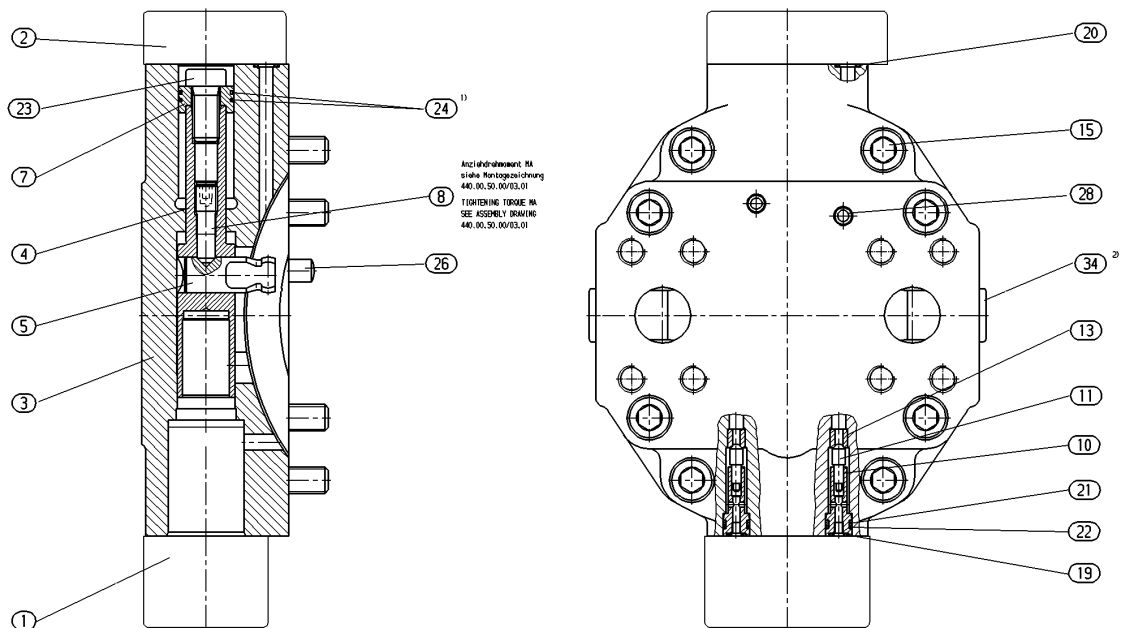
Spare parts list

Product Unit
Axial Piston Units

Part No.: R909605427

Designation: CONTROL

Drawing no.: R909729201



2) wahlweise
1) Stoß um 180° versetzt montiert

2) ALTERNATIVELY
1) PISTON-RING GAP TURNED THROUGH 180°

Spare parts list

Product Unit
Axial Piston Units

Part No.: R909603788

Designation: CONTROL PART

Drawing no.: R902016625

Pos.	Part No.	Designation	Quantity	
1	R909921572	CONTROL HOUSING	1 ST	
2	R909424258	CONTROL BUSH	1 ST	
3	R909921245	CONTROL PISTON	1 ST	
4	R909651118	ADJUSTING BUSHING	1 ST	
5	R909921339	SPRING COLLAR	1 ST	
7	R909921419	PRESSURE SPRING	1 ST	
9	R909651116	PRESSURE SPRING	1 ST	
10	R909435792	SLIDER	1 ST	
12	R909409598	FITTING	2 ST	
14	R909157562	O-RING	1 ST	D
15	R909083028	SOCKET-HEAD SCREW	4 ST	
16	R909153930	LOCKING SCREW	2 ST	D
17	R909083381	RETAINING RING	1 ST	D
18	R909083488	THREADED PIN	1 ST	
19	R909152427	THREADED PIN	1 ST	
20	R909087756	CYLINDER PIN	1 ST	
21	R909152425	SEAL LOCK NUT	1 ST	D
23	R909831316	DOUBLE BREAK-OFF PIN	2 ST	
24	R909831317	DOUBLE BREAK-OFF PIN	7 ST	D
25	R909831319	DOUBLE BREAK-OFF PIN	1 ST	D

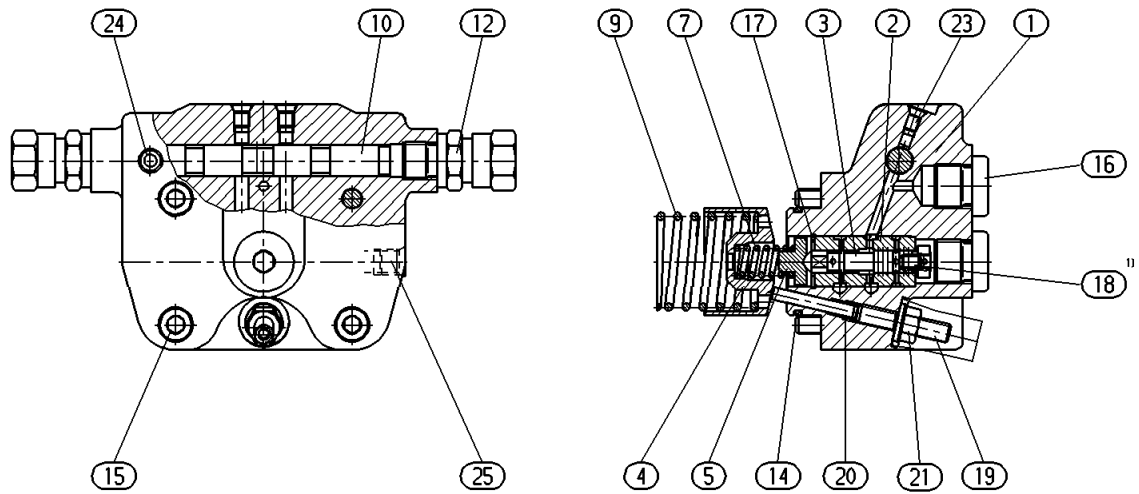
Spare parts list

Product Unit
Axial Piston Units

Part No.: R909603788

Designation: CONTROL PART

Drawing no.: R902016625



1) Pos. ◻ Gewinde mit LOCTITE 262 gesichert/abgedichtet
POS. SEALED AND LOCKED ON THE THREADS WITH LOCTITE 262

Spare parts list

Product Unit
Axial Piston Units

Part No.: R909603762

Designation: FLUSH & BOOST PRESSURE VALVE

Pos.	Part No.	Designation	Quantity	
1	R909613836	FLUSH & BOOST PRESSURE VALVE W/O ORIF.	1 ST	L
3	R909446625	THROTTLE PIN	1 ST	L
30	R909447591	ORIFICE	1 ST	L

Spare parts list

Product Unit
Axial Piston Units

Part No.: R909613836

Designation: FLUSH & BOOST PRESSURE VALVE W/O ORIF.

Drawing no.: R909730606

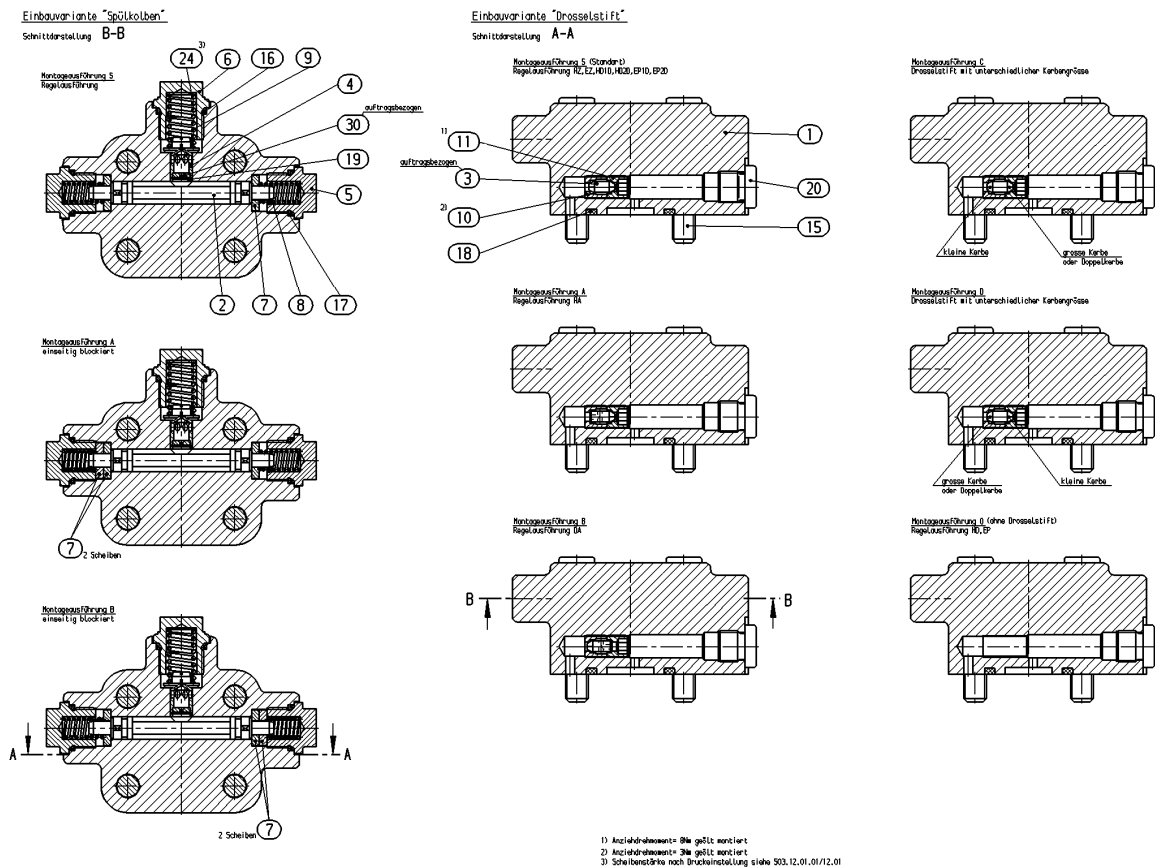
Pos.	Part No.	Designation	Quantity	
1	R909921266	VALVE HOUSING	1 ST	
2	R902000156	FLUSHING PISTON	1 ST	
4	R909430234	VALVE PISTON	1 ST	
5	R909417111	LOCKING SCREW	2 ST	
6	R909417846	LOCKING SCREW	1 ST	
7	R909417112	WASHER	2 ST	
8	R902011921	PRESSURE SPRING	2 ST	
9	R909417848	PRESSURE SPRING	1 ST	
10	R909400263	THROTTLE SCREW	1 ST	D
11	R909400264	THROTTLE SCREW	1 ST	D
15	R909831470	SOCKET-HEAD SCREW	4 ST	
16	R909087938	O-RING	1 ST	D
17	R909087891	O-RING	2 ST	D
18	R909085578	O-RING	1 ST	D
19	R909153012	RETAINING RING	1 ST	
20	R909153930	LOCKING SCREW	1 ST	D
24	R909157965	SHIM	1 ST	
24	R909157966	SHIM	1 ST	D
24	R909157079	SHIM	1 ST	

Spare parts list

Part No.: R909613836

Designation: FLUSH & BOOST PRESSURE VALVE W/O ORIF.

Drawing no.: R909730606



Spare parts list

Product Unit
Axial Piston Units

Part No.: R909446625

Designation: THROTTLE PIN

Pos.	Part No.	Designation	Quantity	
3	R909400262	THROTTLE PIN	1 ST	D
4	R909411019	THROTTLE PIN	1 ST	
5	R909410814	THROTTLE PIN	1 ST	
6	R909410142	THROTTLE PIN	1 ST	
8	R909410278	THROTTLE PIN	1 ST	
12	R909651337	THROTTLE PIN	1 ST	
13	R909417118	THROTTLE PIN	1 ST	
14	R909425867	THROTTLE PIN	1 ST	
15	R909425868	THROTTLE PIN	1 ST	
16	R909425869	THROTTLE PIN	1 ST	
18	R909425870	THROTTLE PIN	1 ST	D
19	R909432572	THROTTLE PIN	1 ST	
20	R902083317	THROTTLE PIN	1 ST	
21	R909444305	THROTTLE PIN	1 ST	
22	R909921168	THROTTLE PIN	1 ST	
23	R909650161	THROTTLE PIN	1 ST	
24	R909651078	THROTTLE PIN	2 ST	
25	R909651166	THROTTLE PIN	1 ST	
26	R909651165	THROTTLE PIN	1 ST	
27	R909651195	THROTTLE PIN	1 ST	
28	R902000453	THROTTLE PIN	1 ST	
29	R902009841	THROTTLE PIN	1 ST	

Spare parts list

Product Unit
Axial Piston Units

Part No.: R909447591

Designation: ORIFICE

Pos.	Part No.	Designation	Quantity
1	R909651766	ORIFICE	1 ST
2	R902030345	ORIFICE	1 ST
2	R909419695	ORIFICE	1 ST
3	R909419696	ORIFICE	1 ST
4	R909419697	ORIFICE	1 ST
5	R909444361	ORIFICE	1 ST
6	R902004465	ORIFICE	1 ST
7	R902107424	ORIFICE	1 ST

Spare parts list

Product Unit
Axial Piston Units

Part No.: R909446862

Designation: THREADED PIN

Pos.	Part No.	Designation	Quantity	
1	R909086120	THREADED PIN	1 ST	
2	R909083530	THREADED PIN	1 ST	
3	R909085976	THREADED PIN	1 ST	D
4	R909153075	THREADED PIN	1 ST	
5	R909154041	THREADED PIN	1 ST	
6	R909153975	THREADED PIN	1 ST	
7	R909154212	THREADED PIN	1 ST	