

Spare parts list

Product Unit

Axial Piston Units

Part No.: R909610402

Designation: A7VO160LR/63R-NZB01

Drawing no.: R909723216

Pos.	Part No.	Designation	Quantity	
1	R909610133	ROTARY GROUP	1 ST	L
2	R909610281	CONTROL	1 ST	L
3	R909650455	CONTROL LENS, RIGHT-HAND ROT.	1 ST	
5	R909651262	HOUSING	1 ST	
8	R909151694	LOCKING SCREW	1 ST	D
9	R909083416	RETAINING RING	1 ST	
10	R909831663	SHAFT SEAL RING	1 ST	D
11	R909832084	BACK-UP PLATE	1 ST	D
12	R909087781	O-RING	1 ST	D
13	R909153891	LOCKING SCREW	2 ST	D
17	R909447152	THREADED PIN	2 ST	L
18	R909152459	SEAL LOCK NUT	2 ST	D
98	R902002312	SEAL KIT,COMPLETE	1 ST	

Safety Notes:

Service – and repair works have to be carried out by the Bosch Rexroth AG or their repair stations only. We do not grant any warranty for defects due to assembly, maintenance or repair not effected by the Bosch Rexroth AG or their repair stations.

L = Assembly group D = Sealing element

Status of version: 7/2005

Page: 1

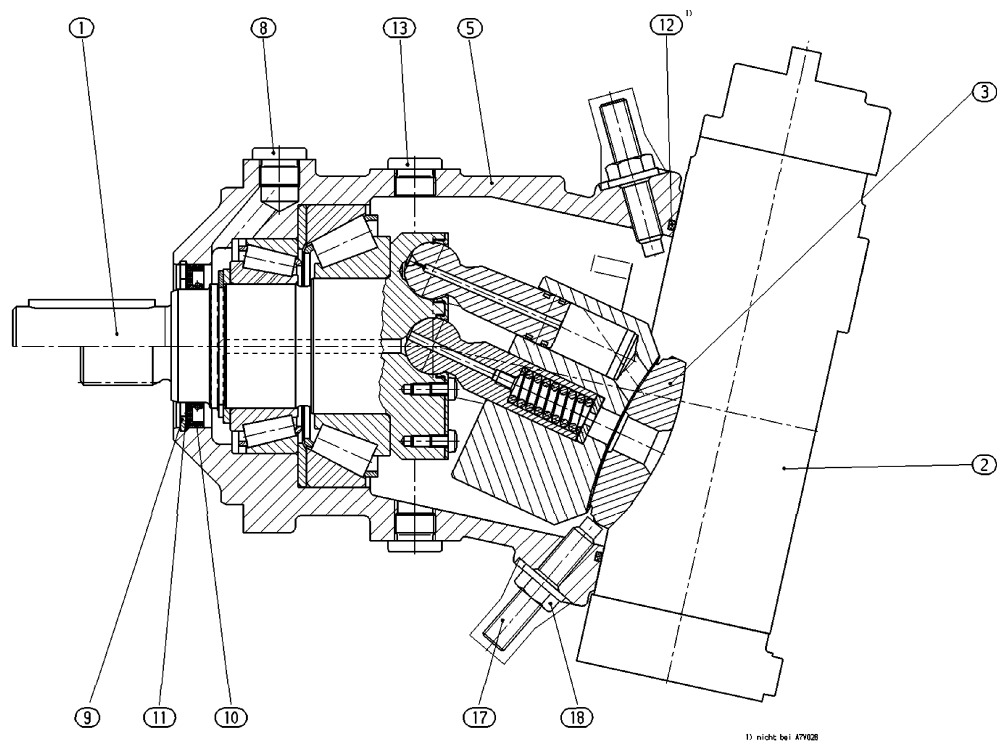
Date: 21.09.2005

Spare parts list

Part No.: R909610402
Designation: A7VO160LR/63R-NZB01

Product Unit
Axial Piston Units

Drawing no.: R909723216



Spare parts listProduct Unit
Axial Piston UnitsPart No.: R909610133
Designation: ROTARY GROUP

Drawing no.: R909700448

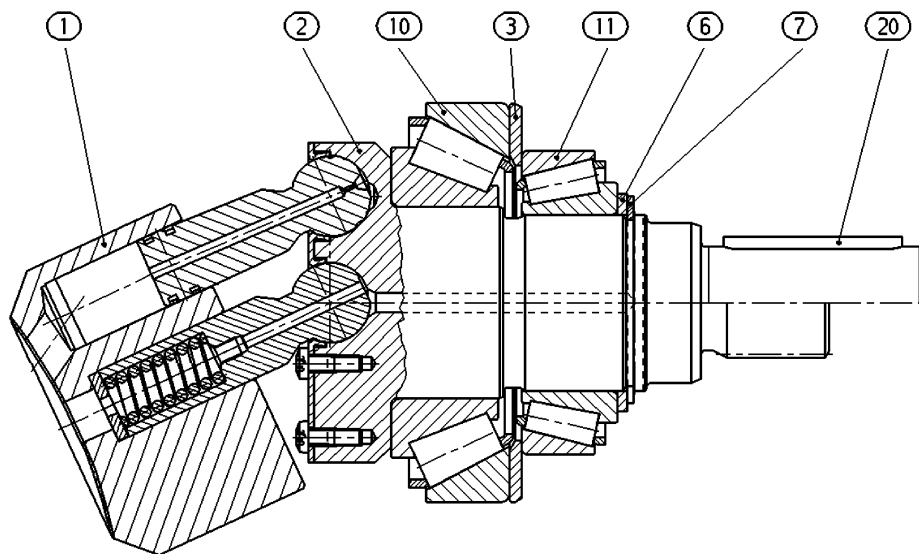
Pos.	Part No.	Designation	Quantity	
1	R909610144	ROTARY GROUP, HYDR. SECTION	1 ST	L
2	R909921597	DRIVE SHAFT	1 ST	
3	R909651524	SHIM	1 ST	
6	R909921589	BACK-UP PLATE	1 ST	
6	R909921590	BACK-UP PLATE	1 ST	
6	R909921591	BACK-UP PLATE	1 ST	
6	R909650815	BACK-UP PLATE	1 ST	
6	R909921592	BACK-UP PLATE	1 ST	
6	R909921593	BACK-UP PLATE	1 ST	
6	R909921594	BACK-UP PLATE	1 ST	
6	R909921595	BACK-UP PLATE	1 ST	
6	R909921596	BACK-UP PLATE	1 ST	
7	R909083369	RETAINING RING	1 ST	
10	R909154687	TAPERED-ROLLER BEARING	1 ST	
11	R909154688	TAPERED-ROLLER BEARING	1 ST	

Spare parts list

Part No.: R909610133
Designation: ROTARY GROUP

Product Unit
Axial Piston Units

Drawing no.: R909700448



Spare parts list

Product Unit

Axial Piston Units

Part No.: R909610144

Designation: ROTARY GROUP, HYDR. SECTION

Drawing no.: R909700453

Pos.	Part No.	Designation	Quantity	
1	R909436058	CYLINDER	1 ST	
3	R909921576	CENTER PIN	1 ST	
4	R902021911	PISTON WITH PISTON RINGS	7 ST	L
6	R909921578	ADJUSTMENT SHIM	1 ST	
6	R909921579	ADJUSTMENT SHIM	1 ST	
6	R909921577	ADJUSTMENT SHIM	1 ST	
6	R909921580	ADJUSTMENT SHIM	1 ST	
6	R909921581	ADJUSTMENT SHIM	1 ST	
6	R909921582	ADJUSTMENT SHIM	1 ST	
7	R909921583	PRESSURE SPRING	1 ST	
11	R909062969	RETAINING PLATE	1 ST	
12	R902602395	PAN HEAD SCREW W. TORX	14 ST	

Spare parts list

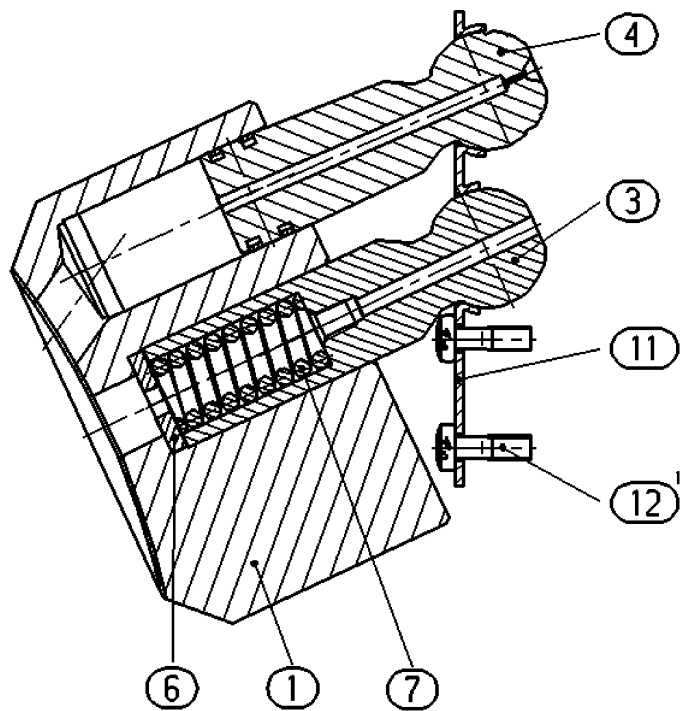
Part No.: R909610144

Designation: ROTARY GROUP, HYDR. SECTION

Product Unit

Axial Piston Units

Drawing no.: R909700453



1) N02.119 beachten

Spare parts list

Product Unit
Axial Piston Units

Part No.: R902021911
Designation: PISTON WITH PISTON RINGS

Drawing no.: R902021890

Pos.	Part No.	Designation	Quantity
1	R909440274	PISTON	1 ST
2	R909831897	STEEL SEALING RING	2 ST

Spare parts list

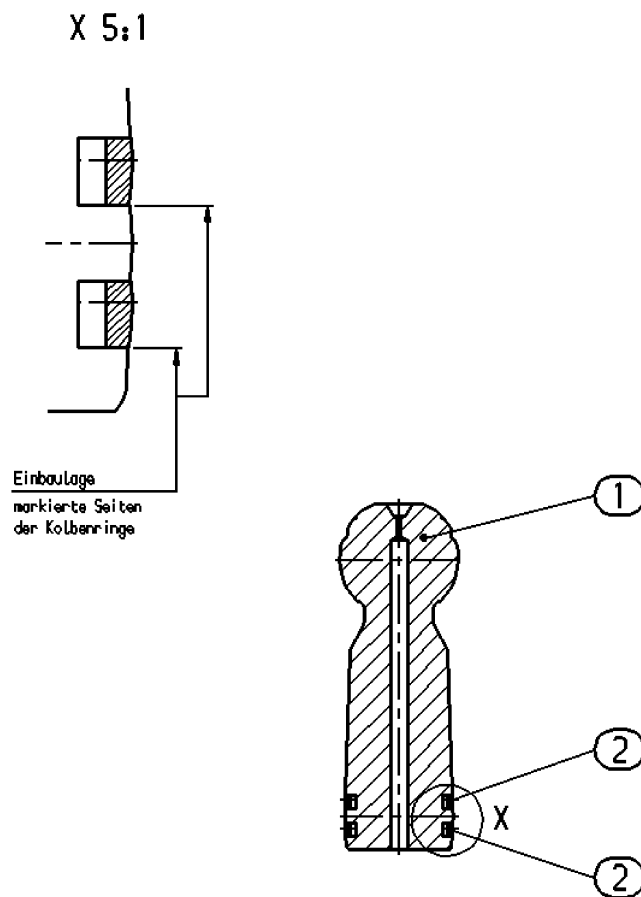
Part No.: R902021911

Designation: PISTON WITH PISTON RINGS

Product Unit

Axial Piston Units

Drawing no.: R902021890



Spare parts list

Product Unit
Axial Piston Units

Part No.: R909610281
Designation: CONTROL

Drawing no.: R909729426

Pos.	Part No.	Designation	Quantity	
1	R909427195	GUIDE COVER	1 ST	L
2	R909610052	COVER	1 ST	L
3	R909438073	CONTROL PART	1 ST	L
4	R909438074	ADJUSTING PART	1 ST	L
7	R909651206	PORT PLATE, RIGHT-HAND ROTAT.	1 ST	
9	R909651607	POSITIONING PISTON	1 ST	
10	R909430145	SPRING COLLAR	1 ST	
11	R909426025	PRESSURE SPRING	1 ST	
12	R909430148	PISTON	1 ST	
13	R909430146	SOCKET-HEAD SCREW	1 ST	
14	R909425485	POSITIONING TRUNNION	1 ST	
15	R909430147	SEAL RING	1 ST	
16	R909449056	THREADED PIN	1 ST	
17	R909427509	LEVER	1 ST	
18	R909414913	BEARING BOLT	1 ST	
19	R909412689	BEARING BUSHING	1 ST	
20	R909426934	SETTING BUSH	1 ST	
21	R909426935	MEASURING PISTON	1 ST	
22	R909411231	BOLT	1 ST	
23	R909430287	PIN	1 ST	
27	R909083219	LOCKING SCREW	1 ST	
30	R909156588	NEEDLE CROWN	1 ST	
31	R909087327	BALL BEARING	1 ST	D
32	R909153816	LOCKING SCREW	2 ST	D
33	R909154024	LOCKING SCREW	1 ST	D
34	R909151692	LOCKING SCREW	1 ST	D
35	R909086334	O-RING	1 ST	D
36	R909157785	BACK-UP RING	1 ST	D
37	R909156647	SQUARE RING	1 ST	D
38	R909157786	TURCON-GLYD-RING	1 ST	D
39	R909152146	O-RING	1 ST	D
40	R909085810	RETAINING DISC	2 ST	
41	R909083142	SOCKET-HEAD SCREW	6 ST	D
43	R909084542	CYLINDER PIN	2 ST	
44	R909831319	DOUBLE BREAK-OFF PIN	8 ST	D
48	R909083749	O-RING	1 ST	D

L = Assembly group D = Sealing element

Status of version: 7/2005

Page: 9

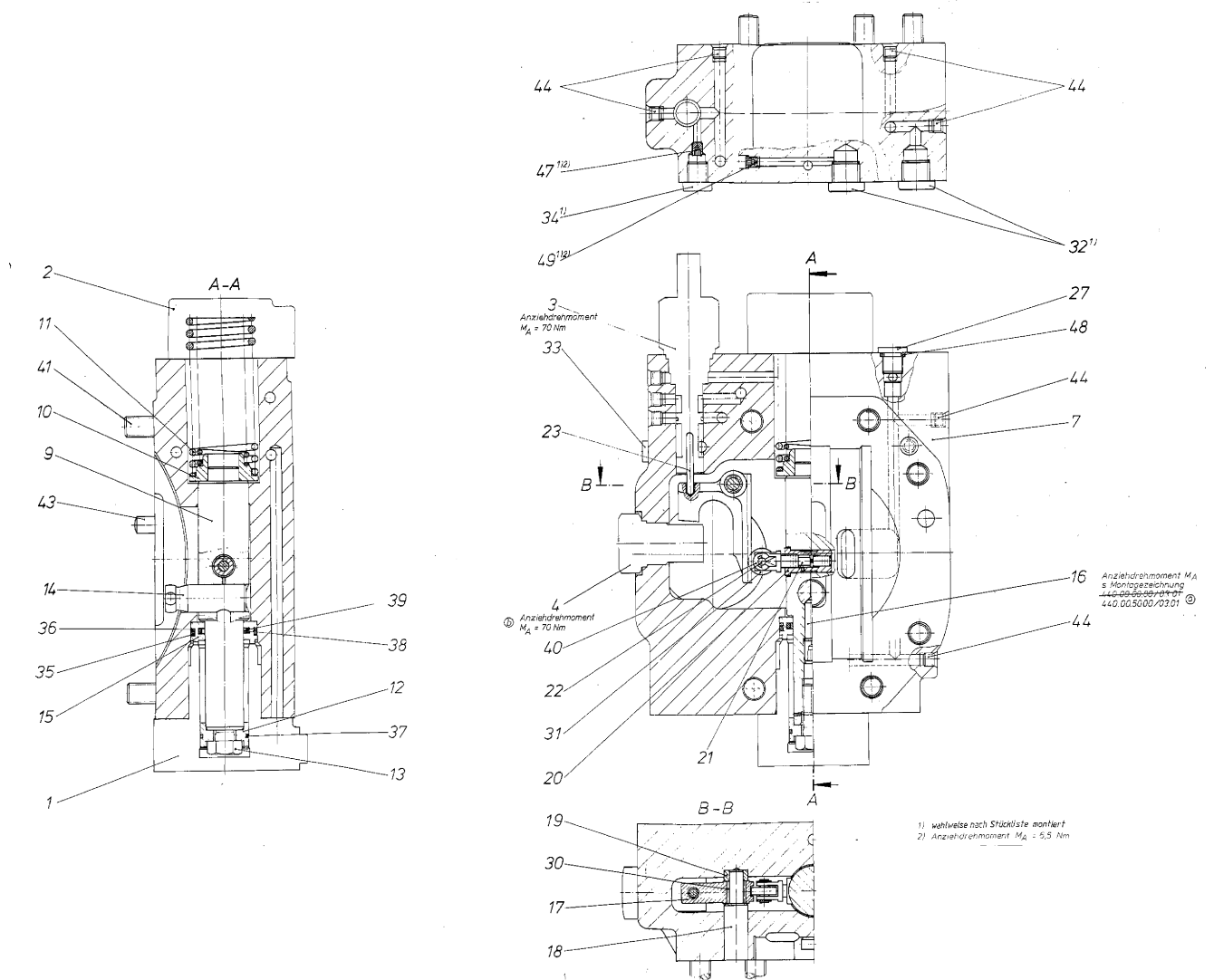
Date: 21.09.2005

Spare parts list

Part No.: R909610281
Designation: CONTROL

Product Unit
Axial Piston Units

Drawing no.: R909729426



Spare parts list

Product Unit

Axial Piston Units

Part No.: R909427195
Designation: GUIDE COVER

Drawing no.: R909731894

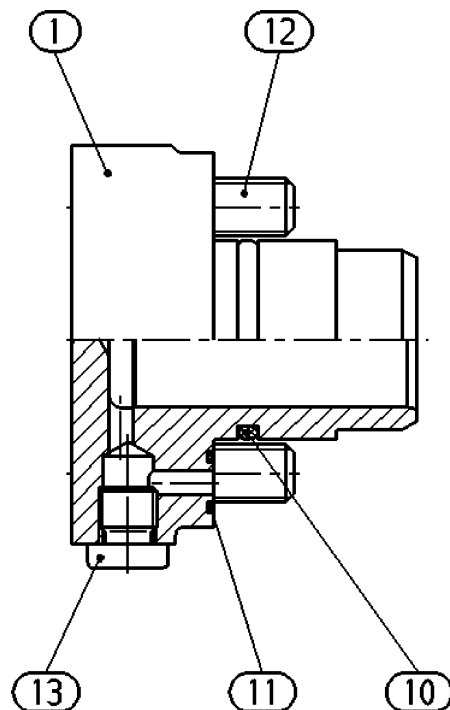
Pos.	Part No.	Designation	Quantity	
1	R909439023	GUIDE COVER	1 ST	
10	R909086553	O-RING	1 ST	D
11	R909086333	O-RING	1 ST	D
12	R909083128	SOCKET-HEAD SCREW	4 ST	
13	R909151692	LOCKING SCREW	1 ST	D

Spare parts list

Part No.: R909427195
Designation: GUIDE COVER

Product Unit
Axial Piston Units

Drawing no.: R909731894



Spare parts list

Product Unit

Axial Piston Units

Part No.: R909610052

Designation: COVER

Drawing no.: R909731892

Pos.	Part No.	Designation	Quantity	
1	R909651176	COVER	1 ST	
2	R909426540	PRESSURE SPRING	1 ST	
5	R909083040	SOCKET-HEAD SCREW	4 ST	D
6	R909086378	O-RING	1 ST	D
7	R909086332	O-RING	2 ST	D
8	R909831318	DOUBLE BREAK-OFF PIN	1 ST	

Spare parts list

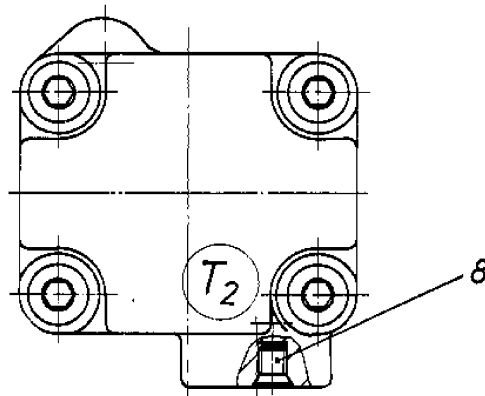
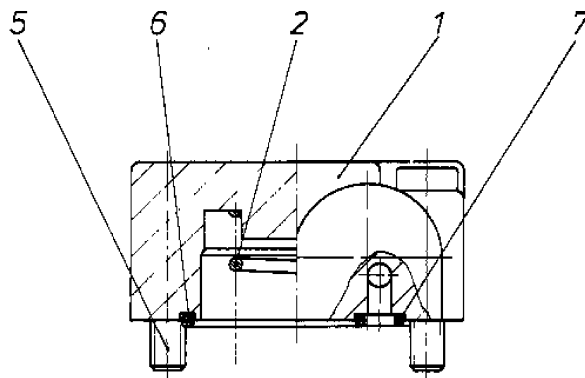
Part No.: R909610052

Designation: COVER

Product Unit

Axial Piston Units

Drawing no.: R909731892



Spare parts listProduct Unit
Axial Piston UnitsPart No.: R909438073
Designation: CONTROL PART

Drawing no.: R909729506

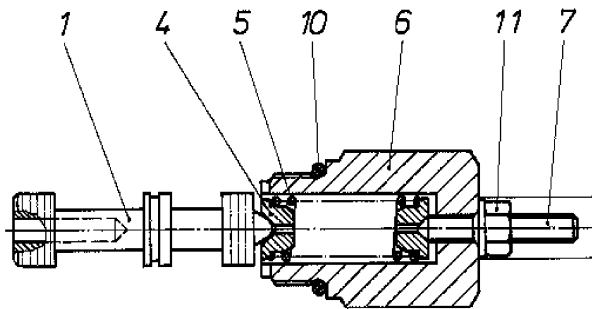
Pos.	Part No.	Designation	Quantity	
1	R909426288	CONTROL PISTON	1 ST	
4	R909413038	SPRING COLLAR	2 ST	
5	R909439288	PRESSURE SPRING	1 ST	
6	R909439275	LOCKING SCREW	1 ST	
7	R909425219	THREADED PIN	1 ST	
10	R909086517	O-RING	1 ST	D
11	R909152425	SEAL LOCK NUT	1 ST	D

Spare parts list

Part No.: R909438073
Designation: CONTROL PART

Product Unit
Axial Piston Units

Drawing no.: R909729506



Spare parts list

Product Unit
Axial Piston Units

Part No.: R909438074
Designation: ADJUSTING PART

Drawing no.: R909732422

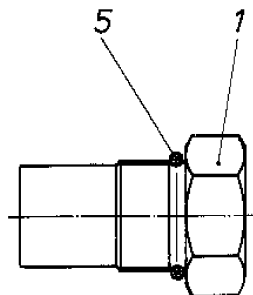
Pos.	Part No.	Designation	Quantity	
1	R909439276	LOCKING SCREW	1 ST	
5	R909086517	O-RING	1 ST	D

Spare parts list

Part No.: R909438074
Designation: ADJUSTING PART

Product Unit
Axial Piston Units

Drawing no.: R909732422



Spare parts list

Product Unit

Axial Piston Units

Part No.: R909447152

Designation: THREADED PIN

Pos.	Part No.	Designation	Quantity	
1	R909086120	THREADED PIN	1 ST	
2	R909083530	THREADED PIN	1 ST	
3	R909085976	THREADED PIN	1 ST	
4	R909153075	THREADED PIN	1 ST	
5	R909154041	THREADED PIN	1 ST	
6	R909153975	THREADED PIN	1 ST	
7	R909154212	THREADED PIN	1 ST	
8	R909831163	THREADED PIN	1 ST	
9	R909831200	THREADED PIN	1 ST	
10	R909832088	THREADED PIN	1 ST	
20	R909153930	LOCKING SCREW	1 ST	
21	R909156864	LOCKING SCREW	1 ST	D
22	R909156651	LOCKING SCREW	1 ST	D
23	R909156654	LOCKING SCREW	1 ST	D
24	R909156989	LOCKING SCREW	1 ST	D
30	R909157039	LOCKING SCREW	1 ST	D
31	R909157618	LOCKING SCREW	1 ST	D
32	R909157038	LOCKING SCREW	1 ST	D
33	R909831665	LOCKING SCREW	1 ST	D