

Spare parts listProduct Unit
Axial Piston Units

Part No.: R909412376

Designation: A8VO80SR/60R1-PZG05F00

G

Drawing no.: R909722649

| Pos. | Part No. | Designation | Quantity | |
|------|------------|--------------------|----------|---|
| 1 | R902018389 | CONTROL | 1 ST | L |
| 2 | R909411235 | ROTARY GROUP | 1 ST | L |
| 3 | R909411234 | ROTARY GROUP | 1 ST | L |
| 4 | R909412214 | INTERNAL GEAR PUMP | 1 ST | L |
| 5 | R909430595 | PUMP HOUSING | 1 ST | |
| 6 | R909410980 | COVER | 1 ST | D |
| 7 | R909425596 | GEAR | 1 ST | |
| 8 | R909422705 | STUB SHAFT | 1 ST | |
| 20 | R909083417 | RETAINING RING | 1 ST | |
| 21 | R909831232 | SHAFT SEAL RING | 1 ST | D |
| 22 | R909086948 | O-RING | 1 ST | D |
| 23 | R909153364 | LOCKING SCREW | 1 ST | D |
| 24 | R909151979 | LOCKING SCREW | 3 ST | D |
| 25 | R909085444 | BALL BEARING | 2 ST | |
| 26 | R909083980 | SHAFT KEY | 1 ST | |

Safety Notes:

Service – and repair works have to be carried out by the Bosch Rexroth AG or their repair stations only. We do not grant any warranty for defects due to assembly, maintenance or repair not effected by the Bosch Rexroth AG or their repair stations.

Spare parts list

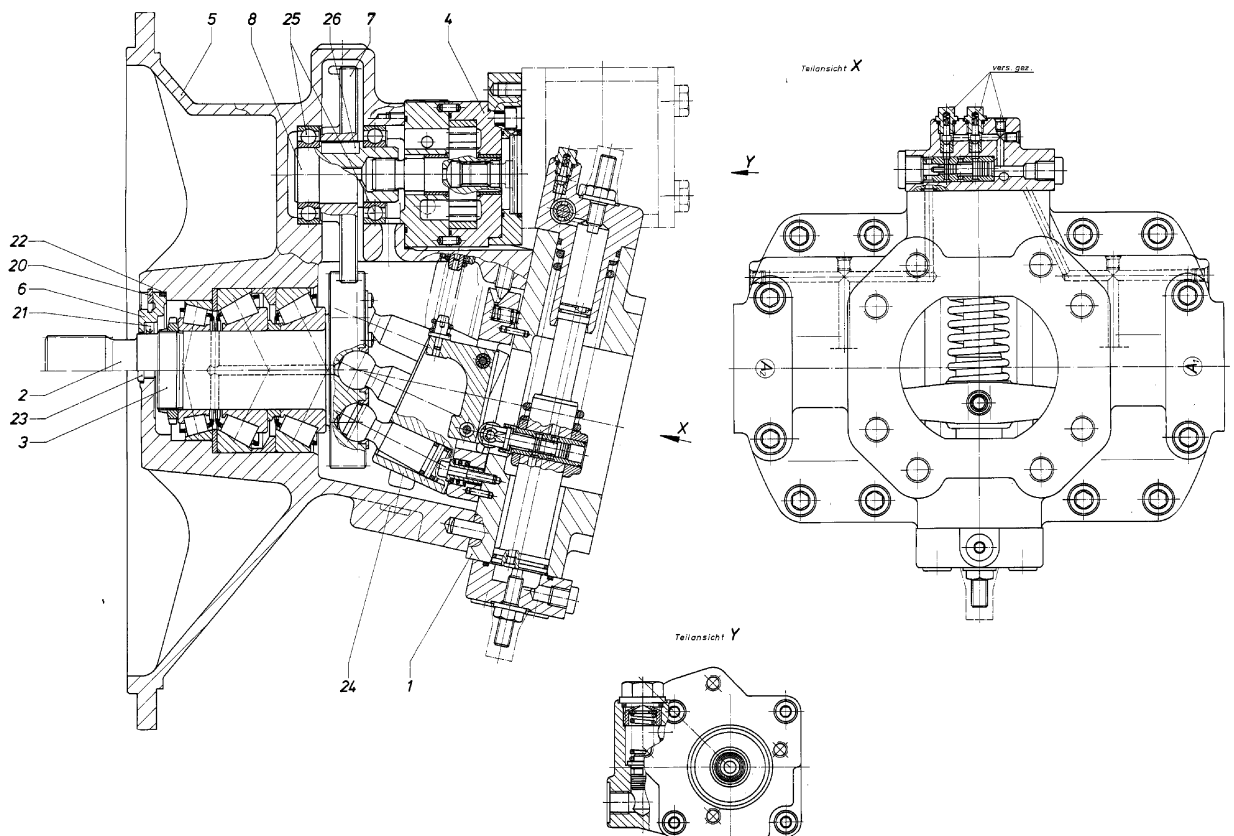
Product Unit
Axial Piston Units

Part No.: R909412376

Designation: A8VO80SR/60R1-PZG05F00

G

Drawing no.: R909722649



Spare parts list

Product Unit
Axial Piston Units

Part No.: R902018389
Designation: CONTROL

Drawing no.: R902018334

| Pos. | Part No. | Designation | Quantity | |
|------|------------|---------------------------|----------|---|
| 1 | R909420432 | PRESSURE REGULATING VALVE | 1 ST | L |
| 2 | R909420418 | COVER | 1 ST | L |
| 5 | R909419293 | CONTROL HOUSING | 1 ST | |
| 6 | R909412864 | POSITIONING PISTON | 1 ST | |
| 7 | R909415118 | SWIVEL FORK | 1 ST | |
| 8 | R909412866 | CONTROL BUSH | 1 ST | |
| 9 | R909412867 | CONTROL PISTON | 1 ST | |
| 10 | R902004382 | BRACKET | 1 ST | |
| 11 | R909073211 | PRESSURE SPRING | 1 ST | |
| 12 | R909418581 | BACK-UP BUSHING | 1 ST | |
| 13 | R909418577 | PRESSURE SPRING | 1 ST | |
| 15 | R909410887 | SPRING COLLAR | 1 ST | |
| 16 | R909419231 | PRESSURE SPRING | 1 ST | |
| 17 | R909410891 | SPRING COLLAR | 1 ST | |
| 18 | R909430548 | LOCKING SCREW | 1 ST | |
| 19 | R909430547 | THREADED PIN | 1 ST | |
| 20 | R909415924 | BOLT | 2 ST | |
| 21 | R909411212 | BOLT | 1 ST | |
| 22 | R909419629 | CONTROL LEVER | 1 ST | |
| 23 | R909412369 | THREADED PIN | 1 ST | |
| 24 | R909410885 | PRESSURE SPRING | 1 ST | |
| 25 | R909650391 | GASKET | 1 ST | D |
| 30 | R909152426 | SEAL LOCK NUT | 1 ST | D |
| 31 | R909157764 | SEAL LOCK NUT | 1 ST | D |
| 32 | R909085810 | RETAINING DISC | 6 ST | |
| 33 | R909084186 | CYLINDER PIN | 2 ST | |
| 34 | R909084141 | CYLINDER PIN | 2 ST | |
| 35 | R909083758 | O-RING | 1 ST | D |
| 36 | R909087327 | BALL BEARING | 1 ST | D |
| 37 | R909156271 | NEEDLE CROWN | 1 ST | |
| 38 | R909083100 | SOCKET-HEAD SCREW | 4 ST | |
| 39 | R909083087 | SOCKET-HEAD SCREW | 8 ST | |
| 40 | R909156647 | SQUARE RING | 1 ST | D |
| 41 | R909153873 | SQUARE RING | 1 ST | D |
| 42 | R909083024 | SOCKET-HEAD SCREW | 1 ST | |
| 43 | R909831319 | DOUBLE BREAK-OFF PIN | 2 ST | D |

L = Assembly group D = Sealing element

Status of version: 3/2006

Page: 3

Date: 27.06.2006

Spare parts list

Part No.: R902018389
Designation: CONTROL

Product Unit
Axial Piston Units

Drawing no.: R902018334

45 R909607176 ORIFICE

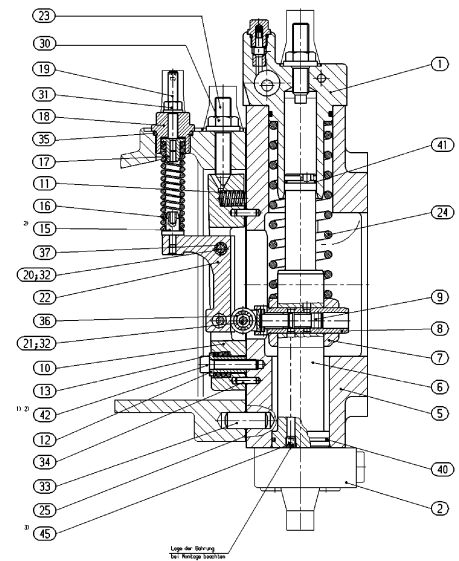
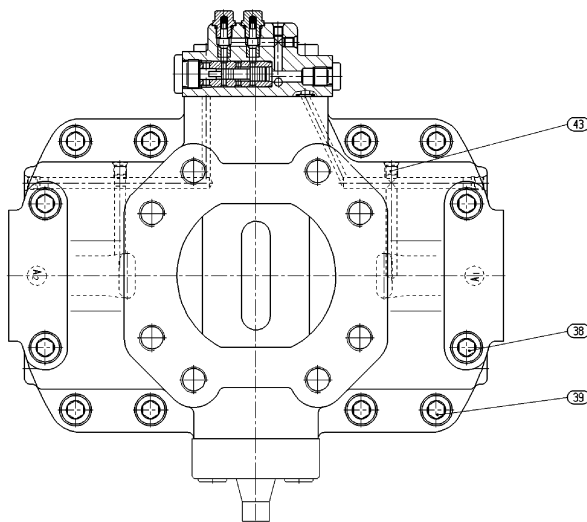
1 ST LD

Spare parts list

Part No.: R902018389
Designation: CONTROL

Product Unit
Axial Piston Units

Drawing no.: R902018334



D = Gehäuse nach ISO4131 / Anfring montiert
D = mit O-RING 200 gesichert
D = Auslieferungszustand, PN = 100a

Spare parts listProduct Unit
Axial Piston UnitsPart No.: R909420432
Designation: PRESSURE REGULATING VALVE

Drawing no.: R909731291

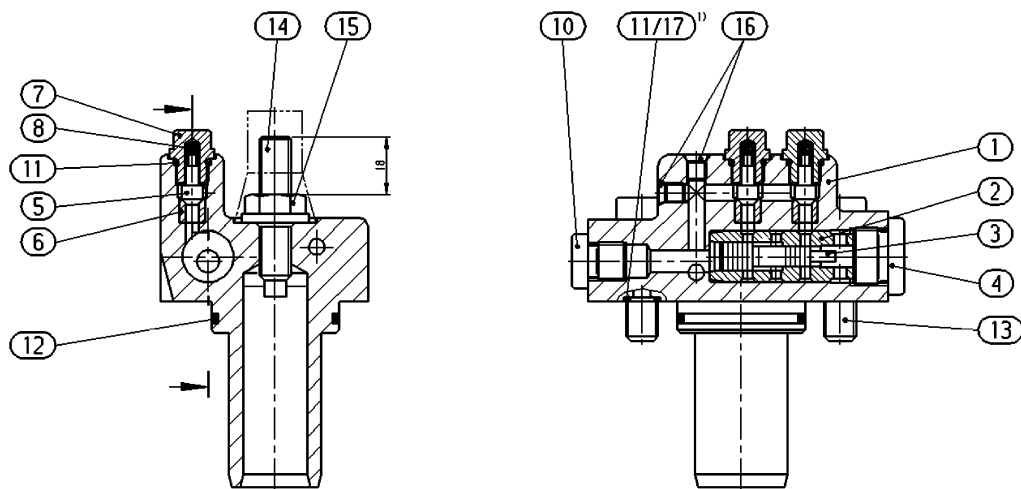
| Pos. | Part No. | Designation | Quantity | |
|------|------------|--------------------------------|----------|---|
| 1 | R909412364 | PRESS. AVERAGING VALVE HOUSING | 1 ST | |
| 2 | R909412333 | CONTROL BUSH | 1 ST | |
| 3 | R909412334 | CONTROL PISTON | 1 ST | |
| 4 | R909412335 | LOCKING SCREW | 1 ST | |
| 5 | R909415579 | VALVE POPPET | 2 ST | |
| 6 | R909415815 | BUSH | 2 ST | |
| 7 | R909415580 | LOCKING SCREW | 2 ST | |
| 8 | R909060519 | PRESSURE SPRING | 2 ST | |
| 10 | R909151692 | LOCKING SCREW | 1 ST | D |
| 11 | R909086498 | O-RING | 4 ST | D |
| 12 | R909083769 | O-RING | 1 ST | D |
| 13 | R909083063 | SOCKET-HEAD SCREW | 2 ST | |
| 14 | R909086752 | THREADED PIN | 1 ST | |
| 15 | R909152426 | SEAL LOCK NUT | 1 ST | D |
| 16 | R909831318 | DOUBLE BREAK-OFF PIN | 3 ST | D |

Spare parts list

Part No.: R909420432
Designation: PRESSURE REGULATING VALVE

Product Unit
Axial Piston Units

Drawing no.: R909731291



1) nur bei Steckl. 536.06.02.02

Spare parts list

Product Unit

Axial Piston Units

Part No.: R909420418

Designation: COVER

Drawing no.: R909731931

| Pos. | Part No. | Designation | Quantity | |
|------|------------|-------------------|----------|---|
| 1 | R909410907 | COVER | 1 ST | |
| 3 | R909085545 | O-RING | 1 ST | D |
| 4 | R909083087 | SOCKET-HEAD SCREW | 4 ST | |
| 5 | R909152426 | SEAL LOCK NUT | 1 ST | D |
| 6 | R909447150 | THREADED PIN | 1 ST | L |
| 7 | R909151979 | LOCKING SCREW | 1 ST | D |

Spare parts list

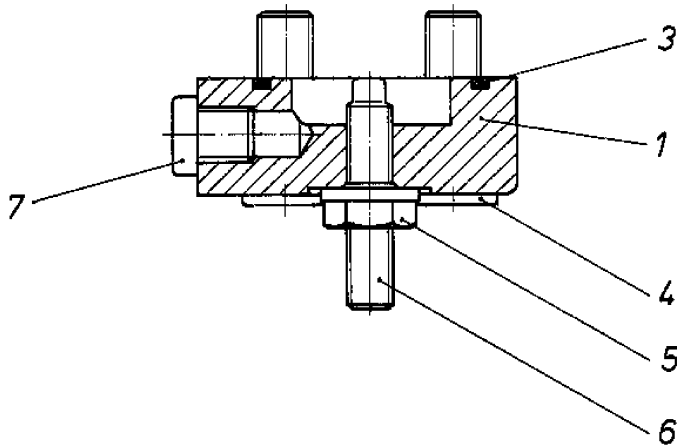
Part No.: R909420418

Designation: COVER

Product Unit

Axial Piston Units

Drawing no.: R909731931



Spare parts list

Product Unit

Axial Piston Units

Part No.: R909447150

Designation: THREADED PIN

| Pos. | Part No. | Designation | Quantity |
|------|------------|--------------|----------|
| 1 | R909086752 | THREADED PIN | 1 ST |
| 2 | R909154690 | THREADED PIN | 1 ST |
| 3 | R909153779 | THREADED PIN | 1 ST |
| 4 | R909154058 | THREADED PIN | 1 ST |
| 5 | R909156717 | THREADED PIN | 1 ST |
| 6 | R909157215 | THREADED PIN | 1 ST |
| 7 | R909831094 | THREADED PIN | 1 ST |

Spare parts list

Product Unit

Axial Piston Units

Part No.: R909607176

Designation: ORIFICE

| Pos. | Part No. | Designation | Quantity | |
|------|------------|-------------|----------|---|
| 1 | R909156493 | ORIFICE | 1 ST | D |
| 3 | R909156494 | ORIFICE | 1 ST | D |
| 5 | R909156495 | ORIFICE | 1 ST | |
| 6 | R909832017 | ORIFICE | 1 ST | D |
| 7 | R909156496 | ORIFICE | 1 ST | |
| 9 | R909156497 | ORIFICE | 1 ST | |
| 11 | R909157343 | ORIFICE | 1 ST | D |
| 12 | R909157344 | ORIFICE | 1 ST | |
| 13 | R909157345 | ORIFICE | 1 ST | D |
| 14 | R902601138 | ORIFICE | 1 ST | D |
| 15 | R902601028 | ORIFICE | 1 ST | |

Spare parts list

Product Unit

Axial Piston Units

Part No.: R909411235

Designation: ROTARY GROUP

Drawing no.: R909700434

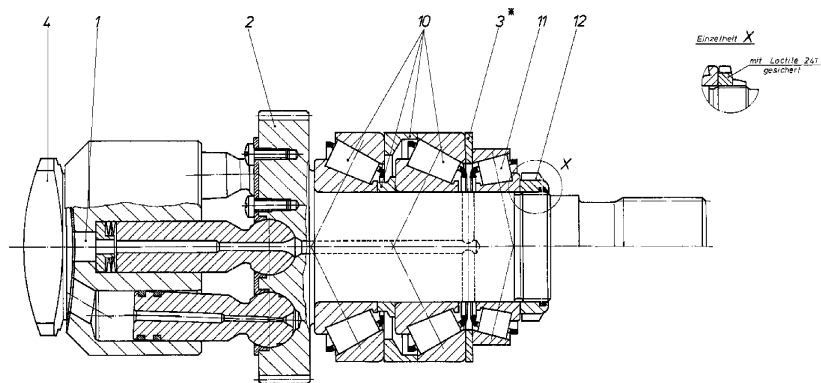
| Pos. | Part No. | Designation | Quantity | |
|------|------------|-------------------------------|----------|---|
| 1 | R909410209 | ROTARY GROUP, HYDR. SECTION | 1 ST | L |
| 2 | R909425758 | PINION GEAR | 1 ST | |
| 3 | R909651577 | SHIM | 1 ST | |
| 3 | R909651578 | SHIM | 1 ST | |
| 3 | R909651576 | SHIM | 1 ST | |
| 3 | R909651579 | SHIM | 1 ST | |
| 3 | R909651580 | SHIM | 1 ST | |
| 4 | R909650451 | CONTROL LENS, RIGHT-HAND ROT. | 1 ST | |
| 10 | R909154483 | TAPERED-ROLLER BEARING UNIT | 1 ST | |
| 11 | R909151101 | TAPERED-ROLLER BEARING | 1 ST | |
| 12 | R909156019 | RING NUT | 1 ST | |

Spare parts list

Part No.: R909411235
Designation: ROTARY GROUP

Product Unit
Axial Piston Units

Drawing no.: R909700434



Spare parts list

Product Unit

Axial Piston Units

Part No.: R909410209

Designation: ROTARY GROUP, HYDR. SECTION

Drawing no.: R909700433

| Pos. | Part No. | Designation | Quantity | |
|------|------------|--------------------------|----------|---|
| 1 | R902006884 | CYLINDER | 1 ST | |
| 3 | R909408762 | CENTER PIN | 1 ST | |
| 4 | R902021909 | PISTON WITH PISTON RINGS | 7 ST | L |
| 6 | R909412412 | SPRING COLLAR | 1 ST | |
| 6 | R909412413 | SPRING COLLAR | 1 ST | |
| 6 | R902043503 | SPRING COLLAR | 1 ST | |
| 6 | R909412414 | SPRING COLLAR | 1 ST | |
| 6 | R909412415 | SPRING COLLAR | 1 ST | |
| 6 | R909412416 | SPRING COLLAR | 1 ST | |
| 6 | R909412417 | SPRING COLLAR | 1 ST | |
| 7 | R909408894 | CUP SPRING | 4 ST | |
| 11 | R909062847 | RETAINING PLATE | 1 ST | |
| 12 | R902602493 | SCREW (COUNTERSUNK) | 14 ST | |

Spare parts list

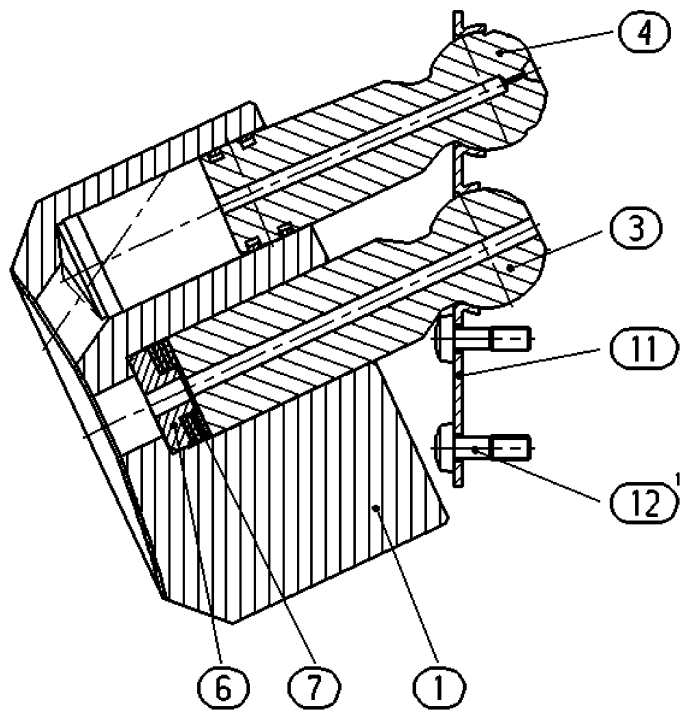
Part No.: R909410209

Designation: ROTARY GROUP, HYDR. SECTION

Product Unit

Axial Piston Units

Drawing no.: R909700433



1) N02.119 beachten

Spare parts list

Product Unit
Axial Piston Units

Part No.: R902021909
Designation: PISTON WITH PISTON RINGS

Drawing no.: R902021890

| Pos. | Part No. | Designation | Quantity |
|------|------------|--------------------|----------|
| 1 | R909443339 | PISTON | 1 ST |
| 2 | R909831893 | STEEL SEALING RING | 2 ST |

Spare parts list

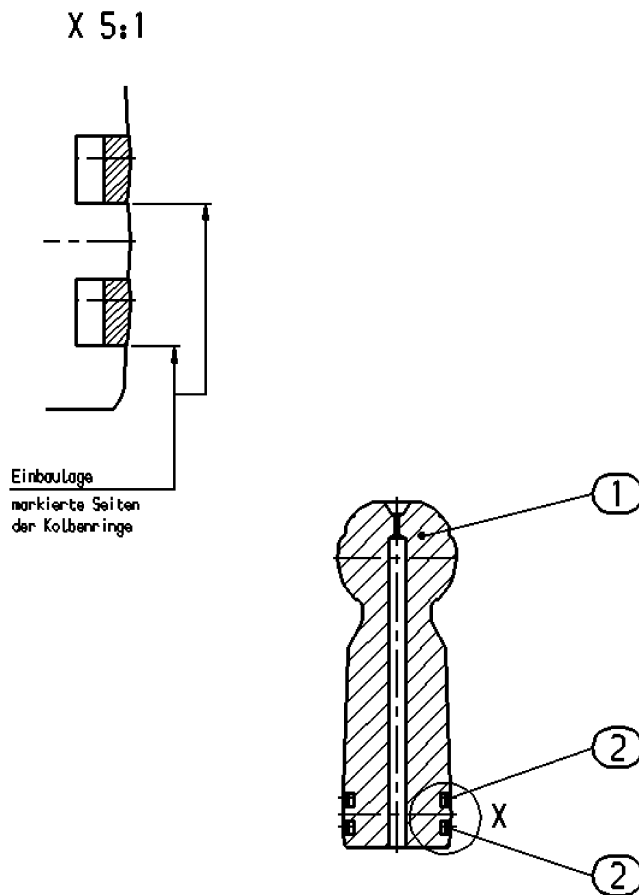
Part No.: R902021909

Designation: PISTON WITH PISTON RINGS

Product Unit

Axial Piston Units

Drawing no.: R902021890



Spare parts listProduct Unit
Axial Piston UnitsPart No.: R909411234
Designation: ROTARY GROUP

Drawing no.: R909700434

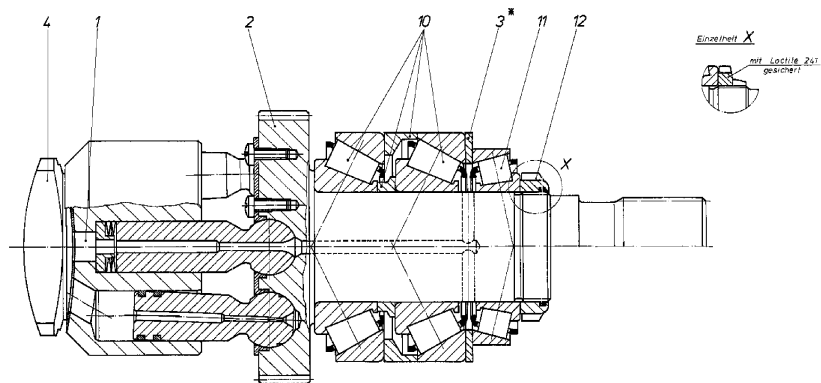
| Pos. | Part No. | Designation | Quantity | |
|------|------------|-----------------------------|----------|---|
| 1 | R909410209 | ROTARY GROUP, HYDR. SECTION | 1 ST | L |
| 2 | R909425759 | DRIVE SHAFT | 1 ST | |
| 3 | R909651577 | SHIM | 1 ST | |
| 3 | R909651578 | SHIM | 1 ST | |
| 3 | R909651576 | SHIM | 1 ST | |
| 3 | R909651579 | SHIM | 1 ST | |
| 3 | R909651580 | SHIM | 1 ST | |
| 4 | R909650452 | CONTROL LENS, LEFT-HAND | 1 ST | |
| 10 | R909154483 | TAPERED-ROLLER BEARING UNIT | 1 ST | |
| 11 | R909151101 | TAPERED-ROLLER BEARING | 1 ST | |
| 12 | R909156019 | RING NUT | 1 ST | |

Spare parts list

Part No.: R909411234
Designation: ROTARY GROUP

Product Unit
Axial Piston Units

Drawing no.: R909700434



Spare parts listProduct Unit
Axial Piston UnitsPart No.: R909410209
Designation: ROTARY GROUP, HYDR. SECTION

Drawing no.: R909700433

| Pos. | Part No. | Designation | Quantity | |
|------|------------|--------------------------|----------|---|
| 1 | R902006884 | CYLINDER | 1 ST | |
| 3 | R909408762 | CENTER PIN | 1 ST | |
| 4 | R902021909 | PISTON WITH PISTON RINGS | 7 ST | L |
| 6 | R909412412 | SPRING COLLAR | 1 ST | |
| 6 | R909412413 | SPRING COLLAR | 1 ST | |
| 6 | R902043503 | SPRING COLLAR | 1 ST | |
| 6 | R909412414 | SPRING COLLAR | 1 ST | |
| 6 | R909412415 | SPRING COLLAR | 1 ST | |
| 6 | R909412416 | SPRING COLLAR | 1 ST | |
| 6 | R909412417 | SPRING COLLAR | 1 ST | |
| 7 | R909408894 | CUP SPRING | 4 ST | |
| 11 | R909062847 | RETAINING PLATE | 1 ST | |
| 12 | R902602493 | SCREW (COUNTERSUNK) | 14 ST | |

Spare parts list

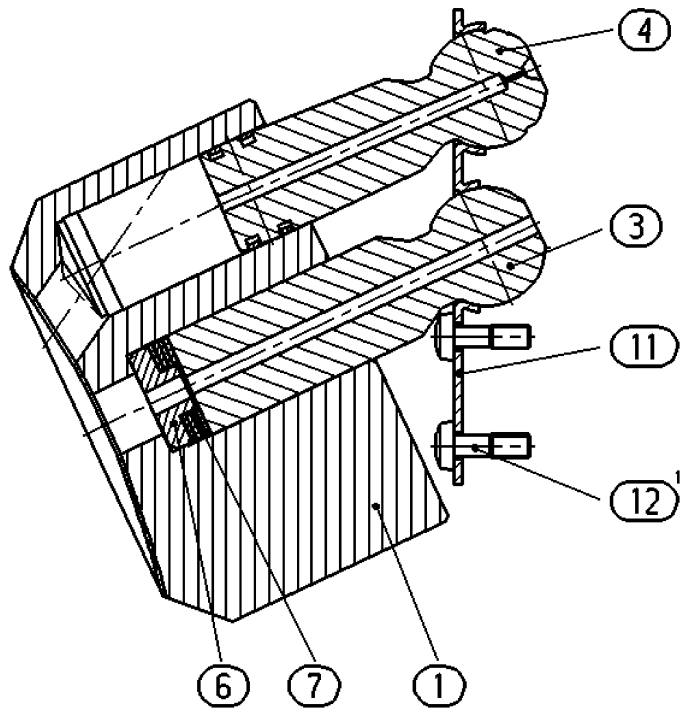
Part No.: R909410209

Designation: ROTARY GROUP, HYDR. SECTION

Product Unit

Axial Piston Units

Drawing no.: R909700433



1) N02.119 beachten

Spare parts list

Product Unit
Axial Piston Units

Part No.: R902021909
Designation: PISTON WITH PISTON RINGS

Drawing no.: R902021890

| Pos. | Part No. | Designation | Quantity |
|------|------------|--------------------|----------|
| 1 | R909443339 | PISTON | 1 ST |
| 2 | R909831893 | STEEL SEALING RING | 2 ST |

Spare parts list

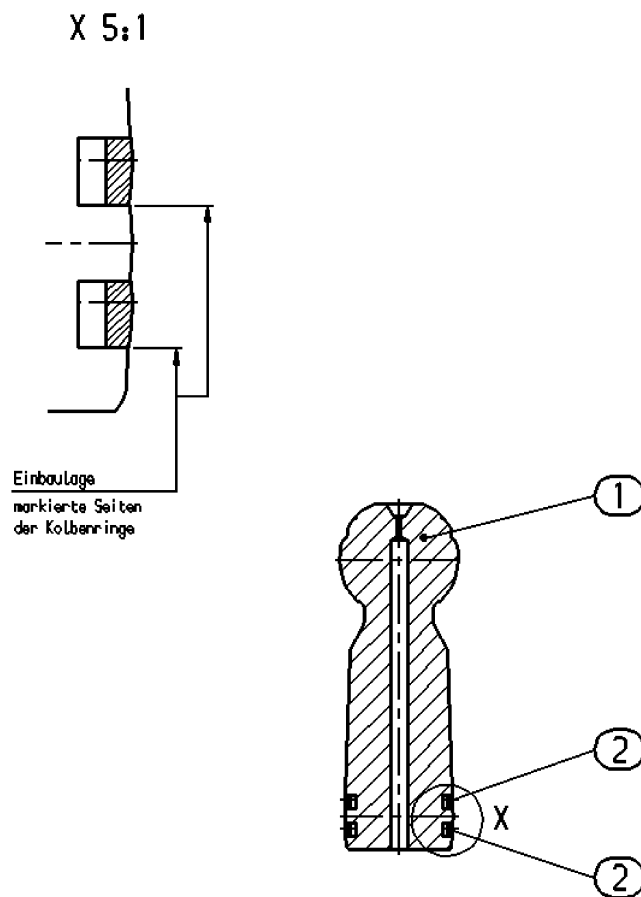
Part No.: R902021909

Designation: PISTON WITH PISTON RINGS

Product Unit

Axial Piston Units

Drawing no.: R902021890



Spare parts listProduct Unit
Axial Piston UnitsPart No.: R909412214
Designation: INTERNAL GEAR PUMP

Drawing no.: R909723565

| Pos. | Part No. | Designation | Quantity | |
|------|------------|----------------------|----------|---|
| 1 | R909403651 | PUMP COVER | 1 ST | L |
| 4 | R909412215 | SANDWICH PLATE | 1 ST | |
| 5 | R909069490 | BEARING BUSHING | 1 ST | |
| 6 | R909426804 | VALVE PISTON | 1 ST | |
| 7 | R909403718 | PRESSURE SPRING | 1 ST | |
| 8 | R909409509 | LOCKING SCREW | 1 ST | |
| 10 | R909084162 | CYLINDER PIN | 2 ST | |
| 11 | R909083748 | O-RING | 1 ST | D |
| 12 | R909083788 | O-RING | 1 ST | D |
| 14 | R909083048 | SOCKET-HEAD SCREW | 4 ST | |
| 15 | R909831320 | DOUBLE BREAK-OFF PIN | 1 ST | D |
| 16 | R909080515 | WASHER | 2 ST | |
| 17 | R909083760 | O-RING | 1 ST | D |

L = Assembly group D = Sealing element

Status of version: 3/2006

Page: 24

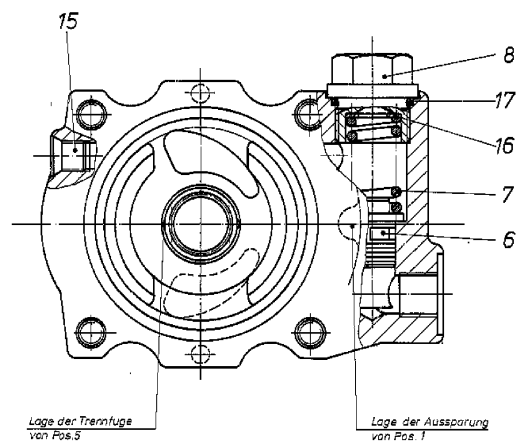
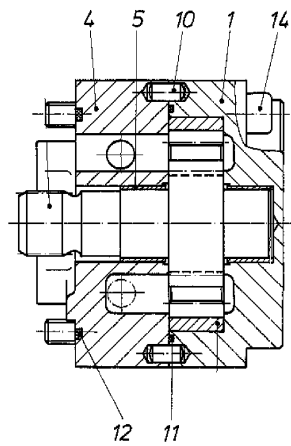
Date: 27.06.2006

Spare parts list

Part No.: R909412214
Designation: INTERNAL GEAR PUMP

Product Unit
Axial Piston Units

Drawing no.: R909723565



Spare parts list

Product Unit
Axial Piston Units

Part No.: R909403651
Designation: PUMP COVER

Drawing no.: R909723601

| Pos. | Part No. | Designation | Quantity |
|------|------------|-----------------|----------|
| 1 | R909080209 | PUMP COVER | 1 ST |
| 2 | R909445963 | ANNULAR GEARS | 1 ST |
| 3 | R909401674 | PINION SHAFT | 1 ST |
| 5 | R909069490 | BEARING BUSHING | 1 ST |

Spare parts list

Part No.: R909403651
Designation: PUMP COVER

Product Unit
Axial Piston Units

Drawing no.: R909723601

