

Spare parts list

Product Unit
Axial Piston Units

Part No.: R909610963

Designation: A8VO80SR3/60R1-NZG05K07

Drawing no.: R909722883

Pos.	Part No.	Designation	Quantity	
1	R909423525	VARIABLE DOUBLE PUMP	1 ST	L
2	R909423663	CONTROL	1 ST	L
3	R909428742	3-CIRCUIT CONTROL VALVE	1 ST	L
5	R909446557	FLANGE WITH ACCESSORIES	1 ST	L

Safety Notes:

Service – and repair works have to be carried out by the Bosch Rexroth AG or their repair stations only. We do not grant any warranty for defects due to assembly, maintenance or repair not effected by the Bosch Rexroth AG or their repair stations.

L = Assembly group D = Sealing element

Page: 1

Date: 18.06.2007

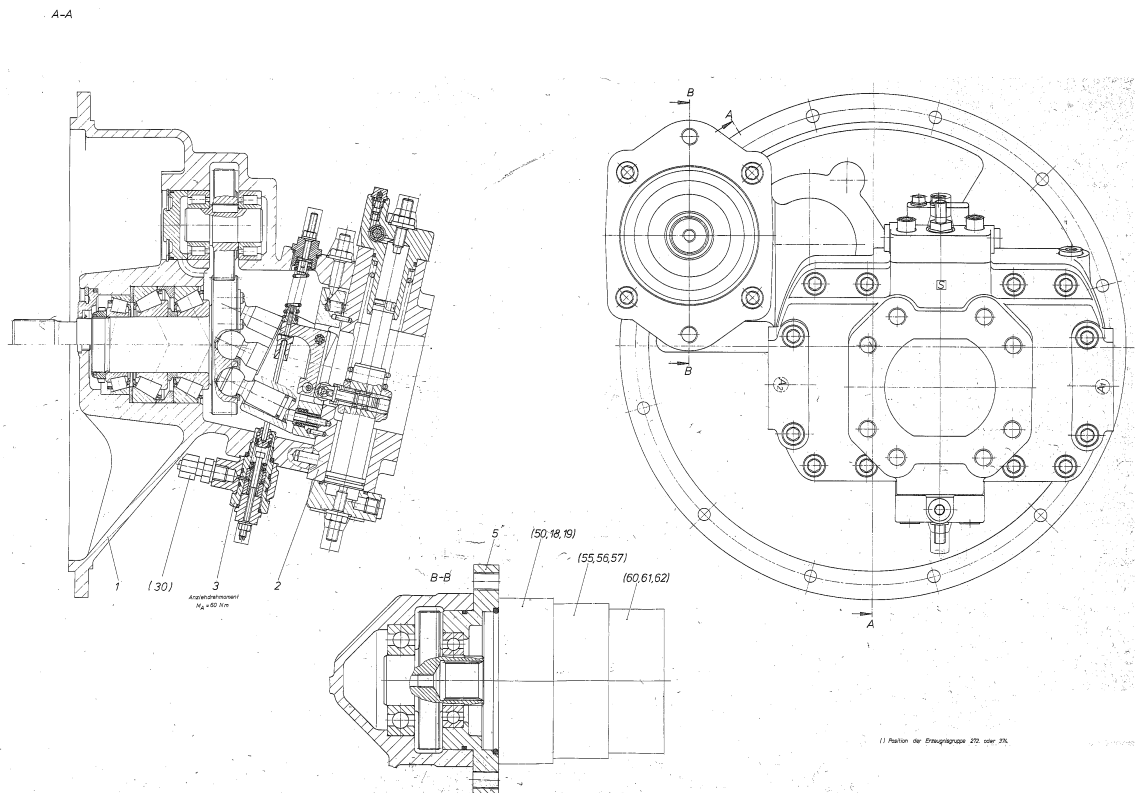
Spare parts list

Product Unit
Axial Piston Units

Part No.: R909610963

Designation: A8VO80SR3/60R1-NZG05K07

Drawing no.: R909722883



Spare parts list

Product Unit
Axial Piston Units

Part No.: R909423525

Designation: VARIABLE DOUBLE PUMP

Drawing no.: R909722665

Pos.	Part No.	Designation	Quantity	
2	R909411235	ROTARY GROUP	1 ST	L
3	R909411234	ROTARY GROUP	1 ST	L
5	R902075225	PUMP HOUSING	1 ST	
6	R909410980	COVER	1 ST	D
7	R902036642	GEAR	1 ST	
8	R909422707	STUB SHAFT	1 ST	
9	R909417513	COVER	1 ST	
20	R909083417	RETAINING RING	1 ST	
21	R909831232	SHAFT SEAL RING	1 ST	D
22	R909086948	O-RING	1 ST	D
23	R909153364	LOCKING SCREW	1 ST	D
24	R909151979	LOCKING SCREW	3 ST	D
25	R909157026	PLAIN ROLLER BEARING	2 ST	D
26	R909157352	SHAFT KEY	1 ST	
28	R909151810	O-RING	1 ST	D
29	R909084989	SHIM	1 ST	D
30	R909083408	RETAINING RING	1 ST	

L = Assembly group D = Sealing element

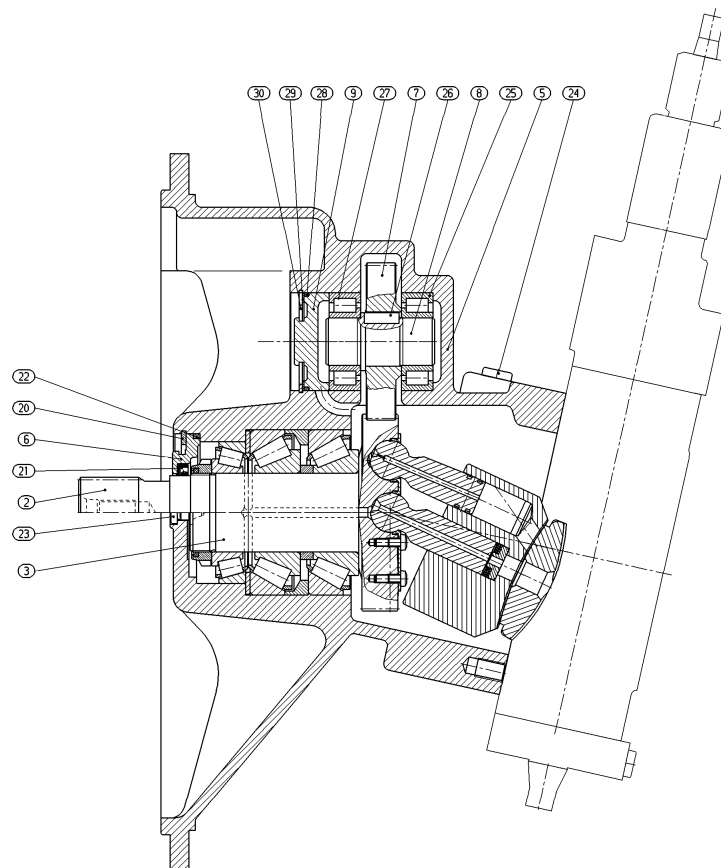
Spare parts list

Product Unit
Axial Piston Units

Part No.: R909423525

Designation: VARIABLE DOUBLE PUMP

Drawing no.: R909722665



Spare parts list

Product Unit
Axial Piston Units

Part No.: R909411235

Designation: ROTARY GROUP

Drawing no.: R909700434

Pos.	Part No.	Designation	Quantity	
1	R909410209	ROTARY GROUP, HYDR. SECTION	1 ST	L
2	R909425758	PINION GEAR	1 ST	
3	R909651576	SHIM	1 ST	
3	R909651577	SHIM	1 ST	
3	R909651578	SHIM	1 ST	
3	R909651579	SHIM	1 ST	
3	R909651580	SHIM	1 ST	
4	R909650451	CONTROL LENS, RIGHT-HAND ROT.	1 ST	
10	R909154483	TAPERED-ROLLER BEARING UNIT	1 ST	
11	R909151101	TAPERED-ROLLER BEARING	1 ST	
12	R909156019	RING NUT	1 ST	

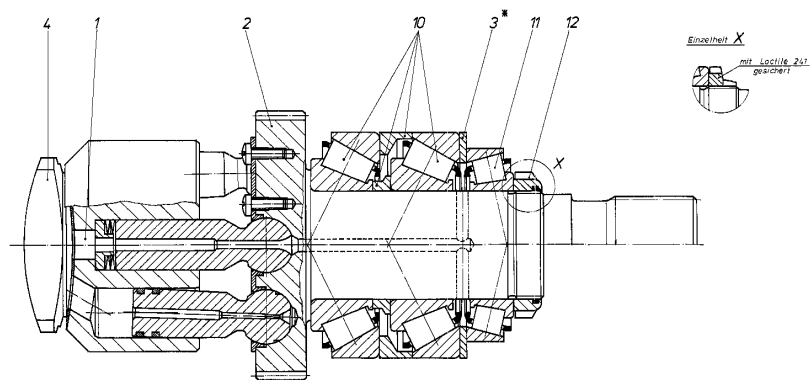
Spare parts list

Product Unit
Axial Piston Units

Part No.: R909411235

Designation: ROTARY GROUP

Drawing no.: R909700434



Spare parts list

Product Unit
Axial Piston Units

Part No.: R909410209

Designation: ROTARY GROUP, HYDR. SECTION

Drawing no.: R909700433

Pos.	Part No.	Designation	Quantity	
1	R902006884	CYLINDER	1 ST	
3	R909408762	CENTER PIN	1 ST	
4	R902021909	PISTON WITH PISTON RINGS	7 ST	L
6	R902121531	SPRING COLLAR	1 ST	L
7	R909408894	CUP SPRING	4 ST	
11	R909062847	RETAINING PLATE	1 ST	
12	R902602493	SCREW (COUNTERSUNK)	14 ST	

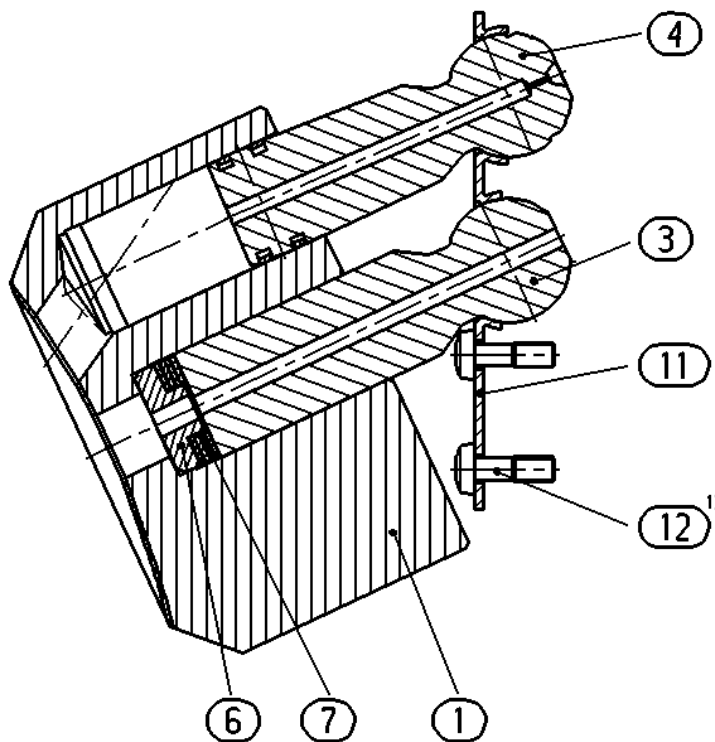
Spare parts list

Product Unit
Axial Piston Units

Part No.: R909410209

Designation: ROTARY GROUP, HYDR. SECTION

Drawing no.: R909700433



1) N02.119 beachten

Spare parts list

Product Unit
Axial Piston Units

Part No.: R902021909

Designation: PISTON WITH PISTON RINGS

Drawing no.: R902021890

Pos.	Part No.	Designation	Quantity
1	R909443339	PISTON	1 ST
2	R909831893	STEEL SEALING RING	2 ST

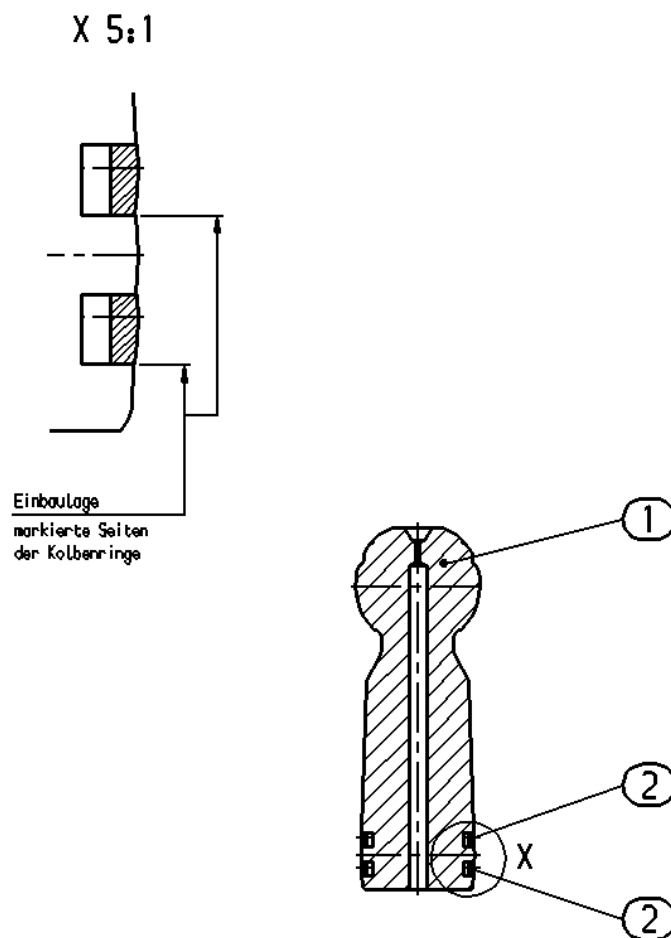
Spare parts list

Product Unit
Axial Piston Units

Part No.: R902021909

Designation: PISTON WITH PISTON RINGS

Drawing no.: R902021890



Spare parts list

Product Unit
Axial Piston Units

Part No.: R902121531

Designation: SPRING COLLAR

Pos.	Part No.	Designation	Quantity
1	R902121508	SPRING COLLAR	1 ST
2	R902121509	SPRING COLLAR	1 ST
3	R902121510	SPRING COLLAR	1 ST
4	R902121511	SPRING COLLAR	1 ST
5	R909412412	SPRING COLLAR	1 ST
6	R909412413	SPRING COLLAR	1 ST
7	R909412414	SPRING COLLAR	1 ST
8	R909412415	SPRING COLLAR	1 ST
9	R909412416	SPRING COLLAR	1 ST
10	R909412417	SPRING COLLAR	1 ST
13	R902043503	SPRING COLLAR	1 ST
14	R909432289	SPRING COLLAR	1 ST
15	R909432290	SPRING COLLAR	1 ST

Spare parts list

Product Unit
Axial Piston Units

Part No.: R909411234

Designation: ROTARY GROUP

Drawing no.: R909700434

Pos.	Part No.	Designation	Quantity	
1	R909410209	ROTARY GROUP, HYDR. SECTION	1 ST	L
2	R909425759	DRIVE SHAFT	1 ST	
3	R909651576	SHIM	1 ST	
3	R909651577	SHIM	1 ST	
3	R909651578	SHIM	1 ST	
3	R909651579	SHIM	1 ST	
3	R909651580	SHIM	1 ST	
4	R909650452	CONTROL LENS, LEFT-HAND	1 ST	
10	R909154483	TAPERED-ROLLER BEARING UNIT	1 ST	
11	R909151101	TAPERED-ROLLER BEARING	1 ST	
12	R909156019	RING NUT	1 ST	

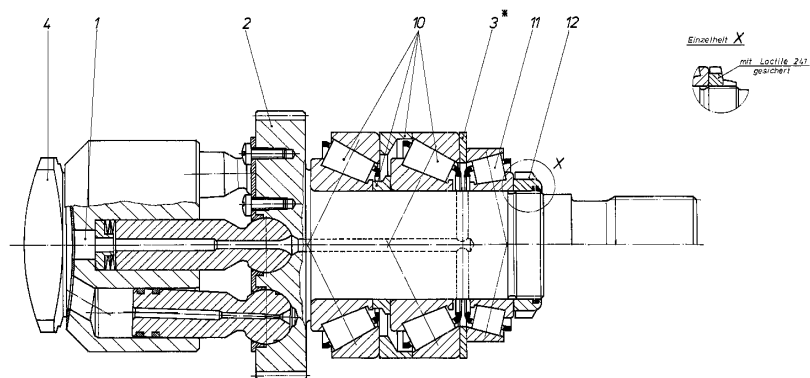
Spare parts list

Product Unit
Axial Piston Units

Part No.: R909411234

Designation: ROTARY GROUP

Drawing no.: R909700434



Spare parts list

Product Unit
Axial Piston Units

Part No.: R909410209

Designation: ROTARY GROUP, HYDR. SECTION

Drawing no.: R909700433

Pos.	Part No.	Designation	Quantity	
1	R902006884	CYLINDER	1 ST	
3	R909408762	CENTER PIN	1 ST	
4	R902021909	PISTON WITH PISTON RINGS	7 ST	L
6	R902121531	SPRING COLLAR	1 ST	L
7	R909408894	CUP SPRING	4 ST	
11	R909062847	RETAINING PLATE	1 ST	
12	R902602493	SCREW (COUNTERSUNK)	14 ST	

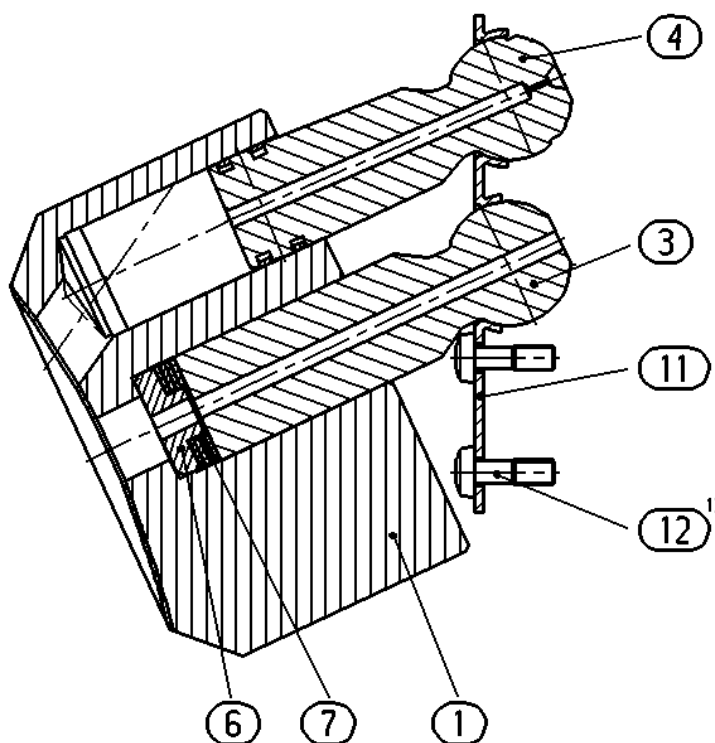
Spare parts list

Product Unit
Axial Piston Units

Part No.: R909410209

Designation: ROTARY GROUP, HYDR. SECTION

Drawing no.: R909700433



1) N02.119 beachten

Spare parts list

Product Unit
Axial Piston Units

Part No.: R902021909

Designation: PISTON WITH PISTON RINGS

Drawing no.: R902021890

Pos.	Part No.	Designation	Quantity
1	R909443339	PISTON	1 ST
2	R909831893	STEEL SEALING RING	2 ST

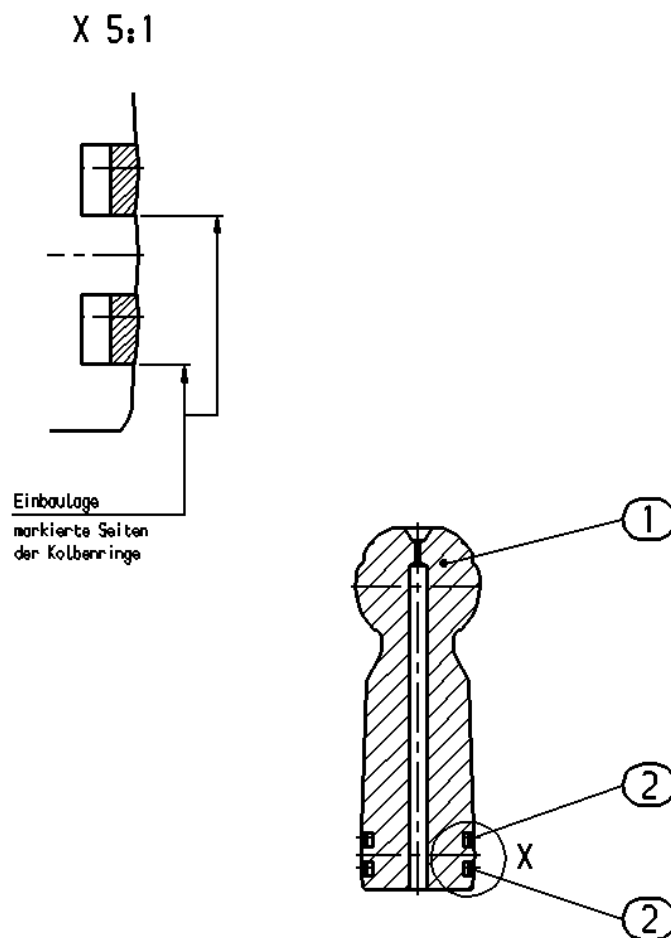
Spare parts list

Product Unit
Axial Piston Units

Part No.: R902021909

Designation: PISTON WITH PISTON RINGS

Drawing no.: R902021890



Spare parts list

Product Unit
Axial Piston Units

Part No.: R902121531

Designation: SPRING COLLAR

Pos.	Part No.	Designation	Quantity
1	R902121508	SPRING COLLAR	1 ST
2	R902121509	SPRING COLLAR	1 ST
3	R902121510	SPRING COLLAR	1 ST
4	R902121511	SPRING COLLAR	1 ST
5	R909412412	SPRING COLLAR	1 ST
6	R909412413	SPRING COLLAR	1 ST
7	R909412414	SPRING COLLAR	1 ST
8	R909412415	SPRING COLLAR	1 ST
9	R909412416	SPRING COLLAR	1 ST
10	R909412417	SPRING COLLAR	1 ST
13	R902043503	SPRING COLLAR	1 ST
14	R909432289	SPRING COLLAR	1 ST
15	R909432290	SPRING COLLAR	1 ST

Spare parts list

Product Unit
Axial Piston Units

Part No.: R909423663

Designation: CONTROL

Drawing no.: R902018337

Pos.	Part No.	Designation	Quantity	
1	R909420432	PRESSURE REGULATING VALVE	1 ST	L
2	R909420418	COVER	1 ST	L
5	R909419293	CONTROL HOUSING	1 ST	
6	R909412864	POSITIONING PISTON	1 ST	
7	R909415118	SWIVEL FORK	1 ST	
8	R909412866	CONTROL BUSH	1 ST	
9	R909412867	CONTROL PISTON	1 ST	
10	R902004382	BRACKET	1 ST	
11	R909073211	PRESSURE SPRING	1 ST	
12	R909418581	BACK-UP BUSHING	1 ST	
13	R909418577	PRESSURE SPRING	1 ST	
14	R909419130	ASSEMBLY PIECE	1 ST	
15	R909419131	SPRING COLLAR	1 ST	
16	R909419231	PRESSURE SPRING	1 ST	
17	R909410891	SPRING COLLAR	1 ST	
18	R909430548	LOCKING SCREW	1 ST	
19	R909430547	THREADED PIN	1 ST	
20	R909415924	BOLT	2 ST	
21	R909411212	BOLT	1 ST	
22	R909419629	CONTROL LEVER	1 ST	
23	R909412369	THREADED PIN	1 ST	
24	R909410885	PRESSURE SPRING	1 ST	
25	R909650391	GASKET	1 ST	D
30	R909152426	SEAL LOCK NUT	1 ST	D
31	R909157764	SEAL LOCK NUT	1 ST	D
32	R909085810	RETAINING DISC	6 ST	
33	R909084186	CYLINDER PIN	2 ST	
34	R909084141	CYLINDER PIN	2 ST	
35	R909083758	O-RING	1 ST	D
36	R909087327	BALL BEARING	1 ST	D
37	R909156271	NEEDLE CROWN	1 ST	
38	R909083100	SOCKET-HEAD SCREW	4 ST	
39	R909083087	SOCKET-HEAD SCREW	8 ST	
40	R909156647	SQUARE RING	1 ST	D
41	R909153873	SQUARE RING	1 ST	D
42	R909083024	SOCKET-HEAD SCREW	1 ST	
43	R909831319	DOUBLE BREAK-OFF PIN	2 ST	D

L = Assembly group D = Sealing element

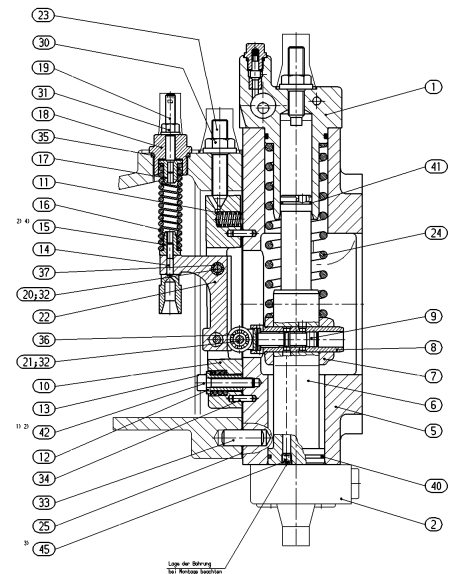
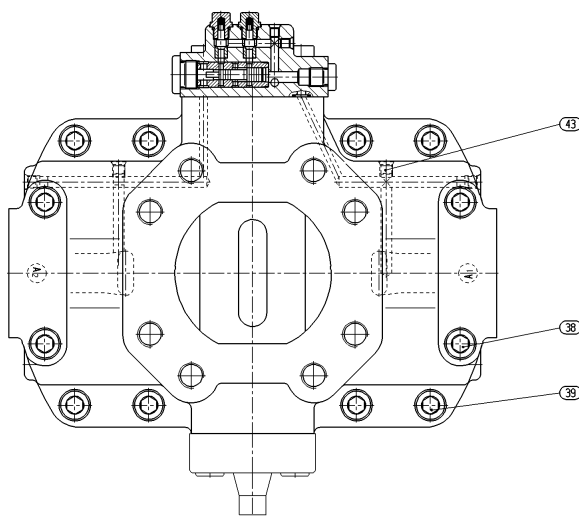
Spare parts list

Product Unit
Axial Piston Units

Part No.: R909423663

Designation: CONTROL

Drawing no.: R902018337



① Achsbühnenring Nr. = 20a
② Wellenring nach ISO4141/16 / Auftrag spezifizieren
③ mit LSC115.30 spezifizieren
④ Achsbühnenring Nr. = 10a

Spare parts list

Product Unit
Axial Piston Units

Part No.: R909420432

Designation: PRESSURE REGULATING VALVE

Drawing no.: R909731291

Pos.	Part No.	Designation	Quantity	
1	R909412364	PRESS. AVERAGING VALVE HOUSING	1 ST	
2	R909412333	CONTROL BUSH	1 ST	
3	R909412334	CONTROL PISTON	1 ST	
4	R909412335	LOCKING SCREW	1 ST	
5	R909415579	VALVE POPPET	2 ST	
6	R909415815	BUSH	2 ST	
7	R909415580	LOCKING SCREW	2 ST	
8	R909060519	PRESSURE SPRING	2 ST	
10	R909151692	LOCKING SCREW	1 ST	D
11	R909086498	O-RING	4 ST	D
12	R909083769	O-RING	1 ST	D
13	R909083063	SOCKET-HEAD SCREW	2 ST	
14	R909086752	THREADED PIN	1 ST	
15	R909152426	SEAL LOCK NUT	1 ST	D
16	R909831318	DOUBLE BREAK-OFF PIN	3 ST	D

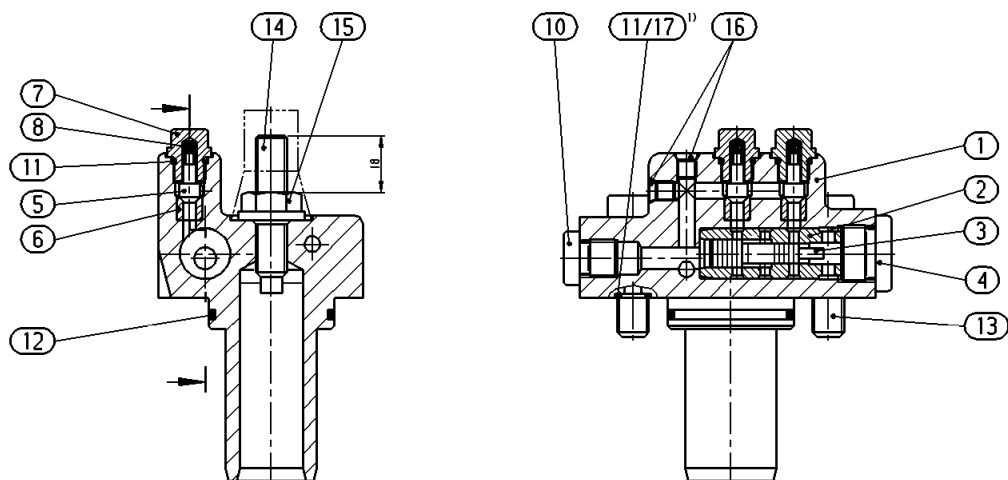
Spare parts list

Product Unit
Axial Piston Units

Part No.: R909420432

Designation: PRESSURE REGULATING VALVE

Drawing no.: R909731291



1) nur bei Stockl. 536.06.02.02

Spare parts list

Product Unit
Axial Piston Units

Part No.: R909420418

Designation: COVER

Drawing no.: R909731931

Pos.	Part No.	Designation	Quantity	
1	R909410907	COVER	1 ST	
3	R909085545	O-RING	1 ST	D
4	R909083087	SOCKET-HEAD SCREW	4 ST	
5	R909152426	SEAL LOCK NUT	1 ST	D
6	R909447150	THREADED PIN	1 ST	L
7	R909151979	LOCKING SCREW	1 ST	D

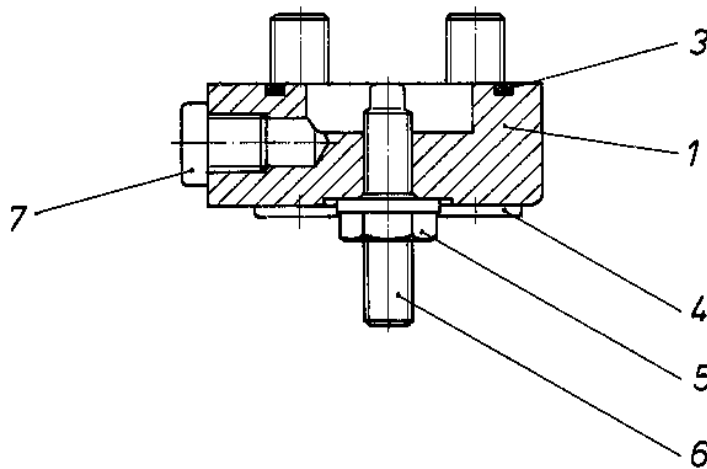
Spare parts list

Part No.: R909420418

Designation: COVER

Product Unit
Axial Piston Units

Drawing no.: R909731931



Spare parts list

Product Unit
Axial Piston Units

Part No.: R909447150

Designation: THREADED PIN

Pos.	Part No.	Designation	Quantity
1	R909086752	THREADED PIN	1 ST
2	R909154690	THREADED PIN	1 ST
3	R909153779	THREADED PIN	1 ST
4	R909154058	THREADED PIN	1 ST
5	R909156717	THREADED PIN	1 ST
6	R909157215	THREADED PIN	1 ST
7	R909831094	THREADED PIN	1 ST

Spare parts list

Product Unit
Axial Piston Units

Part No.: R909428742

Designation: 3-CIRCUIT CONTROL VALVE

Drawing no.: R909731265

Pos.	Part No.	Designation	Quantity	
1	R909419771	CONNECTING PIECE	1 ST	
2	R909422769	THREADED INSERT	1 ST	
3	R909431098	CONTROL BUSH	1 ST	
4	R909431099	CONTROL PISTON	1 ST	
5	R909422772	SOCKET-HEAD SCREW	1 ST	
6	R909422773	SPRING COLLAR	1 ST	
7	R909431097	PIN	1 ST	
8	R909422800	LOCKING SCREW	1 ST	
9	R909422801	WASHER	1 ST	
10	R909420177	PRESSURE SPRING	1 ST	
15	R909152425	SEAL LOCK NUT	1 ST	D
16	R909083757	O-RING	1 ST	D
17	R909083761	O-RING	2 ST	D
18	R909083758	O-RING	1 ST	D

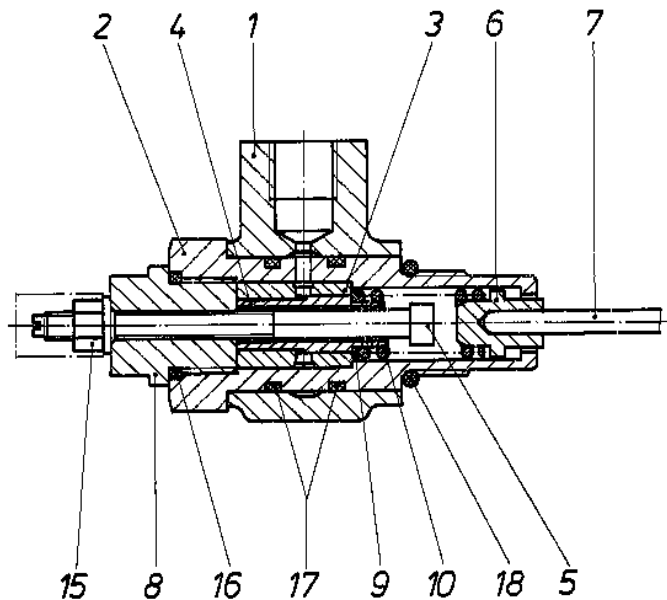
Spare parts list

Product Unit
Axial Piston Units

Part No.: R909428742

Designation: 3-CIRCUIT CONTROL VALVE

Drawing no.: R909731265



Spare parts list

Product Unit
Axial Piston Units

Part No.: R909446557

Designation: FLANGE WITH ACCESSORIES

Drawing no.: R909732146

Pos.	Part No.	Designation	Quantity	
1	R902036651	GEAR	1 ST	
2	R909435130	FLANGE	1 ST	
10	R909152647	O-RING	1 ST	D
11	R909085478	BALL BEARING	1 ST	
12	R909150668	BALL BEARING	1 ST	
13	R909083086	SOCKET-HEAD SCREW	4 ST	
14	R909153947	O-RING	1 ST	D

Spare parts list

Product Unit
Axial Piston Units

Part No.: R909446557

Designation: FLANGE WITH ACCESSORIES

Drawing no.: R909732146

