

Spare parts list

Product Unit
Axial Piston Units

Part No.: R902042938
Designation: AA11VLO260DRG/11R-VSD62N00-S

Drawing no.: R902008123

Pos.	Part No.	Designation	Quantity	
1	R902013701	ROTARY GROUP	1 ST	L
2	R902089667	PORT PLATE WITH ACCESSORIES	1 ST	L
3	R902099631	REGULATOR	1 ST	L
4	R902007015	CONTROL, HYDRAULIC	1 ST	L
5	R909600262	CONTROL, HYDRAULIC	1 ST	L
7	R902034541	COVER WITH ACCESSORIES	1 ST	L
10	R902094198	HOUSING	1 ST	
11	R909443013	JOINT PIN	4 ST	
12	R909449416	IMPELLER, RIGHT-HAND ROTAT.	1 ST	
20	R909921095	THREADED PIN	2 ST	
22	R909153328	SEAL LOCK NUT	2 ST	D
24	R909156649	LOCKING SCREW	4 ST	D
25	R909831387	SOCKET-HEAD SCREW	4 ST	
26	R909831133	O-RING	1 ST	D
27	R902601857	LOCKING SCREW	2 ST	D
28	R909153512	CLAMPING PIN	2 ST	
29	R909151259	RETAINING RING	2 ST	
40	R909157039	LOCKING SCREW	1 ST	D
41	R902600612	VENTSEAL	2 ST	D

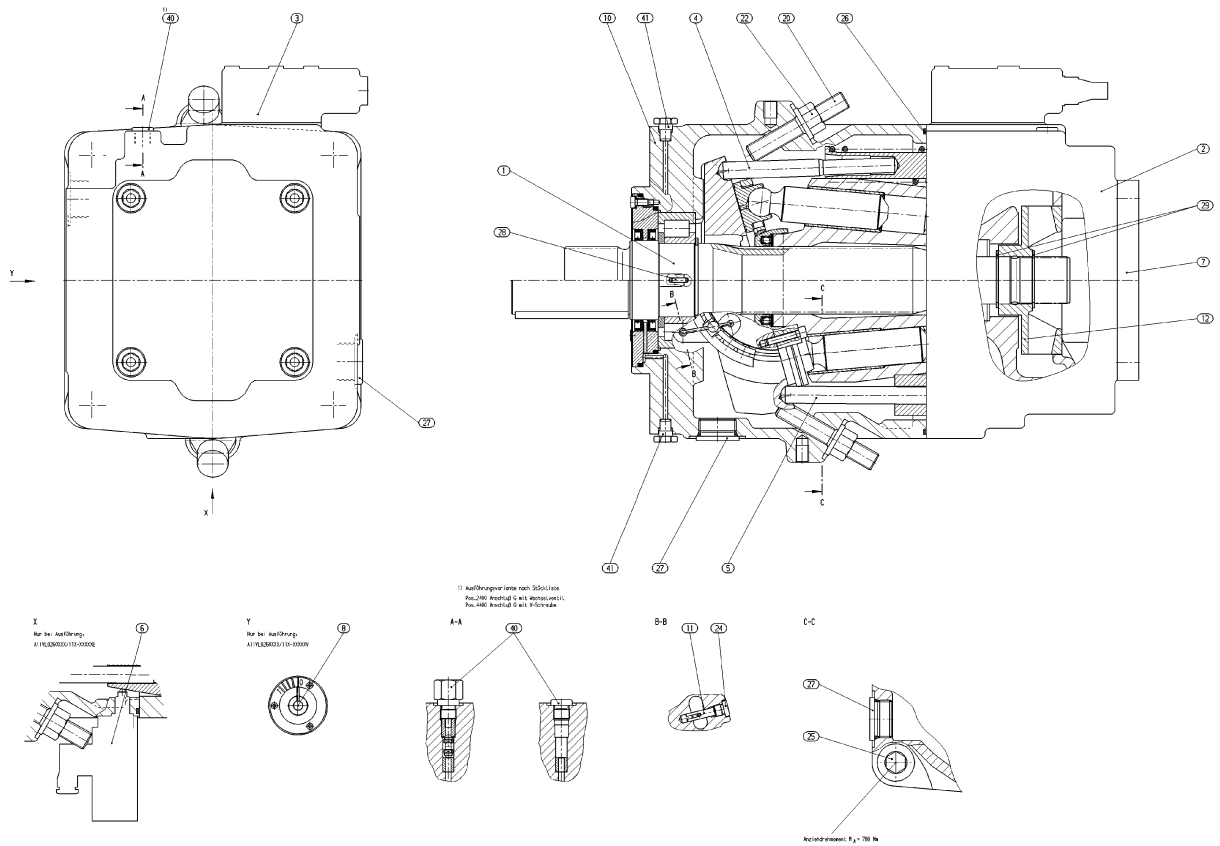
Spare parts list

Product Unit
Axial Piston Units

Part No.: R902042938

Designation: AA11VLO260DRG/11R-VSD62N00-S

Drawing no.: R902008123



Spare parts listProduct Unit
Axial Piston UnitsPart No.: R902013701
Designation: ROTARY GROUP

Drawing no.: R902061010

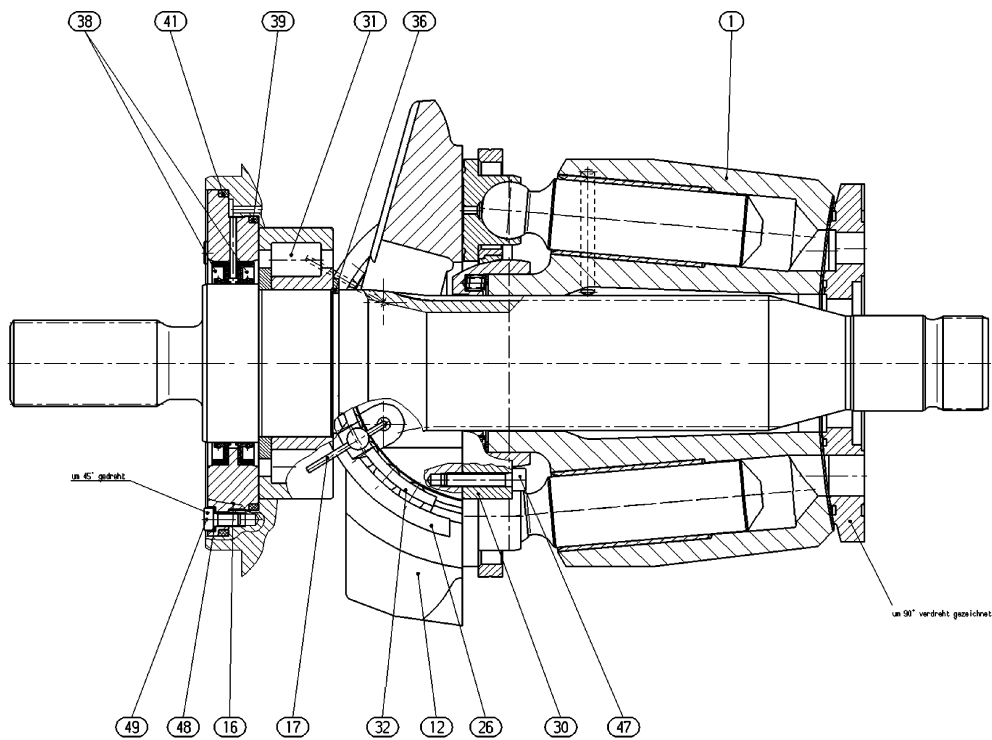
Pos.	Part No.	Designation	Quantity	
1	R902400705	ROTARY GROUP, HYDR. SECTION	1 ST	L
12	R909921364	CRADLE	1 ST	
14	R902013700	DRIVE SHAFT	1 ST	
16	R909432912	COVER	1 ST	D
17	R909403549	WIRE	4 ST	
26	R902066596	BEARING LINER (PAIR)	1 ST	
30	R909921366	RETAINING SEGMENT	2 ST	
31	R909831574	PLAIN ROLLER BEARING	1 ST	
32	R902600958	CRADLE BEARING ASSEMBLY (SET)	1 ST	
36	R909084419	RETAINING RING	1 ST	
38	R909831663	SHAFT SEAL RING	2 ST	D
39	R909154937	O-RING	1 ST	D
41	R909831131	O-RING	1 ST	D
47	R909831331	SOCKET-HEAD SCREW	4 ST	
48	R909152271	SEAL RING	4 ST	D
49	R909083186	SOCKET-HEAD SCREW	4 ST	

Spare parts list

Product Unit
Axial Piston Units

Part No.: R902013701
Designation: ROTARY GROUP

Drawing no.: R902061010



Spare parts list

Product Unit

Axial Piston Units

Part No.: R902400705

Designation: ROTARY GROUP, HYDR. SECTION

Drawing no.: R902400667

Pos.	Part No.	Designation	Quantity
1	R902435783	PISTON-SLIPPER PAD	9 ST
3	R902400663	CYLINDER WITH CONTROL PLATE	1 ST
5	R902400559	RETAINING PLATE	1 ST
6	R902400655	RETAINING BALL	1 ST
9	R902400656	SHIM	2 ST
10	R902400657	SHIM	2 ST
14	R902400658	SPRING	20 ST

Spare parts list

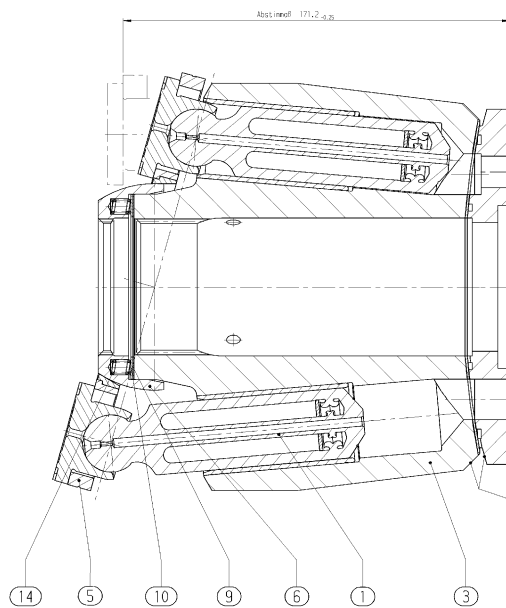
Part No.: R902400705

Designation: ROTARY GROUP, HYDR. SECTION

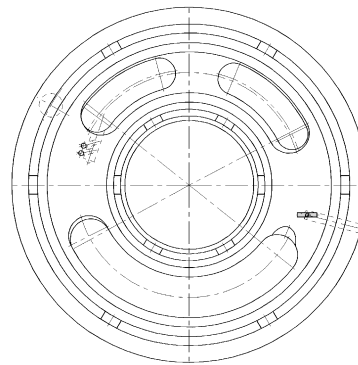
Product Unit

Axial Piston Units

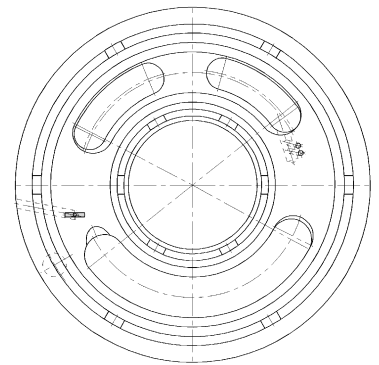
Drawing no.: R902400667



Triebwerk Id.-Nr. 2400669
Verteilerplatte Drehrichtung rechts



Triebwerk Id.-Nr. 2400670
Verteilerplatte Drehrichtung Links



- Triebwerk abgestimmt nach Id.-Nr. 2400551
- Triebwerk verpackt nach Id.-Nr. 2400552

-Teile bleibend gekennzeichnet mit

Dotier	Schicht	Lfd. Nummer
(TT, RRS)	(F/S/NI)	(xxxx)

z.B. 30.01. F 123

Spare parts list

Product Unit

Axial Piston Units

Part No.: R902089667

Designation: PORT PLATE WITH ACCESSORIES

Drawing no.: R902090701

Pos.	Part No.	Designation	Quantity	
1	R909153930	LOCKING SCREW	1 ST	
2	R902087979	PORT PLATE, RIGHT-HAND ROTAT.	1 ST	
10	R909156665	PLAIN ROLLER BEARING	1 ST	
11	R909831318	DOUBLE BREAK-OFF PIN	8 ST	
13	R909087753	CYLINDER PIN	2 ST	
14	R909830241	CYLINDER PIN	1 ST	
19	R909157039	LOCKING SCREW	2 ST	D
20	R909156863	LOCKING SCREW	1 ST	D
21	R909156495	ORIFICE	1 ST	
22	R909156494	ORIFICE	1 ST	

Spare parts list

Product Unit

Axial Piston Units

Part No.: R902099631

Designation: REGULATOR

Drawing no.: R909725716

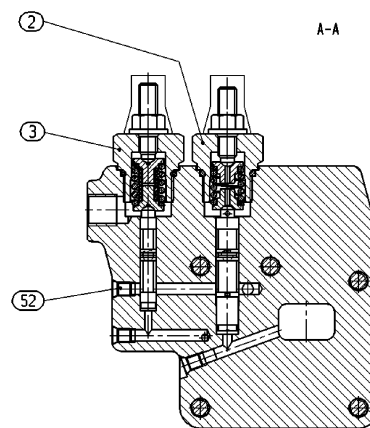
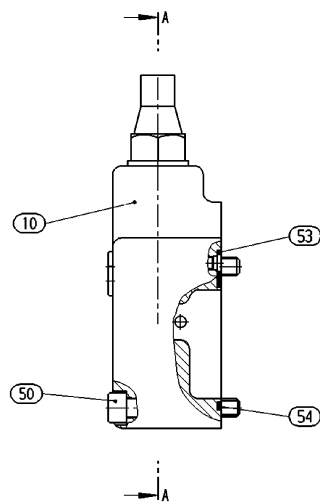
Pos.	Part No.	Designation	Quantity	
2	R902081656	CONTROL ELEMENT	1 ST	L
3	R902099629	CONTROL ELEMENT	1 ST	L
10	R902083019	CONTROL HOUSING	1 ST	
50	R909083044	SOCKET-HEAD SCREW	5 ST	
52	R909831318	DOUBLE BREAK-OFF PIN	5 ST	
53	R909157539	O-RING	3 ST	D
54	R902600660	O-RING	1 ST	D

Spare parts list

Part No.: R902099631
Designation: REGULATOR

Product Unit
Axial Piston Units

Drawing no.: R909725716



Spare parts list

Product Unit

Axial Piston Units

Part No.: R902081656

Designation: CONTROL ELEMENT

Drawing no.: R909725838

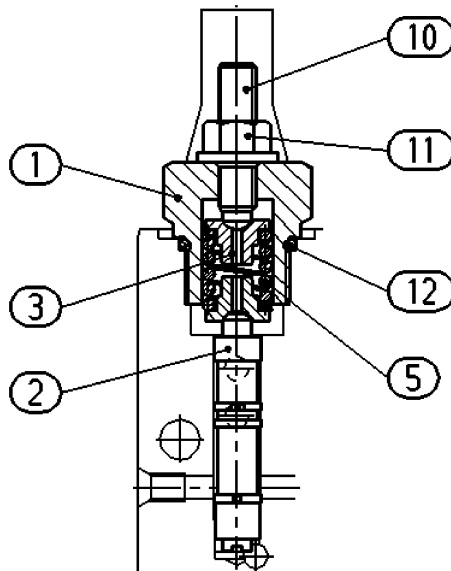
Pos.	Part No.	Designation	Quantity	
1	R909440779	LOCKING SCREW	1 ST	
2	R902081380	CONTROL PISTON	1 ST	
3	R909436991	SPRING BOLT	2 ST	
5	R909445707	PRESSURE SPRING	1 ST	
10	R909444953	THREADED PIN	1 ST	
11	R909152707	SEAL LOCK NUT	1 ST	D
12	R909154235	O-RING	1 ST	D

Spare parts list

Part No.: R902081656
Designation: CONTROL ELEMENT

Product Unit
Axial Piston Units

Drawing no.: R909725838



Spare parts list

Product Unit

Axial Piston Units

Part No.: R902099629

Designation: CONTROL ELEMENT

Drawing no.: R909725841

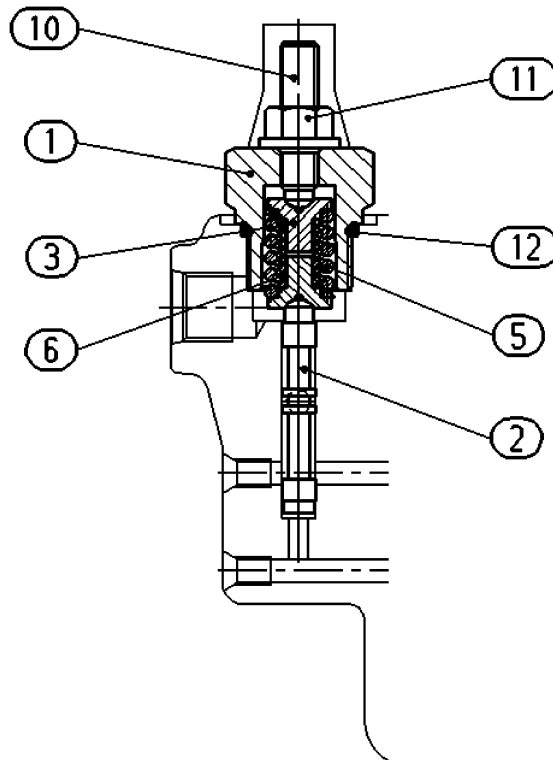
Pos.	Part No.	Designation	Quantity	
1	R909440779	LOCKING SCREW	1 ST	
2	R902099586	CONTROL PISTON	1 ST	
3	R909436409	SPRING BOLT	2 ST	
5	R909436394	PRESSURE SPRING	1 ST	
6	R909436395	PRESSURE SPRING	1 ST	
10	R909439097	THREADED PIN	1 ST	
11	R909152707	SEAL LOCK NUT	1 ST	D
12	R909154235	O-RING	1 ST	D

Spare parts list

Part No.: R902099629
Designation: CONTROL ELEMENT

Product Unit
Axial Piston Units

Drawing no.: R909725841



Spare parts list

Product Unit

Axial Piston Units

Part No.: R902007015
Designation: CONTROL, HYDRAULIC

Drawing no.: R909730295

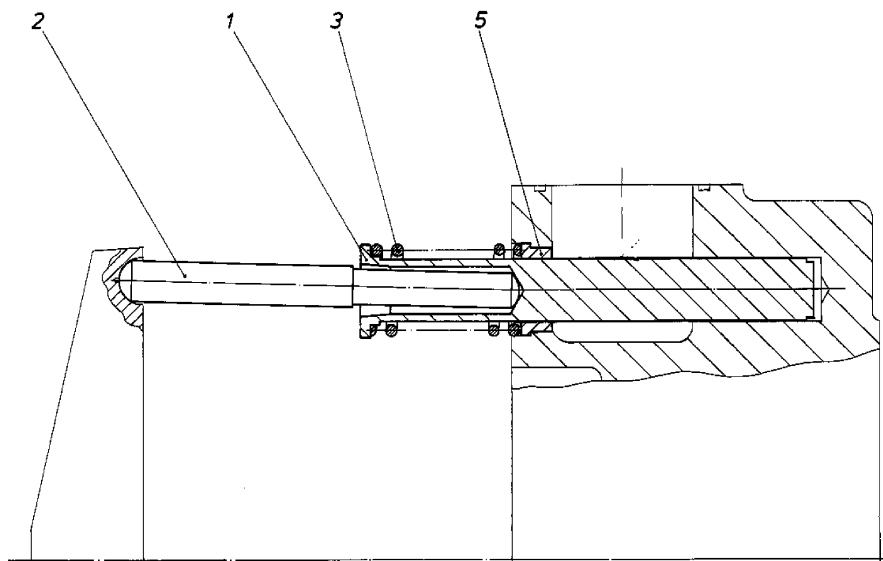
Pos.	Part No.	Designation	Quantity
1	R902006499	POSITIONING PISTON	1 ST
2	R909449412	ROD	1 ST
3	R909436737	PRESSURE SPRING	1 ST
5	R902025366	BUSH	1 ST

Spare parts list

Product Unit
Axial Piston Units

Part No.: R902007015
Designation: CONTROL, HYDRAULIC

Drawing no.: R909730295



Spare parts list

Product Unit

Axial Piston Units

Part No.: R909600262

Designation: CONTROL, HYDRAULIC

Drawing no.: R909730321

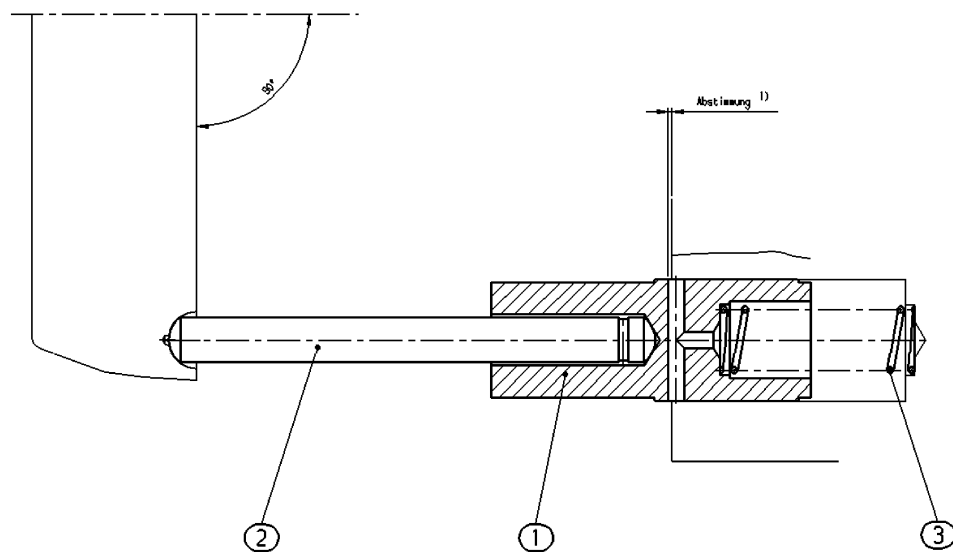
Pos.	Part No.	Designation	Quantity
1	R909651680	RETURN PISTON	1 ST
2	R909449744	RETURN ROD	1 ST
2	R909449745	RETURN ROD	1 ST
2	R902028020	RETURN ROD	1 ST
2	R909449415	RETURN ROD	1 ST
3	R909432464	PRESSURE SPRING	1 ST

Spare parts list

Product Unit
Axial Piston Units

Part No.: R909600262
Designation: CONTROL, HYDRAULIC

Drawing no.: R909730321



1) siehe Maßblatt

Spare parts list

Product Unit
Axial Piston Units

Part No.: R902034541
Designation: COVER WITH ACCESSORIES

Drawing no.: R909731952

Pos.	Part No.	Designation	Quantity	
1	R909921262	COVER	1 ST	
3	R909083210	SOCKET-HEAD SCREW	4 ST	
5	R909157582	O-RING	1 ST	D

Spare parts list

Part No.: R902034541

Designation: COVER WITH ACCESSORIES

Product Unit

Axial Piston Units

Drawing no.: R909731952

