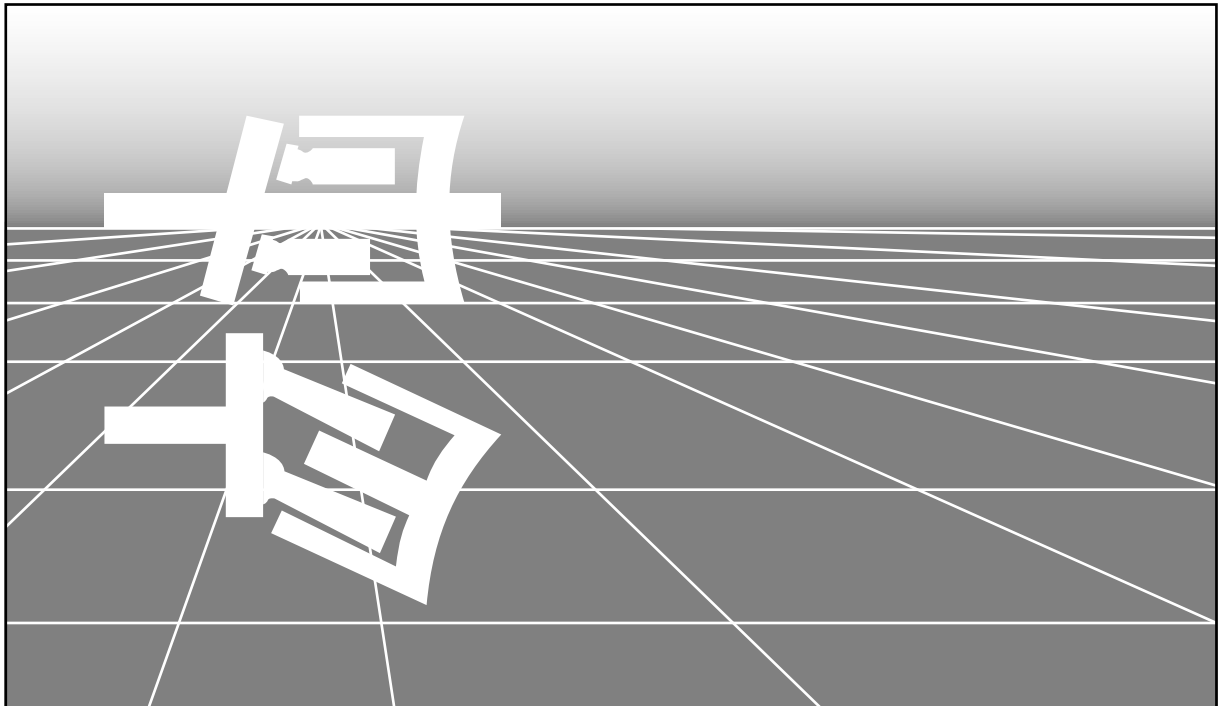


Service Parts List

AA4V56

Series 1



Ordering of AA4V Parts

For Rexroth to supply the correct parts for your unit, please include all of the following information with your parts order.

TYPE CODE
TYPE NUMBER
SERIAL NUMBER
PART NUMBER
PART NAME

Due to modifications and improvements to our products, minor changes can occur to the parts, even though the type code may not necessarily reflect these changes. The type number and serial number will guarantee that the correct parts for your unit are supplied.

HYDROMATIK GMBH ULM (DONAU)		
THE REXROTH CORP., WOOSTER, OHIO		
TYPE AA4V90HD1R30101		
NO 233.22.15.23		
SERIAL NO. 1127809	YEAR 10.90	MINERAL OIL
MADE IN W. GERMANY		
ROTATION		

ORDERING EXAMPLE

To order a replacement charge pump for an AA4V hydrostatic transmission pump having the above nameplate, the following information would be required.

+ Type Code	AA4V90HD1R30101
+ Type Number	233.22.15.23
+ Serial Number	1127809
* Part Number	5440-430-001
* Part Name	Charge Pump

+ This information is taken from the nameplate on the pump.

* This information is taken from the Service Parts List.

Rotary Groups.....Page 6-9

Housing.....10-11

Stroking Piston.....12-13

Port Block.....14-15

HD Control.....16-17

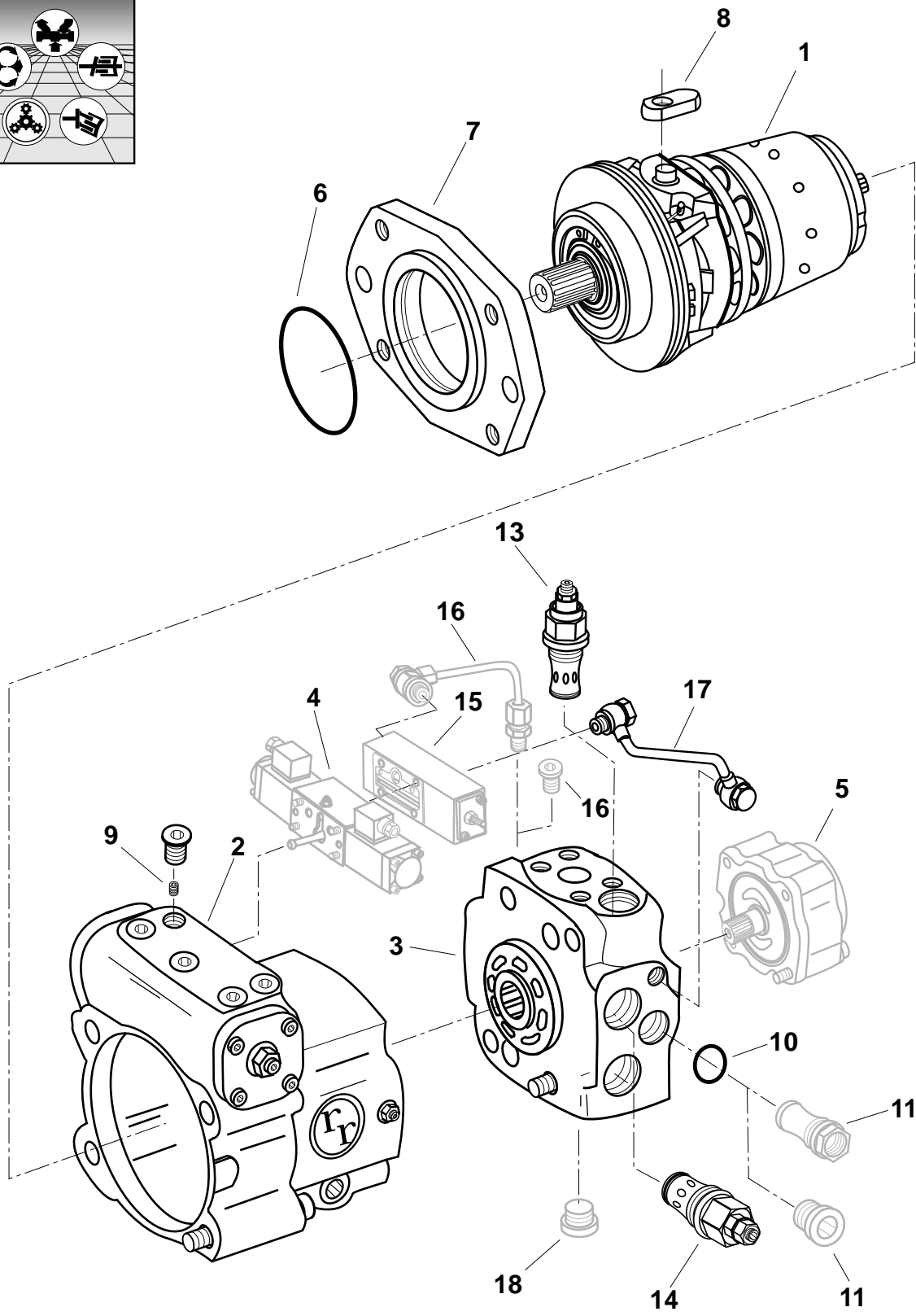
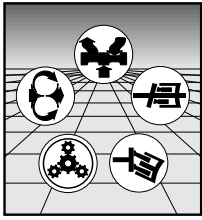
HW Controls.....18-21

EL Controls.....22-25

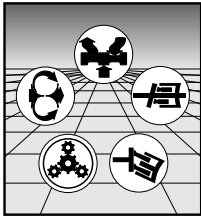
Charge Pump.....26-27

Thru-Drives.....28-33

P.O.R.....34-35



Assembly Number
AA4V56



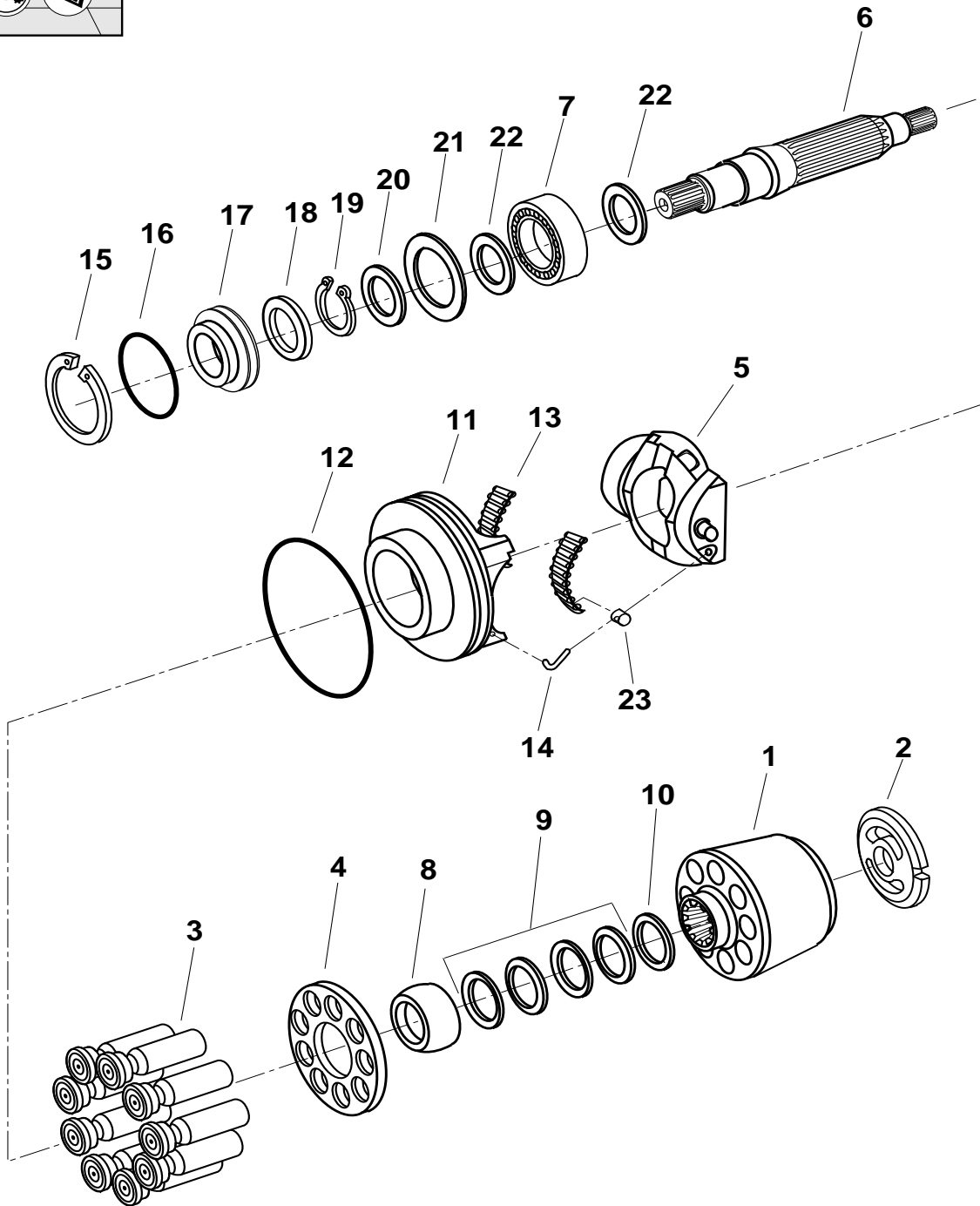
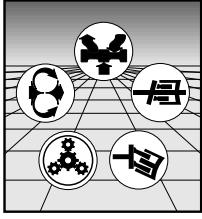
REXROTH CORPORATION

MOBILE HYDRAULICS DIVISION

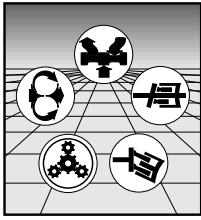
Assembly Number
AA4V56

Item	Description	Qty	Part Number	
1	Rotary - Group Assembly CW	1	5420-570-001	
1	Rotary - Group Assembly CCW	1	5420-570-002	
2	Housing Assembly	1	5420-566-004	
3	Port Block Assembly	1	5420-430-012	
4	HD Control Assembly	1	5421-552-001	
4	HW Control Assembly	1	5422-552-001	
4	HW Control Assembly with Integral POR	1	5422-552-002	
4	EL Control Ass'y (24 Volts Proportional)	1	5423-552-001	
4	EL Control Ass'y (12 Volts Proportional)	1	5423-552-002	
5	Charge Pump	1	5420-430-001	
5	Charge Pump "A" Thru Drive Assembly	1	5420-635-003	
5	Charge Pump "B" Thru Drive Assembly	1	5420-635-010	
5	Charge Pump "B-B" Thru Drive Assembly	1	5420-635-011	
6	O-Ring (70 Duro Buna PRP-234)	1	68101-234	*
7	Front Flange	1	H401634	
8	Slide Block	1	H425992	
9	Stroking Time Orifice (0.8 mm)	2	H156492	
9	Stroking Time Orifice (1.0 mm)	2	H156493	
9	Stroking Time Orifice (1.2 mm)	2	H156494	
9	Stroking Time Orifice (1.4 mm)	2	H156495	
10	O-Ring (90 Duro Buna PRP-239)	1	68101-239	*
11	Charge Filter Adapter Sleeve	1	5400-083-001	
11	Plug (M26 x 1.5)	1	76118-001	
13	Charge Pump R/V Assembly	1	5400-566-004	
14	Main R/V Assembly (2600-6000 psi range)	2	5400-566-011	
14	Main R/V Assembly (1160-4640 psi range)	2	5400-566-013	
15	POR Assembly	1	5400-635-005	
16	POR Pipe	1	5420-635-005	
16	Plug (M12 x 1.5)	1	76116-002	
17	Control Pipe HD & EL without POR	1	5420-635-001	
17	Control Pipe HD, HW & EL with POR	1	5420-635-004	
17	Control Pipe HW without POR	1	5422-635-001	
18	Plug (SAE 7/8-14)	1	76107-010	

* Contained in Buna Seal Kit 5420-635-002



Assembly Number
5420-570-001



REXROTH CORPORATION

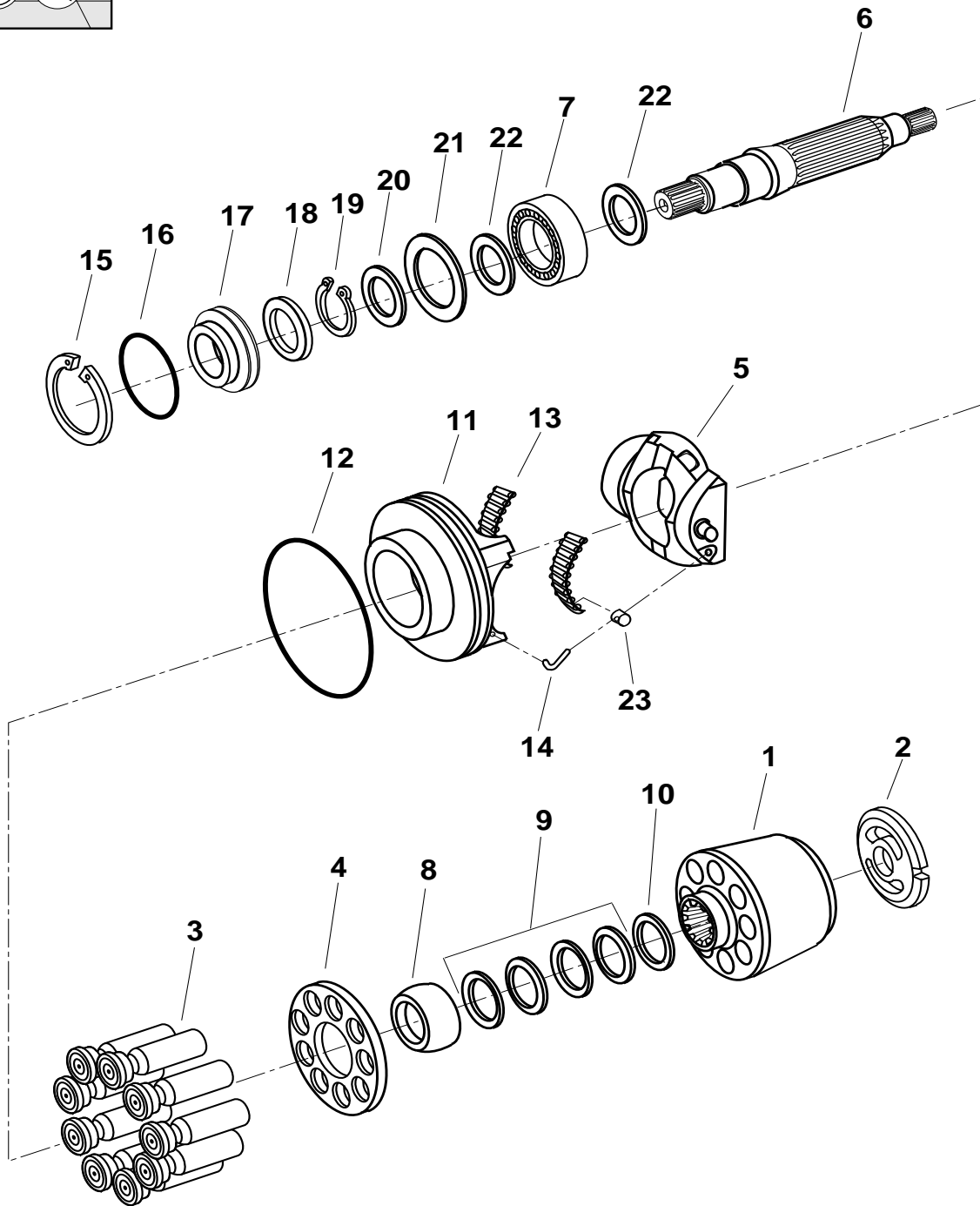
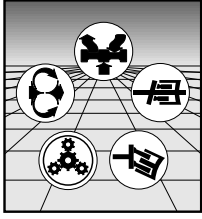
MOBILE HYDRAULICS DIVISION

Assembly Number
5420-570-001

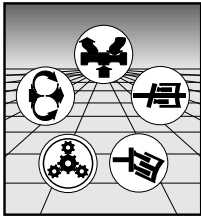
Item	Description	Qty	Part Number	
1	Barrel A4V56	1	H415123	
2	Control Lens CW	1	5420-049-005	
3	Piston	9	H440190	
4	Retaining Plate	1	H431014	
5	Swash Plate Assembly	1	5420-430-011	
6	Shaft SAE	1	H417001	
7	Roller Bearing	1	H153801	
8	Retaining Ball	1	H426454	
9	Belleville Washer (Set)	4	H074126	
10	Preload Shim (1.0 mm)	1	H078316	▲
10	Preload Shim (0.6 mm)	0	H078317	▲
10	Preload Shim (0.8 mm)	0	H411553	▲
10	Preload Shim (1.2 mm)	0	H411554	▲
11	Bearing Flange	1	H080294	
12	O-Ring (70 Duro Buna PRP-252)	1	68101-252	*
13	Cage Bearing (Set)	1	H154734	
14	Wire	2	H076233	
15	Int. Snap Ring (72 x 2.5 DIN 472)	1	71128-054	
16	O-Ring (70 Duro Buna PRP-146)	1	68101-146	*
17	Front Cover	1	H069525	
18	Shaft Seal (Buna-N)	1	5000-076-021	*
19	Ext. Snap Ring (35 x 1.5 DIN 471)	1	71119-007	
20	Shim (35.7 x 45 x 0.3 DIN 988)	1	H086706	
20	Shim (35.7 x 45 x 0.1 DIN 988)	0	H086707	
21	Shim (56 x 72 x 0.1 DIN 988)	1	H153353	
21	Shim (56 x 72 x 0.3 DIN 988)	0	H153354	
22	Supporting Disk	2	H153183	
23	Bearing Retainer Bushing	2	H401842	

* Contained in Buna Seal Kit 5420-635-002

▲ Select the correct Shim to set the Rotary Group Preload



Assembly Number
5420-570-002



REXROTH CORPORATION

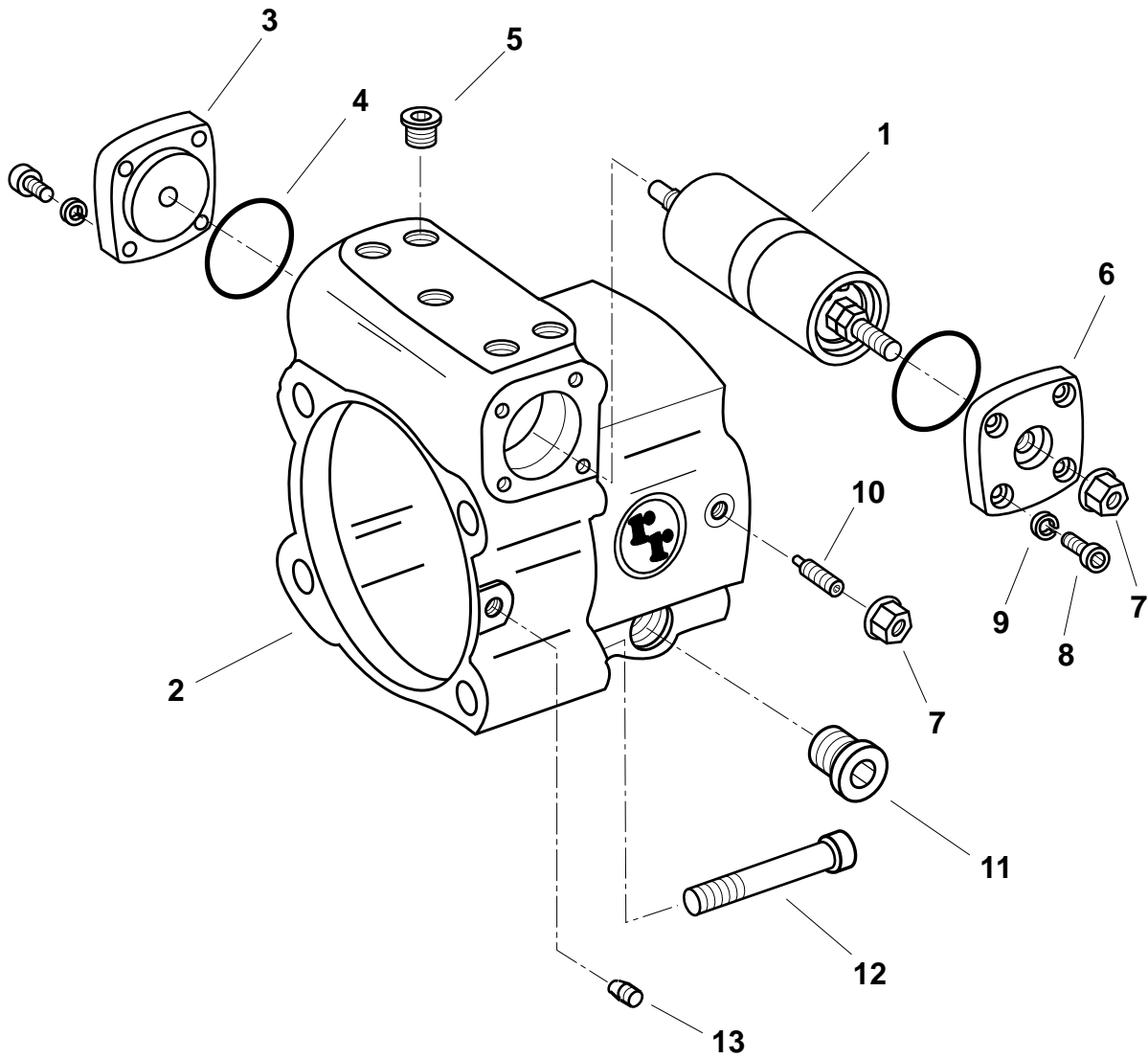
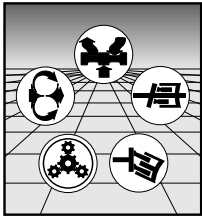
MOBILE HYDRAULICS DIVISION

Assembly Number
5420-570-002

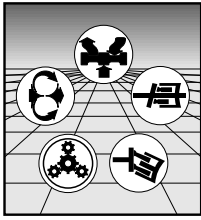
Item	Description	Qty	Part Number	
1	Barrel A4V56	1	H415123	
2	Control Lens CCW	1	5420-049-006	
3	Piston	9	H440190	
4	Retaining Plate	1	H431014	
5	Swash Plate Assembly	1	5420-430-011	
6	Shaft SAE	1	H417001	
7	Roller Bearing	1	H153801	
8	Retaining Ball	1	H426454	
9	Belleville Washer	4	H074126	
10	Preload Shim (1.0 mm)	1	H078316	▲
10	Preload Shim (0.6 mm)	0	H078317	▲
10	Preload Shim (0.8 mm)	0	H411553	▲
10	Preload Shim (1.2 mm)	0	H411554	▲
11	Bearing Flange	1	H080294	
12	O-Ring (70 Duro Buna PRP-252)	1	68101-252	*
13	Cage Bearing (Set)	1	H154734	
14	Wire	2	H076233	
15	Int. Snap Ring (72 x 2.5 DIN 472)	1	71128-054	
16	O-Ring (70 Duro Buna PRP-146)	1	68101-146	*
17	Front Cover	1	H069525	
18	Shaft Seal (Buna-N)	1	5000-076-021	*
19	Ext. Snap Ring (35 x 1.5 DIN 471)	1	71119-007	
20	Shim (35.7 x 45 x 0.3 DIN 988)	1	H086706	
20	Shim (35.7 x 45 x 0.1 DIN 988)	0	H086707	
21	Shim (56 x 72 x 0.1 DIN 988)	1	H153353	
21	Shim (56 x 72 x 0.3 DIN 988)	0	H153354	
22	Supporting Disk	2	H153183	
23	Bearing Retainer Bushing	2	H401842	

* Contained in Buna Seal Kit 5420-635-002

▲ Select the correct Shim to set the Rotary Group Preload



Assembly Number
5420-566-004



REXROTH CORPORATION

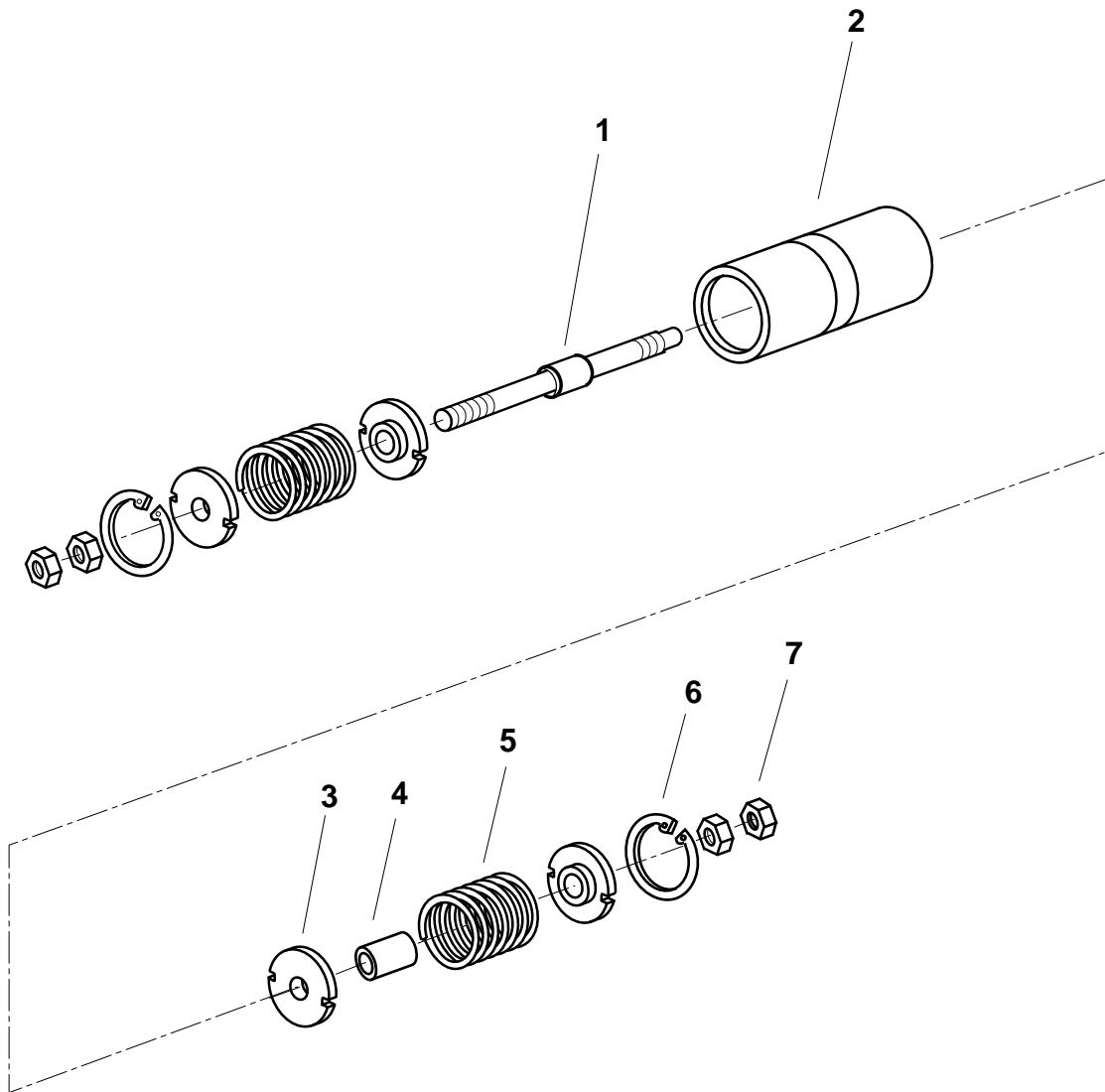
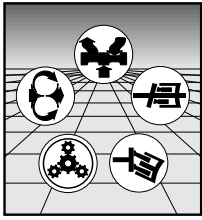
MOBILE HYDRAULICS DIVISION

Assembly Number
5420-566-004

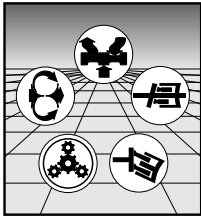
Item	Description	Qty	Part Number	
1	Stroking Piston Asssembly	1	5420-574-004	
2	Housing	1	5420-566-003	
3	Stroking Piston Cover	1	H414456	
4	O-Ring (70 Duro Buna PRP-135)	2	68101-135	*
5	Plug (SAE 7/16-20)	5	76107-004	
6	Stroking Piston Cover	1	H400425	
7	Seal Nut (M10 x 1.0)	2	65110-007	*
8	Cap Screw (M6 x 12 DIN 912 -8.8)	8	60118-054	
9	Lock Washer (M6 DIN 7980)	8	61116-002	
10	Eccentric Screw	1	H405757	
11	Plug (SAE 7/8-14)	1	76107-012	
12	Cap Screw (M14 x 80 DIN 912 -10.9)	4	60119-168	
13	Torsion Pin	1	H414043	▲
13	Torsion Pin	0	H414044	▲

* Contained in Buna Seal Kit 5420-635-002

▲ Choose the correct Torsion Pin to fit the Cradle.



Assembly Number
5420-574-004



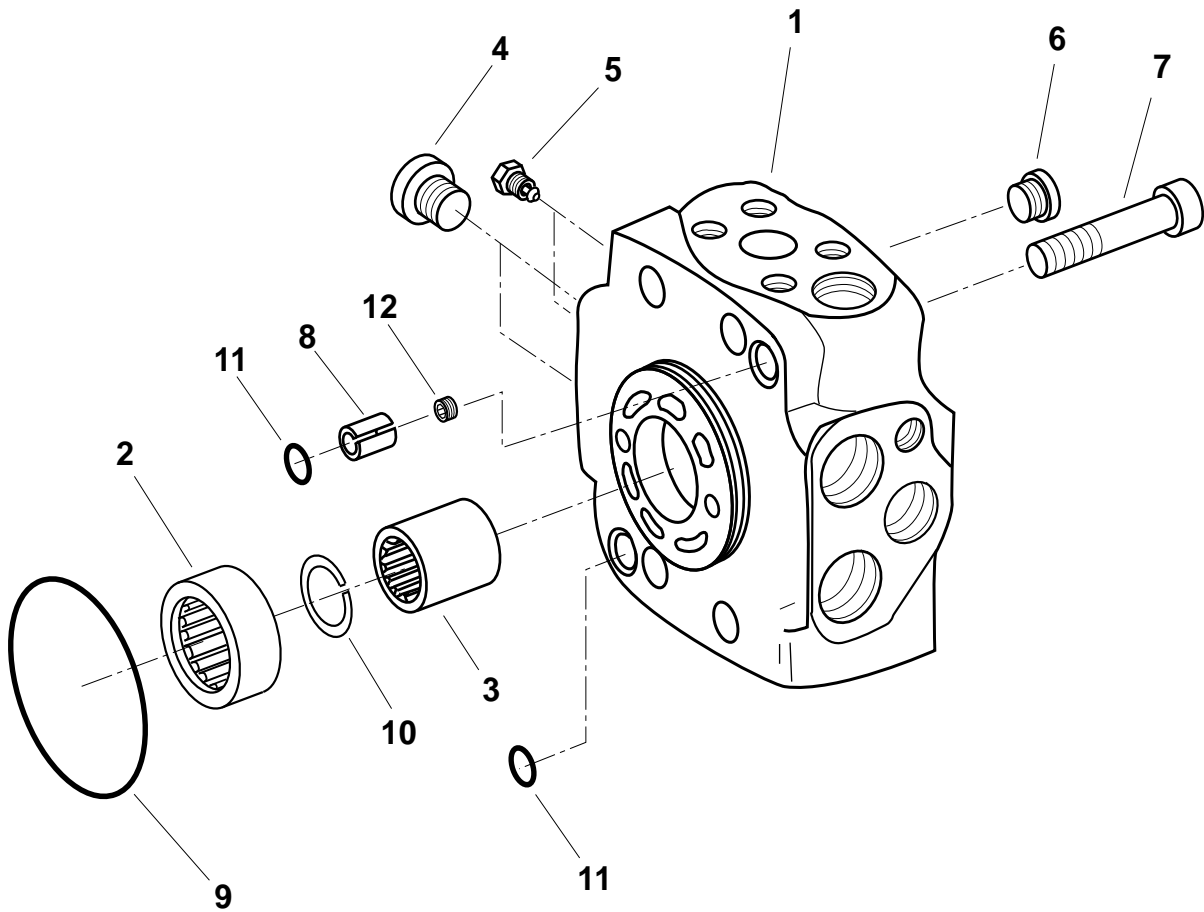
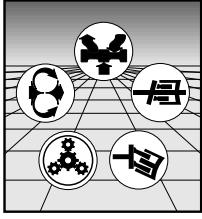
REXROTH CORPORATION

MOBILE HYDRAULICS DIVISION

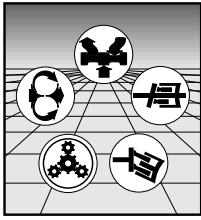
Assembly Number
5420-574-004

Item	Description	Qty	Part Number	
1	Rod	1	H414460	
2	Piston	1	H400338	
3	Spring Collar with Bushing	4	H404798	
4	Spacer Bushing	1	H078113	▲
4	Spacer Bushing	0	H078353	▲
4	Spacer Bushing	0	H078354	▲
5	Spring	2	H418170	
6	Seeger-V-Ring	2	B776939	
7	Jam Nut (M10 x 1.0 DIN 439-04)	4	H156503	

▲ Choose the Correct Spacer Bushing to Set Maximum Displacement.



Assembly Number
5420-430-012



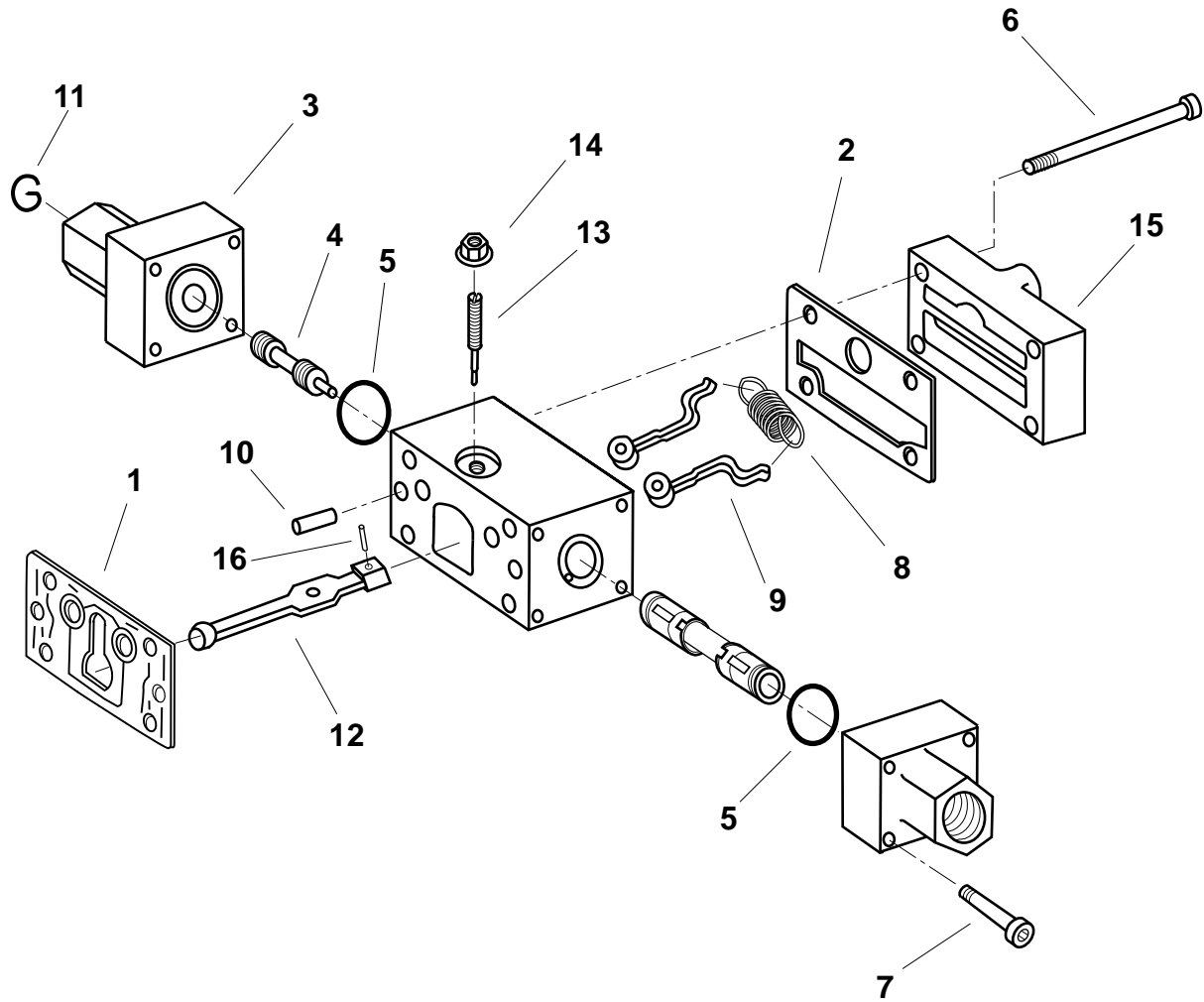
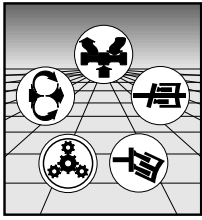
REXROTH CORPORATION

MOBILE HYDRAULICS DIVISION

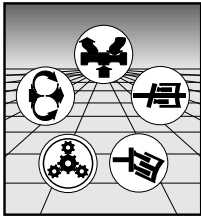
Assembly Number
5420-430-012

Item	Description	Qty	Part Number	
1	Port Block Housing	1	5420-430-010	
2	Rear Shaft Bearing	1	H153189	
3	Charge Pump Coupling	1	H079257	
4	Plug (SAE 3/4 -16)	2	76107-008	
5	P.O.R C/V Ass'y	2	H079500	
6	Plug (SAE 7/16 -20)	2	76107-004	
7	Cap Screw (M14 x 70 DIN 912-10.9)	4	60119-166	
8	Spring Pin (M12 x 10 DIN -7346)	1	69119-185	
9	O-Ring (70 Duro Buna PRP-234)	1	68101-234	*
10	Ext. Retaining Ring (DIN -7993)	1	71130-012	
11	Quad Ring (90 Duro PRP-4015)	2	62104-014	*
12	Socket Head Plug (M10 x 1.0)	1	76117-005	

* Contained in Buna Seal Kit 5420-635-002



Assembly Number
5421-552-001



REXROTH CORPORATION

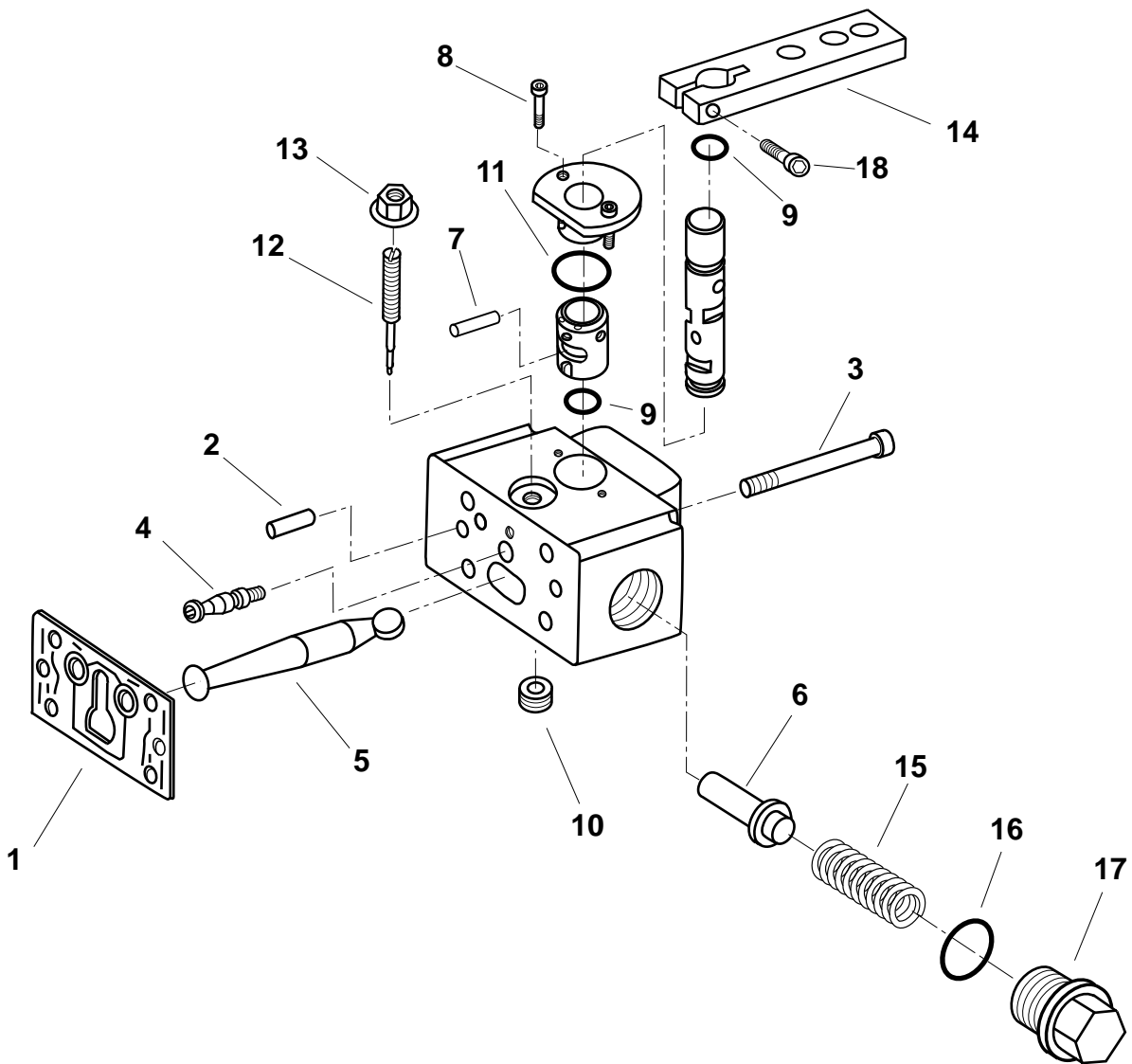
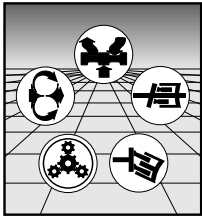
MOBILE HYDRAULICS DIVISION

Assembly Number
5421-552-001

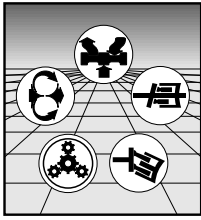
Item	Description	Qty	Part Number	
1	Control Module Gasket	1	5400-082-001	*
2	Cover Gasket	1	5400-082-002	*
3	Bonnet	2	H401760	
4	Piston	2	H413580	
5	O-Ring (70 Duro Buna PRP- 018)	2	68101-018	*
6	Cap Screw (M6 x 55 DIN 912 -8.8)	4	60118-066	❖
7	Cap Screw (M4 x 20 DIN 912 -8.8)	8	60118-020	
8	Spring	1	H432234	
9	Lever Arms	2	H417155	
10	Dowel Pin (6 x 14 mm DIN 6325)	2	69116-005	
11	Retaining Ring	2	H156539	
12	Feedback Lever	1	H408299	
13	Eccentric Pin	1	H071521	
14	Seal Nut (M6)	1	65110-003	*
15	Rear Cover	1	H071512	❖
16	Pin	1	H151552	

* Contained in Buna Seal Kit 5420-635-002

❖ These items are not used with POR. Use bolts listed with POR Ass'y.



Assembly Number
5422-552-001



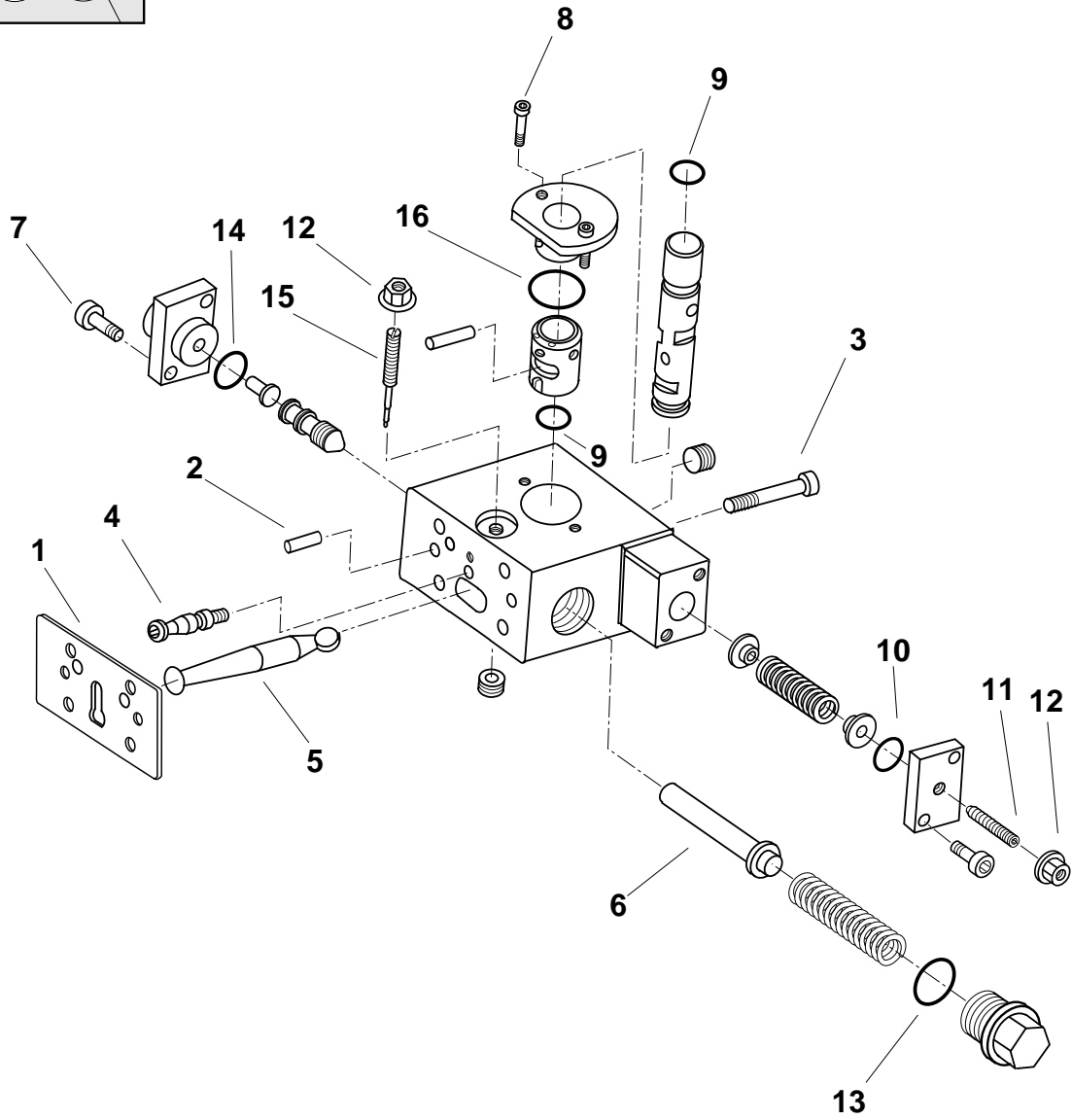
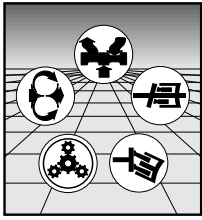
REXROTH CORPORATION

MOBILE HYDRAULICS DIVISION

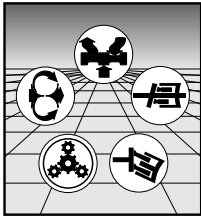
Assembly Number
5422-552-001

Item	Description	Qty	Part Number	
1	Control Module Gasket	1	5400-082-001	*
2	Dowel Pin (M6 x 14 DIN 6325)	2	H087338	
3	Cap Screw (M6 x 50 DIN 912-8.8)	4	60118-065	
4	Center Pin	1	H071389	
5	Feed Back Lever	1	H431255	
6	Plunger	2	H400334	
7	Dowell Pin	1	H156217	
8	Cap Screw (M5 X 10 DIN 912-8.8)	2	60118-032	
9	O-Ring (70 Duro Buna PRP-012)	2	68101-012	*
10	Plug	1	H071521	
11	O-Ring (70 Duro Buna PRP-019)	1	68101-019	*
12	Eccentric	1	H071520	
13	Seal Nut (M6 x 1)	1	65110-003	*
14	Control Lever	1	5402-063-001	
15	Spring	2	H416191	
16	O-Ring (90 Duro Buna PRP-115)	2	68104-115	*
17	Plug	2	H400335	
18	Cap Screw	1	60118-037	

* Contained in Buna Seal Kit 5420-635-002



Assembly Number
5422-552-002



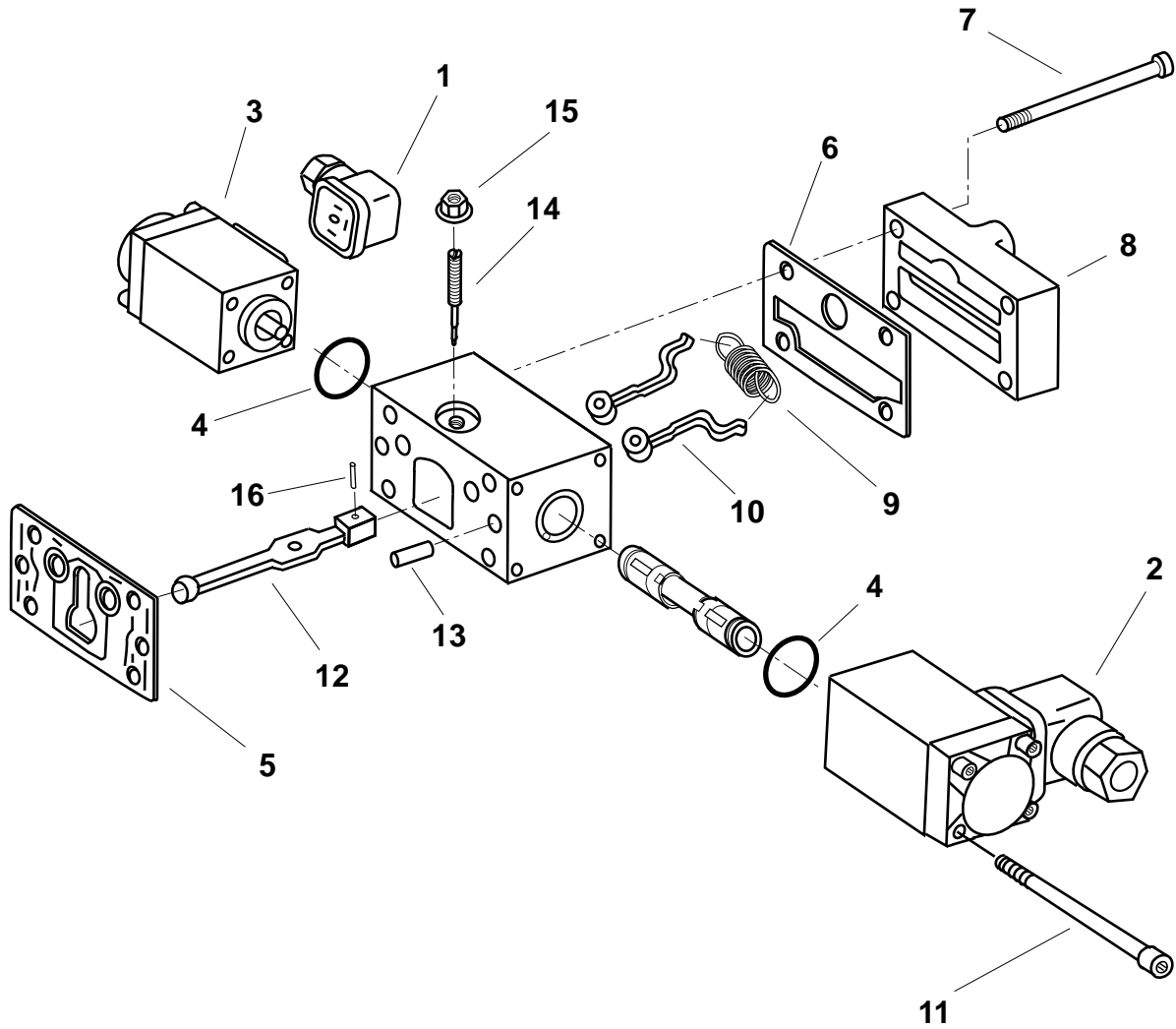
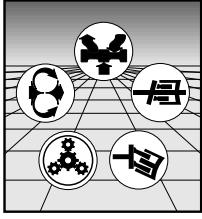
REXROTH CORPORATION

MOBILE HYDRAULICS DIVISION

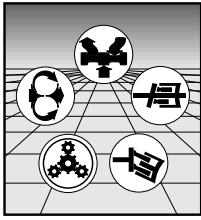
Assembly Number
5422-552-002

Item	Description	Qty	Part Number	
1	Control Module Gasket	1	5400-082-001	*
2	Dowel Pin (6 x 14 mm DIN 6325)	2	69116-005	
3	Cap Screw (M6 x 70 DIN 912-8.8)	4	60118-069	
4	Center Pin	1	H425121	
5	Feedback Lever	1	H431255	
6	Push Pin	2	H425120	
7	Cap Screw (M5 x 12 DIN 912-8.8)	4	60118-033	
8	Cap Screw (M5 x 10 DIN 6912-8.8)	2	60140-010	
9	O-Ring (70 Duro Buna PRP-012)	2	68101-012	*
10	O-Ring (70 Dura Buna PRP-016)	1	68101-016	*
11	Adjusting Screw (M6 x 35 DIN 914-10.9)	1	60136-047	
12	Seal Nut (M6)	2	65110-003	*
13	O-Ring (90 Duro Buna PRP-115)	2	68104-115	*
14	O-Ring (70 Duro Buna PRP-017)	1	68101-017	*
15	Eccentric Pin	1	H079473	
16	O-Ring (70 Duro Buna PRP-019)	1	68101-019	*

* Contained in Buna Seal Kit 5420-635-002



Assembly Number
5423-552-001



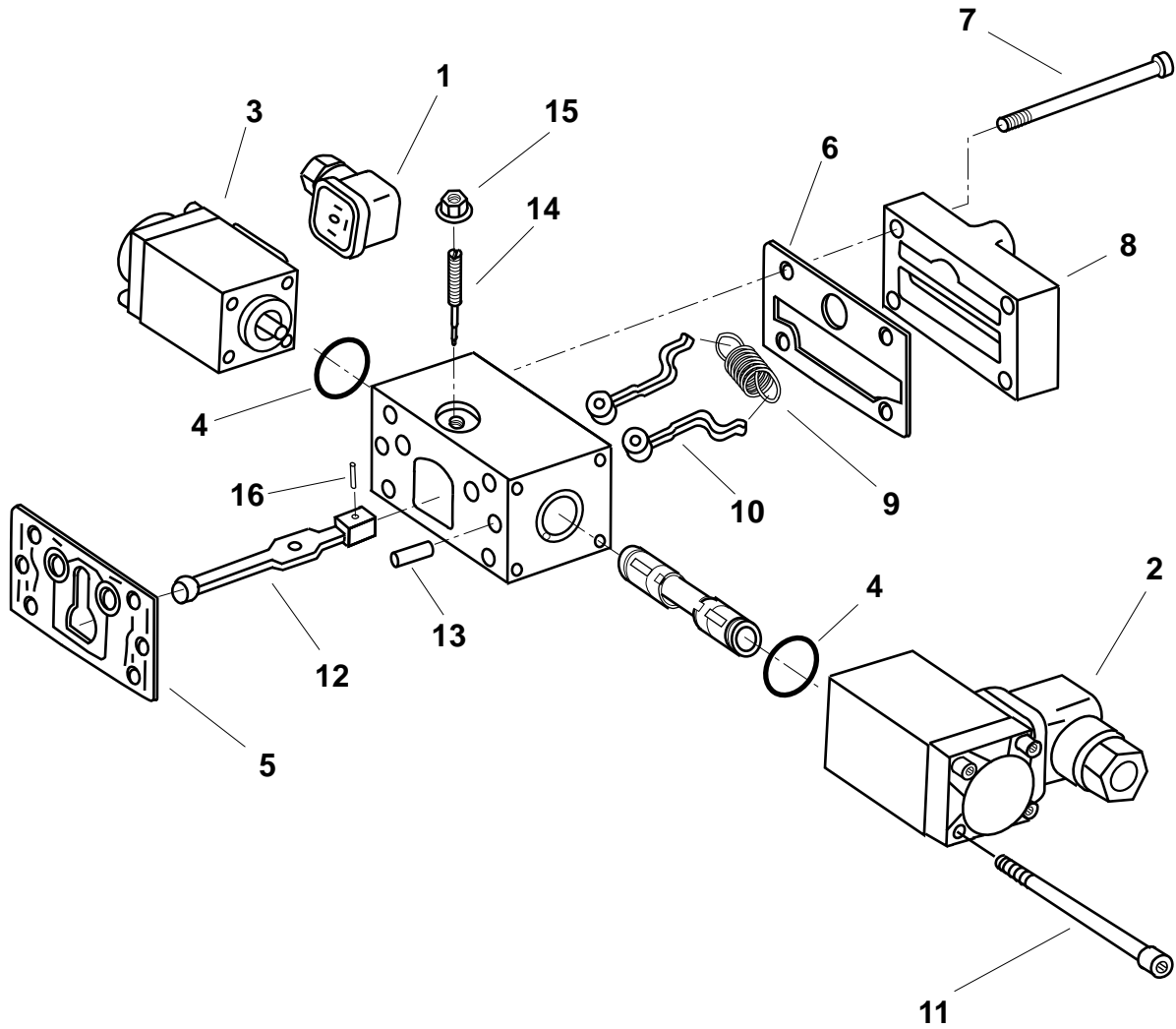
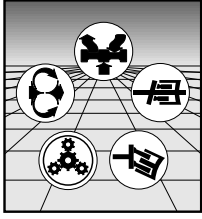
REXROTH CORPORATION

MOBILE HYDRAULICS DIVISION

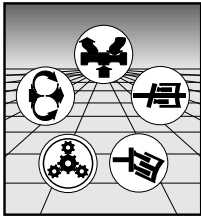
Assembly Number
5423-552-001

Item	Description	Qty	Part Number	
1	Hershman Connector (Gray)	1	5400-085-001	
2	Hershman Connector (Black)	1	5400-085-002	
3	Solenoid-Prop. 24V	2	5403-580-001	
4	O-Ring (70 Duro Buna PRP-018)	2	68101-018	*
5	Control Gasket	1	5400-082-001	*
6	Control Gasket	1	5400-082-002	*
7	Cap Screw (M6 x 55 DIN 912-8.8)	4	60118-066	
8	Rear Cover	1	H071512	
9	Feedback Spring	1	H413287	
10	Control Arms	2	H417155	
11	Cap Screw (M4 x 70 DIN 912-8.8)	8	60118-341	
12	Feedback Lever	1	H408299	
13	Dowel Pin (6 x 14 mm DIN 6325)	2	69116-005	
14	Eccentric Screw	1	H071520	
15	Seal Nut (M6)	1	65110-003	*
16	Pin (3 x 11 DIN 5402)	1	H151552	

* Contained in Buna Seal Kit 5420-635-002



Assembly Number
5423-552-002



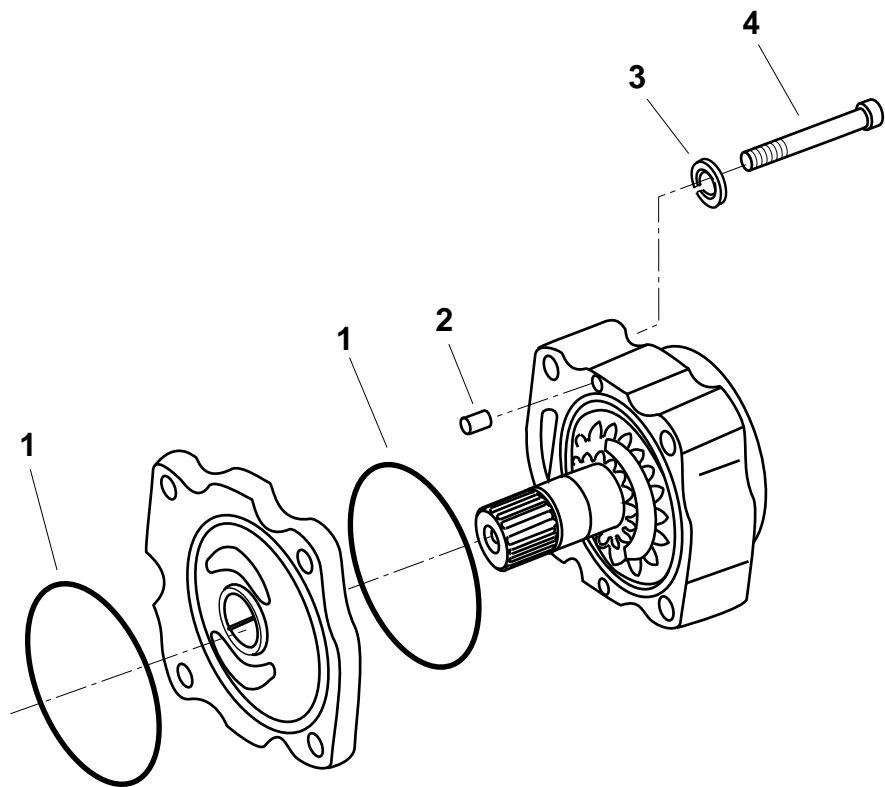
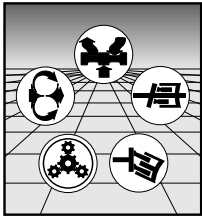
REXROTH CORPORATION

MOBILE HYDRAULICS DIVISION

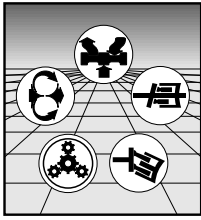
Assembly Number
5423-552-002

Item	Description	Qty	Part Number	
1	Hershman Connector (Gray)	1	5400-085-001	
2	Hershman Connector (Black)	1	5400-085-002	
3	Solenoid-Prop. 12V	2	5403-580-002	
4	O-Ring (70 Duro Buna PRP-018)	2	68101-018	*
5	Control Gasket	1	5400-082-001	*
6	Control Gasket	1	5400-082-002	*
7	Cap Screw (M6 x 55 DIN 912-8.8)	4	60118-066	
8	Rear Cover	1	H071512	
9	Feedback Spring	1	H413287	
10	Control Arms	2	H417155	
11	Cap Screw (M4 x 70 DIN 912-8.8)	8	60118-341	
12	Feedback Lever	1	H408299	
13	Dowel Pin (6 x 14 mm DIN 6325)	2	69116-005	
14	Eccentric Screw	1	H071520	
15	Seal Nut (M6)	1	65110-003	*
16	Pin (3 x 11 DIN 5402)	1	H151552	

* Contained in Buna Seal Kit 5420-635-002



Assembly Number
5420-430-001



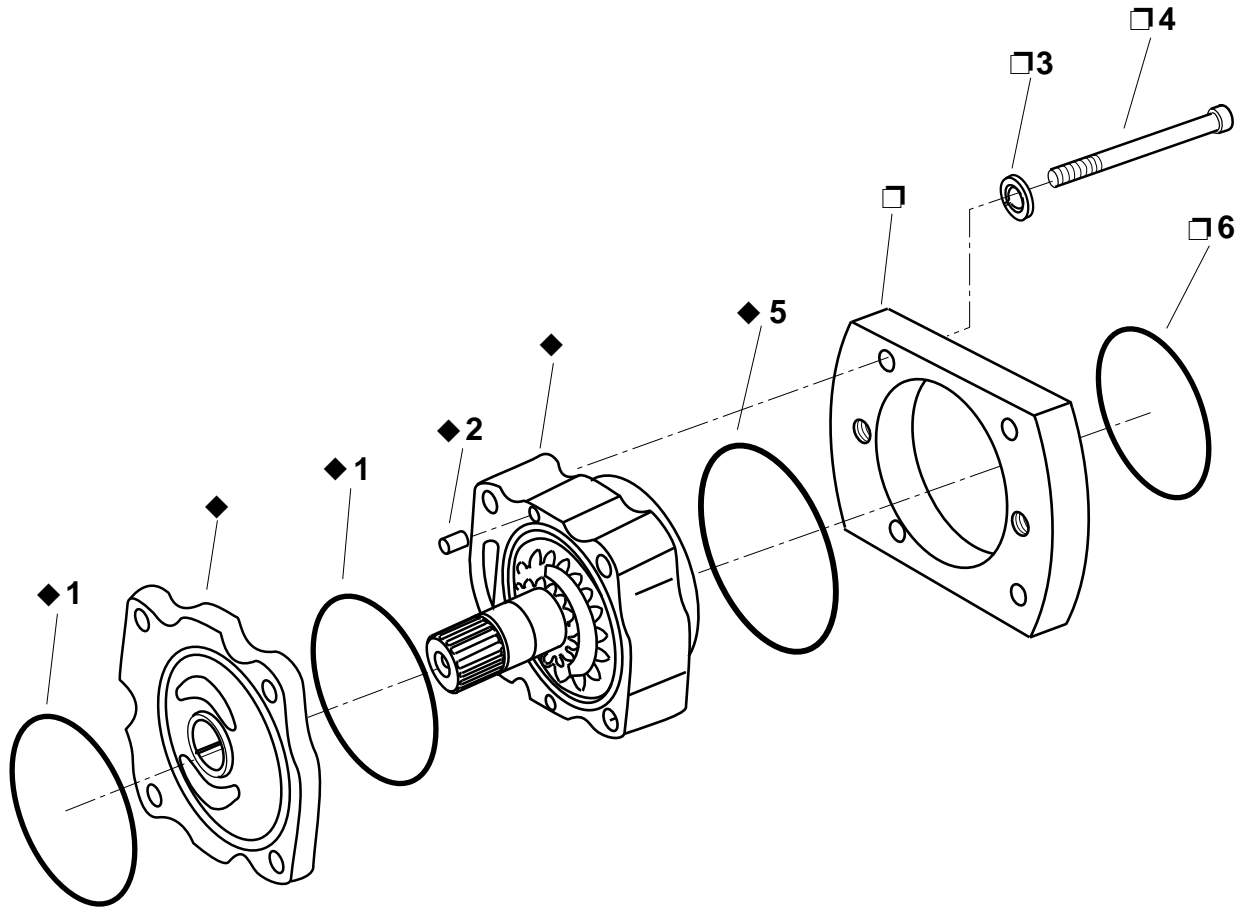
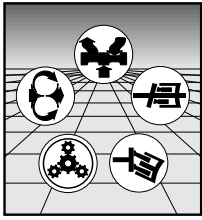
REXROTH CORPORATION

MOBILE HYDRAULICS DIVISION

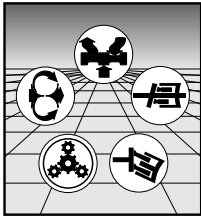
Assembly Number
5420-430-001

Item	Description	Qty	Part Number	
1	O-Ring (70 Duro Buna PRP-040)	2	68101-040	*
2	Dowell Pin (6 x 20 mm DIN 6325)	2	69115-003	
3	Lock Washer (M8 DIN 7890)	4	61116-003	
4	Cap Screw (M8 x 50 DIN 912-8.8)	4	60118-088	

* Contained in Buna Seal Kit 5420-635-002



Assembly Number
5420-635-003



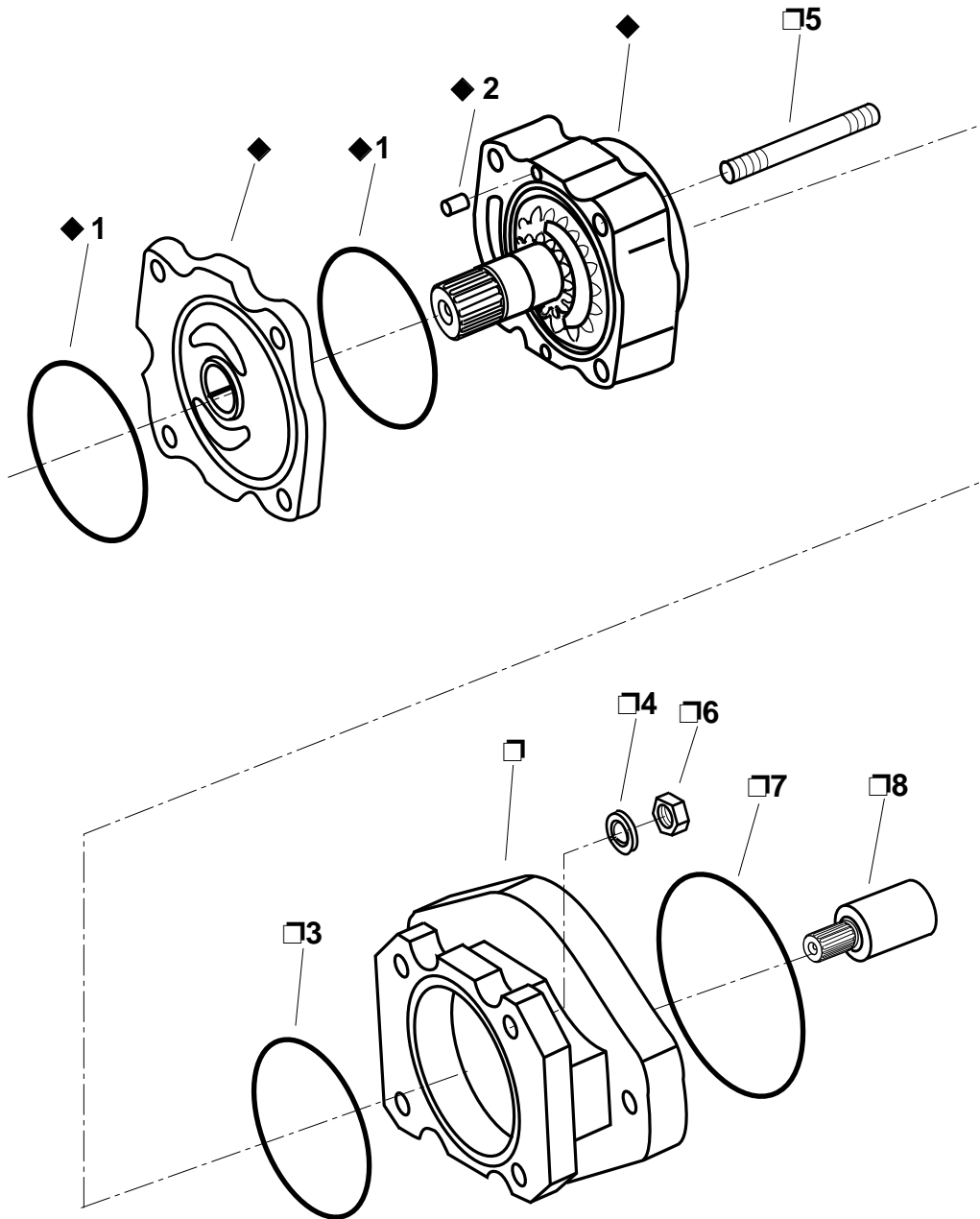
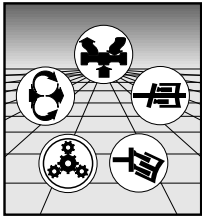
REXROTH CORPORATION

MOBILE HYDRAULICS DIVISION

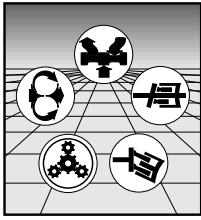
Assembly Number
5420-635-003

Item	Description	Qty	Part Number	
1	O-Ring (70 Duro Buna PRP-040)	2	68101-040	*
2	Dowel Pin (M6 x 10 DIN 7)	2	69115-003	
3	Lock Washer (M8 DIN 7980)	4	61116-003	
4	Cap Screw (M8 x 55 DIN 912- 8.8)	4	60118-089	
5	O-Ring (70 Duro Buna PRP-150)	1	68101-150	*
6	O-Ring (70 Duro Buna PRP-042)	1	68101-042	*

- * Contained in Buna Seal Kit 5420-635-002
- ◆ These items are contained in 5420-430-003
- These items are contained in 5420-635-008



Assembly Number
5420-635-010



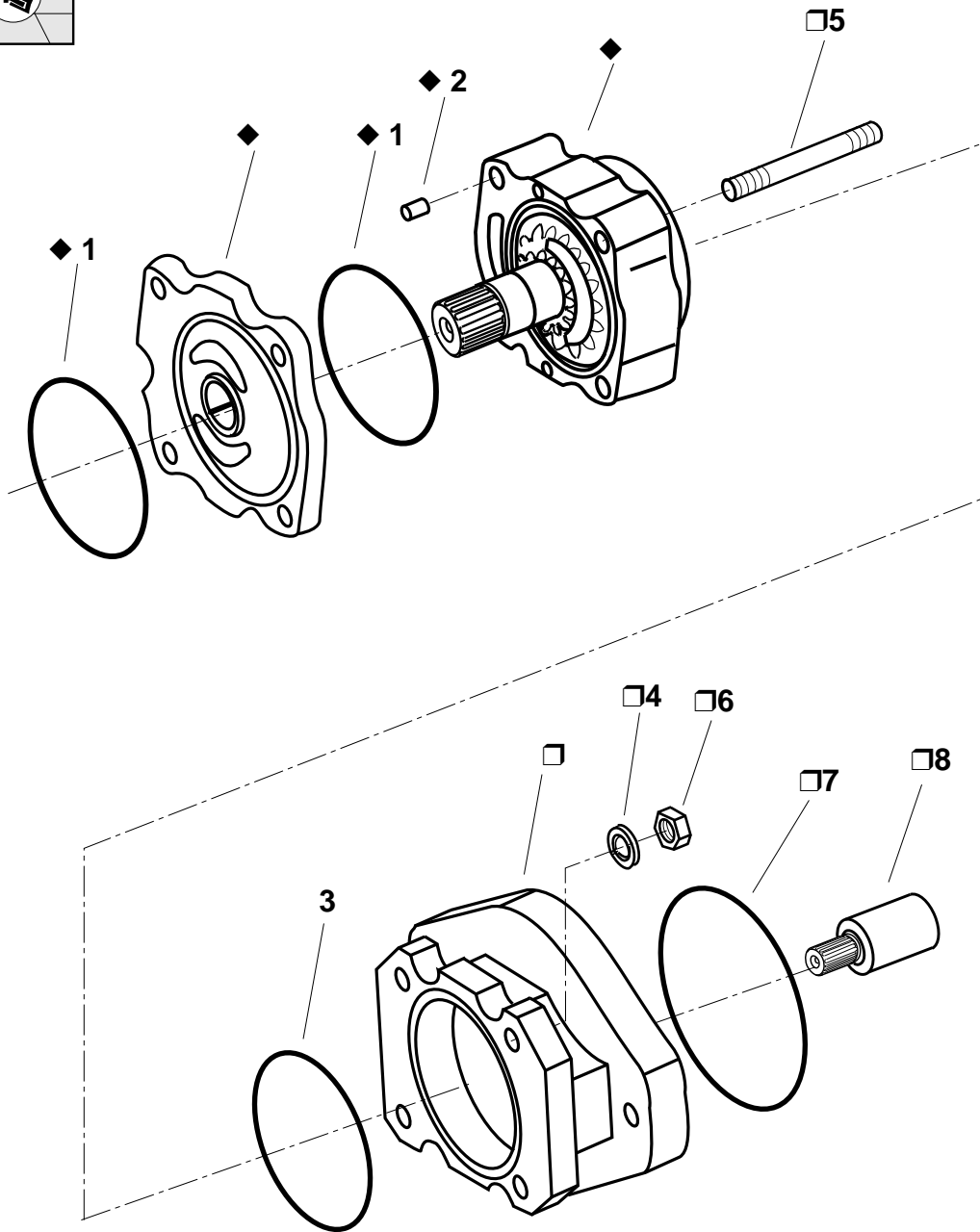
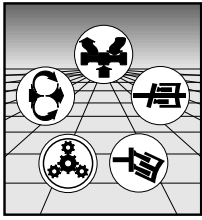
REXROTH CORPORATION

MOBILE HYDRAULICS DIVISION

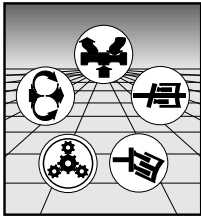
Assembly Number
5420-635-010

Item	Description	Qty	Part Number	
1	O-Ring (70 Duro Buna PRP-040)	2	68101-040	*
2	Dowell Pin (6 x 20 mm DIN 6325)	2	69115-003	
3	O-Ring (70 Duro Buna PRP-150)	1	68101-150	*
4	Lock Washer (M8 DIN 7890)	4	61116-003	
5	Stud (M8 x 65 DIN 912-8.8)	4	H154623	
6	Hex Nut (M8 DIN 934)	4	65111-003	
7	O-Ring (70 Duro Buna PRP-045)	1	68101-045	*
8	Coupling Splined (SAE B)	1	5400-065-001	

- * Contained in Buna Seal Kit 5420-635-002
- ◆ These Parts included in 5420-430-004
- These Parts included in 5420-635-009



Assembly Number
5420-635-011



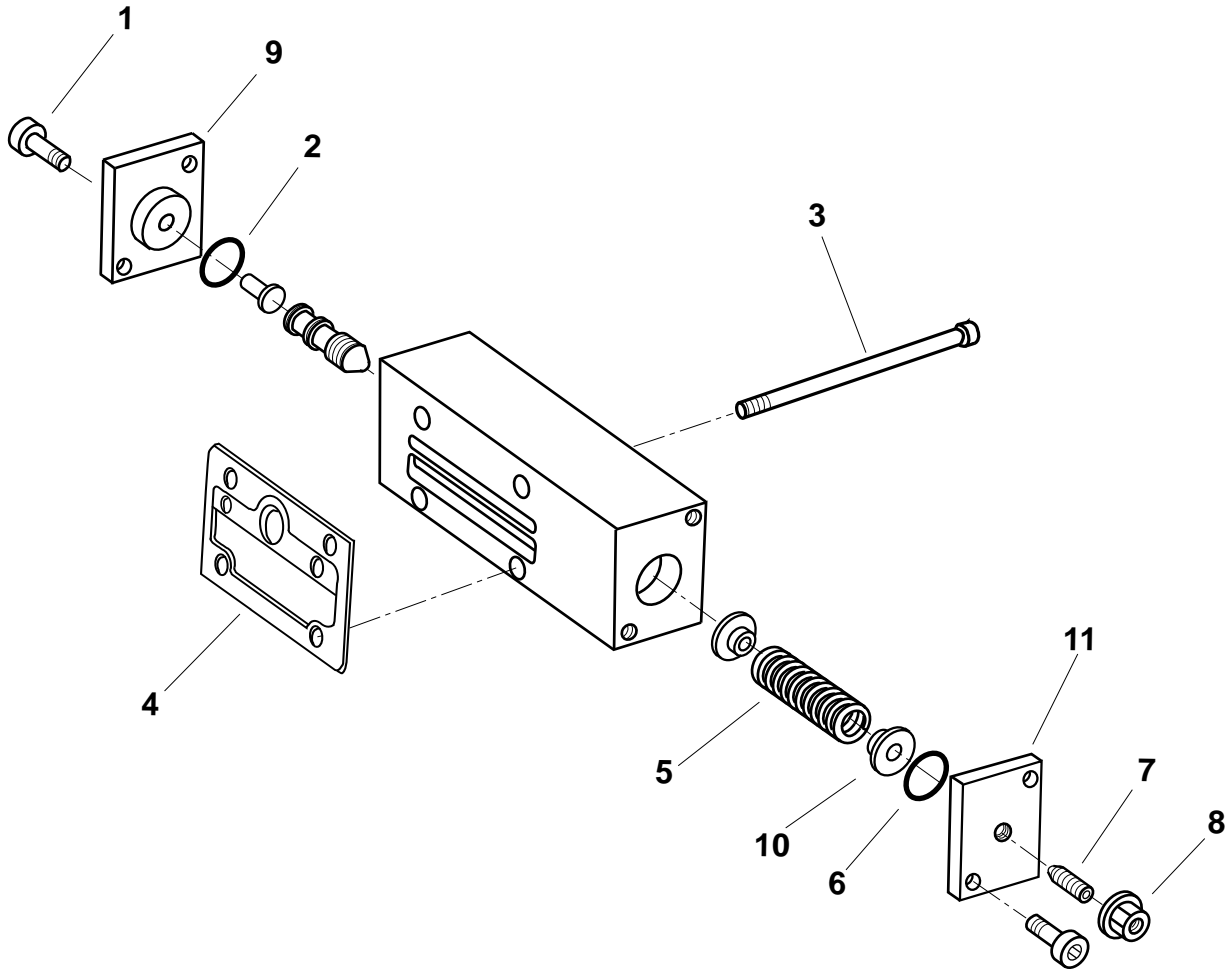
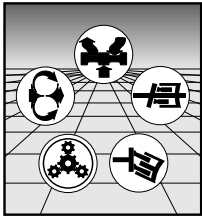
REXROTH CORPORATION

MOBILE HYDRAULICS DIVISION

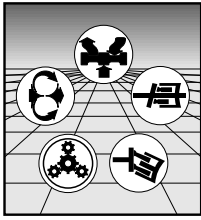
Assembly Number
5420-635-011

Item	Description	Qty	Part Number	
1	O-Ring (70 Duro Buna PRP-040)	2	68101-040	*
2	Dowell Pin (6 x 20 mm DIN 6325)	2	69115-003	
3	O-Ring (70 Duro Buna PRP-150)	1	68101-150	*
4	Lock Washer (M8 DIN 7890)	4	61116-003	
5	Stud (M8 x 65 DIN 912-8.8)	4	H154623	
6	Hex Nut (M8 DIN 934)	4	65111-003	
7	O-Ring (70 Duro Buna PRP-045)	1	68101-045	*
8	Coupling Splined (SAE B-B)	1	5400-065-003	

- * Contained in Buna Seal Kit 5420-635-002
- ◆ These Parts included in 5420-430-004
- These Parts included in 5420-635-012



Assembly Number
5400-635-005



REXROTH CORPORATION

MOBILE HYDRAULICS DIVISION

Assembly Number
5400-635-005

Item	Description	Qty	Part Number	
1	Cap Screw (M5 x 12 DIN 912-8.8)	4	60118-033	
2	O-Ring (70 Duro Buna PRP-017)	1	68101-017	*
3	Cap Screw (M6 x 70 DIN 912-8.8)	4	60118-092	
4	Control Module Gasket	1	5400-082-002	*
5	Spring	1	H420972	
6	O-Ring (70 Duro Buna PRP-016)	1	68101-016	*
7	Adjusting Screw (M6 x 25 DIN 914-10.9)	1	60136-002	
8	Seal Nut (M6)	1	65110-003	*
9	Cover	1	H404572	
10	Spring Collar	4	H420971	
11	Cover	1	H404507	

* Contained in Buna Seal Kit 5420-635-002

Variable Pump AA4V, Series 1

Specifications, descriptions, and illustrative material shown herein were as accurate as know at the time this publication was printed. Rexroth reserves the right to discontinue models or options at any time or to change specifications, materials, or designs without notice and without incurring obligation.

DISTRIBUTED BY: