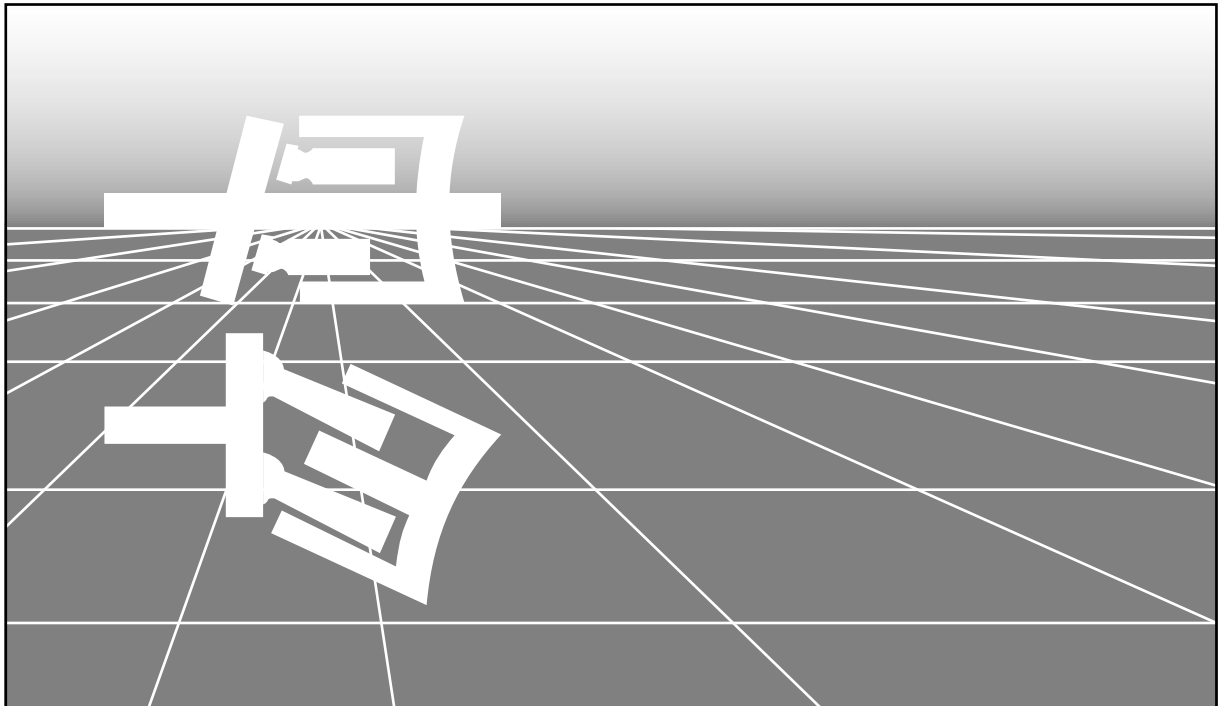


Service Parts List
AA4V90
Series 1



Ordering of AA4V Parts

For Rexroth to supply the correct parts for your unit, please include all of the following information with your parts order.

TYPE CODE
TYPE NUMBER
SERIAL NUMBER
PART NUMBER
PART NAME

Due to modifications and improvements to our products, minor changes can occur to the parts, even though the type code may not necessarily reflect these changes. The type number and serial number will guarantee that the correct parts for your unit are supplied.

HYDROMATIK GMBH ULM (DONAU)		
THE REXROTH CORP., WOOSTER, OHIO		
TYPE AA4V90HD1R30101		
NO 233.22.15.23		
SERIAL NO. 1127809	YEAR 10.90	MINERAL OIL
MADE IN W. GERMANY		
ROTATION		

ORDERING EXAMPLE

To order a replacement charge pump for an AA4V hydrostatic transmission pump having the above nameplate, the following information would be required.

+ Type Code	AA4V90HD1R30101
+ Type Number	233.22.15.23
+ Serial Number	1127809
* Part Number	5440-430-001
* Part Name	Charge Pump

+ This information is taken from the nameplate on the pump.

* This information is taken from the Service Parts List.

Rotary Groups.....Page 6-9

Housing.....10-11

Stroking Piston.....12-13

Port Block.....14-15

HD Control.....16-17

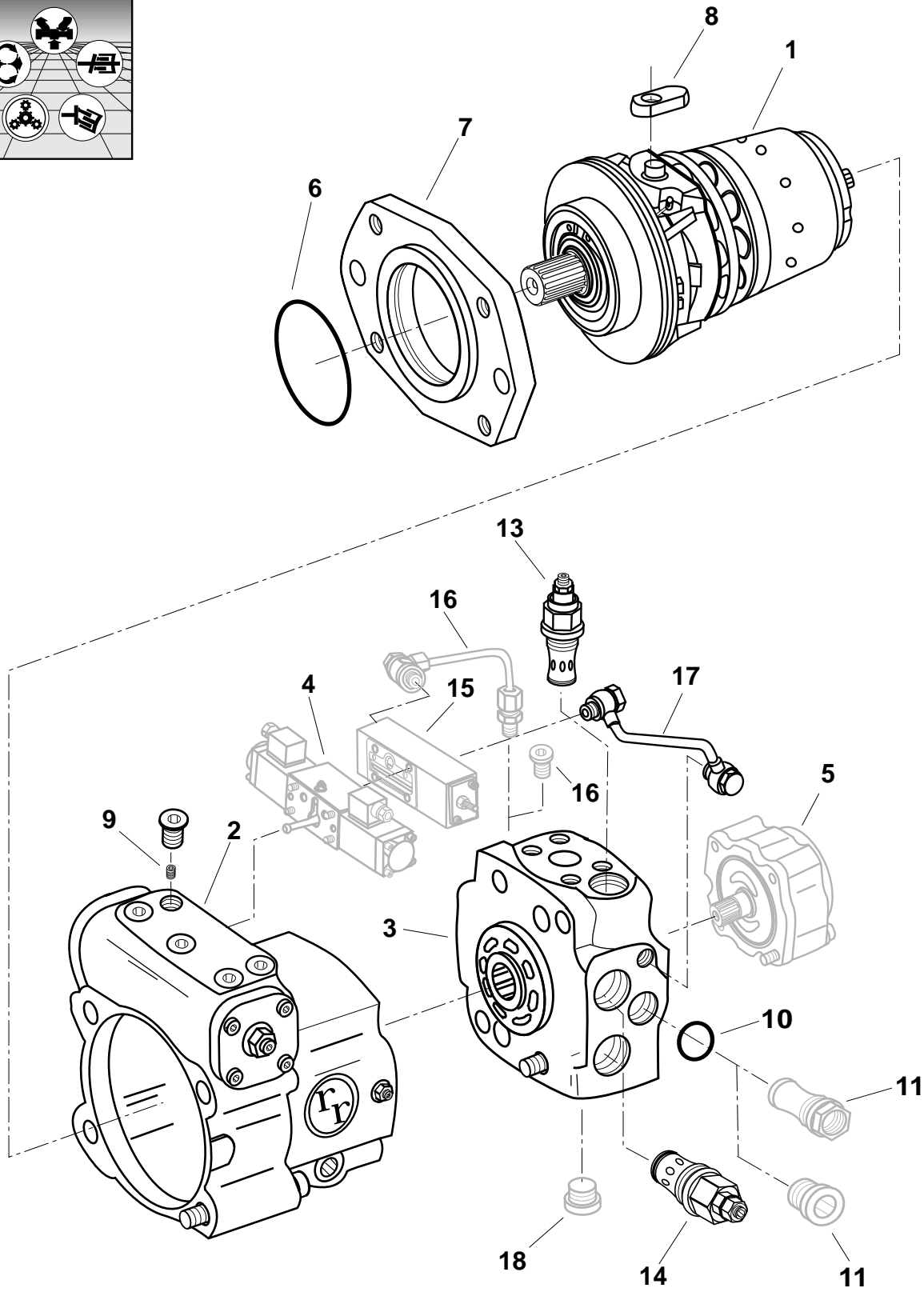
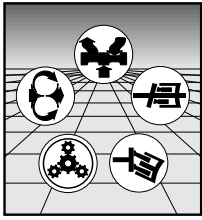
HW Controls.....18-21

EL Controls.....22-25

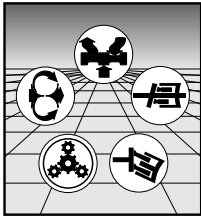
Charge Pump.....26-27

Thru-Drives.....28-35

P.O.R.....36-37



Assembly Number
AA4V90



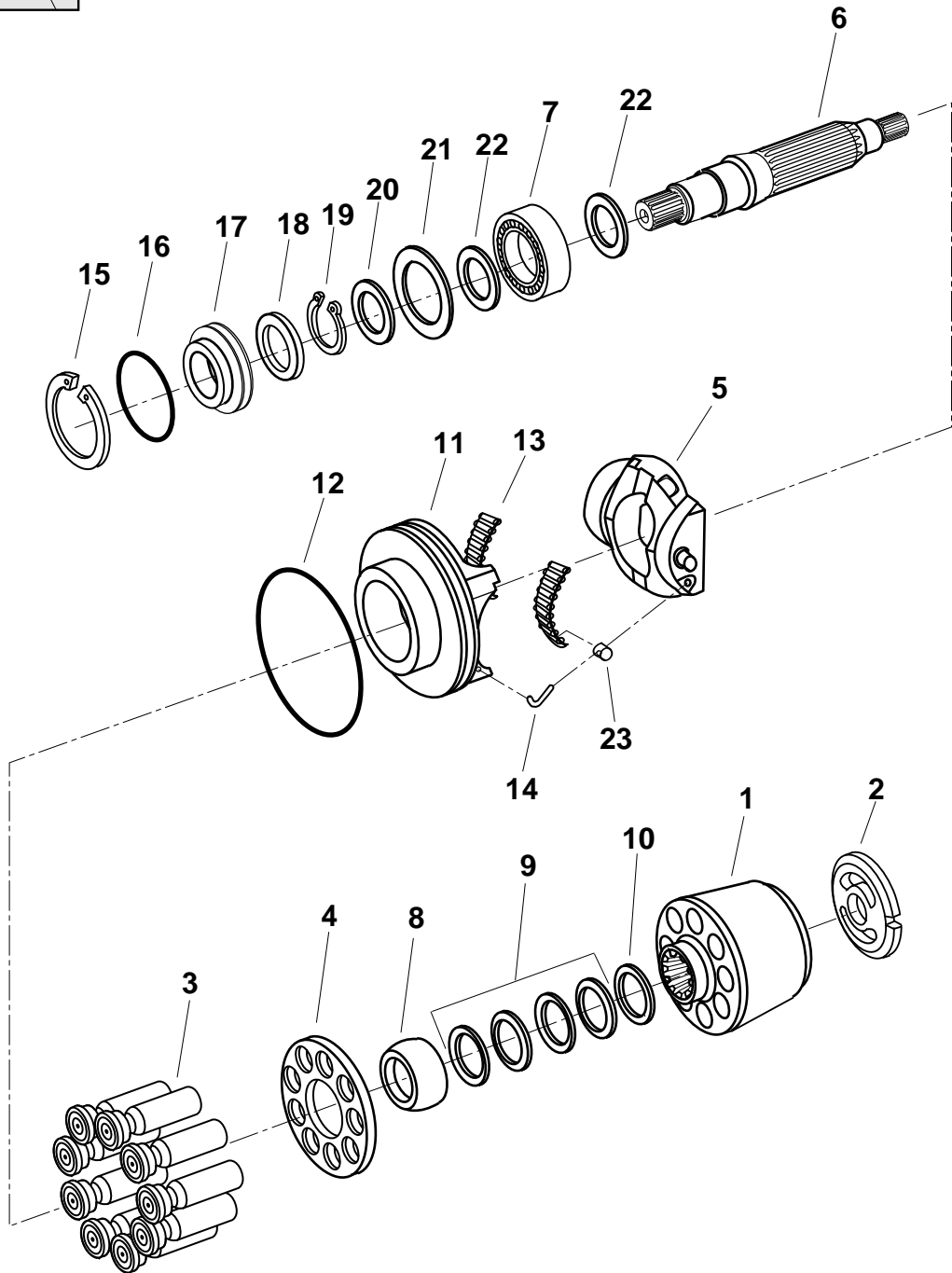
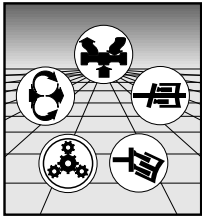
REXROTH CORPORATION

MOBILE HYDRAULICS DIVISION

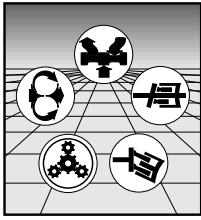
Assembly Number
AA4V90

Item	Description	Qty	Part Number	
1	Rotary - Group Assembly CW	1	5440-570-003	
1	Rotary - Group Assembly CCW	1	5440-570-004	
2	Housing Assembly	1	5440-566-009	
3	Port Block Assembly	1	5440-430-014	
4	HD Control Assembly	1	5441-552-001	
4	HW Control Assembly	1	5442-552-001	
4	HW Control Assembly with Integral POR	1	5442-552-002	
4	EL Control Ass'y (24 Volts Proportional)	1	5443-552-001	
4	EL Control Ass'y (12 Volts Proportional)	1	5443-552-002	
5	Charge Pump	1	5440-430-001	
5	Charge Pump "A" Thru Drive Assembly	1	5440-635-003	
5	Charge Pump "B" Thru Drive Assembly	1	5440-635-005	
5	Charge Pump "B-B" Thru Drive Assembly	1	5440-635-012	
5	Charge Pump "C" Thru Drive Assembly	1	5440-635-015	
6	O-Ring (70 Duro Buna PRP-242)	1	68101-242	*
7	Front Flange	1	H401635	
8	Slide Block	1	H074171	
9	Stroking Time Orifice (0.8 mm)	2	H156492	
9	Stroking Time Orifice (1.0 mm)	2	H156493	
9	Stroking Time Orifice (1.2 mm)	2	H156494	
9	Stroking Time Orifice (1.4 mm)	2	H156495	
10	O-Ring (90 Duro Buna PRP-123)	1	68101-123	*
11	Charge Filter Adapter Sleeve	1	5440-083-001	
11	Plug (M33 x 2 DIN 908-5.8)	1	76118-003	
13	Charge Pump R/V Assembly	1	5440-566-007	
14	Main R/V Assembly (2600-6000 psi range)	2	5400-566-012	
15	POR Assembly	1	5400-635-005	
16	POR Pipe	1	5440-635-007	
16	Plug (M12 x 1.5)	1	76116-002	
17	Control Pipe HD & EL without POR	1	5440-635-001	
17	Control Pipe HD, HW & EL with POR	1	5440-635-004	
17	Control Pipe HW without POR	1	5442-635-001	
18	Plug (SAE 1 1/16-12)	1	76107-012	

* Contained in Buna Seal Kit 5440-635-002



Assembly Number
5440-570-003



REXROTH CORPORATION

MOBILE HYDRAULICS DIVISION

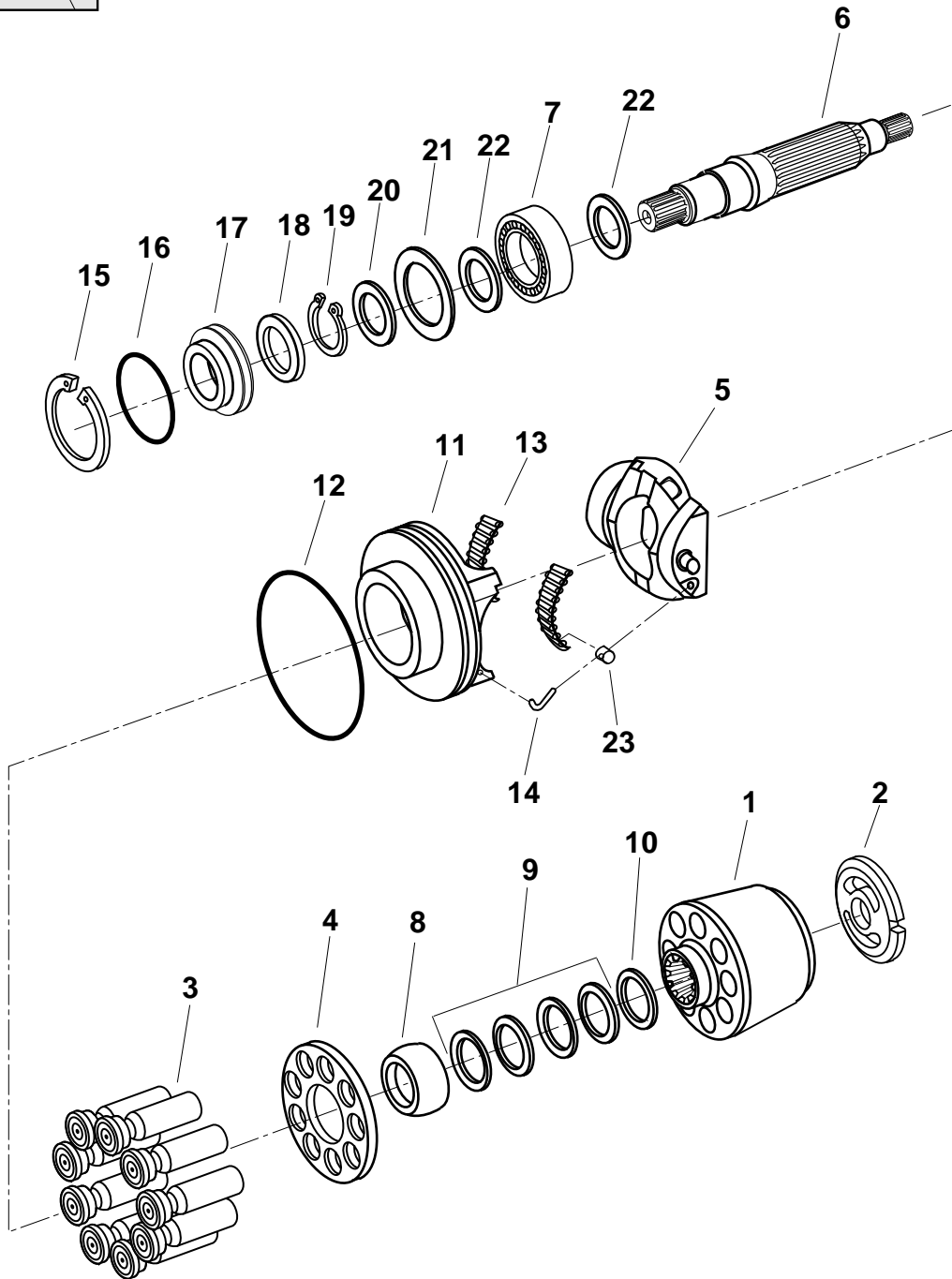
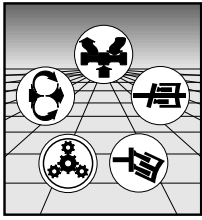
Assembly Number
5440-570-003

Item	Description	Qty	Part Number	
1	Barrel A4V90	1	H433318	☐
2	Control Lens CW	1	5440-049-007	☐
3	Piston	9	H443559	☐
4	Retaining Plate	1	H431016	☐
5	Swash Plate Assembly	1	5440-430-017	☐
6	Shaft SAE	1	H401630	
7	Roller Bearing	1	H153104	
8	Retaining Ball	1	H426458	☐
9	Belleville Washers	1	H074127	☐
10	Preload Shim (1.1 mm)	1	H080152	▲
10	Preload Shim (0.7 mm)	0	H080153	▲
10	Preload Shim (0.9 mm)	0	H412704	▲
10	Preload Shim (1.3 mm)	0	H412705	▲
11	Bearing Flange	1	H080295	
12	O-Ring (70 Duro Buna PRP-259)	1	68101-259	*
13	Cage Bearing (Set)	1	H154621	
14	Wire	2	H076233	
15	Int. Snap Ring (80 x 2.5 DIN 472)	1	71128-009	
16	O-Ring (70 Duro Buna PRP-150)	1	68101-150	*
17	Front Cover	1	H069366	
18	Shaft Seal (Buna-N)	1	5000-076-015	*
19	Ext. Snap Ring (40 x 1.75 DIN 471)	1	71119-009	
20	Shim	1	H086230	
21	Shim	1	H084586	
22	Supporting Disk	2	H086229	
23	Bearing Retainer Bushing	2	H401842	

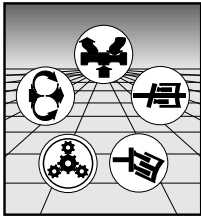
* Contained in Seal Kit 5440-635-002

▲ Select the correct Shim to set the Rotary Group preload

☐ Contained in Rotary Group Kit 5440-635-023.



Assembly Number
5440-570-004



REXROTH CORPORATION

MOBILE HYDRAULICS DIVISION

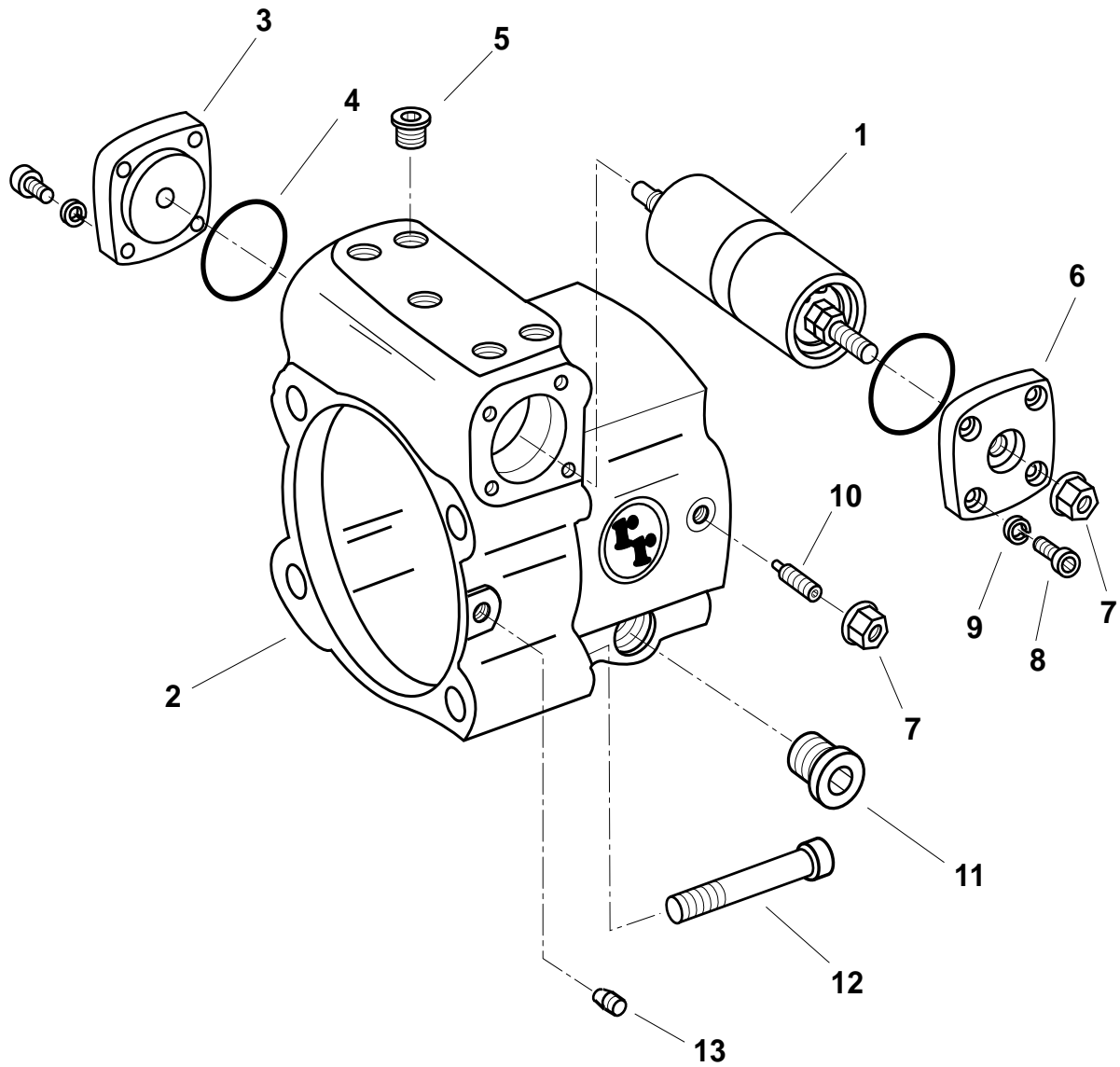
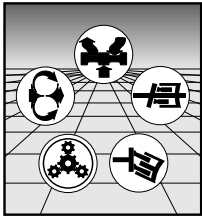
Assembly Number
5440-570-004

Item	Description	Qty	Part Number	
1	Barrel A4V90	1	H433318	☐
2	Control Lens CCW	1	5440-049-008	☐
3	Piston	9	H443559	☐
4	Retaining Plate	1	H431016	☐
5	Swash Plate Assembly	1	5440-430-017	☐
6	Shaft SAE	1	H401630	
7	Roller Bearing	1	H153104	
8	Retaining Ball	1	H426458	☐
9	Belleville Washers	1	H074127	☐
10	Preload Shim (1.1 mm)	1	H080152	▲
10	Preload Shim (0.7 mm)	0	H080153	▲
10	Preload Shim (0.9 mm)	0	H412704	▲
10	Preload Shim (1.3 mm)	0	H412705	▲
11	Bearing Flange	1	H080295	
12	O-Ring (70 Duro Buna PRP-259)	1	68101-259	*
13	Cage Bearing (Set)	1	H154621	
14	Wire	2	H076233	
15	Int. Snap Ring (80 x 2.5 DIN 472)	1	71128-009	
16	O-Ring (70 Duro Buna PRP-150)	1	68101-150	*
17	Front Cover	1	H069366	
18	Shaft Seal (Buna-N)	1	5000-076-015	*
19	Ext. Snap Ring (40 x 1.75 DIN 471)	1	71119-009	
20	Shim	1	H086230	
21	Shim	1	H084586	
22	Supporting Disk	2	H086229	
23	Bearing Retainer Bushing	2	H401842	

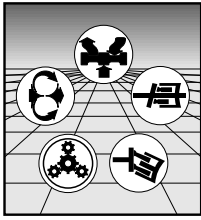
* Contained in Seal Kit 5440-635-002

▲ Select the correct Shim to set the Rotary Group preload

☐ Contained in Rotary Group Kit 5440-635-024



Assembly Number
5440-566-009



REXROTH CORPORATION

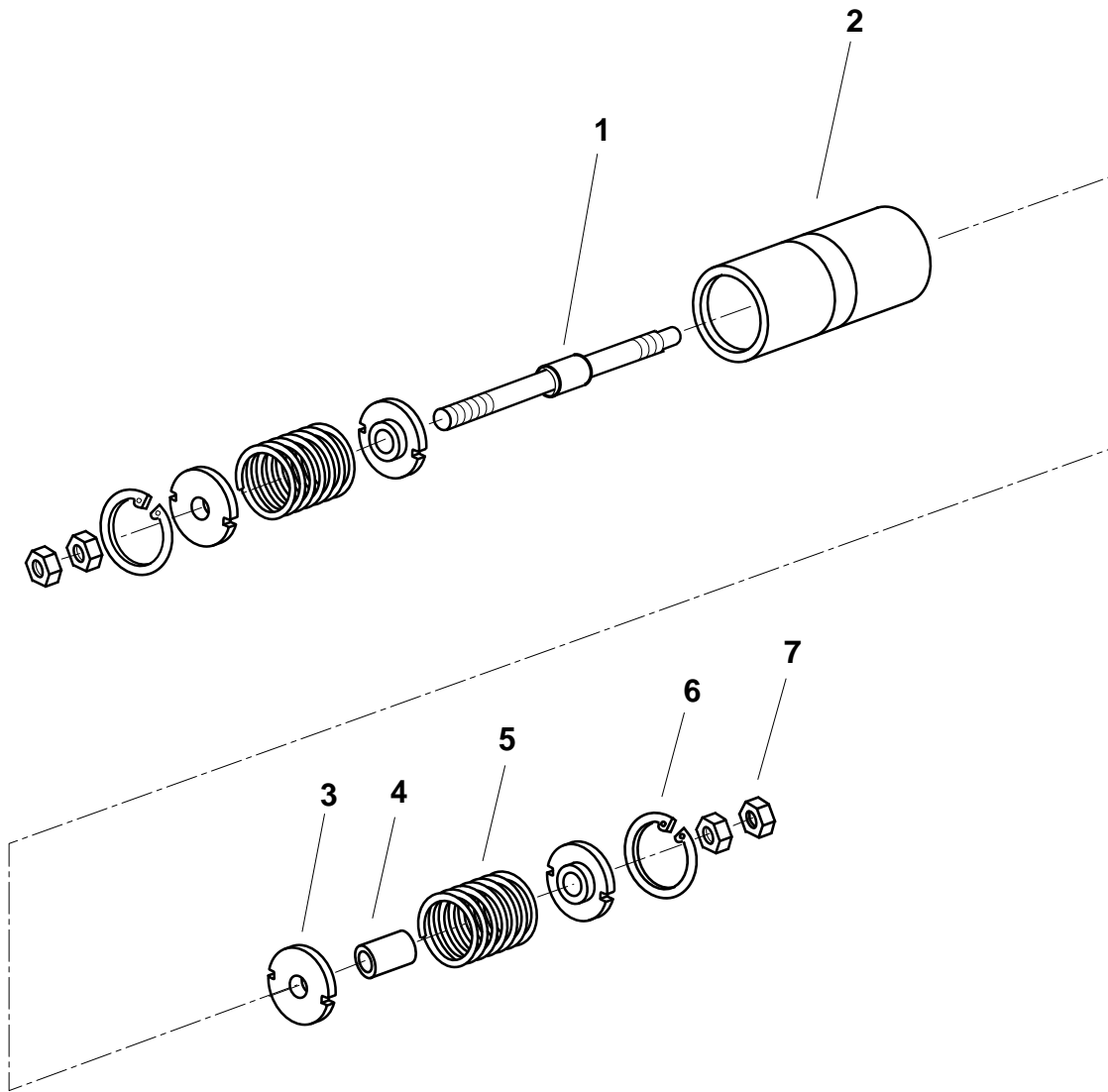
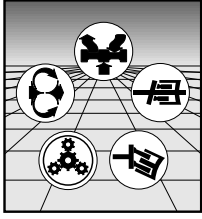
MOBILE HYDRAULICS DIVISION

Assembly Number
5440-566-009

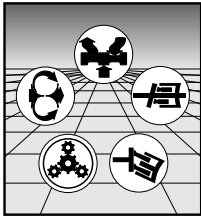
Item	Description	Qty	Part Number	
1	Stroking Piston Asssembly	1	5440-574-004	
2	Housing	1	5440-566-008	
3	Stroking Piston Cover	1	H414457	
4	O-Ring (70 Duro Buna PRP-140)	2	68101-140	*
5	Plug (SAE 7/16-20)	5	76107-004	
6	Stroking Piston Cover	1	H400427	
7	Seal Nut (M12 x 1.5)	2	65110-008	*
8	Cap Screw (M6 x 12 DIN 912 -8.8)	8	60118-054	
9	Lock Washer (M6 DIN 7980)	8	61116-002	
10	Eccentric Screw	1	H405758	
11	Plug (SAE 7/8-14)	1	76107-012	
12	Cap Screw (M16 x 80 DIN 912 -10.9)	4	60119-185	
13	Torsion Pin	1	H414045	▲
13	Torsion Pin	0	H414046	▲

* Contained in Seal Kit 5440-635-002

▲ Choose the correct Torsion Pin to fit the Cradle.



Assembly Number
5440-574-004

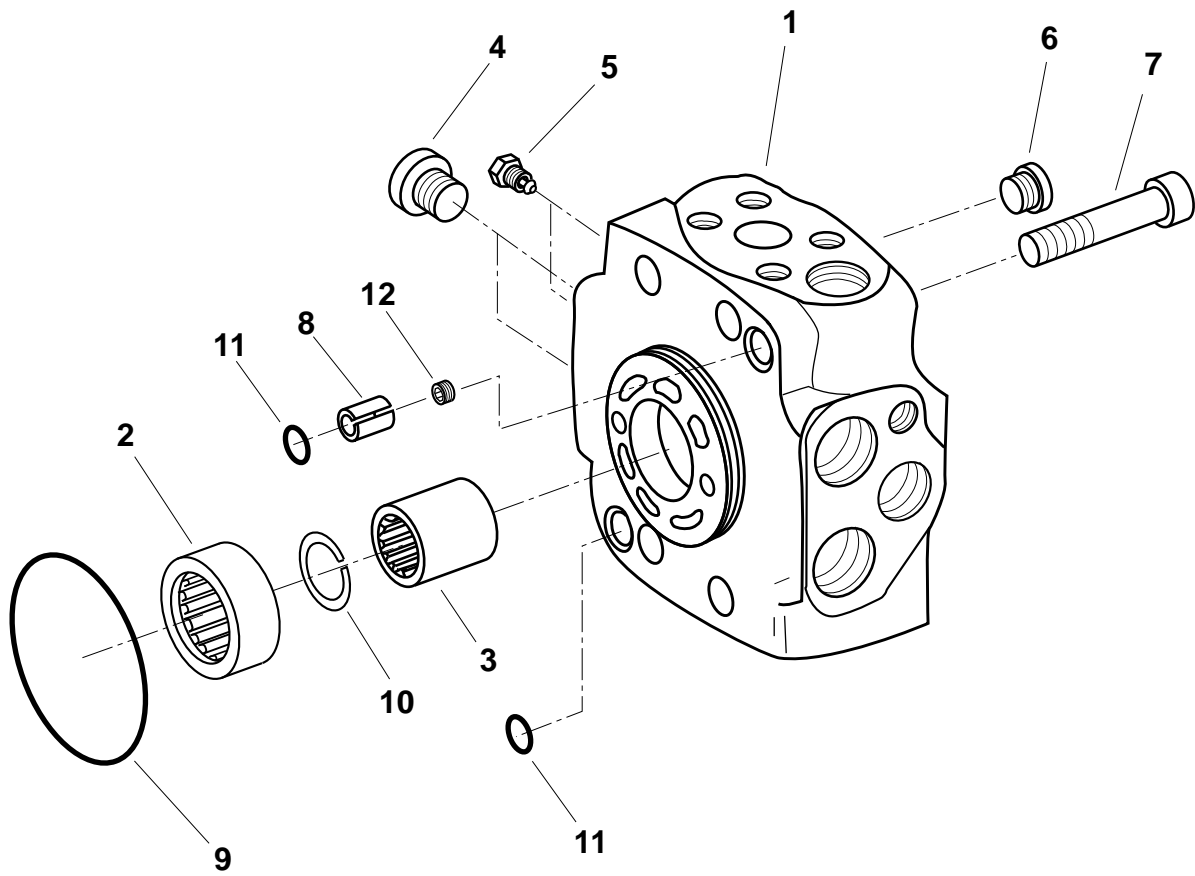
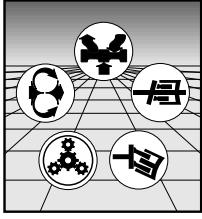


REXROTH CORPORATION

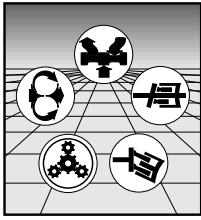
MOBILE HYDRAULICS DIVISION

Assembly Number
5440-574-004

Item	Description	Qty	Part Number	
1	Rod	1	H414461	
2	Piston	1	H400339	
3	Spring Collar with Bushing	4	H405998	
4	Spacer Bushing	1	H078355	
5	Spring	2	H422382	
6	Seeger-V-Ring	2	H156215	
7	Jam Nut (M12 x 1.5 DIN 439-04)	4	H154918	



Assembly Number
5440-430-014



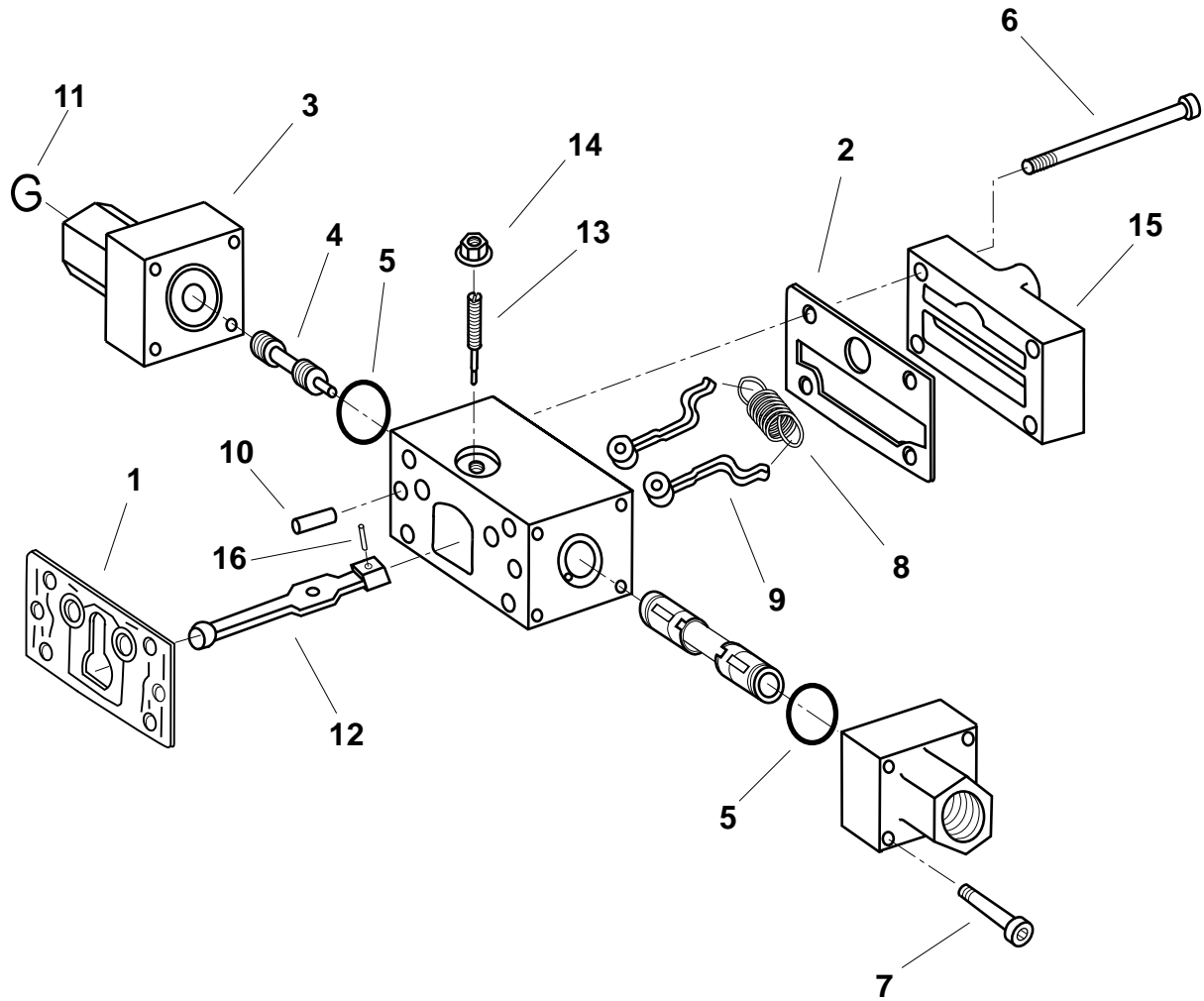
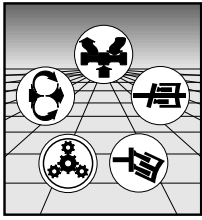
REXROTH CORPORATION

MOBILE HYDRAULICS DIVISION

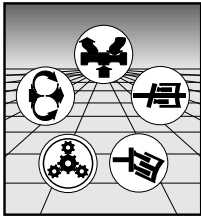
Assembly Number
5440-430-014

Item	Description	Qty	Part Number	
1	Port Block Housing	1	5440-430-015	
2	Rear Shaft Bearing	1	H153103	
3	Charge Pump Coupling	1	H078306	
4	Plug (SAE 3/4 -16)	2	76107-008	
5	P.O.R. Check Valve Assembly	2	H079500	
6	Plug (SAE 7/16-20)	2	76106-004	
7	Cap Screw (M16 x 90 DIN 912-10.9)	4	60119-186	
8	Spring Pin (M12 x 10 DIN 7346)	1	69119-365	
9	O-Ring (70 Duro Buna PRP-239)	1	68101-239	*
10	Ext. Retaining Ring (DIN 7993)	1	71129-008	
11	Quad Ring (90 Duro PRP-4015)	2	62104-015	*
12	Socket Head Plug (M10 x 1.0)	1	76117-005	

* Contained in Seal Kit 5440-635-002



Assembly Number
5441-552-001



REXROTH CORPORATION

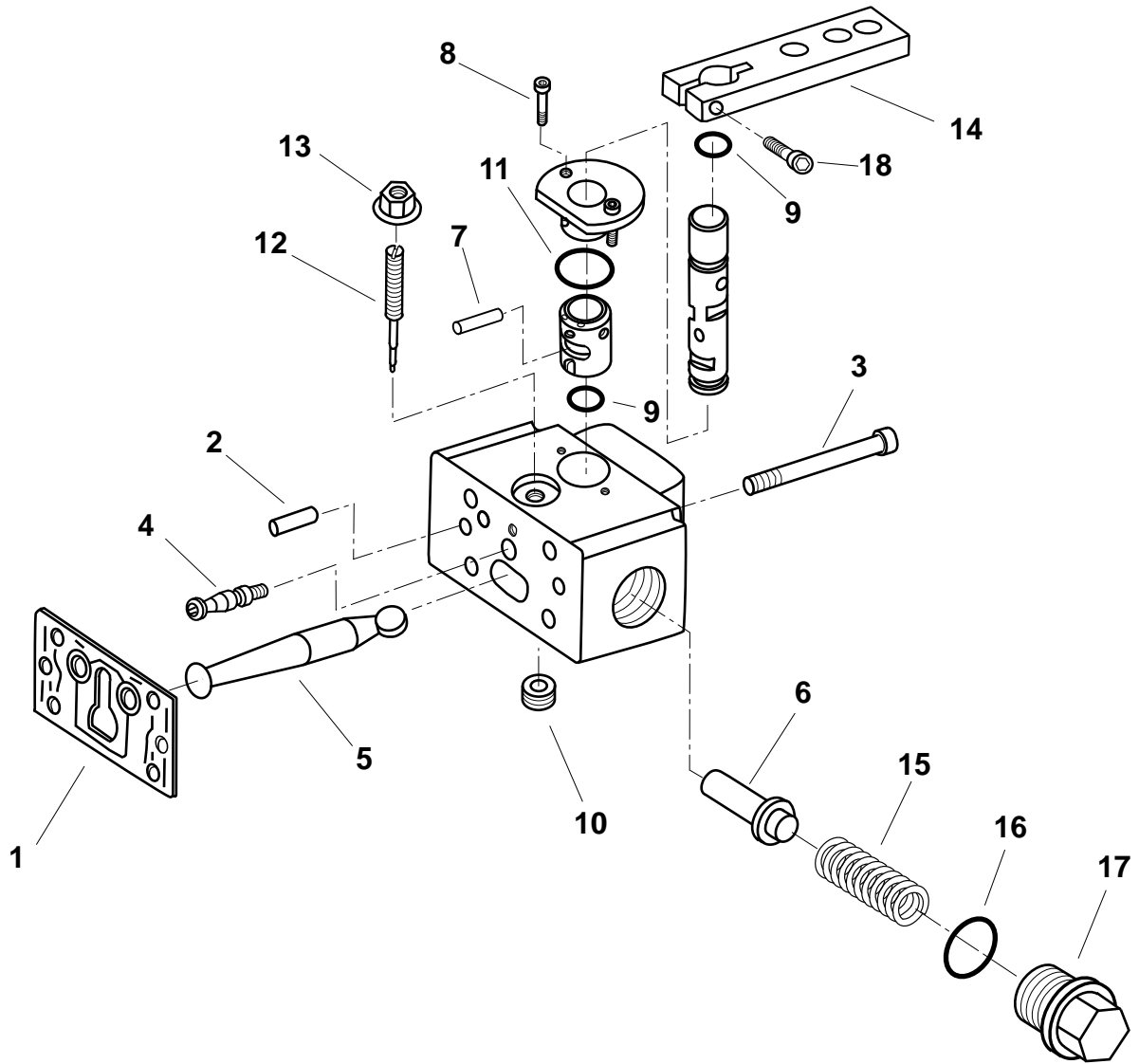
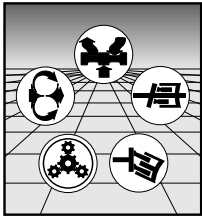
MOBILE HYDRAULICS DIVISION

Assembly Number
5441-552-001

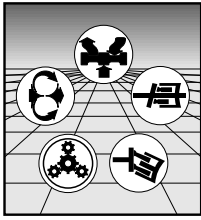
Item	Description	Qty	Part Number	
1	Control Module Gasket	1	5400-082-001	*
2	Cover Gasket	1	5400-082-002	*
3	Bonnet	2	H401760	
4	Piston	2	H413580	
5	O-Ring (70 Duro Buna PRP-018)	2	68101-018	*
6	Cap Screw (M6 x 55 DIN 912-8.8)	4	60118-066	❖
7	Cap Screw (M4 x 20 DIN 912-8.8)	8	60118-020	
8	Spring	1	H432234	
9	Lever Arms	2	H417155	
10	Dowel Pin (6 x 14 mm DIN 6325)	2	69116-005	
11	Retaining Ring	2	H156539	
12	Feedback Lever	1	H430319	
13	Eccentric Pin	1	H071520	
14	Seal Nut (M6)	1	65110-003	*
15	Rear Cover	1	H071512	❖
16	Pin	1	H151552	

* Contained in Buna Seal Kit 5440-635-002

❖ These items are not used with POR. Use bolts listed with POR Assembly.



Assembly Number
5442-552-001



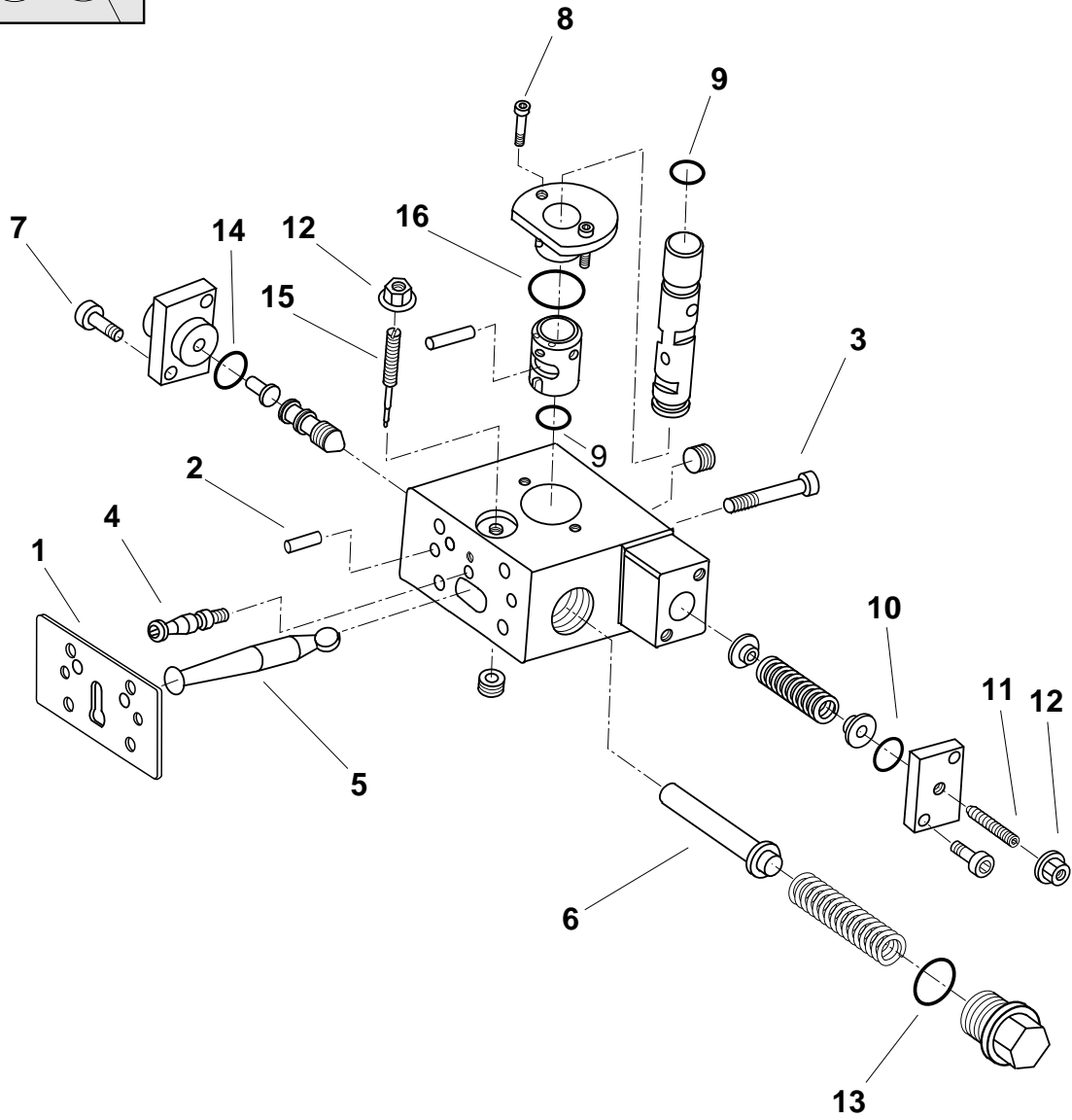
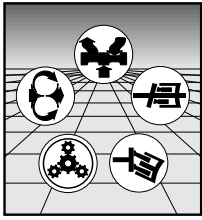
REXROTH CORPORATION

MOBILE HYDRAULICS DIVISION

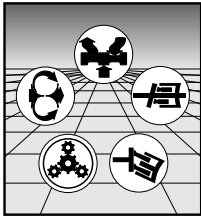
Assembly Number
5442-552-001

Item	Description	Qty	Part Number	
1	Control Module Gasket	1	5400-082-001	*
2	Dowel Pin (M6 x 14 DIN 6325)	2	H087338	
3	Cap Screw (M6 x 55 DIN 912-8.8)	4	60118-066	
4	Center Pin	1	H071389	
5	Feed Back Lever	1	H076428	
6	Plunger	2	H400334	
7	Dowell Pin	1	H156217	
8	Cap Screw (M5 X 10 DIN 912-8.8)	2	60118-032	
9	O-Ring (70 Duro Buna PRP-012)	2	68101-012	*
10	Plug	1	H071521	
11	O-Ring (70 Duro Buna PRP-019)	1	68101-019	*
12	Eccentric	1	H071520	
13	Seal Nut (M6 x 1)	1	65110-003	*
14	Control Lever	1	H401723	
15	Spring	2	H416191	
16	O-Ring (90 Duro Buna PRP-115)	2	68104-115	*
17	Plug	2	H400335	
18	Cap Screw	1	60118-037	

* Contained in Buna Seal Kit 5440-635-002



Assembly Number
5442-552-002



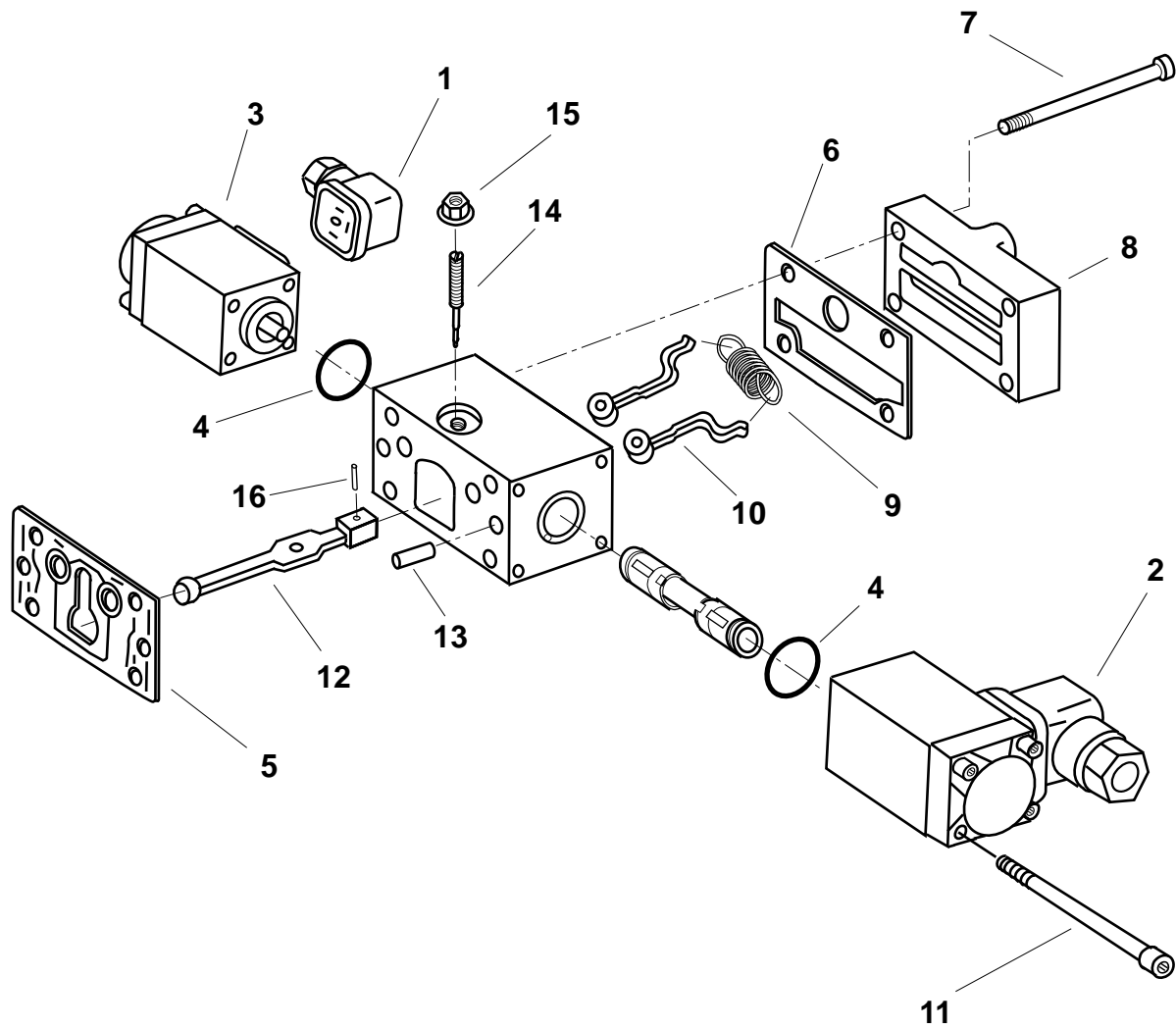
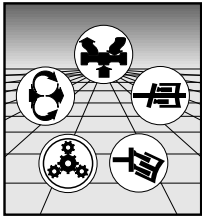
REXROTH CORPORATION

MOBILE HYDRAULICS DIVISION

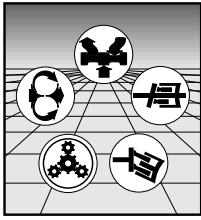
Assembly Number
5442-552-002

Item	Description	Qty	Part Number	
1	Control Module Gasket	1	5400-082-001	*
2	Dowel Pin (6 x 14 mm DIN 6325)	2	69116-005	
3	Cap Screw (M6 x 70 DIN 912 -8.8)	4	60118-069	
4	Center Pin	1	H425121	
5	Feedback Lever	1	H076428	
6	Push Pin	2	H425120	
7	Cap Screw (M5 x 12 DIN 912-8.8)	4	60118-033	
8	Cap Screw (M5 x 10 DIN 6912-8.8)	2	60140-010	
9	O-Ring (70 Duro Buna PRP-012)	2	68101-012	*
10	O-Ring (70 Duro Buna PRP-016)	1	68101-016	*
11	Adjusting Screw (M6 x 35 DIN 914-10.9)	1	60136-047	
12	Seal Nut (M6)	2	65110-003	*
13	O-Ring (90 Duro Buna PRP-115)	2	68104-115	*
14	O-Ring (70 Duro Buna PRP-017)	1	68101-017	*
15	Eccentric Pin	1	H079473	
16	O-Ring (70 Duro Buna PRP-019)	1	68101-019	*

* Contained in Buna Seal Kit 5440-635-002



Assembly Number
5443-552-001



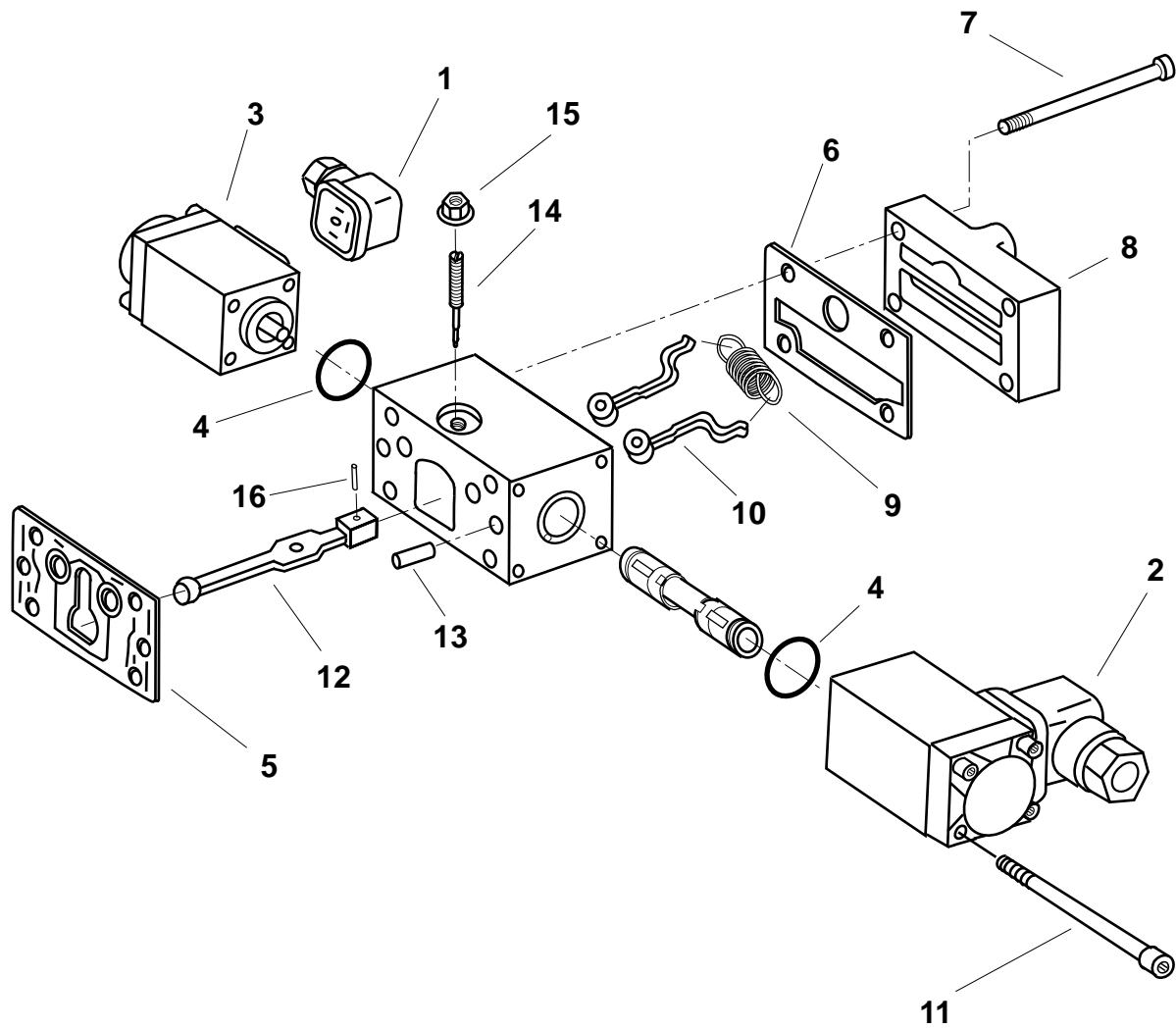
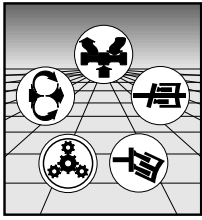
REXROTH CORPORATION

MOBILE HYDRAULICS DIVISION

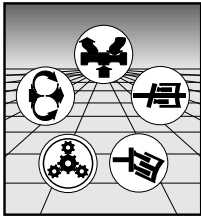
Assembly Number
5443-552-001

Item	Description	Qty	Part Number	
1	Hershman Connector (Gray)	1	5400-085-001	
2	Hershman Connector (Black)	1	5400-085-002	
3	Solenoid-Prop. 24V	2	5403-580-001	
4	O-Ring (70 Duro Buna PRP-018)	2	68101-018	*
5	Control Gasket	1	5400-082-001	*
6	Control Gasket	1	5400-082-002	*
7	Cap Screw (M6 x 55 DIN 912-8.8)	4	60118-066	
8	Rear Cover	1	H071512	
9	Feedback Spring	1	H413287	
10	Control Arms	2	H411666	
11	Cap Screw (M4 x 70 DIN 912-8.8)	8	60118-341	
12	Feedback Lever	1	H430319	
13	Dowel Pin (6 x 14 mm DIN 6325)	2	69116-005	
14	Eccentric Screw	1	H071520	
15	Seal Nut (M6)	1	65110-003	*
16	Pin	1	H151552	

* Contained in Buna Seal Kit 5440-635-002



Assembly Number
5443-552-002



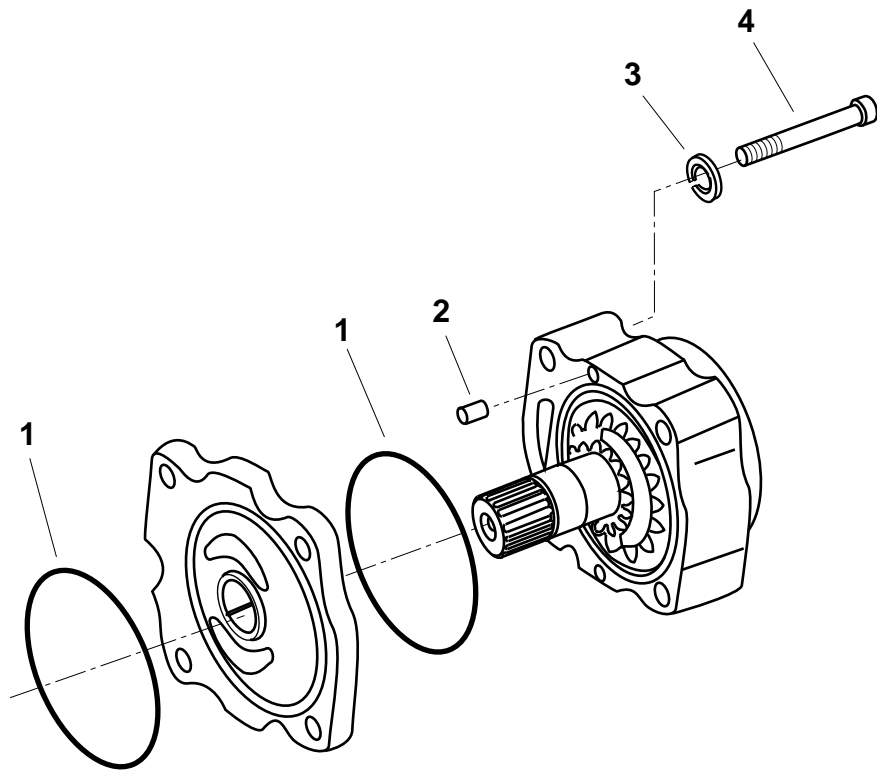
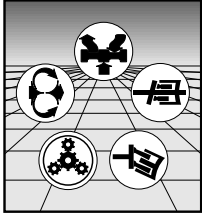
REXROTH CORPORATION

MOBILE HYDRAULICS DIVISION

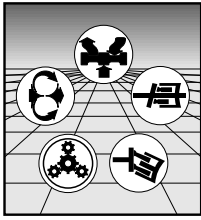
Assembly Number
5443-552-002

Item	Description	Qty	Part Number	
1	Hershman Connector (Gray)	1	5400-085-001	
2	Hershman Connector (Black)	1	5400-085-002	
3	Solenoid-Prop. 12V	2	5403-580-002	
4	O-Ring (70 Duro Buna PRP-018)	2	68101-018	*
5	Control Gasket	1	5400-082-001	*
6	Control Gasket	1	5400-082-002	*
7	Cap Screw (M6 x 55 DIN 912-8.8)	4	60118-066	
8	Rear Cover	1	H071512	
9	Feedback Spring	1	H435908	
10	Control Arms	2	H417155	
11	Cap Screw (M4 x 70 DIN 912-8.8)	8	60118-341	
12	Feedback Lever	1	H430319	
13	Dowel Pin (6 x 14 mm DIN 6325)	2	69116-005	
14	Eccentric Screw	1	H071520	
15	Seal Nut (M6)	1	65110-003	*
16	Pin (3 x 11 DIN 5402)	1	H151552	

* Contained in Buna Seal Kit 5440-635-002



Assembly Number
5440-430-001



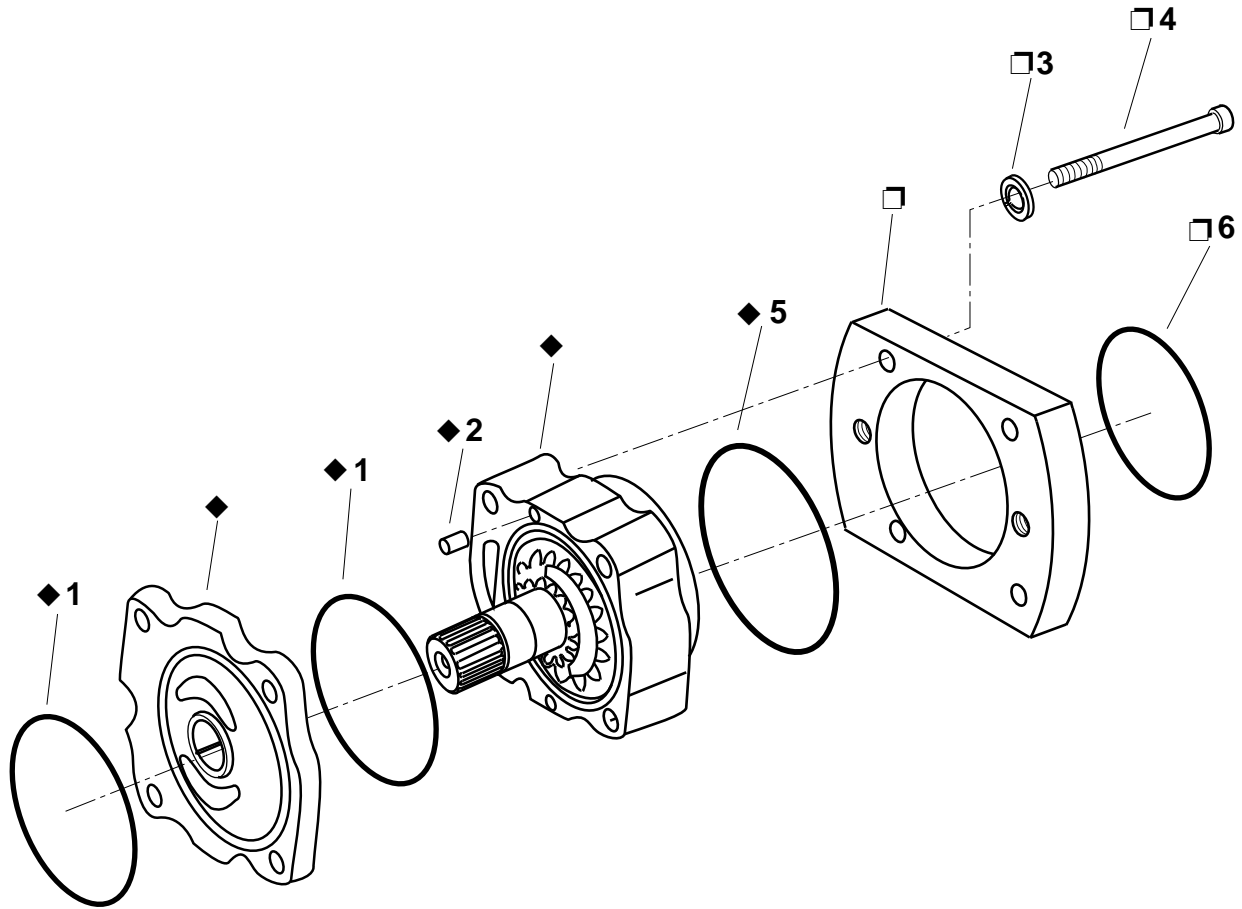
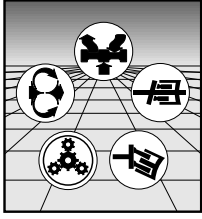
REXROTH CORPORATION

MOBILE HYDRAULICS DIVISION

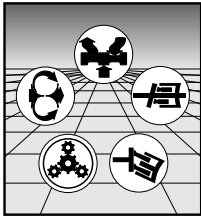
Assembly Number
5440-430-001

Item	Description	Qty	Part Number	
1	O-Ring (70 Duro Buna PRP-042)	2	68101-042	*
2	Dowel Pin (M6 x 10 DIN 7)	2	69115-003	
3	Lock Washer (M8 DIN 7980)	4	61116-003	
4	Cap Screw (M8 x 50 DIN 912- 8.8)	4	60118-088	

* Contained in Buna Seal Kit 5440-635-002



Assembly Number
5440-635-003



REXROTH CORPORATION

MOBILE HYDRAULICS DIVISION

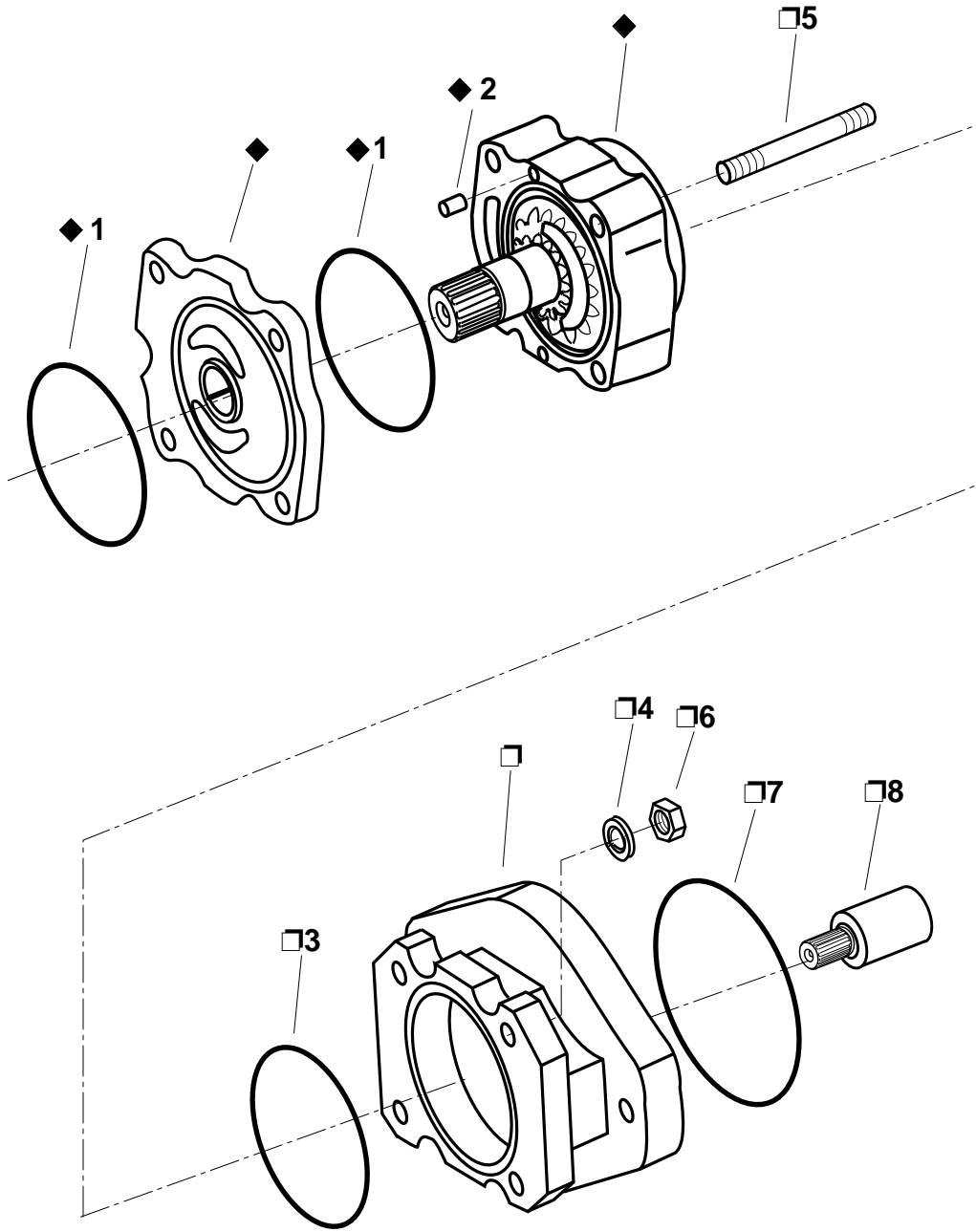
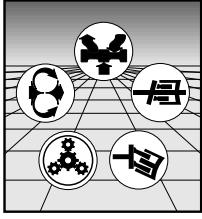
Assembly Number
5440-635-003

Item	Description	Qty	Part Number	
1	O-Ring (70 Duro Buna PRP-042)	2	68101-042	*
2	Dowel Pin (6 x 10 mm DIN 7)	2	69115-003	
3	Lock Washer (M8 DIN 7980)	4	69116-003	
4	Cap Screw (M8 x 55 DIN 912- 8.8)	4	60118-089	
5	Adapter Flange (SAE "A")	1	H405760	
6	O-Ring (70 Duro Buna PRP-152)	1	68101-152	*

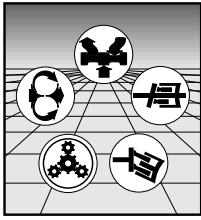
* Contained in Buna Seal Kit 5440-635-002

◆ These parts included in 5440-430-003

□ These parts included in 5440-635-010



Assembly Number
5440-635-005



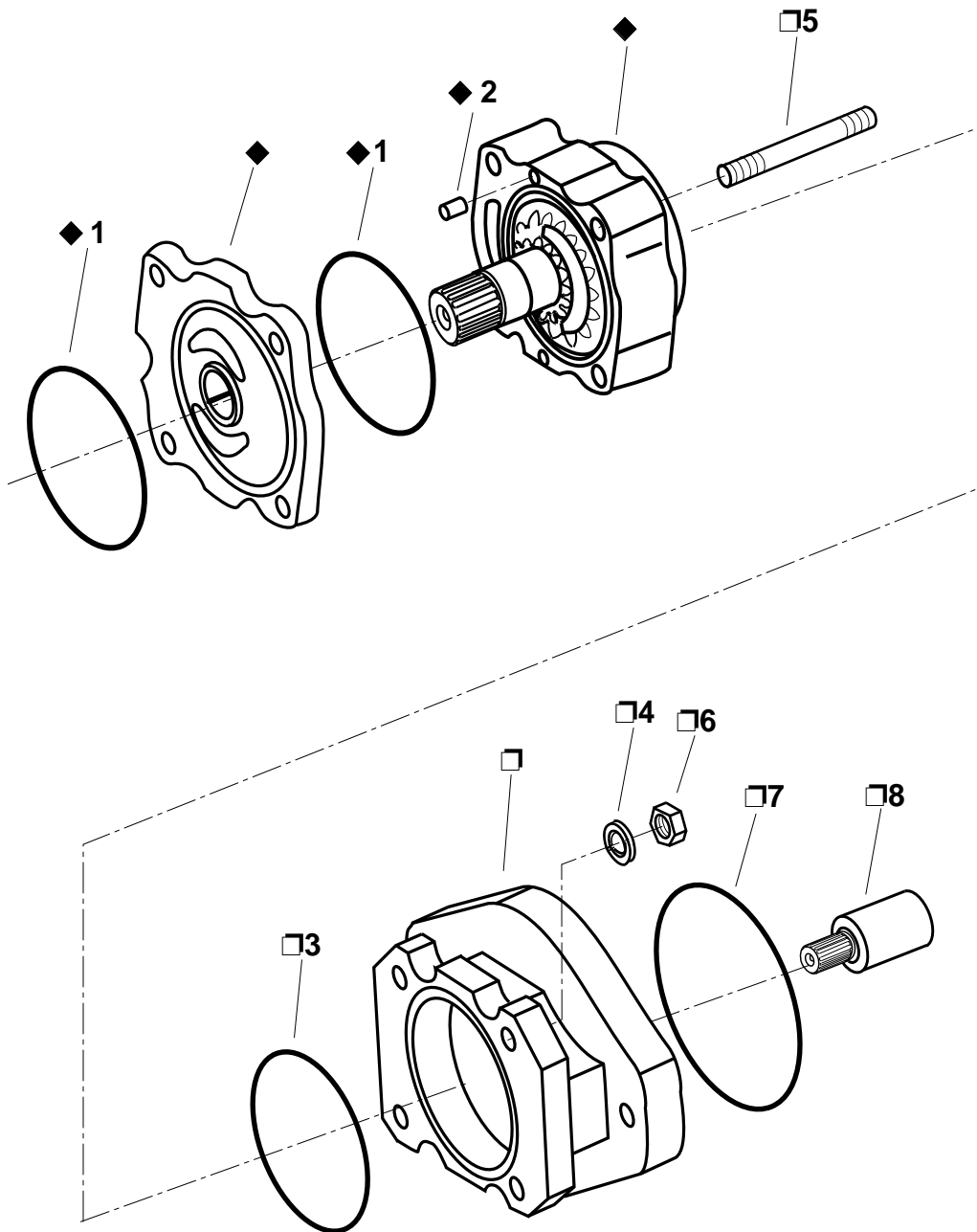
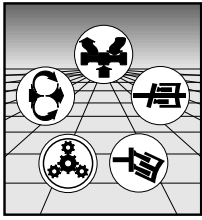
REXROTH CORPORATION

MOBILE HYDRAULICS DIVISION

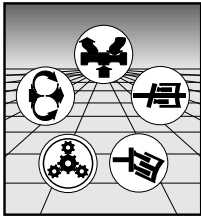
Assembly Number
5440-635-005

Item	Description	Qty	Part Number	
1	O-Ring (70 Duro Buna PRP-042)	2	68101-042	*
2	Dowel Pin (6 x 10 mm DIN 7)	2	69115-003	
3	O-Ring (70 Duro Buna PRP-152)	1	68101-152	*
4	Lock Washer (M8)	4	61116-003	
5	Stud	4	H154623	
6	Nut (M8)	4	65111-003	
7	O-Ring (70 Duro Buna PRP-045)	1	68101-045	*
8	Thru Drive Coupling	1	5400-065-001	

- * Contained in Buna Seal Kit 5440-635-002
- ◆ These parts included in 5440-430-004
- These parts included in 5440-635-011



Assembly Number
5440-635-012



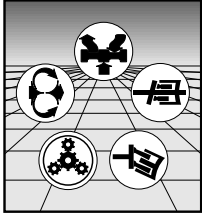
REXROTH CORPORATION

MOBILE HYDRAULICS DIVISION

Assembly Number
5440-635-012

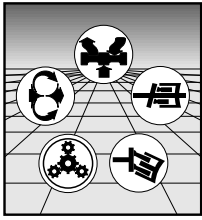
Item	Description	Qty	Part Number	
1	O-Ring (70 Duro Buna PRP-042)	2	68101-042	*
2	Dowel Pin (6 x 10 mm DIN 7)	2	69115-003	
3	O-Ring (70 Duro Buna PRP-152)	1	68101-152	*
4	Lock Washer (M8)	4	61116-003	
5	Stud	4	H154623	
6	Nut (M8)	4	65111-003	
7	O-Ring (70 Duro Buna PRP-045)	1	68101-045	*
8	Coupling Splined (SAE B-B)	1	5400-065-003	

- * Contained in Buna Seal Kit 5440-635-002
- ◆ These parts included in 5440-430-004
- These parts included in 5440-635-011



IN PREPARATION

Assembly Number
5440-635-015

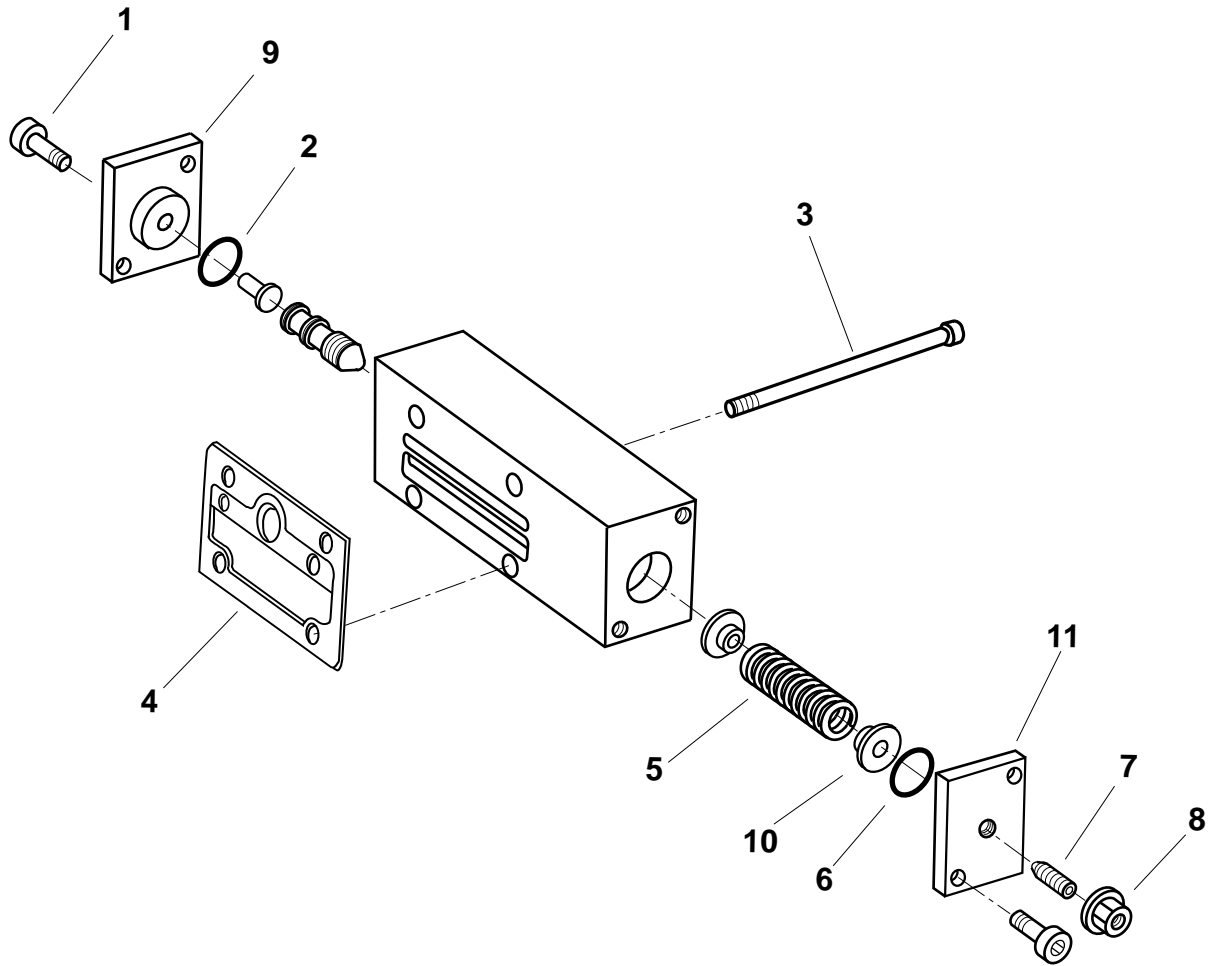
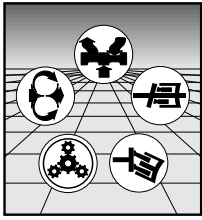


REXROTH CORPORATION

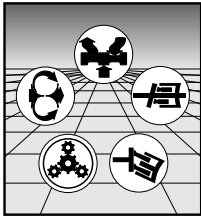
MOBILE HYDRAULICS DIVISION

Assembly Number
5440-635-015

	IN PREPARATION			



Assembly Number
5400-635-005



REXROTH CORPORATION

MOBILE HYDRAULICS DIVISION

Assembly Number
5400-635-005

Item	Description	Qty	Part Number	
1	Cap Screw (M5 x 12 DIN 912-8.8)	4	60118-033	
2	O-Ring (70 Duro Buna PRP-017)	1	68101-017	*
3	Cap Screw (M6 x 70 DIN 912-8.8)	4	60118-092	
4	Control Module Gasket	1	5400-082-002	*
5	Spring	1	H420972	
6	O-Ring (70 Duro Buna PRP-016)	1	68101-016	*
7	Adjusting Screw (M6 x 25 DIN 914-10.9)	1	60136-002	
8	Seal Nut (M6)	1	65110-003	*
9	Cover	1	H404572	
10	Spring Collar	4	H420971	
11	Cover	1	H404507	

* Contained in Buna Seal Kit 5440-635-002

Notes

REXROTH CORPORATION
MOBILE HYDRAULICS DIVISION

Variable Pump AA4V, Series 1

Specifications, descriptions, and illustrative material shown herein were as accurate as know at the time this publication was printed. Rexroth reserves the right to discontinue models or options at any time or to change specifications, materials, or designs without notice and without incurring obligation.

DISTRIBUTED BY: