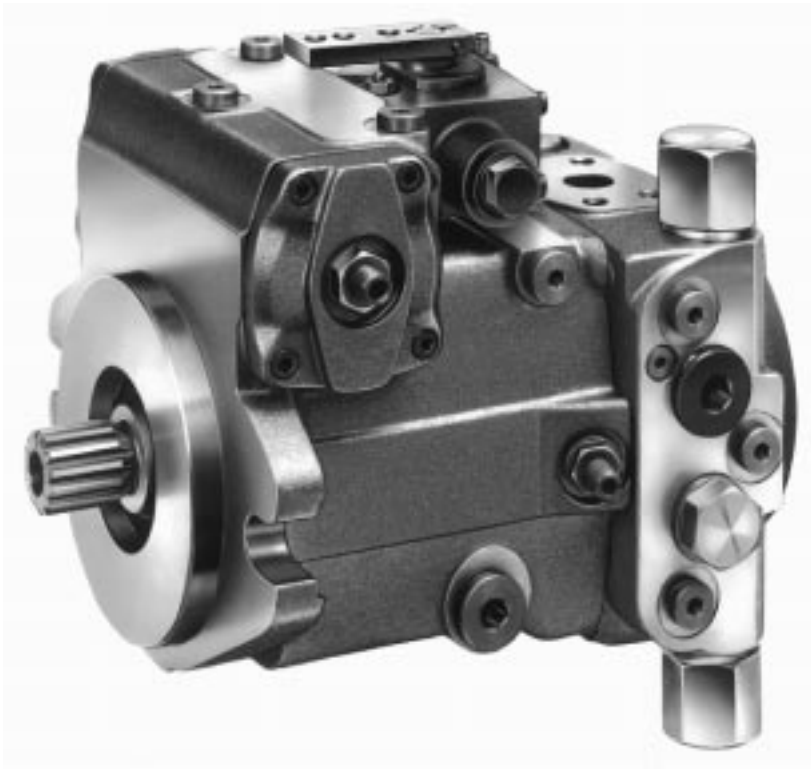


E

Service Parts List



AA4VG

Series 32
Size 40

Ordering of AA4VG Parts

For Rexroth to supply the correct parts for your unit, please include all of the following information with your parts order.

TYPE CODE
TYPE NUMBER
SERIAL NUMBER
PART NUMBER
PART NAME

Due to modifications and improvements to our products, minor changes can occur to the parts, even though the type code may not necessarily reflect these changes. The type number and serial number will guarantee that the correct parts for your unit are supplied.

HYDROMATIK GMBH ULM (DONAU)		
THE REXROTH CORP., WOOSTER, OHIO		
TYPE		
AA4VG56HDD1/32R-NTC5K045E		
NO		
245.17.05.03		
SERIAL NO.	YEAR	MINERAL OIL
4154287	12.96	OIL
MADE IN GERMANY		
ROTATION		

ORDERING EXAMPLE

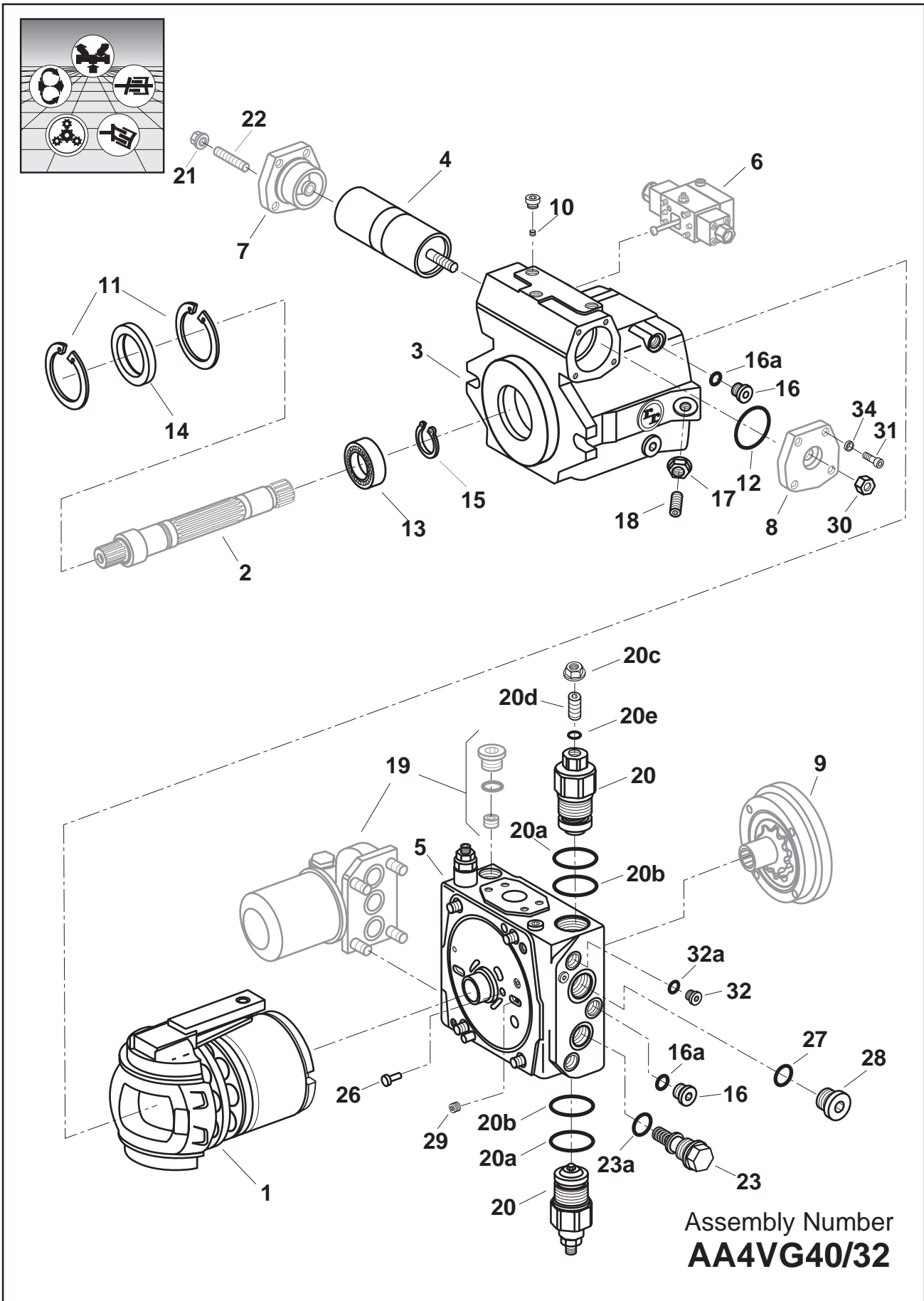
To order a replacement charge pump for an AA4VG hydrostatic transmission pump having the above nameplate, the following information would be required.

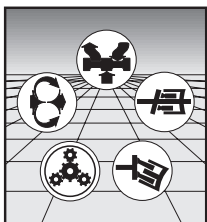
+ Type Code	AA4VG56HDD1/32R-NTC5K045E-S
+ Type Number	252.17.05.03
+ Serial Number	4154287
* Part Number	5421-005-015
* Part Name	Charge Pump

+ This information is taken from the nameplate on the pump.

* This information is taken from the Service Parts List.

Rotary Group (AA4VG40.../32R)	Page 8-9
Rotary Group (AA4VG40.../32L)	10-11
Housing Ass'y	12-13
Stroking Piston Ass'y	14-15
Port Block Ass'y	16-17
HW Control	18-19
HW (L) Control	20-21
HD Control	22-23
EP1 Control	24-25
EP2 Control	26-27
EZ1 Control	28-29
EZ2 Control	30-31
Charge Pump (F00)	32-33
Thru Dr. Chg. Pump (F01...SAE-A)	34-35
Thru Dr. Chg. Pump (F02...SAE-B)	36-37
Thru Dr. Chg. Pump (F04...SAE-BB)	38-39
Thru Dr. Chg. Pump (F09...SAE-BB w/C Pad)	40-41
Filtration Options	42-43



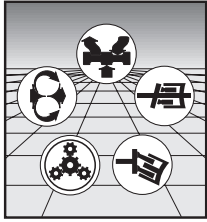


REXROTH CORPORATION

MOBILE HYDRAULICS DIVISION

Assembly Number
AA4VG40/32

Item	Description	Qty	Part Number
1	Rotary Group Ass'y AA4VG40.../32R		5410-570-013
1	Rotary Group Ass'y AA4VG40.../32L		5410-570-014
2	Drive Shaft AA4VG40.../32...S		HU00449686
2	Drive Shaft AA4VG40.../32...U		HU00921382
3	Housing Ass'y	1	<i>Pages 12 &13</i>
4	Stroking Piston Ass'y	1	<i>Pages 14 &15</i>
5	Port Block Ass'y	1	<i>Pages 16 &17</i>
6	Control AA4VG40HW.../32		HU00606886
6	Control AA4VG40HW...L/32		HU00607224
6	Control AA4VG40HD.../32		HU00601717
6	Control AA4VG40EP1.../32		HU00601622
6	Control AA4VG40EP2.../32		HU00601621
6	Control AA4VG40EZ1.../32		HU00600074
6	Control AA4VG40EZ2.../32		HU00600076
7	Stroking Piston Cover AA4VG40...		HU00443100
7	Stroking Piston Cover AA4VG40...M		HU00443102
7	Stroking Piston Cover AA4VG40...T		HU00651544
7	Stroking Piston Cover AA4VG40...M...T		HU00651548
8	Stroking Piston Cover AA4VG40...		HU00443099
8	Stroking Piston Cover AA4VG40...M		HU00443101
8	Stroking Piston Cover AA4VG40...T		HU00651543
8	Stroking Piston Cover AA4VG40...M...T		HU00651547
9	Charge Pump ...F00		HU00606688
9	Thru Dr. Chg. Pump ...F01 (SAE-A)		HU00606691
9	Thru Dr. Chg. Pump ...F02 (SAE-B)		HU00606694
9	Thru Dr. Chg. Pump ...F04 (SAE-BB)		HU00606700
9	Thru Dr. Chg. Pump ...F09 (BB w/C Pad)		HU00606687



REXROTH CORPORATION

MOBILE HYDRAULICS DIVISION

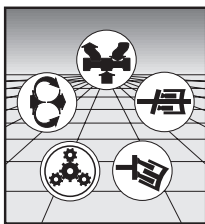
Assembly Number
AA4VG40/32

Item	Description	Qty	Part Number	
10	Stroking Time Orifice (0.8 mm)		HU00156492	
10	Stroking Time Orifice (1.0 mm)	2	HU00156493	
10	Stroking Time Orifice (1.2 mm)		HU00156494	
10	Stroking Time Orifice (1.4 mm)		HU00156495	
10	Stroking Time Orifice (1.6 mm)		HU00156496	
10	Stroking Time Orifice (1.8 mm)		HU00156497	
11	Snap Ring (62 x 2 DIN 984)	2	HU00832149	
12	O-Ring (70 Duro Buna PRP-142)	2	68101-142	*▲
13	Front Bearing	1	HU00153685	
14	Shaft Seal (Buna)		HU00831285	*
14	Shaft Seal (FPM)		HU00831284	▲
15	Snap Ring (35 x 1.5 DIN 4)	1	7119-007	
16	Plug (9/16-18)	2	76107-006	
16a	O-Ring (90 Duro Buna Tube PRP-906)	2	68105-906	*▲
17	Seal Nut (M10 x 1)	1	65110-007	*▲
18	Threaded Pin (M10 x 1 DIN 913-10.9)	1	HU00154981	
19	Filter Options	1	<i>Pages 42 & 43</i>	
20	H.P.R.V. w/ Tow Option (4000-6100 psi)		HU00447134	
20	H.P.R.V. w/o Tow Option (4000-6100 psi)		HU00447133	
20	H.P.R.V. w/o Tow Option (1450-3600 psi)		HU00434085	
20a	Back-Up Ring	2	HU00157774	*▲□
20b	O-Ring (90 Duro Buna PRP-119)	2	68104-119	*▲□
20c	Seal Nut (M8 x 1)	2	65110-004	*▲□
20d	Adjusting Screw	2	HU00445131	□
20e	O-Ring (90 Duro Buna PRP-010)	2	68104-010	*▲□

* Contained in Seal Kit (P) 5410-635-033

▲ Contained in Seal Kit (N) 5410-635-034

□ Included with appropriate H.P.R.V.



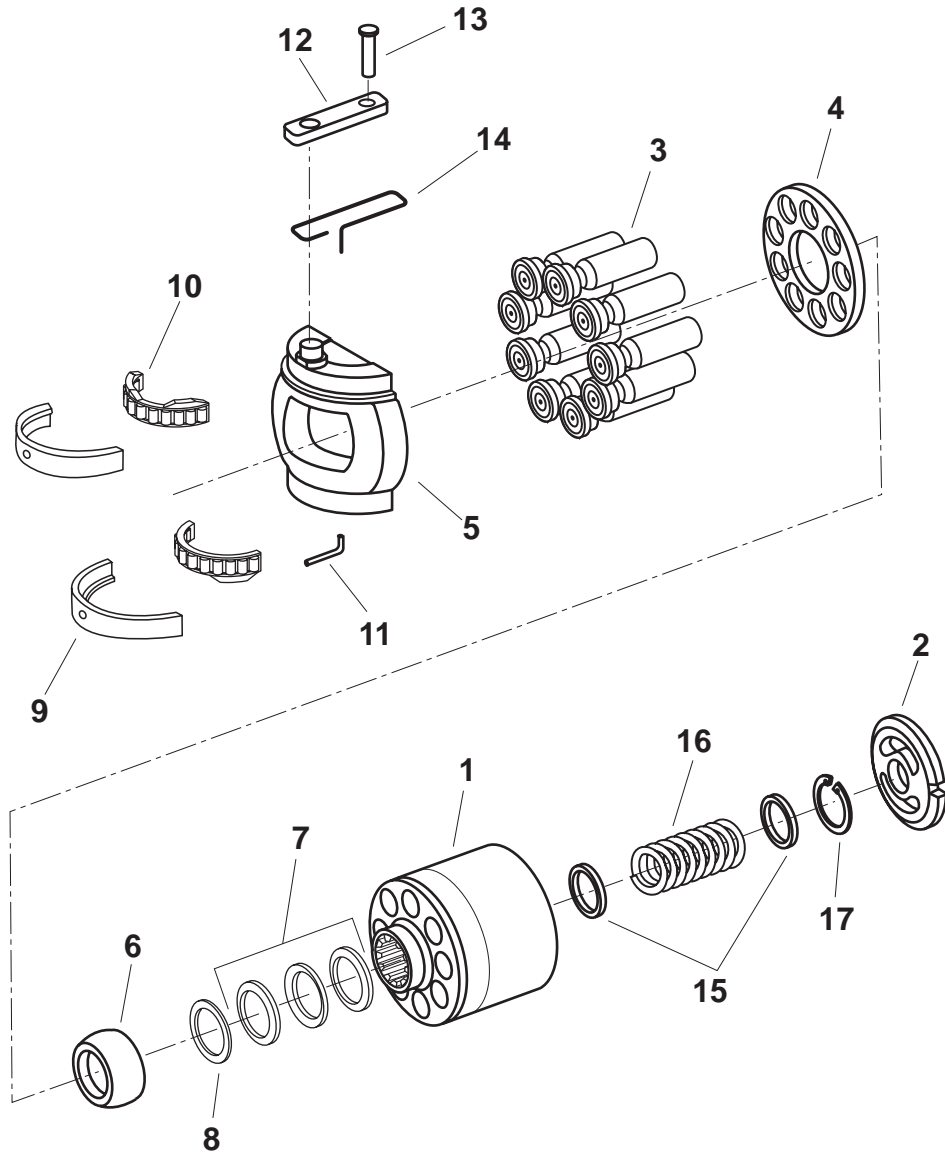
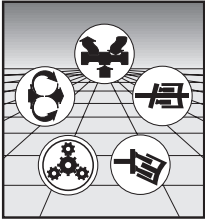
REXROTH CORPORATION

MOBILE HYDRAULICS DIVISION

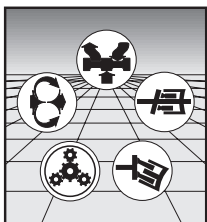
Assembly Number
AA4VG40/32

Item	Description	Qty	Part Number	
21	Seal Nut (M8)		65110-004	*▲
22	Stroke limiting Screw		HU00430823	
23	Charge Relief Valve Kit		5400-635-007	
23a	O-Ring (90 Duro Buna PRP-119)	1	68104-119	*▲★
26	Lens Pin	1	HU00405732	
27	O-Ring (90 Duro Buna PRP-119)	1	68104-119	*▲
28	Plug (M26 x 1.5 DIN 906-5.8)	1	76118-001	
29	Plug (M8 x 1 DIN 906-5.8)	1	76117-003	*▲
30	Jam Nut (M12 x 1.5 DIN 439-04AU)	1	HU00154918	
31	Cap Screw (M6 x 16 DIN 912-8.8)	8	60118-056	
32	Plug (7/16-20)	2	76107-004	
32a	O-Ring (90 Duro Buna Tube PRP-904)	2	68105-904	*▲○
34	Lock Washer (M6 DIN 7980)	8	61116-002	

- * Contained in Seal Kit (P) 5410-635-033
- ▲ Contained in Seal Kit (N) 5410-635-034
- ★ Included with 5400-635-007
- Included with 76107-004



Assembly Number
5410-570-013

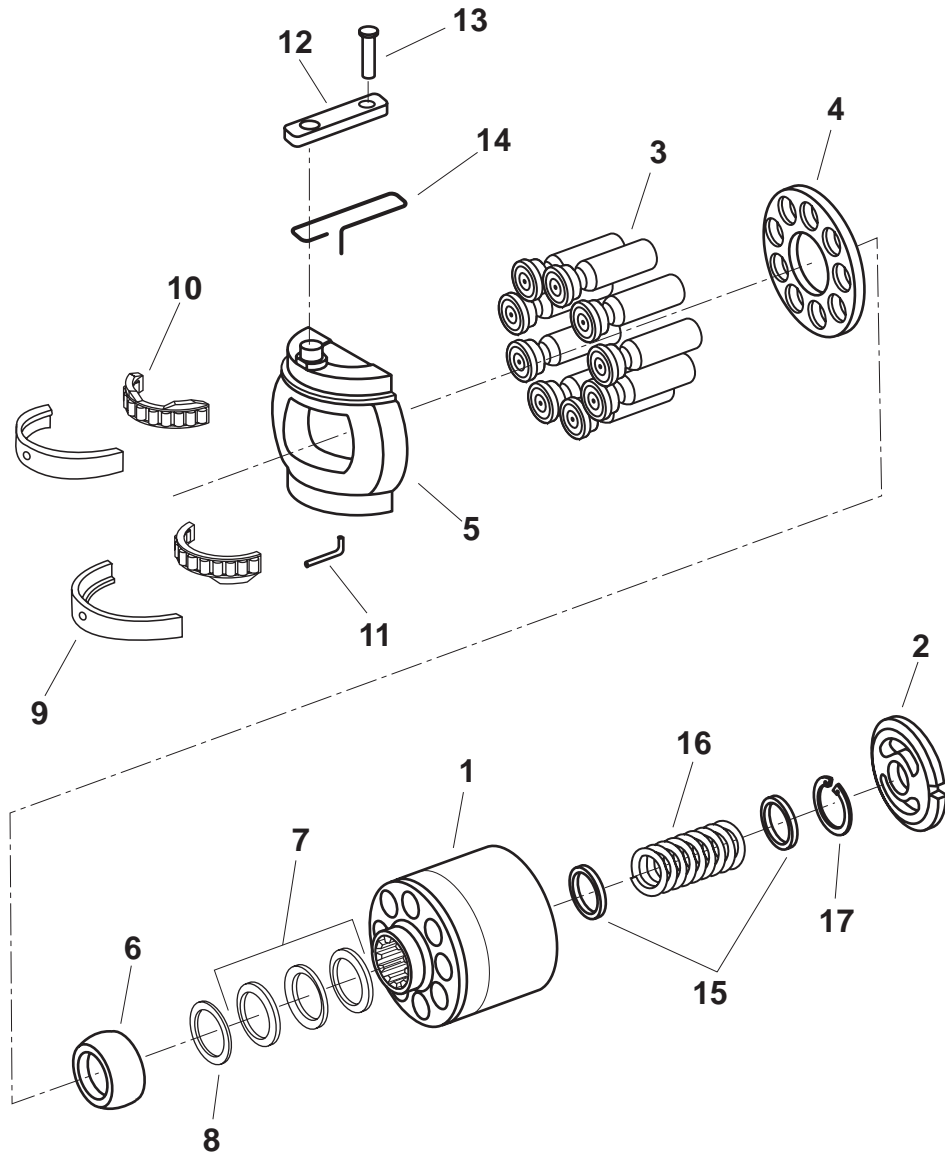
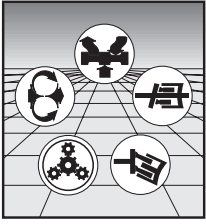


REXROTH CORPORATION

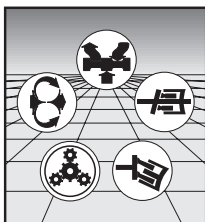
MOBILE HYDRAULICS DIVISION

Item	Description	Qty	Part Number	
1	Barrel	1	HU00449753	
2	Lens Plate CW	1	HU00651762/CW	
3	Piston	9	HU00435304	
4	Retaining Plate	1	HU00435282	
5	Swash Plate	1	HU00435775	
6	Retaining Ball	1	HU00432260	
7	Cup Spring Stack	1	HU00444152	
8	Preload Shim (1.20 mm)	1	HU00432098	■
8	Preload Shim (1.00 mm)	0	HU00432099	■
8	Preload Shim (0.80 mm)	0	HU00432100	■
8	Preload Shim (0.60 mm)	0	HU00432101	■
9	Bearing Race (Pair)	1	HU00650050	
10	Cradle Bearing Set	1	HU00830517	
11	Wire	1	HU00408786	
12	Slide Block	1	HU00444490	
13	Pin	1	HU00443447	
14	Wire	1	HU00444491	
15	Shim (M40.00 x 29.10 x 3.00)	2	HU00449756	
16	Spring	1	HU00449750	
17	Snap Ring Internal (M35 x 1.50 DIN 472)	1	71128-038	

■ Select the correct shim to set the rotary group preload



Assembly Number
5410-570-014



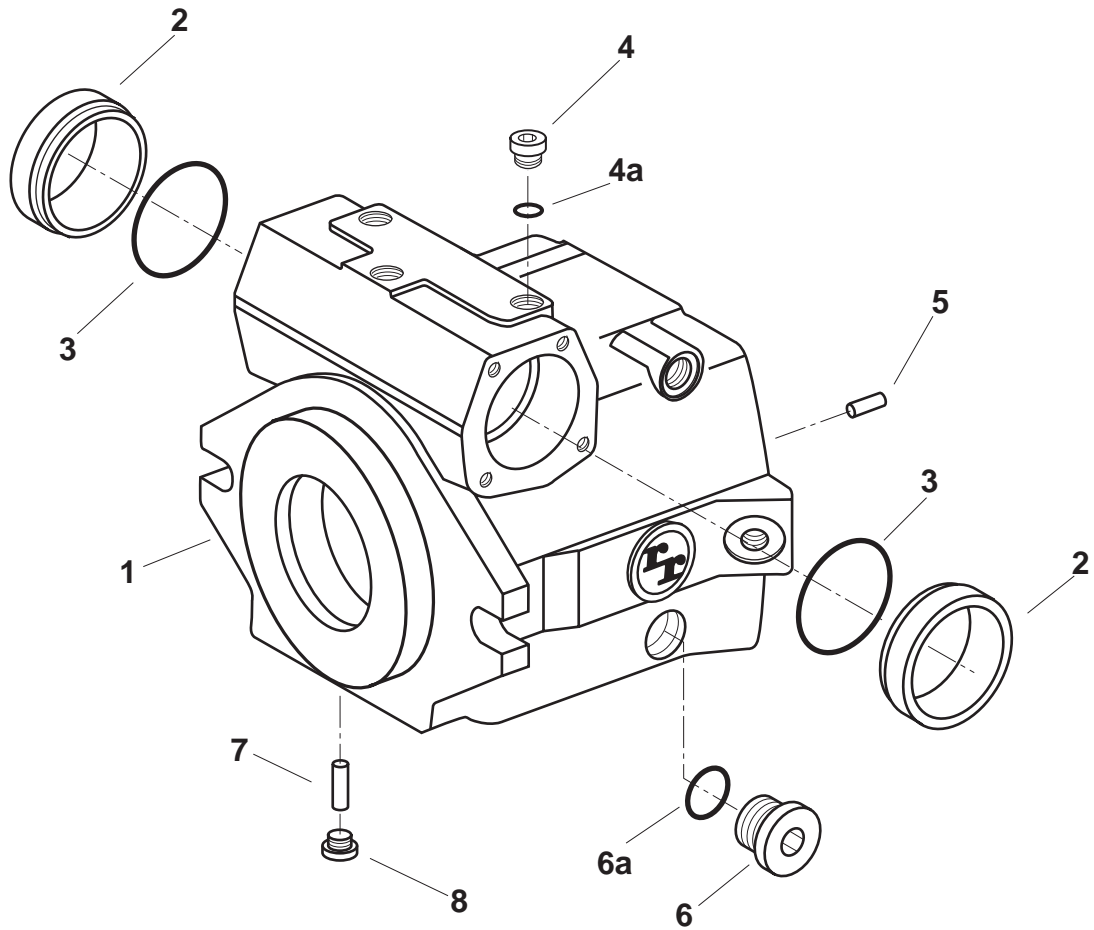
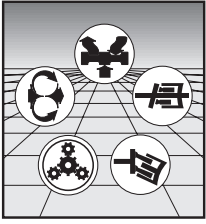
REXROTH CORPORATION

MOBILE HYDRAULICS DIVISION

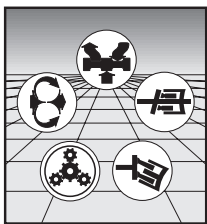
Assembly Number
5410-570-014

Item	Description	Qty	Part Number	
1	Barrel	1	HU00449753	
2	Lens Plate CCW	1	HU00651762/CCW	
3	Piston	9	HU00435304	
4	Retaining Plate	1	HU00435282	
5	Swash Plate	1	HU00435775	
6	Retaining Ball	1	HU00432260	
7	Cup Spring Stack	1	HU00444152	
8	Preload Shim (1.20 mm)	1	HU00432098	■
8	Preload Shim (1.00 mm)	0	HU00432099	■
8	Preload Shim (0.80 mm)	0	HU00432100	■
8	Preload Shim (0.60 mm)	0	HU00432101	■
9	Bearing Race (Pair)	1	HU00650050	
10	Cradle Bearing Set	1	HU00830517	
11	Wire	1	HU00408786	
12	Slide Block	1	HU00444490	
13	Pin	1	HU00443447	
14	Wire	1	HU00444491	
15	Shim (M40.00 x 29.10 x 3.00)	2	HU00449756	
16	Spring	1	HU00449750	
17	Snap Ring Internal (M35 x 1.50 DIN 472)	1	71128-038	

■ Select the correct shim to set the rotary group preload



Assembly Number
Housing Ass'y



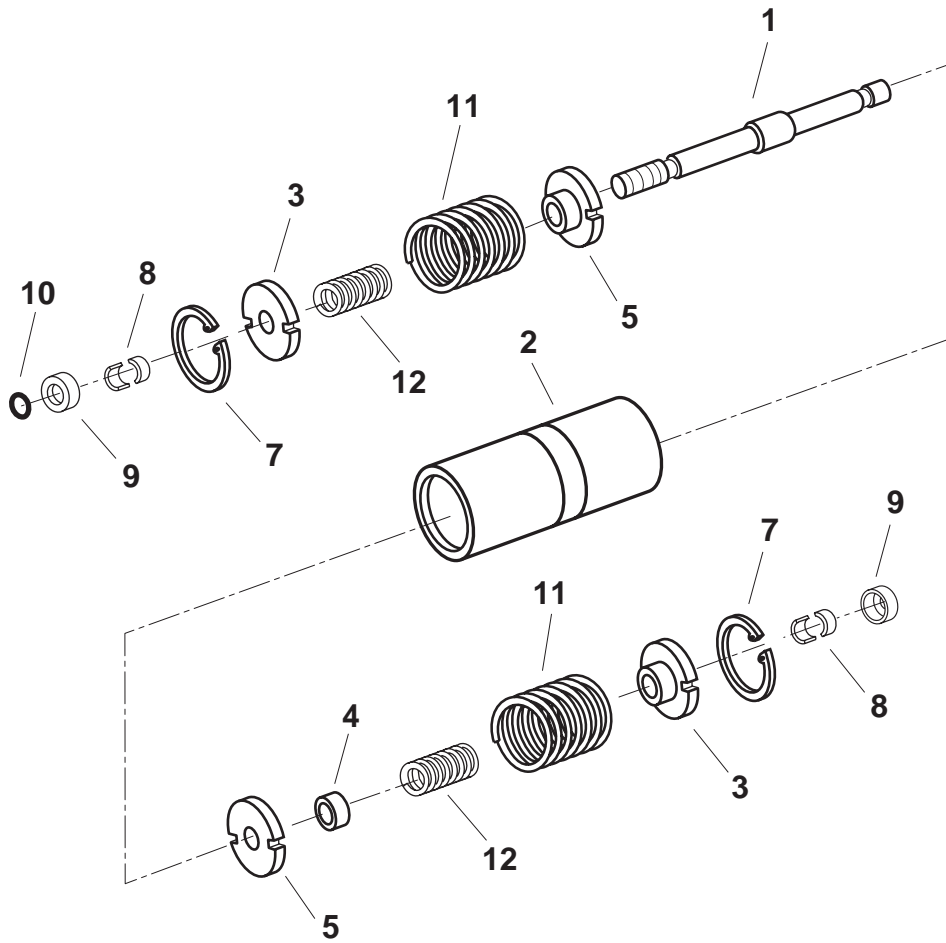
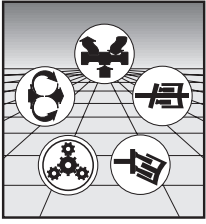
REXROTH CORPORATION

MOBILE HYDRAULICS DIVISION

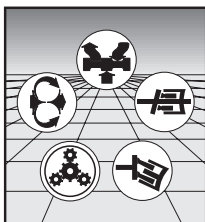
Assembly Number
Housing Ass'y

Item	Description	Qty	Part Number	
1	Housing	1	5410-566-005	
2	Bushing	2	HU00425657	
3	O-Ring (70 Duro Buna PRP-142)	2	68101-142	*▲
4	Plug (7/16-20)	3	76107-042	
4a	O-Ring (90 Duro Buna Tube PRP-904)	3	68105-904	*▲■
5	Spring Pin (3 X 10 DIN 7744)	2	HU00156579	
6	Plug (1 1/16-12)	1	76107-012	
6a	O-Ring (90 Duro Buna Tube PRP-912)	1	68105-912	*▲□
7	Pin	1	HU00445118	
8	Plug (M10 x 1)	1	76116-004	*▲

- * Contained in Seal Kit (P) 5410-635-033
- ▲ Contained in Seal Kit (N) 5410-635-034
- Included with 76107-004
- Included with 76107-012



Assembly Number
Stroking Piston Ass'y



REXROTH CORPORATION

MOBILE HYDRAULICS DIVISION

Assembly Number

Stroking Piston Ass'y

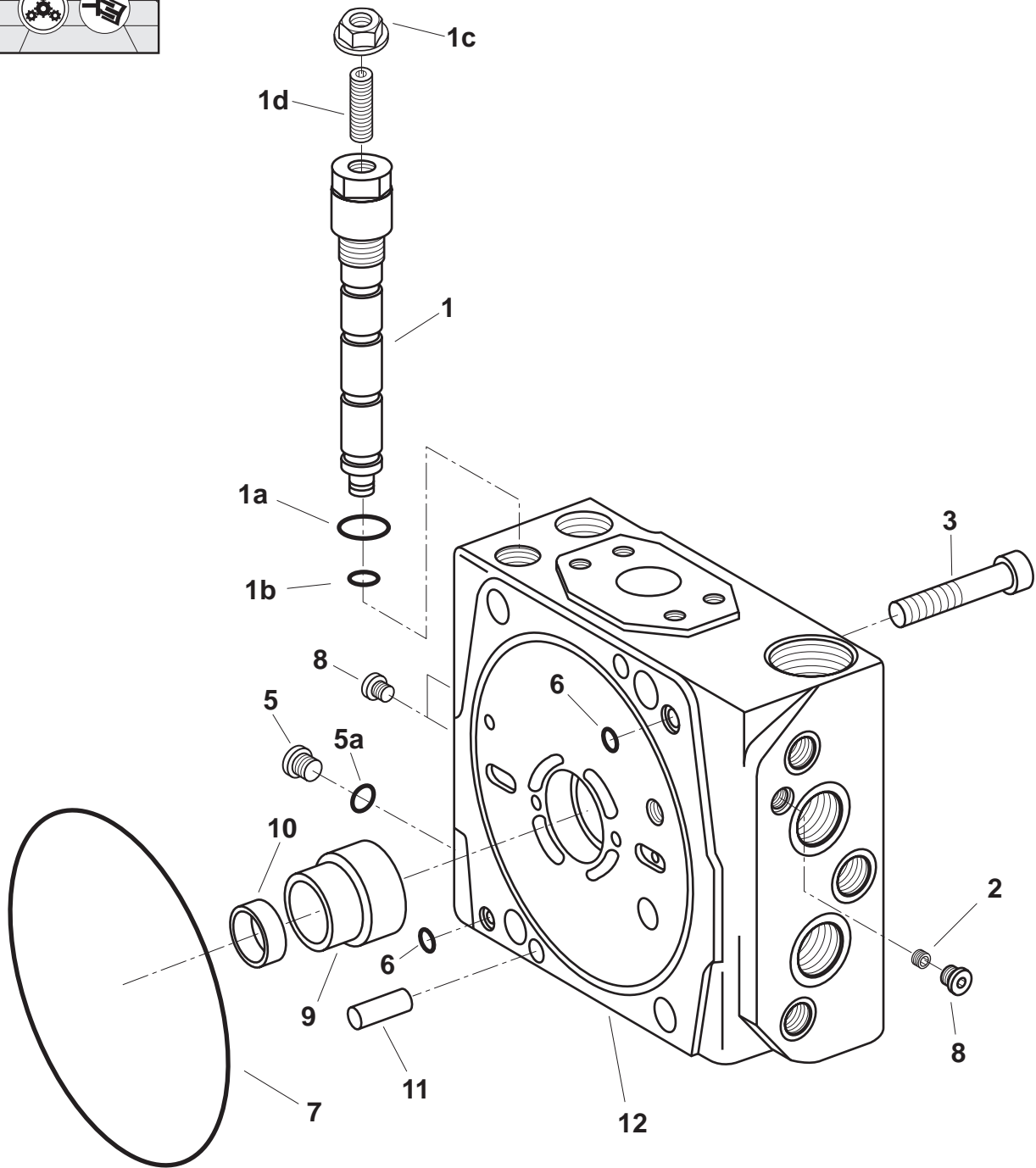
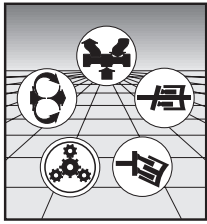
Item	Description	Qty	Part Number	
1	Rod	1	HU00449237	
2	Piston	1	HU00921394	
3	Spring Collar	2	HU00449244	
4	Spacer (5.10 mm)	2	HU00435635	■
4	Spacer (5.30 mm)		HU00435636	■
4	Spacer (4.90 mm)		HU00445782	■
4	Spacer (5.00 mm)		HU00445783	■
4	Spacer (5.20 mm)		HU00445784	■
4	Spacer (5.40 mm)		HU00445785	■
5	Spring Collar	2	HU00449243	
7	Seeger-V-Ring (48 x 1.75)	1	HU00156563	
8	Keepers (set 5.77 mm)	2	HU00436307	X
8	Keepers (set 5.82 mm)		HU00436308	X
8	Keepers (set 5.87 mm)		HU00436309	X
8	Keepers (set 5.92 mm)		HU00436310	X
8	Keepers (set 5.97 mm)		HU00436311	X
8	Keepers (set 6.02 mm)		HU00436347	X
8	Keepers (set 5.67 mm)		HU00444780	X
8	Keepers (set 5.72 mm)		HU00444781	X
9	Retainer	2	HU00400470	
10	O-Ring (70 Duro Buna PRP-012)	1	68101-012	*▲
11	Spring (NV, HD, EP, HW control)		HU00436327	
11	Spring (DG control)		HU00436540	
12	Spring (NV, HD, EP, HW control)		HU00436328	
12	Spring (DG control)		HU00425657	

* Contained in Seal Kit (P) 5420-635-033

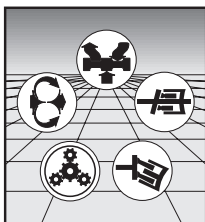
▲ Contained in Seal Kit (N) 5420-635-034

X Choose the correct keeper to set retaining plate position.

■ Select the correct Spacer Bushing to set maximum displacement.



Assembly Number
Port Block Ass'y



REXROTH CORPORATION

MOBILE HYDRAULICS DIVISION

Assembly Number
Port Block Ass'y

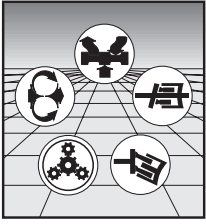
Item	Description	Qty	Part Number	
1	P.O.R. Assembly	1	HU00447281	
1a	O-Ring (90 Duro Buna PRP-112)	1	68104-112	*▲□
1b	O-Ring (90 Duro Buna PRP-010)	1	68104-010	*▲□
1c	Seal Nut (M8)	1	65110-004	*▲□
1d	Adjusting Screw	1	HU00432617	□
2	Orifice (1.8 mm)	1	HU00156497	
3	Cap Screw (M12 x 70 DIN 912-10.9)	4	60119-144	
5	Plug (7/16-20)	1	76107-004	
5a	O-Ring (90 Duro Buna Tube PRP-904)	1	68105-904	*▲◆
6	O-Ring (70 Duro Buna PRP-012)	2	68104-012	*▲
7	O-Ring (70 Duro Buna PRP-159)	1	68101-159	*▲
8	Plug (M8 x 1)	3	76116-015	*▲
9	Bushing Support	1	HU00425694	
10	Bushing	1	HU00424648	
11	Dowell Pin (M6 x 16 DIN 7-ST)	2	69115-030	
12	Port Block (AA4VG 40/32)	1	5410-430-015	

* Contained in Seal Kit (P) 5410-635-033

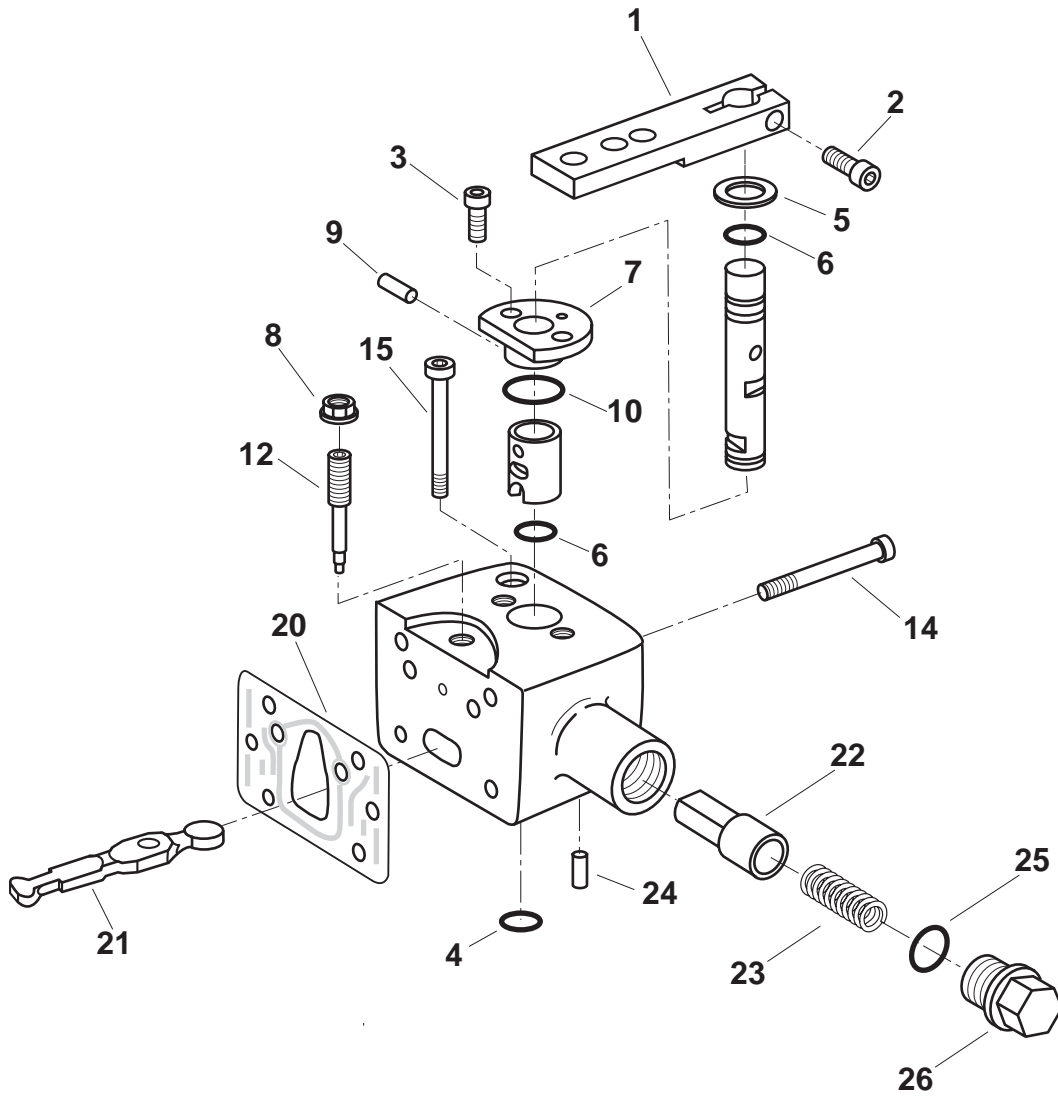
▲ Contained in Seal Kit (N) 5410-635-034

□ Included with HU00447281

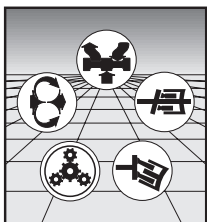
◆ Included with 76107-004



HW Control



Assembly Number
HU00606886



REXROTH CORPORATION

MOBILE HYDRAULICS DIVISION

HW Control

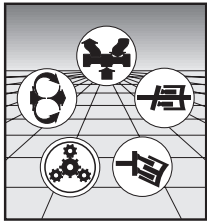
Assembly Number

HU00606886

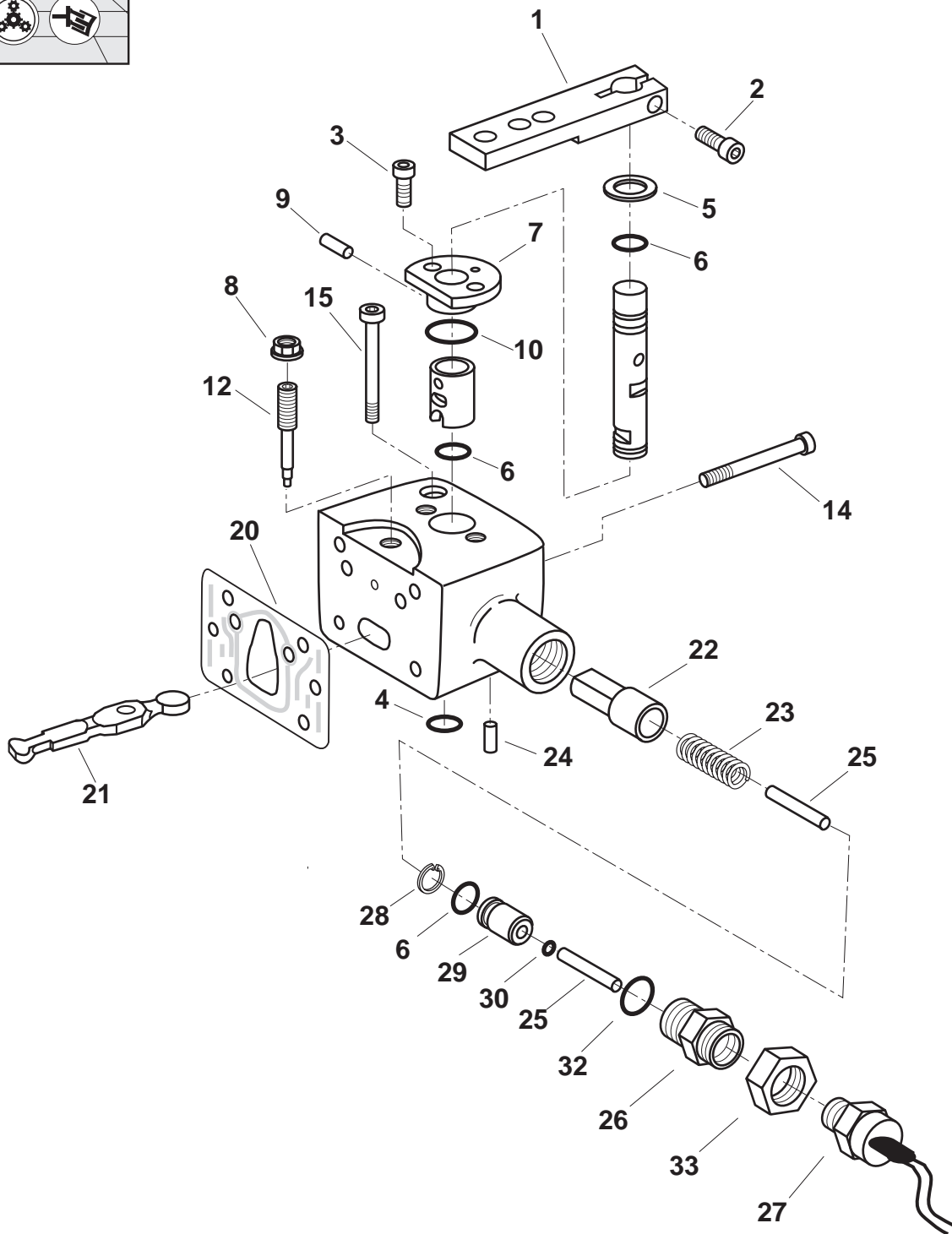
Item	Description	Qty	Part Number	
1	Handle	1	HU00401723	
2	Cap Screw (M5 x 20 DIN 912-8.8)	1	60118-037	
3	Cap Screw (M5 x 10 DIN 6912-8.8)	2	60140-010	
4	O-Ring (70 Duro Buna PRP-108)	1	68101-108	*▲
5	Shim (14 x 20 x 1 DIN 988)	1	HU00153380	
6	O-Ring (70 Duro Buna PRP-012)	2	68101-012	*▲
7	Cover	1	HU00650255	
8	Seal Nut (M6)	1	65110-003	*▲
9	Needle Roller	1	HU00156217	
10	O-Ring (70 Duro Buna PRP-019)	1	68101-019	*▲
12	Eccentric Screw	1	HU00443742	
14	Cap Screw (M6 x 70 DIN 6912-8.8)	4	60140-081	
15	Cap Screw (M6 x 50 DIN 6912-8.8)	1	60140-028	
20	Gasket	1	HU00443724	*▲
21	Feed Back Lever	1	HU00432488	
22	Spring Retainer	1	HU00650254	
23	Spring	1	HU00421991	
24	Dowell Pin (M4 x 10 DIN 6325)	1	69116-018	
25	O-Ring (90 Duro Buna PRP-115)	1	68104-115	*▲
26	Cap (M20 x 1.5 DIN 910-5.8)	1	HU00086753	

* Contained in Seal Kit (P) 5410-635-033

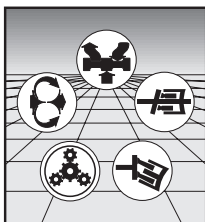
▲ Contained in Seal Kit (N) 5410-635-034



HW (L) Control



Assembly Number
HU00607224



REXROTH CORPORATION

MOBILE HYDRAULICS DIVISION

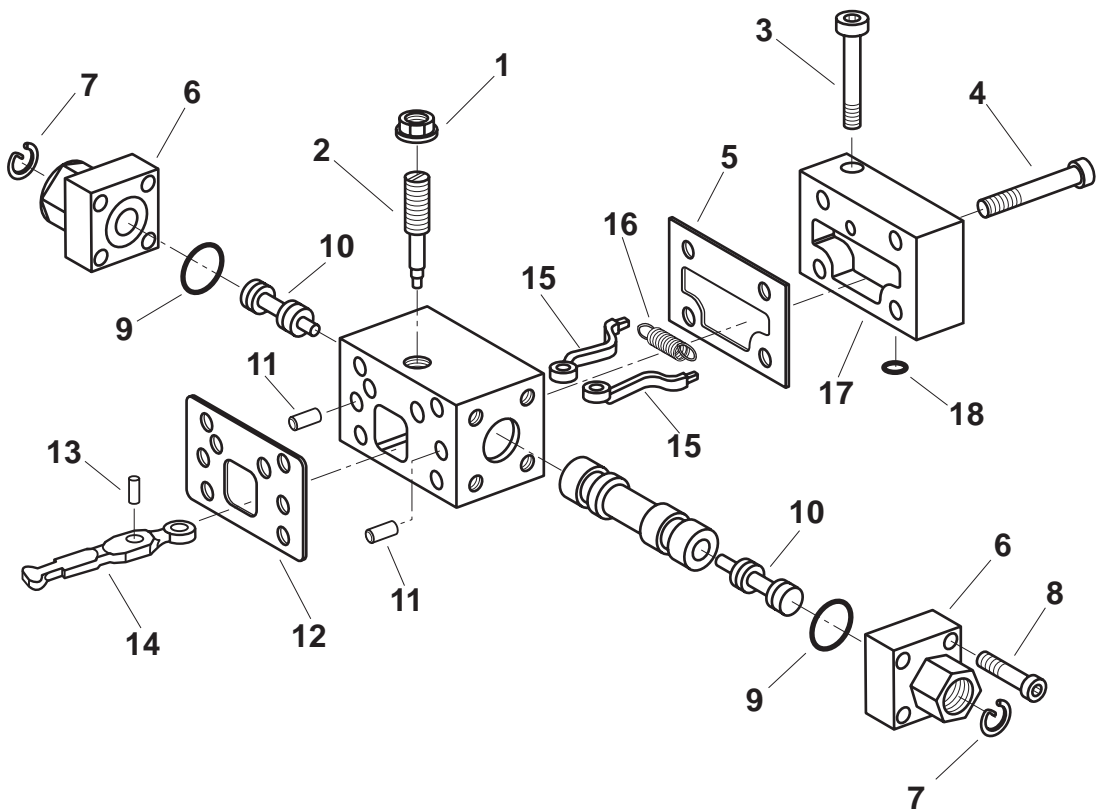
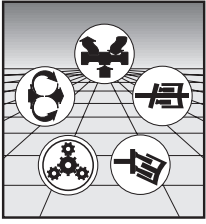
Assembly Number

HU00607224**HW (L) Control**

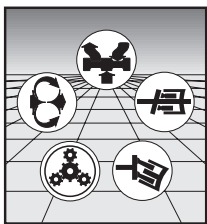
Item	Description	Qty	Part Number	
1	Handle	1	HU00401723	
2	Cap Screw (M5 x 20 DIN 912-8.8)	1	60118-037	
3	Cap Screw (M5 x 10 DIN 912-8.8)	2	60140-010	
4	O-Ring (70 Duro Buna PRP-108)	1	68101-108	*▲
5	Shim (14 x 20 x 1 DIN 988)	1	HU00153380	
6	O-Ring (70 Duro Buna PRP-012)	3	68101-012	*▲
7	Cover	1	HU00650255	
8	Seal Nut (M6)	1	65110-003	*▲
9	Needle Roller	1	HU00156217	
10	O-Ring (70 Duro Buna PRP-019)	1	68101-019	*▲
12	Eccentric Screw	1	HU00443742	
14	Cap Screw (M6 x 70 DIN 6912-8.8)	4	60140-081	
15	Cap Screw (M6 x 50 DIN 912-8.8)	1	60118-028	
20	Gasket	1	HU00443724	*▲
21	Feed Back Lever	1	HU00432488	
22	Spring Retainer	1	HU00651844	
23	Spring	1	HU00421991	
24	Dowell Pin (M4 x 10 DIN 6325)	1	69116-018	
25	Pin (3 x 32 DIN 5402)	2	HU00651973	
26	Adapter	1	HU00444527	
27	Switch	1	HU00830731	
28	Snap Ring (M14 x 1 DIN 472)	1	HU00083380	
29	Seal Bushing	1	HU00444528	
30	O-Ring (70 Duro Buna PRP-006)	1	68101-006	*▲
32	O-Ring (90 Duro Buna PRP-115)	1	68104-115	*▲
33	Jam Nut (BM 20 x 1.5 DIN 439-04AU)	1	HU00830212	

* Contained in Seal Kit (P) 5410-635-033

▲ Contained in Seal Kit (N) 5410-635-034



Assembly Number
HU00601717



REXROTH CORPORATION

MOBILE HYDRAULICS DIVISION

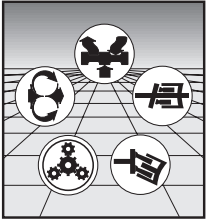
HD Control

Assembly Number
HU00601717

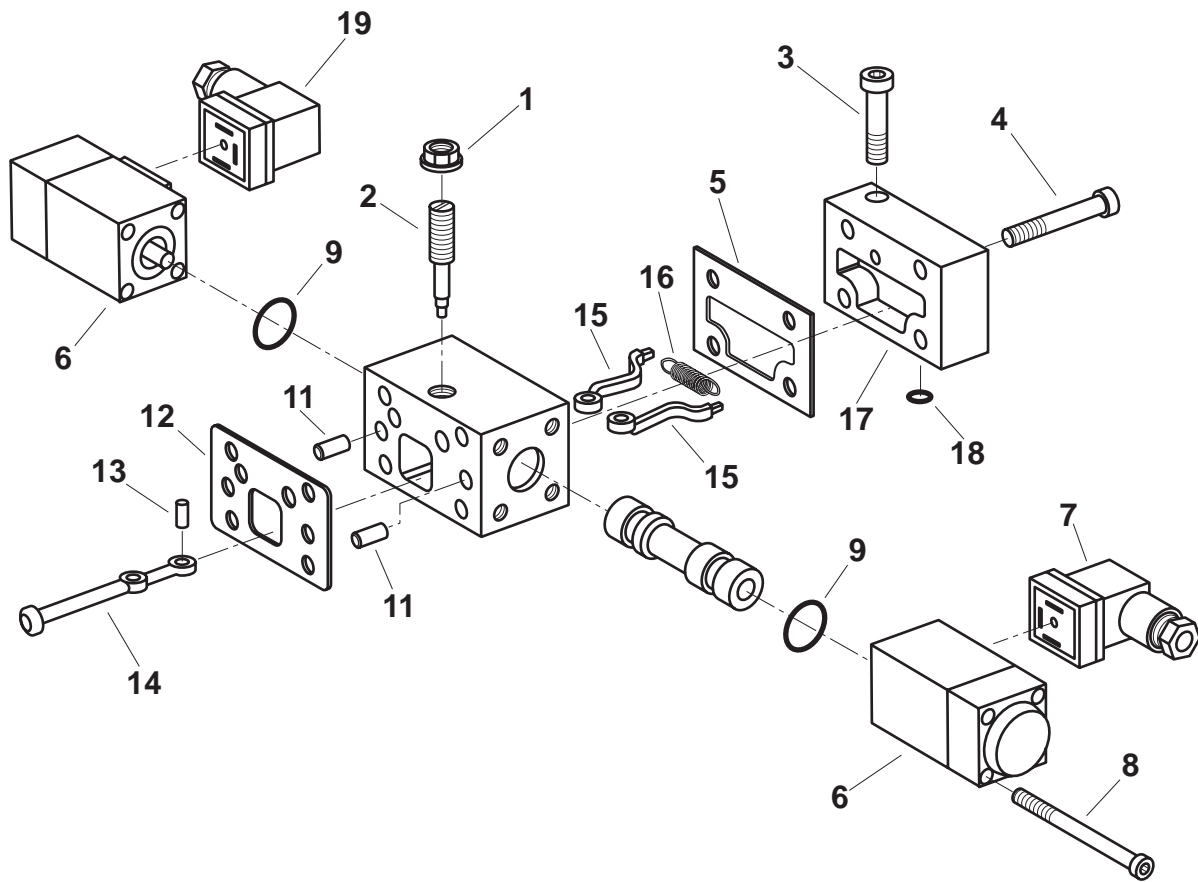
Item	Description	Qty	Part Number	
1	Seal Nut (M6)	1	65110-003	*▲
2	Eccentric Screw	1	HU00449837	
3	Cap Screw (M6 x 45 DIN 6912-8.8)	1	60140-094	
4	Cap Screw (M6 x 70 DIN 6912-8.8)	4	60140-081	
5	Gasket	1	HU00440374	*▲
6	End Cover	2	HU00651540	
7	Retaining Clip	2	HU00156539	
8	Cap Screw (M4 x 20 DIN 912-8.8)	8	60118-020	
9	O-Ring (70 Duro Buna PRP-018)	2	68101-018	*▲
10	Piston	2	HU00439379	
11	Dowell Pin (M6 x 14 DIN 6325)	2	69116-005	
12	Gasket	1	HU00443724	*▲
13	Bevel Pin	1	HU00151552	
14	Feedback Lever	1	HU00432509	
15	Lever Arm	2	HU00417155	
16	Feedback Spring	1	HU00921218	
17	Cover	1	HU00443442	
18	O-Ring (70 Duro Buna PRP-109)	1	68101-109	*▲

* Contained in Seal Kit (P) 5410-635-033

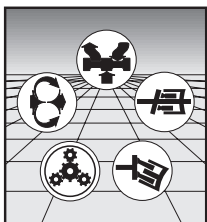
▲ Contained in Seal Kit (N) 5410-635-034



EP1 Control



Assembly Number
HU00601622



REXROTH CORPORATION

MOBILE HYDRAULICS DIVISION

EP1 Control

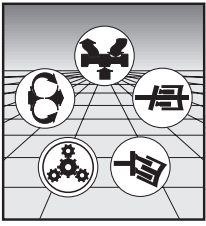
Assembly Number
HU00601622

Item	Description	Qty	Part Number	
1	Seal Nut (M6)	1	65110-003	*▲
2	Eccentric	1	HU00449837	
3	Cap Screw (M6 x 45 DIN 6912-8.8)	1	60140-094	
4	Cap Screw (M6 x 70 DIN 6912-8.8)	4	60140-081	
5	Gasket	1	HU00440374	*▲
6	Solenoid (12 Volts)	2	HU00441691	
7	Connector Plug (Gray)	1	HU00152503	
8	Cap Screw (M4 x 50 DIN 912-8.8)	8	60118-027	◆
9	O-Ring (70 Duro Buna PRP-018)	2	68101-018	*▲
11	Dowell Pin (M6 x 14 DIN 6325)	2	69116-005	
12	Gasket	1	HU00443724	*▲
13	Pin (3 x 11.8 DIN 5402)	1	HU00151552	
14	Feedback Lever	1	HU00432509	
15	Lever	2	HU00417155	
16	Spring	1	HU00435908	
17	Cover	1	HU00443442	
18	O-Ring (70 Duro Buna PRP-109)	1	68101-109	*▲
19	Connector Plug (Black)	1	HU00085290	

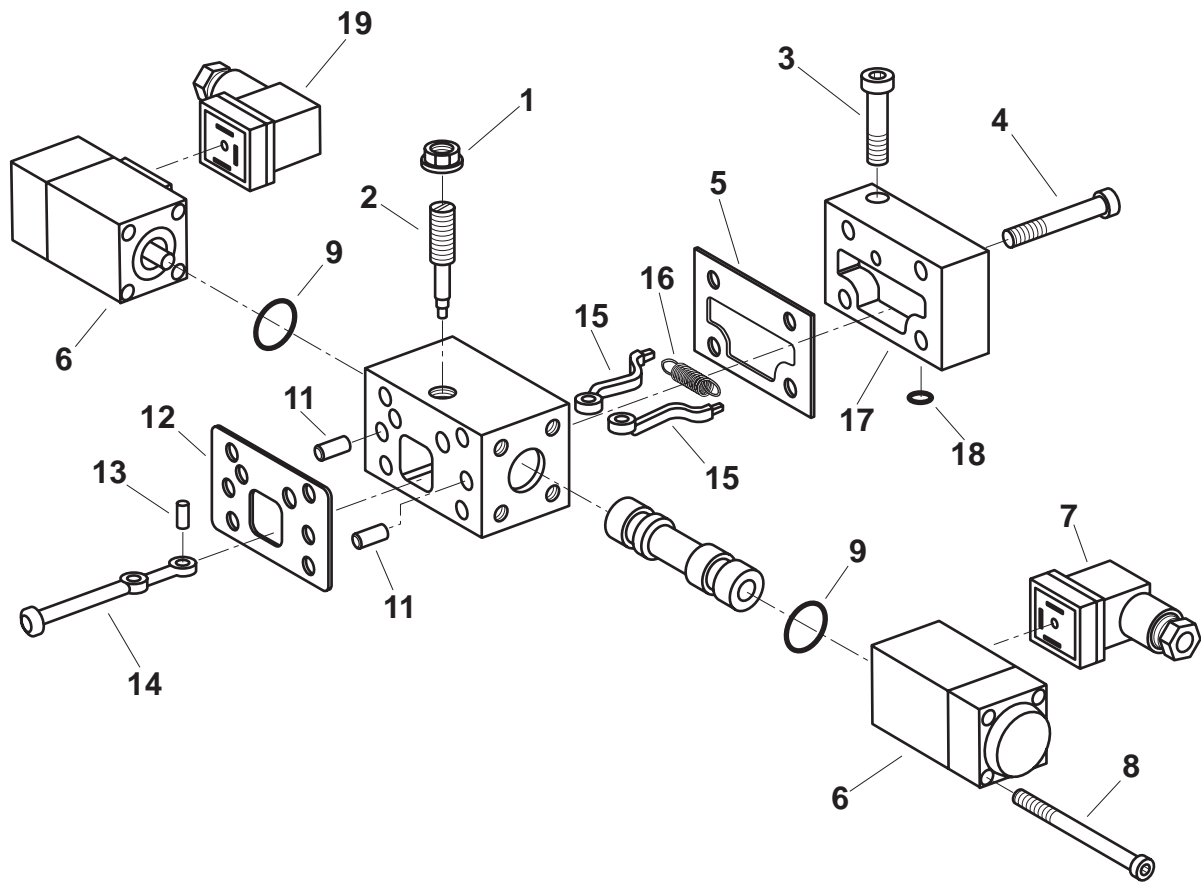
* Contained in Seal Kit (P) 5410-635-033

▲ Contained in Seal Kit (N) 5410-635-034

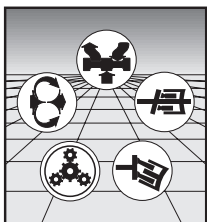
◆ Included with HU00441691



EP2 Control



Assembly Number
HU00601621



REXROTH CORPORATION

MOBILE HYDRAULICS DIVISION

EP2 Control

Assembly Number
HU00601621

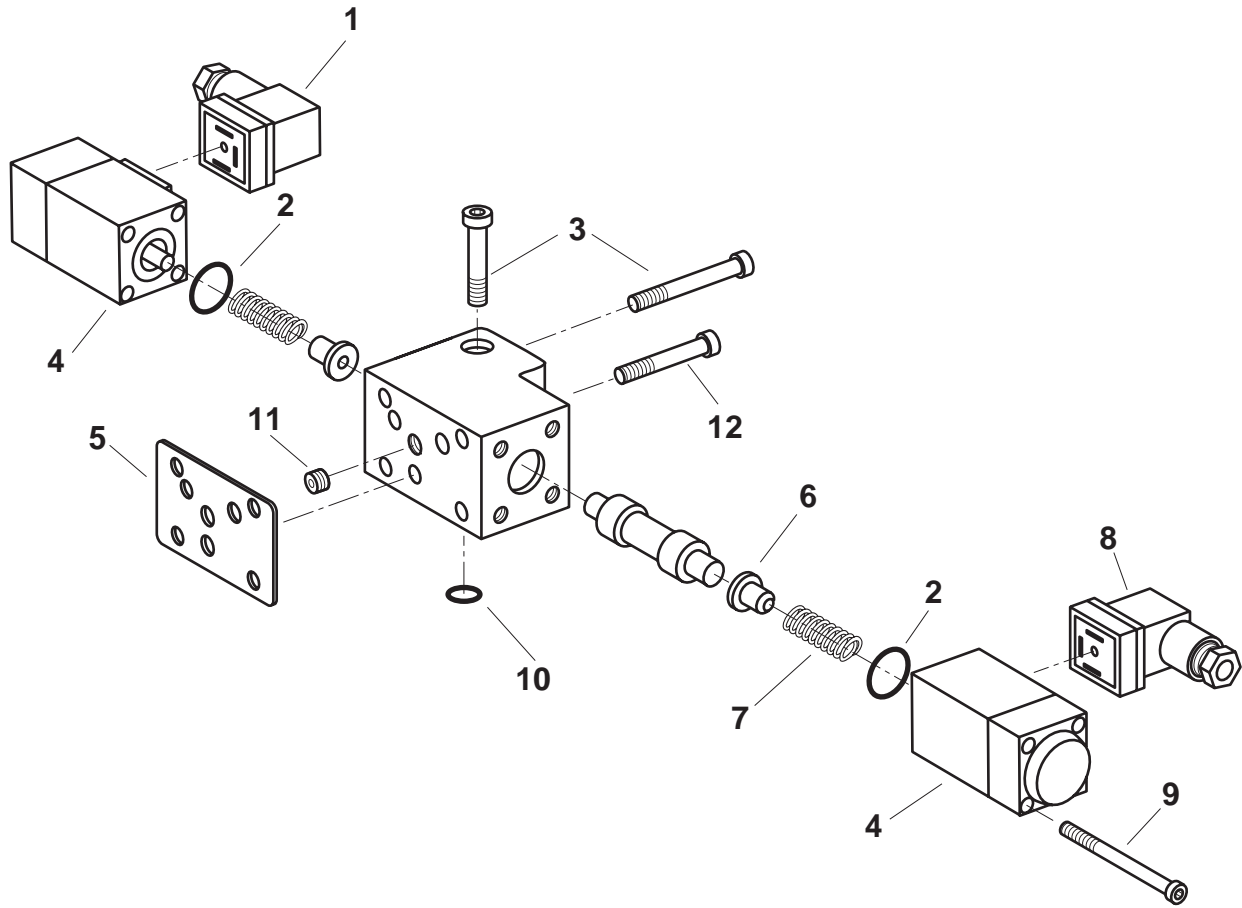
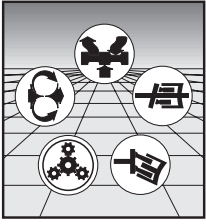
Item	Description	Qty	Part Number	
1	Seal Nut (M6)	1	65110-003	*▲
2	Eccentric	1	HU00449837	
3	Cap Screw (M6 x 45 DIN 6912-8.8)	1	60140-094	
4	Cap Screw (M6 x 70 DIN 6912-8.8)	4	60140-081	
5	Gasket	1	HU00440374	*▲
6	Solenoid (24 Volts)	2	HU00441692	
7	Connector Plug (Gray)	1	HU00152503	
8	Cap Screw (M4 x 50 DIN 912-8.8)	8	60118-027	◆
9	O-Ring (70 Duro Buna PRP-018)	2	68101-018	*▲
11	Dowell Pin (M6 x 14 DIN 6325)	2	69116-005	
12	Gasket	1	HU00443724	*▲
13	Pin (3 x 11.8 DIN 5402)	1	HU00151552	
14	Feedback Lever	1	HU00432509	
15	Lever	2	HU00417155	
16	Spring	1	HU00435908	
17	Cover	1	HU00443442	
18	O-Ring (70 Duro Buna PRP-109)	1	68101-109	*▲
19	Connector Plug (Black)	1	HU00085290	

* Contained in Seal Kit (P) 5410-635-033

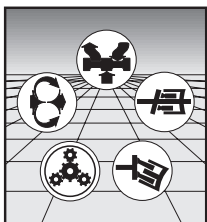
▲ Contained in Seal Kit (N) 5410-635-034

◆ Included with HU00441692

EZ1 Control



Assembly Number
HU00600074



REXROTH CORPORATION

MOBILE HYDRAULICS DIVISION

EZ1 Control

Assembly Number

HU00600074

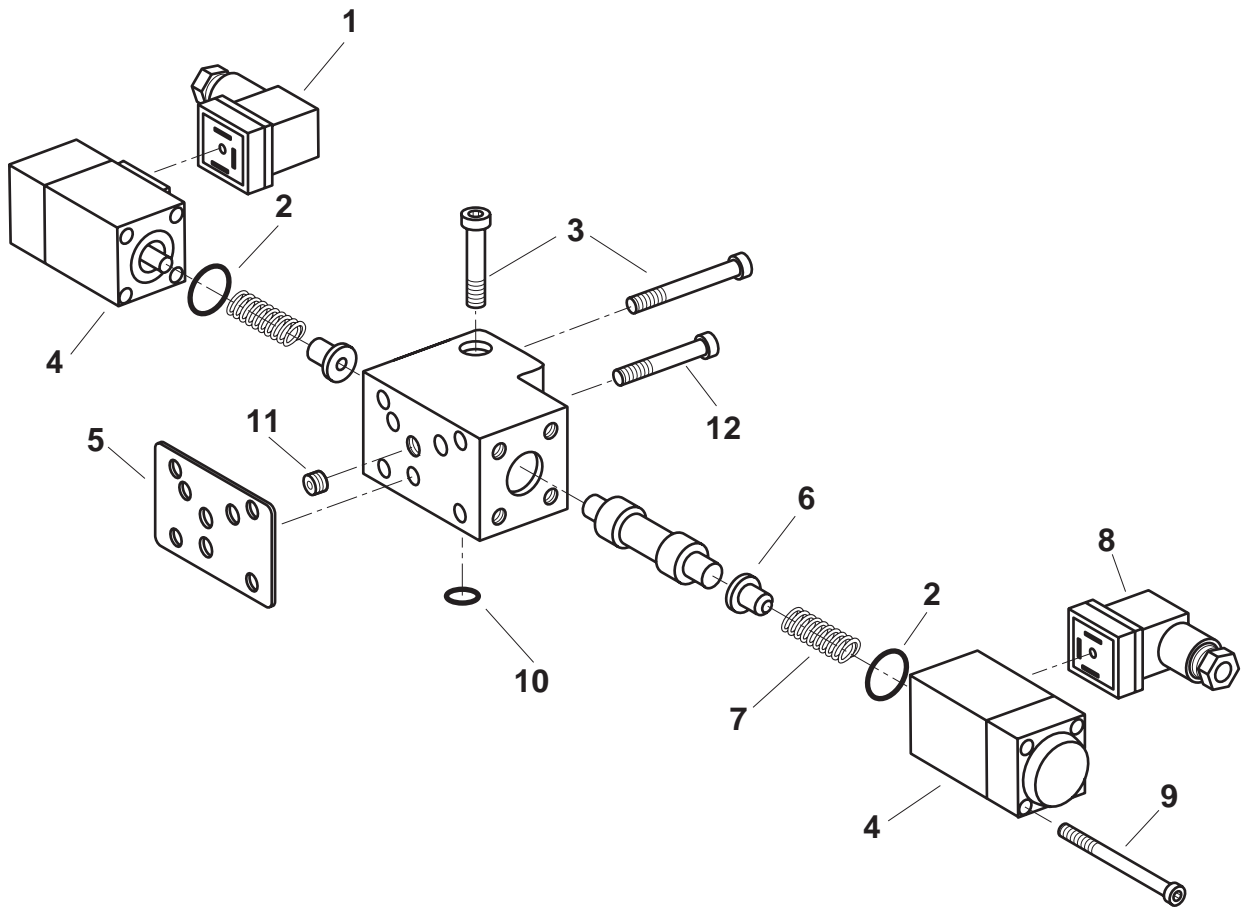
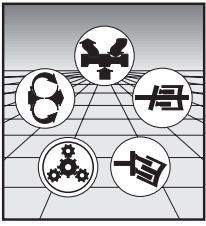
Item	Description	Qty	Part Number	
1	Connector Plug (Gray)	1	HU00152503	
2	O-Ring (70 Duro Buna PRP-016)	2	68101-016	*▲
3	Cap Screw (M6 x 45 DIN 912-8.8)	3	60118-064	
4	Solenoid (12 Volts)	2	HU00428265	
5	Gasket	1	HU00443724	*▲
6	Spring Collar	2	HU00069544	
7	Spring	1	HU00071362	
8	Connector Plug (Black)	1	HU00085290	
9	Cap Screw (M4 x 50 DIN 912-8.8)	8	60118-027	□
10	O-Ring (70 Duro Buna PRP-108)	1	68101-108	*▲
11	Plug (M8 x 8 DIN 913-10.9)	1	HU00083493	
12	Cap Screw (M6 x 70 DIN 6912-8.8)	2	60140-081	

* Contained in Seal Kit (P) 5410-635-033

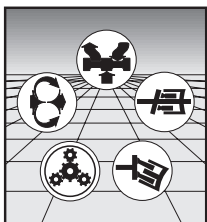
▲ Contained in Seal Kit (N) 5410-635-034

□ Included with HU00428265

EZ2 Control



Assembly Number
HU00600076



REXROTH CORPORATION

MOBILE HYDRAULICS DIVISION

EZ2 Control

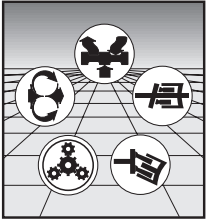
Assembly Number
HU00600076

Item	Description	Qty	Part Number	
1	Connector Plug (Gray)	1	HU00152503	
2	O-Ring (70 Duro Buna PRP-016)	2	68101-016	*▲
3	Cap Screw (M6 x 45 DIN 912-8.8)	3	60118-064	
4	Solenoid (24 Volts)	2	HU00428266	
5	Gasket	1	HU00443724	*▲
6	Spring Collar	2	HU00069544	
7	Spring	1	HU00071362	
8	Connector Plug (Black)	1	HU00085290	
9	Cap Screw (M4 x 50 DIN 912-8.8)	8	60118-027	□
10	O-Ring (70 Duro Buna PRP-108)	1	68101-108	*▲
11	Plug (M8 x 8 DIN 913-10.9)	1	HU00083493	
12	Cap Screw (M6 x 70 DIN 6912-8.8)	2	60140-081	

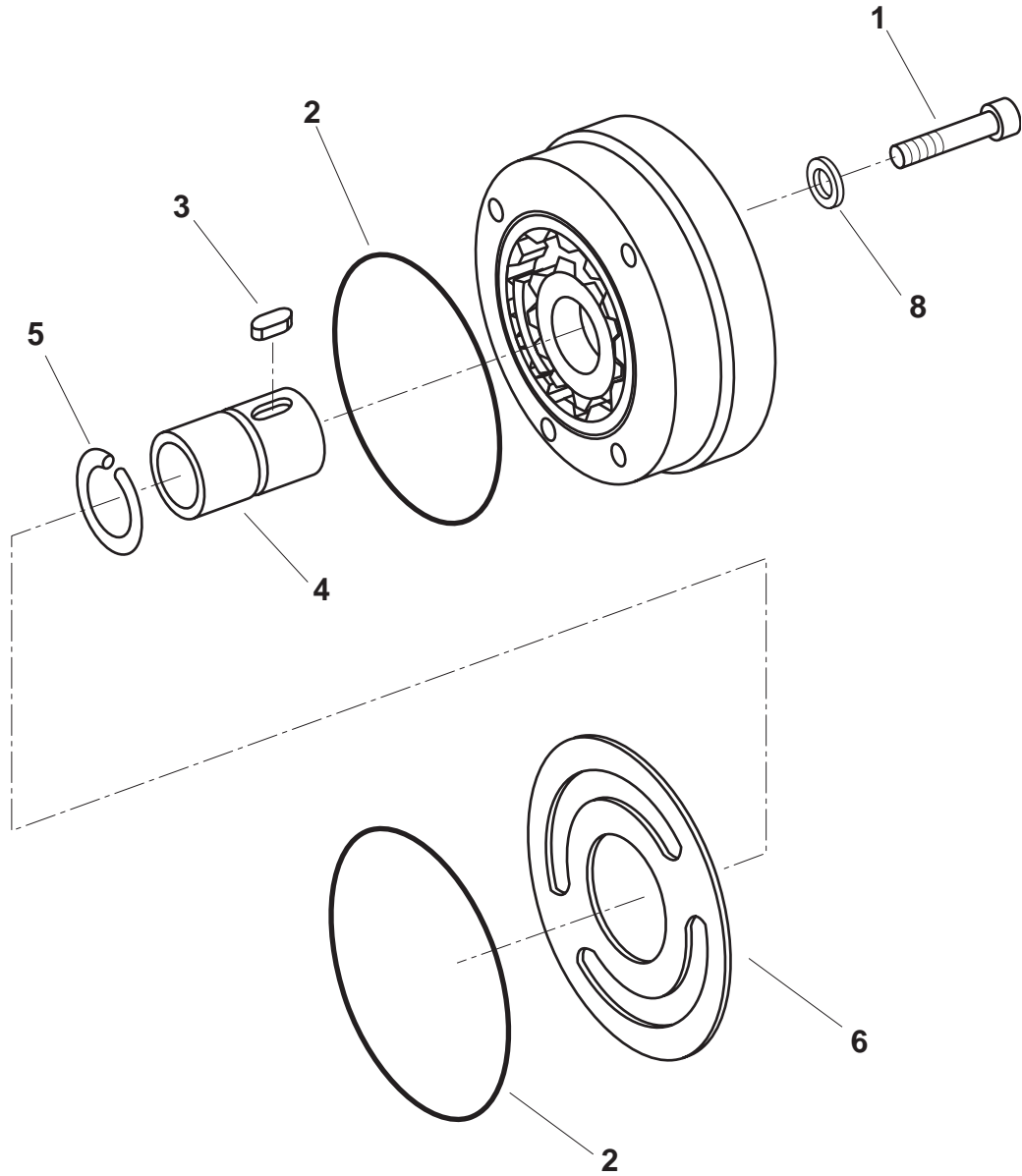
* Contained in Seal Kit (P) 5410-635-033

▲ Contained in Seal Kit (N) 5410-635-034

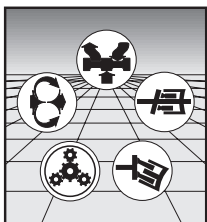
□ Included with HU00428266



Charge Pump (F00)



Assembly Number
HU00606688



REXROTH CORPORATION

MOBILE HYDRAULICS DIVISION

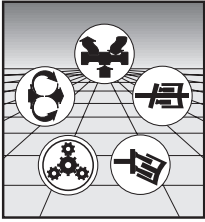
Charge Pump (F00)

Assembly Number
HU00606688

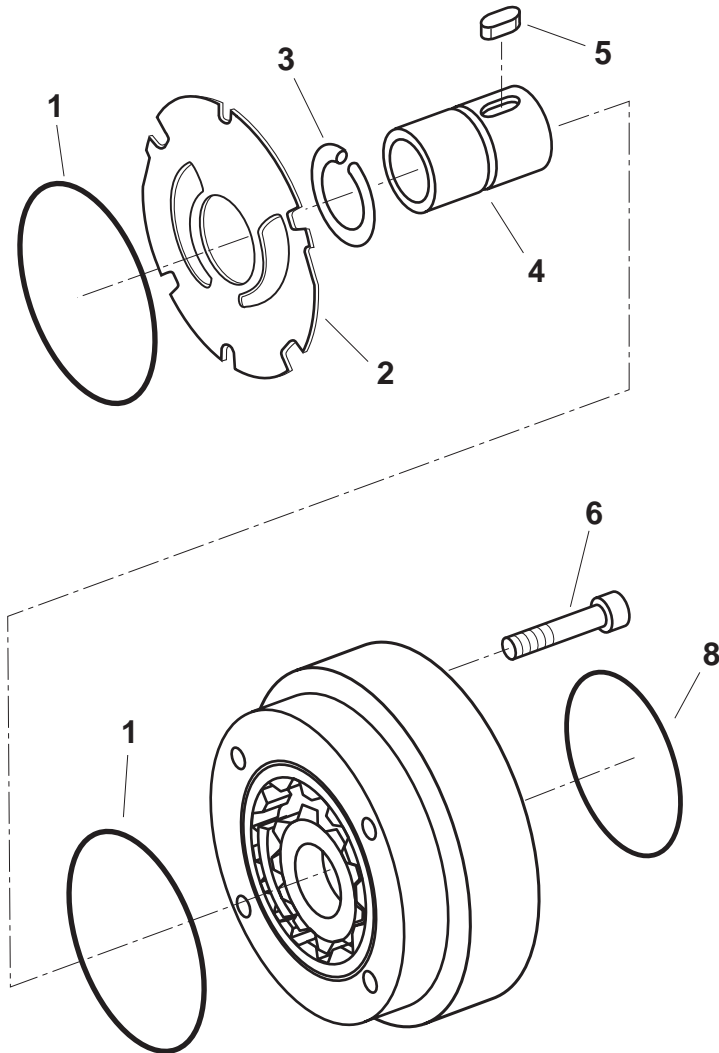
Item	Description	Qty	Part Number	
1	Cap Screw (M8 x 30 DIN 912-10.9)	4	60119-081	
2	Quad-Ring	2	HU00830379	*▲
3	Key	1	HU00445371	
4	Drive Shaft	1	HU00650381	
5	Retaining Ring (32 x 2.5 DIN7993)	1	71130-018	
6	Wear Plate	1	HU00650742	
8	Lock Washer	4	61116-003	

* Contained in Seal Kit (P) 5410-635-033

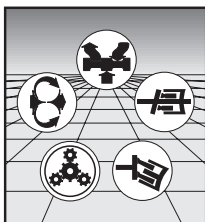
▲ Contained in Seal Kit (N) 5410-635-034



Thru Drive Charge Pump (F01...SAE-A)



Assembly Number
HU00606691



REXROTH CORPORATION

MOBILE HYDRAULICS DIVISION

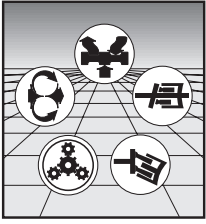
Thru Drive Charge Pump
(F01...SAE-A)

Assembly Number
HU00606691

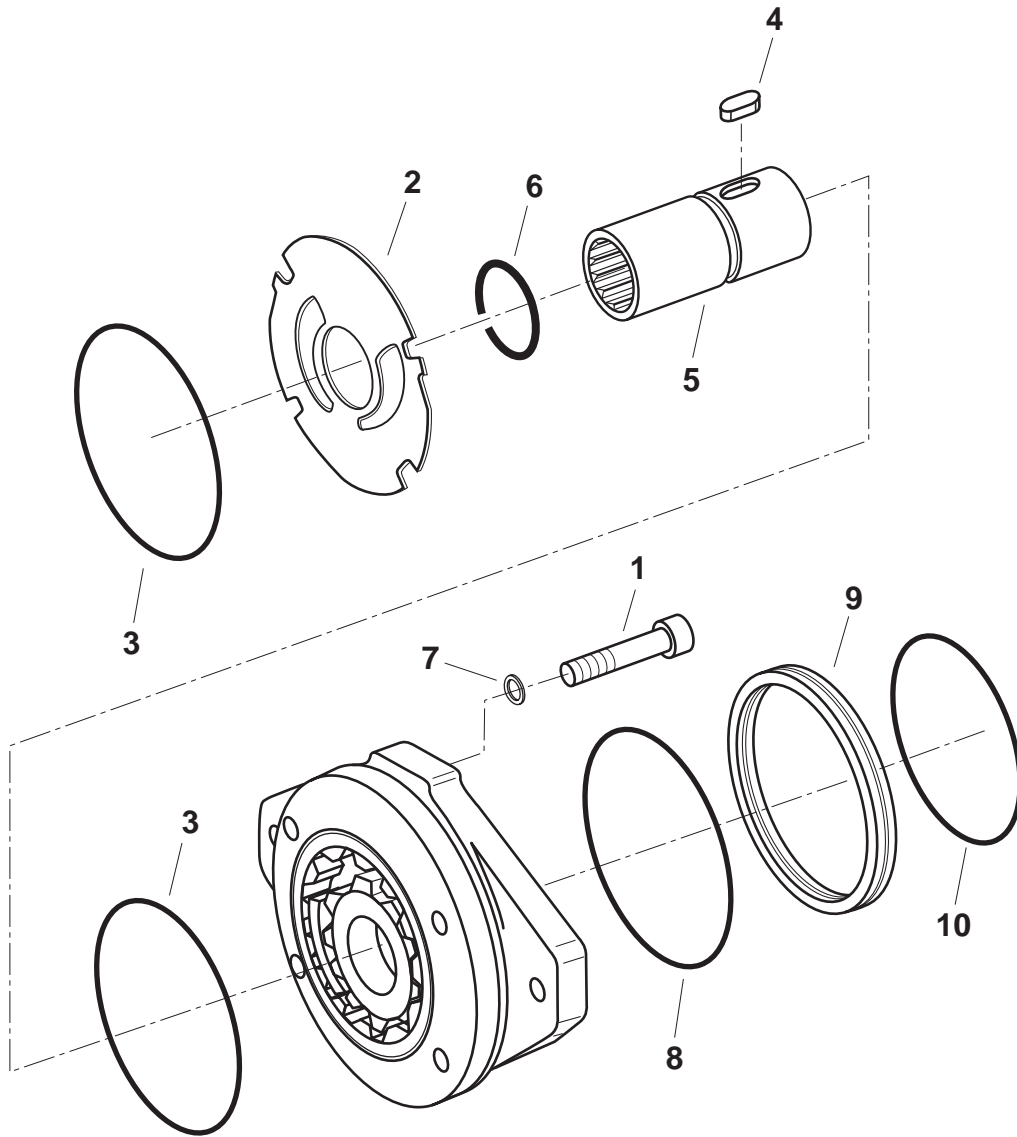
Item	Description	Qty	Part Number	
1	Quad Ring	2	HU00830379	*▲
2	Wear Plate	1	HU00650742	
3	Retaining Ring (M32 x 2.5 DIN 7993)	1	71130-018	
4	Thru-Drive Coupling (SAE "A")	1	HU00650395	
5	Key	1	HU00445371	
6	Cap Screw (M8 x 35 DIN 912-10.9)	4	60119-082	
8	O-Ring (90 Duro Buna PRP-042)	1	68104-042	*▲

* Contained in Seal Kit (P) 5410-635-033

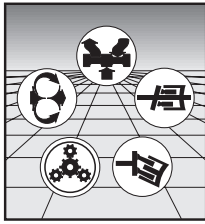
▲ Contained in Seal Kit (N) 5410-635-034



Thru Drive Charge Pump (F02...SAE-B)



Assembly Number
HU00606694



REXROTH CORPORATION

MOBILE HYDRAULICS DIVISION

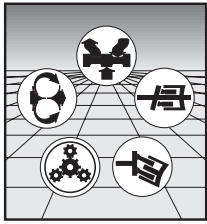
Thru Drive Charge Pump
(F02...SAE-B)

Assembly Number
HU00606694

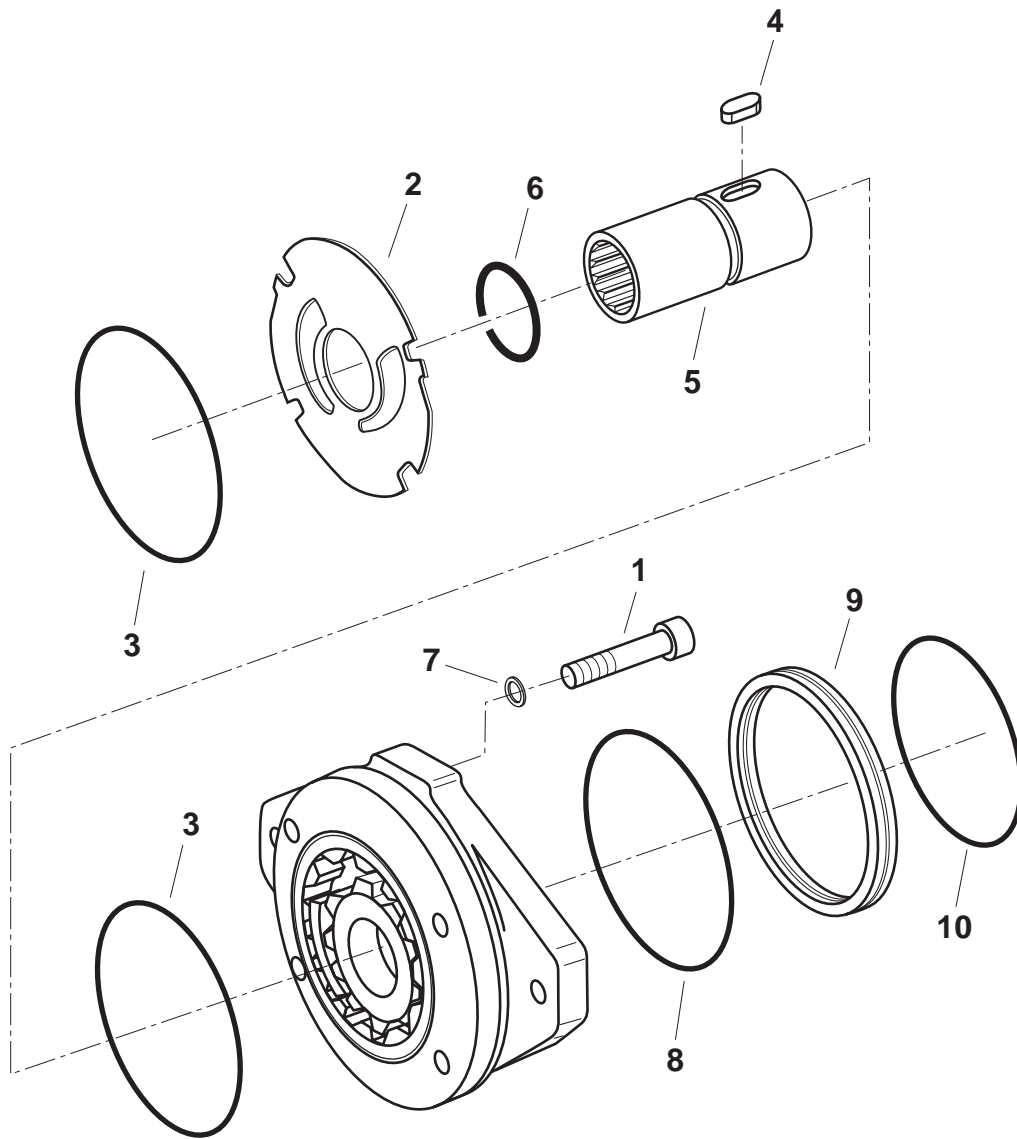
Item	Description	Qty	Part Number	
1	Cap Screw (M8 x 30 DIN 912-10.9)	4	60119-081	
2	Wear Plate	1	HH00650742	
3	Quad Ring	2	HU00830379	*▲
4	Key	1	HU00445371	
5	Thru-Drive Coupling (SAE "B")	1	HU00650396	
6	Retaining Ring (32 x 2.5 DIN 7993)	1	71130-018	
7	Usit-Ring (M8.7 x 13 x 1 FP)	4	HU00152493	*▲
8	O-Ring (90 Duro Buna PRP-156)	1	68104-156	*▲
9	Centering Ring	1	HU00430501	
10	O-Ring (70 Duro Buna PRP-155)	1	68101-155	*▲

* Contained in Seal Kit (P) 5410-635-033

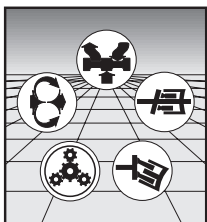
▲ Contained in Seal Kit (N) 5410-635-034



Thru Drive Charge Pump (F04...SAE-BB)



Assembly Number
HU00606700



REXROTH CORPORATION

MOBILE HYDRAULICS DIVISION

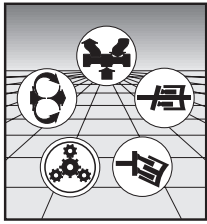
Thru Drive Charge Pump
(F04...SAE-BB)

Assembly Number
HU00606700

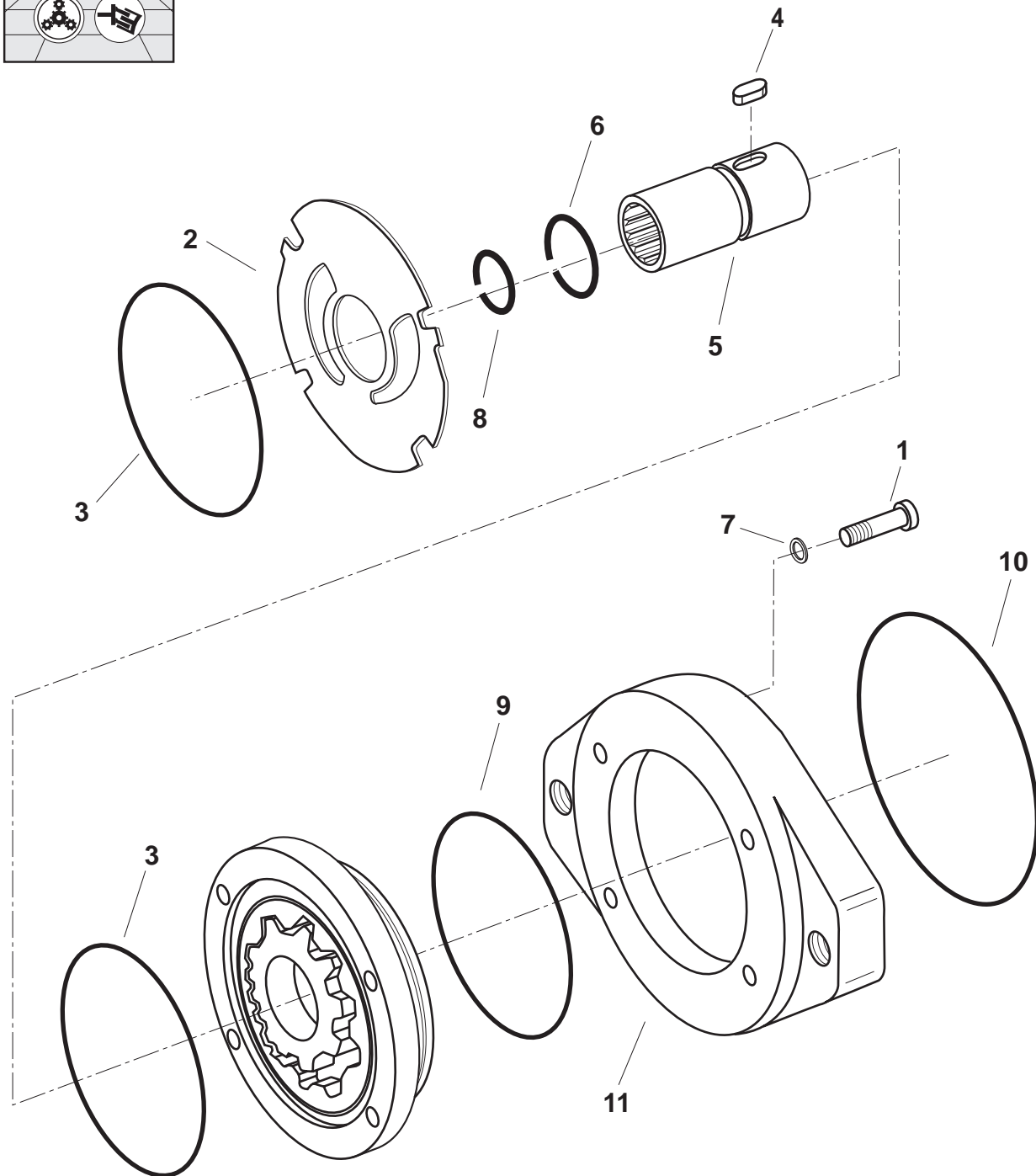
Item	Description	Qty	Part Number	
1	Cap Screw (M8 x 30 DIN 912-10.9)	4	60119-081	
2	Wear Plate	1	HU00650742	
3	Quad Ring	2	HU00830379	*▲
4	Key	1	HU00445371	
5	Thru-Drive Coupling (SAE "BB")	1	HU00650381	
6	Retaining Ring (32 x 2.5 DIN 7993)	1	71130-018	
7	Usit-Ring (M8.7 x 13 x 1 FP)	4	HU00152493	*▲
8	O-Ring (90 Duro Buna PRP-156)	1	68104-156	*▲
9	Centering Ring	1	HU00430501	
10	O-Ring (70 Duro Buna PRP-155)	1	68101-155	*▲

* Contained in Seal Kit (P) 5410-635-033

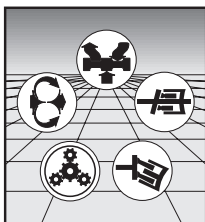
▲ Contained in Seal Kit (N) 5410-635-034



Thru Drive Charge Pump (F09...SAE-BB w/C Pad)



Assembly Number
HU00606687



REXROTH CORPORATION

MOBILE HYDRAULICS DIVISION

Thru Drive Charge Pump
(F09...SAE-BB w/C Pad)

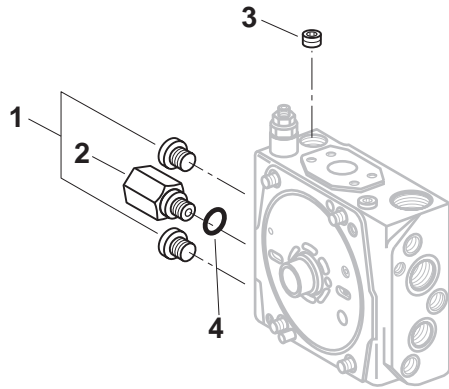
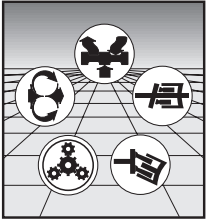
Assembly Number
HU00606687

Item	Description	Qty	Part Number	
1	Cap Screw (M8 x 30 DIN 912-10.9)	4	60119-081	
2	Wear Plate	1	HU00650742	
3	Quad Ring	2	HU00830379	*▲
4	Key	1	HU00445371	
5	Thru-Drive Coupling (SAE "BB")	1	HU00650381	
6	Retaining Ring (35 x 2.5 DIN 7993)	1	71130-018	
7	Usit-Ring (M8.7 x 13 x 1 FP)	4	HU00152493	*▲
8	Retaining Ring (22 x 2 DIN 7993)	1	71129-009	
9	O-Ring (90 Duro Buna PRP-151)	1	68104-151	*▲
10	O-Ring (70 Duro Buna PRP-159)	1	68101-159	*▲
11	Intermediate Flange	1	HU00439127	

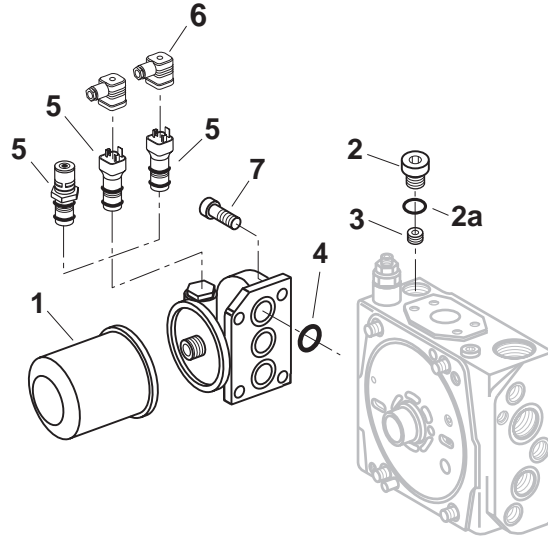
* Contained in Seal Kit (P) 5410-635-033

* Contained in Seal Kit (N) 5410-635-034

Filtrations Options



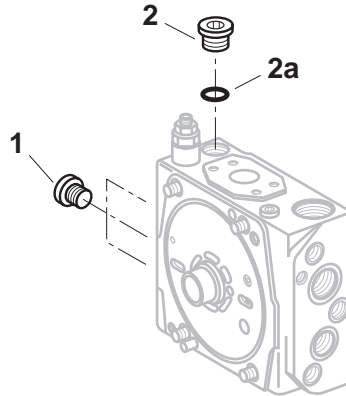
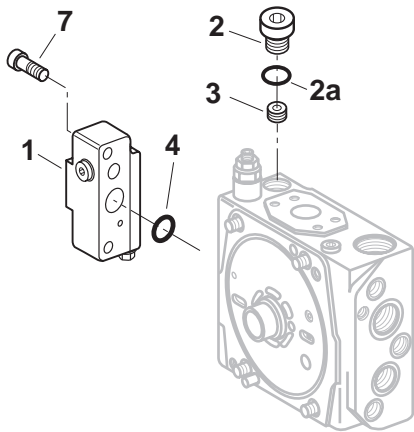
Option D

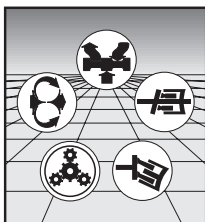


Option's F, P, L, M

Option K

Option S





REXROTH CORPORATION

MOBILE HYDRAULICS DIVISION

Filtrations Options

Item	Description	Qty	Part Number	
Option D				
1	Plug (M18 x 1.5)	2	76116-010	*▲
2	Adapter fitting (M18 to 3/4-16)	1	HU00607033	
3	Plug (M14 x 1.5 DIN 906)	1	76117-001	
4	O-Ring (90 Duro Buna PRP-116)	1	68104-116	*▲
Option F, P, L, M				
1	Filter Element	1	HU00830024	
2	Plug (3/4-12 UNF)	1	76107-008	
2a	O-Ring (90 Duro Buna Tube PRP-908)	1	68105-908	*▲■
3	Plug (M14 x 1.5 DIN 906)	1	76117-001	
4	O-Ring (90 Duro Buna PRP-116)	3	68104-116	*▲
5	Visual Contamination Indicator	1	HU00830834	
5	Electrical Contamination Indicator	1	HU00830265	
5	Visual & Electrical Contamination Indicator	1	HU00830543	
6	Electrical Connector	1	HU00152503	
7	Cap Screw (M8 x 20 DIN 912-8.8)	2	60118-081	
Option K				
1	Cold Start Valve	1	HU02007002	
2	Plug (3/4-12 UNF)	1	76107-008	
2a	O-Ring (90 Duro Buna Tube PRP-908)	1	68105-908	*▲■
3	Plug (M14 x 1.5 DIN 906)	1	76117-001	
4	O-Ring (90 Duro Buna PRP-116)	3	68104-116	*▲
7	Cap Screw (M8 x 30 DIN 912-8.8)	2	60118-084	
Option S				
1	Plug (M18 x 1.5)	3	76116-010	*▲
2	Plug (3/4-12 UNF)	1	76107-008	
2a	O-Ring (90 Duro Buna Tube PRP-908)	1	68105-908	*▲■

* Contained in Seal Kit (P) 5410-635-033

▲ Contained in Seal Kit (N) 5410-635-034

■ Included with 76107-008

Variable Displacement Pump AA4VG Series 32

Specifications, descriptions, and illustrative material shown herein were as accurate as known at the time this publication was printed. Rexroth reserves the right to discontinue models or options at any time or to change specifications, materials, or designs without notice and without incurring obligation.

DISTRIBUTED BY: