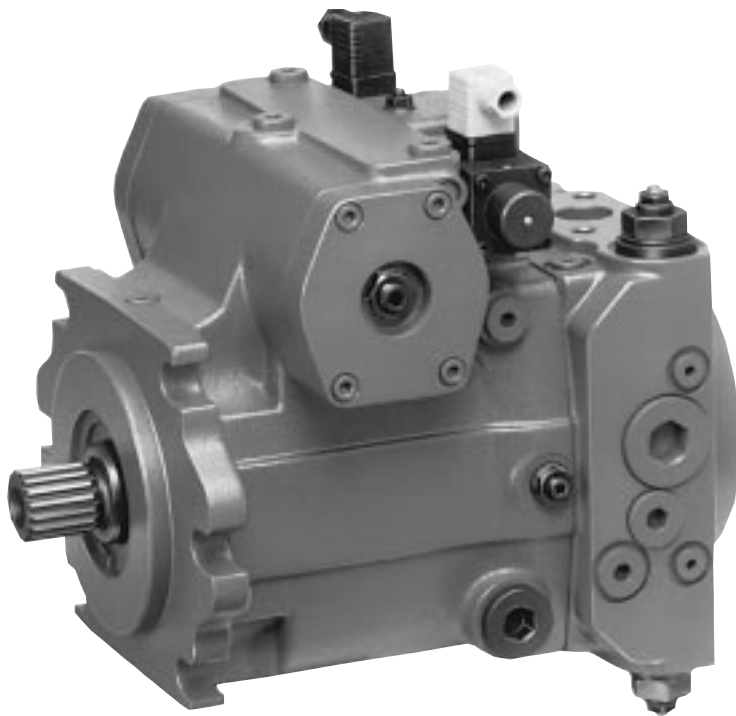


**MANNESMANN
REXROTH**

Mobile Division

E

Service Parts List



AA4VG

Series 32
Size 71

RA 92003-04-E
02.97

Ordering of AA4VG Parts

For Rexroth to supply the correct parts for your unit, please include all of the following information with your parts order.

TYPE CODE
TYPE NUMBER
SERIAL NUMBER
PART NUMBER
PART NAME

Due to modifications and improvements to our products, minor changes can occur to the parts, even though the type code may not necessarily reflect these changes. The type number and serial number will guarantee that the correct parts for your unit are supplied.

HYDROMATIK GMBH ULM (DONAU)		
THE REXROTH CORP., WOOSTER, OHIO		
TYPE		
AA4VG56HDD1/32R-NTC5K045E		
NO		
245.17.05.03		
SERIAL NO.	YEAR	MINERAL OIL
4154287	12.96	OIL
MADE IN GERMANY		
ROTATION		

ORDERING EXAMPLE

To order a replacement charge pump for an AA4VG hydrostatic transmission pump having the above nameplate, the following information would be required.

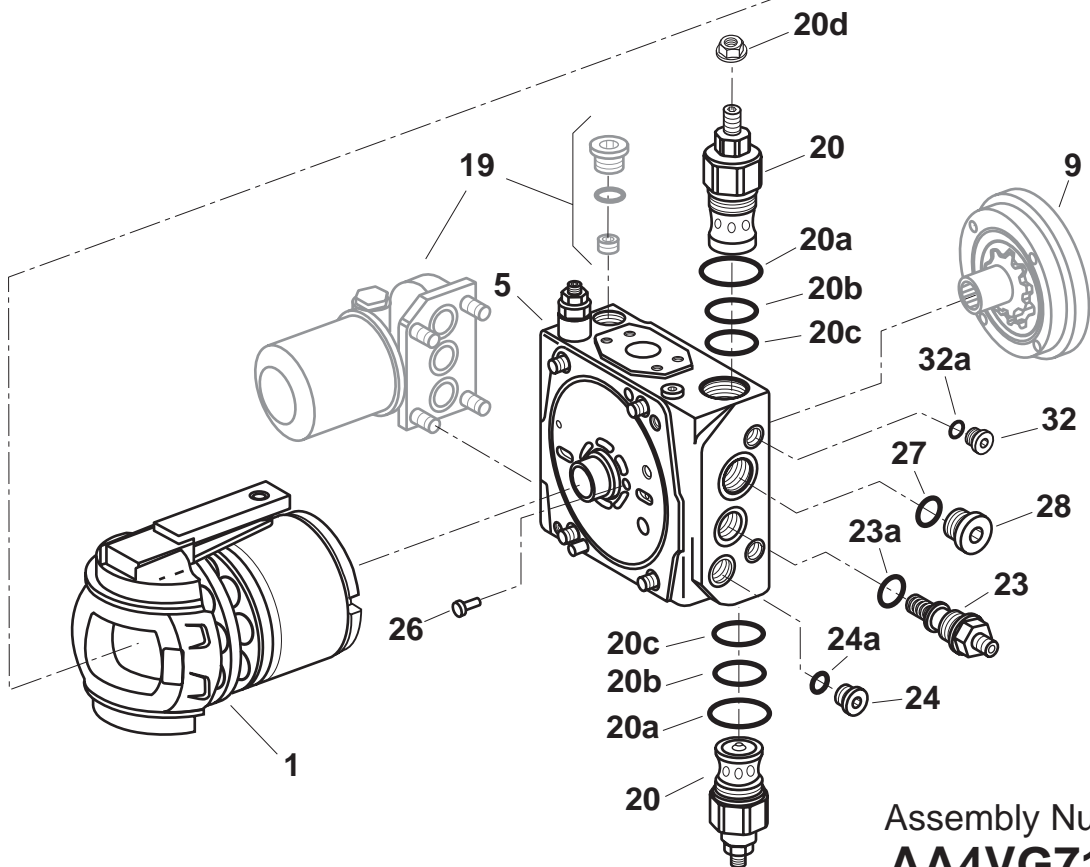
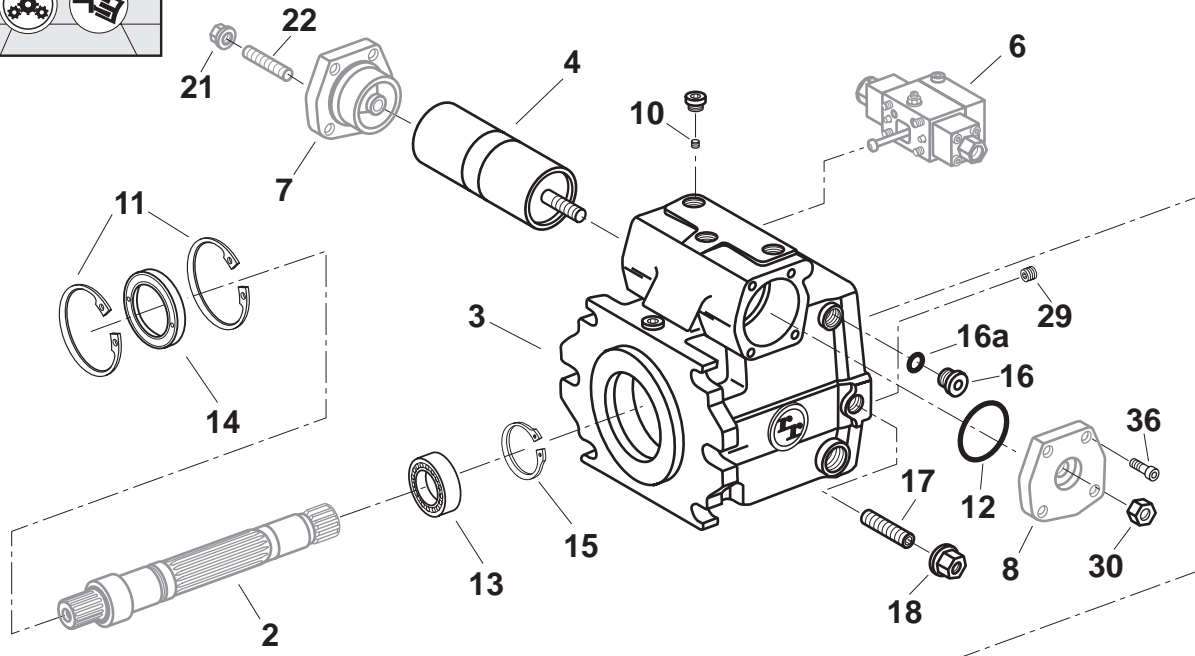
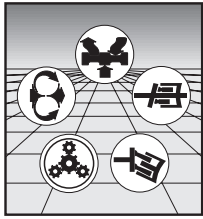
+ Type Code	AA4VG56HDD1/32R-NTC5K045E-S
+ Type Number	252.17.05.03
+ Serial Number	4154287
* Part Number	5421-005-015
* Part Name	Charge Pump

+ This information is taken from the nameplate on the pump.

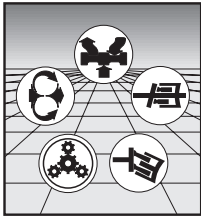
* This information is taken from the Service Parts List.

Index

Rotary Group (AA4VG71.../32R)	Page 8-9
Rotary Group (AA4VG71.../32L)	10-11
Housing Ass'y	12-13
Stroking Piston Ass'y	14-15
Port Block Ass'y	16-17
HW Control	18-19
HW (L) Control	20-21
HD Control	22-23
EP1 Control	24-25
EP2 Control	26-27
EZ1 Control	28-29
EZ2 Control	30-31
Charge Pump (F00)	32-33
Thru Dr. Chg. Pump (F01...SAE-A)	34-35
Thru Dr. Chg. Pump (F02...SAE-B)	36-37
Thru Dr. Chg. Pump (F04...SAE-BB)	38-39
Thru Dr. Chg. Pump (F07...SAE-C)	40-41
Filtration Options	42-43



Assembly Number
AA4VG71/32

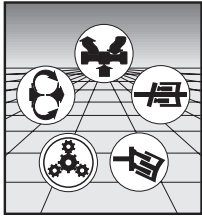


REXROTH CORPORATION

MOBILE HYDRAULICS DIVISION

Assembly Number
AA4VG71/32

Item	Description	Qty	Part Number	
1	Rotary Group Ass'y AA4VG71/32-R		5430-570-007	
1	Rotary Group Ass'y AA4VG71/32-L		5430-570-006	
2	Drive Shaft AA4VG71/32...S		HU00921936	
2	Drive Shaft AA4VG71/32...T		HU00921902	
3	Housing Ass'y	1	<i>Pages 12 & 13</i>	
4	Stroking Piston Ass'y	1	<i>Pages 14 & 15</i>	
5	Port Block Ass'y	1	<i>Pages 16 & 17</i>	
6	Control AA4VG71HW/32 w/o NSS		HU00606891	
6	Control AA4VG71HW/32 w/NSS		HU00607228	
6	Control AA4VG71HD/32		HU00429114	
6	Control AA4VG71EP1/32		HU00428139	
6	Control AA4VG71EP2/32		HU00428138	
6	Control AA4VG71EZ1/32		HU00600074	
6	Control AA4VG71EZ2/32		HU00600076	
7	Stroking Piston Cover AA4VG71...		HU00440243	
7	Stroking Piston Cover AA4VG71...M		HU00921710	
7	Stroking Piston Cover AA4VG71...T		HU00921716	
7	Stroking Piston Cover AA4VG71...M...T		HU00651550	
8	Stroking Piston Cover AA4VG71...		HU00440242	
8	Stroking Piston Cover AA4VG71...M		HU00921709	
8	Stroking Piston Cover AA4VG71...T		HU00921715	
8	Stroking Piston Cover AA4VG71...M...T		HU00651549	
9	Charge Pump AA4VG71/32...F00		HU00606657	
9	Thru Dr. Chg. Pump ...F01 (SAE-A)		HU00606655	
9	Thru Dr. Chg. Pump ...F02 (SAE-B)		HU00606661	
9	Thru Dr. Chg. Pump ...F04 (SAE-BB)		HU00606658	
9	Thru Dr. Chg. Pump ...F07 (SAE-C)		HU00606660	



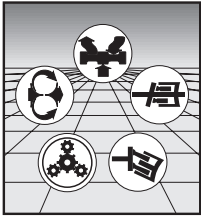
REXROTH CORPORATION

MOBILE HYDRAULICS DIVISION

Assembly Number
AA4VG71/32

Item	Description	Qty	Part Number	
10	Stroking Time Orifice (0.8 mm)		HU00156492	
10	Stroking Time Orifice (1.0 mm)		HU00156493	
10	Stroking Time Orifice (1.2 mm)	2	HU00156494	
10	Stroking Time Orifice (1.4 mm)		HU00156495	
10	Stroking Time Orifice (1.6 mm)		HU00156496	
10	Stroking Time Orifice (1.8 mm)		HU00156497	
11	Snap Ring (80 x 2.5 DIN 984)	2	HU02600001	
12	O-Ring (70 Duro Buna PRP-148)	2	68101-148	*▲
13	Front Bearing	1	HU00153104	
14	Shaft Seal-Buna		HU00830971	*
14	Shaft Seal-FPM		HU00830977	▲
15	Snap Ring (40 x 1.75 DIN 471)	1	71119-009	
16	Plug (9/16-18)	1	76107-006	
16a	O-Ring (90 Duro Buna Tube PRP-906)	1	68105-906	*▲■
17	Threaded Pin (M12 x 1.5DIN 913-10.9)	1	HU00154982	
18	Seal Nut (M12 x 1.5)	1	65110-008	*▲
19	Filtration Options	1	<i>Pages 42 & 43</i>	
20	H.P.R.V. w/ Tow Option (1450-6100 psi)	2	HU02600466	
20a	O-Ring (90 Duro Buna PRP-123)	2	68104-123	*▲□
20b	Back-Up Ring (23.5 x 28 x 1.04)	2	RR00014145	*▲□
20c	O-Ring (90 Duro Buna PRP-119)	2	68104-119	*▲□
20d	JamNut (M14 x 1)	2	RR00646747	□
21	Seal Nut (M10 x 1)		65110-007	*▲

- * Included in Seal Kit (P) 5430-635-025
- ▲ Included in Seal Kit (N) 5430-635-026
- Included with HU00832125
- Included with 76107-006



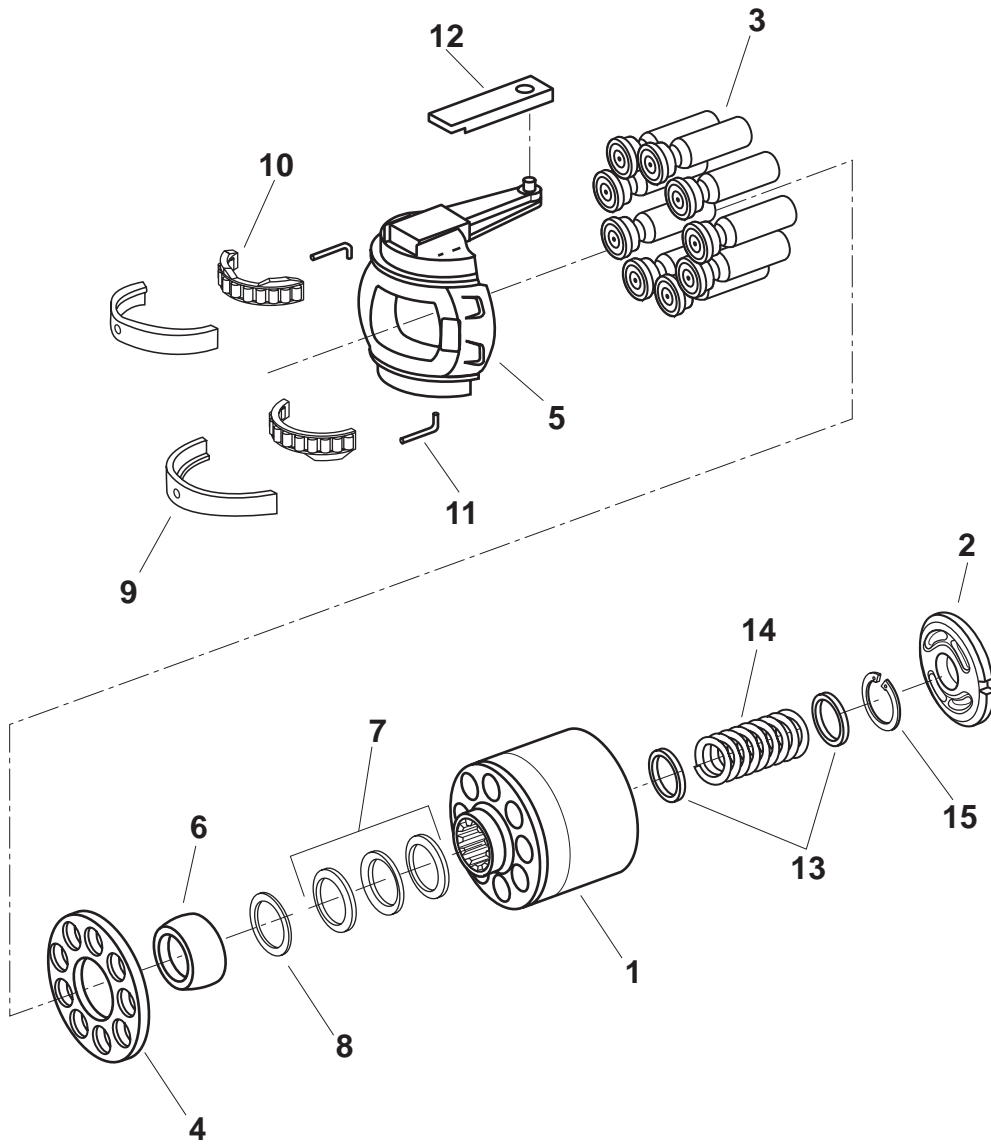
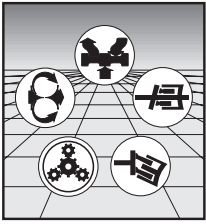
REXROTH CORPORATION

MOBILE HYDRAULICS DIVISION

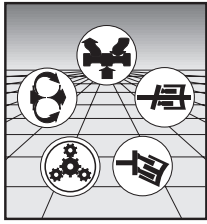
Assembly Number
AA4VG71/32

Item	Description	Qty	Part Number	
22	Stroke Limiting Screw		HU00430349	
23	Charge Relief Valve		HU00434856	
23a	O-Ring (90 Duro Buna PRP-119)	1	68104-119	*▲★
24	Plug (3/4-16)	1	76107-008	
24a	O-Ring (90 Duro Buna Tube PRP-908)	1	68105-908	*▲○
26	Lens Pin	1	HU00405732	
27	O-Ring (90 Duro Buna PRP-119)	1	68104-119	*▲
28	Plug (M33 x 2 DIN 908-5.8)	1	76118-003	
29	Plug (M8 x 1 DIN 906-5.8)	1	76117-003	
30	Jam Nut (BM16 x 1.5 DIN 439-04AU)	1	HU00157477	
32	Plug (7/16-20)	2	76107-004	
32a	O-Ring (90 Duro Buna Tube PRP-904)	2	68105-904	*▲■
36	Cap Screw (M6 x 20 DIN 912-10.9)	8	60119-055	

- * Included in Seal Kit (P) 5430-635-025
- ▲ Included in Seal Kit (N) 5430-635-026
- ★ Included with HU00434856
- Included with 76107-004
- Included with 76107-008



Assembly Number
5430-570-007



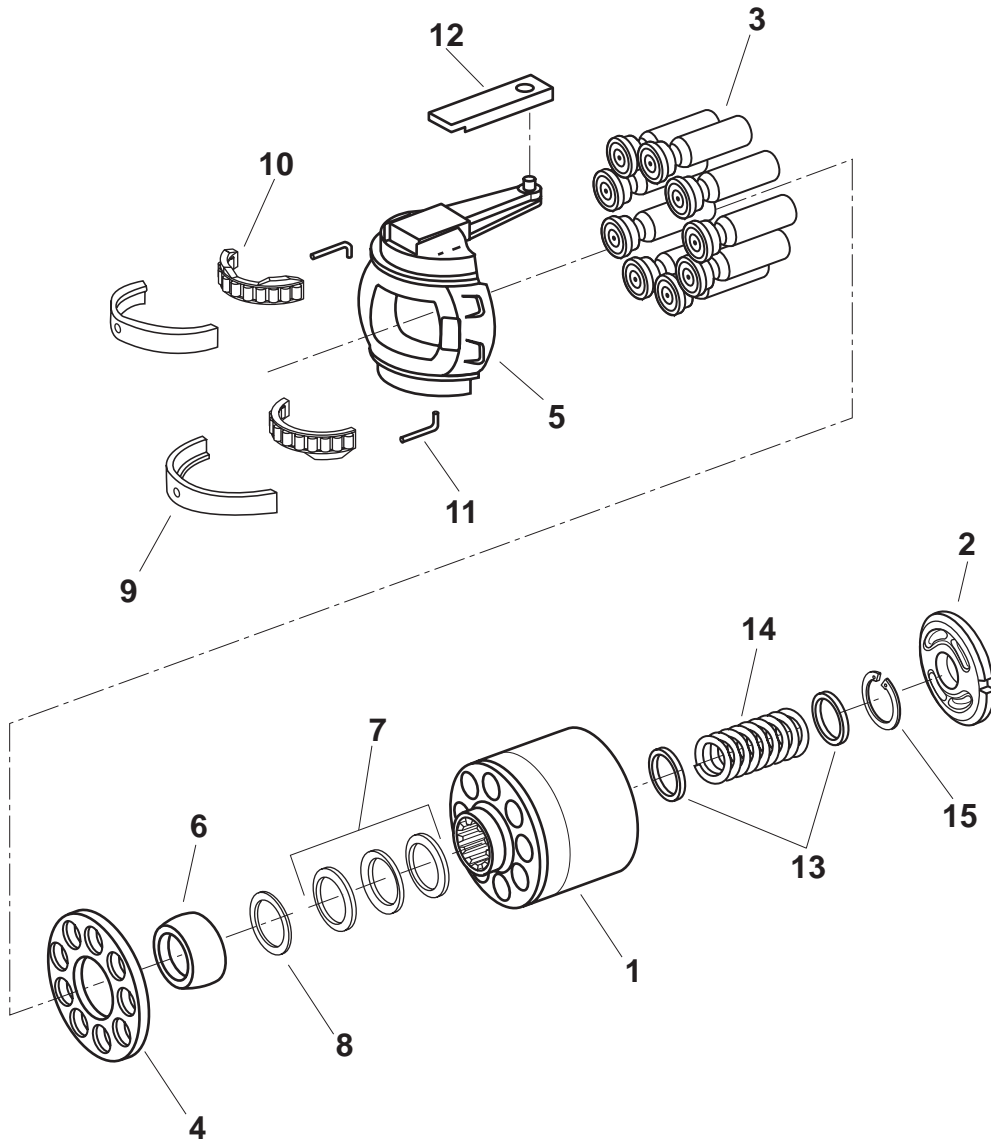
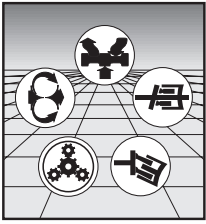
REXROTH CORPORATION

MOBILE HYDRAULICS DIVISION

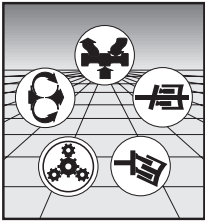
Assembly Number
5430-570-007

Item	Description	Qty	Part Number	
1	Barrel	1	HU00445205	
2	Lens/CW	1	HU00650709/CW	
3	Piston	9	HU00416736	
4	Retaining Plate	1	HU00921904	
5	Swash Plate	1	HU00443361	
6	Retaining Ball	1	HU00921905	
7	Cup Spring Stack	1	HU00921901	
8	Preload Shim (1.20 mm)	1	HU00432987	■
8	Preload Shim (1.00 mm)	0	HU00432988	■
8	Preload Shim (0.80 mm)	0	HU00432989	■
8	Preload Shim (0.60 mm)	0	HU00432990	■
9	Bearing Race	1	HU00650052	
10	Cradle Bearing Set	1	HU00830152	
11	Wire	2	HU00076233	
12	Lever	1	HU00430415	
13	Shim (44.90 x 30.70 x 3.0 mm)	2	HU00921903	
14	Spring	1	HU00435254	
15	Retaining Ring (45 x 1.75 DIN 472)	1	71128-043	

■ Select the correct shim to set the rotary group preload



Assembly Number
5430-570-006



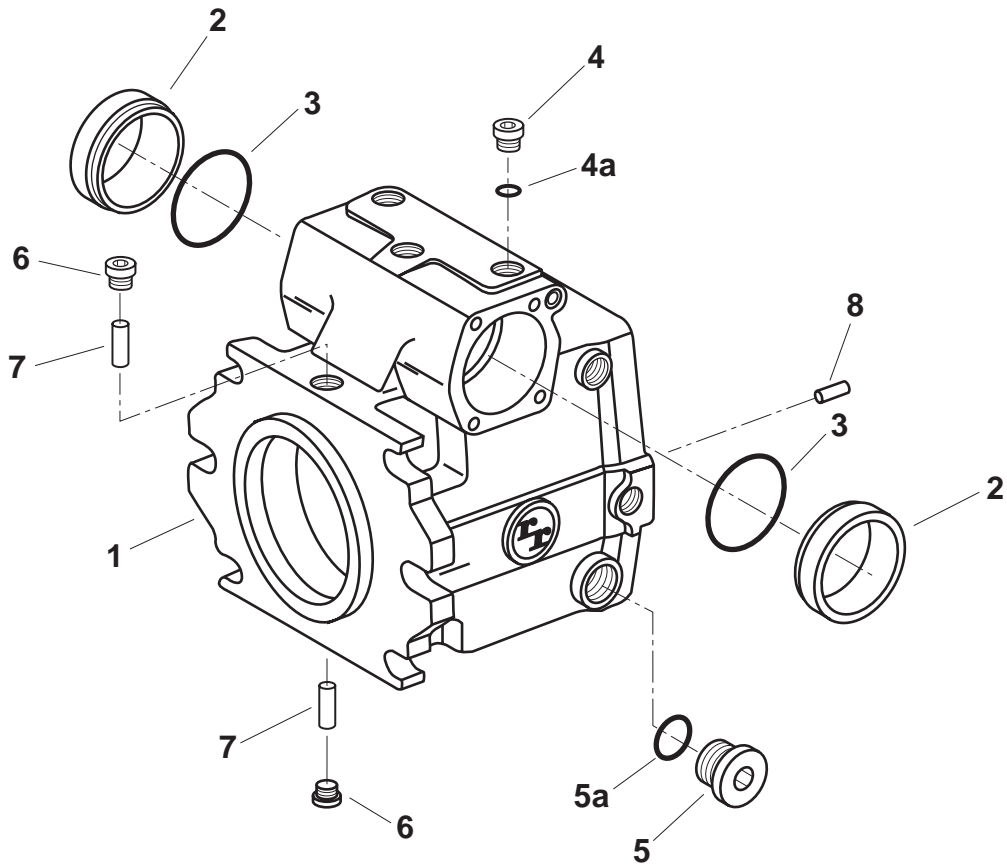
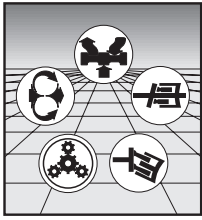
REXROTH CORPORATION

MOBILE HYDRAULICS DIVISION

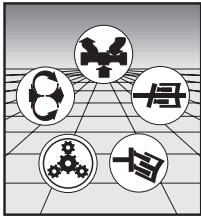
Assembly Number
5430-570-006

Item	Description	Qty	Part Number	
1	Barrel	1	HU00445205	
2	Lens/CCW	1	HU00650709/CCW	
3	Piston	9	HU00416736	
4	Retaining Plate	1	HU00921904	
5	Swash Plate	1	HU00443361	
6	Retaining Ball	1	HU00921905	
7	Cup Spring Stack	1	HU00921901	
8	Preload Shim (1.20 mm)	1	HU00432987	■
8	Preload Shim (1.00 mm)	0	HU00432988	■
8	Preload Shim (0.80 mm)	0	HU00432989	■
8	Preload Shim (0.60 mm)	0	HU00432990	■
9	Bearing Race	1	HU00650052	
10	Cradle Bearing Set	1	HU00830152	
11	Wire	2	HU00076233	
12	Lever	1	HU00430415	
13	Shim (44.90 x 30.70 x 3.0 mm)	2	HU00921903	
14	Spring	1	HU00435254	
15	Retaining Ring (45 x 1.75 DIN 472)	1	71128-043	

- Select the correct shim to set the rotary group preload



Assembly Number
Housing Ass'y



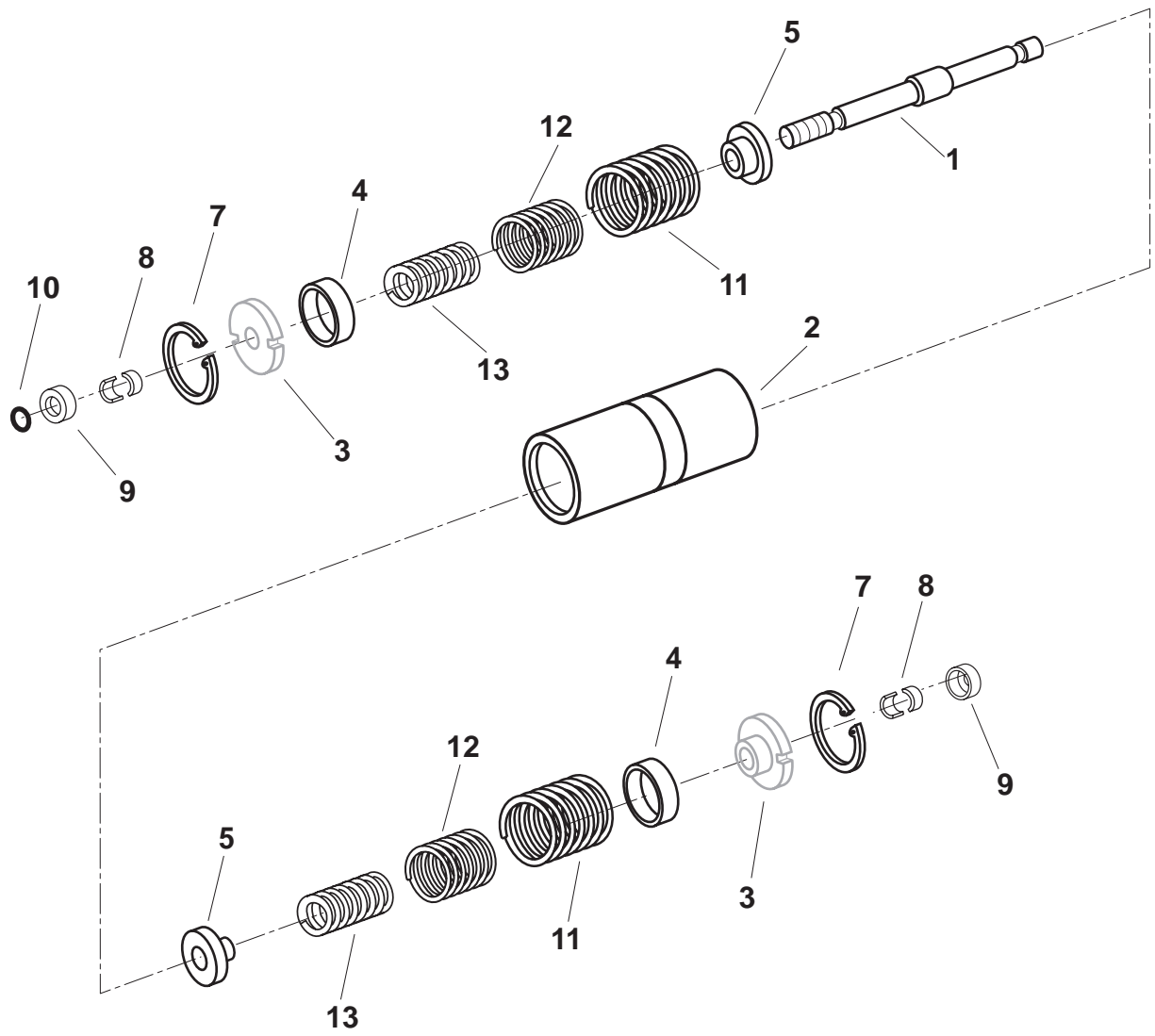
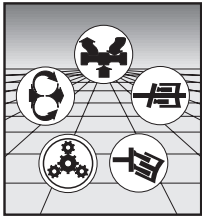
REXROTH CORPORATION

MOBILE HYDRAULICS DIVISION

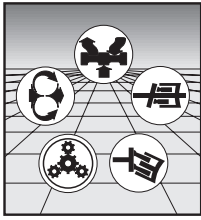
Assembly Number
Housing Ass'y

Item	Description	Qty	Part Number	
1	Housing	1	5430-566-010	
2	Bushing	2	HU00430306	
3	O-Ring (70 Duro Buna PRP-148)	2	68101-148	*▲
4	Plug (7/16-20)	3	76107-004	
4a	O-Ring (90 Duro Buna Tube PRP-904)	3	68105-904	*○
5	Plug (1 1/16-12)	1	76107-012	
5a	O-Ring (90 Duro Buna Tube PRP-912)	1	68105-912	*▲■
6	Plug (M10 x 1.0)	2	76116-004	*▲
7	Spring Pin	2	HU00449714	
8	Pin (3 x 10 DIN 7344)	2	HU00156579	

- * Included in Seal Kit (P) 5430-635-025
- ▲ Included in Seal Kit (N) 5430-635-026
- Included with 76107-004
- Included with 76107-012



Assembly Number
Stroking Piston Ass'y



REXROTH CORPORATION

MOBILE HYDRAULICS DIVISION

Assembly Number

Stroking Piston Ass'y

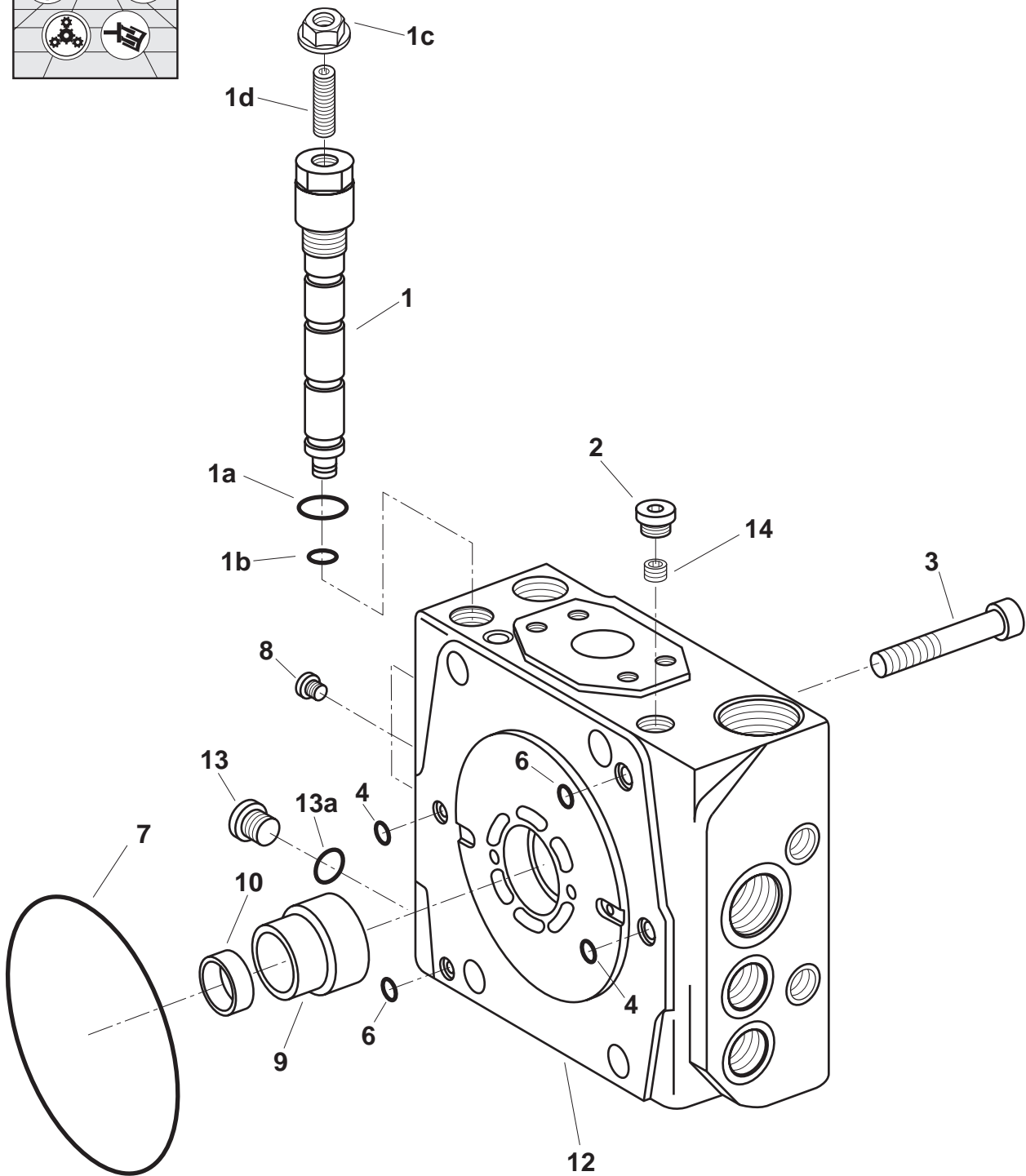
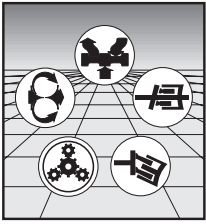
Item	Description	Qty	Part Number	
1	Rod	1	HU00449239	
2	Piston	1	HU00651714	
3	Spring Collar	2	HU00651181	
4	Spacer Bushing (20.20 mm)	2	HU00432887	■
4	Spacer Bushing (20.10 mm)	0	HU00432888	■
4	Spacer Bushing (20.40 mm)	0	HU00432889	■
5	Spring Collar	2	HU00449248	
7	Retaining Ring (58 x 2 DIN 472)	1	HU00083407	
8	Keepers (5.77 mm)	2	HU00436307	×
8	Keepers (5.82 mm)	0	HU00436308	×
8	Keepers (5.87 mm)	0	HU00436309	×
8	Keepers (8.92 mm)	0	HU00436310	×
8	Keepers (5.97 mm)	0	HU00436311	×
8	Keepers (6.02 mm)	0	HU00436347	×
9	Retainer	2	HU00443580	
10	O-Ring (90 Duro Buna PRP-012)	1	68104-012	*▲
11	Spring (NV, HD ,EP, HW control)	2	HU00432979	
11	Spring (DG control)	2	HU00432885	
12	Spring (DG control)	2	HU00432886	
13	Spring (DG control)	2	HU00432898	

* Included in Seal Kit (P) 5430-635-025

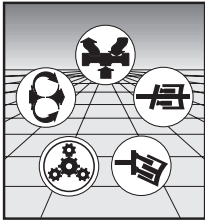
▲ Included in Seal Kit (N) 5430-635-026

× Choose the correct keeper to set retaining plate position.

■ Select the correct Spacer Bushing to set maximum displacement.



Assembly Number
Port Block Ass'y



REXROTH CORPORATION

MOBILE HYDRAULICS DIVISION

Assembly Number
Port Block Ass'y

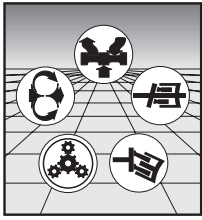
Item	Description	Qty	Part Number	
1	P.O.R. Assembly	1	HU00437084	
1a	O-Ring (90 Duro Buna PRP-113)	1	68104-113	*▲□
1b	O-Ring (90 Duro Buna PRP-010)	1	68104-010	*▲□
1c	Seal Nut	1	65110-004	*
1d	Adjusting Screw	1	H432167	
2	Plug (M10 x 1.0)	1	76116-004	*▲
3	Cap Screw (M16 x 90 DIN 912-10.9)	4	60119-186	
4	O-Ring (90 Duro Buna PRP-014)	2	68104-014	*▲
6	O-Ring (90 Duro Buna PRP-012)	2	68104-012	*▲
7	O-Ring (90 Duro Buna PRP-158)	1	68104-158	*▲
8	Plug (M8 x 1)	3	76116-015	*▲
9	Bushing Support	1	HU00444842	
10	Bushing	1	HU00426654	
12	Port Block	1	5430-430-012	
13	Plug (7/16-20)	1	76107-004	
13a	O-Ring (90 Duro Buna Tube PRP-904)	1	68105-904	*▲■
14	Orifice (1.8 mm)	1	HU00156497	

* Included in Seal Kit (P) 5430-635-025

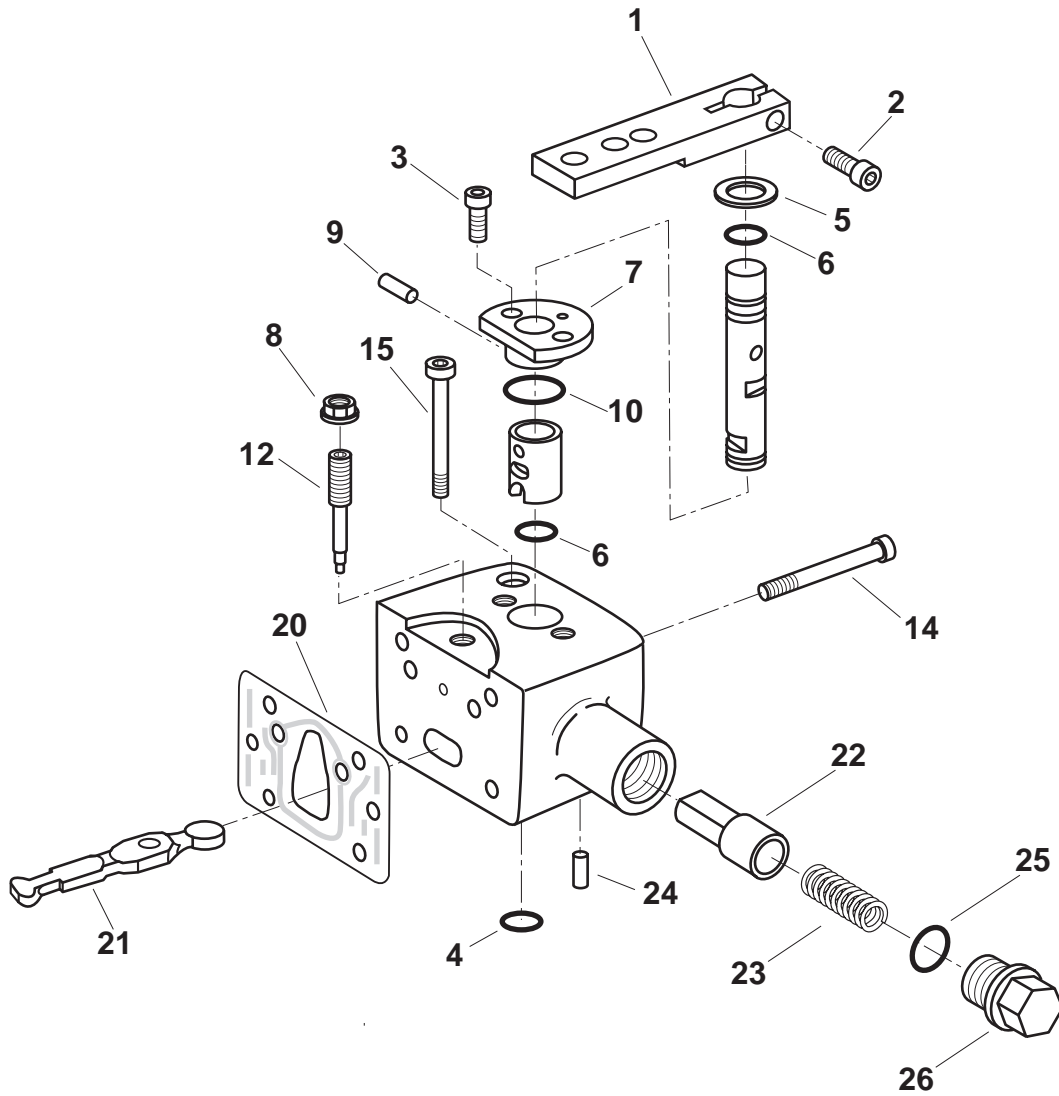
▲ Included in Seal Kit (N) 5430-635-026

□ Included with HU00437084

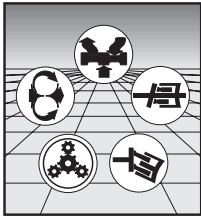
■ Included with 76107-004



HW Control



Assembly Number
HU00606891



REXROTH CORPORATION

MOBILE HYDRAULICS DIVISION

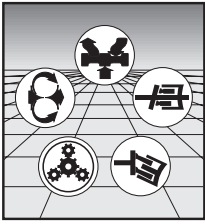
HW Control

Assembly Number
HU00606891

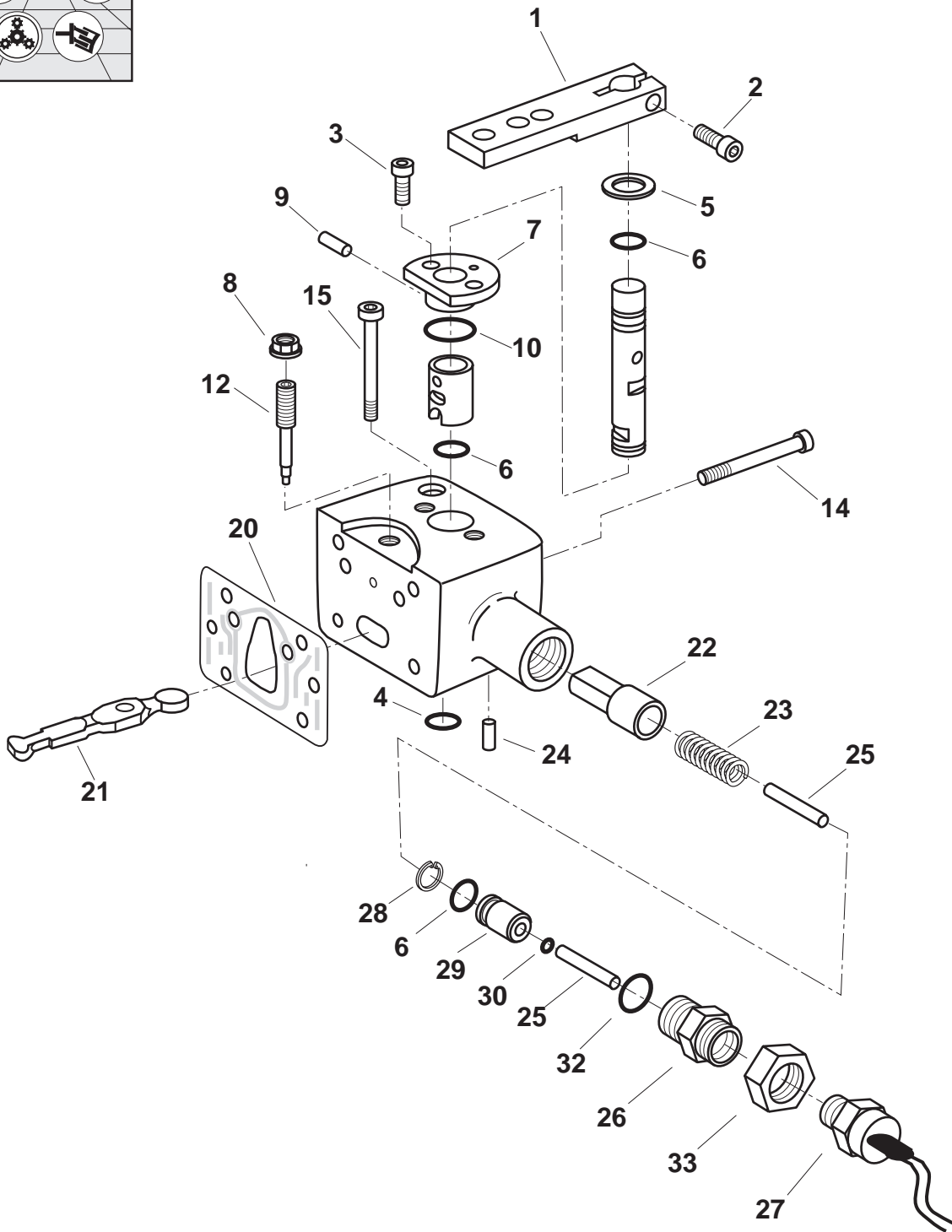
Item	Description	Qty	Part Number	
1	Handle	1	HU00401723	
2	Cap Screw (M5 x 20 DIN 912-8.8)	1	60118-037	
3	Cap Screw (M5 x 10 DIN 6912-8.8)	2	60140-010	
4	O-Ring (70 Duro Buna PRP-108)	1	68101-108	*▲
5	Shim (14 x 20 x 1 DIN 988)	1	HU00153380	
6	O-Ring (70 Duro Buna PRP-012)	2	68101-012	*▲
7	Cover	1	HU00650255	
8	Seal Nut (M6)	1	65110-003	*▲
9	Needle Roller	1	HU00156217	
10	O-Ring (70 Duro Buna PRP-019)	1	68101-019	*▲
12	Eccentric Screw	1	HU00443742	
14	Cap Screw (M6 x 70 DIN 912-8.8)	4	60118-069	
15	Cap Screw (M6 x 50 DIN 912-8.8)	1	60140-028	
20	Gasket	1	HU00443724	*▲
21	Feed Back Lever	1	HU00431256	
22	Spring Retainer	1	HU00650473	
23	Spring	1	HU00421991	
24	Dowell Pin (M4 x 10 DIN 6325)	1	69116-018	
25	O-Ring (90 Duro Buna PRP-115)	1	68104-115	*▲
26	Cap (M20 x 1.5 DIN 910-5.8)	1	HU00086753	

* Contained in Seal Kit (P) 5430-635-025

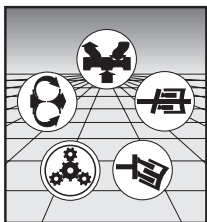
▲ Contained in Seal Kit (N) 5430-635-026



HW (L) Control



Assembly Number
HU00607228



REXROTH CORPORATION

MOBILE HYDRAULICS DIVISION

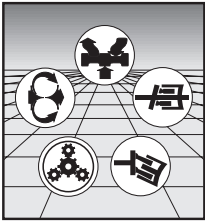
HW (L) Control

Assembly Number
HU00607228

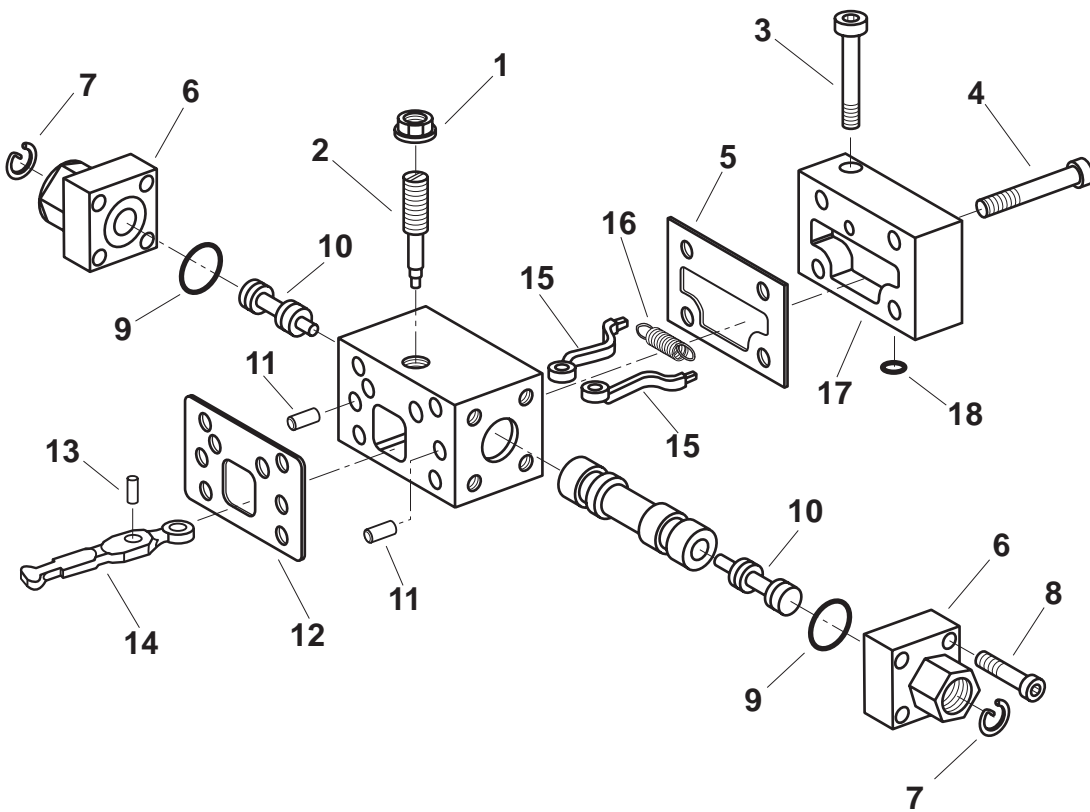
Item	Description	Qty	Part Number	
1	Handle	1	HU00401723	
2	Cap Screw (M5 x 20 DIN 912-8.8)	1	60118-037	
3	Cap Screw (M5 x 10 DIN 912-8.8)	2	60140-010	*▲
4	O-Ring (70 Duro Buna PRP-108)	1	68101-108	*▲
5	Shim (14 x 20 x 1 DIN 988)	1	HU00086180	
6	O-Ring (70 Duro Buna PRP-012)	3	68101-012	*▲
7	Cover	1	HU00650255	
8	Seal Nut (M6)	1	65110-003	*▲
9	Needle Roller	1	HU00156217	
10	O-Ring (70 Duro Buna PRP-019)	1	68101-019	*▲
12	Eccentric Screw	1	HU00443742	
14	Cap Screw (M6 x 70 DIN 912-8.8)	4	60118-069	
15	Cap Screw (M6 x 50 DIN 912-8.8)	1	60118-028	
20	Gasket	1	HU00443724	*▲
21	Feed Back Lever	1	HU00431256	
22	Spring Retainer	1	HU00651844	
23	Spring	1	HU00421991	
24	Dowell Pin (M4 x 10 DIN 6325)	1	69116-018	
25	Pin (3 x 32 DIN 5402)	2	HU00651973	
26	Adapter	1	HU00444527	
27	Switch	1	HU00830731	
28	Snap Ring (M14 x 1 DIN 472)	1	HU00083380	
29	Seal Bushing	1	HU00444528	
30	O-Ring (70 Duro Buna PRP-006)	1	68101-006	*▲
32	O-Ring (90 Duro Buna PRP-115)	1	68104-115	*▲
33	Jam Nut (BM 20 x 1.5 DIN 439-04AU)	1	HU00830212	

* Contained in Seal Kit (P) 5430-635-025

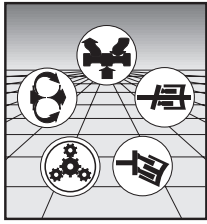
▲ Contained in Seal Kit (N) 5430-635-026



HD Control



Assembly Number
HU00429114



REXROTH CORPORATION

MOBILE HYDRAULICS DIVISION

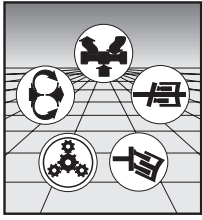
HD Control

Assembly Number
HU00429114

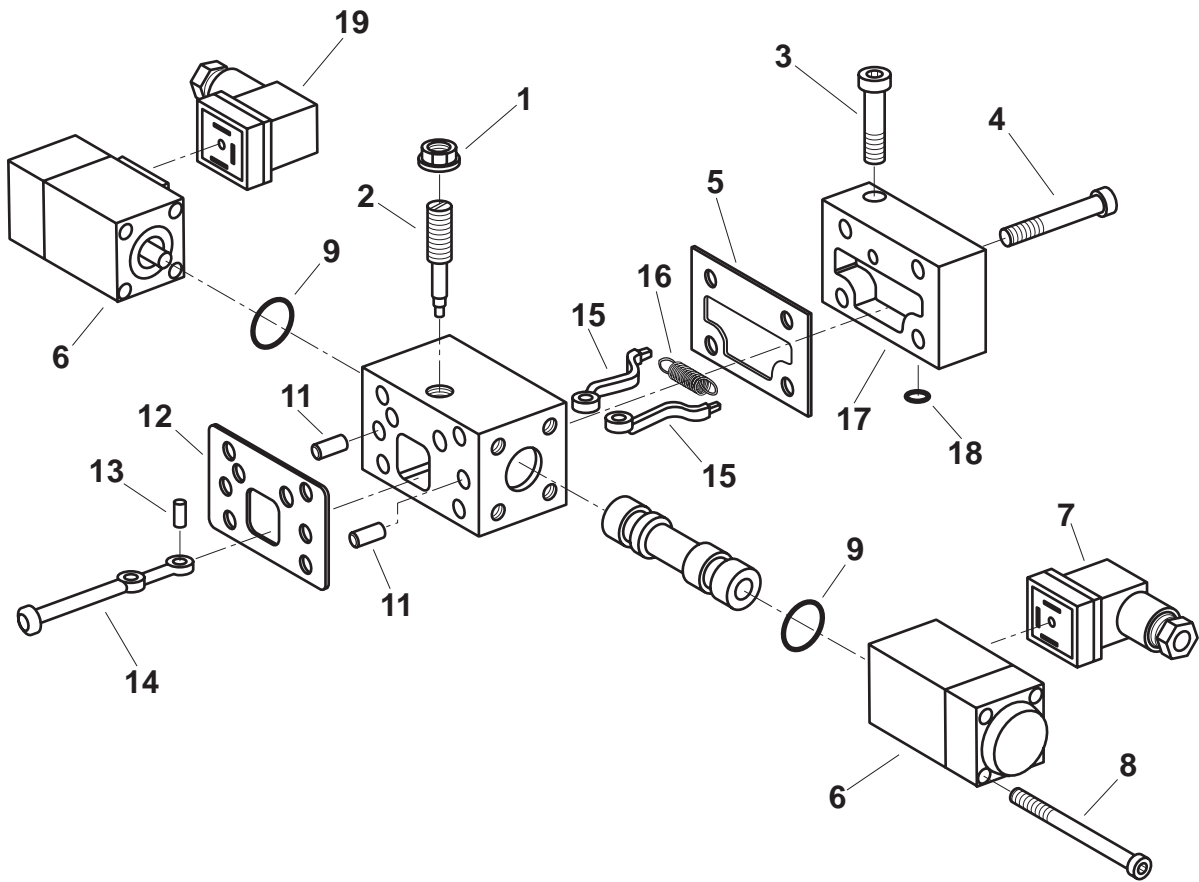
Item	Description	Qty	Part Number	
1	Seal Nut (M6)	1	65110-003	*▲
2	Eccentric Screw	1	HU00449837	
3	Cap Screw (M6 x 45 DIN 6912-8.8)	1	60140-094	
4	Cap Screw (M6 x 70 DIN 6912-8.8)	4	60140-081	
5	Gasket	1	HU00440374	*▲
6	End Cover	2	HU00651540	
7	Retaining Clip	2	HU00156539	
8	Cap Screw (M4 x 20 DIN 912-8.8)	8	60118-020	
9	O-Ring (70 Duro Buna PRP-018)	2	68101-018	*▲
10	Piston	2	HU00439379	
11	Dowell Pin (M6 x 14 DIN 6325)	2	69116-005	
12	Gasket	1	HU00443724	*▲
13	Bevel Pin	1	HU00151552	
14	Feedback Lever	1	HU00430319	
15	Lever Arm	2	HU00417155	
16	Feedback Spring	1	HU00921218	
17	Cover	1	HU00443442	
18	O-Ring (70 Duro Buna PRP-109)	1	68101-109	*▲

* Contained in Seal Kit (P) 5430-635-025

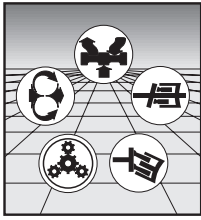
▲ Contained in Seal Kit (N) 5430-635-026



EP1 Control



Assembly Number
HU00428139



REXROTH CORPORATION

MOBILE HYDRAULICS DIVISION

EP1 Control

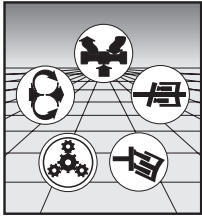
Assembly Number
HU00428139

Item	Description	Qty	Part Number	
1	Seal Nut (M6)	1	65110-003	*▲
2	Eccentric	1	HU00071520	
3	Cap Screw (M6 x 45 DIN 6912-8.8)	1	60140-094	
4	Cap Screw (M6 x 70 DIN 6912-8.8)	4	60140-081	
5	Gasket	1	HU00440374	*▲
6	Solenoid (12 Volts)	2	HU00441691	
7	Connector Plug (Gray)	1	HU00152503	
8	Cap Screw (M4 x 50 DIN 912-8.8)	8	60118-027	□
9	O-Ring (70 Duro Buna PRP-018)	2	68101-018	*▲
11	Dowell Pin (M6 x 14 DIN 6325)	2	69116-005	
12	Gasket	1	HU00443724	*▲
13	Pin (3 x 11.8 DIN 5402)	1	HU00151552	
14	Feedback Lever	1	HU00430319	
15	Lever	2	HU00417155	
16	Spring	1	HU00435908	
17	Cover	1	HU00443442	
18	O-Ring (70 Duro Buna PRP-109)	1	68101-109	*▲
19	Connector Plug (Black)	1	HU00085290	

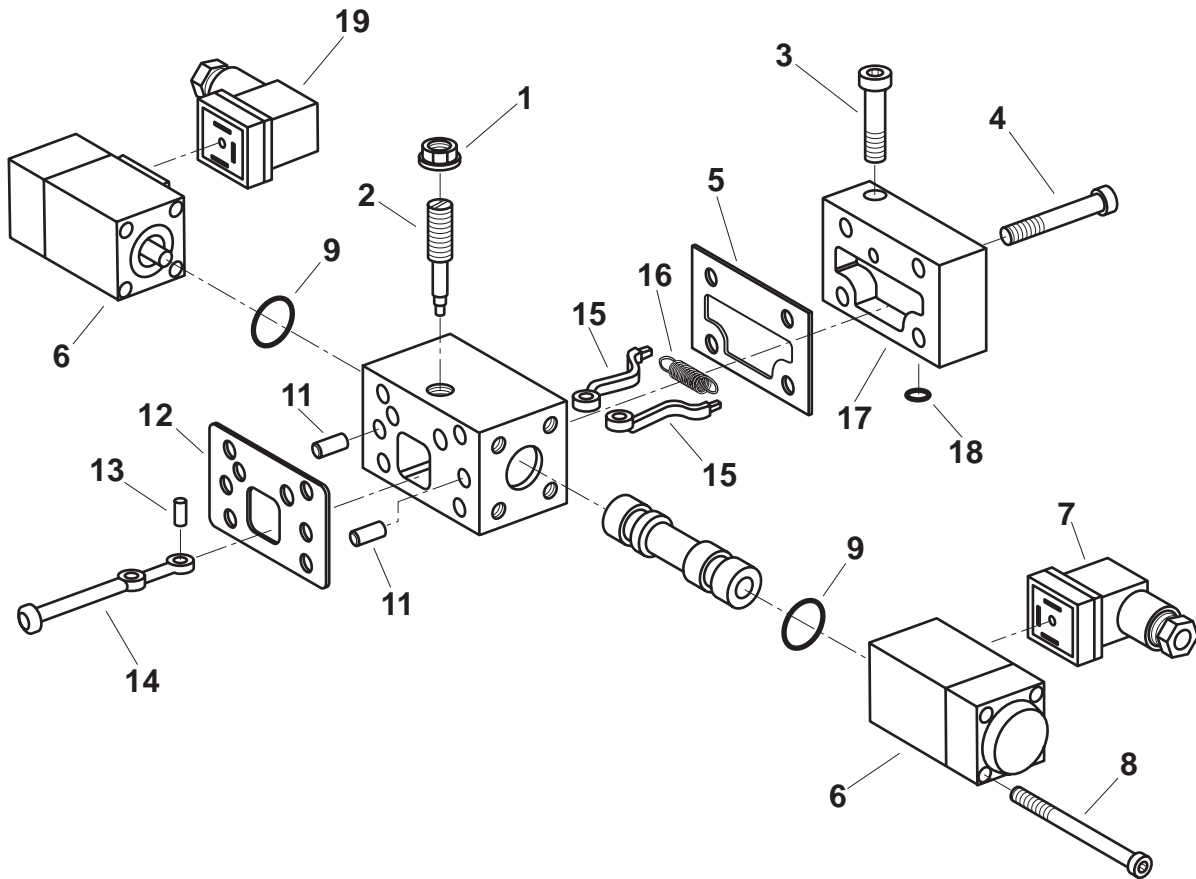
* Contained in Seal Kit (P) 5430-635-025

▲ Contained in Seal Kit (N) 5430-635-026

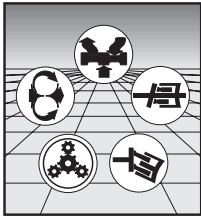
□ Included with HU00441691



EP2 Control



Assembly Number
HU00428138



REXROTH CORPORATION

MOBILE HYDRAULICS DIVISION

EP2 Control

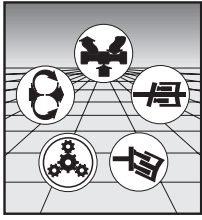
Assembly Number
HU00428138

Item	Description	Qty	Part Number	
1	Seal Nut (M6)	1	65110-003	*▲
2	Eccentric	1	HU00071520	
3	Cap Screw (M6 x 45 DIN 6912-8.8)	1	60140-094	
4	Cap Screw (M6 x 70 DIN 6912-8.8)	4	60140-081	
5	Gasket	1	HU00440374	*▲
6	Solenoid (24 Volts)	2	HU00441692	
7	Connector Plug (Gray)	1	HU00152503	
8	Cap Screw (M4 x 50 DIN 912-8.8)	8	60118-027	□
9	O-Ring (70 Duro Buna PRP-018)	2	68101-018	*▲
11	Dowell Pin (M6 x 14 DIN 6325)	2	69116-005	
12	Gasket	1	HU00443724	*▲
13	Pin (3 x 11.8 DIN 5402)	1	HU00151552	
14	Feedback Lever	1	HU00430319	
15	Lever	2	HU00417155	
16	Spring	1	HU00435908	
17	Cover	1	HU00443442	
18	O-Ring (70 Duro Buna PRP-109)	1	68101-109	*▲
19	Connector Plug (Black)	1	5400-085-002	

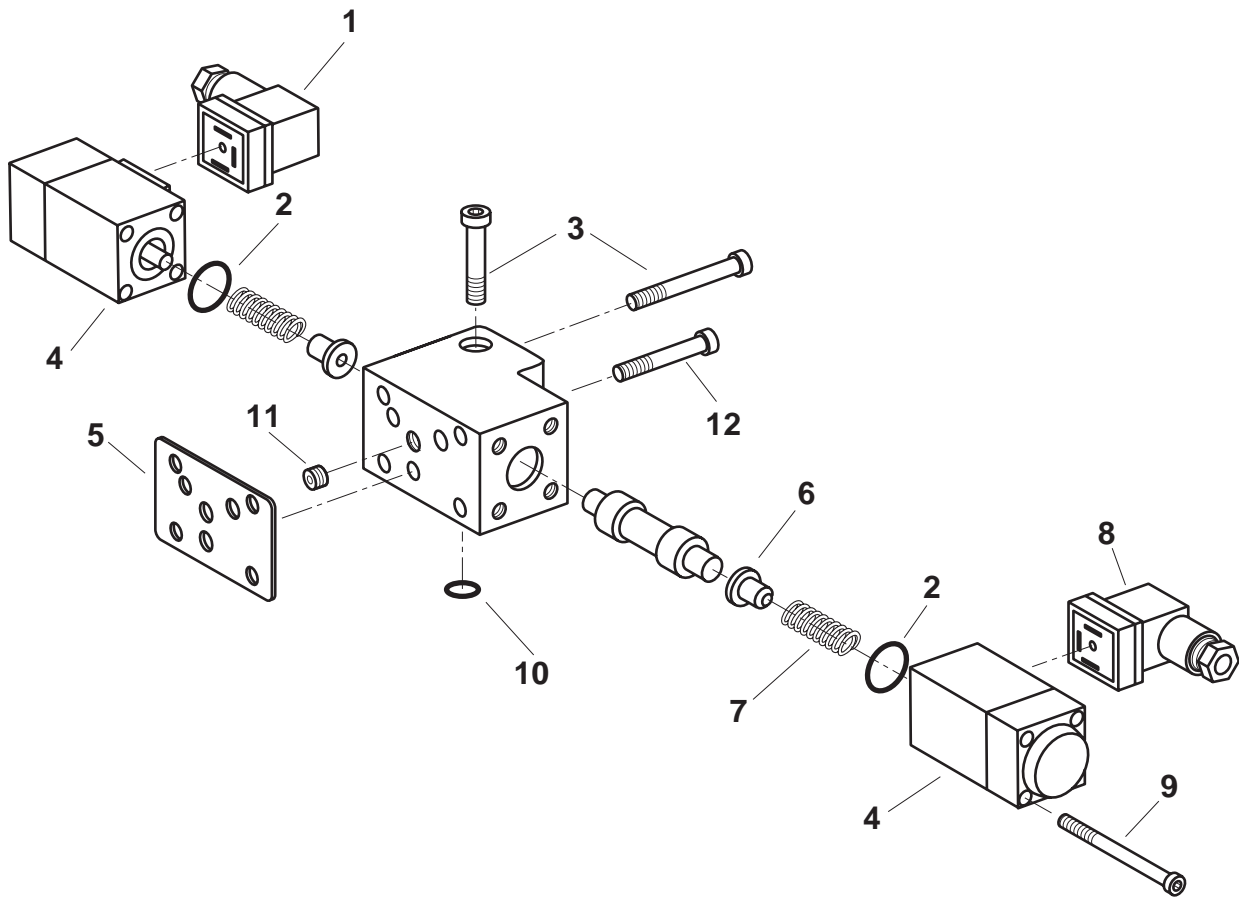
* Contained in Seal Kit (P) 5430-635-025

▲ Contained in Seal Kit (N) 5430-635-026

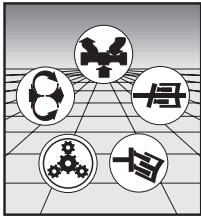
□ Included with HU00441692



EZ1 Control



Assembly Number
HU00600074



REXROTH CORPORATION

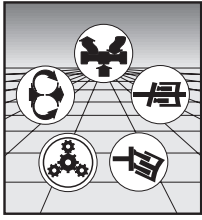
MOBILE HYDRAULICS DIVISION

EZ1 Control

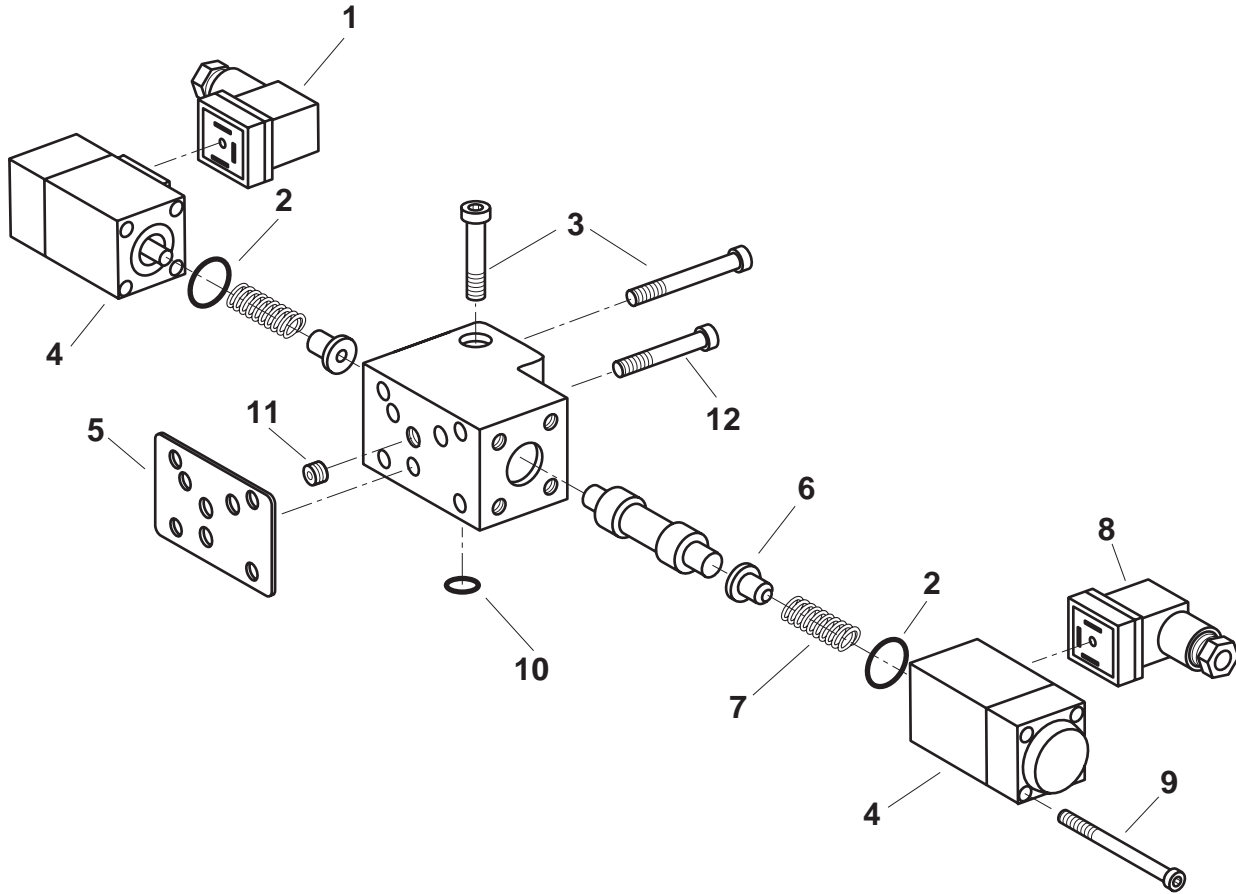
Assembly Number
HU00600074

Item	Description	Qty	Part Number	
1	Connector Plug (Gray)	1	HU00152503	
2	O-Ring (70 Duro Buna PRP-016)	2	68101-016	*▲
3	Cap Screw (M6 x 45 DIN 912-8.8)	3	60118-064	
4	Solenoid (12 Volts)	2	HU00428265	
5	Gasket	1	HU00443724	*▲
6	Spring Collar	2	HU00069544	
7	Spring	1	HU00071362	
8	Connector Plug (Black)	1	HU00085290	
9	Cap Screw (M4 x 50 DIN 912-8.8)	8	60118-027	□
10	O-Ring (70 Duro Buna PRP-108)	1	68101-108	*▲
11	Plug (M8 x 8 DIN 913-10.9)	1	HU00083493	
12	Cap Screw (M6 x 70 DIN 6912-8.8)	2	60140-081	

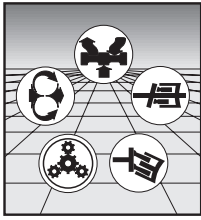
- * Contained in Seal Kit (P) 5430-635-025
- ▲ Contained in Seal Kit (N) 5430-635-026
- Included with HU00428265



EZ2 Control



Assembly Number
HU00600076



REXROTH CORPORATION

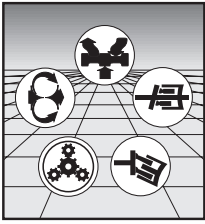
MOBILE HYDRAULICS DIVISION

EZ2 Control

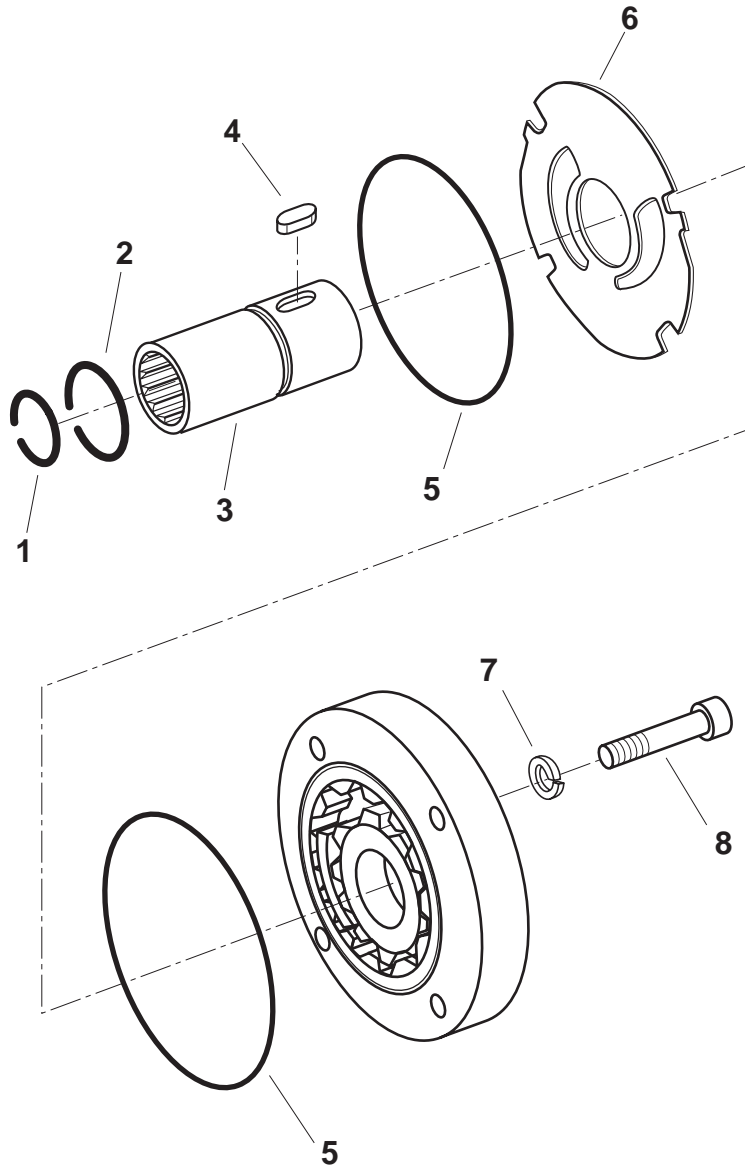
Assembly Number
HU00600076

Item	Description	Qty	Part Number	
1	Connector Plug (Gray)	1	HU00152503	
2	O-Ring (70 Duro Buna PRP-016)	2	68101-016	*▲
3	Cap Screw (M6 x 45 DIN 912-8.8)	3	60118-064	
4	Solenoid (24 Volts)	2	HU00428266	
5	Gasket	1	HU00443724	*▲
6	Spring Collar	2	HU00069544	
7	Spring	1	HU00071362	
8	Connector Plug (Black)	1	HU00085290	
9	Cap Screw (M4 x 50 DIN 912-8.8)	8	60118-027	□
10	O-Ring (70 Duro Buna PRP-108)	1	68101-108	*▲
11	Plug (M8 x 8 DIN 913-10.9)	1	HU00083493	
12	Cap Screw (M6 x 70 DIN 6912-8.8)	2	60140-081	

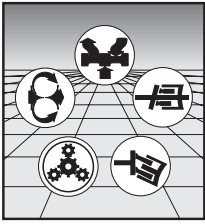
- * Contained in Seal Kit (P) 5430-635-025
- ▲ Contained in Seal Kit (N) 5430-635-026
- Included with HU00428266



Charge Pump (F00)



Assembly Number
HU00606657



REXROTH CORPORATION

MOBILE HYDRAULICS DIVISION

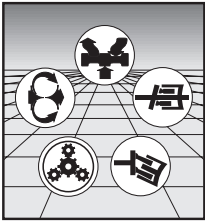
Charge Pump
(F00)

Assembly Number
HU00606657

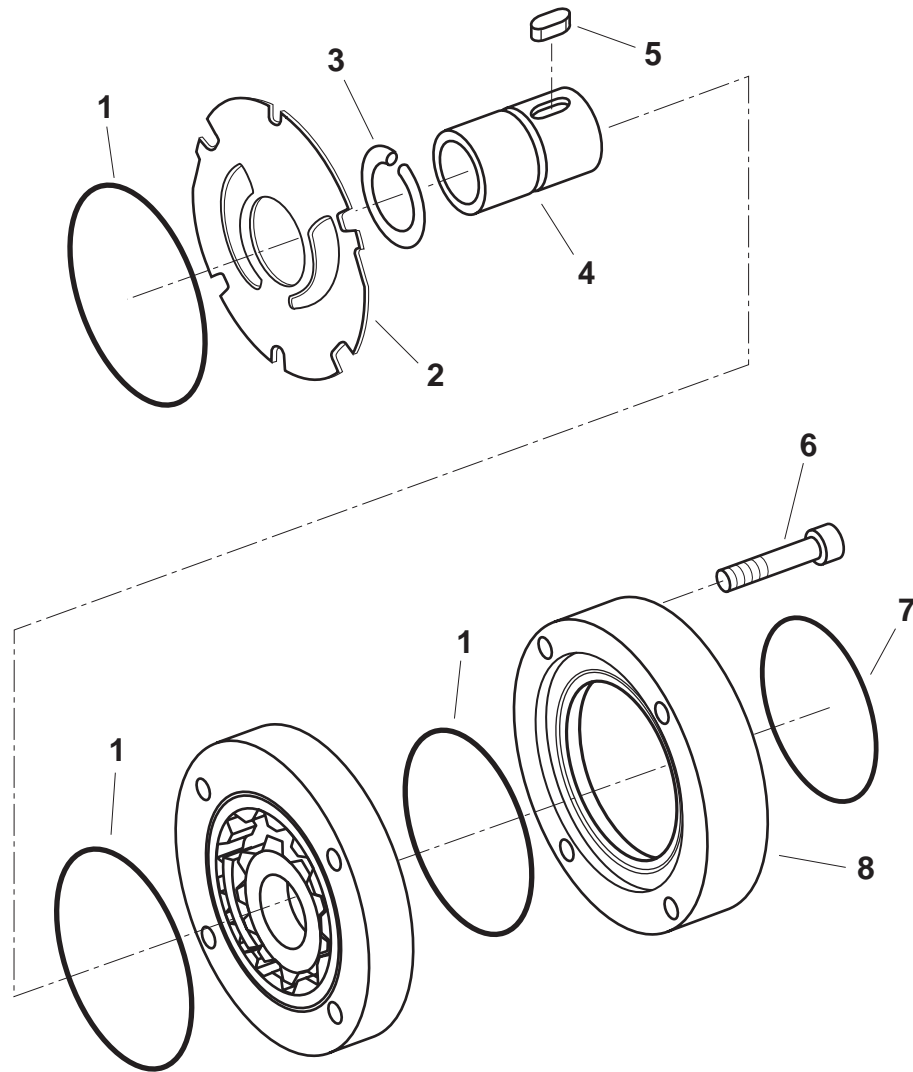
Item	Description	Qty	Part Number	
1	Retaining Ring (M22 x 2 DIN 7993)	1	71129-009	
2	Retaining Ring (M32 x 2 DIN 7993)	1	71130-018	
3	Drive Coupling	1	HU00650381	
4	Key	1	HU00445371	
5	O-Ring (70 Duro Buna PRP-153)	2	68101-153	*▲
6	Wear Plate	1	HU00650746	
7	Lock Washer (M8 DIN 7980)	4	61116-003	
8	Cap Screw (M8 x 30 DIN 912-10.9)	4	60119-081	

* Contained in Seal Kit (P) 5430-635-025

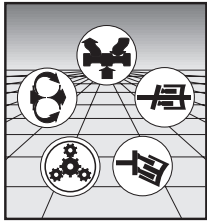
▲ Contained in Seal Kit (N) 5430-635-026



Thru Drive Charge Pump (F01...SAE-A)



Assembly Number
HU00606655



REXROTH CORPORATION

MOBILE HYDRAULICS DIVISION

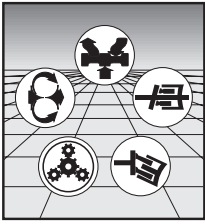
Thru Drive Charge Pump
(F01...SAE-A)

Assembly Number
HU00606655

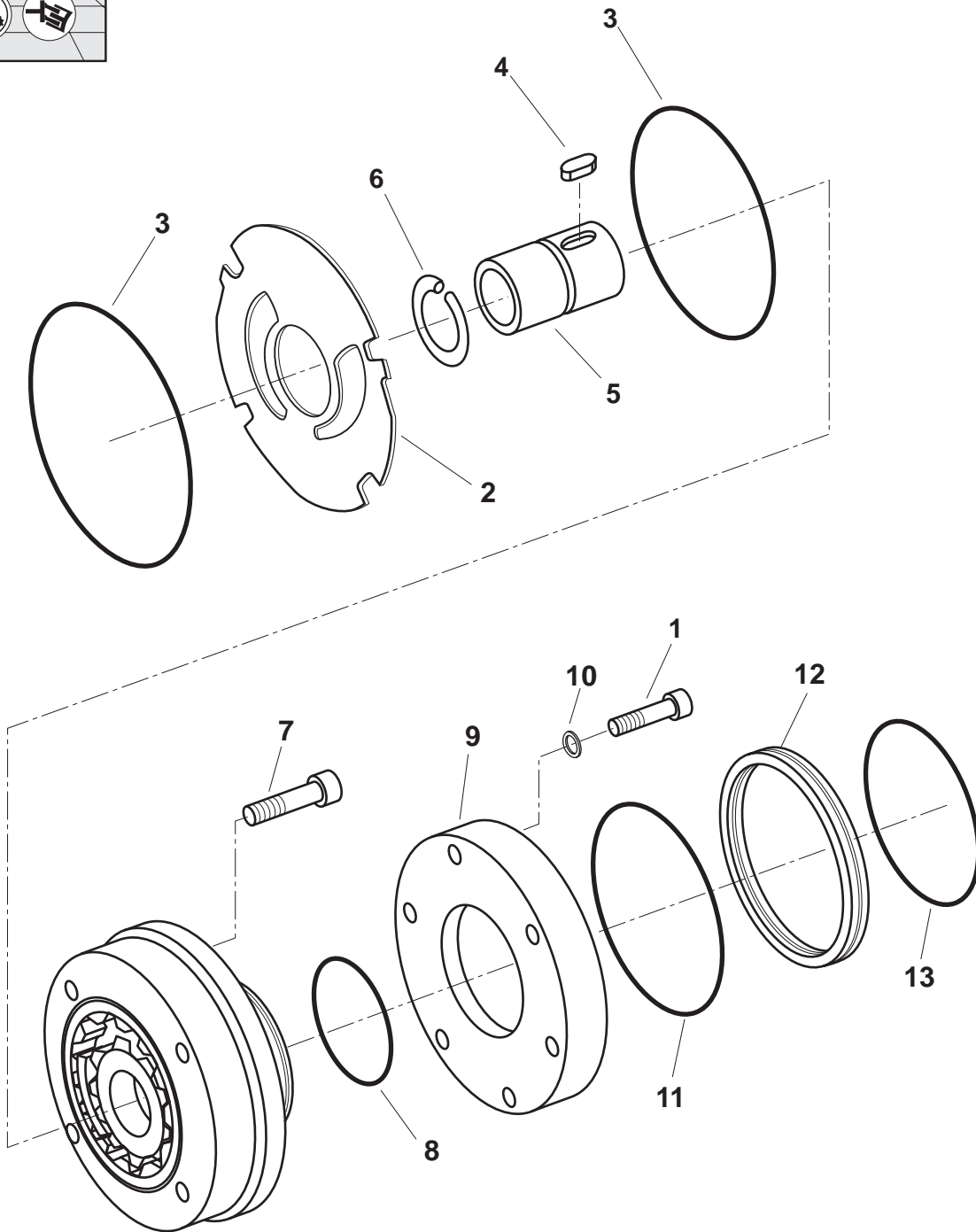
Item	Description	Qty	Part Number	
1	O-Ring (70 Duro Buna PRP-153)	3	68101-153	*▲
2	Wear Plate	1	HU00650746	
3	Retaining Ring (M38 x 2.5 DIN 7993)	1	71130-020	
4	Thru-Drive Coupling (SAE "A")	1	HU00650384	
5	Key	1	HU00445372	
6	Cap Screw (M10 x 40 DIN 912-8.8)	4	60118-114	
7	O-Ring (90 Duro Buna M84 x 2)	1	68111-259	*▲
8	Flange	1	HU00439868	

* Contained in Seal Kit (P) 5430-635-025

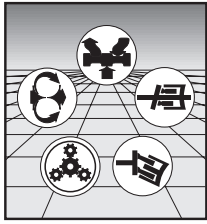
▲ Contained in Seal Kit (N) 5430-635-026



Thru Drive Charge Pump (F02...SAE-B)



Assembly Number
HU00606661



REXROTH CORPORATION

MOBILE HYDRAULICS DIVISION

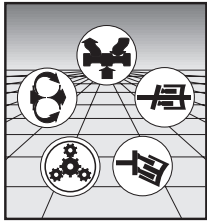
Thru Drive Charge Pump
(F02...SAE-B)

Assembly Number
HU00606661

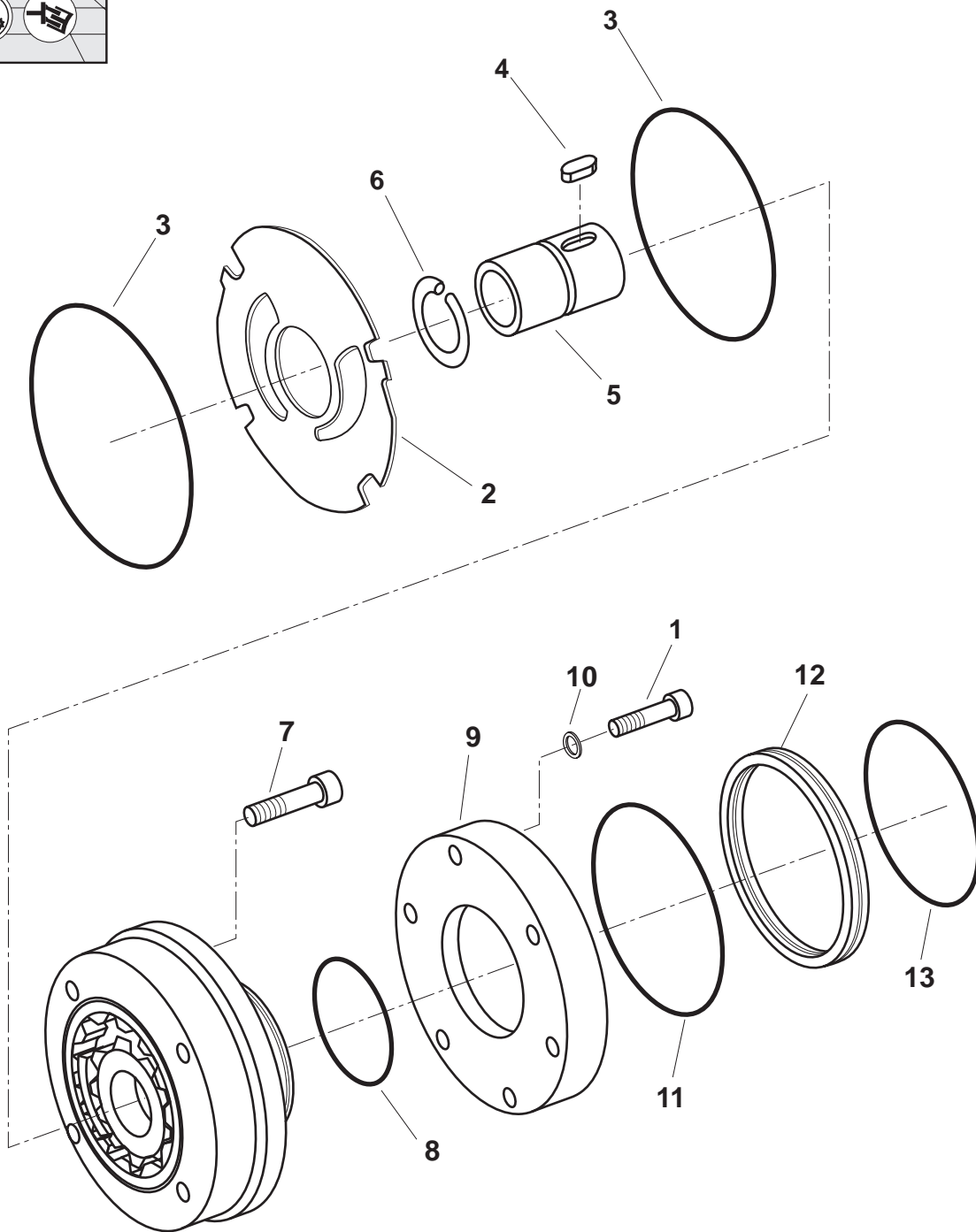
Item	Description	Qty	Part Number	
1	Cap Screw (M8 x 20 DIN 912-10.9)	6	60140-033	
2	Wear Plate	1	HU00650746	
3	O-Ring (70 Duro Buna PRP-153)	2	68101-153	*▲
4	Key	1	HU00445372	
5	Thru-Drive Coupling (SAE "B")	1	HU00650410	
6	Retaining Ring (M38 x 2.5 DIN 7993)	1	71130-020	
7	Cap Screw (M10 x 25 DIN 912-18.8)	4	60118-111	
8	O-Ring (70 Duro Buna PRP-152)	1	68101-152	*▲
9	Intermediate Plate	1	HU00444592	
10	Usit-Ring (M8.7 x 13 x 1 FP)	6	HU00152493	*▲
11	O-Ring (70 Duro Buna PRP-158)	1	68101-158	*▲
12	Centering Ring	1	HU00431554	
13	O-Ring (70 Duro Buna PRP-155)	1	68101-155	*▲

* Contained in Seal Kit (P) 5430-635-025

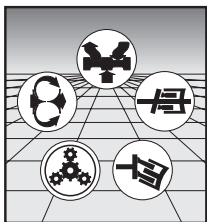
▲ Contained in Seal Kit (N) 5430-635-026



Thru Drive Charge Pump (F04...SAE-BB)



Assembly Number
HU00606658



REXROTH CORPORATION

MOBILE HYDRAULICS DIVISION

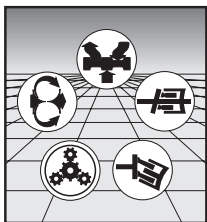
Thru Drive Charge Pump
(F04...SAE-BB)

Assembly Number
HU00606658

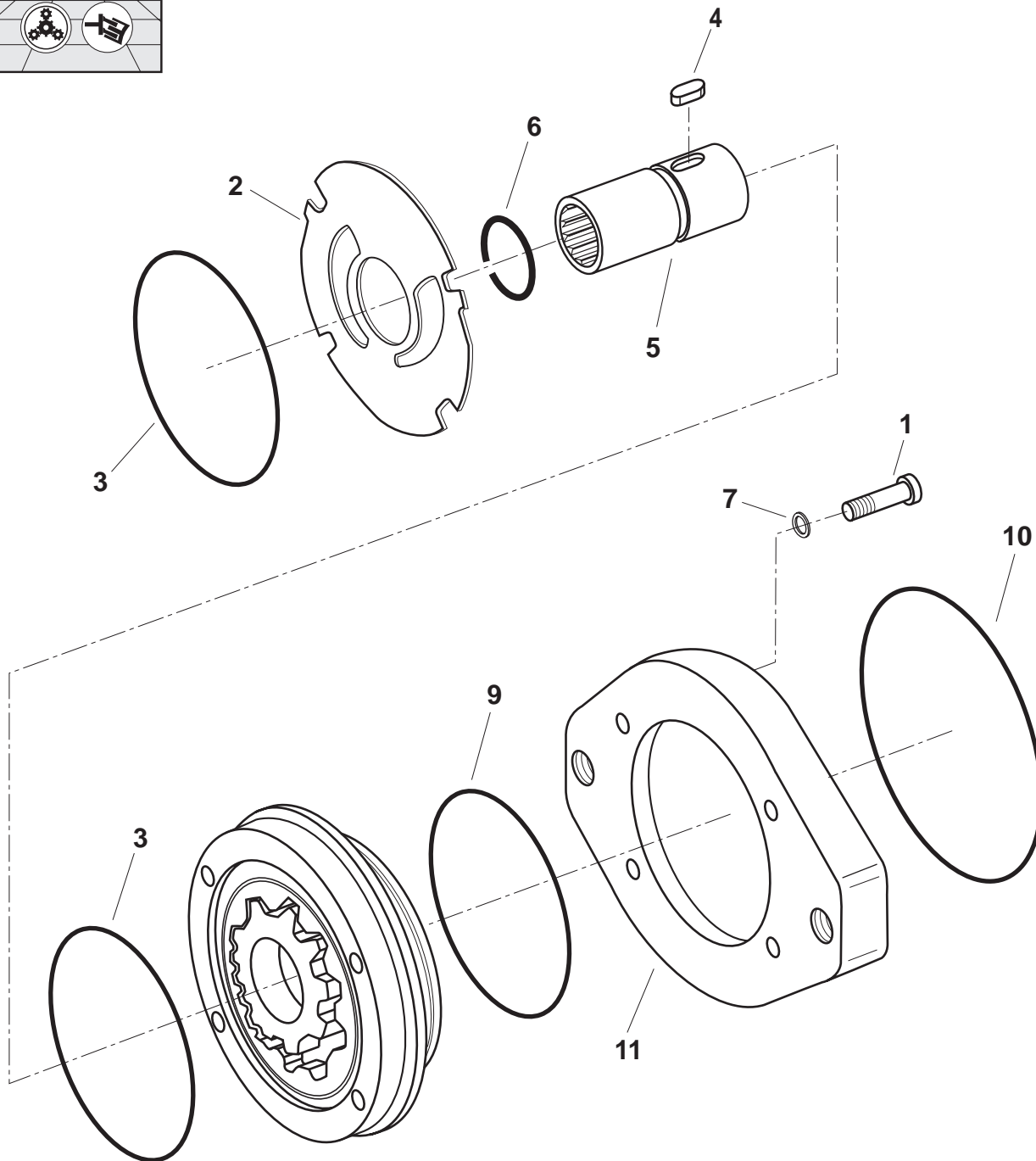
Item	Description	Qty	Part Number	
1	Cap Screw (M8 x 20 DIN 912-10.9)	6	60140-033	
2	Wear Plate	1	HU00650746	
3	O-Ring (70 Duro Buna PRP-153)	2	68101-153	*▲
4	Key	1	HU00445372	
5	Thru-Drive Coupling (SAE "BB")	1	HU00650412	
6	Retaining Ring (M38 x 2.5 DIN 7993)	1	71130-020	
7	Cap Screw (M10 x 25 DIN 912-18.8)	4	60118-111	
8	O-Ring (70 Duro Buna PRP-152)	1	68101-152	*▲
9	Intermediate Plate	1	HU00444592	
10	Usit-Ring (M8.7 x 13 x 1 FP)	6	HU00152493	*▲
11	O-Ring (70 Duro Buna PRP-158)	1	68101-158	*▲
12	Centering Ring	1	HU00431554	
13	O-Ring (70 Duro Buna PRP-155)	1	68101-155	*▲

* Contained in Seal Kit (P) 5430-635-025

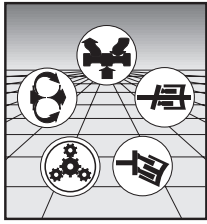
▲ Contained in Seal Kit (N) 5430-635-026



Thru Drive Charge Pump (F07...SAE-C)



Assembly Number
HU00606660



REXROTH CORPORATION

MOBILE HYDRAULICS DIVISION

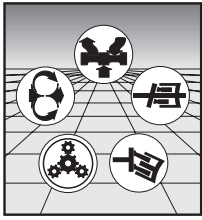
Thru Drive Charge Pump
(F07...SAE-C)

Assembly Number
HU00606660

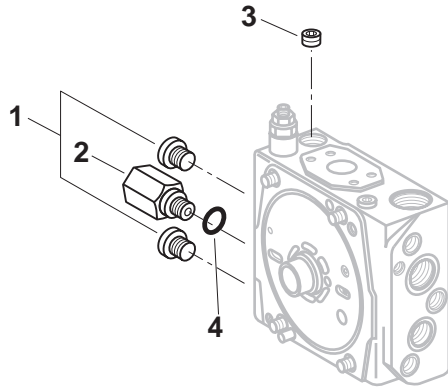
Item	Description	Qty	Part Number	
1	Cap Screw (M10 x 25 DIN 912-8.8)	4	60118-111	
2	Wear Plate	1	HU00650746	
3	O-Ring (70 Duro Buna PRP-153)	2	68101-153	*▲
4	Key	1	HU00445372	
5	Thru-Drive Coupling (SAE "C")	1	HU00650387	
6	Retaining Ring (38 x 2.5 DIN 7993)	1	71130-020	
7	Usit-Ring (M8.7 x 13 x 1 FP)	4	HU00152493	*▲
9	O-Ring (70 Duro Buna PRP-152)	1	68101-152	*▲
10	O-Ring (70 Duro Buna PRP-159)	1	68101-159	*▲
11	Intermediate Flange	1	HU00651148	

* Contained in Seal Kit (P) 5430-635-025

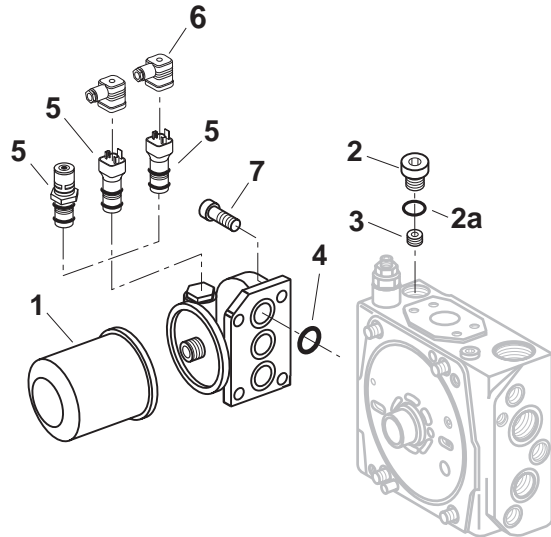
▲ Contained in Seal Kit (N) 5430-635-026



Filtration Options



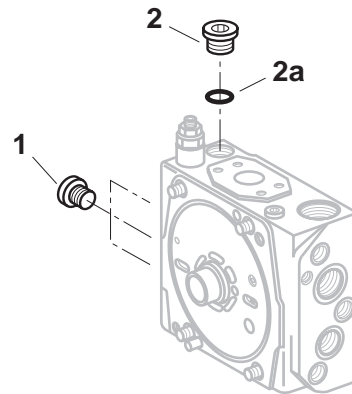
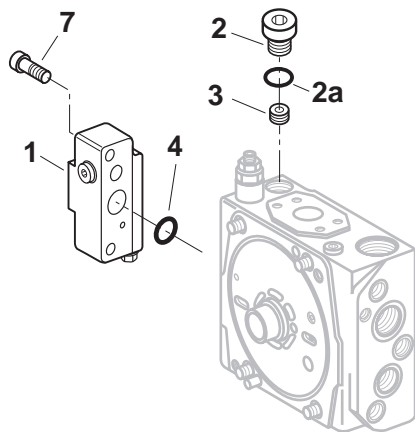
Option D

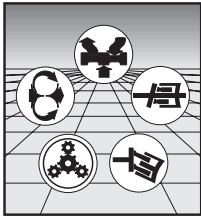


Option's F, P, L, M

Option K

Option S





REXROTH CORPORATION

MOBILE HYDRAULICS DIVISION

Filtration Options

Item	Description	Qty	Part Number	
Option D				
1	Plug (M22 x 1.5)	2	76116-009	*▲
2	Adapter fitting (M22 to 1 1/16-12)	1	HU00448824	
3	Plug (M18 x 1.5 DIN 906)	1	76117-007	
4	O-Ring (90 Duro Buna PRP-118)	1	68104-118	*▲
Option F, P, L, M				
1	Filter Element	1	HU00157926	
2	Plug (1 1/16-12 UNF)	1	76107-012	
2a	O-Ring (90 Duro Buna Tube PRP-912)	1	68105-912	*▲■
3	Plug (M18 x 1.5 DIN 906)	1	76117-007	
4	O-Ring (90 Duro Buna PRP-118)	3	68104-118	*▲
5	Visual Contamination Indicator	1	HU00830834	
5	Electrical Contamination Indicator	1	HU00830265	
5	Visual and Electrical Contamination Indicator	1	HU00830543	
6	Electrical Connector	1	HU00152503	
7	Cap Screw (M8 x 25 DIN 912-8.8)	4	60118-083	
Option K				
1	Cold Start Valve	1	HU02006412	
2	Plug (1 1/16-12 UNF)	1	76107-012	
2a	O-Ring (90 Duro Buna Tube PRP-912)	1	68105-912	*▲■
3	Plug (M18 x 1.5 DIN 906)	1	76117-007	
4	O-Ring (90 Duro Buna PRP-118)	3	68104-118	*▲
7	Cap Screw (M8 x 30 DIN 912-8.8)	3	60118-084	
Option S				
1	Plug (M22 x 1.5)	3	76116-009	*▲
2	Plug (1 1/16-12 UNF)	1	76107-012	
2a	O-Ring (90 Duro Buna Tube PRP-912)	1	68105-912	*▲■

- * Contained in Seal Kit (P) 5430-635-025
- ▲ Contained in Seal Kit (N) 5430-635-026
- Included with 76107-012

Variable Displacement Pump AA4VG Series 32

Specifications, descriptions, and illustrative material shown herein were as accurate as known at the time this publication was printed. Rexroth reserves the right to discontinue models or options at any time or to change specifications, materials, or designs without notice and without incurring obligation.

DISTRIBUTED BY: