

Spare parts list

Product Unit
Axial Piston Units

Part No.: R909422746

Designation: AA4VG28EP2D1/30R-PSC60F001S *G*

Drawing no.: R909709567

Pos.	Part No.	Designation	Quantity	
1	R909434317	ROTARY GROUP	1 ST	L
2	R909600897	CONTROL, HYDRAULIC	1 ST	L
3	R909422109	PORT PLATE WITH VALVES	1 ST	L
4	R909422134	INTERNAL GEAR PUMP ASSEMBLY	1 ST	L
6	R909600961	CONTROL MODULE	1 ST	L
8	R909426665	HOUSING	1 ST	
9	R909426076	HOUSING COVER	1 ST	
10	R909414228	LOCKING SCREW	2 ST	
11	R909449291	JOINT PIN	2 ST	
13	R909154981	THREADED PIN	1 ST	D
14	R909405732	DOWEL PIN	1 ST	
16	R909435277	GASKET	1 ST	D
17	R909083018	SOCKET-HEAD SCREW	11 ST	D
18	R909156579	CLAMPING PIN	2 ST	D
19	R909152726	SEAL RING	2 ST	D
20	R909153339	LOCKING SCREW	3 ST	D
21	R909154478	LOCKING SCREW	5 ST	D
22	R909084400	LOCKING SCREW	1 ST	D
23	R909083761	O-RING	1 ST	D
24	R909831318	DOUBLE BREAK-OFF PIN	2 ST	D
26	R909153271	SEAL LOCK NUT	1 ST	D
29	R909156493	ORIFICE	2 ST	D
36	R909153572	LOCKING SCREW	1 ST	D
41	R909084302	SEAL RING	2 ST	D
45	R909428678	HYDRAULIC LINE	1 ST	L
46	R909157319	PIPE CLAMP	1 ST	
47	R909083001	SOCKET-HEAD SCREW	1 ST	

Safety Notes:

Service – and repair works have to be carried out by the Bosch Rexroth AG or their repair stations only. We do not grant any warranty for defects due to assembly, maintenance or repair not effected by the Bosch Rexroth AG or their repair stations.

L = Assembly group D = Sealing element

Page: 1

Date: 03.01.2007

Spare parts list

Product Unit
Axial Piston Units

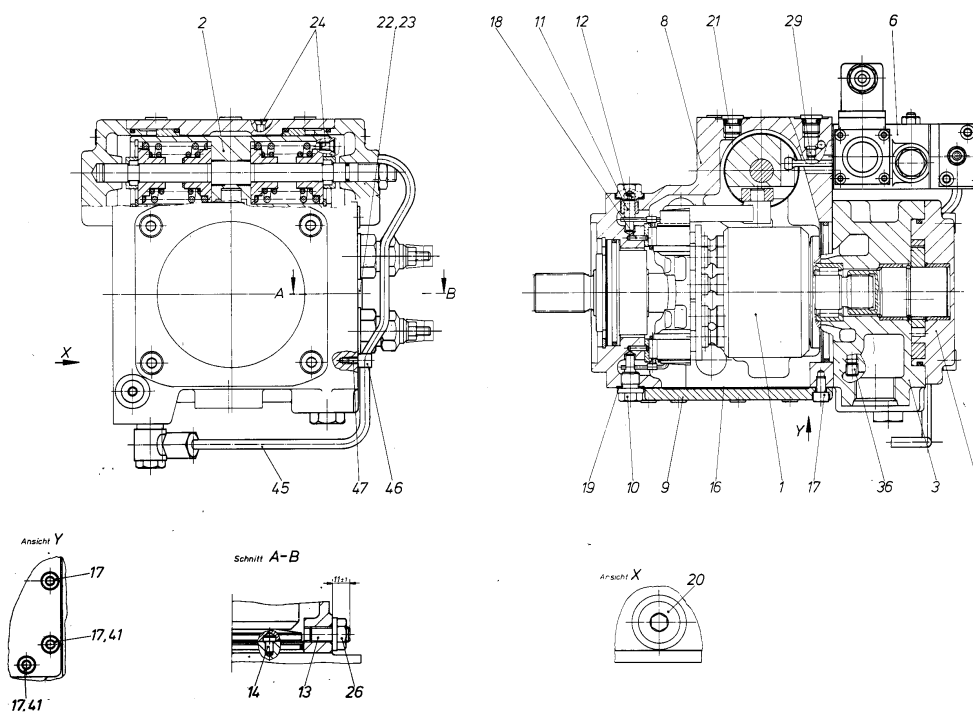
Part No.: R909422746

Designation: AA4VG28EP2D1/30R-PSC60F001S

G

Drawing no.:

R909709567



Spare parts list

Product Unit
Axial Piston Units

Part No.: R909434317

Designation: ROTARY GROUP

Drawing no.: R909702925

Pos.	Part No.	Designation	Quantity	
1	R902012943	CYLINDER WITH CONTROL PLATE	1 ST	L
2	R909431514	PISTON-SLIPPER PAD	9 ST	
11	R909444151	CUP-SPRING STACK	1 ST	
12	R909443586	CRADLE	1 ST	
13	R909449509	SLIDE RING	1 ST	
14	R909415265	DRIVE SHAFT	1 ST	
16	R909419824	COVER	1 ST	D
17	R909413920	WIRE	2 ST	
20	R909432999	SHIM	1 ST	
20	R909435000	SHIM	1 ST	
20	R909435001	SHIM	1 ST	
20	R909435002	SHIM	1 ST	
24	R909443284	RETAINING PLATE	1 ST	
25	R909431343	RETAINING BALL	1 ST	
26	R902066597	BEARING LINER (PAIR)	1 ST	
31	R909156605	PLAIN ROLLER BEARING	1 ST	
32	R909156625	CRADLE BEARING ASSEMBLY (SET)	1 ST	
36	R909083355	RETAINING RING	1 ST	
37	R909083410	RETAINING RING	1 ST	
38	R909153249	SHAFT SEAL RING	1 ST	D
39	R909150068	O-RING	1 ST	D

L = Assembly group D = Sealing element

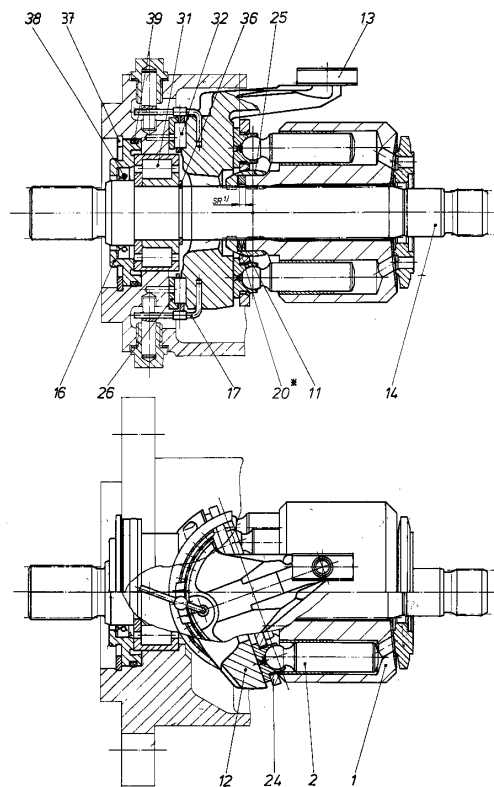
Spare parts list

Product Unit
Axial Piston Units

Part No.: R909434317

Designation: ROTARY GROUP

Drawing no.: R909702925



Spare parts list

Product Unit
Axial Piston Units

Part No.: R902012943

Designation: CYLINDER WITH CONTROL PLATE

Pos.	Part No.	Designation	Quantity
1	R902037329	CYLINDER WITH BUSH	1 ST
2	R902010082	CONTROL PLATE	1 ST

Spare parts list

Product Unit
Axial Piston Units

Part No.: R909600897

Designation: CONTROL, HYDRAULIC

Drawing no.: R909729909

Pos.	Part No.	Designation	Quantity	
1	R902002694	POSITIONING PISTON	1 ST	
2	R909440403	ROD	1 ST	
3	R909415207	COVER	1 ST	
4	R909415419	COVER	1 ST	
5	R902015508	RING	2 ST	
5	R902013493	RING	1 ST	
5	R902015509	RING	1 ST	
5	R902015510	RING	1 ST	
5	R902015514	RING	1 ST	
5	R902015513	RING	1 ST	
6	R909400470	SLEEVE	2 ST	
7	R909435567	SPRING COLLAR	4 ST	
8	R909154725	SHIM	1 ST	
8	R909154477	SHIM	1 ST	
8	R909154476	SHIM	1 ST	
9	R909414208	PRESSURE SPRING	2 ST	
10	R909414209	PRESSURE SPRING	2 ST	
11	R909414226	BUSH	2 ST	
15	R909083400	RETAINING RING	2 ST	
16	R909154918	HEXAGON NUT	1 ST	
17	R909083021	SOCKET-HEAD SCREW	8 ST	D
18	R909083249	LOCK WASHER	8 ST	
19	R909085709	O-RING	1 ST	D
20	R909152464	O-RING	4 ST	D

Spare parts list

Product Unit
Axial Piston Units

Part No.: R909422109

Designation: PORT PLATE WITH VALVES

Drawing no.: R909705154

Pos.	Part No.	Designation	Quantity	
1	R909419675	PRESSURE RELIEF VALVE	2 ST	L
2	R909433667	PRESSURE RELIEF VALVE	1 ST	L
3	R902017415	SHUTTLE VALVE	1 ST	L
5	R909449032	PORT PLATE	1 ST	
6	R909449134	BEARING BUSHING	1 ST	
7	R909153287	SOCKET-HEAD SCREW	4 ST	
9	R909085360	O-RING	1 ST	D
22	R909153245	PLAIN ROLLER BEARING	1 ST	
26	R909086332	O-RING	1 ST	D
30	R909153364	LOCKING SCREW	1 ST	D
35	R909151692	LOCKING SCREW	1 ST	D
36	R909154478	LOCKING SCREW	2 ST	D
37	R909153338	LOCKING SCREW	1 ST	D
39	R909086333	O-RING	1 ST	D

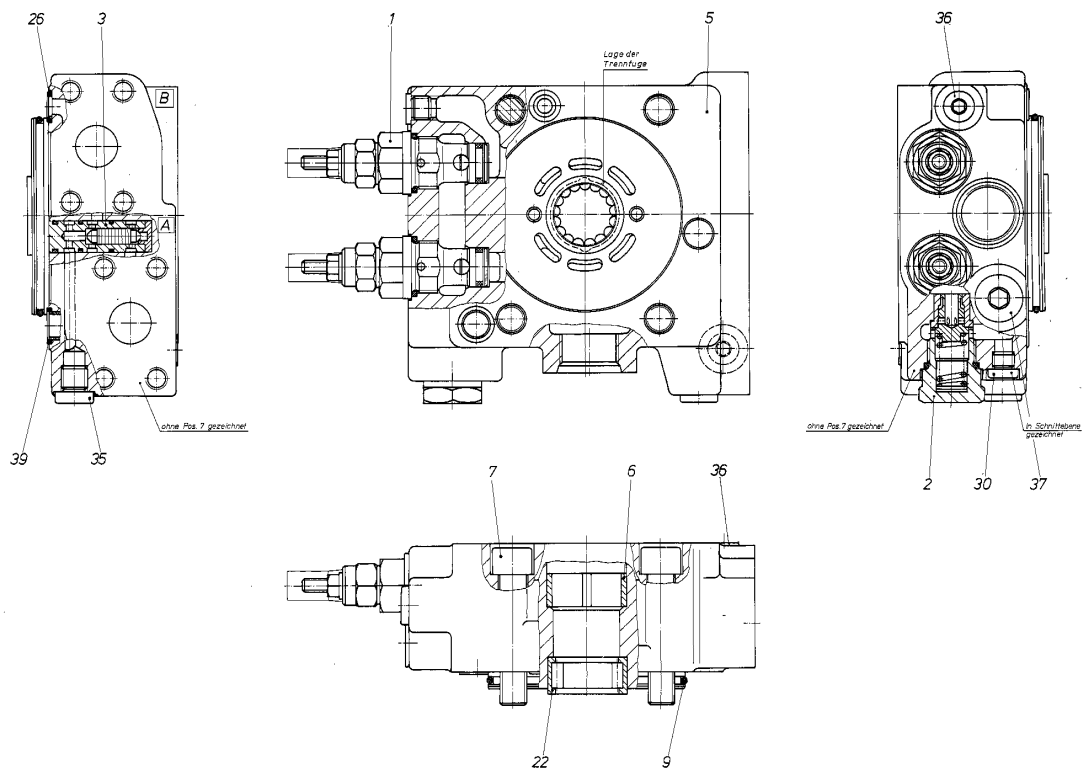
Spare parts list

Product Unit
Axial Piston Units

Part No.: R909422109

Designation: PORT PLATE WITH VALVES

Drawing no.: R909705154



Spare parts list

Product Unit
Axial Piston Units

Part No.: R909419675

Designation: PRESSURE RELIEF VALVE

Drawing no.: R909730980

Pos.	Part No.	Designation	Quantity	
1	R909422484	VALVE BUSHING	1 ST	
2	R909419677	SPRING CAGE	1 ST	
3	R909419678	PISTON	1 ST	
4	R909415675	RING PISTON	1 ST	
5	R909420968	VALVE COLLAR	1 ST	
6	R909443701	VALVE POPPET	1 ST	
7	R909415678	SPRING COLLAR	1 ST	
9	R909415687	PRESSURE SPRING	1 ST	
10	R909419679	PRESSURE SPRING	1 ST	
12	R909153284	THREADED PIN	1 ST	
13	R909152425	SEAL LOCK NUT	1 ST	D
14	R909083753	O-RING	1 ST	D
15	R909086517	O-RING	1 ST	D
16	R909083753	O-RING	1 ST	D

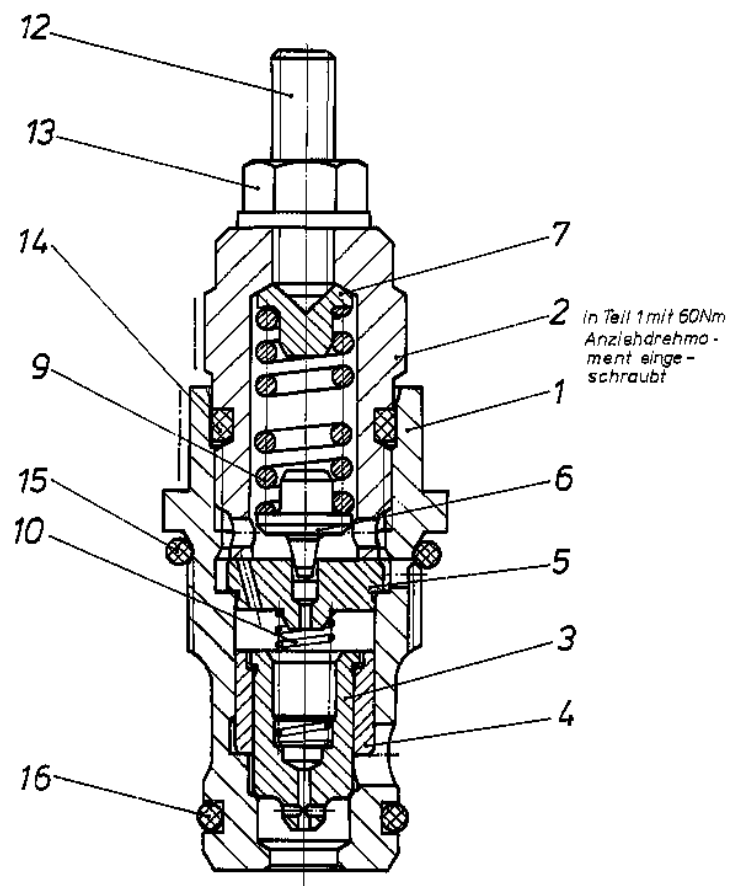
Spare parts list

Product Unit
Axial Piston Units

Part No.: R909419675

Designation: PRESSURE RELIEF VALVE

Drawing no.: R909730980



Anziehdrehmoment des Ventils: 60 Nm

Spare parts list

Product Unit
Axial Piston Units

Part No.: R909433667

Designation: PRESSURE RELIEF VALVE

Drawing no.: R909730852

Pos.	Part No.	Designation	Quantity	
1	R909432818	LOCKING SCREW	1 ST	
2	R909432819	VALVE PISTON	1 ST	
3	R909432820	BUSH	1 ST	
4	R909424461	PRESSURE SPRING	1 ST	
6	R909083758	O-RING	1 ST	D
7	R909157078	SHIM	1 ST	
7	R909157866	SHIM	1 ST	
7	R909153799	SHIM	1 ST	

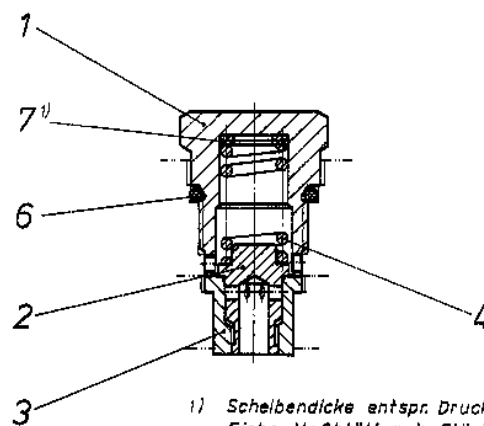
Spare parts list

Product Unit
Axial Piston Units

Part No.: R909433667

Designation: PRESSURE RELIEF VALVE

Drawing no.: R909730852



Spare parts list

Product Unit
Axial Piston Units

Part No.: R902017415

Designation: SHUTTLE VALVE

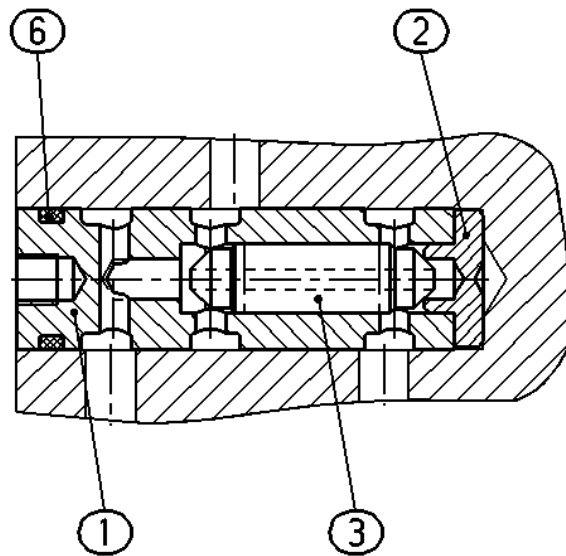
Drawing no.: R902017416

Pos.	Part No.	Designation	Quantity	
1	R902017417	VALVE BUSHING	1 ST	
2	R909421998	POPPET SEAT	1 ST	
3	R909421999	VALVE PISTON	1 ST	
6	R909086332	O-RING	1 ST	D

Spare parts list

Part No.: R902017415

Designation: SHUTTLE VALVE



Spare parts list

Product Unit
Axial Piston Units

Part No.: R909422134

Designation: INTERNAL GEAR PUMP ASSEMBLY

Drawing no.: R909723530

Pos.	Part No.	Designation	Quantity	
1	R909439861	PUMP COVER	1 ST	
2	R909415375	STUB SHAFT	1 ST	
3	R909449134	BEARING BUSHING	1 ST	
7	R902006253	WHEEL SET	1 ST	
8	R902025647	SHAFT KEY	1 ST	
9	R909156741	SNAP RING	1 ST	
10	R909083036	SOCKET-HEAD SCREW	4 ST	
11	R909083250	LOCK WASHER	4 ST	
12	R909086679	O-RING	1 ST	D

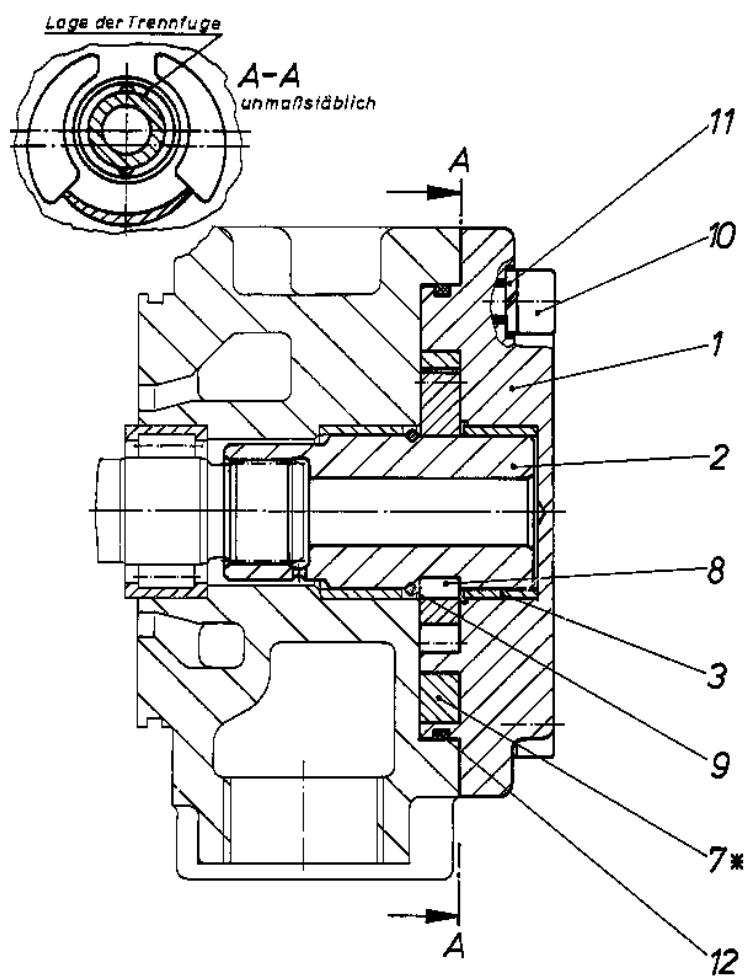
Spare parts list

Product Unit
Axial Piston Units

Part No.: R909422134

Designation: INTERNAL GEAR PUMP ASSEMBLY

Drawing no.: R909723530



L = Assembly group D = Sealing element

Spare parts list

Product Unit
Axial Piston Units

Part No.: R909600961

Designation: CONTROL MODULE

Drawing no.: R909726272

Pos.	Part No.	Designation	Quantity	
1	R909416220	CONTROL MODULE	1 ST	L
2	R909650098	FEEDBACK LEVER	1 ST	
3	R909420953	PRESSURE OVERRIDE VALVE	1 ST	L
5	R909415995	BOLT	1 ST	
9	R909416168	PRESSURE SPRING	2 ST	
11	R909416052	SPRING COLLAR	2 ST	
12	R909156804	RETAINING DISC	2 ST	
13	R909156829	SOCKET-HEAD SCREW	4 ST	
14	R902602622	PLUG SOCKET	1 ST	
15	R902602623	PLUG SOCKET	1 ST	
17	R909083737	O-RING	2 ST	D
28	R909153284	THREADED PIN	2 ST	
29	R909152425	SEAL LOCK NUT	2 ST	D
30	R909083753	O-RING	2 ST	D
35	R909416067	LOCKING SCREW	2 ST	
45	R909441692	PROPORTIONAL SOLENOID WITH SCREWS	2 ST	L

L = Assembly group D = Sealing element

Page: 17

Date: 03.01.2007

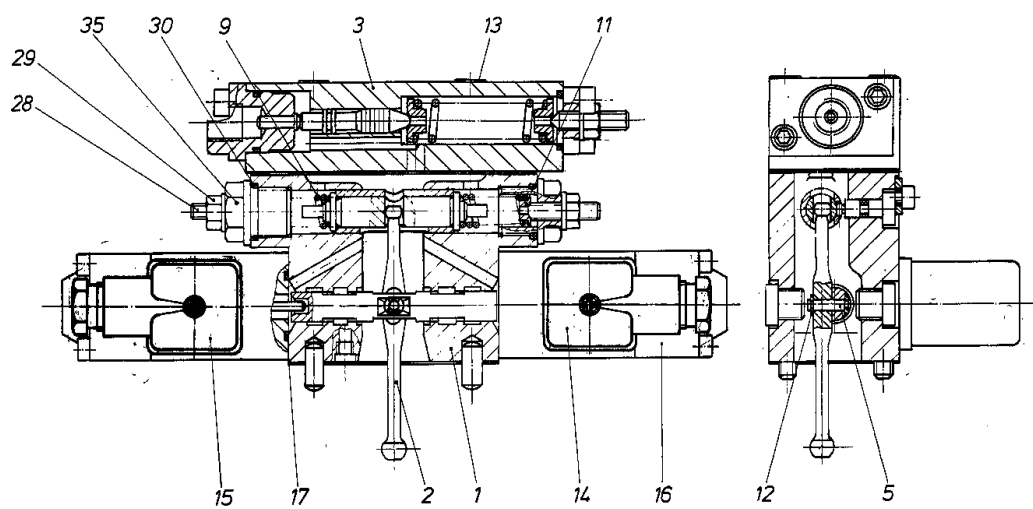
Spare parts list

Product Unit
Axial Piston Units

Part No.: R909600961

Designation: CONTROL MODULE

Drawing no.: R909726272



L = Assembly group D = Sealing element

Page: 18

Date: 03.01.2007

Spare parts list

Product Unit
Axial Piston Units

Part No.: R909416220

Designation: CONTROL MODULE

Drawing no.: R909726097

Pos.	Part No.	Designation	Quantity	
1	R909449552	HOUSING	1 ST	
4	R909449698	CONTROL PISTON	1 ST	
5	R909440375	GASKET	2 ST	D
6	R909415996	PISTON	1 ST	
7	R909418604	BUSH	1 ST	
8	R909415998	SPRING COLLAR	2 ST	
11	R909449547	ECCENTRIC PIN	1 ST	
14	R909449583	WASHER	1 ST	
22	R909087338	CYLINDER PIN	2 ST	D
24	R909083001	SOCKET-HEAD SCREW	1 ST	
25	R909153364	LOCKING SCREW	2 ST	D
29	R902600639	O-RING	1 ST	D

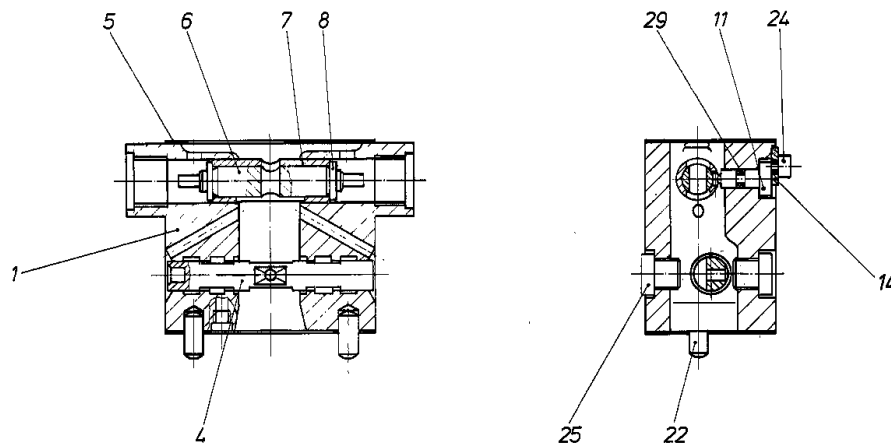
Spare parts list

Product Unit
Axial Piston Units

Part No.: R909416220

Designation: CONTROL MODULE

Drawing no.: R909726097



Spare parts list

Product Unit
Axial Piston Units

Part No.: R909420953

Designation: PRESSURE OVERRIDE VALVE

Drawing no.: R902017286

Pos.	Part No.	Designation	Quantity	
1	R909425593	HOUSING	1 ST	
2	R909404572	CONNECTING HOUSING	1 ST	D
3	R909404507	COVER	1 ST	
4	R909426938	PRESSURE SPRING	1 ST	D
5	R909420971	SPRING COLLAR	2 ST	
6	R909405777	CONTROL PISTON	1 ST	
7	R909435880	PISTON	1 ST	D
10	R909157096	THREADED PIN	1 ST	
11	R909152425	SEAL LOCK NUT	1 ST	D
12	R909083734	O-RING	1 ST	D
13	R909084939	O-RING	1 ST	D
14	R909083009	SOCKET-HEAD SCREW	4 ST	
16	R909831317	DOUBLE BREAK-OFF PIN	1 ST	D
17	R909831318	DOUBLE BREAK-OFF PIN	1 ST	D
18	R902600705	PLUG	1 ST	

Spare parts list

Product Unit
Axial Piston Units

Part No.: R909441692

Designation: PROPORTIONAL SOLENOID WITH SCREWS

Drawing no.: R909732691

Pos.	Part No.	Designation	Quantity
1	R909830754	SOLENOID	1 ST
2	R909086070	SOCKET-HEAD SCREW	4 ST

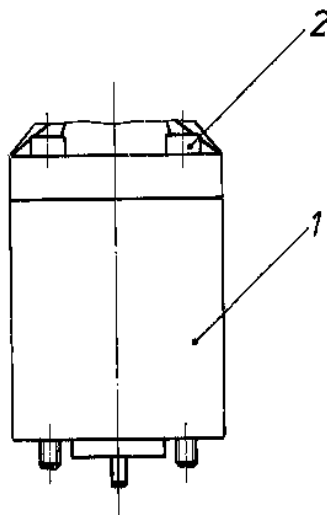
Spare parts list

Product Unit
Axial Piston Units

Part No.: R909441692

Designation: PROPORTIONAL SOLENOID WITH SCREWS

Drawing no.: R909732691



Spare parts list

Product Unit
Axial Piston Units

Part No.: R909428678

Designation: HYDRAULIC LINE

Drawing no.: R909731495

Pos.	Part No.	Designation	Quantity
1	R909430996	PIPE	1 ST
2	R909083315	FITTING	1 ST
3	R909152011	FITTING	1 ST

Spare parts list

Product Unit
Axial Piston Units

Part No.: R909428678

Designation: HYDRAULIC LINE

Drawing no.: R909731495

