

## Spare parts list

Product Unit  
Axial Piston Units

Part No.: R902033564  
Designation: A4VG90DA2D2/32L-NAF02F001S-S \*G\*

Drawing no.: R909733206

Pos.	Part No.	Designation	Quantity	
1	R909607883	ROTARY GROUP	1 ST	L
2	R902017049	CONTROL, HYDRAULIC	1 ST	L
3	R909608592	PORT PLATE WITH VALVES	1 ST	L
4	R909606811	INTERNAL GEAR PUMP ASSEMBLY	1 ST	L
5	R902033508	4/3-WAY DIRECTIONAL VALVE	1 ST	L
7	R909414719	CONTROL CARTRIDGE	1 ST	LD
10	R902010628	HOUSING	1 ST	
13	R909449714	JOINT PIN	2 ST	
20	R909153891	LOCKING SCREW	2 ST	D
21	R909153815	LOCKING SCREW	1 ST	D
22	R909153816	LOCKING SCREW	3 ST	D
31	R909156579	CLAMPING PIN	2 ST	D
32	R909151692	LOCKING SCREW	1 ST	D
33	R909151694	LOCKING SCREW	2 ST	D
35	R909153364	LOCKING SCREW	4 ST	D
41	R909065583	THREADED-REDUCING CONNECT.STUD	1 ST	
46	R902035616	ECCENTRIC SCREW	1 ST	
47	R909087405	SEAL LOCK NUT	1 ST	D
49	R909426706	ORIFICE	1 ST	
54	R909652110	THROTTLE SCREW	1 ST	
58	R902014733	HYDRAULIC LINE	1 ST	L
98	R902095526	SEAL KIT,COMPLETE	1 ST	

### Safety Notes:

**Service – and repair works have to be carried out by the Bosch Rexroth AG or their repair stations only. We do not grant any warranty for defects due to assembly, maintenance or repair not effected by the Bosch Rexroth AG or their repair stations.**

L = Assembly group    D = Sealing element

Status of version: 3/2006

Page: 1

Date: 11.07.2006

## Spare parts list

Product Unit

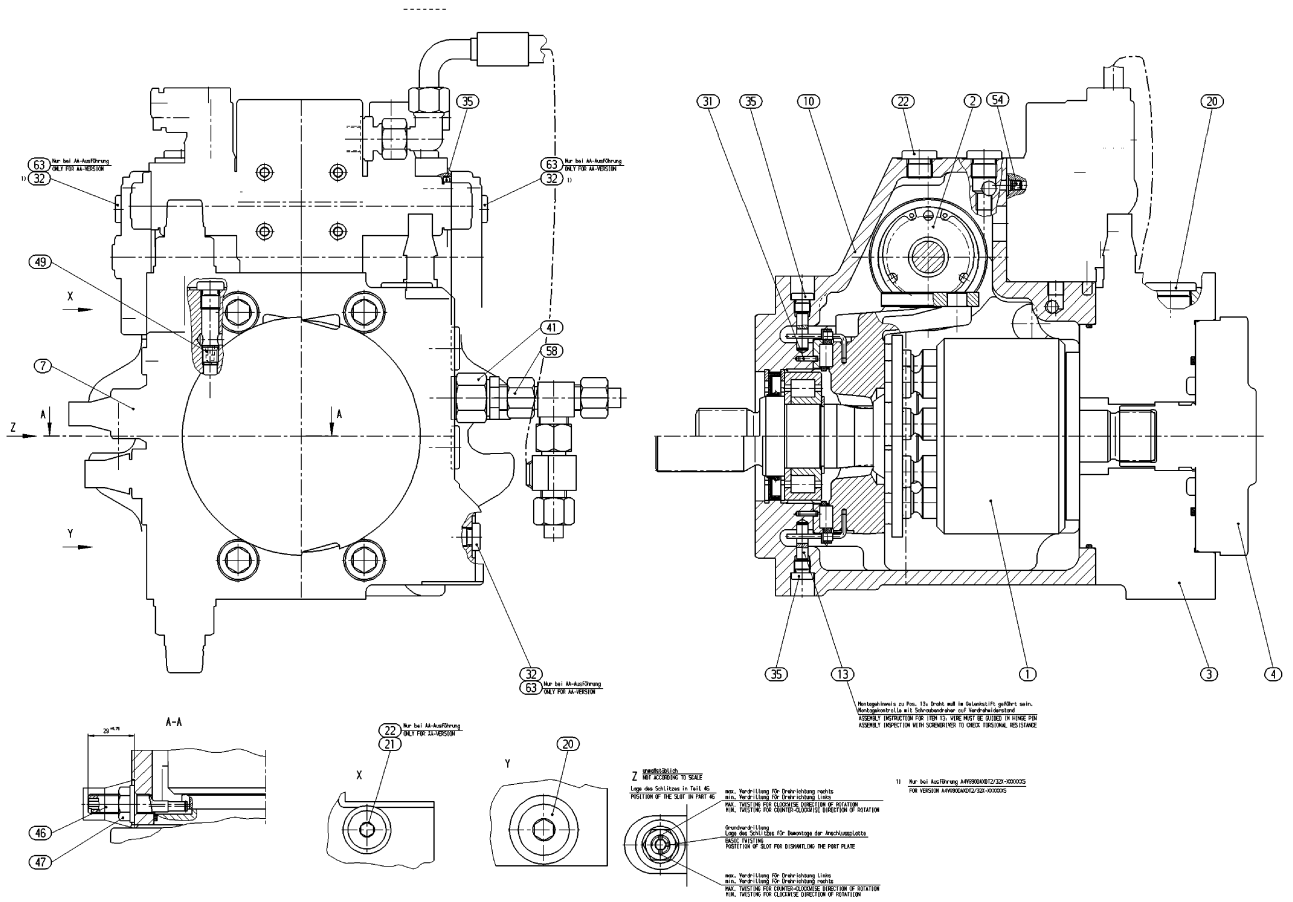
Axial Piston Units

Part No.: R902033564

Designation: A4VG90DA2D2/32L-NAF02F001S-S

\*G\*

Drawing no.: R909733206



**Spare parts list**Product Unit  
Axial Piston UnitsPart No.: R909607883  
Designation: ROTARY GROUP

Drawing no.: R902079219

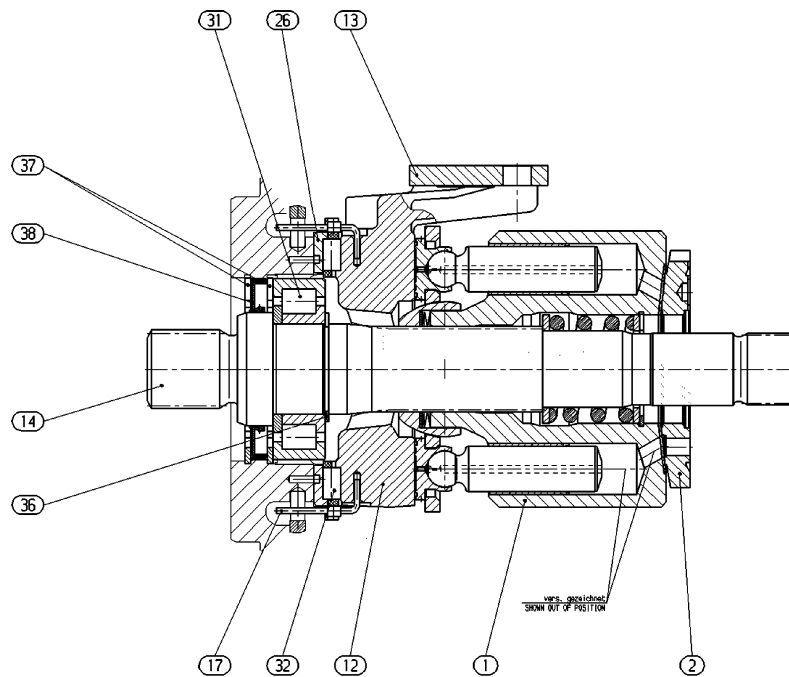
Pos.	Part No.	Designation	Quantity	
1	R902079223	ROTARY GROUP, HYDR. SECTION	1 ST	L
2	R902007629	CONTROL PLATE	1 ST	
12	R909922255	CRADLE	1 ST	
13	R909449810	SLIDE RING	1 ST	
14	R909921549	DRIVE SHAFT	1 ST	
17	R909417959	WIRE	2 ST	
26	R902066593	BEARING LINER (PAIR)	1 ST	
31	R909153104	PLAIN ROLLER BEARING	1 ST	
32	R909830165	CRADLE BEARING ASSEMBLY ( SET)	1 ST	
36	R909083362	RETAINING RING	1 ST	
37	R902600001	RETAINING RING	2 ST	
38	R902601820	SHAFT SEAL RING	1 ST	D
98	R902002390	SEAL KIT DRIVE SHAFT	1 ST	

## Spare parts list

Part No.: R909607883  
Designation: ROTARY GROUP

Product Unit  
Axial Piston Units

Drawing no.: R902079219



**Spare parts list**Product Unit  
Axial Piston UnitsPart No.: R902079223  
Designation: ROTARY GROUP, HYDR. SECTION

Drawing no.: R902079225

Pos.	Part No.	Designation	Quantity
1	R902018860	CYLINDER WITH BUSH	1 ST
2	R909414515	PISTON-SLIPPER PAD	9 ST
11	R909921728	CUP-SPRING STACK	1 ST
20	R909432984	SHIM	1 ST
20	R909432985	SHIM	1 ST
20	R909432983	SHIM	1 ST
20	R909432986	SHIM	1 ST
24	R909921729	RETAINING PLATE	1 ST
25	R909921730	RETAINING BALL	1 ST
27	R909449885	WASHER	2 ST
29	R909435649	PRESSURE SPRING	1 ST
41	R909084556	RETAINING RING	1 ST

## Spare parts list

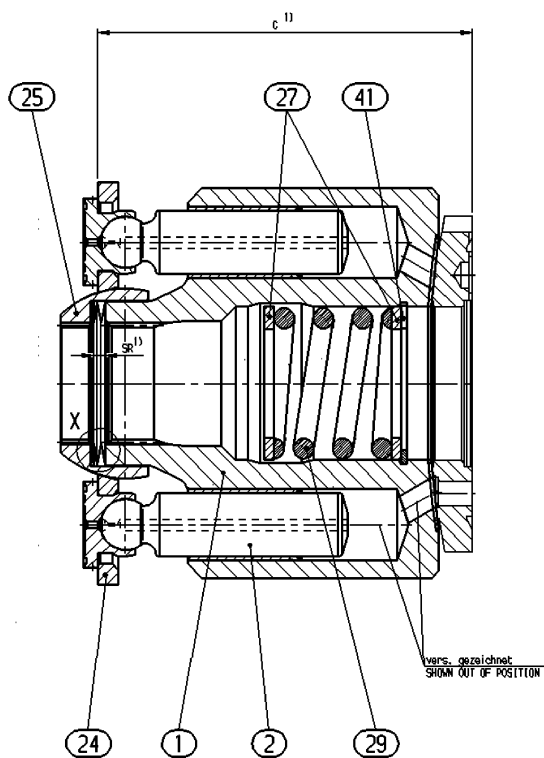
Product Unit

Axial Piston Units

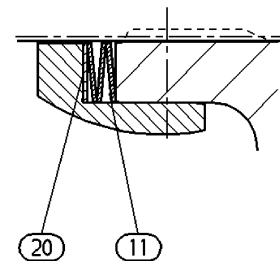
Part No.: R902079223

Designation: ROTARY GROUP, HYDR. SECTION

Drawing no.: R902079225



X unmaßstäblich  
NOT TO SCALE



- 1) Abstimmmaß C bei  $\alpha = 0^\circ$   
 Abstimmung mit Pos.20, Simulierung SR =  $4.0^{+0.05}_{-0.05}$  und Nullplatte  
 C =  $117.4_{-0.2}$
- 1) TUNING DIMENSION C WITH  $\alpha = 0^\circ$   
 TUNING WITH POS.20, SIMULATION RING SR =  $4.0^{+0.05}_{-0.05}$  AND ZERO PLATE  
 C =  $117.4_{-0.2}$

**Spare parts list**

Product Unit

Axial Piston Units

Part No.: R902017049

Designation: CONTROL, HYDRAULIC

Drawing no.: R902010629

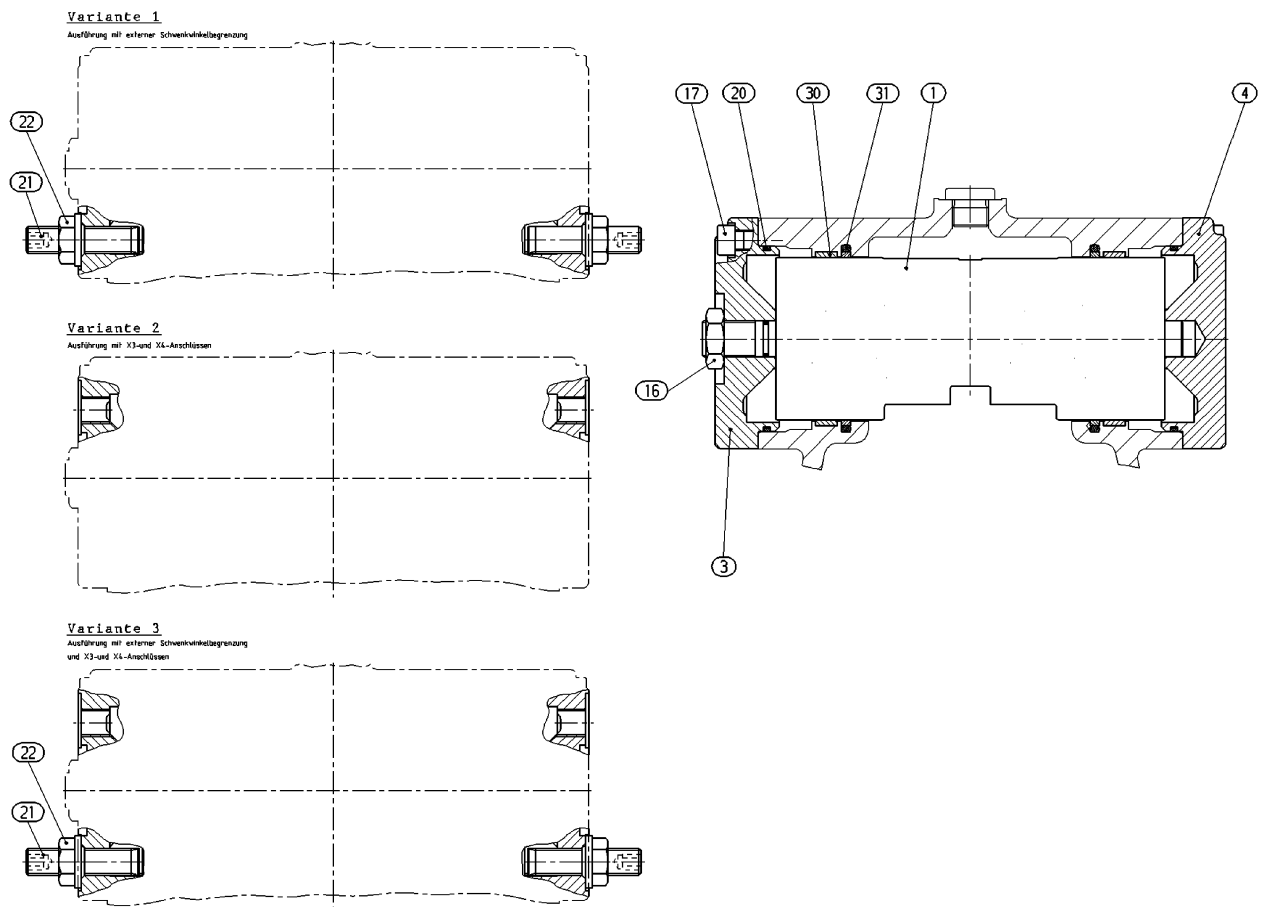
Pos.	Part No.	Designation	Quantity	
1	R902025534	POSITIONING PISTON COMPLETE	1 ST	L
3	R902010621	COVER	1 ST	
4	R902010622	COVER	1 ST	
16	R909157477	HEXAGON NUT	1 ST	
17	R909083036	SOCKET-HEAD SCREW	8 ST	
20	R909083790	O-RING	2 ST	D
30	R902600838	GUIDE RING	2 ST	
31	R902600270	TURCON-GLYD-RING	2 ST	D
98	R902002373	SEAL KIT HYDR. CONTROL	1 ST	

## Spare parts list

Part No.: R902017049  
Designation: CONTROL, HYDRAULIC

Product Unit  
Axial Piston Units

Drawing no.: R902010629





Spare parts list

Product Unit  
Axial Piston Units

Part No.: R902025534  
Designation: POSITIONING PISTON COMPLETE

Drawing no.: R902025513

Pos.	Part No.	Designation	Quantity	
1	R902015534	POSITIONING PISTON	1 ST	
2	R909922109	ROD	1 ST	
5	R902020494	RING	2 ST	
5	R902020493	RING	2 ST	
5	R902020495	RING	2 ST	
5	R902020496	RING	2 ST	
5	R902020497	RING	2 ST	
5	R902020498	RING	2 ST	
5	R902029756	RING	2 ST	
5	R902029757	RING	2 ST	
5	R902043149	RING	2 ST	
6	R902600767	ASSEMBLY RING	2 ST	
7	R902020100	SPRING COLLAR	2 ST	
10	R909922121	PRESSURE SPRING	2 ST	
11	R909922122	PRESSURE SPRING	2 ST	
15	R909830312	RETAINING RING	2 ST	
19	R909086333	O-RING	1 ST	D
23	R909922116	SPRING COLLAR	2 ST	

## Spare parts list

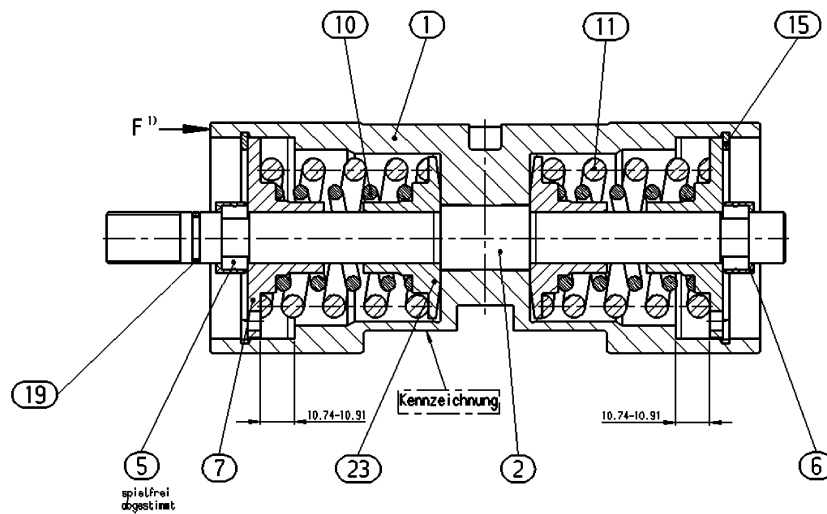
Product Unit

Axial Piston Units

Part No.: R902025534

Designation: POSITIONING PISTON COMPLETE

Drawing no.: R902025513



1) **Stellkolben, komplett**

Federkraft	bei 5 bar-10 bar	bei 5 bar-12,5 bar	bei 5 bar-15 bar	bei 5 bar-18,4 bar	bei 7 bar-18,4 bar	bei 5 bar-20 bar	bei 4,1 bar-22,6 bar
F <sub>1</sub> [N]	1874±147	1854±198	1913±239	1883±325	2676±290	1916±355	1541±429
F <sub>2</sub> [N]	3757±169	4697±225	5636±274	6924±373	6914±330	7479±408	8502±494

Spare parts list

Product Unit  
Axial Piston Units

Part No.: R909608592  
Designation: PORT PLATE WITH VALVES

Drawing no.: R909705403

Pos.	Part No.	Designation	Quantity	
1	R902602249	MHDBN22K2-20/520VHP-130 #150NM	2 ST	L
2	R909434856	PRESSURE RELIEF VALVE	1 ST	L
3	R909437363	PRESSURE OVERRIDE VALVE	1 ST	L
5	R909650736	PORT PLATE	1 ST	
6	R909449136	BEARING BUSHING	1 ST	
7	R909083141	SOCKET-HEAD SCREW	4 ST	
9	R909830300	O-RING	1 ST	D
11	R909831320	DOUBLE BREAK-OFF PIN	1 ST	D
13	R909154024	LOCKING SCREW	4 ST	D
26	R909086333	O-RING	2 ST	D
35	R909151692	LOCKING SCREW	3 ST	D
43	R909440537	BUSH	1 ST	
44	R909435790	BEARING BUSHING	1 ST	
48	R909831319	DOUBLE BREAK-OFF PIN	1 ST	D
98	R902002400	SEAL KIT PORT PLATE WITH VALVES	1 ST	

## Spare parts list

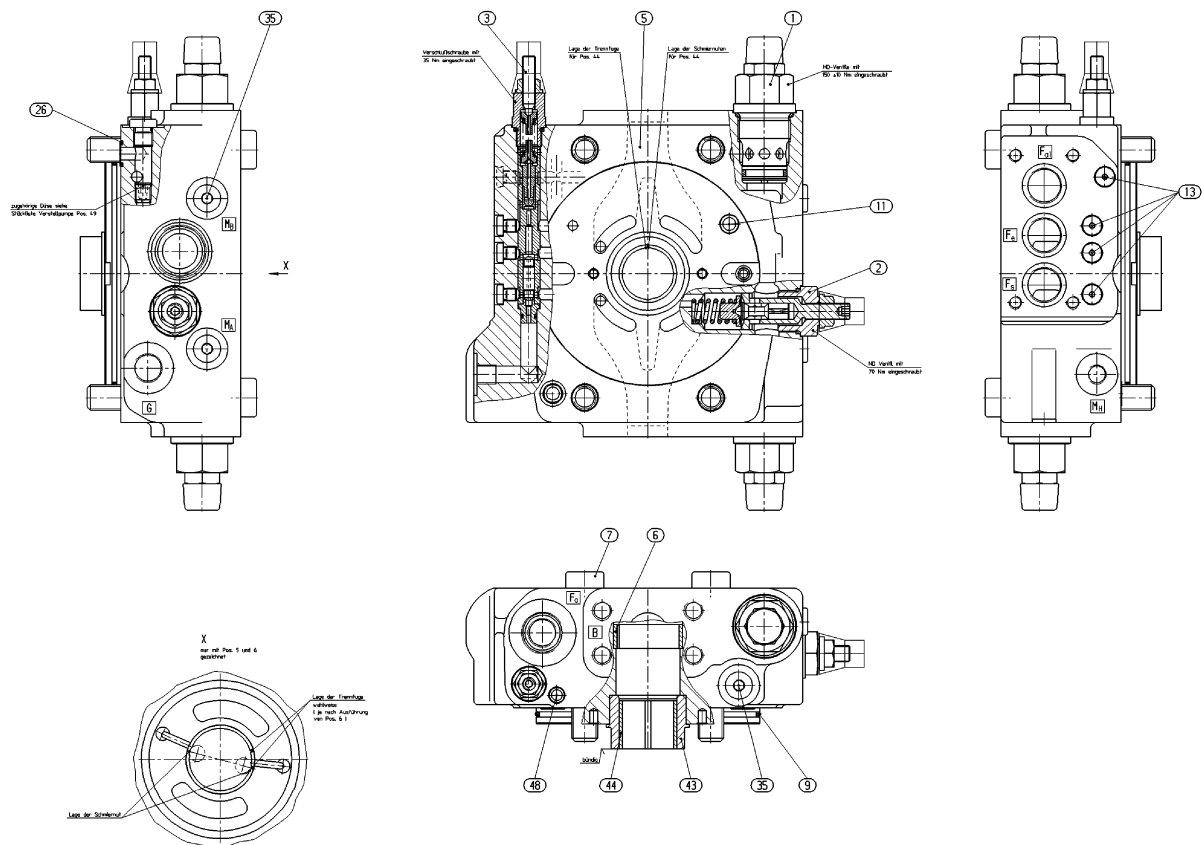
Part No.: R909608592

Designation: PORT PLATE WITH VALVES

Product Unit

Axial Piston Units

Drawing no.: R909705403



## Spare parts list

Product Unit  
Axial Piston Units

Part No.: R902602249

Designation: MHDBN22K2-20/520VHP-130 #150NM

Pos.	Part No.	Designation	Quantity	
1	R902600123	SEAL KIT	1 ST	D
2	R902602247	CAP	1 ST	

**Spare parts list**

Product Unit

Axial Piston Units

Part No.: R909434856

Designation: PRESSURE RELIEF VALVE

Drawing no.: R909730913

Pos.	Part No.	Designation	Quantity	
1	R909436167	LOCKING SCREW	1 ST	
2	R909449622	ADJUSTING SCREW	1 ST	
3	R909435899	VALVE PISTON	1 ST	
4	R902010336	SPRING COLLAR	1 ST	
5	R909440765	PRESSURE SPRING	1 ST	
8	R909083761	O-RING	1 ST	D
9	R909153271	SEAL LOCK NUT	1 ST	D

Spare parts list

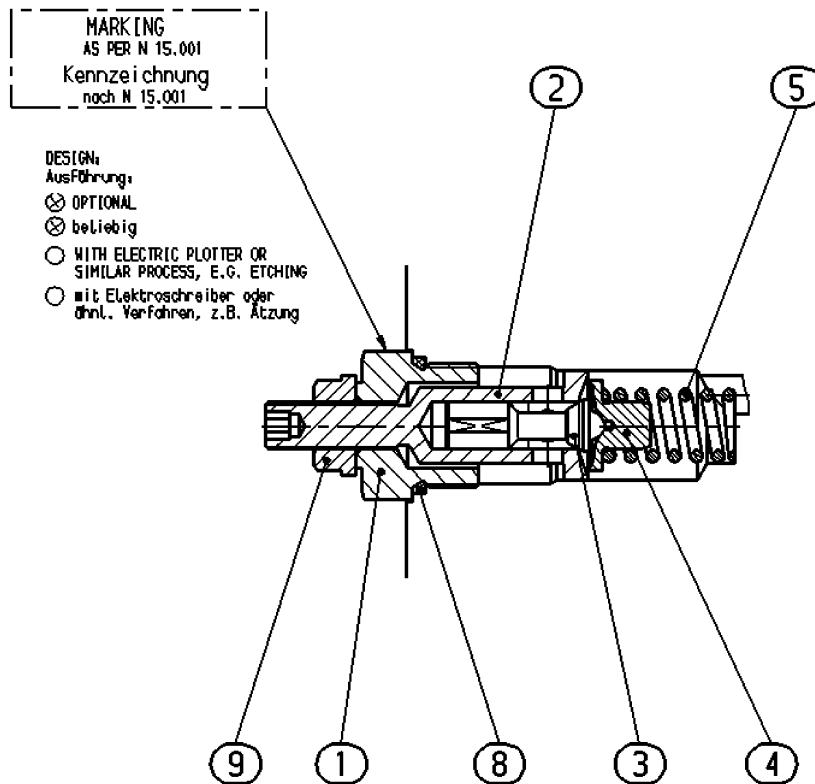
Part No.: R909434856

Designation: PRESSURE RELIEF VALVE

Product Unit

Axial Piston Units

Drawing no.: R909730913



**Spare parts list**

Product Unit

Axial Piston Units

Part No.: R909437363

Designation: PRESSURE OVERRIDE VALVE

Drawing no.: R909731051

Pos.	Part No.	Designation	Quantity	
1	R909436569	LOCKING SCREW	1 ST	
2	R909436553	VALVE BUSHING	1 ST	
3	R909432162	CONTROL PISTON	1 ST	
4	R909432163	PISTON	1 ST	
5	R909432164	VALVE PISTON	1 ST	
6	R909436284	POPPET SEAT	1 ST	
7	R902009402	PRESSURE SPRING	1 ST	
8	R902043092	SPRING COLLAR	2 ST	
9	R909432167	ADJUSTING SCREW	1 ST	
10	R909083752	O-RING	1 ST	D
14	R909152707	SEAL LOCK NUT	1 ST	D
15	R909086380	O-RING	1 ST	D



Spare parts list

Part No.: R909437363

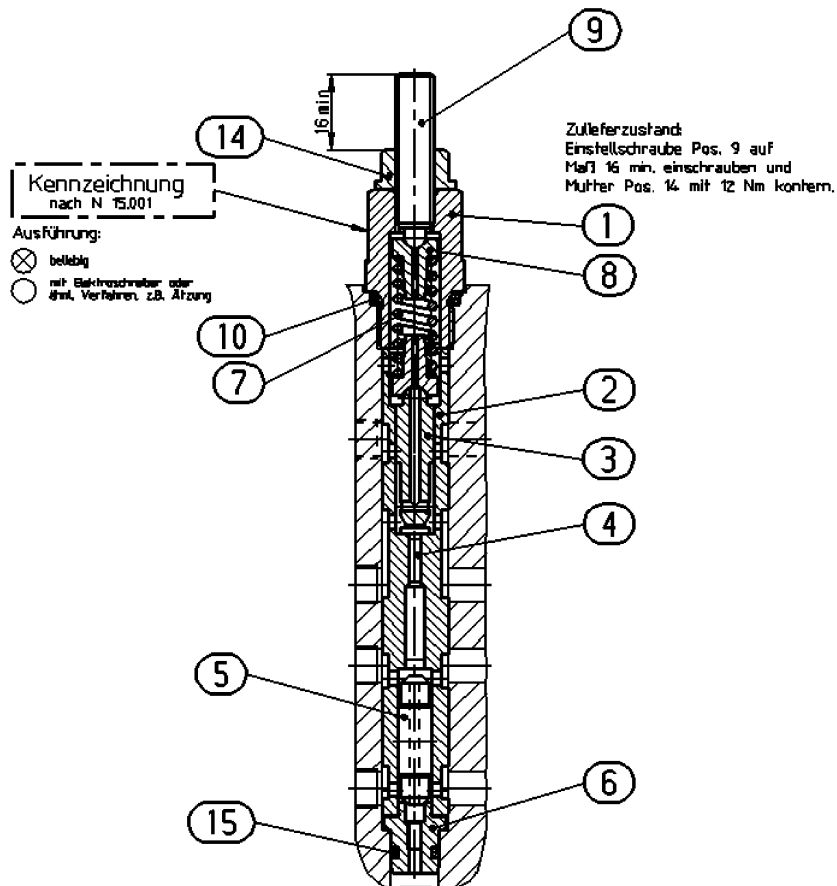
Designation: PRESSURE OVERRIDE VALVE

Product Unit

Axial Piston Units

Drawing no.: R909731051

Zum Blockieren der Druckabschneidung beim Überprüfen der Hochdruckventile die Einstellschraube Pos. 9 mit gelöster Kontermutter Pos. 14 bis zum Anschlag mit max. 2Nm im drucklosen Zustand eindrehen !



## Spare parts list

Product Unit  
Axial Piston Units

Part No.: R909606811  
Designation: INTERNAL GEAR PUMP ASSEMBLY

Drawing no.: R902077732

Pos.	Part No.	Designation	Quantity	
1	R902077765	INTERNAL GEAR PUMP	1 ST	L
2	R902077789	WEAR PLATE COMPLETE	1 ST	L
3	R902602447	LOCKING PLUG	2 ST	
98	R902002412	SEAL KIT INTERNAL GEAR PUMP	1 ST	

Spare parts list

Product Unit

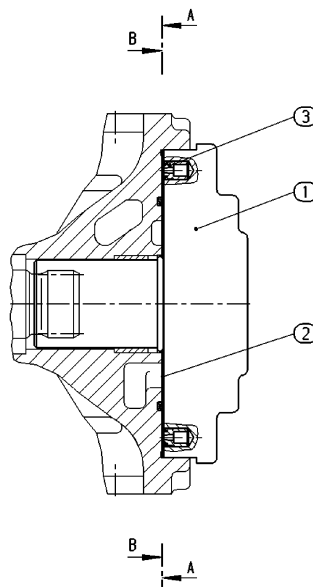
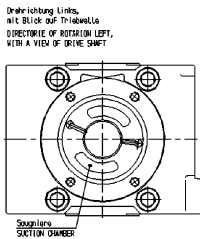
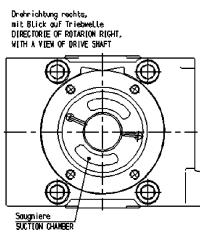
Axial Piston Units

Part No.: R909606811

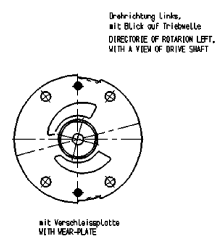
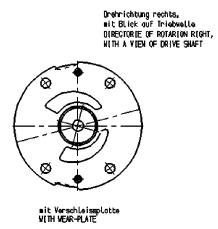
Designation: INTERNAL GEAR PUMP ASSEMBLY

Drawing no.: R902077732

A-A 1:2,5



B-B 1:2,5



**Spare parts list**

Product Unit

Axial Piston Units

Part No.: R902077765

Designation: INTERNAL GEAR PUMP

Drawing no.: R909723615

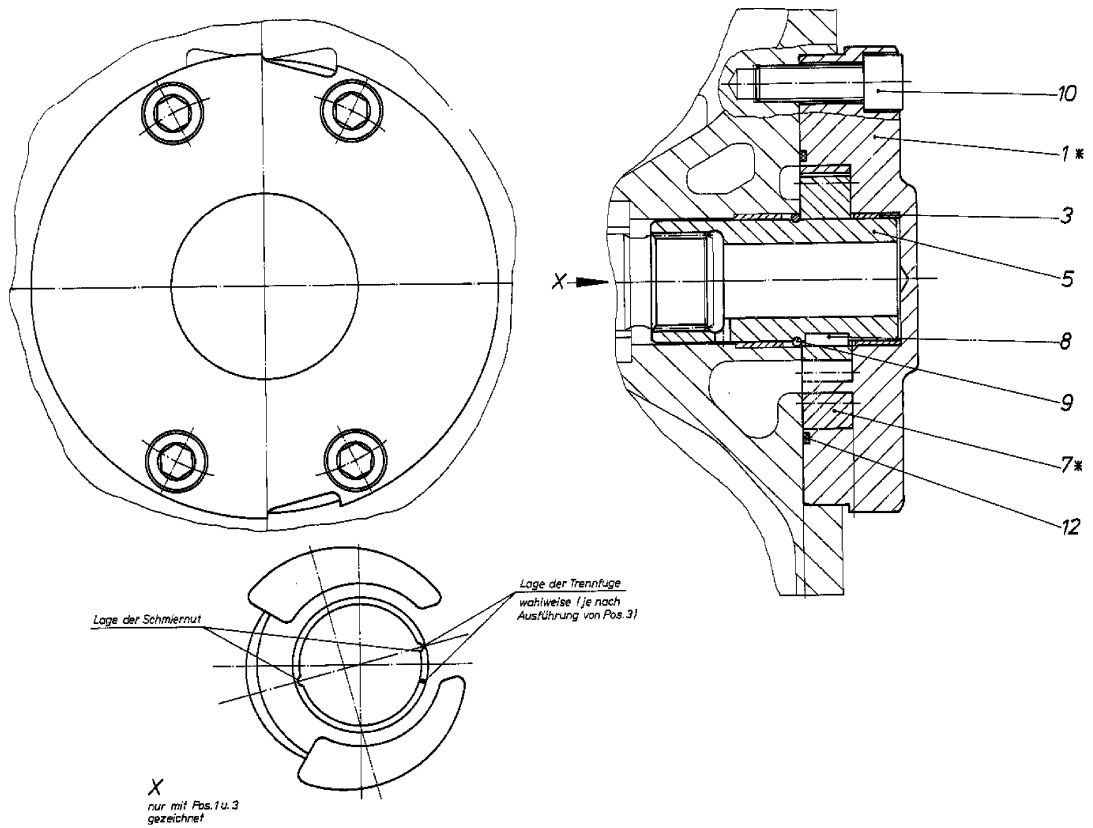
Pos.	Part No.	Designation	Quantity	
1	R902077818	PUMP COVER	1 ST	
3	R909449136	BEARING BUSHING	1 ST	
5	R909650371	STUB SHAFT	1 ST	
7	R902006258	WHEEL SET	1 ST	
8	R902025649	SHAFT KEY	1 ST	
9	R909156930	SNAP RING	1 ST	
10	R909083089	SOCKET-HEAD SCREW	4 ST	
12	R909083825	O-RING	1 ST	D

Spare parts list

Product Unit  
Axial Piston Units

Part No.: R902077765  
Designation: INTERNAL GEAR PUMP

Drawing no.: R909723615



## Spare parts list

Product Unit  
Axial Piston Units

Part No.: R902077789  
Designation: WEAR PLATE COMPLETE

Drawing no.: R902013125

Pos.	Part No.	Designation	Quantity	
1	R902077790	WEAR PLATE	1 ST	
3	R909083825	O-RING	1 ST	D

## Spare parts list

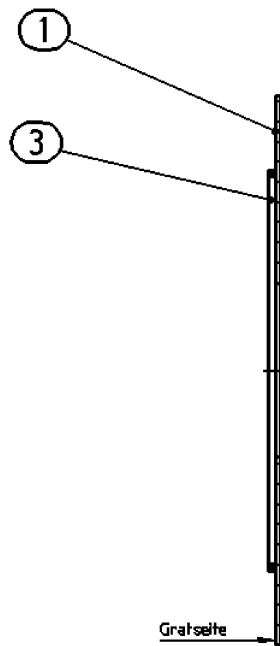
Part No.: R902077789

Designation: WEAR PLATE COMPLETE

Product Unit

Axial Piston Units

Drawing no.: R902013125



## Spare parts list

Product Unit

Axial Piston Units

Part No.: R902033508

Designation: 4/3-WAY DIRECTIONAL VALVE

Drawing no.: R902033509

Pos.	Part No.	Designation	Quantity	
2	R902014778	VALVE HOUSING WITH ACCESSORIES	1 ST	L
40	R909610437	CONTROL SOLENOID WITH SCREWS	1 ST	L
41	R902601843	3/2 DIRECTIONAL PISTON VALVE	1 ST	L



## Spare parts list

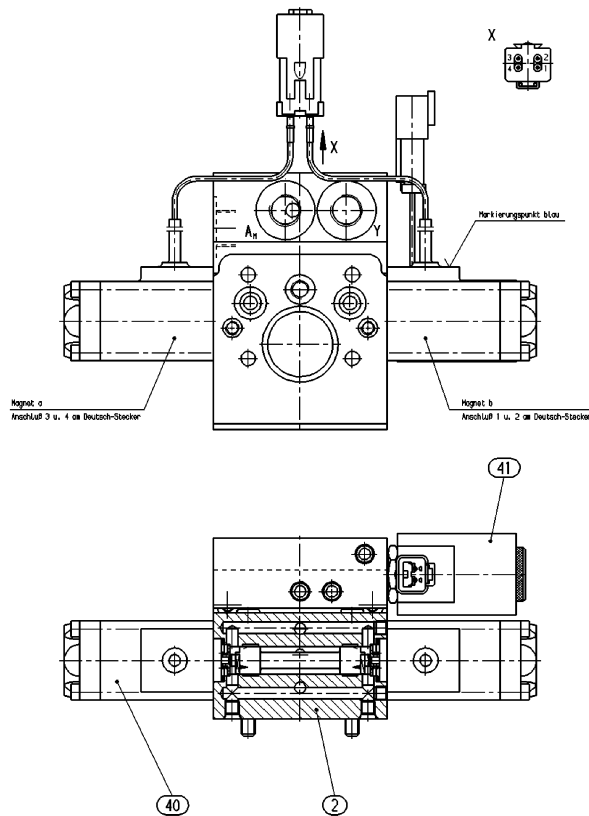
Part No.: R902033508

Designation: 4/3-WAY DIRECTIONAL VALVE

Product Unit

Axial Piston Units

Drawing no.: R902033509



Spare parts list

Product Unit  
Axial Piston Units

Part No.: R902014778  
Designation: VALVE HOUSING WITH ACCESSORIES

Drawing no.: R902026860

Pos.	Part No.	Designation	Quantity	
1	R902026792	VALVE HOUSING	1 ST	
2	R902009009	CONTROL PISTON	1 ST	
3	R909400503	SPRING COLLAR	2 ST	
4	R909071362	PRESSURE SPRING	2 ST	D
5	R902028049	HOUSING	1 ST	
18	R902600503	THREADED PIN	1 ST	D
19	R909085700	SOCKET-HEAD SCREW	2 ST	D
20	R909083028	SOCKET-HEAD SCREW	2 ST	
21	R909083187	SOCKET-HEAD SCREW	2 ST	D
22	R902600705	PLUG	4 ST	
23	R909831318	DOUBLE BREAK-OFF PIN	3 ST	D
24	R902600641	O-RING	1 ST	D
27	R909083734	O-RING	2 ST	D
28	R909086332	O-RING	3 ST	D
29	R909085709	O-RING	3 ST	D
30	R909151979	LOCKING SCREW	2 ST	D

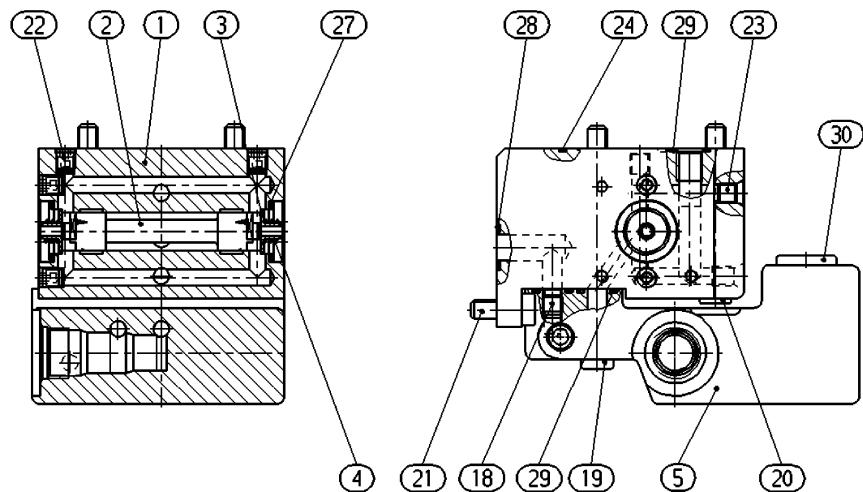
## Spare parts list

Product Unit  
Axial Piston Units

Part No.: R902014778

Designation: VALVE HOUSING WITH ACCESSORIES

Drawing no.: R902026860



## Spare parts list

Product Unit  
Axial Piston Units

Part No.: R909610437

Designation: CONTROL SOLENOID WITH SCREWS

Drawing no.: R909732692

Pos.	Part No.	Designation	Quantity
1	R909831970	SOLENOID	1 ST
2	R909157715	SOCKET-HEAD SCREW	8 ST

## Spare parts list

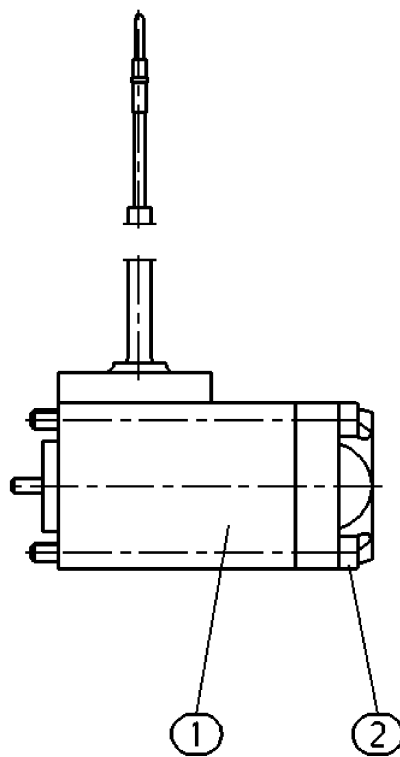
Part No.: R909610437

Designation: CONTROL SOLENOID WITH SCREWS

Product Unit

Axial Piston Units

Drawing no.: R909732692



## Spare parts list

Product Unit  
Axial Piston Units

Part No.: R902601843

Designation: 3/2 DIRECTIONAL PISTON VALVE

Pos.	Part No.	Designation	Quantity
1	R902602914	SEAL KIT	1 ST
2	R902603255	RETAINING NUT	1 ST
3	R902603259	SOLENOID COIL	1 ST

## Spare parts list

Product Unit

Axial Piston Units

Part No.: R909414719

Designation: CONTROL CARTRIDGE

Pos.	Part No.	Designation	Quantity	
1	R902000535	CONTROL CARTRIDGE W/O ORIFICE	1 ST	L
5	R909446273	ORIFICE	1 ST	L

Spare parts list

Product Unit  
Axial Piston Units

Part No.: R902000535  
Designation: CONTROL CARTRIDGE W/O ORIFICE

Drawing no.: R909725918

Pos.	Part No.	Designation	Quantity	
1	R909414721	CONTROL SCREW	1 ST	
2	R902037075	DIFFERENTIAL PISTON	1 ST	
3	R909922152	CONTROLLER PIPE	1 ST	
8	R909421327	WASHER	1 ST	
10	R909414047	SPRING COLLAR	2 ST	
12	R909408682	PRESSURE SPRING	1 ST	
14	R902037910	THREADED PIN	1 ST	
16	R909650154	RING	1 ST	
26	R909156476	CIRCLIP	1 ST	
27	R909086731	O-RING	1 ST	D
28	R909152707	SEAL LOCK NUT	1 ST	D
33	R909156498	SEEGER-V-RING	1 ST	
34	R909153847	SEEGER-V-RING	1 ST	
41	R909157287	HEXAGON NUT	1 ST	



Spare parts list

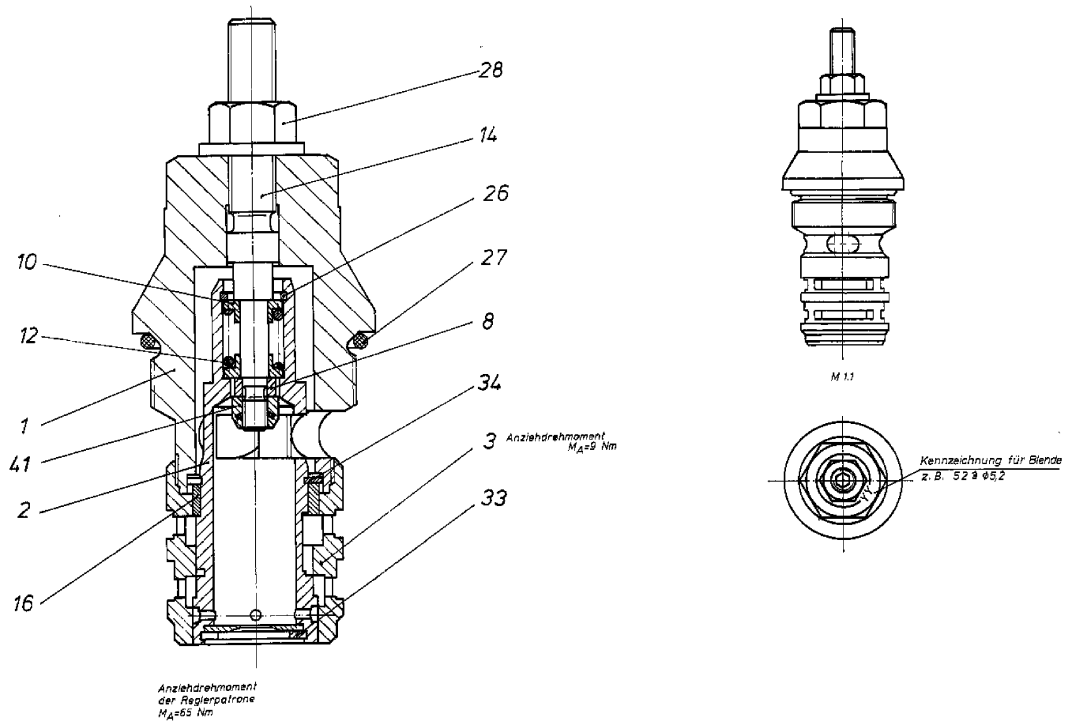
Part No.: R902000535

Designation: CONTROL CARTRIDGE W/O ORIFICE

Product Unit

Axial Piston Units

Drawing no.: R909725918



**Spare parts list**

Product Unit

Axial Piston Units

Part No.: R909446273

Designation: ORIFICE

Pos.	Part No.	Designation	Quantity
25	R902005292	ORIFICE	1 ST
26	R902005293	ORIFICE	1 ST
27	R902005294	ORIFICE	1 ST
28	R902005295	ORIFICE	1 ST
29	R902005296	ORIFICE	1 ST
30	R909412539	ORIFICE	1 ST
31	R909651699	ORIFICE	1 ST
32	R909651700	ORIFICE	1 ST
33	R909651701	ORIFICE	1 ST
34	R909651702	ORIFICE	1 ST
35	R909412538	ORIFICE	1 ST
36	R909439551	ORIFICE	1 ST
37	R909439552	ORIFICE	1 ST
38	R909439553	ORIFICE	1 ST
39	R909439554	ORIFICE	1 ST
40	R909411968	ORIFICE	1 ST
41	R909439555	ORIFICE	1 ST
42	R909426976	ORIFICE	1 ST
43	R909431432	ORIFICE	1 ST
44	R909431431	ORIFICE	1 ST
45	R909405865	ORIFICE	1 ST
46	R909435954	ORIFICE	1 ST
47	R909430801	ORIFICE	1 ST
48	R902004601	ORIFICE	1 ST
49	R909405866	ORIFICE	1 ST
50	R909439556	ORIFICE	1 ST
51	R909404716	ORIFICE	1 ST
52	R909439557	ORIFICE	1 ST
53	R909405867	ORIFICE	1 ST
54	R909439540	ORIFICE	1 ST
55	R909411743	ORIFICE	1 ST
56	R909444087	ORIFICE	1 ST
57	R909439558	ORIFICE	1 ST
58	R909418192	ORIFICE	1 ST
59	R909436697	ORIFICE	1 ST
60	R909408028	ORIFICE	1 ST
61	R909439559	ORIFICE	1 ST

**Spare parts list**

Product Unit

Axial Piston Units

Part No.: R909446273

Designation: ORIFICE

62	R909414475	ORIFICE	1 ST
63	R909435948	ORIFICE	1 ST
64	R909418666	ORIFICE	1 ST
65	R909413532	ORIFICE	1 ST
66	R909405989	ORIFICE	1 ST
67	R909404717	ORIFICE	1 ST
68	R909431899	ORIFICE	1 ST
69	R909432434	ORIFICE	1 ST
70	R909400544	ORIFICE	1 ST
71	R909401641	ORIFICE	1 ST
72	R909414233	ORIFICE	1 ST
73	R909420360	ORIFICE	1 ST
74	R909439560	ORIFICE	1 ST
75	R909412980	ORIFICE	1 ST
76	R909439561	ORIFICE	1 ST
77	R909410444	ORIFICE	1 ST
78	R909418448	ORIFICE	1 ST
79	R909408029	ORIFICE	1 ST
80	R909426448	ORIFICE	1 ST
81	R909439562	ORIFICE	1 ST
82	R909401638	ORIFICE	1 ST
83	R909408013	ORIFICE	1 ST
84	R909408030	ORIFICE	1 ST
85	R909410445	ORIFICE	1 ST
86	R909439563	ORIFICE	1 ST
87	R909417842	ORIFICE	1 ST
88	R909439564	ORIFICE	1 ST
89	R909439565	ORIFICE	1 ST
90	R909410446	ORIFICE	1 ST
95	R909420285	ORIFICE	1 ST

## Spare parts list

Product Unit

Axial Piston Units

Part No.: R902014733

Designation: HYDRAULIC LINE

Pos.	Part No.	Designation	Quantity
2	R902014761	PIPE	1 ST
3	R909083310	FITTING	1 ST
4	R909086819	FITTING	1 ST