

## Spare parts list

Product Unit

Axial Piston Units

Part No.: R910979347

Designation: A AA4VSO 250 DR /22R-PKD63N00

Drawing no.: R910937110

Pos.	Part No.	Designation	Quantity	
1	R910933270	G AA4VSO 250 OV /22R-PKD63N00	1 ST	L
2	R910937108	R AA4VS 250 DR /20	1 ST	L

### Safety Notes:

**Service – and repair works have to be carried out by the Bosch Rexroth AG or their repair stations only. We do not grant any warranty for defects due to assembly, maintenance or repair not effected by the Bosch Rexroth AG or their repair stations.**

L = Assembly group    D = Sealing element

Status of version: 7/2006

Page: 1

Date: 13.09.2006

## Spare parts list

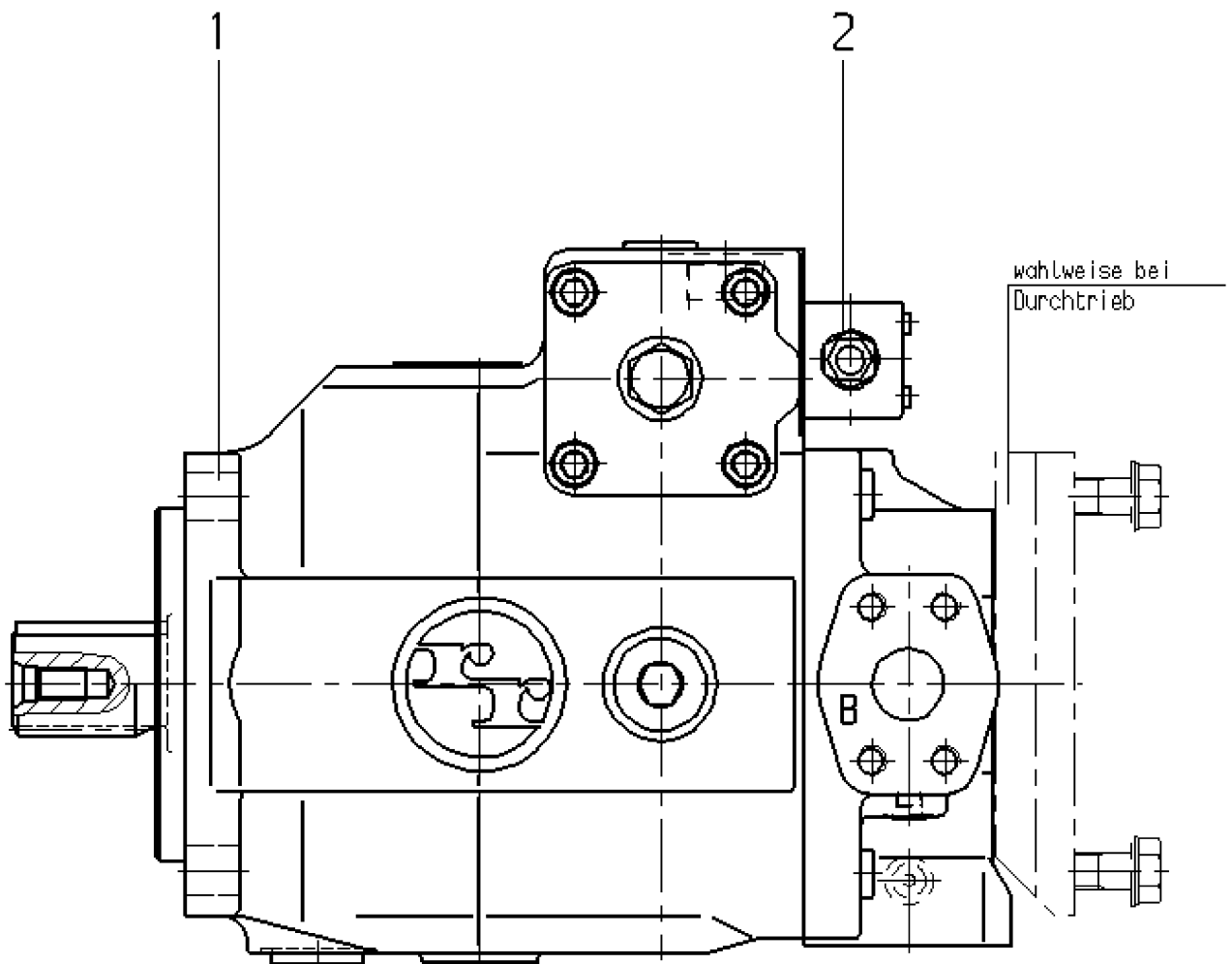
Product Unit

Axial Piston Units

Part No.: R910979347

Designation: A AA4VSO 250 DR /22R-PKD63N00

Drawing no.: R910937110



**Spare parts list**

Product Unit

Axial Piston Units

Part No.: R910933270

Designation: G AA4VSO 250 OV /22R-PKD63N00

Drawing no.: R910932899

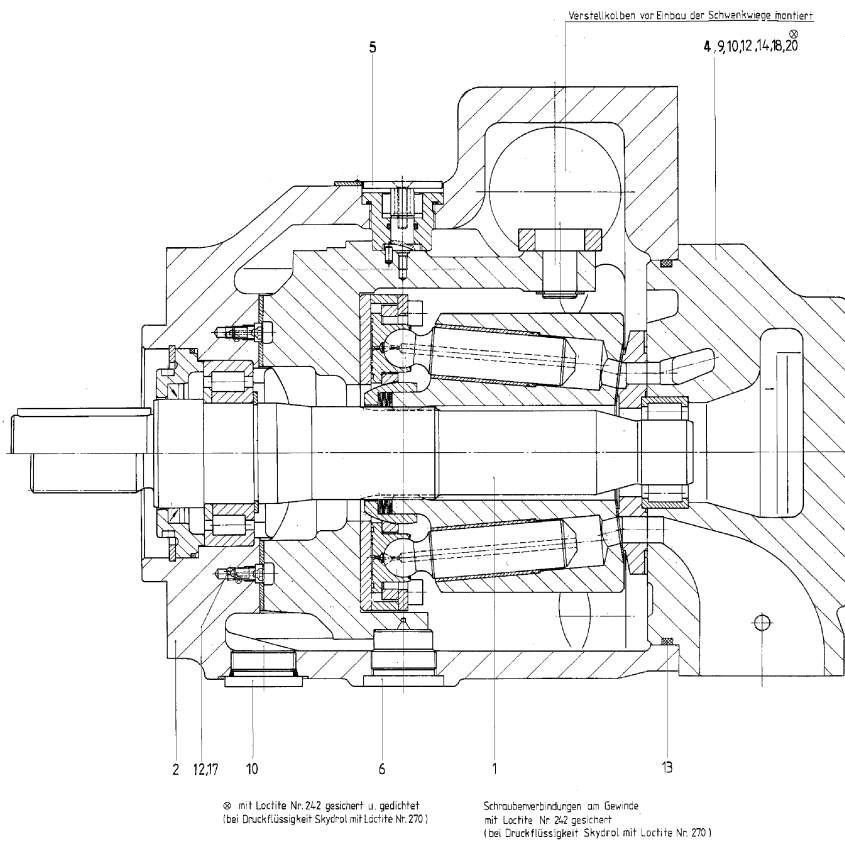
Pos.	Part No.	Designation	Quantity	
1	R910936446	TW AA4VSO 250 /22R-PKDK00	1 ST	L
4	R910932895	PORT PLATE	1 ST	
5	R910909629	ANZEIGEVORRICHTUNG	1 ST	L
6	R910909637	THREADED BOLT	1 ST	L
9	R910477303	ZYL.SCHR.M 20X 50 -10.9 DIN 912 #620NM	4 ST	
10	R910932825	LOCKING SCREW	4 ST	D
12	R910705454	LOCKING SCREW	3 ST	D
13	R910908983	O-RING	1 ST	D
14	R910932601	KANTSIL DKAR00110' 9,19X2,51 N90 B+S	1 ST	D
17	R909831318	DOUBLE BREAK-OFF PIN	2 ST	D
18	R909831320	DOUBLE BREAK-OFF PIN	1 ST	D
20	R910834491	THROTTLE SCREW	1 ST	

Spare parts list

Product Unit  
Axial Piston Units

Part No.: R910933270  
Designation: G AA4VSO 250 OV /22R-PKD63N00

Drawing no.: R910932899



## Spare parts list

Product Unit  
Axial Piston Units

Part No.: R910936446  
Designation: TW AA4VSO 250 /22R-PKDK00

Drawing no.: R910932888

Pos.	Part No.	Designation	Quantity	
1	R902400847	PISTON-SLIPPER PAD	9 ST	
3	R910933060	ZYLINDER MIT BUCHSEN A4VS 250/22	1 ST	
4	R910933034	CONTROL PLATE	1 ST	
5	R902408948	DRIVE SHAFT	1 ST	
6	R910974944	SWASHPLATE	1 ST	
7	R910909319	MITNEHMERZAPFEN A4VS 250	1 ST	
8	R910909564	GLEITSTEIN A4VS 250/355	1 ST	
9	R910968370	RETAINING PLATE	1 ST	
10	R910803059	RUECKZUGKUGEL A4VS 250/10/22	1 ST	
11	R910909327	DISTANZSEGMENT A4VS 250	2 ST	
12	R910909289	SEGMENT	2 ST	
13	R910991248	SEAL FLANGE	1 ST	
14	R910946527	LAGERSCHALE A4VS 250/22	2 ST	
15	R910909343	SLIPPER DISC	1 ST	
16	R910847607	SHIM	1 ST	
17	R909408065	SHIM	1 ST	
18	R909401887	SHIM	1 ST	
19	R910847631	SHIM	1 ST	
23	R910949038	FIXIERSCHRAUBE A4VSO 125-355	1 ST	
24	R910960739	PLAIN ROLLER BEARING	1 ST	
25	R910909424	PLAIN ROLLER BEARING	1 ST	
27	R909403548	TELLERFEDER-SAEULE	1 ST	
28	R902400796	SHIM	1 ST	
29	R910619728	WDR BAB4SL 1,0 70X 90X 7 75 V 595	1 ST	D
30	R910936669	O-RING	1 ST	D
31	R902400743	BACK-UP RING	1 ST	
32	R910187941	RETAINING RING	1 ST	
33	R910991752	RETAINING RING	1 ST	
34	R910189022	SICHERUNGSR. 90X3,0 DIN 472	1 ST	
35	R910602051	CYLINDER PIN	1 ST	D
36	R910932882	FIXIERSCHRAUBE	1 ST	
37	R902650867	Z-SCHR DIN 912-M10X 40-8.8-MK12 #51NM	4 ST	
38	R910966452	SHAFT KEY	1 ST	
39	R910991751	RETAINING RING	1 ST	
40	R910991750	RETAINING RING	1 ST	
41	R910991749	RETAINING RING	1 ST	

## Spare parts list

Part No.: R910936446

Designation: TW AA4VSO 250 /22R-PKDK00

Product Unit

Axial Piston Units

Drawing no.: R910932888

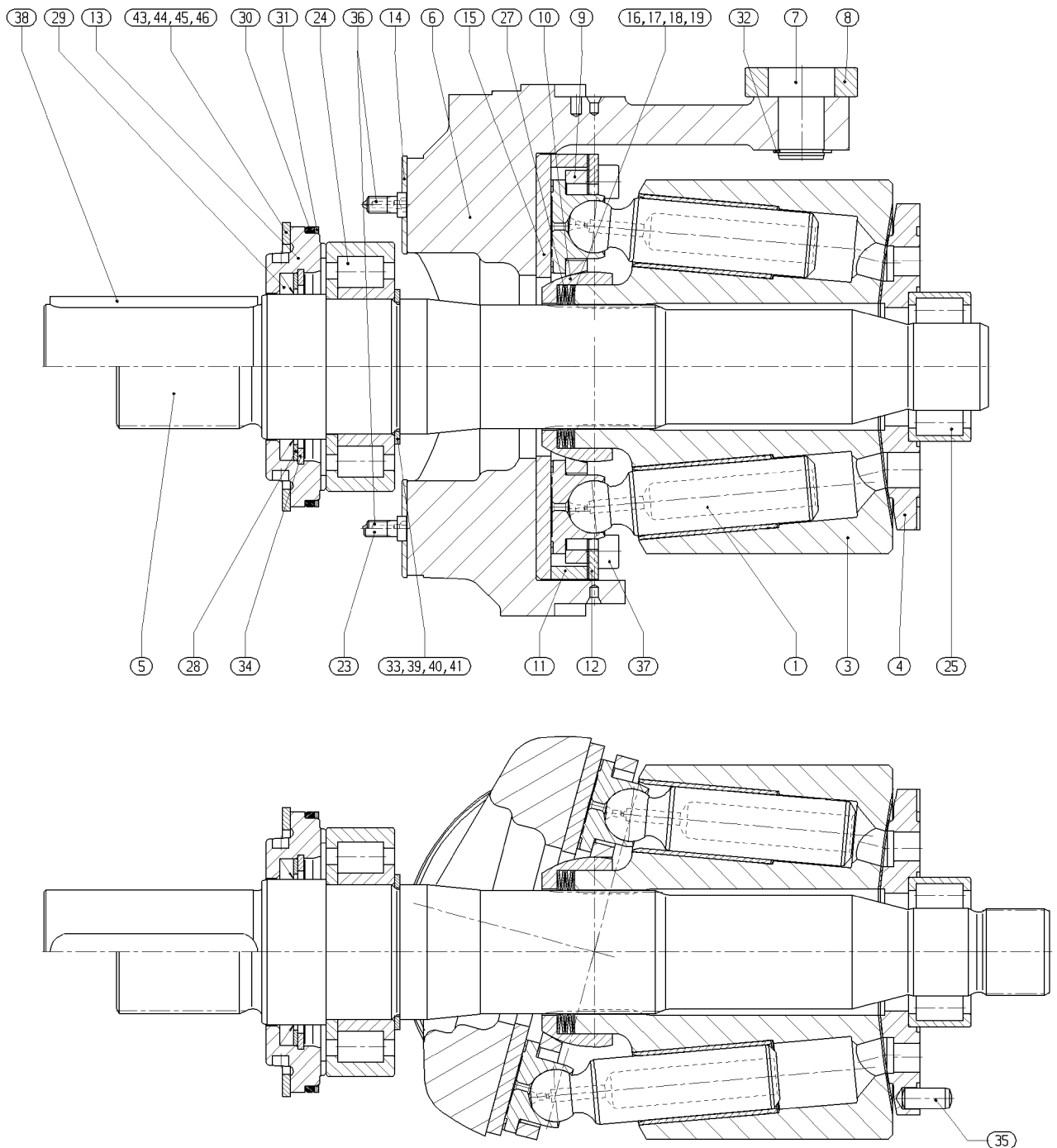
43	R910991291	SICHERUNGSR. 135X3,6	DIN 472	1 ST
44	R910991289	SICHERUNGSR. 135X3,7	DIN 472	1 ST
45	R910991286	SICHERUNGSR. 135X3,8	DIN 472	1 ST
46	R910991284	SICHERUNGSR. 135X3,9	DIN 472	1 ST

Spare parts list

Product Unit  
Axial Piston Units

Part No.: R910936446  
Designation: TW AA4VSO 250 /22R-PKDK00

Drawing no.: R910932888



L = Assembly group    D = Sealing element

Status of version: 7/2006

Page: 7

Date: 13.09.2006

**Spare parts list**Product Unit  
Axial Piston UnitsPart No.: R910909629  
Designation: ANZEIGEVORRICHTUNG

Drawing no.: R910909491

Pos.	Part No.	Designation	Quantity	
1	R910909599	THREADED BOLT	1 ST	
2	R910909556	MITNEHMERZAPFEN A4VS 250/355	1 ST	
3	R910909548	SPACER PIPE	1 ST	
4	R910909513	INDICATOR	1 ST	
5	R910909521	SKALENSCHILD A4VS 250/355	1 ST	
6	R910415286	EOLASTIC-DICHTR.ED M 42/2,0 N R1 1/4 EO	1 ST	D
7	R910908991	QUAD-RING QBAR 4114B-N7004 14,80X 2,62	1 ST	D
8	R910928615	FLAT HEAD SCREW	1 ST	
9	R910101265	ROUND HEAD RIVET	2 ST	
10	R910911771	CYLINDER PIN	1 ST	

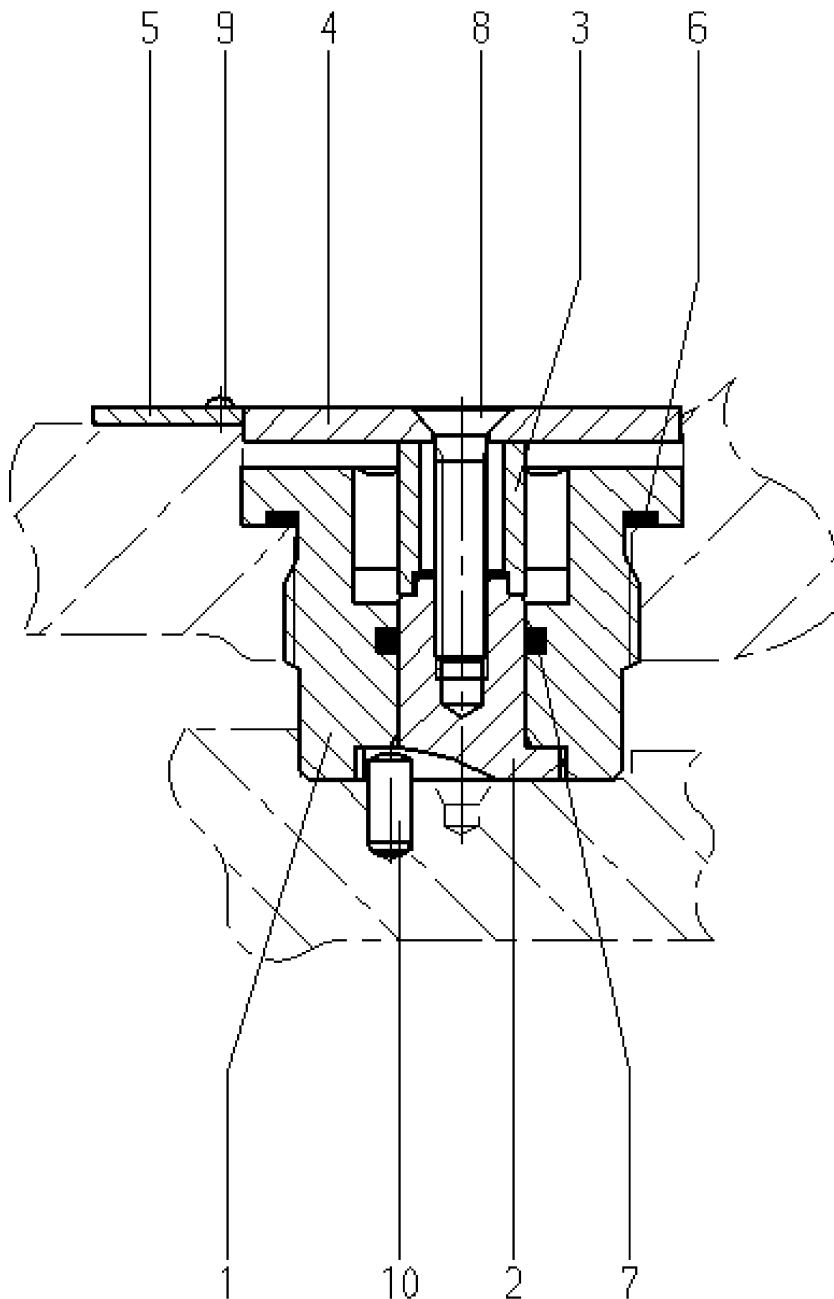


## Spare parts list

Part No.: R910909629  
Designation: ANZEIGEVORRICHTUNG

Product Unit  
Axial Piston Units

Drawing no.: R910909491



L = Assembly group    D = Sealing element

Status of version: 7/2006

Page: 9

Date: 13.09.2006

## Spare parts list

Product Unit  
Axial Piston Units

Part No.: R910909637  
Designation: THREADED BOLT

Drawing no.: R910909505

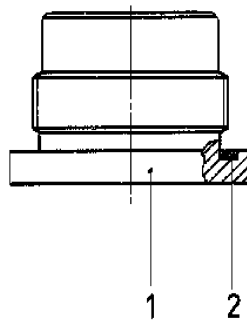
Pos.	Part No.	Designation	Quantity	
1	R910909572	THREADED BOLT	1 ST	
2	R910415286	EOLASTIC-DICHTR.ED M 42/2,0 N R1 1/4 EO	1 ST	D

## Spare parts list

Part No.: R910909637  
Designation: THREADED BOLT

Product Unit  
Axial Piston Units

Drawing no.: R910909505



## Spare parts list

Product Unit  
Axial Piston Units

Part No.: R910937108  
Designation: R AA4VS 250 DR /20

Drawing no.: R910943833

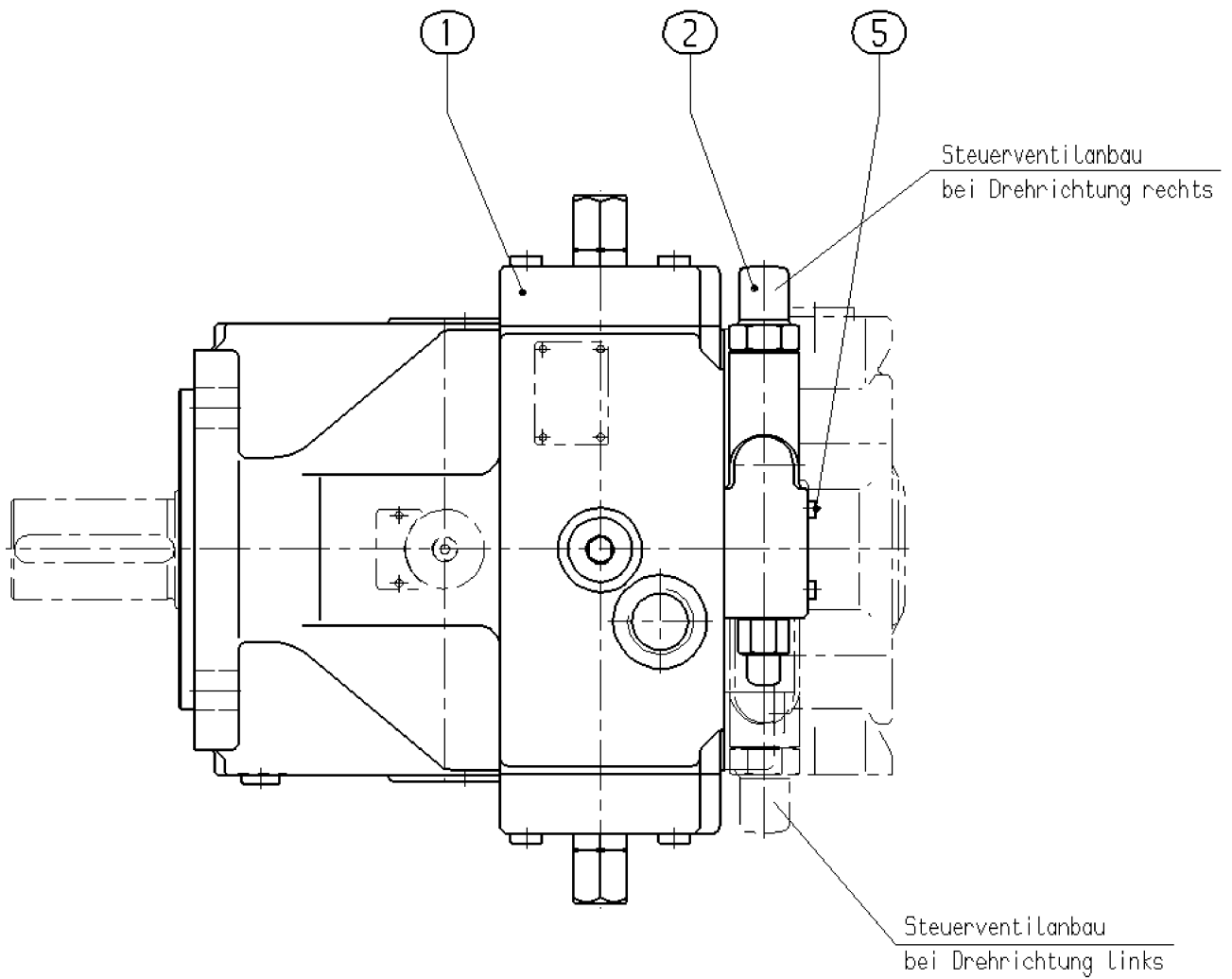
Pos.	Part No.	Designation	Quantity	
1	R910933684	V AA4VS 250 DR /20	1 ST	L
2	R910799734	STEUERVENTIL A4VS DR P	1 ST	L
5	R910785105	SOCKET-HEAD SCREW	4 ST	

## Spare parts list

Part No.: R910937108  
Designation: R AA4VS 250 DR /20

Product Unit  
Axial Piston Units

Drawing no.: R910943833



Spare parts list

Product Unit  
Axial Piston Units

Part No.: R910933684  
Designation: V AA4VS 250 DR /20

Drawing no.: R910941468

Pos.	Part No.	Designation	Quantity	
1	R910945279	PISTON HOUSING	1 ST	
2	R910945395	PISTON HOUSING	1 ST	
3	R902407853	CONTROL PISTON	1 ST	
4	R910943107	SPRING	1 ST	
5	R910933136	PUMP HOUSING	1 ST	
6	R909831320	DOUBLE BREAK-OFF PIN	2 ST	D
7	R910910201	THREADED PIN	1 ST	D
8	R910903328	NUT	2 ST	
9	R910923831	KANTSIL DKAR00114' 15,54X2,51 N90 B+S	2 ST	D
10	R902650323	KANTSIL DKAR00153' 88,57X2,51 N70 B+S	2 ST	D
11	R910941441	THREADED PIN	1 ST	D
12	R910604976	ZYL.SCHR.M 14X 45 -10.9 DIN 912 #205NM	8 ST	
13	R910977045	O-RING	4 ST	D
14	R910903330	CAP NUT	2 ST	
16	R910632562	V-SCHRAUBE N 02.009-M 27X2 P # 90NM	1 ST	D
18	R910153656	GEW.STIFT M 8X 12 -45H DIN 913	1 ST	
19	R910923831	KANTSIL DKAR00114' 15,54X2,51 N90 B+S	2 ST	D
20	R910100587	ORIFICE	1 ST	

## Spare parts list

Product Unit  
Axial Piston Units

Part No.: R910799734  
Designation: STEUERVENTIL A4VS DR P

Drawing no.: R910799742

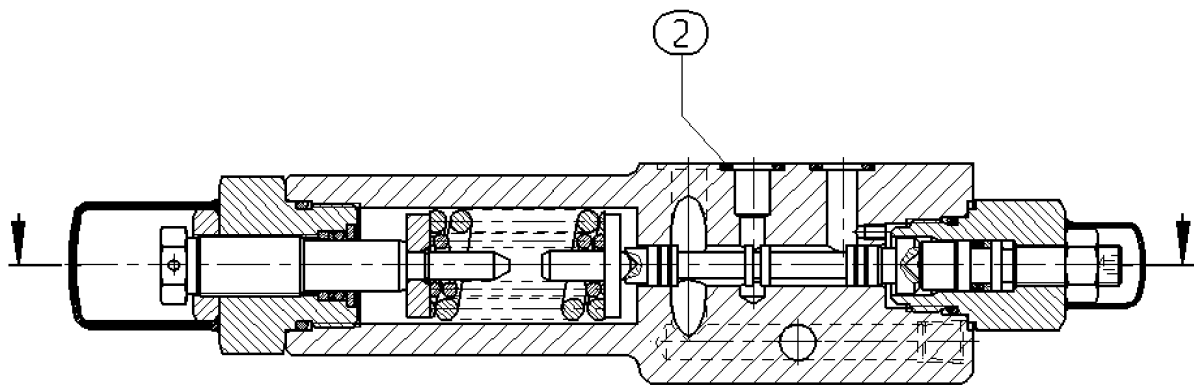
Pos.	Part No.	Designation	Quantity	
1	R910913109	ZVK STEUERV. A4VS DR P	1 ST	
2	R910514543	O-RING	5 ST	D

### Spare parts list

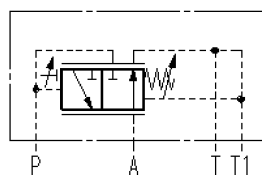
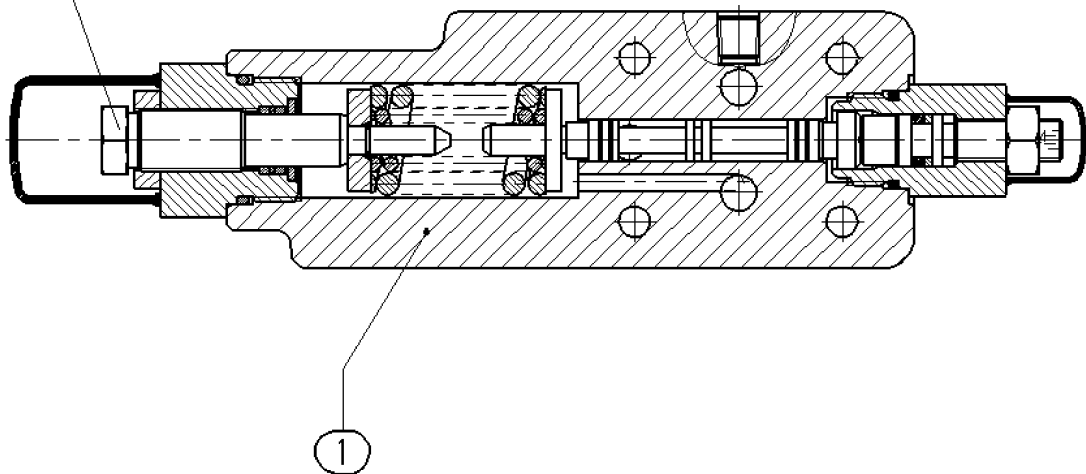
Product Unit  
Axial Piston Units

Part No.: R910799734  
Designation: STEUERVENTIL A4VS DR P

Drawing no.: R910799742



Einstellempfindlichkeit = 43,53 bar/mm



L = Assembly group D = Sealing element

Status of version: 7/2006

Page: 16

Date: 13.09.2006