

**Spare parts list**

Product Unit

Axial Piston Units

Part No.: R902405422

Designation: A A7V-SL 1000 HD 51LZHOD -SO

Drawing no.: R910803781

Pos.	Part No.	Designation	Quantity	
1	R910942781	TW A7V-SL1000/L5ZX	1 ST	L
2	R910988216	V A7V 1000 HD+D -S	1 ST	L
4	R910589896	EINSTELLTEIL ANSCHLAG A7V	1 ST	L
5	R910803334	EINSTELLTEIL A7V 1000 -SO	1 ST	L
6	R910802069	HOUSING	1 ST	
10	R910632619	V-SCHRAUBE N 02.009-M 42X2 P #240NM	1 ST	D
12	R910415235	V-SCHRAUBE N 02.009-M 18X1,5 -P # 40NM	2 ST	D
13	R902601957	POLLUTION SWITCH	1 ST	
14	R910902855	RED.VERSCHR. M 42X2 -M 22X1,5	1 ST	
15	R910744689	EOLASTIC-DICHTR.ED M 42X2,0 FPEO	1 ST	D

## Spare parts list

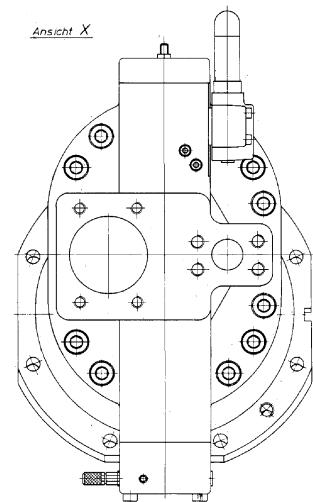
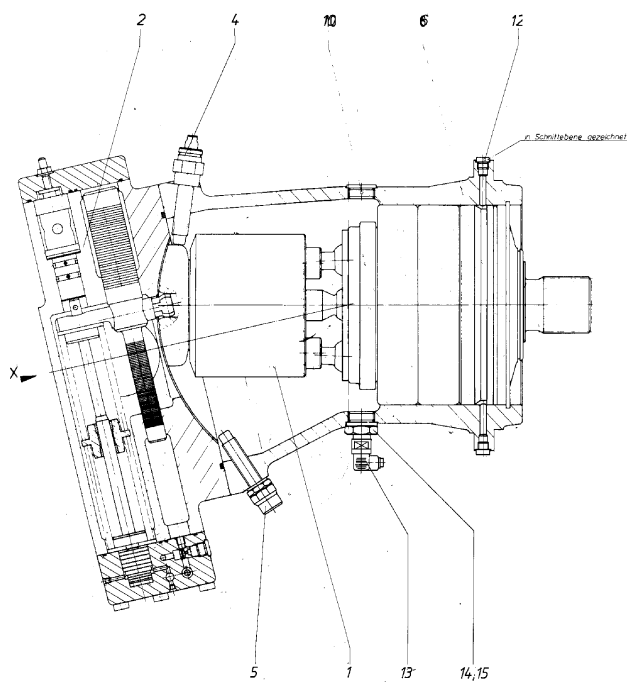
Part No.: R902405422

Designation: A A7V-SL 1000 HD 51LZHOD -SO

Product Unit

Axial Piston Units

Drawing no.: R910803781



Spare parts list

Product Unit  
Axial Piston Units

Part No.: R910942781  
Designation: TW A7V-SL1000/L5ZX

Drawing no.: R910942792

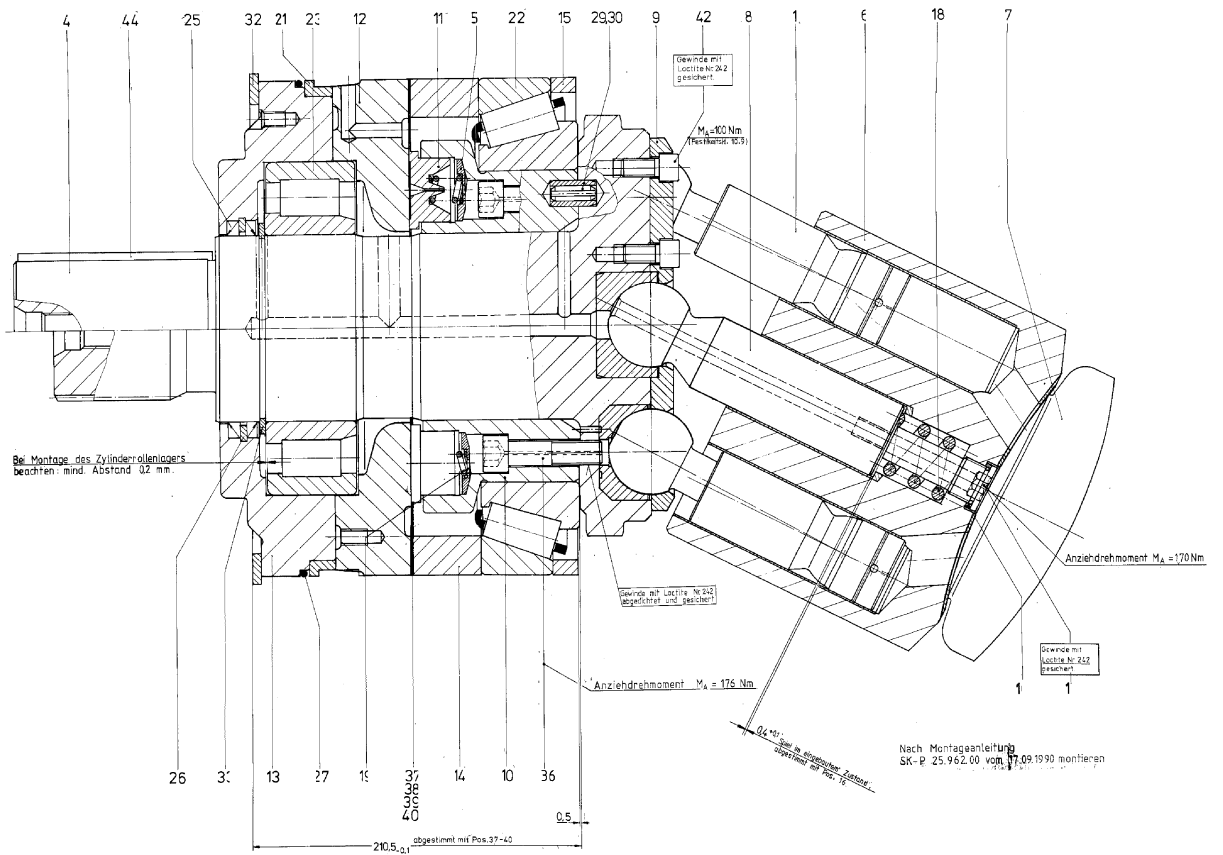
Pos.	Part No.	Designation	Quantity	
1	R910994577	PISTON	7 ST	L
4	R902414323	TRIEBFLANSCH Z BG50/BR5 SL KOMPLETT	1 ST	L
5	R910928715	SPRING COLLAR	7 ST	
6	R910638048	CYLINDER	1 ST	
7	R910942789	STEUERLINSE A7V 1000/5.1L	1 ST	L
8	R910795097	DRUCKZAPFEN	1 ST	
9	R910935251	RETAINING PLATE	1 ST	
10	R910741892	GLEITSCHUHTRAEGER	1 ST	
11	R910741973	GLEITSCHUH BG50/BR6 SL	7 ST	
12	R910742651	SLIPPER DISC	1 ST	
13	R910906659	DICHTFLANSCH SL-A7V	1 ST	
14	R910741965	SPACER RING	1 ST	
15	R910741949	RING	1 ST	
16	R910941875	ADJUSTMENT RING	1 ST	
17	R910941832	SPACER BOLT	1 ST	
18	R910678759	SPRING	1 ST	
19	R910715247	SPRING	7 ST	
21	R910905445	RING	1 ST	
22	R910742112	KEGELROLLENL. 93787/J93129A	1 ST	L
23	R910742139	PLAIN ROLLER BEARING	1 ST	
25	R910702684	WDR BAB SL 1,0 120X140X 7,5 75 V 595	2 ST	D
26	R910188697	SICHERUNGSR. 140X4,0 DIN 472	1 ST	
27	R910187364	O-RING	1 ST	D
29	R910107018	SPANNHUELSE 10X 28 DIN 1481	1 ST	
30	R910921207	SPANNHUELSE 16X 28 DIN 1481	1 ST	
32	R910638196	RETAINING RING	1 ST	
33	R910742147	SICHERUNGSR. 120X4,0 DIN 471	1 ST	
36	R910928716	SCREW	7 ST	
37	R910638242	PASSSCHEIBE PS 270 X320X1,0TOLERANZEN D12	1 ST	
38	R910638234	PASSSCHEIBE PS 270 X320X0,5TOLERANZEN D12	1 ST	
39	R910638226	PASSSCHEIBE PS 270 X320X0,2TOLERANZEN D12	2 ST	
42	R910194484	ZYL.SCHR.M 12X 25 -10.9 DIN 912 #130NM	14 ST	

## Spare parts list

Part No.: R910942781  
Designation: TW A7V-SL1000/L5ZX

Product Unit  
Axial Piston Units

Drawing no.: R910942792



## Spare parts list

Product Unit

Axial Piston Units

Part No.: R910994577

Designation: PISTON

Pos.	Part No.	Designation	Quantity
1	R910993663	PISTON	1 ST
2	R910637866	PISTON ROD	1 ST

**Spare parts list**

Product Unit

Axial Piston Units

Part No.: R902414323

Designation: TRIEBFLANSCH Z BG50/BR5 SL KOMPLETT

Pos.	Part No.	Designation	Quantity
1	R902414324	TRIEBFLANSCH Z BG50/BR5 SL	1 ST
2	R910917609	KALOTTENEINSATZ-SL BG50/BR5 SL	7 ST
3	R910788767	MITTELKALOTTENEINSATZ BG50/BR6	1 ST

## Spare parts list

Product Unit  
Axial Piston Units

Part No.: R910942789  
Designation: STEUERLINSE A7V 1000/5.1L

Drawing no.: R910942790

Pos.	Part No.	Designation	Quantity	
1	R910804008	STEUERLINSE A7V1000/5.1L	1 ST	
2	R910836761	ORIFICE	2 ST	
3	R909831318	DOUBLE BREAK-OFF PIN	2 ST	D

## Spare parts list

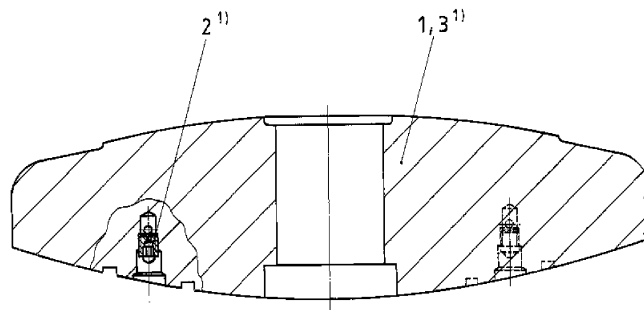
Part No.: R910942789

Designation: STEUERLINSE A7V 1000/5.1L

Product Unit

Axial Piston Units

Drawing no.: R910942790



<sup>1)</sup> mit Loctite Nr. 242 gesichert



## Spare parts list

Product Unit

Axial Piston Units

Part No.: R910742112

Designation: KEGELROLLENL. 93787/J93129A

Pos.	Part No.	Designation	Quantity
1	R910904187	INNENTEIL 93787 TIMKEN	1 ST
2	R910904188	AUSSENRING J93129A TIMKEN	1 ST

Spare parts list

Product Unit  
Axial Piston Units

Part No.: R910988216  
Designation: V A7V 1000 HD+D -S

Drawing no.: R910988217

Pos.	Part No.	Designation	Quantity	
1	R910803270	DECKEL A7V 1000 HD-S 10-45 BAR	1 ST	L
2	R910848832	STEUERTEIL A7V 1000 HD	1 ST	L
4	R910805556	DECKEL A7V 1000	1 ST	L
5	R910850454	PORT PLATE	1 ST	
6	R910544752	O-RING	1 ST	D
7	R910841803	STELLKOLBEN	1 ST	
8	R902414363	STELLZAPFEN	1 ST	
9	R910590304	GUIDE BAR	1 ST	
10	R910596981	SPRING	2 ST	
11	R910590282	SPRING COLLAR	1 ST	
12	R910590274	SPRING COLLAR	1 ST	
13	R910590207	RING	1 ST	
16	R910843571	THROTTLE SCREW	1 ST	
17	R910825654	THROTTLE SCREW	1 ST	
19	R910596949	FEDERFUEHRUNG A7V HD	1 ST	
20	R910937324	SEQUENCE VALVE	1 ST	D
25	R910414751	ZYL.SCHR.M 24X 80 -10.9 DIN 912 #1060NM	12 ST	
26	R910100846	LOCK WASHER	12 ST	
27	R910295396	ZYL.SCHR.M 10X 70 -10.9 DIN 912 #75NM	4 ST	
28	R910100765	LOCK WASHER	4 ST	
29	R910514179	CYLINDER PIN	2 ST	
30	R910672009	CLAMPING PIN	1 ST	
31	R910807079	THREADED PIN	1 ST	
37	R910531286	LOCKING SCREW	7 ST	D
40	R910531308	V-SCHRAUBE N 02.009-M 14X1,5 -P # 30NM	2 ST	D
41	R910533998	V-SCHRAUBE N 02.009-M 22X1,5 P # 60NM	1 ST	D
43	R910415235	V-SCHRAUBE N 02.009-M 18X1,5 -P # 40NM	1 ST	D
45	R910585017	V-SCHRAUBE N 02.009-M 8X1 P # 5NM	1 ST	D
64	R910632511	V-SCHRAUBE N 02.009-M 16X1,5 P # 35NM	1 ST	D

Spare parts list

Product Unit  
Axial Piston Units

Part No.: R910803270  
Designation: DECKEL A7V 1000 HD-S 10-45 BAR

Drawing no.: R910803272

Pos.	Part No.	Designation	Quantity	
1	R910803271	DECKEL 10-45 BAR	1 ST	
2	R910847143	CONTROL PISTON	1 ST	
4	R910581224	SPRING	1 ST	
11	R910744522	EOLASTIC-DICHTR.ED M 12X1,5 NBEO	1 ST	D
12	R910802016	RED.VERSCHR. M 12X1,5-M 10X1	1 ST	
13	R910726761	SCHR.KUPPL. 2103-01-33.10 'FPM' HYDROT.	1 ST	
14	R910513016	ZYL.SCHR.M 16X100 -10.9 DIN 912 #310NM	6 ST	
15	R910100803	LOCK WASHER	6 ST	
17	R910531286	LOCKING SCREW	1 ST	D
18	R909831318	DOUBLE BREAK-OFF PIN	2 ST	D
19	R910514985	O-RING	2 ST	D
20	R910672017	O-RING	1 ST	D
21	R910977050	O-RING	1 ST	D
22	R910533998	V-SCHRAUBE N 02.009-M 22X1,5 P # 60NM	2 ST	D
23	R910805513	CUT-OFF VALVE	1 ST	L
24	R910805521	CUT-OFF VALVE	1 ST	L

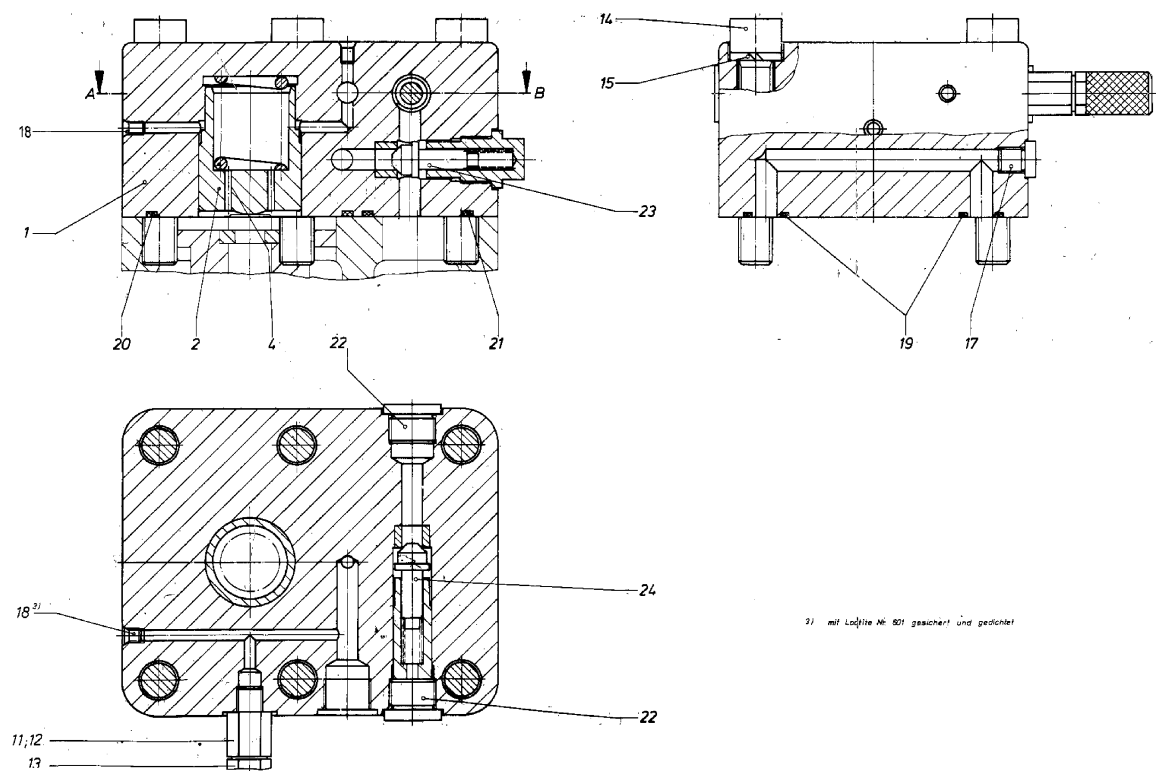
Spare parts list

Product Unit  
Axial Piston Units

Part No.: R910803270

Designation: DECKEL A7V 1000 HD-S 10-45 BAR

Drawing no.: R910803272



## Spare parts list

Product Unit  
Axial Piston Units

Part No.: R910805513  
Designation: CUT-OFF VALVE

Drawing no.: R910805459

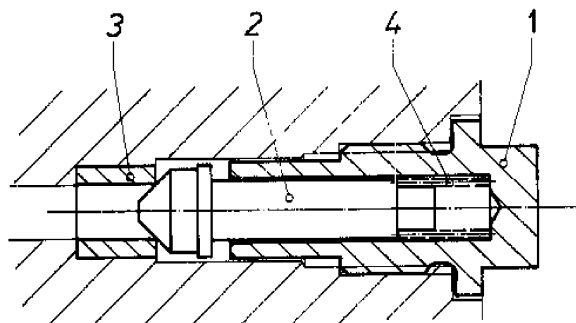
Pos.	Part No.	Designation	Quantity
50	R910804029	VALVE POPPET	1 ST
50	R910804045	VALVE BUSHING	1 ST
50	R910596302	SPRING	1 ST
50	R910804037	VERSCHLUSS-SCHRAUBE	1 ST

## Spare parts list

Part No.: R910805513  
Designation: CUT-OFF VALVE

Product Unit  
Axial Piston Units

Drawing no.: R910805459



L = Assembly group    D = Sealing element

Status of version: 11/2004

Page: 14

Date: 13.04.2005

## Spare parts list

Product Unit  
Axial Piston Units

Part No.: R910805521  
Designation: CUT-OFF VALVE

Drawing no.: R910805467

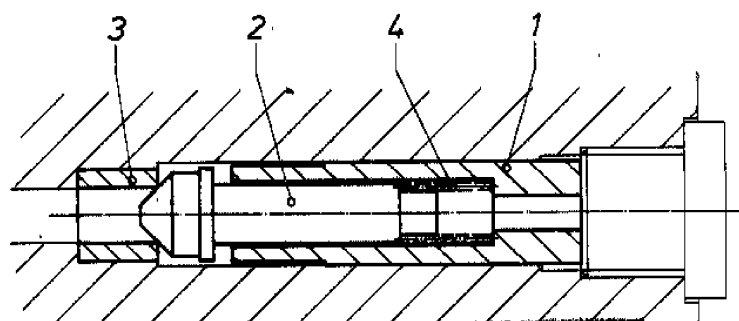
Pos.	Part No.	Designation	Quantity
50	R910804029	VALVE POPPET	1 ST
50	R910804045	VALVE BUSHING	1 ST
50	R910596302	SPRING	1 ST
50	R910805491	GUIDE BUSHING	1 ST

## Spare parts list

Part No.: R910805521  
Designation: CUT-OFF VALVE

Product Unit  
Axial Piston Units

Drawing no.: R910805467



L = Assembly group    D = Sealing element

Status of version: 11/2004

Page: 16

Date: 13.04.2005



**Spare parts list**

Product Unit

Axial Piston Units

Part No.: R910848832

Designation: STEUERTEIL A7V 1000 HD

Drawing no.: R910589993

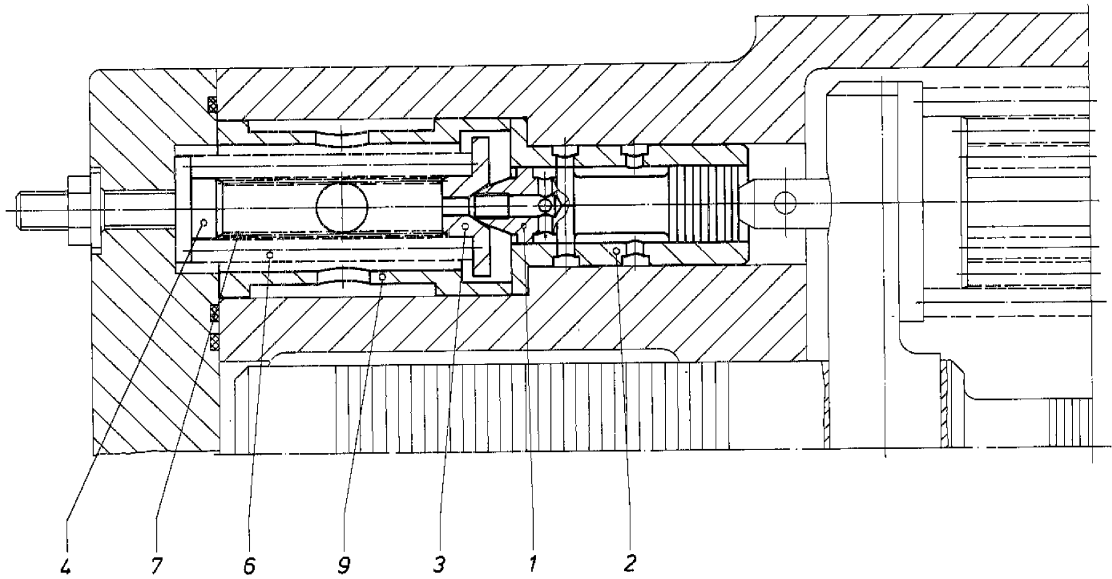
Pos.	Part No.	Designation	Quantity
1	R910825646	CONTROL PISTON	1 ST
2	R910590258	STUEBERBUECHSE	1 ST
3	R910590215	SPRING COLLAR	1 ST
4	R910590193	SPRING COLLAR	1 ST
6	R910590134	SPRING	1 ST
7	R910591122	SPRING	1 ST
9	R910590266	BUSH	1 ST

## Spare parts list

Product Unit  
Axial Piston Units

Part No.: R910848832  
Designation: STEUERTEIL A7V 1000 HD

Drawing no.: R910589993



**Spare parts list**

Product Unit

Axial Piston Units

Part No.: R910805556

Designation: DECKEL A7V 1000

Drawing no.: R910589985

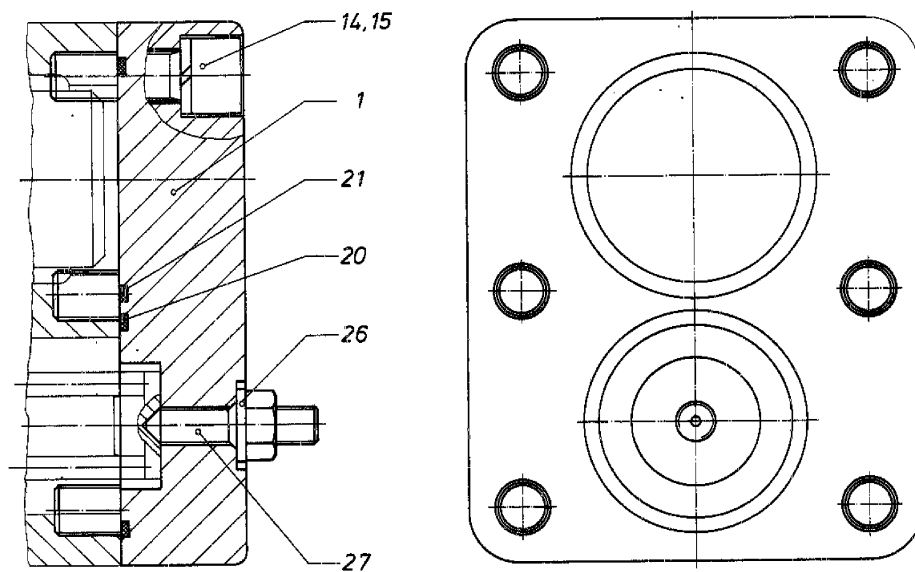
Pos.	Part No.	Designation	Quantity	
50	R910805424	COVER	1 ST	
61	R910100838	LOCK WASHER	6 ST	
61	R910544744	ZYL.SCHR.M 20X 60 -10.9 DIN 912 #620NM	6 ST	
62	R910544736	O-RING	1 ST	D
62	R910339504	SEAL-LOCK-M. M12 BOELL0120230	1 ST	D
62	R910945128	GEW.STIFT M 12X 70 -10.9	1 ST	
62	R910523267	O-RING	1 ST	D

## Spare parts list

Part No.: R910805556  
Designation: DECKEL A7V 1000

Product Unit  
Axial Piston Units

Drawing no.: R910589985



## Spare parts list

Product Unit  
Axial Piston Units

Part No.: R910589896  
Designation: EINSTELLTEIL ANSCHLAG A7V

Drawing no.: R910587907

Pos.	Part No.	Designation	Quantity	
50	R910590363	NUT	1 ST	
50	R910590355	STOP PIN	1 ST	
60	R910671967	O-RING	1 ST	D
60	R910671959	O-RING	1 ST	D

## Spare parts list

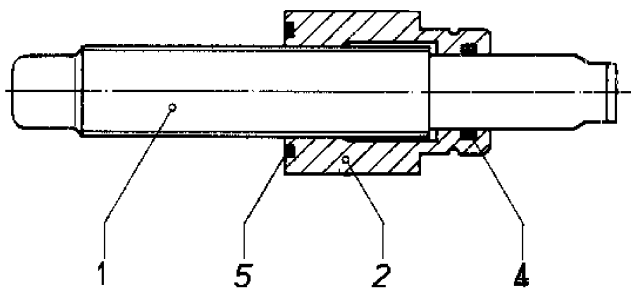
Part No.: R910589896

Designation: EINSTELLTEIL ANSCHLAG A7V

Product Unit

Axial Piston Units

Drawing no.: R910587907



L = Assembly group    D = Sealing element

Status of version: 11/2004

Page: 22

Date: 13.04.2005

## Spare parts list

Product Unit  
Axial Piston Units

Part No.: R910803334  
Designation: EINSTELLTEIL A7V 1000 -SO

Drawing no.: R910803335

Pos.	Part No.	Designation	Quantity	
1	R910803336	STOP PIN	1 ST	L
2	R910803337	NUT	1 ST	
3	R910803338	HYDRAULIC/PNEUMATIC PILOT UNIT	1 ST	
5	R910971035	O-RING	2 ST	D

## Spare parts list

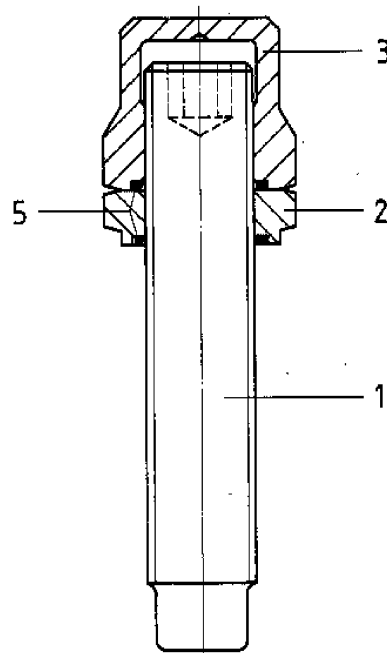
Part No.: R910803334

Designation: EINSTELLTEIL A7V 1000 -SO

Product Unit

Axial Piston Units

Drawing no.: R910803335





## Spare parts list

Product Unit  
Axial Piston Units

Part No.: R910803336  
Designation: STOP PIN

Pos.	Part No.	Designation	Quantity
1	R910590355	STOP PIN	1 ST