



Hydraulic Remote Pressure Compensator

PVB-5/6--CG-10/20**

PVB-45A-CAG-10/-20

PVB-10/15--CG-10/-20**


PVB-20/29--CG-10/-20**

Hydraulic Remote Pressure Compensator

PVB-5/6-**-CG-10/-20
PVB-45A-CAG-10/-20

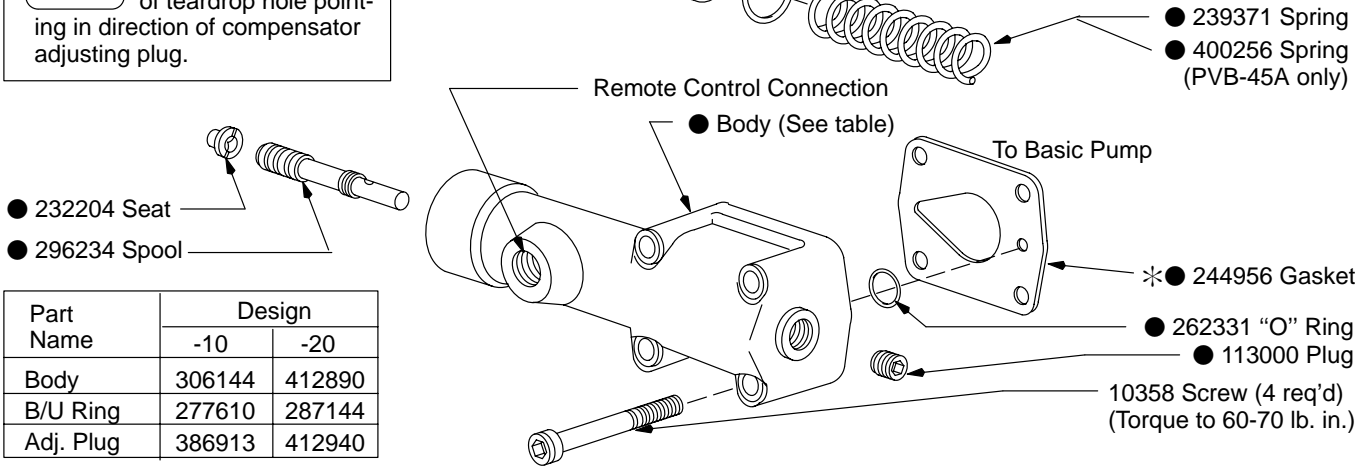
PVB-10/15-**-CG-10/-20
PVB-20/29-**-CG-10/-20

- 262335 "O" Ring
- Back-up Ring (See table)
- Adj. Plug (See table)



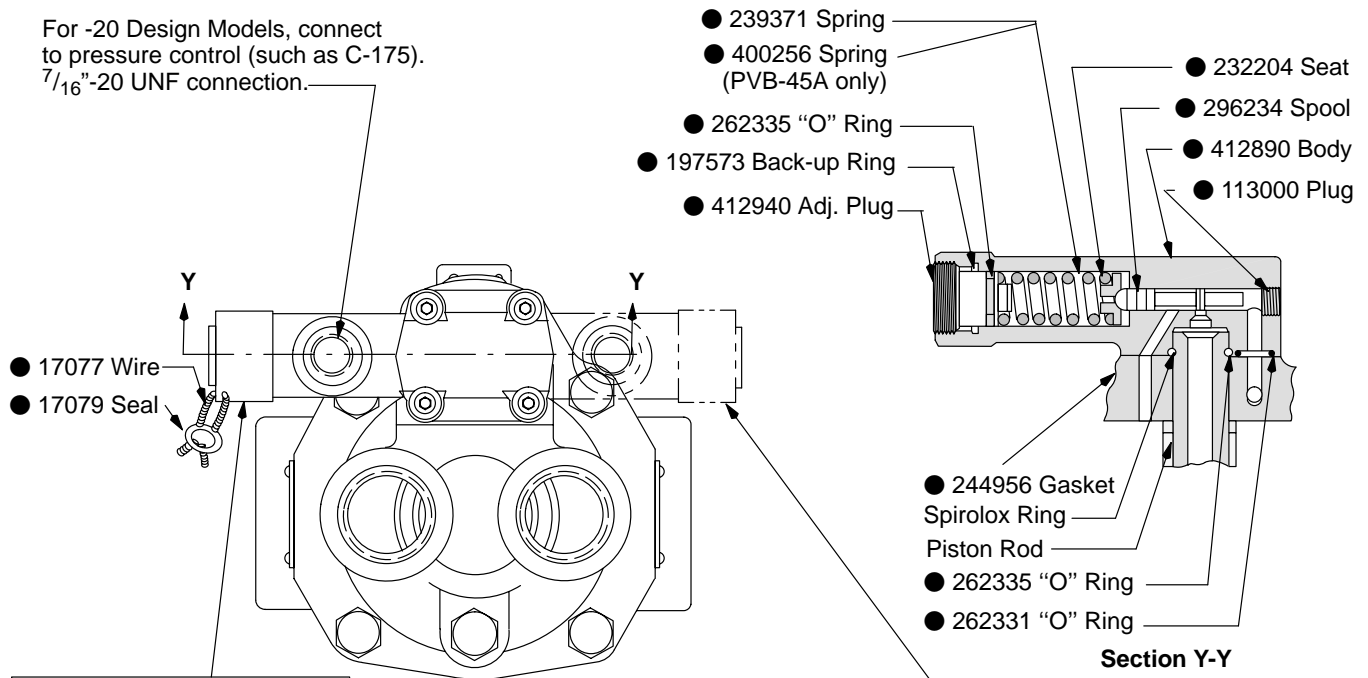
Caution
Position compensator gasket with small end of teardrop hole pointing in direction of compensator adjusting plug.

Model	Basic Pump Parts Shown on Drawing
PVB-5/6-****-20	I-3280-S
PVB-10/15-****-30	I-3268-S
PVB-20/29-****-20	I-3267-S
PVB-45A-****-10	I-3294-S



Part Name	Design	
	-10	-20
Body	306144	412890
B/U Ring	277610	287144
Adj. Plug	386913	412940

For -20 Design Models, connect to pressure control (such as C-175). $\frac{7}{16}$ "-20 UNF connection.



- 17077 Wire
- 17079 Seal

- 239371 Spring
- 400256 Spring (PVB-45A only)
- 262335 "O" Ring
- 197573 Back-up Ring
- 412940 Adj. Plug
- 232204 Seat
- 296234 Spool
- 412890 Body
- 113000 Plug

- 244956 Gasket
- Spirolox Ring
- Piston Rod
- 262335 "O" Ring
- 262331 "O" Ring

Section Y-Y

Compensator Position For -20 Design Models
PVB5/6 Left Hand (CW) shaft rotation.
PVB10/15 Right Hand (CCW) shaft rotation.
PVB-20/29/45A R.H. & L.H.

Included in -20 Design Compensator Kits	
PVB-5/6, 10/15, 20,29	942480
PVB-45A	942444

Compensator Position For -20 Design Models
PVB5/6 Right Hand (CW) shaft rotation. Available only with adj. maximum stop feature. (CCG)
PVB10/15 Left Hand (CCW) shaft rotation. (Shown)

Compensator Adjustment Procedure

1. Turn remote pressure control (such as C-175) to minimum setting.
2. Turn compensator adjustment plug to minimum pressure (250 psi or higher).
3. Full pressure range can now be obtained with the remote pressure control.

Model Code Breakdown

Refer to parts drawings tabulated on the front page for model code information. All model code data pertains except for the control. C(*) is replaced by "CG" when the remote control compensator is used.

Parts Ordering Information

The -10 and -20 designs are shown on this drawing for comparison purposes. When ordering replacement parts for the CG compensator, note the -10 design parts are superseded by the -20 design parts listed in the table. All other parts are common to the -10 and -20 designs.

For satisfactory service life of these components, use full flow filtration to provide fluid which meets ISO cleanliness code 16/13 or cleaner. Selections from pressure, return, and in-line filter series are recommended.