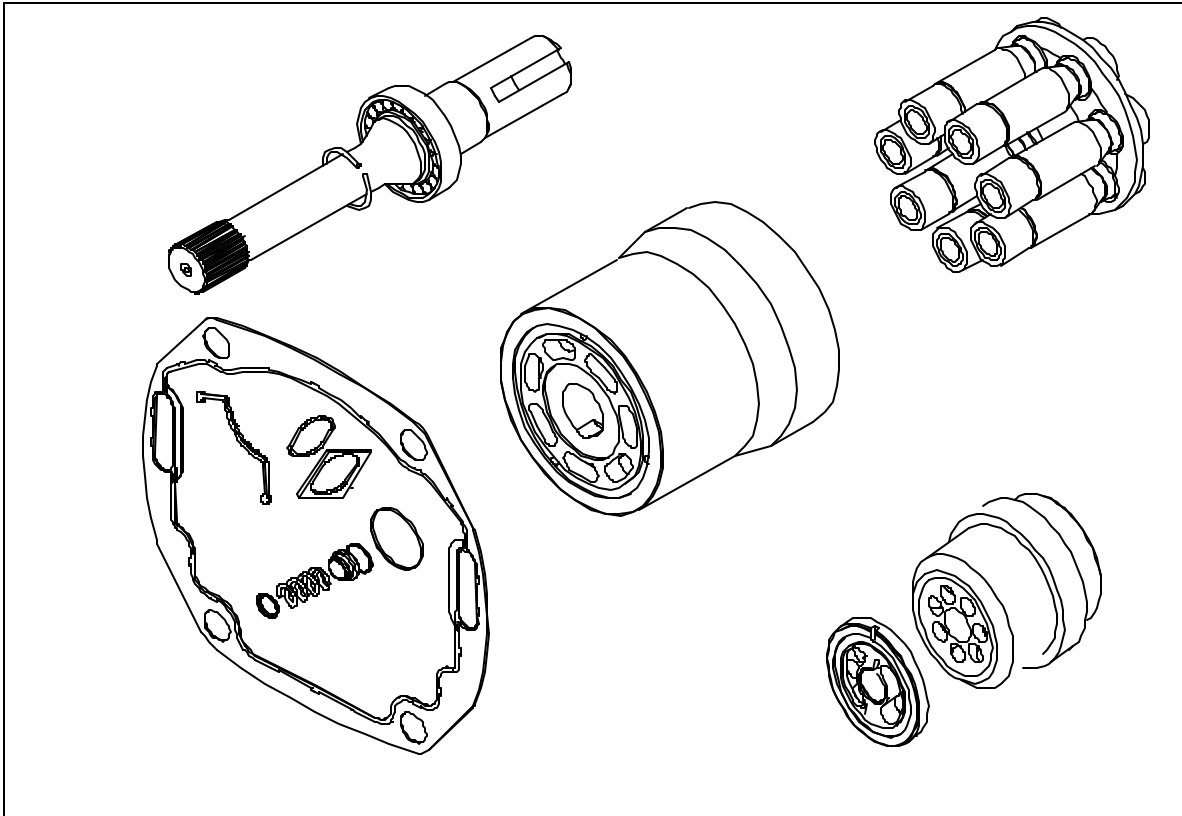


# DENISON HYDRAULICS

## Piston Pump Parts & Conversion Kits



Publ. LT0-00061-1-C

Revised 6/04

**DENISON** | **Hydraulics**

Internet: <http://www.denisonhydraulics.com> E-mail: [denison@denisonhydraulics.com](mailto:denison@denisonhydraulics.com)



The product information, specifications, and descriptions contained in this publication have been compiled for the use and convenience of our customers from information furnished by the manufacturer; and we can not, and do not, accept any responsibility for the accuracy or correctness of any description, calculation, specification, or information contained herein. No such description, calculation, specification, or information regarding the products being sold has been made part of the basis of the bargain, nor has same created or amounted to an express warranty that the products would conform thereto. **We are selling the goods and merchandise illustrated and described on this publication on an “as is” basis, and disclaim any implied warranty, including any warranty of merchantability or warranty of fitness for any particular purpose whatsoever, with respect to the goods and merchandise sold.** All manufacturer warranties shall be passed on to our customers, but we shall not be responsible for special, indirect, incidental, or consequential damages resulting from the use of any of the products or information contained or described on this publication. Further, we reserve the right to revise or otherwise make product improvements at any time without notification.

**NOTE:** All part numbers in **BOLD** print are available on a one week delivery basis but can be ordered for 24 Hr delivery if required. Items ordered for 24 Hr delivery should be placed on an Emergency Order (EO) and unless otherwise specified will be shipped via DHL, UPS, Air Freight etc. (Note: Items requested on 24 Hr delivery **WILL NOT** be shipped by normal transport or sea freight). All other items are available on a standard lead-time.

<b>PV</b>	<b>Page</b>	<b>Gold Cup</b>	<b>Page</b>
Seal Kits	4	Pump Seal Kits	24,25
Shaft & Bearing Assembly	4	Motor Seal Kits	26
Piston, Shoe & Retainer Assembly	5	Shaft & Bearing Assembly	27
Piston & Shoe Sets	5	Piston, Shoe & Retainer Assembly	28
Barrel & Sleeve Assembly	5	Piston & Shoe Sets	28
Rotating Group	6	Barrel & Sleeve Assembly	29
Hold Down Kit	6	Rotating Group (Minor)	30
Rotation Conversions	7	Rotating Group (Major)	31
Rear Drive Adapter Kits	8	Barrel Holddown	32
Couplings	8	Auxiliary Drive Shaft Changes P24/30S	33
Controls	9	Cam & Cradle Stroking Assembly	34
Notes	10	Cam & Cradle Rotation Conversion	34
		Gerotor	35
		Vane Cartridges & Blanks	36
<b>World Cup</b>		Input/Output Controls	37
Seal Kits	11	Rotation Conversions	38
Shaft & Bearing Assembly	11	Rear Drive Adaptor Kits	39-41
Piston, Shoe & Retainer	11	Controls	42-44
Piston Shoe Sets	12	Pipe Kits	44
Rotating Group	12	Notes	45
Holddown Kit	12		
Controls	13		
Notes	14		
		<b>Part Number Listing</b>	
<b>Premier</b>		Part Number Order	46-61
Seal Kits	15		
Rotating Group	15	<b>Notes</b>	62
Holddown Kit	15		
Shaft & Bearing Assembly	16		
Piston, Shoe & Retainer Assembly	17		
Piston Shoe Sets	17		
Barrel & Sleeve Assembly	17		
Rear Drive Adaptor Kits	18		
Controls	19,20		
Pump Conversion Kits	21		
Control Conversion Kits	22		
Notes	23		

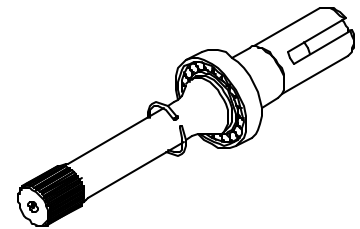
## Seal Kits

	PV6/PVT6	PV10/PVT10	PV15/PVT15	PV20/PVT20	PV29/PVT29
S1	S29-15454-ÅK	S29-15455-ÅK	S29-15456-ÅK	S29-15457-ÅK	S29-15458-ÅK

**NOTE:** Add -0 for Buna/Nitrile, -4 for EPR or -5 for Viton in place of Å

## Shaft and Bearing Assemblies - Drive Shafts (Keyed and Splined)

1. Drive Shaft
2. Bearing
3. Retaining Rings for Bearing
4. Key Where Applicable

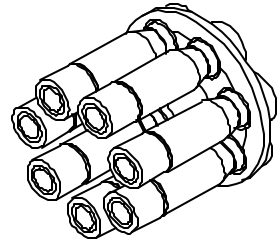


PV6		Standard		Rear Drive	
(1)	PV/PVM SAE-C SPLINED	S29-05241-0K	(1)	PVT/PVR SAE-C SPLINED TANDEM	S29-15414-0K
(2)	PV/PVM SAE-C KEYED	S29-05240-0K	(2)	PVT/PVR SAE-C KEYED TANDEM	S29-15419-0K
PV10		Standard		Rear Drive	
(1)	PV/PVM SAE-C SPLINED	S29-05243-0K	(1)	PVT/PVR SAE-C SPLINED TANDEM	S29-15415-0K
(2)	PV/PVM SAE-C KEYED	S29-05242-0K	(2)	PVT/PVR SAE-C KEYED TANDEM	S29-15420-0K
PV15		Standard		Rear Drive	
(1)	PV/PVM SAE-C SPLINED	S29-05245-0K	(4)	PVT SAE-B-B SPLINED TANDEM	S29-15416-0K
(2)	PV/PVM SAE-C KEYED	S29-05244-0K	(5)	PVT SAE-B-B KEYED TANDEM	S29-15421-0K
(1)	PVT/PVR SAE-C SPLINED T/DEM	S29-15567-0K			
(2)	PVT/PVR SAE-C KEYED TANDEM	S29-15568-0K			
PV20		Standard		Rear Drive	
(1)	PV/PVM SAE-C SPLINED	S29-05247-0K	(1)	PVT/PVR SAE-C SPLINED TANDEM	S29-15417-0K
(2)	PV/PVM SAE-C KEYED	S29-05246-0K	(2)	PVT/PVR SAE-C KEYED TANDEM	S29-15422-0K
PV29		Standard		Rear Drive	
(1)	PV/PVM SAE-C SPLINED	S29-05249-0K	(1)	PVT/PVR SAE-C SPLINED TANDEM	S29-15418-0K
(2)	PV/PVM SAE-C KEYED	S29-05248-0K	(2)	PVT/PVR SAE-C KEYED TANDEM	S29-15423-0K

Note – Shaft Code (in brackets)

## Piston & Shoes

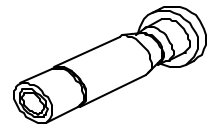
1. Pistons, Shoes & Retainer



<b>PV6/PVT6</b>	<b>S29-17614-0</b>	<b>PV10/PVT10</b>	<b>S29-17615-0</b>	<b>PV15/PVT15</b>	<b>S29-17616-0</b>
<b>PV20/PVT20</b>	<b>S29-17617-0</b>	<b>PV29/PVT29</b>	<b>S29-17618-0</b>		

## Piston & Shoe Sets (no retainer)

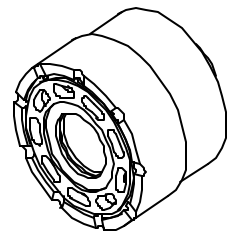
9 Piston & shoes



<b>PV6/PVT6</b>	<b>S29-17498-0K</b>	<b>PV10/PVT10</b>	<b>S29-17499-0K</b>	<b>PV15/PVT15</b>	<b>S29-17500-0K</b>
<b>PV20/PVT20</b>	<b>S29-17501-0K</b>	<b>PV29/PVT29</b>	<b>S29-17502-0K</b>		

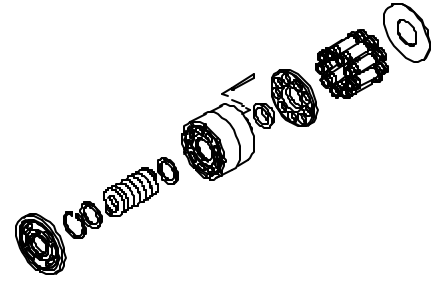
## Barrel and Sleeve Assembly

<b>PV6/PVT6</b>	<b>039-54035-0K</b>
<b>PV10/PVT10</b>	<b>039-54036-0K</b>
<b>PV15/PVT15</b>	<b>039-54037-0K</b>
<b>PV20/PVT20</b>	<b>039-54038-0K</b>
<b>PV29/PVT29</b>	<b>039-54039-0K</b>



## Rotating Group

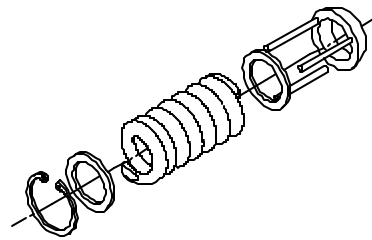
1. Barrel
2. Port Plate
3. Piston & Shoe Assembly
4. Shoe Retainer
5. Wear Plate
6. Holddown Ball
7. Barrel Holddown Spring
8. Barrel Holddown Washer
9. Barrel Holddown Retaining Ring
10. Barrel Holddown Dowel Pin



	CW	CCW
<b>PV6</b>	<b>S29-12833-0</b>	S29-12834-0
<b>PV10</b>	<b>S29-12835-0</b>	S29-12836-0
<b>PV15</b>	<b>S29-12837-0</b>	S29-12838-0
<b>PV20</b>	<b>S29-12839-0</b>	S29-12840-0
<b>PV29</b>	<b>S29-12841-0</b>	S29-12842-0

## Holddown Kits

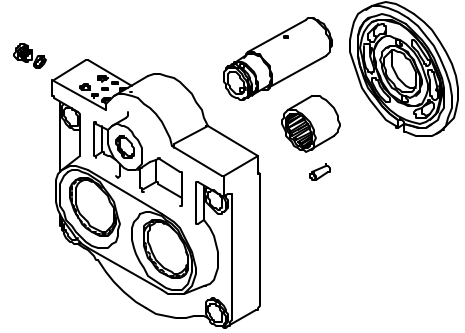
1. Holddown Ball
2. Barrel Holddown Spring
3. Barrel Holddown Washer
4. Barrel Holddown Retaining Ring
5. Barrel Holddown Dowel Pin



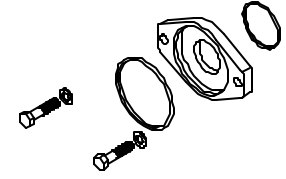
PV6/PVT6	PV10/PVT10	PV15/PVT15	PV20/PVT20	PV29/PVT29
<b>S29-17748-0K</b>	<b>S29-17749-0K</b>	<b>S29-17750-0K</b>	<b>S29-17751-0K</b>	<b>S29-17752-0K</b>

## Rotation Conversions

1. Port Block
2. Port Plate



<b>PV6</b>	
UNF CW TO UNF CCW	S29-17672-0K
UNF CCW TO UNF CW	S29-17673-0K
BSPP CW TO UNF CCW	S29-17674-0K
BSPP CCW TO UNF CW	S29-17675-0K
<b>PVT6</b>	
CW TO UNF CCW	S29-17676-0K
CCW TO UNF CW	S29-17677-0K
<b>PV10</b>	
UNFCW TO UNF CCW	S29-17678K
UNF CCW TO UNF CW	S29-17679-0K
BSPP CW TO UNF CCW	S29-17680-0K
BSPP CCW TO UNF CW	S29-17681-0K
<b>PVT10</b>	
CW TO UNF CCW	S29-17682-0K
CCW TO UNF CW	S29-17683-0K
<b>PV15</b>	
UNFCW TO UNF CCW	S29-17684-0K
UNF CCW TO UNF CW	S29-17685-0K
BSPP CW TO UNF CCW	S29-17686-0K
BSPP CCW TO UNF CW	S29-17687-0K
<b>PVT15</b>	
CW TO UNF CCW	S29-17688-0K
CCW TO UNF CW	S29-17689-0K
<b>PV20</b>	
UNFCW TO UNF CCW	S29-17690-0K
UNF CCW TO UNF CW	S29-17691-0K
BSPP CW TO UNF CCW	S29-17692-0K
BSPP CCW TO UNF CW	S29-17693-0K
<b>PVT20</b>	
CW TO UNF CCW	S29-17694-0K
CCW TO UNF CW	S29-17695-0K
<b>PV29</b>	
UNFCW TO UNF CCW	S29-17696-0K
UNF CCW TO UNF CW	S29-17697-0K
BSPP CW TO UNF CCW	S29-17698-0K
BSPP CCW TO UNF CW	S29-17699-0K
<b>PVT29</b>	
CW TO UNF CCW	S29-17700-0K
CCW TO UNF CW	S29-17701-0K



## Rear Drive Adapter Kits

Description	PV6/PVT6	PV10/PVT10	PV15/PVT15	PV20/PVT20	PV29/PVT29
PVT rear adapter kit, SAE-A	S29-15433-0K	S29-15430-0K	S29-15430-0K	S29-15430-0K	S29-15430-0K
PVT rear adapter kit, SAE-B	N/A	S29-15431-0K	S29-15431-0K	S29-15431-0K	S29-15431-0K
PVT rear adapter kit, SAE-C	N/A	N/A	N/A	S29-15432-0K	S29-15432-0K

**Note: Couplings not included.**

## Couplings

A	SAE A SPLINE - SAE A REAR PAD - PVT6	039-91985-0
B - SAE A PAD	SAE B SPLINE - SAE A REAR PAD - PVT6	039-91968-0

A	SAE A SPLINE - SAE A REAR PAD - PVT10	039-91986-0
B - SAE A PAD	SAE B SPLINE - SAE A REAR PAD - PVT10	039-91981-0
B - SAE B PAD	SAE B SPLINE - SAE B REAR PAD - PVT10	039-91969-0

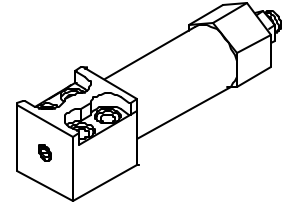
A	SAE A SPLINE - SAE A REAR PAD - PVT15	039-91986-0
B - SAE A PAD	SAE B SPLINE - SAE A REAR PAD - PVT15	039-91981-0
B - SAE B PAD	SAE B SPLINE - SAE B REAR PAD - PVT15	039-91969-0
Q	SAE B-B SPL. - SAE B/B-B REAR PAD-PVT15	039-91970-0

A	SAE A SPLINE - SAE A REAR PAD - PVT20-29	039-91987-0
B - SAE A PAD	SAE B SPLINE - SAE A REAR PAD - PVT20-29	039-91988-0
B - SAE B PAD	SAE B SPLINE - SAE B REAR PAD - PVT20-29	039-91971-0
Q	SAE B-B SPL. - SAE B/B-B REAR PAD-PVT 20-29	039-91972-0
C	SAE C SPLINE - SAE C REAR PAD - PVT20-29	039-91973-0

A	SAE A SPLINE - SAE A REAR PAD - PVT29	039-91987-0
B - SAE A PAD	SAE B SPLINE - SAE A REAR PAD - PVT29	039-91988-0
B - SAE B PAD	SAE B SPLINE - SAE B REAR PAD - PVT29	039-91971-0
Q	SAE B-B SPL. - SAE B/B-B REAR PAD-PVT29	039-91972-0
C	SAE C SPLINE - SAE C REAR PAD - PVT29	039-91973-0



**Controls (Pre-Tested)**



	PV6/PVT6	PV10/PVT10	PV15/PVT15	PV20/PVT20	PV29/PVT29
"C" pressure compensator valve	S29-15104-0K	S29-15104-0K	S29-15104-0K	S29-15104-0K	S29-15104-0K
"F" pressure compensator valve, (UNF)	S29-12120-0K	S29-12120-0K	S29-12120-0K	S29-12120-0K	S29-12120-0K
"F" pressure compensator valve, (BSPP)	S29-12121-0K	S29-12121-0K	S29-12121-0K	S29-12121-0K	S29-12121-0K
"L" pressure compensator valve, (UNF)	S29-12122-0K	S29-12122-0K	S29-12122-0K	S29-12122-0K	S29-12122-0K
"L" pressure compensator valve, (BSPP)	S29-12123-0K	S29-12123-0K	S29-12123-0K	S29-12123-0K	S29-12123-0K
"J" torque limiter	S29-15581-0K	S29-15581-0K	S29-16686-0K	S29-15579-0K	S29-15579-0K
"K" torque limiter	S29-15526-0K	S29-15525-0K	S29-16687-0K	S29-15523-0K	S29-16686-0K
"T" power limiter valve, (UNF)	S29-12364-0K	S29-12365-0K	S29-12366-0K	S29-12367-0K	S29-12368-0K
"T" power limiter valve, (BSPP)	S29-12369-0K	S29-12370-0K	S29-12371-0K	S29-12372-0K	S29-12373-0K



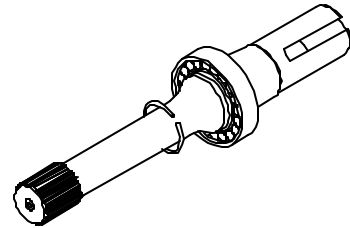
## Seal Kits

Pumps		Controls	
S1	S21-11544-ÅK	S21-06000-ÅK	C, T, L, O, P, M
		S21-05999-ÅK	EHS
		S21-05998-ÅK	Hydraulic Stroker
		S21-05997-ÅK	Rotary Servo

**NOTE:** Add -0 for Buna/Nitrile, -4 for EPR or -5 for Viton in place of Å

## Shaft and Bearing Assemblies - Drive Shafts (Keyed and Splined)

1. Drive Shaft
2. Bearing
3. Retaining Rings for Bearing
4. Key Where Applicable

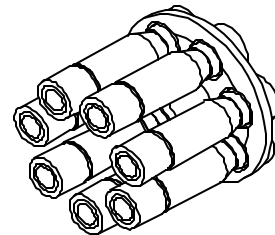


World Cup	Standard	Rear Drive	
(1) SPLINED	S21-11378-0K	(1) SAE-B SPLINED	S21-11416-0K
(2) KEYED (2)	S21-11377-0K	(2) SAE-B KEYED	S21-11415-0K
(3) SAE-B-B SPLINED	S21-11448-0K	(1) SAE-C/D SPLINED	S21-11558-0K
(2) SAE-B-B KEYED	S21-11447-0K	(2) SAE-C/D KEYED	S21-11557-0K
(1) SAE-B SPLINED	S21-11505-0K	(3) SAE-C SPLINED	S21-11815-0K

Note – Shaft Code (in brackets)

## Piston & Shoes

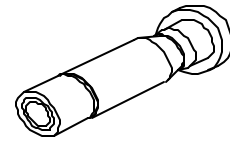
1. Pistons, Shoes & Retainer



P6W	S13-45375-0K	P7W	S13-47873-0K	P8W	S21-11650-0K
-----	--------------	-----	--------------	-----	--------------

### Piston & Shoe Sets (no retainer)

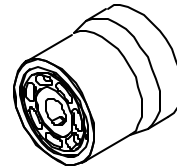
7 Piston & shoes



P6W	S23-17463-0K	P7W	S23-17465-0K	P8W	S23-17466-0K
-----	--------------	-----	--------------	-----	--------------

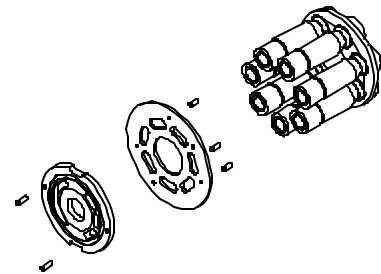
### Barrel and Sleeve Assembly

<b>P6W</b>	<b>S21-03652-0K</b>
<b>P7W</b>	<b>S21-03651-0K</b>
P8W	S21-11648-0K



### Rotating Group

1. Face plate
2. Face plate and port plate locating pins
3. Piston shoes and retainer assembly
4. Port plate

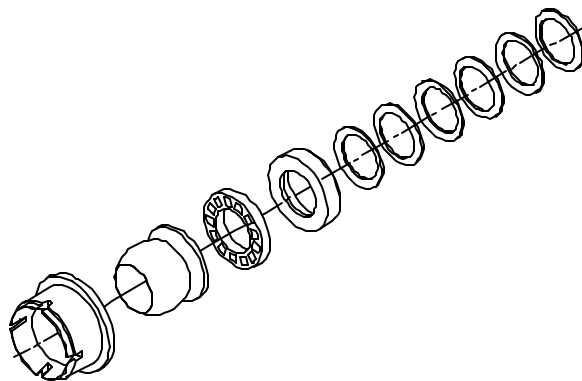


	<b>CW</b>	<b>CCW</b>
<b>P6W</b>	<b>S21-17702-0K</b>	S21-17703-0K
<b>P7W</b>	<b>S21-17704-0K</b>	S21-17705-0K
<b>P8W</b>	S21-17706-0K	S21-17707-0K

### Holddown Kits

1. Holddown Springs
2. Spring Retainer
3. Holddown Bearing
4. Holddown Socket
5. Holddown Ball

<b>P6/7/8W</b>
<b>S21-17714-0K</b>



## Controls

Control and Code	Pressure Controls	Servo Controls
Compensator C*O	<b>S21-11619-0K</b>	X
Low Flow Compensator **F*O	<b>S21-11619-0K</b>	X
Load Sensing Compensator M*O (200psi Δp)	S21-11640-0K	X
Load Sensing Compensator L*O (50psi Δp)	S21-17395-0K	X
Torque Limiter with Compensator T*O	S21-11651-0K	X
Rotary Servo CW R0	X	S21-11560-0K
Rotary Servo CCW R00	X	S21-11560-0K
Rotary Servo with Stops CW R40	X	S21-11608-0K
Rotary Servo with Stops CCW R40	X	S21-11608-0K
Hydraulic Stroker CW H40	X	S21-12286-0K
Hydraulic Stroker CCW H40	X	S21-12285-0K
Electro-hydraulic Stroker CW E40	X	S21-12307-0K
Electro-hydraulic Stroker CCW E40	X	S21-12308-0K
Rotary Servo with Compensator override CW R4P	S21-11619-0K	S21-11608-0K
Rotary Servo with Compensator override CCW R4P	S21-11619-0K	S21-11608-0K
Hydraulic Stroker with Compensator override CW H4P	S21-11619-0K	S21-12286-0K
Hydraulic Stroker with Compensator override CCW H4P	S21-11619-0K	S21-12285-0K
Electro-hydraulic Stroker with Compensator override CW E4P	S21-11619-0K	S21-12307-0K
Electro-hydraulic Stroker with Compensator override CCW E4P	S21-11619-0K	S21-12308-0K
Rotary Servo with Torque Limiter override CW R4T	S21-11651-0K	S21-11608-0K
Rotary Servo with Torque Limiter override CCW R4T	S21-11651-0K	S21-11608-0K
Hydraulic Stroker with Torque Limiter override CW H4T	S21-11651-0K	S21-12286-0K
Hydraulic Stroker with Torque Limiter override CCW H4T	S21-11651-0K	S21-12285-0K
Electro-hydraulic Stroker with Torque Limiter override CW E4T	S21-11651-0K	S21-12307-0K
Electro-hydraulic Stroker with Torque Limiter override CCW E4T	S21-11651-0K	S21-12308-0K



## Seal Kits

Controls C,E,H,J,K,L,M,R,V,W,Y,Z

P05/07	S22-15646-ÅK
P080/110	S22-15647-ÅK
P09	S22-15084-ÅK
P140	S22-15085-ÅK
P12/16	S22-12830-ÅK
P200/260	S22-12831-ÅK

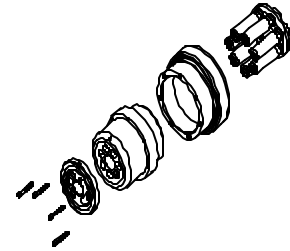
## X (PQ Control)

P05/07	S22-17340-ÅK
P080/110	S22-17341-ÅK
P09	S22-16479-ÅK
P140	S22-16480-ÅK
P12/16	S22-16220-ÅK
P200/260	S22-16221-ÅK

**NOTE: Add -0 for Buna/Nitrile, -4 for EPR or -5 for Viton in place of Å**

## Rotating Group

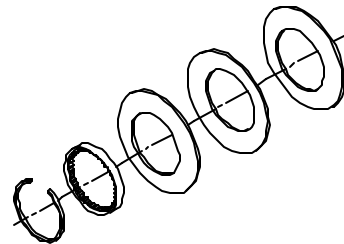
1. Barrel & Port Plate Assembly
2. Creep Plate
3. Piston & Shoes with Retainer Assembly
4. Barrel Bearing



	CW	CCW	WITH X CONTROL CW	WITH X CONTROL CCW
P05/P080	S22-17723-0K	S23-17724-0K		
P07/P140	S22-17725-0K	S23-17726-0K		
P09/P140	S23-17727-0K	S23-17728-0K	S22-17729-0K	S22-17730-0K
P12/200	S22-17731-0K	S22-17732-0K		
P16H/P260H	S22-17733-0K	S22-17734-0K		
P16Q/P260Q	S22-17735-0K	S22-17736-0K	S22-17737-0K	S22-17738-0K

## Holddown Kits

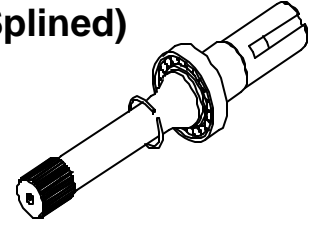
1. Holddown Springs
2. Barrel Stop
3. Retaining Ring



P05/P07/P080/P110	P09/P140	P12/P200	P16/P260
S22-17739-0K	S22-17740-0K	S22-17741-0K	S22-17742-0K

## Shaft and Bearing Assemblies - Drive Shafts (Keyed and Splined)

- 1 Drive Shaft
- 2 Bearing
- 3 Retaining Rings for Bearing
- 4 Key Where Applicable



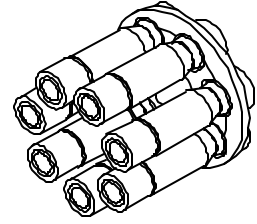
P05/080		Standard		Rear Drive	
(3)	SAE-P05 SPLINED NRD (*)	<b>S22-15338-0K</b>	(3) SAE-P05 SPLINED RD (*)	S22-15340-0K	
(2)	SAE-P05 KEYED NRD (*)	<b>S22-15337-0K</b>	(2) SAE-P05 KEYED RD (*)	S22-15339-0K	
(3)	ISO-P080 SPLINED NRD (*)	<b>S22-15599-0K</b>	(3) ISO-P080 SPLINED RD (*)	S22-15601-0K	
(2)	ISO-P080 KEYED NRD (*)	<b>S22-15598-0K</b>	(2) ISO-P080 KEYED RD (*)	S22-15600-0K	
(7)	DIN-P080 SPLINED NRD (*)	S22-15602-0K	(7) DIN-P080 SPLINED RD (*)	S22-15603-0K	
(6)	DIN-P080 KEYED NRD (*)	S22-15673-0K	(6) DIN-P080 KEYED RD (*)	S22-15674-0K	
P07/110		Standard		Rear Drive	
	SAE-P07 SPLINED NRD (3) (*)	<b>S22-15338-0K</b>	(3) SAE-P07 SPLINED RD (*)	S22-16025-0K	
	SAE-P07 KEYED NRD (2) (*)	<b>S22-15337-0K</b>	(2) SAE-P07 KEYED RD (*)	S22-16027-0K	
	ISO-P110 SPLINED NRD (3) (*)	<b>S22-15599-0K</b>	(3) ISO-P110 SPLINED RD (*)	S22-16026-0K	
	ISO-P110 KEYED NRD (2) (*)	<b>S22-15598-0K</b>	(2) ISO-P110 KEYED RD (*)	S22-16028-0K	
	DIN-P110 SPLINED NRD (7) (*)	S22-15602-0K	(7) DIN-P110 SPLINED RD (*)	S22-16029-0K	
	DIN-P110 KEYED NRD (6) (*)	S22-15673-0K	(6) DIN-P110 KEYED RD (*)	S22-16030-0K	
P09/140		Standard		Rear Drive	
(3)	SAE-P09 SPLINED NRD (*)	<b>S22-15113-0K</b>	(3) SAE-P09 SPLINED RD (*)	S22-15114-0K	
(2)	SAE-P09 KEYED NRD (*)	<b>S22-15111-0K</b>	(2) SAE-P09 KEYED RD (*)	S22-15112-0K	
(3)	ISO-P140 SPLINED NRD (*)	<b>S22-15117-0K</b>	(3) ISO-P140 SPLINED RD (*)	S22-15118-0K	
(2)	ISO-P140 KEYED NRD (*)	<b>S22-15115-0K</b>	(2) ISO-P140 KEYED RD (*)	S22-15116-0K	
(7)	DIN-P140 SPLINED NRD (*)	S22-15621-0K	(7) DIN-P140 SPLINED RD (*)	S22-15622-0K	
(6)	DIN-P140 KEYED NRD (*)	S22-15685-0K	(6) DIN-P140 KEYED RD (*)	S22-15686-0K	
P12/200		Standard		Rear Drive	
(3)	SAE-P12 SPLINED NRD (**)	<b>S22-16525-0K</b>	(3) SAE-P12 SPLINED RD (**)	S22-16526-0K	
(2)	SAE-P12 KEYED NRD (**)	<b>S22-16523-0K</b>	(2) SAE-P12 KEYED RD (**)	S22-16524-0K	
(3)	ISO-P200 SPLINED NRD (**)	<b>S22-16529-0K</b>	(3) ISO-P200 SPLINED RD (**)	S22-16530-0K	
(2)	ISO-P200 KEYED NRD (**)	<b>S22-16527-0K</b>	(2) ISO-P200 KEYED RD (**)	S22-16528-0K	
(7)	DIN-P200 (50mm) SPL NRD (**)	S22-16533-0K	(7) DIN-P200 (50mm) SPLI RD (**)	S22-16534-0K	
(6)	DIN-P200 (50mm) KEY NRD (**)	S22-16531-0K	(6) DIN-P200 (50mm) KEY RD (**)	S22-16532-0K	
(9)	DIN-P200 (60mm) SPL NRD (**)	S22-16550-0K	(9) DIN-P200 (60mm) SPL RD (**)	S22-16551-0K	
(8)	DIN-P200 (60mm) KEY NRD (**)	S22-16548-0K	(8) DIN-P200 (60mm) KEY RD (**)	S22-16549-0K	
P16/260		Standard		Rear Drive	
(3)	SAE-P16 SPLINED NRD (**)	<b>S22-12747-0K</b>	(3) SAE-P16 SPL (LOW TORQUE) (**)	S22-12861-0K	
(2)	SAE-P16 KEYED NRD (**)	<b>S22-12746-0K</b>	(2) SAE-P16 KEYED RD (**)	S22-12859-0K	
(5)	SAE-F SPLINED NRD (**)	<b>S22-16407-0K</b>	(5) SAE-D/E SPL RD (HIGH TORQUE) (**)	S22-12862-0K	
(3)	ISO-P260 SPLINED NRD (**)	<b>S22-12825-0K</b>	(3) ISO-P260 SPLINED RD (**)	S22-12866-0K	
(2)	ISO-P260 KEYED NRD (**)	<b>S22-12824-0K</b>	(2) ISO-P260 KEYED RD (**)	S22-12864-0K	
(7)	DIN-P260 SPLINED NRD (**)	S22-15682-0K	(7) DIN-P260 SPLINED RD (**)	S22-15683-0K	
(6)	DIN-P260 KEYED NRD (**)	S22-15680-0K	(6) DIN-P140 KEYED RD (**)	S22-15681-0K	

- RD = Rear Drive,
- NRD = No Rear Drive
- \* = Shaft, Bearing, Shaft Seal, & Key (Where Applicable)
- \*\* = Shaft, Bearing, Shaft Seal, Seal Retainer & Key (Where Applicable)
- Note – Shaft Code (in brackets)



## Piston & Shoes

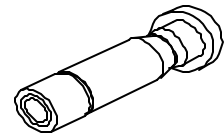
### 1. Pistons, Shoes & Retainer



P05/080	S22-15342-0K	P07/110	S22-16039-0K	P09/140	S22-15119-0K
P12/200	S22-16536-0K	P16/260Q	S22-15893-0K	P16/260H	S22-15271-0K

## Piston & Shoe Sets (no retainer)

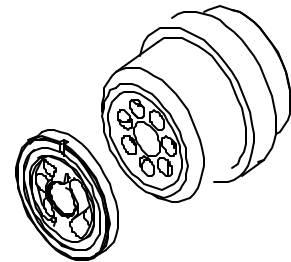
### 7 Piston & shoes



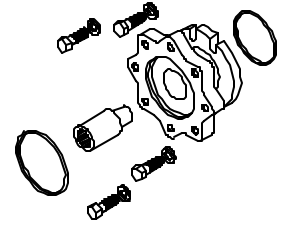
P05/080	S22-17503-0K	P07/110	S22-17504-0K	P09/140	S22-17505-0K
P12/200	S22-17506-0K	P16/260H	S22-17507-0K	P16/260Q	S22-17508-0K

## Barrel and Sleeve Assembly

Premier (Includes port plate)	
<b>P05/080 (CW)</b>	<b>S22-16143-0K</b>
P05/080 (CCW)	S22-16144-0K
<b>P07/110 (CW)</b>	<b>S22-16145-0K</b>
P07/110 (CCW)	S22-16146-0K
<b>P09/140 (CW)</b>	<b>S22-16147-0K</b>
P09/140 (CCW)	S22-16148-0K
P09/140 (CW, PQ Control)	S22-16386-0K
P09/140 (CCW, PQ Control)	S22-16387-0K
<b>P12/200 (CW)</b>	<b>S22-16223-0K</b>
P12/200 (CCW)	S22-16535-0K
P12/200 (CW, X**)	S22-16223-0K
P12/200 (CCW, X**)	S22-16535-0K
<b>P16/260 (CW, H*)</b>	<b>S22-16100-0K</b>
P16/260 (CCW, H*)	S22-15672-0K
<b>P16/260 (CW, Q*)</b>	<b>S22-16123-0K</b>
P16/260 (CCW, Q*)	S22-16125-0K
P16/260 (CW, PQ)	S22-15961-0K
P16/260 (CCW, PQ)	S22-15962-0K



## Rear Drive Adapter Kits



0	None	
M	Rear Blanking Plate	032-91468-0K
A	SAE "A" WITH SAE "A" SHAFT	S22-15372-0K
G	SAE "A" WITH SAE "B" SHAFT	S22-15809-0K
B	SAE "B" WITH SAE "B" SHAFT	S22-12867-0K
Q	SAE "B" WITH SAE "B-B" SHAFT	S22-12868-0K
C	SAE "C" WITH SAE "C" SHAFT	S22-12869-0K
N	SAE "C" WITH SAE "C-C" SHAFT	S22-12920-0K
D	SAE "D" WITH SAE "C-C" SHAFT	S22-12870-0K
E	SAE "E" WITH SAE "D or E" SHAFT	S22-12871-0K
L	ISO - 180 B4HW WITH DIN 40 - 18 SHAFT	S22-15933-0K
R	ISO - 224 B4HW WITH K50N SHAFT	S22-16543-0K
S	ISO - 180 B4HW WITH DIN 50 - 24 SHAFT	S22-15934-0K
T	ISO - 180 B4HW WITH K40N SHAFT	S22-15740-0K
U	ISO - 180 B4HW WITH K50 SHAFT	S22-15570-0K
V	ISO - 250 B4HW WITH K50N SHAFT	S22-12876-0K
W	ISO - 200 B4HW WITH K50N SHAFT	S22-12875-0K
X	ISO - 160 B4HW WITH K40N SHAFT	S22-12874-0K
Y	ISO - 125 B4HW WITH K32N SHAFT	S22-12873-0K
Z	ISO - 100 BH4W WITH K25N SHAFT	S22-12872-0K

## Controls

	Pre Tested Controls					
		P05	P080	P07	P110	P09
*1*	MAX. VOL. SCREW (FOR C, J, K & L)	S22-15467-0K	S22-15467-0K	S22-15467-0K	S22-15467-0K	S22-12983-0K
*2*	HANDWHEEL (FOR C, J, K & L)	S22-15448-0K	S22-15448-0K	S22-15448-0K	S22-15448-0K	S22-12915-0K
R**	ROTARY SERVO	S22-16200-0K	S22-16199-0K	S22-16200-0K	S22-16199-0K	S22-16005-0K
H**	HYDRAULIC STROKER	S22-16202-0K	S22-16201-0K	S22-16202-0K	S22-16201-0K	S22-16003-0K
E**	ELECTRIC STROKER	S22-16204-0K	S22-16203-0K	S22-16204-0K	S22-16203-0K	S22-16001-0K
C1*	PRESSURE COMPENSATOR	S22-16440-0K	S22-16444-0K	S22-16440-0K	S22-16444-0K	S22-15311-0K
C2*	PRESSURE COMPENSATOR	S22-16445-0K	S22-16440-0K	S22-16445-0K	S22-16446-0K	
J1*	LOW TORQUE LIMITER	S22-15401-0K	S22-15624-0K	S22-15401-0K	S22-15624-0K	S22-15732-0K
J2*	LOW TORQUE LIMITER	S22-15627-0K	S22-15634-0K	S22-15627-0K	S22-15634-0K	
K1*	HIGH TORQUE LIMITER					S22-15313-0K
L1*	LOAD SENSING (50Δp)	S22-15402-0K	S22-15625-0K	S22-15402-0K	S22-15625-0K	S22-15536-0K
L2*	LOAD SENSING (50Δp)	S22-15628-0K	S22-15637-0K	S22-15628-0K	S22-15637-0K	
R1	MANUAL ROTARY SERVO	S22-16200-0K	S22-16199-0K	S22-16200-0K	S22-16199-0K	
V1	LOW TORQUE LIMITER WITH LOAD SENSING	S22-16186-0K	S22-16188-0K	S22-16186-0K	S22-16188-0K	S22-16193-0K
W1	HIGH TORQUE LIMITER WITH LOAD SENSING	S22-16187-0K	S22-16189-0K	S22-16187-0K	S22-16189-0K	S22-15790-0
K1	LOW TORQUE LIMITER	S22-15629-0K	S22-15631-0K	S22-15629-0K	S22-15631-0K	S22-15313-0K
K2	HIGH TORQUE LIMITER	S22-15635-0K	S22-15636-0K	S22-15635-0K	S22-15636-0K	
*1J	TORQUE LIMITER OVERRIDE (LOW)	S22-16207-0K	S22-16208-0K	S22-16207-0K	S22-16208-0K	S22-16183-0K
*1K	TORQUE LIMITER OVERRIDE (HIGH)	S22-16209-0K	S22-16210-0K	S22-16209-0K	S22-16210-0K	S22-16009-0K
*1P	PRESSURE COMPENSATOR OVERRIDE	S22-16205-0K	S22-16206-0K	S22-16205-0K	S22-16206-0K	S22-16007-0K
V2*	LOW TORQUE LIMITER WITH LOAD SENSE	S22-16195-0K	S22-16196-0K	S22-16195-0K	S22-16196-0K	
W2*	HIGH TORQUE LIMITER WITH LOAD SENSE	S22-16197-0K	S22-16198-0K	S22-16197-0K	S22-16198-0K	
**0	FOR EHS	S22-15325-0K	S22-15613-0K	S22-15325-0K	S22-15613-0K	S22-15528-0K
**0	FOR C,J,K,L,M,V,W	S22-15447-0K	S22-15447-0K	S22-15447-0K	S22-15447-0K	S22-15653-0K

**Premier**

	<b>Pre Tested Controls</b>					
		<b>P140</b>	<b>P12</b>	<b>P200</b>	<b>P16</b>	<b>P260</b>
*1*	MAX. VOL. SCREW (FOR C, J, K & L)	S22-12983-0K	S22-12983-0K	S22-12983-0K	S22-12983-0K	S22-12983-0K
*2*	HANDWHEEL (FOR C, J, K & L)	S22-12915-0K	S22-12915-0K	S22-12915-0K	S22-12915-0K	S22-12915-0K
R**	ROTARY SERVO	S22-16006-0K	S22-16005-0K	S22-16006-0K	S22-16005-0K	S22-16006-0K
H**	HYDRAULIC STROKER	S22-16004-0K	S22-16003-0K	S22-16004-0K	S22-16003-0K	S22-16004-0K
E**	ELECTRIC STROKER	S22-16002-0K	S22-16001-0K	S22-16002-0K	S22-16001-0K	S22-16002-0K
C1*	PRESSURE COMPENSATOR	S22-15312-0K	S22-15311-0K	S22-15312-0K	S22-15311-0K	S22-15312-0K
J1*	LOW TORQUE LIMITER	S22-15733-0K	S22-15732-0K	S22-15733-0K	S22-15313-0K	S22-15314-0K
J2*	LOW TORQUE LIMITER					
L1*	LOAD SENSING	S22-15537-0K	S22-15536-0K	S22-15537-0K	S22-15536-0K	S22-15537-0K
V1	LOW TORQUE LIMITER WITH LOAD SENSING	S22-16194-0K	S22-16193-0K	S22-16194-0K	S22-15790-0K	S22-15802-0K
W1	HIGH TORQUE LIMITER WITH LOAD SENSING	S22-15802-0K	S22-15790-0K	S22-15802-0K	S22-16191-0K	S22-16192-0K
K1	HIGH TORQUE LIMITER	S22-15314-0K	S22-15315-0K	S22-15316-0K	S22-15315-0K	S22-15316-0K
K2	HIGH TORQUE LIMITER					
*1J	TORQUE LIMITER OVERRIDE (LOW)	S22-16184-0K	S22-16183-0K	S22-16184-0K	S22-16009-0K	S22-16010-0K
*1K	TORQUE LIMITER OVERRIDE (HIGH)	S22-16010-0K	S22-16011-0K	S22-16012-0K	S22-16011-0K	S22-16012-0K
*1P	PRESSURE COMPENSATOR OVERRIDE	S22-16008-0K	S22-16007-0K	S22-16008-0K	S22-16007-0K	S22-16008-0K
**0	FOR EHS	S22-15529-0K	S22-15528-0K	S22-15529-0K	S22-15528-0K	S22-15529-0K
**0	FOR C,J,K,L,M,V,W	S22-15653-0K	S22-15653-0K	S22-15653-0K	S22-15653-0K	S22-15653-0K

## Pump Control Conversion Kits

Convert from standard COMPENSATOR CONTROLLED pump to:		P05	P080	P07	P110	P09
Primary Control						
Rotary Servo	R**	† S22-17135-0	† S22-17136-0	† S22-17135-0	† S22-17136-0	† S22-17141-0
Hydraulic Stroker	H**	† S22-17133-0	† S22-17134-0	† S22-17133-0	† S22-17134-0	† S22-17139-0
Electro Hydraulic Stroker	E**	† S22-17131-0	† S22-17132-0	† S22-17131-0	† S22-17132-0	† S22-17137-0
+ Secondary Control						
Torque Limit Override (High)	*1K	S22-16209-0	S22-16210-0	S22-16209-0	S22-16210-0	S22-16009-0
Torque Limit Override (Low)	*1J	S22-16207-0	S22-16208-0	S22-16207-0	S22-16208-0	S22-16183-0
Pressure Compensator Override	*1P	S22-16205-0	S22-16206-0	S22-16205-0	S22-16206-0	S22-16007-0
No Override	*10	S22-15325-0	S22-15613-0	S22-15325-0	S22-15613-0	S22-15528-0

Convert from standard compensator to:		P140	P12	P200	P16	P260
Primary Control						
Rotary Servo	R**	† S22-17142-0	† S22-17147-0	† S22-17148-0	† S22-17153-0	† S22-17154-0
Hydraulic Stroker	H**	† S22-17140-0	† S22-17145-0	† S22-17146-0	† S22-17151-0	† S22-17152-0
Electro Hydraulic Stroker	E**	† S22-17138-0	† S22-17143-0	† S22-17144-0	† S22-17149-0	† S22-17150-0
+ Secondary Control						
Torque Limit Override (High)	*1K	S22-16010-0	S22-16011-0	S22-16012-0	S22-16011-0	S22-16012-0
Torque Limit Override (Low)	*1J	S22-16184-0	S22-16183-0	S22-16184-0	S22-16009-0	S22-16010-0
Pressure Compensator Override	*1P	S22-16008-0	S22-16007-0	S22-16008-0	S22-16007-0	S22-16008-0
No Override	*10	S22-15529-0	S22-15528-0	S22-15529-0	S22-15528-0	S22-15529-0

† Contains: Control Piston, Piston Rings and Seals, Primary Control and Upper to Lower Cyl, Servo Tube

	Convert from standard Servo pump to Compensator pump:
P05/080	†† S22-17854-0K
P07/110	†† S22-17854-0K
P09/140	†† S22-17855-0K
P12/200	†† S22-17856-0K
P16/260	†† S22-17857-0K

†† Contains: Control Piston, Piston Rings and Seals,  
Buck-up Cap with Mounting Screws & LESS PRIMARY CONTROL

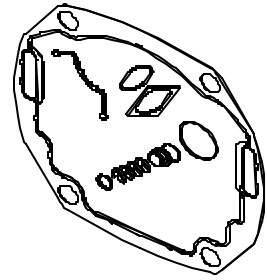
**Premier**

Convert from standard SERVO CONTROLLED pump to:		P05 & P07	P080 & P110	P09, P12 & P16	P140, P200 & P260
<b>Primary Control</b>					
Compensator	C1	S22-16440-0	S22-16444-0	S22-15311-0	S22-15312-0
	C2	S22-16445-0	S22-16446-0		
Load Sensing (50 ΔP)	L1	S22-15402-0	S22-15625-0	S22-15536-0	S22-15537-0
	L2	S22-15628-0	S22-15637-0		
Load Sensing (200 ΔP)	M1	S22-17860-0	S22-17861-0	S22-17866-0	S22-17867-0
	M2				
Torque Limiter (Low)	J1	S22-15401-0	S22-15624-0	S22-15732-0 <b>(P09 &amp; P12)</b>	S22-15733-0 <b>(P140 &amp; P200)</b>
				S22-15313-0 <b>(P16)</b>	S22-15314-0 <b>(P260)</b>
	J2	S22-15627-0	S22-15634-0		
Torque Limiter (High)	K1	S22-15629-0	S22-15631-0	S22-15313-0 <b>(P09)</b>	S22-15314-0 <b>(P140)</b>
				S22-15315-0 <b>(P12 &amp; P16)</b>	S22-15316-0 <b>(P200 &amp; P260)</b>
	K2	S22-15635-0	S22-15636-0		
Load Sensing (50 ΔP) & Torque Limiter (Low)	V1	S22-16186-0	S22-16188-0	S22-16193-0 <b>(P09 &amp; P12)</b>	S22-16194-0 <b>(P140 &amp; P200)</b>
				S22-15790-0 <b>(P16)</b>	S22-15802-0 <b>(P260)</b>
	V2	S22-16195-0	S22-16196-0		
Load Sensing (50 ΔP) & Torque Limiter (High)	W1	S22-16187-0	S22-16189-0	S22-15790-0 <b>(P09)</b>	S22-15802-0 <b>(P140)</b>
				S22-16191-0 <b>(P12 &amp; P16)</b>	S22-16192-0 <b>(P200 &amp; P260)</b>
	W2	S22-16197-0	S22-16198-0		
Load Sensing (200 ΔP) & Torque Limiter (Low)	Y1	S22-17862-0	S22-17863-0	S22-17868-0 <b>(P09 &amp; P12)</b>	S22-17869-0 (P140 & P200)
				S22-17872-0 <b>(P16)</b>	S22-17873-0 <b>(P260)</b>
	Y2				
Load Sensing (200 ΔP) & Torque Limiter (High)	Z1	S22-17864-0	S22-17865-0	S22-17872-0 <b>(P09)</b>	S22-17873-0 <b>(P140)</b>
				S22-17870-0 <b>(P12 &amp; P16)</b>	S22-17871-0 <b>(P200 &amp; P260)</b>
	Z2				
<b>+ Secondary Control</b>					
Compensator Controlled (Less Primary Control)	C**, J**, K**, L**, M**, V**, W**, Y** & Z**	S22-17854-0	S22-17855-0	S22-17856-0	S22-17857-0



**Complete Seal Kits Contain All Seals for The Following:**

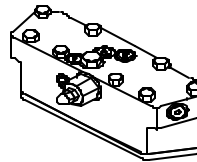
1. Main Pump
2. Valve Block
3. Input/Output Controls
4. Shaft Seal
5. Hot Oil Shuttle (where applicable)
6. Vane Pump (where applicable)



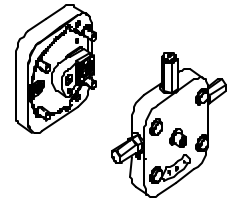
Note: All **BOLD** seal kits are Buna/Nitrile (0)

**All Valve Blocks**

Seal Kit **S23-17338-ÅK**  
 Repair Kit **S23-17563-ÅK** (Not Hi IQ)



**All Input and Output Controls S23-17000-ÅK**



**Seal Kits for P6,7,8 Gold Cup Pumps**

CIPR	MOD.	SERIES	SHAFT TYPE	ROT.	COMPLETE SEAL KIT	SHUTTLE	SHAFT SEAL KIT
6,7,8	C & A	<b>P/D/V</b>	1,2,3,6	R & L	<b>S23-17026-ÅK</b>	N/A	<b>S13-44302-ÅK</b>
			4,5		S23-17027-⊕K		S23-16164-⊕K
			7,8		S23-17028-⊕K		S23-17001-⊕K
		<b>S</b>	1,2,3,6		<b>S23-17029-ÅK</b>	<b>S23-15089-ÅK</b>	<b>S13-44302-ÅK</b>
			4,5		S23-17030-⊕K		S23-16164-⊕K
			7,8		S23-17031-⊕K		S23-17001-⊕K

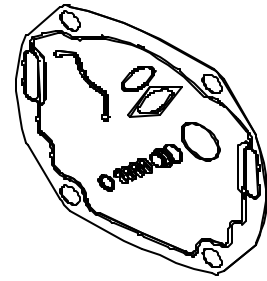
**Seal Kits for P6,7,8 Gold Cup Pumps with TB Auxiliary Pumps**

CIPR	MOD.	SERIES	SHAFT TYPE	ROT.	COMPLETE SEAL KIT	SHUTTLE	SHAFT SEAL KIT
6,7,8	C & A	<b>S</b>	1,2,3,6	R & L	<b>S23-16174-ÅK</b>	<b>S23-15089-ÅK</b>	<b>S13-44302-ÅK</b>
			7,8		N/A		S23-17001-⊕K

**Note: Add -0 for Buna/Nitrile, -4 for EPR or -5 for Viton in place of Å**



## Gold Cup



### Seal Kits for P11,14 Gold Cup Pumps

CIPR	MOD.	SERIES	SHAFT TYPE	ROT.	COMPLETE SEAL KIT	SHUTTLE	SHAFT SEAL KIT
11,14	A & C	P/V/R	1,2,3,6	R & L	<b>S23-17032-ÅK</b>	N/A	<b>S23-05992-ÅK</b>
	B & C		7,8	R	S23-17033-⊕K		S23-15244-⊕K
	B & C		7,8	L	S23-17034-⊕K		S23-15247-⊕K
	A & C	S/L	1,2,3,6	R & L	S23-17035-⊕K	<b>S23-15089-ÅK</b>	S23-05992-⊕K
	B & C		7,8	R	S23-17036-⊕K		S23-15244-⊕K
	B & C		7,8	L	S23-17037-⊕K		S23-15247-⊕K

### Seal Kits for P11,14 Gold Cup Pumps with TB Auxiliary Pumps

CIPR	MOD.	SERIES	SHAFT TYPE	ROT.	COMPLETE SEAL KIT	SHUTTLE	SHAFT SEAL KIT
11,14	B & C	S/L	7,8	R	<b>S23-15702-ÅK</b>	<b>S23-15089-ÅK</b>	<b>S23-15244-ÅK</b>
				L	S23-15703-⊕K		S23-15247-⊕K

### Seal Kits for P24,30 Gold Cup Pumps

CIPR	MOD.	SERIES	SHAFT TYPE	ROT.	COMPLETE SEAL KIT	SHUTTLE	SHAFT SEAL KIT	
24,30	E & B	P	2,3	R & L	<b>S23-18006-ÅK</b>	N/A	<b>S23-11516-ÅK</b>	
		R			S23-18016-⊕K			
		X			<b>S23-11514-ÅK</b>			
		P	7,8	R	S23-17038-⊕K			<b>S23-16332-ÅK</b>
		P	7,8	L	S23-17039-⊕K			S23-16333-⊕K
		R	7,8	R	S23-18017-⊕K			<b>S23-16332-ÅK</b>
		R	7,8	L	S23-18018-⊕K	S23-16333-⊕K		
		X	7,8	R	S23-18022-⊕K	<b>S23-16332-ÅK</b>		
		X	7,8	L	S23-18023-⊕K	S23-16333-⊕K		
		S	2,3	R & L	<b>S23-17040-ÅK</b>	<b>S23-15089-ÅK</b>	<b>S23-11516-ÅK</b>	
		L			S23-18019-⊕K			
		S	7,8	R	S23-17041-⊕K		<b>S23-16332-ÅK</b>	
		S	7,8	L	S23-17042-⊕K		S23-16333-⊕K	
		L	7,8	R	S23-18020-⊕K		<b>S23-16332-ÅK</b>	
L	7,8	L	S23-18021-⊕K	S23-16333-⊕K				

### Seal Kits for P24,30 Gold Cup Pumps with T6C Auxiliary Pumps

CIPR	MOD.	SERIES	SHAFT TYPE	ROT.	COMPLETE SEAL KIT	SHUTTLE	SHAFT SEAL KIT
24,30	E & B	S	2,3	R & L	S23-11600-⊕K	<b>S23-15089-ÅK</b>	<b>S23-11516-ÅK</b>
			7,8	R	<b>S23-15696-ÅK</b>		<b>S23-16332-ÅK</b>
				L	S23-15697-⊕K		S23-16333-⊕K

**Note: Add -0 for Buna/Nitrile, -4 for EPR or -5 for Viton in place of Å**

## Gold Cup

### GOLD CUP MOTOR SEAL KITS

UNIT TYPE	CIPR	SERIES & MOD	SHAFT TYPE	COMPLETE SEAL KIT WITH OR W/OUT SHUTTLE & WITH INPUT/OUTPUT CONTROLS (CONTAINS)	COMPLETE SEAL KIT WITH OR W/OUT SHUTTLE (CONTAINS)	INPUT/ OUTPUT CONTROL (4)	SHAFT SEAL KIT (5)
M & P	6,7	F/G "A" & "C" MOD	1,2,3,6	N/A	<b>S23-00133-ÅK</b> (5)		<b>S13-44302-ÅK</b> (6)
M & P	6,7	F/G "D" MOD	1,2,3,6	N/A	S23-03237-ØK (5)		S23-17013-ØK (6)
M & P	6,7	F/G "D" MOD	4,5	N/A	S23-15720-ØK (5)		S23-17014-ØK (6)
M	6,7	M6H/V "C" MOD M7H/V "A" MOD	1,2,3,6	<b>S23-17743-ÅK</b> (3,4)	<b>S23-00137-ÅK</b> (5)	<b>S23-17000-ÅK</b>	<b>S13-44302-ÅK</b> (6)
M	6,7	M6H/V "C" MOD M7H/V "A" MOD	4,5	S23-17744-ØK (3,4)	S23-16162-ØK (5)		S23-16164-ØK (6)
M	6,7	M6H/V "C" MOD M7H/V "A" MOD	7,8	S23-17745-ØK (3,4)	S23-17753-ØK (5)		S23-16164-ØK (6)
M & P	11,14	F/G "A" MOD	1,2,3,6	N/A	<b>S23-00143-ÅK</b> (5)		<b>S23-05992-ÅK</b> (6)
M	11,14	H/V "A" MOD	1,2,3,6	<b>S23-17746-ÅK</b> (3,4)	<b>S23-00141-ÅK</b> (5)	<b>S23-17000-ÅK</b>	<b>S23-05992-ÅK</b> (6)
M	24	F/G "D" MOD	2,3	N/A	<b>S23-15128-ÅK</b> (5)		<b>S23-11516-ÅK</b> (6)
M	30	F/G "A" MOD	2,3	N/A	<b>S23-15128-ÅK</b> (5)		<b>S23-11516-ÅK</b> (6)
M	24	H/V "D" MOD	2,3	<b>S23-17747-ÅK</b> (3,4)	<b>S23-05994-ÅK</b> (5)	<b>S23-17000-ÅK</b>	<b>S23-11516-ÅK</b> (6)
M	30	H/V "A" MOD	2,3	<b>S23-17747-ÅK</b> (3,4)	<b>S23-05994-ÅK</b> (5)		<b>S23-11516-ÅK</b> (6)

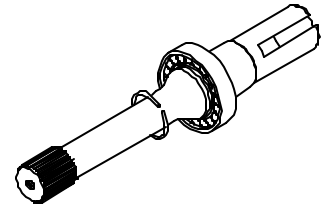
**Key: M = Motor, P = Pump**

**Rotation: R, L & N**

**NOTE: Add -4 for EPR Rubber or -5 for Viton in place of Å**

## Shaft and Bearing Assemblies - Drive Shafts (Keyed and Splined)

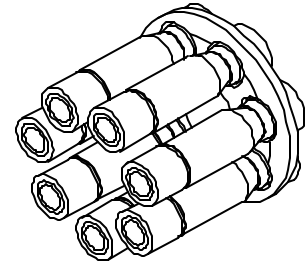
1. Drive Shaft
2. Bearing
3. Retaining Rings for Bearing
4. Key Where Applicable



For Mechanical Shaft Seals		For Lip Seals	
<b>P6,7,8</b>		<b>P6,7,8</b>	
<b>P6/7/8/P/D/S/V SAE -C SPLINED</b>	<b>S13-41805-0K</b>	P6/7/8/P/D/S/V SAE -C SPLINED	S23-16514-0K
<b>P6/7/8/P/D/S/V SAE -C KEYED</b>	<b>S13-41806-0K</b>	P6/7/8/P/D/S/V SAE -C KEYED	S23-16539-0K
P6/7/8/P/D/S/V SAE -D SPLINED	S23-15831-0K		
P6/7/8/P/D/D/V SAE -D KEYED	S23-15832-0K		
<b>M6/7/H/V SAE -C SPLINED</b>	<b>S23-16793-0K</b>	<b>M6/7/F/G SAE -C SPLINED</b>	<b>S23-03260-0K</b>
M6/7/H/V SAE -C KEYED	S23-16794-0K	M6/7/F/G SAE -C KEYED	S23-03261-0K
<b>M6/7/H/V SAE -D SPLINED</b>	<b>S23-15831-0K</b>	<b>M6/7/F/G SAE -D SPLINED</b>	<b>S23-15716-0K</b>
M6/7/H/V SAE -D KEYED	S23-15832-0K	M6/7/F/G SAE -D KEYED	S23-15717-0K
P6/7/8/R SAE -C SPLINED	S23-12044-0K	P6/7/F SAE -C SPLINED	S23-03260-0K
P6/7/8/R SAE -C KEYED	S23-12093-0K	P6/7/F SAE -C KEYED	S23-03261-0K
		P6/7/F SAE -D SPLINED	S23-15716-0K
		P6/7/F SAE -D KEYED	S23-15717-0K
<b>P11,14</b>		<b>P11,14</b>	
<b>P11/14/P/S/V SAE -E SPLINED</b>	<b>S13-43968-0K</b>	P11/14/P/S/V SAE -E SPLD	S23-15212-0K
<b>P11/14/P/S/V SAE -E KEYED</b>	<b>S13-43969-0K</b>	<b>P11/14/P/S/V SAE -E KEYED</b>	<b>S23-15213-0K</b>
P11/14/R/L SAE -E SPLINED	S23-16257-0K	P11/14/R/L SAE -E SPLD	S23-16092-0K
P11/14/R/L SAE -E KEYED	S23-16255-0K	P11/14/R/L SAE -E KEYED	S23-16093-0K
<b>P24,30</b>		<b>P24,30</b>	
P24/30/P/S SAE -F SPLINED	S23-12474-0K	P24/30/P/S SAE -F SPLD	S23-15386-0K
<b>P24/30/P/S SAE -F KEYED</b>	<b>S23-12475-0K</b>	<b>P24/30/P/S SAE -F KEYED</b>	<b>S23-15387-0K</b>
P24/30/R/L SAE -F SPLINED	S23-16364-0K	P24/30/R/L SAE -F SPLD	S23-16475-0K
P24/30/R/L SAE -F KEYED	S23-16362-0K	P24/30/R/L SAE -F KEYED	S23-16473-0K
M24/30/F/G/H/V SAE -F SPLINED	S23-12474-0K		
M24/30/F/G/H/V SAE -F KEYED	S23-12475-0K		

## Piston & Shoes

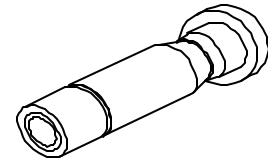
### 1. Pistons, Shoes & Retainer



M6, M7, P6, P7 & P8					
P6F/P/D/R/S	S13-43655-0K	P6V	S13-45375-0K	M6F/G/H/V	S13-45375-0K
P7F/P/D/R/S	S13-42308-0K	P7V	S13-47873-0K	M7F/G/H/V	S13-47873-0K
P8P/R/S/D/F	S21-11650-0K	P8V	S21-11650-0K	M8F	S21-11650-0K
M11, M14, P11 & P14					
P11F/P/R/S	S13-45544-0K	P11V	S13-45544-0K	M11F/G/H/V	S13-45544-0K
P14F/P/R/S	S13-43970-0K	P14V	S13-43970-0K	M14F/G/H/V	S13-43970-0K
M24, M30, P24 & P30					
P24F/P/R/S	S13-44470-0K	M24H/V/F/G	S13-44470-0K		
P30F/P/R/S	S23-12684-0K	M30H/V/F/G	S23-12684-0K		

## Piston & Shoe Sets (no retainer)

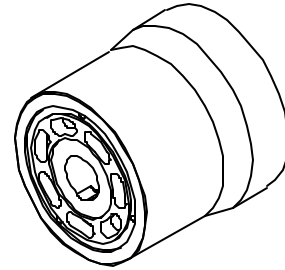
6,7,8,11,14 7 Piston & shoes  
24,30 9 Piston & shoes



P6, P7, P8, M6 & M7		P11, P14, M11 & M14		P24, P30, M24 & M30	
P6, M6	S23-17462-0K	P11, M11	S23-17467-0K	P24, M24	S23-17469-0K
P6V, P6W	S23-17463-0K	P14, M14	S23-17468-0K	P30, M30	S23-17470-0K
P7, M7	S23-17464-0K				
P7V, P7W	S23-17465-0K				
P8P/R/V/D/F	S23-17466-0K				

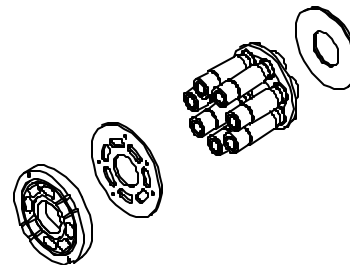
## Barrel and Sleeve Assembly

<b>M6, M7, P6, P7 &amp; P8</b>	
<b>P6V/F/P/D/R/S, M6F/G/H/V</b>	<b>S13-43657-0K</b>
<b>P7V/F/P/D/R/S, M7F/G/H/V</b>	<b>S13-47511-0K</b>
<b>P8V/P/R/S</b>	<b>S23-12718-0K</b>
<b>M11, M14, P11 AND P14</b>	
<b>P11V/F/P/R/S, M11F/G/H/V</b>	<b>S13-45381-0K</b>
<b>P14V/F/P/R/S, M14F/G/H/V</b>	<b>S13-43965-0K</b>
<b>P24/P30, M23/30</b>	
<b>P24F/P/R/S, M24H/V/F/G</b>	<b>S23-12091-0K</b>
<b>P30F/P/R/S, M30H/V/F/G</b>	<b>S23-12170-0K</b>



## Rotating Group (Minor)

1. Face Plate
2. Pistons, Shoes & Retainer
3. Creep Plate
4. Port Plate

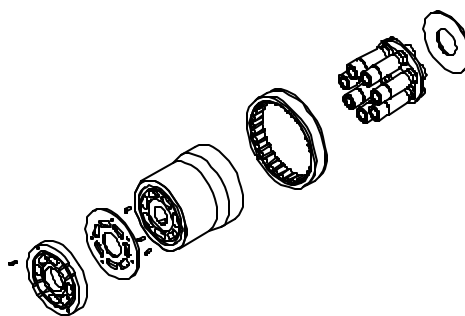


<b>P6,7,8</b>					
<b>P6P/D/R/S</b>	<b>CW</b>	<b>S23-17405-0K</b>	P6V	CW	S23-17411-0K
P6P/D/R/S	CCW	S23-17406-0K	P6V	CCW	S23-17412-0K
<b>P7P/D/R/S</b>	<b>CW</b>	<b>S23-17407-0K</b>	P7V	CW	S23-17413-0K
P7P/D/R/S	CCW	S23-17408-0K	P7V	CCW	S23-17414-0K
P8P/R/S	CW	S23-17409-0K	P8V	CW	S23-17415-0K
P8P/R/S	CCW	S23-17410-0K	P8V	CCW	S23-17416-0K
P6F	CW	S23-17435-0K	<b>M6F/G/H/V</b>		<b>S23-17417-0K</b>
P6F	CCW	S23-17436-0K	<b>M7F/G/H/V</b>		<b>S23-17418-0K</b>
P7F	CW	S23-17437-0K			
P7F	CCW	S23-17438-0K			
<b>P11,14</b>					
<b>P11P/R/S</b>	<b>CW</b>	<b>S23-17419-0K</b>	<b>P11F</b>	<b>CW</b>	<b>S23-17419-0K</b>
P11P/R/S	CCW	S23-17420-0K	P11F	CCW	S23-17420-0K
<b>P14P/R/S</b>	<b>CW</b>	<b>S23-17421-0K</b>	<b>P14F</b>	<b>CW</b>	<b>S23-17421-0K</b>
P14P/R/S	CCW	S23-17422-0K	P14F	CCW	S23-17422-0K
P11V	CW	S23-17423-0K			
P11V	CCW	S23-17424-0K			
P14V	CW	S23-17425-0K			
P14V	CCW	S23-17426-0K			
<b>M11F/G/H/V</b>		<b>S23-17427-0K</b>			
<b>M14F/G/H/V</b>		<b>S23-17428-0K</b>			
<b>P24,30</b>					
<b>P24F/P/R/S</b>	<b>CW</b>	<b>S23-17429-0K</b>			
P24F/P/R/S	CCW	S23-17430-0K			
<b>P30F/P/R/S</b>	<b>CW</b>	<b>S23-17431-0K</b>			
P30F/P/R/S	CCW	S23-17432-0K			
M24H/V/F/G		S23-17433-0K			
M30H/V/F/G		S23-17434-0K			

Note: CW = Clockwise or Right Hand (RH), CCW = Counter Clockwise or Left Hand (LH)

## Rotating Group (Major)

1. Barrel Bearing
2. Barrel & Sleeves
3. Face Plate
4. Face Plate & Port Plate Locating Pins
5. Pistons, Shoes & Retainer
6. Creep Plate
7. Port Plate

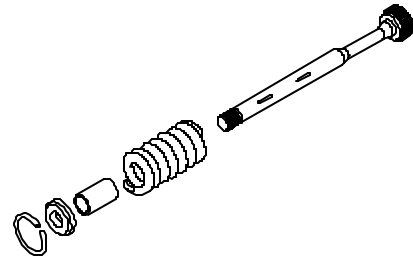


<b>P6,7,8</b>					
<b>P6P/D/R/S</b>	<b>CW</b>	<b>S23-17087-0K</b>	P6V	CW	S23-17093-0K
P6P/D/R/S	CCW	S23-17088-0K	P6V	CCW	S23-17094-0K
<b>P7P/D/R/S</b>	<b>CW</b>	<b>S23-17089-0K</b>	P7V	CW	S23-17095-0K
P7P/D/R/S	CCW	S23-17090-0K	P7V	CCW	S23-17096-0K
P8P/R/S	CW	S23-17091-0K	P8V	CW	S23-17097-0K
P8P/R/S	CCW	S23-17092-0K	P8V	CCW	S23-17098-0K
P6F	CW	S23-17117-0K	<b>M6F/G/H/V</b>		<b>S23-17099-0K</b>
P6F	CCW	S23-17118-0K	<b>M7F/G/H/V</b>		<b>S23-17100-0K</b>
P7F	CW	S23-17119-0K			
P7F	CCW	S23-17120-0K			
<b>P11,14</b>					
<b>P11P/R/S</b>	<b>CW</b>	<b>S23-17101-0K</b>	P11F	CW	S23-17101-0K
P11P/R/S	CCW	S23-17102-0K	P11F	CCW	S23-17102-0K
<b>P14P/R/S</b>	<b>CW</b>	<b>S23-17103-0K</b>	P14F	CW	S23-17103-0K
P14P/R/S	CCW	S23-17104-0K	P14F	CCW	S23-17104-0K
P11V	CW	S23-17105-0K			
P11V	CCW	S23-17106-0K			
P14V	CW	S23-17107-0K			
P14V	CCW	S23-17108-0K			
<b>M11F/G/H/V</b>		<b>S23-17109-0K</b>			
<b>M14F/G/H/V</b>		<b>S23-17110-0K</b>			
<b>P24,30</b>					
<b>P24F/P/R/S</b>	<b>CW</b>	<b>S23-17111-0K</b>			
P24F/P/R/S	CCW	S23-17112-0K			
<b>P30F/P/R/S</b>	<b>CW</b>	<b>S23-17113-0K</b>			
P30F/P/R/S	CCW	S23-17114-0K			
M24H/V/F/G		S23-17115-0K			
M30H/V/F/G		S23-17116-0K			

Note: CW = Clockwise or Right Hand (RH), CCW = Counter Clockwise or Left Hand (LH)

### Barrel Holddown

1. Auxiliary Shaft
2. Barrel Stop (6-14 ONLY)
3. Holddown Spring
4. Spring Retainer (6-14 ONLY)
5. Retaining Ring (6-14 ONLY)



<b>P6,7,8</b>					
<b>Without Rear Drive</b>					
<b>P6/7/8P/D/V</b>	<b>S23-17246-0K</b>	<b>M6H/V</b> <b>M6F/G</b>	<b>S23-17248-0K</b> <b>S23-17249-0K</b>	<b>P6/7F</b>	<b>S23-17249-0K</b>
<b>With Rear Drive</b>					
<b>P6/7/8P/D/S</b>	<b>S23-17247-0K</b>				

<b>P11,14</b>					
<b>Without Rear Drive</b>					
<b>P11/14P/V</b>	<b>S23-17250-0K</b>	<b>M11/14H/V/F/G</b>	<b>S23-17252-0K</b>	<b>P11/14F</b>	<b>S23-17252-0K</b>
<b>With Rear Drive</b>					
<b>P11/14P/S</b>	<b>S23-17251-0K</b>				

### Barrel Holddown


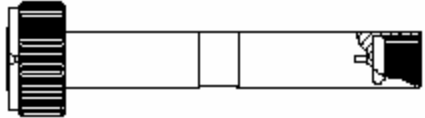
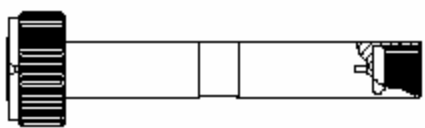

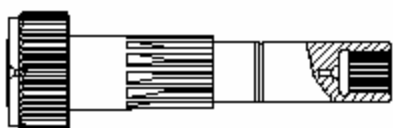
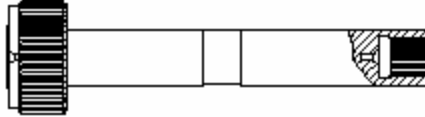
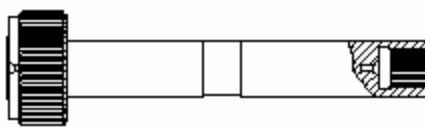

1. Auxiliary Shaft
2. Holddown Spring

<b>P24,30</b>					
<b>Without Rear Drive</b>					
<b>P24P</b>	<b>S23-17253-0K</b>	<b>M24H/V/F/G</b>	<b>S23-17255-0K</b>	<b>P24F</b>	<b>S23-17255-0K</b>
<b>P30P</b>	<b>S23-17254-0K</b>	<b>M30H/V/F/G</b>	<b>S23-17257-0K</b>	<b>P30F</b>	<b>S23-17257-0K</b>
<b>With Rear Drive</b>					
<b>P24P/S</b>	<b>S23-17255-0K</b>				
<b>P30P/S</b>	<b>S23-17256-</b>				

**Note:** These part numbers contain the new design auxiliary drive shaft. It is not compatible with the old coupling. See PI-1207



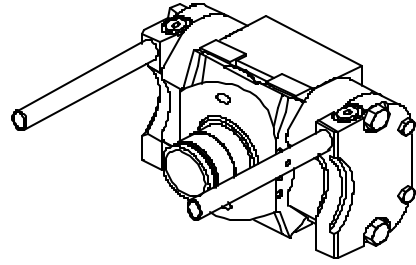
## Auxiliary Drive Shaft Changes P24/30S

<p>Auxiliary Drive Shaft</p>  <p>033-57211-0</p>  <p>033-57935-0</p>	<p>Coupling</p>  <p>033-57214-0 SAE B 033-92374-0 SAE B-B 033-57315-0 SAE C 033-91606-0 SAE D</p>  <p>033-57214-0 SAE B 033-92374-0 SAE B-B 033-57315-0 SAE C 033-91606-0 SAE D</p>	<p>P24 OLD</p> <p><b>Obsolete No Longer Available</b></p> <p>P30 OLD</p>
 <p>033-93535-0</p>  <p>033-93536-0</p>	 <p>033-93537-0 SAE B 033-93541-0 SAE B-B 033-93538-0 SAE C 033-93540-0 SAE D</p>  <p>033-93537-0 SAE B 033-93541-0 SAE B-B 033-93538-0 SAE C 033-93540-0 SAE D</p>	<p>P24 NEW</p> <p>P30 NEW</p>
<p>P24</p> <p>S23-17444-0K SAE B S23-17448-0K SAE B-B S23-17446-0K SAE C S23-17450-0K SAE D</p>	<p>P30</p> <p>S23-17445-0K SAE B S23-17449-0K SAE B-B S23-17447-0K SAE C S23-17451-0K SAE D</p>	<p><b>Kits Containing Both Shafts</b></p>

## Cam and Cradle Stroking Assemblies

1. Cam and Cradle Stroking Assembly
2. Override Tubes

**Note: Viton seals as standard**

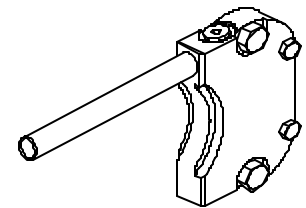


P6,7,8P/S		P6,7,8D/V		P6,7,8R	
<b>CW</b>	<b>S23-17234-5K</b>	<b>CW</b>	<b>S23-17236-5K</b>	CW	S23-17238-5K
CCW	S23-17235-5K	CCW	S23-17237-5K	CCW	S23-17239-5K
M6,7H/V					
BI-DIR	S23-17236-5K				
P11,14P/R/S/V			P24,P30P/R/S		
<b>CW</b>	<b>S23-17240-5K</b>			<b>CW</b>	<b>S23-17242-5K</b>
CCW	S23-17241-5K			CCW	S23-17243-5K
M11,14H/V				M24,M30H/V	
BI-DIR	S23-17240-5K			BI-DIR	S23-17242-5K

## Cam & Stroking Rotation Conversions (CW to CCW)

1. Vane Chamber Covers (2)
2. Override Tubes (2)

<b>P6, P7 &amp; P8</b>	<b>CW to CCW</b>	<b>S23-17231-0K</b>
	CCW TO CW	S23-17313-0K
<b>P11 &amp; P14</b>	<b>CW to CCW</b>	<b>S23-17232-0K</b>
	CCW TO CW	S23-17314-0K
<b>P24 &amp; P30</b>	<b>CW to CCW</b>	<b>S23-17233-0K</b>
	CCW to CW	S23-17315-0K

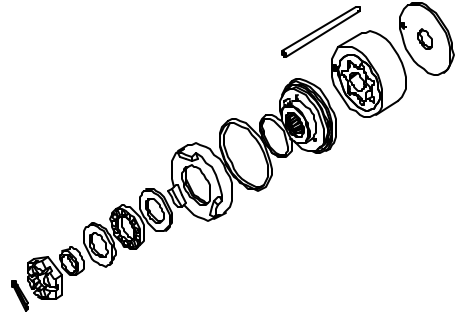


**Note: CW = Clockwise or Right Hand (RH), CCW = Counter Clockwise or Left Hand (LH)**

### Gerotor P6,7,8

**Note: Viton seals as standard**

1. Eccentric & Gerotor
2. Gerotor Side Plate (CW or CCW)
3. Ring Seal
4. Side Plate
5. Thrust Bearing & Washers
6. Gerotor Key
7. Holddown Locking Pin
8. Gaskets

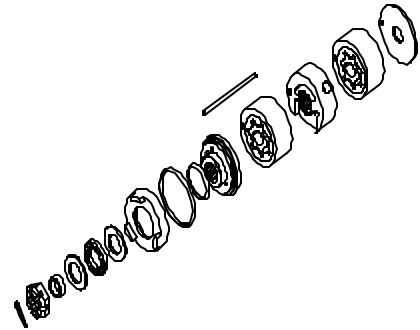


<b>P6,7,8S CW</b>	<b>S23-17045-5K</b>	<b>P6,7,8P/V/D CW</b>	<b>S13-47314-5K</b>
<b>P7,8S CCW</b>	<b>S23-17046-5K</b>	<b>P6,7,8P/V/D CCW</b>	<b>S13-47315-5K</b>

### Gerotor P11,14

**Note: Viton seals as standard**

1. Eccentric & Gerotor
2. Gerotor Side Plate (CW or CCW)
3. Ring Seal
4. Side Plate
5. Thrust Bearing & Washers
6. Gerotor Key
7. Holddown Locking Pin
8. Center Port Plate
9. Gaskets

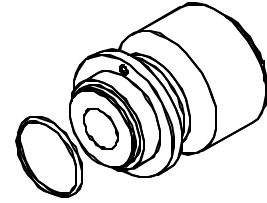


<b>P11,14P/S CW</b>	<b>S23-17043-5K</b>	<b>P11,14V CW</b>	<b>S23-17047-5K</b>
<b>P11,14P/S CCW</b>	<b>S23-17044-5K</b>	<b>P11,14V CCW</b>	<b>S23-17048-5K</b>

**Note: CW = Clockwise or Right Hand (RH), CCW = Counter Clockwise or Left Hand (LH)**

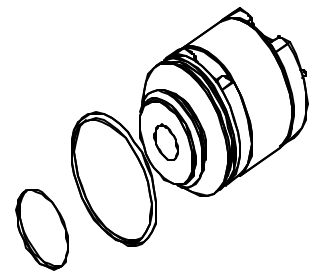
**Blank or Vane Cartridge P24,30**

Example: P24-2R1E-9A2-B00-#00



<b>X</b>	<b>Vane Blank</b>	<b>S23-15102-0K</b>
----------	-------------------	---------------------

Vane Cartridges



0	<b>CW</b>	<b>2.81in<sup>3</sup>/rev (46.1 cc/rev)</b>	<b>S24-11918-⊕</b>
	CCW	2.81in <sup>3</sup> /rev (46.1 cc/rev)	S24-05562-⊕
1	<b>CW</b>	<b>1.64in<sup>3</sup>/rev (26.9 cc/rev)</b>	<b>S24-11789-⊕</b>
	CCW	1.64in <sup>3</sup> /rev (26.9 cc/rev)	S24-51206-⊕
2	<b>CW</b>	<b>1.05in<sup>3</sup>/rev (17.2 cc/rev)</b>	<b>S24-11697-⊕</b>
	CCW	1.05in <sup>3</sup> /rev (17.2 cc/rev)	S24-11778-⊕
3	<b>CW</b>	<b>3.56in<sup>3</sup>/rev (58.3 cc/rev)</b>	<b>S24-05342-⊕</b>
	CCW	3.56in <sup>3</sup> /rev (58.3 cc/rev)	S24-05563-⊖
4	<b>CW</b>	<b>4.84in<sup>3</sup>/rev (79.3 cc/rev)</b>	<b>S24-05509-⊖</b>
	CCW	4.84in <sup>3</sup> /rev (79.3 cc/rev)	S24-05510-⊖
5	<b>CW</b>	<b>5.42in<sup>3</sup>/rev (88.8 cc/rev)</b>	<b>S24-63562-⊖</b>
	CCW	5.42in <sup>3</sup> /rev (88.8 cc/rev)	S24-44844-⊖
6	<b>CW</b>	<b>6.10in<sup>3</sup>/rev (100.0 cc/rev)</b>	<b>S24-63563-⊖</b>
	CCW	6.10in <sup>3</sup> /rev (100.0cc/rev)	S24-63564-⊖

**Note: Add -0 for Buna/Nitrile, -4 for EPR or -5 for Viton in place of ⊖**

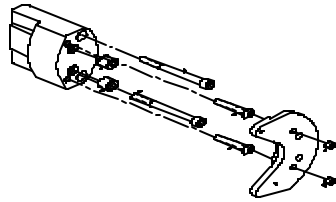
**Note: CW = Clockwise or Right Hand (RH), CCW = Counter Clockwise or Left Hand (LH)**

**Control Side**

**Indicator/Torque Limiter Side**

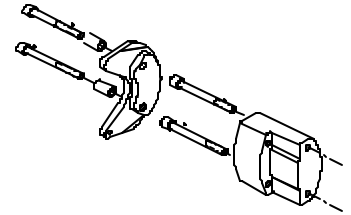
**Input**

1. Screw (HEX HD)
2. Servo Stem
3. Orifice
4. Plate Servo
5. Screw (SOC HD)



**Output**

1. Screw
2. Servo Stem
3. Balance Plate
4. Spacer



<b>Input (Standard Orifice 0.062")</b>		<b>Output (Indicator)</b>
<b>P6/7/8P/S</b>	<b>S23-12681-0K</b>	<b>S23-03383-0K</b>
P6/7/8V	S23-12468-0K	<b>S23-03383-0K</b>
M6/7H/V	S23-12468-0K	<b>S23-03383-0K</b>
<b>P11/14P/S</b>	<b>S23-12276-0K</b>	<b>S23-03782-0K</b>
<b>M11/14H/V</b>	<b>S23-12276-0K</b>	<b>S23-03782-0K</b>
<b>P24/30P/S</b>	<b>S23-15110-0K</b>	<b>S23-03950-0K</b>
<b>M24/30H/V</b>	<b>S23-15110-0K</b>	<b>S23-03950-0K</b>

**Input**

1. Screw (HEX HD)
2. Servo Stem
3. Orifice
4. Plate Servo
5. Screw (SOC HD)

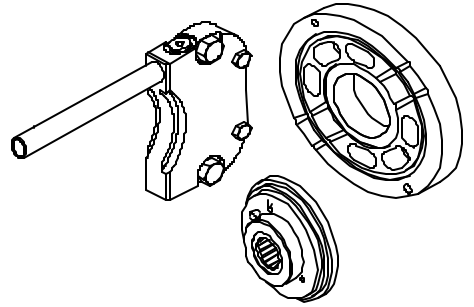
**Output**

1. Screw
2. Servo Stem
3. Balance Plate
4. Spring Feedback
5. Spacer

<b>HI IQ 7F/G Control Input (Orifice 0.043")</b>		<b>Output</b>
P6/7/8 (7F/G)	S23-03382-0K	S23-03922-0K
P11/14 (7F/G)	S23-03781-0K	S23-03948-0K
P24/30 (7F/G)	S23-03951-0K	S23-03949-0K
<b>HI IQ 7D/E Control Input</b>		<b>Output</b>
P6/7/8 (7D/E)	S23-03383-0K	S23-03922-0K
P11/14 (7D/E)	S23-03782-0K	S23-03948-0K
P24/30 (7D/E)	S23-03950-0K	S23-03949-0K
Orifice 0.043"	033-53824-0K	
Orifice 0.062"	033-70819-0K	

## Rotation Conversions

1. Port Plate
2. Vane Chamber Covers (2)
3. Override Tubes (2)
4. Gerotor Side Plate
5. Tag for Orifice Location (P6,7,8,11,14V ONLY)



<b>P6P/S/D</b>		<b>P6V</b>		<b>P6F</b>	
<b>CW TO CCW</b>	<b>S23-16845-0K</b>	CW TO CCW	S23-16847-0K	*CW TO CCW	031-59333-0K
CCW TO CW	S23-16846-0K	CCW TO CW	S23-16848-0K	*CCW TO CW	031-59368-0K
<b>P7P/S/D</b>		<b>P7V</b>		<b>P7F</b>	
<b>CW TO CCW</b>	<b>S23-16849-0K</b>	CW TO CCW	S23-16851-0K	*CW TO CCW	031-54508-0K
CCW TO CW	S23-16850-0K	CCW TO CW	S23-16852-0K	*CCW TO CW	031-54509-0K
<b>* NOTE: CAM HAS TO BE ROTATED 180° TO KEEP "A" PORT AS INLET</b>					
<b>P8P/S/D</b>		<b>P8V</b>			
CW TO CCW	S23-16853-0K	CW TO CCW	S23-16855-0K		
CCW TO CW	S23-16854-0K	CCW TO CW	S23-16856-0K		
<b>P6R</b>		<b>P7R</b>		<b>P8R</b>	
CW TO CCW	S23-16857-0K	CW TO CCW	S23-16859-0K	CW TO CCW	S23-16861-0K
CCW TO CW	S23-16858-0K	CCW TO CW	S23-16860-0K	CCW TO CW	S23-16862-0K
<b>P11P/S</b>		<b>P11V</b>		<b>P11F</b>	
<b>CW TO CCW</b>	<b>S23-16863-0K</b>	CW TO CCW	S23-16865-0K	CW TO CCW	033-71914-0
CCW TO CW	S23-16864-0K	CCW TO CW	S23-16866-0K	CCW TO CW	033-71915-0
<b>P14P/S</b>		<b>P14V</b>		<b>P14F</b>	
<b>CW TO CCW</b>	<b>S23-16867-0K</b>	CW TO CCW	S23-16869-0K	CW TO CCW	033-71600-0K
CCW TO CW	S23-16868-0K	CCW TO CW	S23-16870-0K	CCW TO CW	033-71617-0K
<b>P11R/L</b>		<b>P14R/L</b>			
CW TO CCW	S23-16871-0K	CW TO CCW	S23-16873-0K		
CCW TO CW	S23-16872-0K	CCW TO CW	S23-16874-0K		
<b>P24P/S/R/L</b>		<b>P24F</b>			
<b>CW TO CCW</b>	<b>S23-16875-0K</b>	CW TO CCW	033-71753-0K		
CCW TO CW	S23-16876-0K	CCW TO CW	033-71752-0K		
<b>P30P/S/R/L</b>			<b>P30F</b>		
<b>CW TO CCW</b>	<b>S23-16877-0K</b>	CW TO CCW	033-91237-0K		
CCW TO CW	S23-16878-0K	CCW TO CW	033-91238-0K		
<b>* NOTE: P24/30 PUMPS WITH AN INTERNAL OR EXTERNAL VANE PUMP CARTRIDGE NEED A ROTATION CHANGE</b>					

Note: CW = Clockwise or Right Hand (RH), CCW = Counter Clockwise or Left Hand (LH)

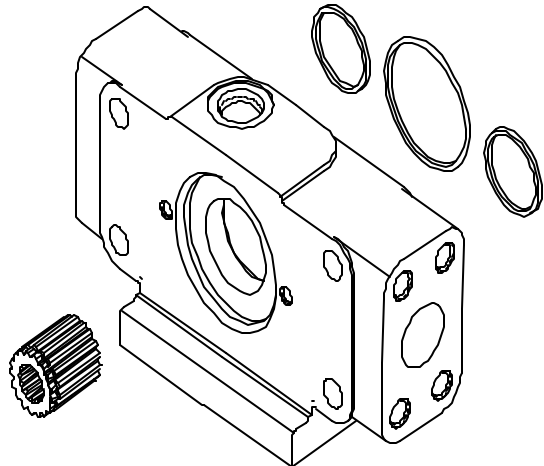
## Rear Drive Adapter Kits

### Required for Units That Already Have a Rear Mounting

1. Adapter
2. Auxiliary Pump to Adapter Gasket
3. Coupling
4. Adapter to Port Block Gasket
5. Valve Block Spacer (P11,14R/L WITH SAE-E ONLY)

**Note: Viton seals as standard**

<b>P6,7,8P/D</b>	
SAE-A	S23-16879-5K
SAE-B	S23-16880-5K
<b>P6,7,8S</b>	
SAE-A	S23-16881-5K
SAE-B	S23-16882-5K
<b>P6,7,8R</b>	
SAE-A	S23-15868-5K
SAE-B	S23-16884-5K
SAE-C	S23-16885-5K

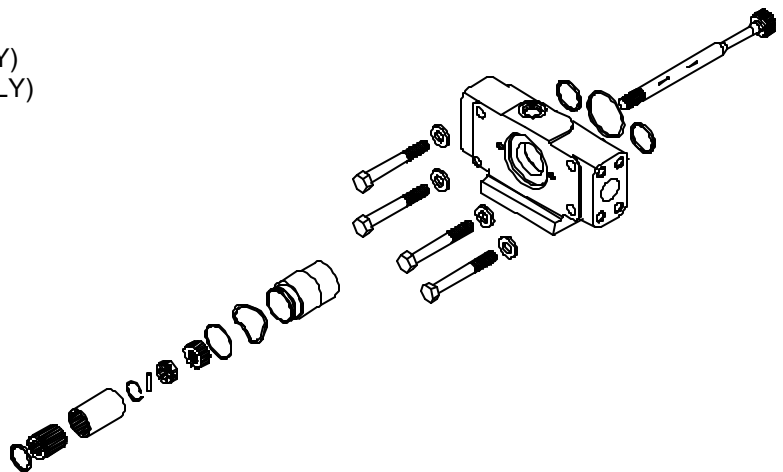


### Required For Units That Do Not Have A Rear Mounting

1. Adapter
2. Auxiliary Pump to Adapter Gaskets
3. Coupling
4. Adapter to Coupling Gaskets
5. Auxiliary Shaft
6. Barrel Holddown Thrust Bearing (P6,7,8 ONLY)
7. Barrel Holddown Thrust Washers (P6,7,8 ONLY)
8. Barrel Holddown Nut
9. Replenish Isolation Sleeve

**Note: Viton seals as standard**

<b>P6,7,8P/D</b>	
SAE-A	S23-12184-5K
SAE-B	S23-12183-5K
<b>P6,7,8S</b>	
SAE-A	S23-12438-5K
SAE-B	S23-12669-5K

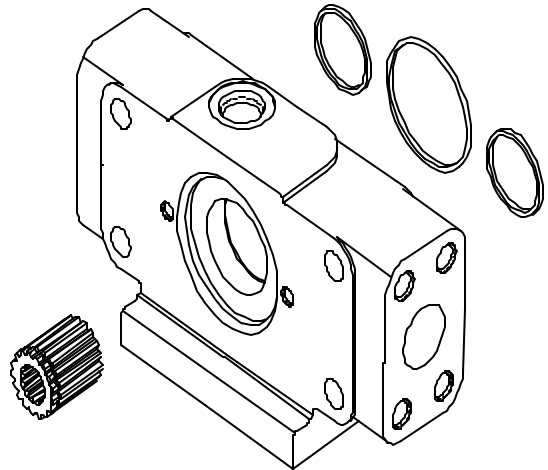


**Required for Units That Already Have a Rear Mounting**

1. Adapter
2. Auxiliary Pump to Adapter Gasket
3. Coupling
4. Adapter to Port Block Gasket
5. Valve Block Spacer (P11,14R/L WITH SAE-E ONLY)

**Note: Viton seals as standard**

<b>P11,14P/D</b>	
SAE-A	S23-16879-5K
SAE-B	S23-16880-5K
<b>P11,14S</b>	
SAE-A	S23-16881-5K
SAE-B	S23-16882-5K
<b>P11,14R/L</b>	
NONE	S23-16249-5K
SAE-A	S23-16250-5K
SAE-B	S23-16251-5K
SAE-C	S23-16252-5K
SAE-D	S23-16253-5K
SAE-E	S23-16886-5K

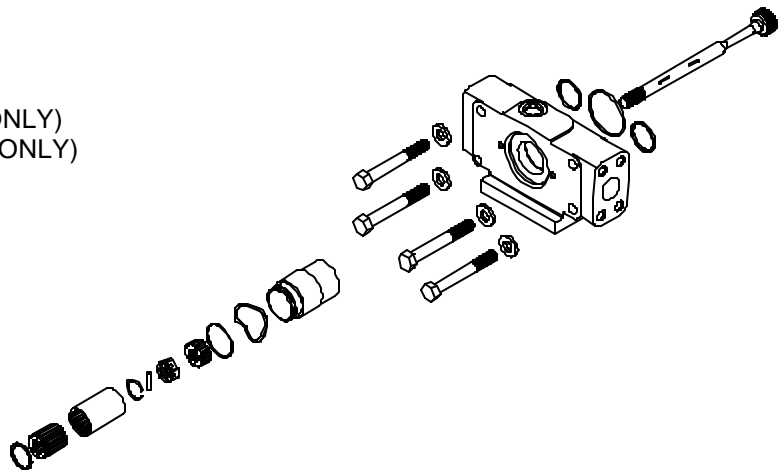


**Required For Units That Do Not Have A Rear Mounting**

1. Adapter
2. Auxiliary Pump to Adapter Gaskets
3. Coupling
4. Adapter to Coupling Gaskets
5. Auxiliary Shaft
6. Barrel Holddown Thrust Bearing (P6,7,8 ONLY)
7. Barrel Holddown Thrust Washers (P6,7,8 ONLY)
8. Barrel Holddown Nut
9. Replenish Isolation Sleeve

**Note: Viton seals as standard**

<b>P11,14P</b>	
SAE-A	S23-12182-5K
SAE-B	S23-12181-5K
<b>P11,14S</b>	
SAE-A	S23-12439-5K
SAE-B	S23-12668-5K



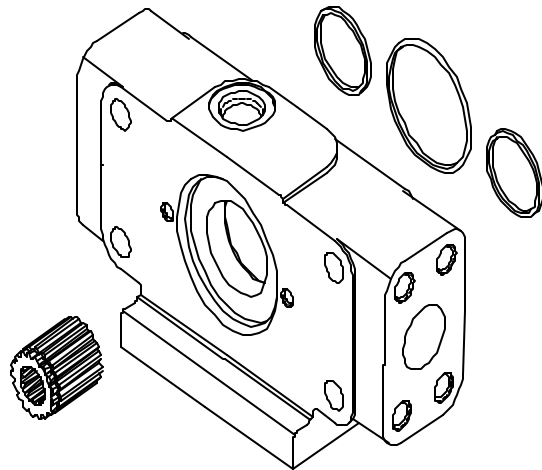


**Required for Units That Already Have a Rear Mounting**

1. Adapter
2. Auxiliary Pump to Adapter Gasket
3. Coupling
4. Adapter to Port Block Gasket
5. Valve Block Spacer (P11,14R/L WITH SAE-E ONLY)

**Note: Viton seals as standard**

<b>P24,30P/S</b>	
SAE-B	S23-16887-5K
SAE-C	S23-16888-5K
<b>P24R/L</b>	
NONE	S21-04526-5K
SAE-B	033-92834-5K
SAE-C	S23-16340-5K
SAE-D	S23-16341-5K
SAE-E	S23-16342-5K
SAE-F	S23-16343-5K
<b>P30R/L</b>	
NONE	S21-04526-5K
SAE-B	S23-16369-0K
SAE-C	S23-16351-5K
SAE-D	S23-16352-5K
SAE-E	S23-16353-5K
SAE-F	S23-16354-5K

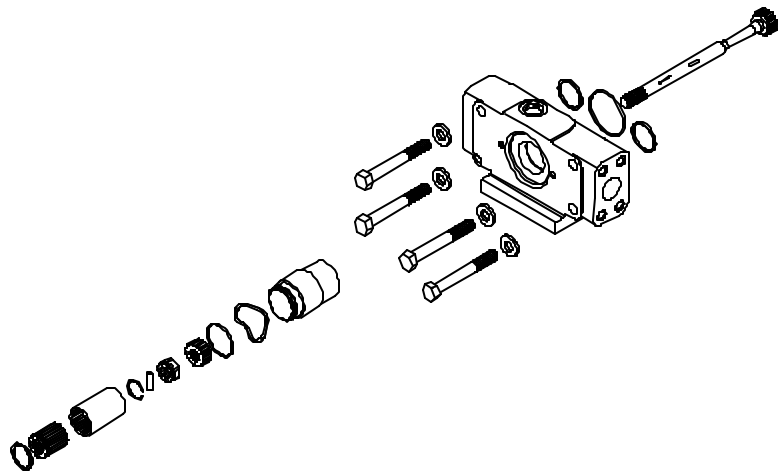


**Required For Units That Do Not Have A Rear Mounting**

1. Adapter
2. Auxiliary Pump to Adapter Gaskets
3. Coupling
4. Adapter to Coupling Gaskets
5. Auxiliary Shaft
6. Barrel Holddown Nut
7. Replenish Isolation Sleeve

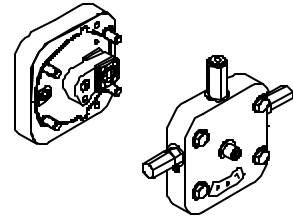
**Note: Viton seals as standard**

<b>P24,30P/S</b>	
SAE-B	S23-15125-5K
SAE-C	S23-15126-5K



## Controls (Input)

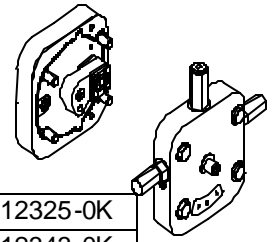
Example: P24-2R1E-#A2-B00-X00



10*	SCREW ADJUSTMENT CCW-A/CW-B	S23-12327-0K
10*	SCREW ADJUSTMENT CCW-B/CW-A	S23-12328-0K
2A*	CYLINDER CONTROL CCW-A/CW-B	S23-12338-0K
2A*	CYLINDER CONTROL CCW-B/CW-A	S23-12340-0K
2A*	CYLINDER CONTROL OFFSET FULL "A" MTG.	S23-12329-0K
2A*	CYLINDER CONTROL OFFSET FULL "B" MTG.	S23-12326-0K
2A*	CYLINDER CONTROL <u>OFFSET MIN</u> "A" MTG.	S23-15207-0K
2A*	CYLINDER CONTROL <u>OFFSET MIN</u> "B" MTG.	S23-12280-0K
2H*	CYLINDER CONTROL 3-POSITION SPRING CENTER	S23-12358-0K
2M*-*00	ELEC. CYL CONTROL SPRING CENTER CCW-A/CW-B	S23-16883-0K
2M*-*00	ELEC. CYL CONTROL SPRING CENTER CCW-B/CW-A	S23-15870-0K
2M*-*01	ELEC. CYL CONTROL SPRING CENTER CCW-B/CW-A	S23-16556-0K
2M*-*02	ELEC. CYL CONTROL SPRING CENTER CCW-A/CW-B	S23-15736-0K
2M*-*02	ELEC. CYL CONTROL SPRING CENTER CCW-B/CW-A	S23-15737-0K
2M*-*03	ELEC. CYL CONTROL SPRING CENTER CCW-A/CW-B	S23-15677-0K
2M*-*03	ELEC. CYL CONTROL SPRING CENTER CCW-B/CW-A	S23-15678-0K
2M*-*05	ELEC. CYL CONTROL SPRING CENTER CCW-A/CW-B	S23-15860-0K
2M*-*05	ELEC. CYL CONTROL SPRING CENTER CCW-B/CW-A	S23-15861-0K
2M*-*00	ELEC. CYL CONTROL SPRING OFFSET TO FULL "A" MTG	S23-16627-0K
2M*-*00	ELEC. CYL CONTROL SPRING OFFSET TO FULL "B" MTG	S23-16628-0K
2M*-*01	ELEC. CYL CONTROL SPRING OFFSET TO FULL "A" MTG	S23-16230-0K
2M*-*01	ELEC. CYL CONTROL SPRING OFFSET TO FULL "B" MTG	S23-16229-0K
2M*-*05	ELEC. CYL CONTROL SPRING OFFSET TO FULL "A" MTG	S23-16134-0K
2M*-*05	ELEC. CYL CONTROL SPRING OFFSET TO FULL "B" MTG	S23-16133-0K
2N*-*00	ELEC. CYL CONTROL SPRING CENTER	S23-15817-0K
2N*-*01	ELEC. CYL CONTROL SPRING CENTER	S23-16377-0K
2N*-*02	ELEC. CYL CONTROL SPRING CENTER	S23-15738-0K
2N*-*03	ELEC. CYL CONTROL SPRING CENTER	S23-15679-0K
2N*-*05	ELEC. CYL CONTROL SPRING CENTER	S23-15821-0K
2N*-*06	ELEC. CYL CONTROL SPRING CENTER	S23-16159-0K
2N*-*07	ELEC. CYL CONTROL SPRING CENTER	S23-16546-0K
40*	ROTARY SERVO SPRING CENTERED LESS VOL STOPS	S23-12344-0K

## Gold Cup

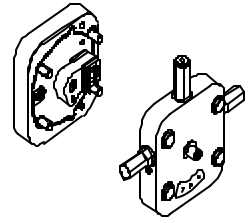
Example: P24-2R1E-#A2-B00-X00



4A*	ROTARY SERVO SPRING CENTERED WITH VOLUME STOPS	S23-12325-0K
4B*	ROTARY SERVO W/BRAKE, NEUTRAL BY-PASS LESS VOLUME STOPS	S23-12343-0K
4C*	ROTARY SERVO W/BRAKE, NEUTRAL BY-PASS WITH VOLUME STOPS	S23-12324-0K
5A*-01	ELEC/HYD STROKER "0" DEADBAND SPRING OFFSET FULL "B" MTG	S23-12418-0K
5A*-01	ELEC/HYD STROKER "0" DEADBANDSPRING OFFSET FULL "A" MTG	S23-12419-0K
5A*-00	ELEC/HYD STROKER W/DEADBAND SPRING CENTER	<b>S23-12413-0K</b>
5A*-01	ELEC/HYD STROKER "0" DEADBAND SPRING CENTER	S23-12415-0K
5C*-00	ELEC/HYD STROKER W/DEADBAND & BRAKE & NEUTRAL BY-PASS	S23-12414-0K
5C*-01	ELEC/HYD STROKER "0" DEADBAND & BRAKE & NEUTRAL BY-PASS	S23-12420-0K
7D*	High IQ with 10 gpm servovalve	Consult factory
7F*	High IQ with 10 gpm servovalve & 4A (rotary servo) control	Consult factory
7J*	High IQ with 4DC01 valve & volume indicator	Consult factory
7K*	High IQ with 4DC01 valve & 4A (rotary servo) control	Consult factory
8A*-00	HYDRAULIC STROKER SPRING CENTER	<b>S23-12268-0K</b>
8A*-01	HYDRAULIC STROKER SPRING CENTER	S23-12760-0K
8A*-02	HYDRAULIC STROKER SPRING CENTER	S23-12630-0K
8A*-03	HYDRAULIC STROKER SPRING CENTER	S23-12529-0K
8A*-04	HYDRAULIC STROKER SPRING CENTER	S23-15065-0K
8A*-00	HYDRAULIC STROKER SPRING CENTER P6,7,8R	S23-12946-0K
8A*-01	HYDRAULIC STROKER SPRING CENTER P6,7,8R	S23-12760-0K
8A*-02	HYDRAULIC STROKER SPRING CENTER P6,7,8R	S23-12630-0K
8A*-03	HYDRAULIC STROKER SPRING CENTER P6,7,8R	S23-15341-0K
8A*-04	HYDRAULIC STROKER SPRING CENTER P6,7,8R	S23-15951-0K
8A*-00	HYDRAULIC STROKER SPRING OFFSET TO FULL "A" MTG.	S23-12271-0K
8A*-00	HYDRAULIC STROKER SPRING OFFSET TO FULL "B" MTG.	S23-12378-0K
8A*-01	HYDRAULIC STROKER SPRING OFFSET TO FULL "A" MTG.	S23-12527-0K
8A*-01	HYDRAULIC STROKER SPRING OFFSET TO FULL "B" MTG.	S23-12526-0K
8A*-00	HYDRAULIC STROKER SPRING OFFSET TO MIN "B" MTG.	S23-15235-0K
8C*-00	HYD STROKER BRAKE NEUTRAL BY-PASS WITH VOLUME STOPS	S23-12820-0K
8C*-02	HYD STROKER BRAKE NEUTRAL BY-PASS WITH VOLUME STOPS	S23-16239-0K
8C*-03	HYD STROKER BRAKE NEUTRAL BY-PASS WITH VOLUME STOPS	S23-16378-0K
*00	ELEC/HYD STROKER W/DEADBAND SPRING CENTER	<b>S23-12667-0K</b>
9A*-01	ELEC/HYD STROKER W/DEADBAND SPRING CENTER	S23-12957-0K
9A*-00	ELEC/HYD STROKER W/DEADBAND SPRING CENTER CCW-A/CW-B	S23-12733-0K
9A*-00	ELEC/HYD STROKER W/DEADBAND SPRING CENTER CCW-B/CW-A	S23-12734-0K
9A*-00	ELEC/HYD STROKER W/DEADBAND SPRING CENTER P6,7,8R	S23-12940-0K
9A*-01	ELEC/HYD STROKER W/DEADBAND SPRING CENTER P6,7,8R	S23-16073-0K
9A*-00	ELEC/HYD STROKER SPRING OFFSET TO FULL "A" MTG.	S23-15050-0K
9A*-00	ELEC/HYD STROKER SPRING OFFSET TO FULL "B" MTG.	S23-15051-0K
9C*-00	ELEC/HYD STROKER W/BRAKE NEUTRAL BY-PASS W/VOL STOPS	S23-12925-0K

**Note: 5A/C & 9A/C Controls have viton seals as standard**

## Gold Cup



**Note: A Pipe Kit may be required to add one of these controls**

Example: P24-2R1E-9A#-B00-X00

*D2	POTENTIOMETER OUTPUT CONTROL	S23-02345-0K
*F2	POTENTIOMETER OUTPUT CONTROL	S23-02345-0K
*E2	RVDT OUTPUT CONTROL	S23-03278-0K
*G2	RVDT OUTPUT CONTROL	S23-03278-0K
**2	VOLUME INDICATOR	S13-42064-0K
**4	DAMPENED TORQUE LIMITER	S23-12299-0K
**4	DAMPENED TORQUE LIMITER CCW-A/CW-B	S23-12298-0K
**4	DAMPENED TORQUE LIMITER CCW-B/CW-A	S23-12300-0K
**6	POTENTIOMETER OUTPUT CONTROL	S23-02345-0K
**8	RVDT OUTPUT CONTROL	S23-03278-0K
Gold Cup Controls (Input Override)		
**5	REVERSE COMPENSATOR M6,7,11,14	S23-00532-0K
**5	REVERSE COMPENSATOR M24,30	S23-12672-0K

### Pipe Kits

<b>"A" or "B" Refer to control side mounting</b>					
	P6,7,8	P11,14	P24C&D MOD	P24 "E" MOD	P30 "B" MOD
Automatic Brake Control (5C)					
CW/CCW -"A"	S23-03063-0K	S23-03070-0K			
CW/CCW -"B"	S23-03064-0K	S23-03069-0K			
8C & 9C					
CW/CCW -"A"	S23-15659-0K	S23-15661-0K			
CW/CCW -"B"	S23-15658-0K	S23-15660-0K			
Torque Limiter **4					
CW - "A"	S23-04112-0K	S23-05641-0K	S23-05690-0K	S23-15547-0K	S23-15551-0K
CW "B"	S23-04113-0K	S23-05645-0K	S23-05691-0K	S23-15548-0K	S23-15493-0K
CCW "A"	S23-04102-0K	S23-05643-0K	S23-05688-0K	S23-15545-0K	S23-15549-0K
CCW "B"	S23-04111-0K	S23-05647-0K	S23-05689-0K	S23-15546-0K	S23-15550-0K
Brake Control +Torque Limiter (ABC + **4)					
CW - "B"				S23-16266-0K	
CCW - "B"				S23-16267-0K	
CW "A"		S23-15689-0K			
CW "B"		S23-15690-0K			



### Part Number Listing

031-54508-OK	KIT 5 EACH 031-54508-0 PORT PLATE	033-57181-OK	KIT 10 EA 033-57181-0 SPRING
031-54509-OK	KIT 1 EA 031-54509-0 PORT PLATE	033-57182-OK	KIT 5 EA 033-57182-0 SPRING STOP
031-57090-OK	KIT 2 EA 031-57090-0 PLUG	033-57214-OK	KIT 1 EA 033-57214-0 COUPLING
031-57296-OK	KIT 2 EA 031-57296-0 SPRING - HELIC	033-57239-OK	KIT 5 EA 033-57239-0 LOCK RING
031-57372-OK	KIT 1 EA 031-57372-0 PORT PLATE	033-57241-OK	KIT 5 EA 033-57241-0 HLDDWN SCREW
031-57476-OK	KIT 2 EA 031-57476-0 RETAINING RING	033-57472-OK	KIT 1 EA 033-57472-0 SEAL RET
031-57993-OK	KIT 2 EA 031-57993-0 SLIDE LINK, THK	033-57475-OK	KIT 5 EA 033-57475-0 PLUG
031-59333-OK	KIT 5 EA 031-59333-0 PORT PLATE	<b>033-57571-OK</b>	<b>KIT 3 EACH 033-57571-0 FACE PLATE</b>
031-59338-OK	KIT 10 EA 031-59338-0 RING	033-57872-OK	KIT 1 EA 033-57872-0 SEAL RET
031-59366-OK	KIT 5 EA 031-59366-0 SPRING	033-57879-OK	KIT 1 EA 033-57879-0 CRADLE
031-59367-OK	KIT 5 EA 031-59367-0 PISTON SEAL	033-57892-OK	KIT 2 EA 033-57892-0 RET SEAL
031-59368-OK	KIT 1 EA 031-59368-0 PORT PLATE	033-57893-OK	KIT 5 EA 033-57893-0 SLEEVE
032-57292-OK	KIT 15 EA 032-57292-0 SPRING - HELIC	033-57933-OK	KIT 2 EA 033-57933-0 TUBE
032-59347-OK	KIT 10 EA 032-59347-0 SPACER	033-57963-OK	KIT 1 EA 033-57963-0 COUPLING
032-91259-OK	KIT 2 EA 032-91259-0 SLIDE LINK	033-57964-OK	KIT 1 EA 033-57964-0 INSERT
032-91270-OK	KIT 2 EA 032-91270-0 STOP BARREL 16	033-59494-OK	KIT 50 EA 033-59494-0 SPRING
032-91305-OK	KIT 5 EA 032-91305-0 SEAL, PISTON	033-59511-OK	KIT 3 EA 033-59511-0 TUBE CONE
032-91429-OK	KIT 5 EA 032-91429-0 KEY 9MM X 14MM	033-59593-OK	KIT 20 EA 033-59593-0 SHIELD
032-91447-OK	KIT 5 EA 032-91447-0 SPRING,INNER TL	033-59747-OK	KIT 10 EA 033-59747-0 FACE PLATE PINS
032-91468-OK	KIT 1 EA 032-91468-0 ADAPTOR	033-59805-OK	KIT 2 EA 033-59805-0 WASHER
032-91599-OK	KIT 5 EA 032-91599-0 THRUST WASHER	033-59806-OK	KIT 5 EA 033-59806-0 SPACER
032-91756-OK	KIT 2 EA 032-91756-0 THRUST WASHER	033-59983-OK	KIT 5 EA 033-59983-0 SPACER
032-91792-OK	KIT 5 EA 032-91792-0 RETAINING RING	033-59984-OK	KIT 5 EA 033-59984-0 SPACER
032-91793-OK	KIT 2 EA 032-91793-0 RETAINING RING	033-70482-OK	KIT 10 EA 033-70482-0 SPRING
032-91794-OK	KIT 5 EA 032-91794-0 RETAINING RING	033-70484-OK	KIT 5 EA 033-70484-0 RET RING
032-91795-OK	KIT 2 EA 032-91795-0 RETAINING RING	033-70488-OK	KIT 5 EA 033-70488-0 RET RING
032-91796-OK	KIT 2 EA 032-91796-0 RETAINING RING	033-70489-OK	KIT 5 EA 033-70489-0 CLAMP
032-91798-OK	KIT 5 EA 032-91798-0 SPRING	033-70490-OK	KIT 5 EA 033-70490-0 RET RING
032-91827-OK	KIT 10 EA 032-91827-0 WASHER, BELLEV	033-70492-OK	KIT 10 EA 033-70492-0 6.0 SPACER
032-91895-OK	KIT 2 EA 032-91895-0 RET RING	033-70495-OK	KIT 5 EA 033-70495-0 WASHER
032-92388-OK	KIT 2 EA 032-92388-0 RETAINING RING	033-70500-OK	KIT 5 EA 033-70500-0 SEAT
032-92806-OK	KIT 3 EA 032-92806-0 PLUG NON ADJ	033-70501-OK	KIT 25 EA 033-70501-0 SEAL VANE
032-93072-OK	KIT 5 EA 032-93072-0 PLUG ORIFCE #55	033-70502-OK	KIT 5 EA 033-70502-0 RING CHK
033-22141-OK	KIT 10 EA 033-22141-0 SPRING	033-70507-OK	KIT 5 EA 033-70507-0 SEAT
033-25528-OK	KIT 10 EA 033-25528-0 ORIFICE	033-70508-OK	KIT 5 EA 033-70508-0 SEAT
033-49825-OK	KIT 10 EA 033-49825-0 PIN	033-70512-OK	KIT 50 EA 033-70512-0 SPRING
033-53776-OK	KIT 5 EA 033-53776-0 PORT PLATE	033-70515-OK	KIT 30 EA 033-70515-0 SPRING
033-53824-OK	KIT 2 EA 033-53824-0 ORIFICE (.043)	033-70519-OK	KIT 10 EA 033-70519-0 VANE SPACER
033-53874-OK	KIT 5 EA 033-53874-0 SERVO PLATE	033-70524-OK	KIT 5 EA 033-70524-0 TUBE
033-53921-OK	KIT 10 EA 033-53921-0 PIN	033-70531-OK	KIT 5 EA 033-70531-0 PRESS PLATE
033-53922-OK	KIT 5 EA 033-53922-0 NUT	033-70535-OK	KIT 2 EA 033-70535-0 6.0 COVER END
033-53923-OK	KIT 10 EA 033-53923-0 RET RING	033-70545-OK	KIT 5 EA 033-70545-0 GUIDE HSG
033-53951-OK	KIT 1 EA 033-53951-0 CRADLE	033-70802-OK	KIT 5 EA 033-70802-0 SEAL VANE
033-53984-OK	KIT 5 EA 033-53984-0 SHIM	033-70803-OK	KIT 50 EA 033-70803-0 CHK VLV
033-54398-OK	KIT 1 EA 033-54398-0 POPPET	033-70816-OK	KIT 25 EA 033-70816-0 HLDDWN VANE
033-54473-OK	KIT 3 EA 033-54473-0 SPOOL	033-70817-OK	KIT 50 EA 033-70817-0 SNAP RING
033-54826-OK	KIT 5 EA 033-54826-0 RET RING	033-70819-OK	KIT 10 EA 033-70819-0 ORIFICE
033-57139-OK	KIT 2 EA 033-57139-0 HOLDDOWN ADJ	033-70841-OK	KIT 5 EA 033-70841-0 PLUG, 6 CIPR
033-57180-OK	KIT 1 EA 033-57180-0 SPOOL	033-70908-OK	KIT 10 EA 033-70908-0 SCREW

Note: **BOLD = 1 week lead time or 24 Hr Emergency. All other items on standard lead time**

## Part Number Listing

033-71086-OK	KIT 25 EA 033-71086-0 SPRING	033-91051-OK	KIT 1 EA 033-91051-0 INSERT
<b>033-71261-OK</b>	<b>KIT 5 EA 033-71261-0 CREEP PLATE</b>	033-91058-OK	KIT 10 EA 033-91058-0 GASKET
033-71312-OK	KIT 5 EA 033-71312-0 STEM	033-91060-OK	KIT 5 EA 033-91060-0 GASKET
033-71348-OK	KIT 10 EA 033-71348-0 KEY	033-91067-OK	KIT 5 EA 033-91067-0 GASKET
033-71490-OK	KIT 10 EA 033-71490-0 SEAL RING	033-91073-OK	KIT 5 EA 033-91073-0 WASHER
<b>033-71492-OK</b>	<b>KIT 5 EA 033-71492-0 SIDE PLATE</b>	033-91076-OK	KIT 5 EA 033-91076-0 GASKET
033-71500-OK	KIT 5 EA 033-71500-0 GEROTOR	033-91079-OK	KIT 5 EA 033-91079-0 GASKET
033-71514-OK	KIT 10 EA 033-71514-0 KEY	033-91082-OK	KIT 5 EA 033-91082-0 GASKET
033-71525-OK	KIT 5 EA 033-71525-0 PORT PLATE	033-91085-OK	KIT 5 EA 033-91085-0 GASKET
<b>033-71526-OK</b>	<b>KIT 5 EA 033-71526-0 PORT PLATE</b>	033-91106-OK	KIT 10 EA 033-91106-0 RET BRG
<b>033-71530-OK</b>	<b>KIT 5 EA 033-71530-0 FACE PLATE</b>	<b>033-91107-OK</b>	<b>KIT 5 EA 033-91107-0 BRL BRG</b>
<b>033-71569-OK</b>	<b>KIT 5 EA 033-71569-0 CREEP PLATE</b>	033-91150-OK	KIT 2 EA 033-91150-0 BRL BRG (BRZ)
<b>033-71575-OK</b>	<b>KIT 5 EA 033-71575-0 FACE PLATE</b>	033-91180-OK	KIT 1 EA 033-91180-0 RING CHECK
033-71600-OK	KIT 1 EA 033-71600-0 PORT PLATE	<b>033-91190-OK</b>	<b>KIT 2 EA 033-91190-0 BRL BRG</b>
033-71608-OK	KIT 5 EA 033-71608-0 BU PLATE	033-91193-OK	KIT 10 EA 033-91193-0 GASKET
033-71609-OK	KIT 5 EA 033-71609-0 TUBE	033-91237-OK	KIT 1 EA 033-91237-0 PORT PLATE
033-71611-OK	KIT 5 EA 033-71611-0 SEAL VANE	<b>033-91238-OK</b>	<b>KIT 1 EA 033-91238-0 PORT PLATE</b>
033-71615-OK	KIT 2 EACH 033-71615-0 CONT CHAMB	033-91249-OK	KIT 20 EA 033-91249-0 PLUG
<b>033-71617-OK</b>	<b>KIT 5 EA 033-71617-0 PORT PLATE</b>	033-91251-OK	KIT 5 EA 033-91251-0 RETAINER
033-71619-OK	KIT 5 EA 033-71619-0 SIDE PLATE	<b>033-91653-OK</b>	<b>KIT 1 EA 033-91653-0 CREEP PLATE</b>
033-71620-OK	KIT 10 EA 033-71620-0 PIN	033-91706-OK	KIT 2 EA 033-91706-0 WASHER-THRUST
033-71641-OK	KIT 20 EACH 033-71641-0 RET RING	033-91712-OK	KIT 1 EA 033-91653-0 CREEP PLATE
033-71726-OK	KIT 2 EA 033-71726-0 SEAL	033-92834-5K	KIT 2 EA 033-91706-0 WASHER-THRUST
033-71727-OK	KIT 1 EA 033-71727-0 VANE SPACER	<b>033-93046-OK</b>	<b>KIT 2 EA 033-93046-0 BRL BRG (STD)</b>
033-71731-OK	KIT 5 EA 033-71731-0 TUBE	033-93765-OK	KIT 1 EA 033-91712-0 CRADLE
<b>033-71748-OK</b>	<b>KIT 5 EA 033-71748-0 FACE PLATE</b>	034-49622-OK	KIT 10 EA 034-49622-0 KEY SQUARE
<b>033-71752-OK</b>	<b>KIT 1 EA 033-71752-0 PORT PLATE</b>	035-11899-OK	KIT 30 EA 035-11899-0 GASKET
033-71753-OK	KIT 1 EA 033-71753-0 PORT PLATE	035-11900-OK	KIT 30 EA 035-11900-0 600 GASKET
033-71757-OK	KIT 2 EA 033-71757-0 CONT CHAMB	035-20101-OK	KIT 100 EA 035-20101-0 KEY
033-71907-OK	KIT 25 EA 033-71907-0 NAME PLATE	035-24906-OK	KIT 10 EA 035-24906-0 GASKET,END CAP
033-71910-OK	KIT 10 EA 033-71910-0 KEY	035-27100-OK	KIT 15 EA 035-27100-0 GASKET
033-71914-OK	KIT 1 EA 033-71914-0 PORT PLATE	035-40751-OK	KIT 10 EA 035-40751-0 GASKET
<b>033-71915-OK</b>	<b>KIT 5 EA 033-71915-0 PORT PLATE</b>	035-48981-OK	KIT 5 EA 035-48981-0 RING
033-71921-OK	KIT 5 EA 033-71921-0 FACE PLATE	035-53452-OK	KIT 10 EA 035-53452-0 WASHER
033-72100-OK	KIT 1 EA 033-72100-0 END COVER	035-53558-OK	KIT 5 EA 035-53558-0 POWER HD. PLUG
033-72101-OK	KIT 10 EA 033-72101-0 SEAL RING	035-71224-OK	KIT 5 EA 035-71224-0 HEX MANUAL VOL
033-72232-OK	KIT 25 EA 033-72232-0 HLDDWN VANE	036-11692-OK	KIT 5 EA 036-11692-0 SEAT
033-72233-OK	KIT 50 EA 033-72233-0 SPRING	036-11694-OK	KIT 5 EA 036-11694-0 PISTON CONTROL
033-72234-OK	KIT 25 EA 033-72234-0 HLDDWN VANE	036-11710-OK	KIT 5 EA 036-11710-0 BLOCK CONTROL
033-72249-OK	KIT 5 EA 033-72249-0 THRST WASH	036-12288-OK	KIT 10 EA 036-12288-0 CONE
033-72258-OK	KIT 5 EA 033-72258-0 SIDE PLATE	036-12289-OK	KIT 10 EA 036-12289-0 SPRING
033-72259-OK	KIT 5 EA 033-72259-0 SIDE PLATE	036-22080-OK	KIT 10 EA 036-22080-0 SPRING 500 PS
033-72266-OK	KIT 2 EA 033-72266-0 CONT CHAMB	036-24504-OK	KIT 20 EA 036-24504-0 KNOB
033-72378-OK	KIT 5 EA 033-72378-0 POPPET	036-27547-OK	KIT 10 EA 036-27547-0 SPRING #4/2.2
033-72379-OK	KIT 5 EA 033-72379-0 POPPET	036-27548-OK	KIT 10 EA 036-27548-0 SPACER
033-72532-OK	KIT 5 EA 033-72532-0 FACE PLATE	036-38443-OK	KIT 5 EA 036-38443-0 SPOOL
033-72693-OK	KIT 10 EA 033-72693-0 SPRING	036-38448-OK	KIT 10 EA 036-38448-0 SPRING 2.2 Bar
<b>033-72811-OK</b>	<b>KIT 5 EA 033-72811-0 PORT PLATE</b>	036-43794-OK	KIT 20 EA 036-43794-0 SPACER
Note: <b>BOLD = 1 week lead time or 24 Hr Emergency. All other items on standard lead time</b>			



## Part Number Listing

036-84933-OK	KIT 30 EA 036-84933-0 SUPPORT BALL	225-92053-OK	KIT 5 EA 225-92053-0 SPRING-DIECO
037-46030-OK	KIT 5 EA 037-46030-0 SCREW	225-92094-OK	KIT 10 EA 225-92094-0 SPRING
037-46035-OK	KIT 5 EA 037-46035-0 SEAL	225-92098-OK	KIT 5 EA 225-92098-0 SPRING, COMPRES
037-46837-OK	KIT 5 EA 037-46837-0 GASKET	225-92101-OK	KIT 5 EA 225-92101-0 SPRING,COMPRESS
037-53983-OK	KIT 10 EA 037-53983-0 SHIM 11/14	225-92114-OK	KIT 20 EA 225-92114-0 SPRING COMP
<b>039-54035-OK</b>	<b>KIT BARREL PV 6</b>	229-10040-OK	KIT 5 EA 229-10040-0 RING
<b>039-54036-OK</b>	<b>KIT BARREL PV10</b>	230-00207-OK	KIT 5 EA 230-00207-0
<b>039-54037-OK</b>	<b>KIT BARREL PV15</b>	230-10028-OK	KIT 5 EA 230-10028-0 BEARING
<b>039-54038-OK</b>	<b>KIT BARREL PV20</b>	230-82094-OK	KIT 5 EA 230-82094-0 BEARING
<b>039-54039-OK</b>	<b>KIT BARREL PV29</b>	230-82095-OK	KIT 5 EA 230-82095-0 BEARING
039-54040-OK	KIT 3 EA 039-54040-0 PORT PLATE CW	230-82096-OK	KIT 10 EA 230-82096-0 BEARING
039-54041-OK	KIT 3 EA 039-54041-0 PORT PLATE CW	230-82099-OK	KIT 5 EA 230-82099-0 BEARING
039-54042-OK	KIT 3 EA 039-54042-0 PORT PLATE CW	230-82126-OK	KIT 10 EA 230-82126-0 BEARING
039-54043-OK	KIT 3 EA 039-54043-0 PORT PLATE CW	<b>230-82131-OK</b>	<b>KIT 10 EA 230-82131-0</b>
039-54044-OK	KIT 3 EA 039-54044-0 PORT PLATE CW	230-82140-OK	KIT 5 EA 230-82140-0
039-54076-OK	KIT 50 EA 039-54076-0 KEY PV10/15	230-82146-OK	KIT 10 EA 230-82146-0
039-54078-OK	KIT 50 EA 039-54078-0 KEY 5/16 SQ	<b>230-82164-OK</b>	<b>KIT 3 EA 230-82164-0</b>
039-54094-OK	KIT 10 EA 039-54094-0 SPRING PV 29	230-82170-OK	KIT 10 EA 230-82170-0
039-54099-OK	KIT 5 EA 039-54099-0 SPRING, HANGER	230-82180-OK	KIT 100 EA 230-82180-0 BEARING
039-54127-OK	KIT 10 EA 039-54127-0 PV15 GASKET	230-82213-OK	KIT 1 EA 230-82213-0
039-54129-OK	KIT 30 EA 039-54129-0 GASKET,PC	230-82214-OK	KIT 2 EA 230-82214-0
039-54241-OK	KIT 25 EA 039-54241-0 NAMEPLATE PV	230-82232-OK	KIT 10 EA 230-82232-0 BEARING
039-54258-OK	KIT 5 EA 039-54258-0 GUIDE BALL REV	233-00001-OK	KIT 25 EA 233-00001-0 WIRE 20 GA LOC
039-57806-OK	KIT 10 EA 039-57806-0 SPRING F COMP	235-00030-OK	KIT 10 EA 235-00030-0 CAP SCREW
039-57952-OK	KIT 5 EA 039-57952-0 SEAT,VALVE TL	235-00050-OK	KIT 30 EA 235-00050-0 LN#9-844006-02
039-59945-OK	KIT 10 EA 039-59945-0 SPRING F & L	303-00005-OK	KIT 25 EA 303-00005-0 SCREW
039-59948-OK	KIT 5 EA 039-59948-0 CONE F & L COM	306-12080-OK	KIT 100 EA 306-12080-0 SCREW
039-91349-OK	KIT 5 EA 039-91349-0 TRUNNION ROLLER	306-12084-OK	KIT 100 EA 306-12084-0 SCREW
039-91350-OK	KIT 2 EA 039-91350-0 TRUNNION ROLLER	306-12104-OK	KIT 25 EA 306-12104-0 SCREW
039-91351-OK	KIT 10 EA 039-91351-0 WEAR PLATE	306-12124-OK	KIT 50 EA 306-12124-0 SCREW
039-91353-OK	KIT 10 EA 039-91353-0 WEAR PLATE	306-12168-OK	KIT 20 EA 306-12168-0 SCREW
039-91354-OK	KIT 10 EA 039-91354-0 WEAR PLATE	306-14104-OK	KIT 100 EA 306-14104-0 SCREW
039-91355-OK	KIT 10 EA 039-91355-0 WEAR PLATE	306-14160-OK	KIT 100 EA 306-14160-0 SCREW, HHC
039-91560-OK	KIT 5 EA 039-91560-0 SPRING SEAT	306-16104-OK	KIT 50 EA 306-16104-0 SCREW
039-93020-OK	KIT 5 EA 039-93020-0 SLEEVE BEARING	306-16124-OK	KIT 100 EA 306-16124-0 SCREW
126-45026-OK	KIT 100 EA 126-45026-0 FT WIRE	306-16204-OK	KIT 100 EA 306-16204-0 SCREW
128-90542-OK	KIT 100 EA 128-90542-0 LOCKNUT 1/2	306-16240-OK	KIT 50 EA 306-16240-0 SCREW, HHC
160-00003-OK	KIT 100 EA 160-00003-0 WIRE NUT	306-18160-OK	KIT 100 EA 306-18160-0 SCREW
160-00004-OK	KIT 20 EA 160-00004-0 WIRE NUT	306-20224-OK	KIT 30 EA 306-20224-0 SCREW
201-06001-OK	KIT 100 EA 201-06001-0	306-40009-OK	KIT 20 EA 306-40009-0
201-08001-OK	KIT 100 EA 201-08001-0 BALL 1/4 CHR	306-40021-OK	KIT 50 EA 306-40021-0
201-14001-OK	KIT 50 EA 201-14001-0 BALL	306-40025-OK	KIT 100 EA 306-40025-0 SCREW
201-24001-OK	KIT 5 EA 201-24001-0 BALL 3/4 CHROM	306-40026-OK	KIT 100 EA 306-40026-0 SCREW
201-28001-OK	KIT 20 EA 201-28001-0 BALL	306-40088-OK	KIT 10 EA 306-40088-0
211-10003-OK	KIT 20 EA 211-10003-0 KEY WF #3	306-40097-OK	KIT 25 EA 306-40097-0 SCREW, HHC
211-11002-OK	KIT 30 EA 211-11002-0 KEY	306-40102-OK	KIT 10 EA 306-40102-0 SCREW, HHC
211-22034-OK	KIT 10 EA 211-22034-0	306-40105-OK	KIT 20 EA 306-40105-0 SCREW, HHC
216-70808-OK	KIT 10 EA 216-70808-0 BUSHING	306-40106-OK	KIT 100 EA 306-40106-0 SCREW, HHC
<b>Note: BOLD = 1 week lead time or 24 Hr Emergency. All other items on standard lead time</b>			



## Part Number Listing

306-40107-OK	KIT 100 EA 306-40107-0 SCREW, HHC	324-21612-OK	KIT 100 EA 324-21612-0 PIN, DOWEL
306-40110-OK	KIT 5 EA 306-40110-0 SCREW, HHC	324-21624-OK	KIT 100 EA 324-21624-0
306-40112-OK	KIT 100 EA 306-40112-0 SCREW	324-22016-OK	KIT 5 EA 324-22016-0 PIN, DOWEL 5/16
306-40113-OK	KIT 20 EA 306-40113-0 SCREW	324-22412-OK	KIT 100 EA 324-22412-0
306-40123-OK	KIT 100 EA 306-40123-0	324-22416-OK	KIT 10 EA 324-22416-0
306-40140-OK	KIT 50 EA 306-40140-0	324-22428-OK	KIT 50 EA 324-22428-0
306-40143-OK	KIT 100 EA 306-40143-0 SCREW, HHC	324-24832-OK	KIT 10 EA 324-24832-0
306-40144-OK	KIT 100 EACH 306-40144-0	325-04040-OK	KIT 100 EA 325-04040-0 PIN, ROLL
306-40166-OK	KIT 50 EA 306-40166-0 SCREW	325-08120-OK	KIT 250 EA 325-08120-0
306-40172-OK	KIT 5 EA 306-40172-0	325-12150-OK	KIT 5 EA 325-12150-0 PIN, ROLL 3/16
306-40184-OK	KIT 50 EA 306-40184-0	325-16100-OK	KIT 100 EA 325-16100-0 ROLL PIN
306-40221-OK	KIT 4 EA 306-40221-0	325-16280-OK	KIT 100 EA 325-16280-0
306-40224-OK	KIT 10 EA 306-40224-0	325-16320-OK	KIT 50 EA 325-16320-0
306-40230-OK	KIT 4 EA 306-40230-0	325-35004-OK	KIT 100 EA 325-35004-0 PIN, ROLL
307-09104-OK	KIT 100 EA 307-09104-0 SCREW	326-61003-OK	KIT 5 EA 326-61003-0 PIN, TAPER
307-13160-OK	KIT 250 EA 307-13160-0	327-16000-OK	KIT 50 EA 327-16000-0 NUT, ACORN
310-02040-OK	KIT 100 EA 310-02040-0 SCREW, RDHDM	327-25006-OK	KIT 250 EA 327-25006-0
310-02101-OK	KIT 100 EA 310-02101-0 SCREW	333-02000-OK	KIT 100 EA 333-02000-0 NUT, HEX MACH
310-06120-OK	KIT 10 EA 310-06120-0 SCREW, RDHDM	333-06000-OK	KIT 100 EA 333-06000-0 NUT
310-08044-OK	KIT 100 EA 310-08044-0 SCREW	333-09000-OK	KIT 100 EA 333-09000-0 NUT, HEX
310-10060-OK	KIT 100 EA 310-10060-0 SCREW 10-24	333-12000-OK	KIT 100 EA 333-12000-0 NUT
310-10340-OK	KIT 100 EA 310-10340-0 SCREW, RDHDM	333-12011-OK	KIT 50 EA 333-12011-0 NUT, HEX
311-16180-OK	KIT 50 EA 311-16180-0 SCREW	333-16000-OK	KIT 50 EA 333-16000-0 NUT, HEX
311-16332-OK	KIT 5 EA 311-16332-0 SCREW, SOCHD	333-20015-OK	KIT 30 EA 333-20015-0 NUT, HEX
311-45013-OK	KIT 50 EA 311-45013-0 SCREW	335-12216-OK	KIT 5 EA 335-12216-0 HEX NUT
311-45015-OK	KIT 25 EA 311-45015-0 SCREW	335-13100-OK	KIT 250 EA 335-13100-0
311-45017-OK	KIT 25 EA 311-45017-0 SCREW, SOCHD	335-13104-OK	KIT 5 EA 335-13104-0 NUT, HEX JAM
311-45053-OK	KIT 50 EA 311-45053-0 SCREW	335-16001-OK	KIT 50 EA 335-16001-0 NUT, HEX JAM
312-09032-OK	KIT 250 EA 312-09032-0	335-50004-OK	KIT 100 EA 335-50004-0 NUT
312-15060-OK	KIT 100 EA 312-15060-0 SCREW	341-15002-OK	KIT 50 EA 341-15002-0 LOCKNUT
312-35051-OK	KIT 5 EA 312-35051-0	343-00004-OK	KIT 10 EA 343-00004-0 BOLT, U 3/8-16
316-50000-OK	KIT 50 EA 316-50000-0 SCREW FLAT HD	344-02024-OK	KIT 10 EA 344-02024-0 WASHER
317-02120-OK	KIT 100 EA 317-02120-0 SCREW	345-02016-OK	KIT 25 EA 345-02016-0 WASHER
317-06266-OK	KIT 10 EA 317-06266-0 SCREW	345-10020-OK	KIT 250 EA 345-10020-0
317-10320-OK	KIT 10 EA 317-10320-0 SCREW	346-02016-OK	KIT 50 EA 346-02016-0 LOCKWASHER
320-10203-OK	KIT 250 EA 320-10203-0	346-02032-OK	KIT 100 EA 346-02032-0 LOCKWASHER
322-03220-OK	KIT 100 EA 322-03220-0 COTTER PIN	346-10004-OK	KIT 100 EA 346-10004-0 LOCKWASHER
322-04324-OK	KIT 100 EA 322-04324-0	346-10010-OK	KIT 100 EA 346-10010-0 LOCKWASHER
323-82001-OK	KIT 30 EA 323-82001-0 PIN, DRIVE LOK	346-10020-OK	KIT 100 EA 346-10020-0 LOCKWASHER
323-82004-OK	KIT 10 EA 323-82004-0 DRIV-LOK PIN	346-10024-OK	KIT 50 EA 346-10024-0 LOCKWASHER
323-82010-OK	KIT 5 EA 323-82010-0 PIN, DRIVE LOK	346-10080-OK	KIT 50 EA 346-10080-0 LOCKWASHER
323-82014-OK	KIT 50 EA 323-82014-0 PIN, DRIVE LOK	346-13032-OK	KIT 50 EA 346-13032-0 LOCKWASHER
324-20810-OK	KIT 100 EA 324-20810-0	348-02006-OK	KIT 100 EA 348-02006-0 LOCKWASHER
324-21225-OK	KIT 10 EA 324-21225-0	348-10004-OK	KIT 100 EA 348-10004-0 LOCKWASHER
324-21608-OK	KIT 100 EA 324-21608-0	348-10016-OK	KIT 250 EA 348-10016-0
324-21610-OK	KIT 100 EA 324-21610-0	348-10040-OK	KIT 100 EA 348-10040-0 LOCKWASHER
<b>Note: BOLD = 1 week lead time or 24 Hr Emergency. All other items on standard lead time</b>			

### Part Number Listing

348-15002-OK	KIT 100 EA 348-15002-0 LOCKWASHER	359-11140-OK	KIT 50 EA 359-11140-0
350-03018-OK	KIT 5 EA 350-03018-0 WASHER, THRUST	359-13160-OK	KIT 100 EA 359-13160-0
350-10005-OK	KIT 30 EA 350-10005-0 WASHER, W0618-0	359-15126-OK	KIT 20 EA 359-15126-0 SCREW, SHC
350-10049-OK	KIT 30 EA 350-10049-0 WASHER, THRUST	359-15220-OK	KIT 10 EA 359-15220-0
350-10053-OK	KIT 20 EA 350-10053-0 WASHER, THRUST	361-08284-8K	KIT 100 EA 361-08284-8 SHCS M6X60M
<b>350-10065-OK</b>	<b>KIT 25 EA 350-10065-0</b>	431-90104-OK	KIT 100 EA 431-90104-0
<b>350-10081-OK</b>	<b>KIT 5 EA 350-10081-0</b>	431-90400-OK	KIT 50 EA 431-90400-0 HEX SOC PLUG
350-10097-OK	KIT 5 EA 350-10097-0 WASHER, FLAT	431-90404-OK	KIT 100 EA 431-90404-0
350-10109-OK	KIT 100 EA 350-10109-0	431-90600-OK	KIT 50 EA 431-90600-0 HEX SOC PLUG
350-10122-OK	KIT 50 EA 350-10122-0 WASHER, FLAT	431-91200-OK	KIT 5 EA 431-91200-0 HEX SOC PLUG 3/
350-10135-OK	KIT 50 EA 350-10135-0	431-92500-OK	KIT 10 EA 431-92500-0 HEX SOC PLUG-F
350-10136-OK	KIT 100 EA 350-10136-0	433-90402-OK	KIT 10 EA 433-90402-0 BUSHING
353-25018-OK	KIT 50 EA 353-25018-0	433-91208-OK	KIT 10 EA 433-91208-0 HEX BSHG
353-25023-OK	KIT 100 EA 353-25023-0	447-00028-OK	KIT 10 EA 447-00028-0
353-25041-OK	KIT 25 EA 353-25041-0	449-00016-OK	KIT 100 EA 449-00016-0
353-25073-OK	KIT 100 EA 353-25073-0	473-15002-OK	KIT 5 EA 473-15002-0 ELBOW
353-25078-OK	KIT 250 EA 353-25078-0	482-55001-OK	KIT 10 EA 482-55001-0 CAP
353-25079-OK	KIT 50 EA 353-25079-0 SCREW	482-55004-OK	KIT 10 EA 482-55004-0 CAP
356-15885-OK	KIT 30 EA 356-15885-0 RING, SNAP	488-35001-OK	KIT 20 EA 488-35001-0
356-30244-OK	KIT 30 EA 356-30244-0 RING	488-35003-OK	KIT 10 EA 488-35003-0
356-65013-OK	KIT 10 EA 356-65013-0	488-35004-OK	KIT 5 EA 488-35004-0 PLUG 6 P5ON-SS
356-65053-OK	KIT 5 EA 356-65053-0 RING, EATON	488-35009-OK	KIT 5 EA 488-35009-0 PLUG 16 P5 N-S
356-65082-OK	KIT 20 EA 356-65082-0	488-35014-OK	KIT 10 EA 488-35014-0
356-65096-OK	KIT 5 EA 356-65096-0 RING	488-35030-OK	KIT 5 EA 488-35030-0 PLUG 14P5N-S PL
356-65128-OK	KIT 50 EA 356-65128-0 RING	488-35038-OK	KIT 10 EA 488-35038-0 PLUG 16HP5N-S
358-06060-OK	KIT 100 EA 358-06060-0 SCREW	488-35041-OK	KIT 20 EA 488-35041-0
358-06146-OK	KIT 20 EA 358-06146-0 SCREW, SHC	488-35062-OK	KIT 5 EA 488-35062-0 PLUG SAE 24
358-08164-OK	KIT 30 EA 358-08164-0 SCREW	492-15006-OK	KIT 10 EA 492-15006-0 CONNECTOR
358-10180-OK	KIT 100 EA 358-10180-0	492-15015-OK	KIT 5 EA 492-15015-0 CONNECTOR
358-10200-OK	KIT 100 EA 358-10200-0 SCREW	492-15018-OK	KIT 5 EA 492-15018-0 ELBOW
358-12120-OK	KIT 250 EA 358-12120-0	492-15027-OK	KIT 10 EA 492-15027-0 CONNECTOR
358-12122-OK	KIT 5 EA 358-12122-0 SCREW, SHC	492-15031-OK	KIT 5 EA 492-15031-0 REDUCER
358-12140-OK	KIT 100 EA 358-12140-0 SCREW	492-15035-OK	KIT 5 EA 492-15035-0 CONNECTOR
358-12200-OK	KIT 100 EA 358-12200-0	492-15045-OK	KIT 30 EA 492-15045-0 CONNECTOR
358-12306-OK	KIT 20 EA 358-12306-0 SCREW	492-15057-OK	KIT 10 EA 492-15057-0 NUT (8-BU-S)
358-14106-OK	KIT 100 EA 358-14106-0	492-15058-OK	KIT 10 EA 492-15058-0 SLEEVE
358-14200-OK	KIT 100 EA 358-14200-0 SCREW	492-15086-OK	KIT 10 EA 492-15086-0 CONNECTOR
358-14400-OK	KIT 10 EA 358-14400-0 SCREW, SHC	492-15171-OK	KIT 5 EA 492-15171-0 UNION (12WBU-S)
358-16260-OK	KIT 25 EA 358-16260-0	492-15173-OK	KIT 5 EA 492-15173-0 UNION (6WBU-S)
358-16280-OK	KIT 50 EA 358-16280-0 SCREW, SHC	498-00005-OK	KIT 5 EA 498-00005-0 ELBOW
358-18160-OK	KIT 100 EA 358-18160-0 SCREW, SHC	498-00007-OK	KIT 5 EA 498-00007-0 ELBOW
358-20280-OK	KIT 25 EA 358-20280-0	498-00015-OK	KIT 5 EA 498-00015-0 ELBOW
358-20340-OK	KIT 30 EA 358-20340-0 SCREW, SHC	498-00035-OK	KIT 5 EA 498-00035-0 FITTING
358-24340-OK	KIT 10 EA 358-24340-0 SCREW	517-00086-OK	KIT 2 EA 517-00086-0 COIL, 24 VDC
358-26240-OK	KIT 10 EA 358-26240-0	517-00087-OK	KIT 2 EA 517-00087-0 COIL, 12 VDC
358-26300-OK	KIT 10 EA 358-26300-0 SCREW	605-00917-8K	KIT 5 EA 605-00917-8 RING QUAD
359-09160-OK	KIT 50 EA 359-09160-0 SCREW, SHC	605-10001-OK	KIT 25 EA 605-10001-0 RING, DYNASEAL
359-09180-OK	KIT 100 EA 359-09180-0	605-10016-OK	KIT 5 EA 605-10016-0 O RING, #5-905
359-09240-OK	KIT 100 EA 359-09240-0	605-10026-OK	KIT 20 EA 605-10026-0 RING, QUAD

Note: **BOLD = 1 week lead time or 24 Hr Emergency. All other items on standard lead time**

## Part Number Listing

605-10056-OK	KIT 100 EA 605-10056-0 O RING	671-00213-OK	KIT 30 EA 671-00213-0 O RING, 70 S-1
605-10058-OK	KIT 100 EA 605-10058-0 O RING	671-00223-OK	KIT 100 EA 671-00223-0
605-10058-5K	KIT 10 EA 605-10058-5 O-RING METRIC	671-00224-OK	KIT 100 EA 671-00224-0 O RING, 70
606-25027-OK	KIT 50 EA 606-25027-0 GROMMET	671-00225-OK	KIT 50 EA 671-00225-0 O RING, 70 S-1
606-25036-OK	KIT 25 EA 606-25036-0	671-00229-OK	KIT 100 EA 671-00229-0 O RING, 70
606-25040-OK	KIT 5 EA 606-25040-0	671-00237-OK	KIT 100 EA 671-00237-0
620-50291-OK	KIT 5 EA 620-50291-0 SEAL, SHAFT 1	671-00238-OK	KIT 100 EA 671-00238-0
620-82012-OK	KIT 5 EA 620-82012-0 SEAL LIP S1	671-00239-OK	KIT 10 EA 671-00239-0
620-82017-OK	KIT 10 EA 620-82017-0 SEAL, DYNA	671-00240-OK	KIT 30 EA 671-00240-0 O RING, 70 S-1
620-82043-OK	KIT 5 EA 620-82043-0 SEAL, SHAFT 1	671-00242-OK	KIT 50 EA 671-00242-0
620-82066-OK	KIT 5 EA 620-82066-0	671-00244-OK	KIT 100 EA 671-00244-0 O RING, 70
620-82091-OK	KIT 5 EA 620-82091-0 SEAL, SHAFT	671-00246-OK	KIT 50 EA 671-00246-0
620-82092-OK	KIT 5 EA 620-82092-0 SEAL, SHAFT NOK	671-00249-OK	KIT 50 EA 671-00249-0
620-82093-OK	KIT 5 EA 620-82093-0 SEAL, SHAFT NOK	671-00251-OK	KIT 50 EA 671-00251-0
623-00006-OK	KIT 5 EA 623-00006-0	671-00257-OK	KIT 50 EA 671-00257-0 O RING, 70 S-1
623-00016-OK	KIT 5 EA 623-00016-0	671-00267-OK	KIT 10 EA 671-00267-0 O RING, 70 S-1
628-06001-OK	KIT 25 EA 628-06001-0 LEAD SEAL	671-00339-OK	KIT 50 EA 671-00339-0 O RING, 70 S-1
631-45002-OK	KIT 100 EA 631-45002-0 WASHER, NYL	671-00453-OK	KIT 10 EA 671-00453-0 O RING, 70 S-1
631-45003-OK	KIT 100 EA 631-45003-0	671-00903-OK	KIT 100 EA 671-00903-0 O RING, 70
631-45007-OK	KIT 100 EA 631-45007-0	671-00904-OK	KIT 250 EA 671-00904-0
635-00002-OK	KIT 30 EA 635-00002-0 THREADSEAL 750	671-00906-OK	KIT 50 EA 671-00906-0 O-RING 70 S-1
635-00002-4K	KIT 5 EA 635-00002-4 THREADSEAL 7500	671-00910-OK	KIT 100 EA 671-00910-0 O RING, 70
635-00002-5K	KIT 5 EA 635-00002-5 THREADSEAL 7500	671-00912-OK	KIT 100 EA 671-00912-0
635-00006-OK	KIT 10 EA 635-00006-0 THREADSEAL 750	671-00916-OK	KIT 25 EA 671-00916-0 O RING, 70 S-1
635-00010-OK	KIT 10 EA 635-00010-0 THREADSEAL 750	674-00903-OK	KIT 10 EA 674-00903-0
636-62000-OK	KIT 10 EA 636-62000-0 STAT-O-SEAL	674-00906-OK	KIT 25 EA 674-00906-0
671-00007-OK	KIT 100 EA 671-00007-0 O RING, 70	674-00908-OK	KIT 25 EA 674-00908-0
671-00008-OK	KIT 100 EA 671-00008-0 O RING, 70	674-00910-OK	KIT 25 EA 674-00910-0
671-00013-OK	KIT 250 EA 671-00013-0	674-00916-OK	KIT 25 EA 674-00916-0
671-00014-OK	KIT 250 EA 671-00014-0	675-00012-OK	KIT 100 EA 675-00012-0
671-00017-OK	KIT 250 EA 671-00017-0	675-00129-OK	KIT 25 EA 675-00129-0
671-00026-OK	KIT 100 EA 671-00026-0 O RING, 70	675-00249-OK	KIT 10 EA 675-00249-0
671-00033-OK	KIT 50 EA 671-00033-0	675-00274-OK	KIT 5 EA 675-00274-0 O RING, 70 S-5
671-00043-OK	KIT 100 EA 671-00043-0	676-00014-OK	KIT 10 EA 676-00014-0 O RING, S-6 AR
671-00044-OK	KIT 100 EA 671-00044-0	676-00210-OK	KIT 30 EA 676-00210-0 O RING, S-6 AR
671-00048-OK	KIT 50 EA 671-00048-0	676-00236-OK	KIT 10 EA 676-00236-0 O RING, S-6 AR
671-00050-OK	KIT 50 EA 671-00050-0	676-00908-OK	KIT 25 EA 676-00908-0 O RING, S-6 AR
671-00111-OK	KIT 250 EA 671-00111-0	679-00005-OK	KIT 5 EA 679-00005-0 GLYD RING
671-00114-OK	KIT 10 EA 671-00114-0 O RING, 70 S-1	679-00018-OK	KIT 5 EA 679-00018-0 GLYD RING
671-00117-OK	KIT 100 EA 671-00117-0 O RING, 70	691-00008-OK	KIT 100 EA 691-00008-0
671-00120-OK	KIT 100 EA 671-00120-0 O RING, 70	691-00026-OK	KIT 100 EA 691-00026-0
671-00125-OK	KIT 50 EA 671-00125-0 O RING, 70 S-1	691-00113-OK	KIT 50 EA 691-00113-0 O RING, 90 S-1
671-00144-OK	KIT 100 EA 671-00144-0	691-00120-OK	KIT 250 EA 691-00120-0
671-00147-OK	KIT 100 EA 671-00147-0	691-00125-OK	KIT 100 EA 691-00125-0
671-00152-OK	KIT 50 EA 671-00152-0	691-00128-OK	KIT 100 EA 691-00128-0
671-00155-OK	KIT 50 EA 671-00155-0	691-00213-OK	KIT 50 EA 691-00213-0 O RING, 90 S-1
671-00159-OK	KIT 50 EA 671-00159-0	691-00221-OK	KIT 100 EA 691-00221-0 O RING, 90
671-00212-OK	KIT 50 EA 671-00212-0 O RING, 70 S-1	691-00227-OK	KIT 50 EA 691-00227-0 O RING, 90 S-1
<b>Note: BOLD = 1 week lead time or 24 Hr Emergency. All other items on standard lead time</b>			

### Part Number Listing

691-00238-OK	KIT 25 EA 691-00238-0	S21-04526-5K	KIT OPERATING COVER ASSY
691-00902-OK	KIT 250 EA 691-00902-0	S21-05997-0K	KIT SEAL P_W ROTARY SERVO S1
691-00905-OK	KIT 250 EA 691-00905-0	S21-05998-0K	KIT SEAL P_W HYD.STROKER S1
691-00920-OK	KIT 50 EA 691-00920-0	S21-05999-0K	KIT SEAL P_W E.H.STROKER S1
691-00932-OK	KIT 50 EA 691-00932-0	<b>S21-06000-0K</b>	<b>KIT SEAL C**T**L** **0**P** WC</b>
691-10131-OK	KIT 10 EA 691-10131-0	<b>S21-06000-4K</b>	<b>KIT SEAL C**T**L** **0**P**T WC</b>
691-10214-OK	KIT 10 EA 691-10214-0	<b>S21-11377-0K</b>	<b>KIT SHAFT, KEYED P6/P7W</b>
691-10221-OK	KIT 25 EA 691-10221-0	<b>S21-11378-0K</b>	<b>KIT SHAFT,SPLINED P6/P7W</b>
691-10226-OK	KIT 20 EA 691-10226-0 TETRASEAL 90	S21-11415-0K	KIT SHAFT,KEYED P*W SAE B MTG
691-10228-OK	KIT 10 EA 691-10228-0	S21-11416-0K	KIT SHAFT SPL ASSY P6/P7W B MTG
695-00012-OK	KIT 20 EA 695-00012-0	S21-11447-0K	KIT SHFT KEY BB 2*** WC P6/P7/P8W
695-00013-OK	KIT 100 EA 695-00013-0	S21-11448-0K	KIT SHFT SPL BB 1*** WC P6/P7/P8W
695-00210-OK	KIT 40 EA 695-00210-0 O RING, 90 S-5	S21-11505-0K	KIT SHAFT & BEARING
695-10011-OK	KIT 20 EA 695-10011-0 TETRASEAL 70	<b>S21-11544-0K</b>	<b>KIT SEAL,P_W BASIC</b>
695-20238-OK	KIT 5 EA 695-20238-0 RING,SQ	S21-11544-4K	KIT SEAL,P_W BASIC
S13-40265-OK	KIT VANE SEAL CART	S21-11544-5K	KIT SEAL P W BASIC
S13-40266-OK	KIT 5 EA S13-40266-0 CHECK VALVE	S21-11557-0K	KIT SHAFT KEYED,C/D REAR DRIVE WC
<b>S13-41805-OK</b>	<b>KIT SPLINE SHFT &amp; BRG, 6,7,8</b>	S21-11558-0K	KIT SPLINE SHAFT WC (C/D)
<b>S13-41806-OK</b>	<b>KIT KEYED SHFT &amp; BRG, 6,7,8</b>	S21-11560-0K	KIT ROTARY SERVO CONTROL
S13-42064-OK	KIT OUTPUT CONTROL **2 VOL IND	S21-11608-0K	KIT ROTARY SERVO CONTROL
<b>S13-42308-OK</b>	<b>KIT RETAINER PISTON &amp; SHOE, 7.25</b>	<b>S21-11619-0K</b>	<b>KIT COMPENSATOR 'C' P*W</b>
S13-42335-OK	KIT HOUSING AND BEARING 6/7	S21-11640-0K	KIT COMP CONT LOAD SENSING
S13-42402-OK	KIT 5 EA S13-42402-0 PRESS FD TB 6/7	S21-11648-0K	KIT BARREL & SLVS 8.0 W/C
S13-42403-OK	KIT 5 EA S13-42403-0 PRESS FD TB 6/7	S21-11650-0K	KIT RETAINER PISTON & SHOE, 8.0
S13-43240-OK	KIT 5 EA S13-43240-0 STRAINER	S21-11651-0K	KIT COMP CONT W/TORQ LIMITER
S13-43334-OK	KIT 5 EA S13-43334-0 GEROTOR	S21-12237-0K	KIT HANGER & DOWEL PINS
<b>S13-43655-OK</b>	<b>KIT RETAINER PISTON &amp; SHOE, 6.0</b>	S21-12285-0K	KIT HYD. STROKER P*W - CCW S-1
<b>S13-43657-OK</b>	<b>KIT 1 EACH S13-43657-0 BARREL 6.0</b>	S21-12286-0K	KIT HYD. STROKER P*W - CW S-1
S13-43963-OK	KIT 5 EA S13-43963-0 CTR PORT PLATE	S21-12307-0K	KIT ELEC HYD CONT. P*W- CW S-1
<b>S13-43965-OK</b>	<b>KIT 1 EACH S13-43965-0 BARREL 14</b>	S21-12308-0K	KIT ELEC HYD CONT. P*W- CCW S-1
<b>S13-43968-OK</b>	<b>KIT SPLINE SHFT &amp; BRG</b>	S21-12361-0K	KIT CAP,MAX VOL ADJ S-1 SEALS WC
<b>S13-43969-OK</b>	<b>KIT KEY SHFT &amp; BRG</b>	S21-12449-0K	KIT SERVICE KIT, B MOD WC
<b>S13-43970-OK</b>	<b>KIT RETAINER, PIST &amp; SHOE 14</b>	S21-17395-0K	KIT COMP CONT LOAD SNS P*W WC
<b>S13-44302-OK</b>	<b>KIT SHAFT SEAL 6,7</b>	<b>S21-17702-0K</b>	<b>KIT ROT NO BARREL CW P6W</b>
<b>S13-44470-OK</b>	<b>KIT RETAINER, PISTON &amp; SHOE 24</b>	S21-17703-0K	KIT ROT NO BARREL CCW P6W
<b>S13-45375-OK</b>	<b>KIT RETAINER, PISTON &amp; SHOE, 6.0 LW</b>	<b>S21-17704-0K</b>	<b>KIT ROT NO BARREL CW P7W</b>
<b>S13-45381-OK</b>	<b>KIT 1 EACH S13-45381-0 BARREL 11</b>	S21-17705-0K	KIT ROT NO BARREL CCW P7W
<b>S13-45544-OK</b>	<b>KIT RETAINER, PISTON &amp; SHOE 11</b>	S21-17706-0K	KIT ROT NO BARREL CW P8W
<b>S13-46762-OK</b>	<b>KIT 5 EA S13-46762-0 GEROT PLT CW</b>	S21-17707-0K	KIT ROT NO BARREL CCW P8W
S13-46763-OK	KIT 5 EA S13-46763-0 GEROT PLT CCW	<b>S21-17714-0K</b>	<b>KIT BARREL HOLDDOWN P*W</b>
<b>S13-47314-5K</b>	<b>KIT CW GEROTOR REPAIR, 6,7P/V/D</b>	<b>S22-12746-0K</b>	<b>KIT SHAFT KEYED NO REAR DR P16</b>
S13-47315-5K	KIT CCW GEROTOR REPAIR, 6,7P/V/D	<b>S22-12747-0K</b>	<b>KIT SHAFT,SPLINED NO REAR DR P16</b>
<b>S13-47511-OK</b>	<b>KIT 1 EA S13-47511-0 BARREL 7</b>	<b>S22-12824-0K</b>	<b>KIT SHAFT,KEYED W/NO REAR DR P260</b>
S13-47816-OK	KIT DRIVE SHAFT & BRG ASSY	<b>S22-12825-0K</b>	<b>KIT SHAFT SPLND NO REAR DR P260</b>
<b>S13-47873-OK</b>	<b>KIT RETAINER PISTON &amp; SHOE, 7.25 LW</b>	<b>S22-12830-0K</b>	<b>KIT SEAL 2/3 SHAFT CONT P12/16</b>
S13-48273-OK	KIT SHUTTLE VALVE,NO ORIFICES M	<b>S22-12830-5K</b>	<b>KIT SEAL 2/3 SHAFT CONT P12/16</b>
S13-48776-OK	KIT SHUTTLE VALVE ,.078 ORIFICES	<b>S22-12831-0K</b>	<b>KIT SEAL 2367SHFT CONT P200/260</b>
<b>S21-03651-OK</b>	<b>KIT BARREL &amp; SLVS.7.25 W/C</b>	<b>S22-12831-4K</b>	<b>KIT SEAL KIT (P260) W/CONTROLS</b>
<b>S21-03652-OK</b>	<b>KIT BARREL &amp; SLVS 6.0 W/C</b>	S22-12859-0K	KIT SHAFT KEYED REAR DRIVE 16

Note: **BOLD** = 1 week lead time or 24 Hr Emergency. All other items on standard lead time



## Part Number Listing

S22-12861-0K	KIT SHAFT SPLINED RD 3*** 16	S22-15447-0K	KIT CAP BUCK-UP CAP SPG P05/80
S22-12862-0K	KIT SHAFT,SPLINED SAE D/E HT P16RD	S22-15467-0K	KIT MAX VOL STOP P05/80
S22-12864-0K	KIT SHAFT KEYED RD 2*** 260	S22-15528-0K	KIT CONTROL CAP E H R P16B
S22-12866-0K	KIT SHAFT SPLINED RD 3*** 260	S22-15529-0K	KIT CONTROL CAP E H R P260B
S22-12867-0K	KIT REAR DRIVE ADAPTOR KIT SAE B	S22-15536-0K	KIT LOAD SENSING SERVICE P16B
S22-12868-0K	KIT REAR DRIVE ADAPTOR KIT SAE BB	S22-15537-0K	KIT LOAD SENSING SERVICE P260B
S22-12869-0K	KIT REAR DRIVE ADAPTOR KIT SAE C	S22-15570-0K	KIT REAR DRV ADAPTOR KIT ISO 180
S22-12870-0K	KIT REAR DRIVE ADAPTOR KIT SAE D	<b>S22-15598-0K</b>	<b>KIT SHAFT KEYED ISO P80</b>
S22-12871-0K	KIT REAR DRIVE ADAPTOR KIT SAE E	<b>S22-15599-0K</b>	<b>KIT SHFT SPL ISO P80</b>
S22-12872-0K	KIT REAR DRIVE ADAPTOR KIT ISO 100	S22-15600-0K	KIT SHFT KEY ISO W/REAR DRV P80
S22-12873-0K	KIT REAR DRIVE ADAPTOR KIT ISO 125	S22-15601-0K	KIT SHAFT SPLINE ISO REAR DRV P80
S22-12874-0K	KIT REAR DRIVE ADAPTOR KIT ISO 160	S22-15602-0K	KIT SHFT SPL DIN P80
S22-12875-0K	KIT REAR DRIVE ADAPTOR KIT ISO 200	S22-15603-0K	KIT SHFT SPL DIN REAR DR P80
S22-12876-0K	KIT REAR DRIVE ADAPTOR KIT ISO 250	S22-15613-0K	KIT CAP SPRING **OP80
S22-12915-0K	KIT HANDWHEEL P16/P260	S22-15621-0K	KIT SHFT SPL 7*** DIN NO RR DRV 140
S22-12920-0K	KIT REAR DRIVE ADAPTOR KIT SAE C-C	S22-15622-0K	KIT SHFT SPL 7*** DIN REAR DRV 140
S22-12983-0K	KIT MAX VOL STOP P16	S22-15624-0K	KIT TORQUE LIMITER J1*P80 SERVICE
S22-15078-0K	KIT ROCKER CAM & PIN P09/140	S22-15625-0K	KIT COMP W/LOAD SNSING P80 SERV
<b>S22-15084-0K</b>	<b>KIT SEAL KIT (P09) W/CONTROLS)</b>	S22-15627-0K	KIT TORQUE LIMITER J2* P05 SERV
<b>S22-15084-4K</b>	<b>KIT SEAL KIT (P09) W/CONTROLS)</b>	S22-15628-0K	KIT LOAD SENSING L2* P05 SERVICE
<b>S22-15084-5K</b>	<b>KIT SEAL KIT (P09 W/CONTROLS)</b>	S22-15629-0K	KIT TORQUE LIMITER K1* P05 SERV
<b>S22-15085-0K</b>	<b>KIT SEAL KIT (P140) W/CONTROLS</b>	S22-15631-0K	KIT TORQUE LIMITER K1* P80 SERV
<b>S22-15111-0K</b>	<b>KIT SHAFT KEYED 2*** NO REAR DRV 09</b>	S22-15634-0K	KIT TORQUE LIMITER J2* P80 SERV
S22-15112-0K	KIT SHFT KEY 2*** REAR DRV 09	S22-15635-0K	KIT TORQUE LIMITER K2* P05 SERV
<b>S22-15113-0K</b>	<b>KIT SHAFT SPLINED 3*** NRD 09</b>	S22-15636-0K	KIT TORQUE LIMITER K2* P80 SERV
S22-15114-0K	KIT SHAFT SPLINED 3*** RD 09	S22-15637-0K	KIT COMP W/LOAD SEN HANDWH P80 SERV
<b>S22-15115-0K</b>	<b>KIT SHFT KEY 2*** NO REAR DRV 140</b>	<b>S22-15646-0K</b>	<b>KIT SEAL P05/07 W/CONTROLS</b>
S22-15116-0K	KIT SHFT KEY 2*** REAR DR 140	<b>S22-15646-4K</b>	<b>KIT SEAL P05/07 W/CONTROLS</b>
<b>S22-15117-0K</b>	<b>KIT SHFT SPL 3*** NO REAR DRV 140</b>	<b>S22-15647-0K</b>	<b>KIT SEAL P080/110 W/CONTROLS</b>
S22-15118-0K	KIT SHFT SPL 3*** REAR DRV 140	S22-15653-0K	KIT BUCK UP SNOUT CJK 16/260
<b>S22-15119-0K</b>	<b>KIT PISTON,SHOE &amp; RET. P09/140</b>	S22-15672-0K	KIT BARREL PORT PLT CCW MOS2 16/260
S22-15266-0K	KIT ROCKER CAM & PIN 16 'B'	S22-15673-0K	KIT SHFT KEY DIN P80
<b>S22-15271-0K</b>	<b>KIT PISTON,SHOE &amp; RET 16/260B</b>	S22-15674-0K	KIT SHFT KEY DIN W/REAR DRV P80
S22-15311-0K	KIT SERVICE - P16B COMP 'C1*'	S22-15680-0K	KIT SHFT KEY W/NO REAR DR 260
S22-15312-0K	KIT SERVICE - P260B COMP C1*	S22-15681-0K	KIT SHFT KEY DIN REAR DRIVE
S22-15313-0K	KIT TOR LIM J1* LOW SERVICE 16	S22-15682-0K	KIT SHFT SPL #7 NRD P260
S22-15314-0K	KIT SER/P260B J"(LOW)T/L'J1*''	S22-15683-0K	KIT SHFT SPL #7 DIN REAR DRIVE
S22-15315-0K	KIT SER/P16B K"(HIGH)T/LK1*''	S22-15685-0K	KIT SHFT KEY 6*** DIN NO RR DRV 140
S22-15316-0K	KIT SER-P260 B"(HIGH)T/L'K1*''	S22-15686-0K	KIT SHFT KEY 6*** DIN REAR DRV 140
S22-15325-0K	KIT CAP MAX VOL SCRW E/H/R*0 P05	S22-15732-0K	KIT CONTROL TL J1* P09 SERVICE
<b>S22-15337-0K</b>	<b>KIT SHAFT KEYED NO REAR DR P05</b>	S22-15733-0K	KIT CONTROL TL J1* P140 SERVICE
<b>S22-15338-0K</b>	<b>KIT SHAFT,SPLINED NO REAR DR P05</b>	S22-15740-0K	KIT ADAPTER RDR K40N 180 LP
S22-15339-0K	KIT SHFT KEY REAR DR 05	S22-15765-0K	KIT CONVERSION ROT SER R** P05
S22-15340-0K	KIT SHAFT,SPLINED REAR DRV LT PO5	S22-15790-0K	KIT TL LOAD SENSE + VOL SCR P16
<b>S22-15342-0K</b>	<b>KIT PISTON/SHOE &amp;RETAINER P05/80</b>	S22-15802-0K	KIT TL/LD SEN &VOL SCR P260 SERV
S22-15372-0K	KIT REAR DRIVE ADAPTOR KIT SAE A	S22-15809-0K	KIT ADAPTER KIT REAR A/B CPLG P16
S22-15401-0K	KIT TORQUE LIMITER J1*P05 SERVICE	<b>S22-15893-0K</b>	<b>KIT PISTON SHOE RET 16/260 C MOD</b>
S22-15402-0K	KIT LOAD SENSING L1* P05 SERVICE	S22-15903-0K	KIT CAM & PIN 07/110

Note: **BOLD = 1 week lead time or 24 Hr Emergency. All other items on standard lead time**

### Part Number Listing

S22-15933-0K	KIT ADAPTER RDR DIN40 180	S22-16203-0K	KIT ELEC STROKER E** P110 SERVICE
S22-15934-0K	KIT ADAPTER RDR DIN50 180	S22-16204-0K	KIT ELEC STROKER E** P07 SERVICE
S22-15961-0K	KIT BARREL AND PORT PLT CW 16/260X	S22-16205-0K	KIT COMP OVERRIDE *1P P07 SERVICE
S22-15962-0K	KIT BARREL AND PORT PLT CCW 16/260X	S22-16206-0K	KIT COMP OVERRIDE *1P P110 SERV
S22-16001-0K	KIT SERVICE ELECTRIC STROKER 16C	S22-16207-0K	KIT TL OVERRIDE *1J P07 SERVICE
S22-16002-0K	KIT SERVICE ELECTRIC STROKER 260C	S22-16208-0K	KIT TL OVERRIDE *1J P110 SERVICE
S22-16003-0K	KIT SERVICE HYDRAULIC STROKER 16C	S22-16209-0K	KIT TL OVERRIDE *1K P07 SERVICE
S22-16004-0K	KIT SERVICE HYDRAULIC STROKER 260C	S22-16210-0K	KIT TL OVERRIDE *1K P110 SERVICE
S22-16005-0K	KIT SERVICE ROTARY SERVO 16C	S22-16220-0K	KIT SEAL KIT 16 X CONTROLS
S22-16006-0K	KIT SERVICE ROTARY SERVO 260C	S22-16221-0K	KIT SEAL KIT 260 X CONTROL PQ
S22-16007-0K	KIT SERVICE COMP OVERRIDE EHR 16C	<b>S22-16223-0K</b>	<b>KIT BARREL PORT PLT CW MOS2 12/200</b>
S22-16008-0K	KIT SERVICE COMP OVERRIDE EHR 260C	S22-16386-0K	KIT BARREL PORT PLT CW MOS2 09/140
S22-16009-0K	KIT SERVICE TL OVERRIDE EHR J 16C	S22-16387-0K	KIT BARREL PORT PLT CCW MOS2 09/140
S22-16010-0K	KIT SERVICE TL OVERRIDE EHR J 260C	S22-16401-0K	KIT DIFF COMP SPOOL PREMIER
S22-16011-0K	KIT SERVICE TL OVERRIDE EHR K 16C	<b>S22-16407-0K</b>	<b>KIT SHFT SPL SAE-F 5*** 16</b>
S22-16012-0K	KIT SERVICE TL OVERRIDE EHR K 260C	S22-16440-0K	KIT COMP FIX DIFF SERV C1 05/07
S22-16025-0K	KIT SHAFT SPLINED REAR DRV RD SAE 07	S22-16444-0K	KIT COMP FIX DIFF SERV C1 P080/110
S22-16026-0K	KIT SHFT SPL REAR DRIVE RD ISO 110	S22-16445-0K	KIT COMP FIX DIFF SERV C2 P05/07
S22-16027-0K	KIT SHFT KEY REAR DRIVE RD SAE 07	S22-16446-0K	KIT COMP FIX DIFF SERV C2 P080
S22-16028-0K	KIT SHAFT KEYED REAR DRV RD ISO 110	S22-16453-0K	KIT DIFF SPRING LOAD SENSE PREMIER
S22-16029-0K	KIT SHFT KEY REAR DRIVE RD DIN 110	S22-16479-0K	KIT SEAL PQ CONTROL 09
S22-16030-0K	KIT SHFT SPL REAR DRIVE RD DIN 110	S22-16480-0K	KIT SEAL PQ CONTROL 140
<b>S22-16039-0K</b>	<b>KIT PISTON SHOE &amp; RETAINER 07/110</b>	<b>S22-16523-0K</b>	<b>KIT SHFT KEY SAE NO REAR DRIVE 12</b>
<b>S22-16100-0K</b>	<b>KIT BARREL PORT PLT CW MOS2 16/260</b>	S22-16524-0K	KIT SHFT KEY SAE REAR DRIVE 12
<b>S22-16123-0K</b>	<b>KIT BARREL MOS2 PLT CW P16/260Q</b>	<b>S22-16525-0K</b>	<b>KIT SHFT SPL SAE NO REAR DRIVE 12</b>
S22-16125-0K	KIT BARREL MOS2 PLT CCW P16/260Q	S22-16526-0K	KIT SHFT SPL 3*** SAE RD
<b>S22-16143-0K</b>	<b>KIT BARREL MOS2 PORT PLT CW 05</b>	<b>S22-16527-0K</b>	<b>KIT SHFT KEY ISO NO REAR DRIVE 200</b>
S22-16144-0K	KIT BARREL MOS2 PORT PLT CCW 05	S22-16528-0K	KIT SHFT KEY ISO REAR DRIVE 200
<b>S22-16145-0K</b>	<b>KIT BARREL MOS2 PORT PLT CW 07</b>	<b>S22-16529-0K</b>	<b>KIT SHFT SPL ISO NO REAR DRIVE 200</b>
S22-16146-0K	KIT BARREL MOS2 PORT PLT CCW 07	S22-16530-0K	KIT SHFT SPL 3*** RD 200 ISO
<b>S22-16147-0K</b>	<b>KIT BARREL MOS2 PORT PLT CW P09</b>	S22-16531-0K	KIT SHFT KEY DIN50 NO REAR DRIVE 200
S22-16148-0K	KIT BARREL MOS2 PORT PLT CCW P09	S22-16532-0K	KIT SHFT KEY DIN50 REAR DRIVE 200
S22-16183-0K	KIT SERVICE TL OVERRIDE EHR J	S22-16533-0K	KIT SHFT SPL IN50 NO REAR DRIVE 200
S22-16184-0K	KIT SERVICE TL OVERRIDE EHR J 2	S22-16534-0K	KIT SHFT SPL DIN50 REAR DRIVE 200
S22-16186-0K	KIT TL LO LOAD SENSE V1 05 SERVICE	S22-16535-0K	KIT BARREL PORT PLT CCW MOS2 12/200
S22-16187-0K	KIT TL LO LOAD SEN VOL SCR W1 05 SER	<b>S22-16536-0K</b>	<b>KIT PISTON SHOE RETAINER 12/200</b>
S22-16188-0K	KIT TL LO LOAD SENSE V1 080 SERVICE	S22-16548-0K	KIT SHFT KEY DIN60 NO REAR DRIVE 200
S22-16189-0K	KIT TL HI LOAD SENSE W1* 080 SERVICE	S22-16549-0K	KIT SHFT KEY DIN60 REAR DRIVE 200
S22-16191-0K	KIT TL LOAD SENSE & VOL SCR P16	S22-16550-0K	KIT SHFT SPL DIN60 NO REAR DRV 200
S22-16192-0K	KIT TL/LD SEN & VOL SCR P260 SERV	S22-16551-0K	KIT SHFT SPL DIN60 REAR DRIVE 200
S22-16193-0K	KIT TL LOAD SEN VOL SCR V1 09 SERV	S22-16911-0K	KIT SERVICE RET RING 16/260
S22-16194-0K	KIT TL LOAD SEN VOL SCR V1 140 SERV	S22-17131-0K	KIT CONV ELECT STROKER E 05/07
S22-16195-0K	KIT TL LOAD SEN VOL HDW V2 05 SERV	S22-17132-0K	KIT CONV ELECT STROKER E 080/110
S22-16196-0K	KIT TL LOAD SEN VOL HDW V2 080 SERV	S22-17133-0K	KIT CONV HYD STROKER H 05/07
S22-16197-0K	KIT TL LOAD SEN VOL HDW W2 05 SERV	S22-17134-0K	KIT CONV HYD STROKER H 080/110
S22-16198-0K	KIT TL LOAD SEN VOL HDW W2 080 SERV	S22-17135-0K	KIT CONV ROTARY SVO R 05/07
S22-16199-0K	KIT ROTARY SERVO R** P110 SERVICE	S22-17136-0K	KIT CONV ROTARY SVO R 080/110
S22-16201-0K	KIT HYD STROKER H** P110 SERVICE	S22-17137-0K	KIT CONV ELECT STROKER E 09
S22-16202-0K	KIT HYD STROKER H** P07 SERVICE	S22-16200-0K	KIT ROTARY SERVO R** P07 SERVICE

Note: **BOLD = 1 week lead time or 24 Hr Emergency. All other items on standard lead time**

**Part Number Listing**

S22-17138-0K	KIT CONV ELECT STROKER E 140	<b>S23-00133-0K</b>	<b>KIT SEAL 6/7 F/G-C,A W/WO SHUT</b>
S22-17139-0K	KIT CONV HYD STROKER H 09	<b>S23-00137-0K</b>	<b>KIT SEAL M6,7H/V</b>
S22-17140-0K	KIT CONV HYD STROKER H 140	<b>S23-00141-0K</b>	<b>KIT SEAL M11,14H</b>
S22-17141-0K	KIT CONV ROTARY SVO R 09	<b>S23-00143-0K</b>	<b>KIT SEAL M11,14G</b>
S22-17142-0K	KIT CONV ROTARY SVO R 140	S23-00532-0K	KIT REV PRESS COMP
S22-17143-0K	KIT CONV ELECT STROKER E 12	S23-02345-0K	KIT SERVO,10,POT,B,2XP
S22-17144-0K	KIT CONV ELECT STROKER E 200	S23-03063-0K	KIT TUBE BRAKE & BYPASS
S22-17145-0K	KIT CONV HYD STROKER H 12	S23-03064-0K	KIT TUBE BRAKE & BYPASS
S22-17146-0K	KIT CONV HYD STROKER H 200	S23-03069-0K	KIT SEAL BRAKE & BYPASS
S22-17147-0K	KIT CONV ROTARY SVO R 12	S23-03070-0K	KIT SEAL BRAKE & BYPASS
S22-17148-0K	KIT CONV ROTARY SVO R 200	S23-03237-0K	KIT SEAL M6,7G D MOD
S22-17149-0K	KIT CONV ELECT STROKER E 16	<b>S23-03260-0K</b>	<b>KIT SPLINE SHFT &amp; BEARING, CV 6,7,8</b>
S22-17150-0K	KIT CONV ELECT STROKER E 260	S23-03261-0K	KIT KEYED SHFT & BEARING, CV 6,7,8
S22-17151-0K	KIT CONV HYD STROKER H 16	S23-03262-0K	KIT P6D P7D BEARING SUBASSM
S22-17152-0K	KIT CONV HYD STROKER H 260	S23-03278-0K	KIT SERVO,10,RVDT,A,2XP
S22-17153-0K	KIT CONV ROTARY SVO R 16	S23-03382-0K	KIT STEM & SERVO PLATE
S22-17154-0K	KIT CONV ROTARY SVO R 260	<b>S23-03383-0K</b>	<b>KIT STEM &amp; BALANCE PLATE</b>
S22-17340-0K	KIT SEAL 05-07 X**	S23-03781-0K	KIT SERVO STEM INPUT
S22-17341-0K	KIT SEAL 080 110 X**	<b>S23-03782-0K</b>	<b>KIT STEM &amp; BALANCE PLATE 11/14</b>
S22-17503-0K	KIT PISTON SHOE SET O5 080	S23-03922-0K	KIT STEM & BALANCE PLATE
S22-17504-0K	KIT PISTON SHOE SET O7 110	S23-03948-0K	KIT CONTROL STEM
S22-17505-0K	KIT PISTON SHOE SET O9 140	S23-03949-0K	KIT SERVO STEM
S22-17506-0K	KIT PISTON SHOE SET 12 200	<b>S23-03950-0K</b>	<b>KIT SERVO STEM</b>
S22-17507-0K	KIT PISTON SHOE SET 16H 260H	S23-03951-0K	KIT SERVO STEM
S22-17508-0K	KIT PISTON SHOE SET 16Q 260Q	S23-04102-0K	KIT TUBING,VV 6/7 CCW A DTL
<b>S22-17723-0K</b>	<b>KIT ROT BARREL BRG CW 05 080</b>	S23-04111-0K	KIT TUBING,PP 6/7 CCW B DTL
S22-17724-0K	KIT ROT BARREL BRG CCW 05 080	S23-04112-0K	KIT TUBING,DTL,CW-A,2XP
<b>S22-17725-0K</b>	<b>KIT ROT BARREL BRG CW 07 110</b>	S23-04113-0K	KIT PP TUBING
S22-17726-0K	KIT ROT BARREL BRG CCW 07 110	S23-05641-0K	KIT TUBING P11P/P14P
<b>S22-17727-0K</b>	<b>KIT ROT BARREL BRG CW 09 140</b>	S23-05643-0K	KIT TUBING P11P/P14P
S22-17728-0K	KIT ROT BARREL BRG CCW 09 140	S23-05645-0K	KIT TUBING P11P/P14P
S22-17729-0K	KIT ROT BRL BRG CW 09 140 X	S23-05647-0K	KIT TUBING P11P/P14P
S22-17730-0K	KIT ROT BRL BRG CCW 09 140 X	S23-05688-0K	KIT TUBING
<b>S22-17731-0K</b>	<b>KIT ROT BARREL BRG CW 12 200</b>	S23-05689-0K	KIT TUBING
S22-17732-0K	KIT ROT BARREL BRG CCW 12 200	S23-05690-0K	KIT TUBING
<b>S22-17733-0K</b>	<b>KIT ROT BRL BRG CW 16 260H</b>	S23-05691-0K	KIT TUBING DTL CW-B
S22-17734-0K	KIT ROT BRL BRG CCW 16 260H	<b>S23-05992-0K</b>	<b>KIT SHAFT SEAL 11,14</b>
<b>S22-17735-0K</b>	<b>KIT ROT BRL BRG CW 16 260Q</b>	<b>S23-05992-5K</b>	<b>KIT SEAL 11/14 (NEW)</b>
S22-17736-0K	KIT ROT BRL BRG CCW 16 260Q	<b>S23-05994-0K</b>	<b>KIT SEAL M24H/V B MOD</b>
S22-17737-0K	KIT ROT BRL BRG CW 16 260Q X	<b>S23-11514-0K</b>	<b>KIT SEAL COMPL P24,30P MECH</b>
S22-17738-0K	KIT ROT BRL BRG CCW 16 260Q X	<b>S23-11516-0K</b>	<b>KIT SHAFT SEAL 24 CIPR</b>
<b>S22-17739-0K</b>	<b>KIT BRL HOLDDOWN 05 07 080 110</b>	S23-11523-0K	KIT TUBE & FITTING
<b>S22-17740-0K</b>	<b>KIT BARREL HOLDDOWN 09 140</b>	S23-11600-0K	KIT MECH SEAL COMPL P24,30S
<b>S22-17741-0K</b>	<b>KIT BARREL HOLDDOWN 12 200</b>	S23-11644-0K	KIT SPECIAL W/T6CC PUMP
<b>S22-17742-0K</b>	<b>KIT BARREL HOLDDOWN 16 260</b>	S23-11966-0K	KIT SHUTTLE, EXT DR, AUX REPL PORT
S22-17854-0K	KIT CONV PUMP SV0 COMP 05 110	S23-12007-0K	KIT SHUTTLE, INT DR, AUX REPL PORT
S22-17855-0K	KIT CONV PUMP SV0 COMP 09 140	S23-12044-0K	KIT SPL SHFT & BRG, TND 6,7,8 B/C
S22-17856-0K	KIT CONV PUMP SV0 COMP 12 200	<b>S23-12091-0K</b>	<b>KIT 1 EA S23-12091-0 BARREL 24</b>
S22-17857-0K	KIT CONV PUMP SV0 COMP 16 260	S23-12093-0K	KIT KEY SHFT & BNG, TND 6,7,8 B/C

Note: **BOLD = 1 week lead time or 24 Hr Emergency. All other items on standard lead time**

**Part Number Listing**

S23-12104-0K	KIT 1 EA S23-12104-0 ROCKER 6,7	S23-12668-5K	KIT ADAPTER RR MTG SAE-B 11/14S
S23-12105-0K	KIT 1 EA S23-12105-0 ROCKER 6,7	S23-12669-5K	KIT ADAPTER RR MTG SAE-B 6,7,8S
S23-12107-0K	KIT 1 EA S23-12107-0 ROCKER 11,14	S23-12672-0K	KIT COMP REV. PRESS.24/30
S23-12113-0K	KIT SHAFT SEAL 11,14	<b>S23-12681-0K</b>	<b>KIT STEM SERVO INPUT .062 6/7</b>
<b>S23-12170-0K</b>	<b>KIT 1 EA S23-12170-0 BARREL 30</b>	<b>S23-12684-0K</b>	<b>KIT RETAINER PISTON &amp; SHOES 30</b>
S23-12181-5K	KIT ADAPTER RR MTG SAE-B 11/14P	S23-12718-0K	KIT 1 EA S23-12718-0 BARREL 8
S23-12182-5K	KIT ADAPTER RR MTG SAE-A 11/14P	S23-12734-0K	KIT EHS9A*-*00 75-350 CW/A CCW/B
S23-12183-5K	KIT ADAPTER RR MTG SAE-B 6,7,8P/D	S23-12742-0K	KIT 1 EA S23-12742-0 VLV BLK
S23-12184-5K	KIT ADAPTER RR MTG SAE-A 6,7,8P/D	S23-12760-0K	KIT HYD STR 8A*-*01 75-435 A/B
<b>S23-12268-0K</b>	<b>KIT HYD STR,8A*-*00, 75-350 A/B</b>	S23-12770-0K	KIT VALVE BLK 1PC 400 PSI PILOT
S23-12271-0K	KIT CONT RS 8A*-A0* 75-250 PSI MTR	S23-12771-0K	KIT 1 EA S23-12771-0 VLV BLK
<b>S23-12276-0K</b>	<b>KIT SERVO STEM IN (.062) 11/14</b>	S23-12776-0K	KIT 1 EA S23-12776-0 VLV BLK HI IQ
S23-12280-0K	KIT CONT. RS 2A SPRG MIN VOL	S23-12795-0K	KIT 1 EA S23-12795-0 VLV BLK P30S
S23-12298-0K	KIT D.T.LIMIT **4 CW-B CCW-A 1XP	S23-12796-0K	KIT 1 EA S23-12796-0 VLV BLK
S23-12299-0K	KIT D.T.LIMIT **4 A/B 2XP	S23-12820-0K	KIT HYD STR 8C*-*00 75-350 A/B
S23-12300-0K	KIT D.T.LIMIT **4 CW-A CCW-B 1XP	S23-12925-0K	KIT EH STR 9C* *00 75 250 A/B
S23-12324-0K	KIT CONT RS 4C A/B B&B 2XP	S23-12940-0K	KIT EH STR 9A*-*00 75-350 A/B24V
S23-12325-0K	KIT CONT OUTPUT **2 VOL IND	S23-12946-0K	KIT HYD STR 8A* *00 75 350 P6/7R
S23-12326-0K	KIT CONTROL CYL 2A 1XM B	S23-12957-0K	KIT EHS 9A* *01 75-350 A/B 12V
S23-12327-0K	KIT SCREW ADJ CCW-A / CW-B 1XP	S23-15050-0K	KIT EHS 9A A MTG MOTOR 24VOLT
S23-12328-0K	KIT SCREW ADJ CCW-B / CW-A 1XP	S23-15051-0K	KIT EHS 9A B MTG MOTOR 24VOLT
S23-12329-0K	KIT CONTROL CYL 2A* 1XM A	S23-15065-0K	KIT HYD STR 8A*-*04 75-250 A/B
S23-12338-0K	KIT CONTROL CYL 2A CCW-A CW-B 1XP	<b>S23-15089-0K</b>	<b>SEAL KIT SHUTLE VALVE P6S P30S</b>
S23-12340-0K	KIT CONTROL CYL 2A CW-A CW-B 1XP	<b>S23-15102-0K</b>	<b>KIT CARTRIDGE SPACER 24 (00X)</b>
S23-12343-0K	KIT CONT RS 4B A/B B&B 2XP	<b>S23-15110-0K</b>	<b>KIT SERVO STEM</b>
S23-12344-0K	KIT CONT RS SPG CTR 40* A/B 2XP	S23-15126-5K	KIT ADAPTER RR MTG SAE-C 24/30P/S
S23-12358-0K	KIT CYL 2H 3 POS SPG CTR 2XP A/B	<b>S23-15128-0K</b>	<b>KIT,SEAL 24 CV "D"/ 30 CV A</b>
S23-12378-0K	KIT CONT RS 8A*-B0* SPR OFFSET FULL	S23-15207-0K	KIT CONT CYL 2A SPRG MIN VOL A
<b>S23-12413-0K</b>	<b>KIT EHS 5A*-*00 1/2XP/V,WDB,A/B</b>	S23-15212-0K	KIT SPLINE SHAFT & BRG 11,14 8***
S23-12414-0K	KIT EHS 5C B&B 1/2XP/V WDB A/B	<b>S23-15213-0K</b>	<b>KIT KEY SHAFT &amp; BRG 11,14 7***</b>
S23-12415-0K	KIT 5A*-*01 1/2P/V 0DB A&B LF	S23-15235-0K	KIT CONT 8A MTR B (OFFSET MIN.)
S23-12416-0K	KIT ELEC HYD STRK,(5A*),DB, METRIC	<b>S23-15244-0K</b>	<b>KIT SEAL P11,14S CW B &amp; C MOD</b>
S23-12418-0K	KIT EHS 5A 1X 0DB B MOTOR	S23-15247-0K	KIT SEAL P11,14S CCW B & C MOD
S23-12419-0K	KIT EHS 5A* 1X 0DB A MOTOR	S23-15341-0K	KIT EH STR 8A* *03 150-400 P6/7R
S23-12420-0K	KIT EHS 5C B&B 1/2XP/V 0DB A/B	S23-15376-0K	KIT CHK W/RECL SYS. P11/14S
S23-12438-0K	KIT ADAPTER REAR MTG SAE A P6,7,8S	S23-15386-0K	KIT SHAFT & BRG SPLINE 24/30
S23-12439-0K	KIT,REAR ADAPT,A,11/14 /SH PAD	<b>S23-15387-0K</b>	<b>KIT SHAFT &amp; BRG KEYED 24/30 RECLA</b>
S23-12461-0K	KIT SERVICE-RET. RING 6/7 BRL HD	S23-15426-0K	KIT RECL W/5 PSI CHK 24/30
S23-12468-0K	KIT SERVO STEM INPUT .062 6,7V	S23-15493-0K	KIT TUBING DTL CW-B P30
S23-12474-0K	KIT SPLINE SHAFT & BRG 30	S23-15545-0K	KIT TUBING P24 E CCW A
<b>S23-12475-0K</b>	<b>KIT KEY SHAFT &amp; BRG 30</b>	S23-15546-0K	KIT TUBING P24 E CCW B
S23-12482-0K	KIT 1 EA S23-12482-0 ROCKER 30	S23-15547-0K	KIT TUBING P24 E CW A
S23-12526-0K	KIT CONT RS 8A0 B1* MTR 250-450.PSI	S23-15548-0K	KIT TUBING KIT DTL CW B P24 E
S23-12527-0K	KIT CONT RS 8A0 A1* MTR 250-450 PSI	S23-15549-0K	KIT TUBING P30 B CCW A
S23-12529-0K	KIT HYD STR 8A*-*03 150-400 A/B	S23-15550-0K	KIT TUBING P30 B CCW B
S23-12547-0K	KIT SERVICE-RET. RING 11,14	S23-15551-0K	KIT TUBING P30 B CCW B
S23-12629-0K	KIT SERVICE-RET. RING 24,30	S23-15658-0K	KIT TUBE 8C2/9C2 B P6/7
S23-12630-0K	KIT HYD STR 8A*-*02 100-380 A/B	S23-15659-0K	KIT TUBE 8C2/9C2 A P6/7
<b>S23-12667-0K</b>	<b>KIT EHS 9A*-*00,75-350,A/B24V1/5</b>	S23-15660-0K	KIT TUBE 8C2/9C2 B P11/14

Note: **BOLD = 1 week lead time or 24 Hr Emergency. All other items on standard lead time**



## Part Number Listing

S23-15661-0K	KIT TUBE 8C2 9C2 A P11/14	S23-16333-0K	KIT SHAFT SEAL CCW LIP P24,30
S23-15677-0K	KIT ELECT CYL 2M* *03 CW B/CCW A	S23-16340-5K	KIT ADAPTER RDR SAE-C P24R
S23-15678-0K	KIT ELECT CYL 2M* *03 CCW B/CW A	S23-16341-5K	KIT ADAPTER RDR SAE D P24R
S23-15679-0K	KIT ELECT CYL 2N* *03 3 POSITION	S23-16342-5K	KIT ADAPTER RDR SAE E P24R
S23-15689-0K	KIT TUBE 8/9C4 CW-A 11/14	S23-16343-5K	KIT REAR DRIVE ADAPTOR SAE F
S23-15690-0K	KIT TUBE 8/9C4 CW-B 11/14	S23-16351-5K	KIT ADAPTER RDR SAE C P30R
<b>S23-15696-0K</b>	<b>KIT SEAL COMPL 24,30S CW T6C</b>	S23-16352-5K	KIT ADAPTER REAR DRIVE SAE D P30R
S23-15697-0K	KIT SEAL COMPL 24,30S CCW T6C	S23-16353-5K	KIT REAR DRIVE ADAPT SAE E 30R
<b>S23-15702-0K</b>	<b>KIT SEAL COMPL 11,14S CW TB</b>	S23-16354-5K	KIT REAR DR ADAPTOR SAE F 30R
S23-15703-0K	KIT SEAL COMPL 11,14S CCW TB	S23-16362-0K	KIT SHAFT KEYED 24/30R MECH SEAL
<b>S23-15716-0K</b>	<b>KIT SPLINE SHFT &amp; BRG SAE D 6,7 CV</b>	S23-16364-0K	KIT SHFT SPLINE HI TORQ SAE-F 24/30R
S23-15717-0K	KIT SHAFT SAE D KEY W BRG 6 7 CV	S23-16369-0K	KIT COUPLING SAE B P30R
S23-15720-0K	KIT SEAL M6,7 4/5 NID CV	S23-16377-0K	KIT ELECT CYL 2N* *01 3 POSITION
S23-15736-0K	KIT ELECT CYL 2M* *02 CW B/CCW A	S23-16378-0K	KIT HYD STROKER 8C* *03 150-400 PSI
S23-15737-0K	KIT ELECT CYL 2M* *02 CCW B/CW A	S23-16473-0K	KIT SHAFT KEYED LIP SEAL P24/30R
S23-15738-0K	KIT ELECT CYL 2N* *02 3 POSITION	S23-16475-0K	KIT SHFT HI TOR SPL 24/30R LIP SEALS
S23-15817-0K	KIT ELECT CYL 2N* *00 3 POSITION	S23-16514-0K	KIT SHAFT SPLINE LIP SEALS 6/7 VV
S23-15821-0K	KIT ELEC CYL 2N* *05 3 POS	S23-16539-0K	KIT SHAFT KEYED VV LIP SEALS P6/7
<b>S23-15831-0K</b>	<b>KIT SHAFT SPLINE VV SAE-D MTG 6/7</b>	S23-16546-0K	KIT ELECT CYLINDER 2N* *07 3-POS
S23-15832-0K	KIT SHAFT KEY V.V. D MTG 6/7	S23-16556-0K	KIT ELECT CYL 2M* *01 CCW B/CW A
S23-15860-0K	KIT ELECT CYL 2M* *05 CW B/CCW A	S23-16627-0K	KIT CONTROL ELEC CYL 2M* A0 MOTOR
S23-15861-0K	KIT ELECT CYL 2M* *05 CCW B/CW A	S23-16628-0K	KIT CONTROL ELEC CYL 2M* B0 MOTOR
S23-15868-5K	KIT REAR ADAPTER SAE A P6,7R	<b>S23-16793-0K</b>	<b>KIT C SPL SHFT &amp; BRG MECH M6,7H/V</b>
S23-15870-0K	KIT ELECT CYL 2M* *00 CCW B/CW A	S23-16794-0K	KIT C KEY SHFT & BRG MECH M6,7H/V
S23-15951-0K	KIT HYD STROKER 8A*-*04 75-250 P6/7R	<b>S23-16845-0K</b>	<b>KIT ROTATION CONV TO CCW P6P/S/D</b>
S23-16073-0K	KIT EH 9A*-*01 75-250 A/B 12V P*R	S23-16846-0K	KIT ROTATION CONV TO CW P6P/S/D
S23-16092-0K	KIT SHFT HI TOR SPL LIP SEAL P11/14R	S23-16847-0K	KIT ROTATION CONV TO CCW P6V
S23-16093-0K	KIT SHAFT KEY LIP SEAL P11/14R	S23-16848-0K	KIT ROTATION CONV TO CW P6V
S23-16133-0K	KIT CONTROL ELECT CYL 2M* B5* MOTOR	<b>S23-16849-0K</b>	<b>KIT ROTATION CONV TO CCW P7P/S/D</b>
S23-16134-0K	KIT CONTROL ELECT CYL 2M* A5* MOTOR	S23-16850-0K	KIT ROTATION CONV TO CW P7P/S/D
S23-16159-0K	KIT ELECT CYL 2N* *06 3 POSITION	S23-16851-0K	KIT ROTATION CONV TO CCW P7V
S23-16162-0K	KIT SEAL COMPL 4 BOLT D VV M6	S23-16852-0K	KIT ROTATION CONV TO CW P7V
S23-16164-0K	KIT SHAFT SEAL 4 BOLT D VV 6/7	S23-16853-0K	KIT ROTATION CONV TO CCW P8P/S/D
S23-16173-0K	KIT SEAL COMPL P6,7S GEAR PUMP	S23-16854-0K	KIT ROTATION CONV TO CW P8P/S/D
<b>S23-16174-0K</b>	<b>KIT SEAL COMPL P6,7S TB</b>	S23-16855-0K	KIT ROTATION CONV TO CCW P8V
S23-16175-0K	KIT SEAL COMPL P11,14S GEAR PUMP	S23-16856-0K	KIT ROTATION CONV TO CW P8V
S23-16229-0K	KIT CONTROL ELEC CYL 2M* B1* MOTOR	S23-16857-0K	KIT ROTATION CONV TO CCW P6R
S23-16239-0K	KIT HYD STROKER 8C*-*02 100-380 PSI	S23-16858-0K	KIT ROTATION CONV TO CW P6R
S23-16249-5K	KIT COVER SOLID END P11/14R	S23-16859-0K	KIT ROTATION CONV TO CCW P7R
S23-16250-5K	KIT REAR ADAPTER SAE A P11/14R	S23-16860-0K	KIT ROTATION CONV TO CW P7R
S23-16251-5K	KIT REAR ADAPTOR SAE B P11/14R	S23-16861-0K	KIT ROTATION CONV TO CCW P8R
S23-16252-5K	KIT ADAPTOR REAR SAE C 11/14R	S23-16862-0K	KIT ROTATION CONV TO CW P8R
S23-16253-5K	KIT REAR ADAPTOR SAE D P11 14R	<b>S23-16863-0K</b>	<b>KIT ROT CONV TO CCW P11P S</b>
S23-16255-0K	KIT SHAFT KEY MECH SEAL P11/14R	S23-16864-0K	KIT ROT CONV TO CW P11P S
S23-16257-0K	KIT SHAFT HI TOR SPL MECH SEAL P14R	S23-16865-0K	KIT ROT CONV TO CCW P11V
S23-16266-0K	KIT TUBE 8/9C4 CW B P24 E MOD	S23-16866-0K	KIT ROT CONV TO CW P11V
S23-16267-0K	KIT TUBE 8/9C4 CCW B P24 E MOD	<b>S23-16867-0K</b>	<b>KIT ROT CONV TO CCW P14P S</b>
<b>S23-16332-0K</b>	<b>KIT SHAFT SEAL CW LIP P24,30</b>	S23-16868-0K	KIT ROT CONV TO CW P14P S
Note: <b>BOLD = 1 week lead time or 24 Hr Emergency. All other items on standard lead time</b>			

## Part Number Listing

S23-16869-0K	KIT ROT CONV TO CCW P14V	S23-17049-0K	KIT SEAL P11,14S/L CW W/T67CB
S23-16870-0K	KIT ROT CONV TO CW P14V	S23-17066-0K	KIT SEAL (2) P30L 8R T6DCCRM TB
S23-16871-0K	KIT ROT CONV TO CCW P11R L	<b>S23-17087-0K</b>	<b>KIT ROT GROUP CW P6P/D/R/S</b>
S23-16872-0K	KIT ROT CONV TO CW P11 RL	S23-17088-0K	KIT ROT GROUP CCW P6P/D/R/S
S23-16873-0K	KIT ROT CONV TO CCW P14 RL	<b>S23-17089-0K</b>	<b>KIT ROT GROUP CW P7P/D/R/S</b>
S23-16874-0K	KIT ROT CONV TO CW P14 RL	S23-17090-0K	KIT ROT GROUP CCW P7P/D/R/S
<b>S23-16875-0K</b>	<b>KIT ROT CONV TO CCW P24P SRL</b>	S23-17091-0K	KIT ROT GROUP CW P8P/R/S
S23-16876-0K	KIT ROT CONV TO CW P24P SRL	S23-17092-0K	KIT ROT GROUP CCW P8P/R/S
<b>S23-16877-0K</b>	<b>KIT ROT CONV TO CCW P30P SRL</b>	S23-17093-0K	KIT ROT GROUP CW P6V
S23-16878-0K	KIT ROT CONV TO CW P30P SRL	S23-17094-0K	KIT ROT GROUP CCW P6V
S23-16879-5K	KIT REAR ADAPTER SAE A 6,7,8,11,14	S23-17095-0K	KIT ROT GROUP CW P7V
S23-16880-5K	KIT REAR ADAPTER SAE B 6,7,8,11,14	S23-17096-0K	KIT ROT GROUP CCW P7V
S23-16881-5K	KIT REAR ADAPTER SAE A 6,7	S23-17097-0K	KIT ROT GROUP CW P8V
S23-16882-5K	KIT REAR ADAPTER SAE B 6-14 W/SHUT	S23-17098-0K	KIT ROT GROUP CCW P8V
S23-16883-0K	KIT ELECT CYL 2M* *00 CW B/CCWA	<b>S23-17099-0K</b>	<b>KIT ROT GROUP M6F G H V</b>
S23-16884-5K	KIT REAR ADAPTER SAE B 6,7,8	<b>S23-17100-0K</b>	<b>KIT ROT GROUP M7F G H V</b>
S23-16885-5K	KIT REAR ADAPTER SAE C 6,7,8	<b>S23-17101-0K</b>	<b>KIT ROT GROUP CW P11P R S</b>
S23-16886-5K	KIT REAR ADAPTER KIT SAE E P11/14R	S23-17102-0K	KIT ROT GROUP CCW P11P R S
S23-16887-5K	KIT COVER W/SAE B AUX MTG PAD	<b>S23-17103-0K</b>	<b>KIT ROT GROUP CW P14P R S</b>
S23-16888-5K	KIT COVER RR SAE C 2/4 BOLT MTG	S23-17104-0K	KIT ROT GROUP CCW P14P R S
S23-16944-0K	KIT SHFT KEY LIP SEALS P6/7R	S23-17105-0K	KIT ROT GROUP CW P11V
<b>S23-17000-0K</b>	<b>KIT SEAL CONTROLS IN/OUTPUT P6-30</b>	S23-17106-0K	KIT ROT GROUP CCW P11V
S23-17001-0K	KIT SHAFT SEAL 7 & 8 P6,7,8	S23-17107-0K	KIT ROT GROUP CW P14V
S23-17013-0K	KIT SHAFT SEAL 6/7 D MOD SHAFT 1,2,3,6	S23-17108-0K	KIT ROT GROUP CCW P14V
S23-17014-0K	KIT SHAFT SEAL 6/7 D MOD SHAFT 4,5	<b>S23-17109-0K</b>	<b>KIT ROT GROUP M11F G H V</b>
<b>S23-17026-0K</b>	<b>KIT SEAL COMPL SAE C P6,7,8P MECH</b>	<b>S23-17110-0K</b>	<b>KIT ROT GROUP M14F G H V</b>
S23-17027-0K	KIT SEAL COMPL SAE D P6,7,8P MECH	<b>S23-17111-0K</b>	<b>KIT ROT GROUP CW P24F P R S</b>
S23-17028-0K	KIT SEAL COMPL SAE C P6,7,8P LIP	S23-17112-0K	KIT ROT GROUP CCW P24F P R S
<b>S23-17029-0K</b>	<b>KIT SEAL COMPL SAE C P6,7,8S MECH</b>	<b>S23-17113-0K</b>	<b>KIT ROT GROUP CW P30F P R S</b>
S23-17030-0K	KIT SEAL COMPL SAE C P6,7,8S MECH	S23-17114-0K	KIT ROT GROUP CCW P30F P R S
S23-17031-0K	KIT SEAL COMPL SAE C P6,7,8S LIP	S23-17115-0K	KIT ROT GROUP M24F G H V
<b>S23-17032-0K</b>	<b>KIT SEAL COMPL P11,14P MECH</b>	S23-17116-0K	KIT ROT GROUP M30F G H V
S23-17033-0K	KIT SEAL COMPL CW P11,14P LIP	S23-17117-0K	KIT ROT GROUP CW P6F
S23-17034-0K	KIT SEAL COMPL CCW P11,14P LIP	S23-17118-0K	KIT ROT GROUP CCW P6F
S23-17035-0K	KIT SEAL COMPL P11,14S MECH	S23-17119-0K	KIT ROT GROUP CW P7F
S23-17036-0K	KIT SEAL C MPL P11,14S MECH	S23-17120-0K	KIT ROT GROUP CCW P7F
S23-17037-0K	KIT SEAL COMPL CCW P11,14S LIP	<b>S23-17231-0K</b>	<b>KIT CAM/CRADLE CONV CW-CCW 6,7,8</b>
S23-17038-0K	KIT SEAL COMPL CW P24,30P LIP	<b>S23-17232-0K</b>	<b>KIT CAM CRADLE CONV CW CCW 11 14</b>
S23-17039-0K	KIT SEAL COMPL CCW P24,30P LIP	S23-17233-0K	KIT CAM CRADLE CONV CW CCW 24 30
S23-17040-0K	KIT SEAL COMPL P24 ,30S MECH	<b>S23-17234-5K</b>	<b>KIT CAM STROKING CW P6,7,8P/S</b>
S23-17041-0K	KIT SEAL COMPL CW P24,30S LIP	S23-17235-5K	KIT CAM STROKING CCW P6 7 8P S
S23-17042-0K	KIT SEAL COMPL CCW P24,30S LIP	<b>S23-17236-5K</b>	<b>KIT CAM STROKING CW P6,7,8D/V</b>
<b>S23-17043-5K</b>	<b>KIT CW GEROTOR REPAIR 11/14S</b>	S23-17237-5K	KIT CAM STROKING CCW P6 7 8D V
S23-17044-5K	KIT CCW GEROTOR REPAIR 11/14/S	S23-17238-5K	KIT CAM STROKING CW P6,7,8R
<b>S23-17045-5K</b>	<b>KIT CW GEROTOR REPAIR 6,7,8S</b>	S23-17239-5K	KIT CAM STROKING CCW P6 7 8R
S23-17046-5K	KIT CCW GEROTOR REPAIR 6,7,8S	<b>S23-17240-5K</b>	<b>KIT CAM STROKING CW P11 14P RSV</b>
<b>S23-17047-5K</b>	<b>KIT CW GEROTOR REPAIR 11/14V</b>	S23-17241-5K	KIT CAM STROKING CCW P11 14PRS V
S23-17048-5K	KIT CCW GEROTOR REPAIR 11/14V	<b>S23-17242-5K</b>	<b>KIT CAM STROKING CW P24 30 PRS</b>

Note: **BOLD = 1 week lead time or 24 Hr Emergency. All other items on standard lead time**

## Part Number Listing

S23-17243-5K	KIT CAM STROKING CCW P24 30PRS	S23-17436-0K	KIT ROT NO BARREL CCW P6F
<b>S23-17246-0K</b>	<b>KIT SHAFT BBL HLDW NRD P6,7,8</b>	S23-17437-0K	KIT ROT NO BARREL CW P7F
<b>S23-17247-0K</b>	<b>KIT SHAFT BBL HLDW RD P6,7,8</b>	S23-17438-0K	KIT ROT NO BARREL CCW P7F
<b>S23-17248-0K</b>	<b>KIT AUX SHAFT BBL HLDW M6,7,8H/V</b>	<b>S23-17444-0K</b>	<b>KIT COUPLING IMP AUX SAE-B P24</b>
<b>S23-17249-0K</b>	<b>KIT SHAFT BBL HLDW P M6,7,8F/G</b>	<b>S23-17445-0K</b>	<b>KIT COUPLING IMP AUX SAE-B P30</b>
<b>S23-17250-0K</b>	<b>KIT SHAFT BBL HLDW NRD 11 14</b>	S23-17446-0K	KIT COUPLING IMP AUX SAE-C P24
<b>S23-17251-0K</b>	<b>KIT SHAFT BBL HLDW RD 11 14</b>	S23-17447-0K	KIT COUPLING IMP AUX SAE-C P30
S23-17252-0K	KIT SHAFT BBL HLDW M11 14	S23-17448-0K	KIT COUPLING IMP AUX SAE-B-B P24
<b>S23-17253-0K</b>	<b>KIT SHAFT BBL HLDW NRD P24</b>	S23-17449-0K	KIT COUPLING IMP AUX SAE B B P30
<b>S23-17254-0K</b>	<b>KIT SHAFT BBL HLDW NRD P30</b>	S23-17450-0K	KIT COUPLING IMP AUX SAE-D P24
<b>S23-17255-0K</b>	<b>KIT SHAFT BBL HLDW RD P M24</b>	S23-17451-0K	KIT COUPLING IMP AUX SAE-D P30
<b>S23-17256-0K</b>	<b>KIT SHAFT BBL HLDW RD P30</b>	S23-17462-0K	KIT PISTON SHOE SET P6 M6
S23-17257-0K	KIT SHAFT BBL HLDW RD M30	S23-17463-0K	KIT PISTON SHOE SET P6V P6W
S23-17313-0K	KIT CAMCRADLE CONV CCW CW 6 8	S23-17464-0K	KIT PISTON SHOE SET P7 M7
S23-17314-0K	KIT CAMCRADLE CONV CCW CW 11 14	S23-17465-0K	KIT PISTON SHOE SET P7V P7W
S23-17315-0K	KIT CAMCRADLE CONV CCW CW 11 14	S23-17466-0K	KIT PISTON SHOE SET P8
<b>S23-17338-0K</b>	<b>KIT VALVE BLK W/FILTER GOLDCUP</b>	S23-17467-0K	KIT PISTON SHOE SET P11 M11
S23-17405-0K	KIT ROT NO BARREL CW P6P DRS	S23-17468-0K	KIT PISTON SHOE SET P14 M14
S23-17406-0K	KIT ROT NO BARREL CCW P6P DRS	S23-17469-0K	KIT PISTON SHOE SET P24FPRSL M24
S23-17407-0K	KIT ROT NO BARREL CW P7P DRS	S23-17470-0K	KIT PISTON SHOE SET P30FPRSL M30
S23-17408-0K	KIT ROT NO BARREL CCW P76P DRS	S23-17486-0K	KIT SHAFT KEY LG BRG 6 8P S 9***
S23-17409-0K	KIT ROT NO BARREL CW P8P RS	S23-17487-0K	KIT SHAFT KEY LG BRG 6 8P S 10***
S23-17410-0K	KIT ROT NO BARREL CCW P86P RS	S23-17488-0K	KIT SHAFT KEY LG BRG 11 14 S 9***
S23-17411-0K	KIT ROT NO BARREL CW P6V	S23-17489-0K	KIT SHAFT KEY LG BRG 11 14 S 10***
S23-17412-0K	KIT ROT NO BARREL CCW P6V	S23-17490-0K	KIT SHAFT KEY LG BRG 24 30P S 9***
S23-17413-0K	KIT ROT NO BARREL CW P7V	S23-17491-0K	KIT SHAFT KEY LG BRG 24 30P S 10***
S23-17414-0K	KIT ROT NO BARREL CCW P7V	S23-17492-0K	KIT SHAFT KEY LG BRG 6 8R L 9***
S23-17415-0K	KIT ROT NO BARREL CW P8V	S23-17493-0K	KIT SHAFT KEY LG BRG 6 8R L 10***
S23-17416-0K	KIT ROT NO BARREL CCW P8V	S23-17495-0K	KIT SHAFT KEY LG BRG 11 14R L 10***
S23-17417-0K	KIT ROT NO BARREL M6F GHV	S23-17496-0K	KIT SHAFT KEY LG BRG 24 30R L 9***
S23-17418-0K	KIT ROT NO BARREL M7F GHV	S23-17497-0K	KIT SHAFT KEY LG BRG 24 30R L 10***
S23-17419-0K	KIT ROT NO BARREL CW P11F RS	S23-17543-0K	KIT SHAFT SPLINE LIP SEALS P6 7R
S23-17420-0K	KIT ROT NO BARREL CCW P11F RS	S23-17544-0K	KIT CONTROL 2A 1XM B FIXED DISPL
S23-17421-0K	KIT ROT NO BARREL CW P14F PRS	<b>S23-17563-0K</b>	<b>KIT VALVE BLOCK REPAIR P V &amp; D</b>
S23-17422-0K	KIT ROT NO BARREL CCW P14F PR	S23-17631-0K	KIT 4 EA S13-44469-0 FD TB P24
S23-17423-0K	KIT ROT NO BARREL CW P11V	S23-17632-0K	KIT 4 EA S13-12172-0 FD TB 30
S23-17424-0K	KIT ROT NO BARREL CCW P11V	S23-17633-0K	KIT 5 EA S13-43966-0 L/H FD TB 11/14
S23-17425-0K	KIT ROT NO BARREL CW P14V	S23-17634-0K	KIT 5 EA S13-43697-0 R/H FD TB 11/14
S23-17426-0K	KIT ROT NO BARREL CCW P14V	<b>S23-17743-0K</b>	<b>KIT SEAL COMPLETE M6/7H/V SHAFT 1,2,3,6</b>
S23-17427-0K	KIT ROT NO BARREL M11F GHV	S23-17744-0K	KIT COMPL SEAL M6 7H V SHAFT 4,5
S23-17428-0K	KIT ROT NO BARREL M14F GHV	S23-17745-0K	KIT COMPL SEAL M6 7H V SHAFT 7,8
S23-17429-0K	KIT ROT NO BARREL CW P24F PRS	<b>S23-17746-0K</b>	<b>KIT SEAL COMPLETE M11/14H/V SHAFT 1,2,3,6</b>
S23-17430-0K	KIT ROT NO BARREL CCW P24F PR	<b>S23-17747-0K</b>	<b>KIT SEAL COMPLETE M24/30H/V SHAFT 2,3</b>
S23-17431-0K	KIT ROT NO BARREL CW P30F PRS	S23-17753-0K	KIT SEAL COMPLETE M6/7H/V SHAFT 7,8
S23-17432-0K	KIT ROT NO BARREL CCW P30F PR	<b>S29-05240-0K</b>	<b>KIT SHAFT KEYED PV6</b>
S23-17433-0K	KIT ROT NO BARREL M24F GHV	<b>S29-05241-0K</b>	<b>KIT SHAFT, SPLINE PV6</b>
S23-17434-0K	KIT ROT NO BARREL M30F GHV	<b>S29-05242-0K</b>	<b>KIT SHAFT, KEYED PV10</b>
S23-17435-0K	KIT ROT GROUP CW P6F	<b>S29-05243-0K</b>	<b>KIT SHAFT, SPLINED PV10</b>

Note: **BOLD** = 1 week lead time or 24 Hr Emergency. All other items on standard lead time

## Part Number Listing

S29-05244-0K	KIT SHAFT KEYED PV15	S29-15454-0K	KIT SEAL PV6 S1
S29-05245-0K	KIT SHAFT, SPLINED PV15	S29-15454-4K	KIT SEAL PV6 S4
S29-05246-0K	KIT SHAFT, KEYED PV20	S29-15454-5K	KIT SEAL PV6 S5
S29-05247-0K	KIT SHAFT, SPLINED PV20	S29-15455-0K	KIT SEAL PV10 S1
S29-05248-0K	KIT SHAFT, KEYED PV29	S29-15455-4K	KIT SEAL PV10 S4
S29-05249-0K	KIT SHAFT, SPLINED PV29	S29-15456-0K	KIT SEAL PV15 S1
S29-10708-0K	KIT ROTATING GROUP PV15 CW	S29-15456-4K	KIT SEAL PV15 S4
S29-12120-0K	KIT F"COMP(UNF)SER.REPL.PV"	S29-15456-5K	KIT SEAL PV15 S5
S29-12120-5K	KIT F"COMP(UNF)SER.REPL.PV"	S29-15457-0K	KIT SEAL PV20 S1
S29-12121-0K	KIT F"COMP(BSP)SER.REPL.PV"	S29-15457-5K	KIT SEAL PV20 S5
S29-12122-0K	KIT L"COMP(UNF)SER.REPL.PV"	S29-15458-0K	KIT SEAL PV29 S1
S29-12123-0K	KIT L"COMP(BSP)SER.REPL.PV"	S29-15458-5K	KIT SEAL PV29 S5
S29-12364-0K	KIT SERVICE TL PV 6-UNF	S29-15523-0K	KIT TORQUE LIMITER HIGH K PV20
S29-12365-0K	KIT SERVICE T.L. PV10-UNF	S29-15525-0K	KIT TORQUE LIMITER HIGH K PV10
S29-12366-0K	KIT SERVICE T.L. PV15-UNF	S29-15526-0K	KIT TORQUE LIMITER HIGH K PV6
S29-12367-0K	KIT SERVICE T.L. PV20-UNF	S29-15567-0K	KIT SHAFT SPLINED 1--- PVT15 SAE-B
S29-12368-0K	KIT SERVICE T.L. PV29-UNF	S29-15568-0K	KIT SHAFT KEYED 2--- PVT15 SAE-B
S29-12369-0K	KIT SERVICE T.L. PV 6-BSP	S29-15579-0K	KIT TORQUE LIMITER LOW J PV20/29
S29-12370-0K	KIT SERVICE T.L. PV10-BSP	S29-15581-0K	KIT TORQUE LIMITER LOW J PV6/10
S29-12371-0K	KIT SERVICE T.L. PV15-BSP	S29-16455-0K	KIT HANGER PVT 29
S29-12372-0K	KIT SERVICE T.L. PV20-BSP	S29-16590-0K	KIT HANGER BRONZE BUSHINGS PV20
S29-12373-0K	KIT SERVICE T.L. PV29-BSP	S29-16686-0K	KIT TORQUE LIMITER 29K 15J
<b>S29-12833-0K</b>	<b>KIT ROTATING GROUP CW PV6 -C</b>	S29-16687-0K	KIT TORQUE LIMITER 20K 15K
S29-12834-0K	KIT ROTATING GROUP CCW PV6 -C	S29-17498-0K	KIT PISTON SHOE SET PV6 PVT6
<b>S29-12835-0K</b>	<b>KIT ROTATING GROUP CW PV10-C</b>	S29-17499-0K	KIT PISTON SHOE SET PV10 PVT10
S29-12836-0K	KIT ROTATING GROUP CCW PV10-C	S29-17500-0K	KIT PISTON SHOE SET PV15 PVT15
<b>S29-12837-0K</b>	<b>KIT ROTATING GROUP CW PV15-C</b>	S29-17501-0K	PISTON SHOE SET PV20 PVT20
S29-12838-0K	KIT ROTATING GROUP CCW PV15-C	S29-17502-0K	KIT PISTON SHOE SET PV29 PVT29
<b>S29-12839-0K</b>	<b>KIT ROTATING GROUP CW PV20-C</b>	<b>S29-17614-0K</b>	<b>KIT PISTON SHOE GUIDE PLT PV6</b>
S29-12840-0K	KIT ROTATING GROUP CCW PV20-C	<b>S29-17615-0K</b>	<b>KIT PISTON SHOE GUIDE PLT PV10</b>
<b>S29-12841-0K</b>	<b>KIT ROTATING GROUP CW PV29-C</b>	<b>S29-17616-0K</b>	<b>KIT PISTON SHOE GUIDE PLT PV15</b>
S29-12842-0K	KIT ROTATING GROUP CCW PV29-C	<b>S29-17617-0K</b>	<b>KIT PISTON SHOE GUIDE PLT PV20</b>
<b>S29-15104-0K</b>	<b>KIT C"COMP.,SERVICEREPL.,PV"</b>	<b>S29-17618-0K</b>	<b>KIT PISTON SHOE GUIDE PLT PV29</b>
S29-15104-5K	KIT C"COMP.-SERVICEREPL.,PV"	S29-17672-0K	KIT ROT CONV UNF CW-UNF CCW PV6
S29-15414-0K	KIT SHAFT SPLINED 1*** PVT6 SAE B	S29-17673-0K	KIT ROT CONV UNF CCW-UNF CW PV6
S29-15415-0K	KIT SHAFT SPLINED 1*** PVT10 SAE B	S29-17674-0K	KIT ROT CONV BSPP CW-UNF CCW PV6
S29-15416-0K	KIT SHFT SPL 4*** TANDEM PV15	S29-17675-0K	KIT ROT CONV BSPP CCW-UNF CW PV6
S29-15417-0K	KIT SHAFT SPLINED 1*** PVT20	S29-17676-0K	KIT ROT CONV UNF CW-UNF CCW PVT6
S29-15418-0K	KIT SHAFT SPLINED 1*** PVT29	S29-17677-0K	KIT ROT CONV UNF CCW-UNF CW PVT6
S29-15419-0K	KIT SHAFT KEYED 2*** PVT6	S29-17678-0K	KIT ROT CONV UNF CW-UNF CCW PV10
S29-15420-0K	KIT SHAFT KEYED 2*** PVT10 SAE B	S29-17679-0K	KIT ROT CONV UNF CCW-UNF CW PV10
S29-15421-0K	KIT SHFT KEY 5*** TNDM PVT15 SAE B-B	S29-17680-0K	KIT ROT CONV BSPP CW-UNF CCW PV10
S29-15422-0K	KIT SHAFT KEYED 2*** PVT20	S29-17681-0K	KIT ROT CONV BSPP CCW-UNF CW PV10
S29-15423-0K	KIT SHAFT KEYED 2*** PVT29	S29-17682-0K	KIT ROT CONV UNF CW-UNF CCW PVT10
S29-15430-0K	KIT MTG PAD KIT REAR A PVT10/29	S29-17683-0K	KIT ROT CONV UNF CCW-UNF CW PVT10
S29-15431-0K	KIT MOUNTING PAD REAR SAE-B PVT	S29-17684-0K	KIT ROT CNV UNF CW-UNF CCW PV15
S29-15432-0K	KIT MTNG PAD KIT SAE-C REAR PVT20/29	S29-17685-0K	KIT ROT CONV UNF CCW-UNF CW PV15
S29-15433-0K	KIT MOUNTING PAD KIT REAR A PVT6	S29-17686-0K	KIT ROT CONV BSPP CW-UNF CCW PV15

Note: **BOLD = 1 week lead time or 24 Hr Emergency. All other items on standard lead time**







**Denison Hydraulics Inc**

14249 Industrial Parkway  
 Marysville, OH 43040 USA  
 Tel : ..... 937-644-3915  
 Fax : ..... 937-642-3738  
 E-mail:  
[denison@denisonhydraulics.com](mailto:denison@denisonhydraulics.com)

*Call toll-free*  
**800-551-5956**  
*in North America or*  
*visit*  
[www.denisonhydraulics.com](http://www.denisonhydraulics.com)  
*to locate a*  
**Denison representative**  
*nearest you.*

**North America**

**Canada**

Denison Hydraulics Canada Inc.  
 2880 Brighton Road, Unit 1  
 Oakville, ON L6H 5S3, Canada  
 Tel : +1 (905) 829-5800  
 Fax : +1 (905) 829-5805

**Latin America**

**Mexico, Central America, South America, Caribbean countries**

Denison Hydraulics Inc.  
 7850 NW 146 Street  
 Suite 512  
 Miami Lakes, FL 33016, USA  
 Tel : +1 (305) 362-2246  
 Fax : +1 (305) 362-6220

**Asia-Pacific**

**Australia**

Denison Hydraulics PTY  
 41-43 St Hilliers Road  
 P.O.Box 192  
 Auburn N.S.W. 2144, Australia  
 Tel : +61 (2) 9646 5200  
 Fax : +61 (2) 9643 1305

**Hong Kong**

Denison Hydraulics Ltd.  
 Unit 6A, 33/F Cable TV Tower  
 9 Hoi Shing Road, Tsuen Wan  
 NT, Hong Kong  
 Tel : +852 2498 8381  
 Fax : +852 2499 1522

**Japan**

Denison Japan Inc.  
 4-2-1 Tsujido-Shinmachi  
 Fujisawa 251-0042, Japan  
 Tel : +81 (466) 35-3050  
 Fax : +81 (466) 35-2019

**People Republic of China**

Shanghai Denison Hydraulics  
 Engineering Ltd.  
 Room 8018, No. 601  
 Zhang Yang Road,  
 Pudong New Area  
 Shanghai 200120, P.R. China  
 Tel : +86 (21) 58205042 / 34  
 Fax : +86 (21) 58205014

**Singapore**

Denison Hydraulics PTE LTD  
 Blk 4012 Ang Mo Kio Ave 10,  
 Unit #07-01D Techplace I  
 Singapore 569628  
 Tel : +65 268 7840  
 Fax : +65 268 7847

**Taiwan**

Denison Hydraulics LTD  
 6F-10, No. 79,  
 Sec. 2 Roosevelt Rd,  
 Taipei, Taiwan, ROC  
 Tel : +886-2-23645101  
 Fax : +886-2-23639025

**Europe**

**Austria**

Denison Hydraulics GmbH  
 Zweigniederlassung Linz  
 Haibachstraße 69  
 4061 Pasching, Austria  
 Tel : +43 (72 29) 48 87  
 Fax : +43 (72 29) 6 30 92

**Benelux**

Denison Hydraulics Benelux B.V.  
 Pascalstraat 100  
 3316 GR Dordrecht, Holland  
 Tel : +31 (78) 6543 070  
 Fax : +31 (78) 6175 755

**Denmark**

Denison Hydraulics Denmark A/S  
 Industriekrogen 2  
 2635 Ishøj, Denmark  
 Tel : +45 (4371) 15 00  
 Fax : +45 (4371) 15 16

**Finland**

Denison Lokomec Oy  
 Polunmäenkatu 22  
 P.O. Box 116  
 33721 Tampere, Finland  
 Tel : + 358 (3) 357 5100  
 Fax : + 358 (3) 357 5111

**France**

Denison Hydraulics S.A.  
 14 route du bois blanc  
 BP 539  
 18105 Vierzon, France  
 Tel : +33 (2) 48 53 01 20  
 Fax : +33 (2) 48 75 02 91

**Great Britain**

Denison Hydraulics UK LTD  
 Kenmore Road  
 Wakefield 41, Industrial Park  
 Wakefield, WF2 0XE  
 West Yorkshire, England  
 Tel : +44 (1924) 826 021  
 Fax : +44 (1924) 826 146

**Germany**

Denison Hydraulics GmbH  
 Auf dem Sand 14  
 D 40721 Hilden, Germany  
 Tel : +49 (0) 2103 / 940-3  
 Fax : +49 (0) 2103 / 940-558

**Italy**

Denison Hydraulics Srl  
 Via Le Europa 68  
 20090 Cusago (MI), Italy  
 Tel : +39 (02) 90330-1  
 Fax : +39 (02) 90390694/5/6  
 Denison Calzoni S.p.A  
 Via Caduti di Sabbiano15/17  
 40011 Anzola dell'Emilia  
 Bologna, Italy  
 Tel : +39 (051) 6501611  
 Fax : +39 (051) 736221

**Spain**

Denison Hydraulics S.A.  
 Gomis 1  
 08023 Barcelona, Spain  
 Tel : +34 (93) 253 1990  
 Fax : +34 (93) 211 6507

**Sweden**

Denison Hydraulics Svenska AB  
 Sporregatan 13  
 213 77 - Malmö, Sweden  
 Tel : +46 (40) 600 13 00  
 Fax : +46 (40) 600 13 50

**Others**

**Other European, Middle East, African countries**

Denison Hydraulics S.A.  
 ATTN: Export Office  
 14 route du bois blanc  
 BP 538  
 18105 Vierzon, France  
 Tel : +33 (2) 48 53 01 20  
 Fax : +33 (2) 48 53 01 46

For more information, please contact:

**DENISON Hydraulics**

<http://www.denisonhydraulics.com>