

Piston Pumps & Motors



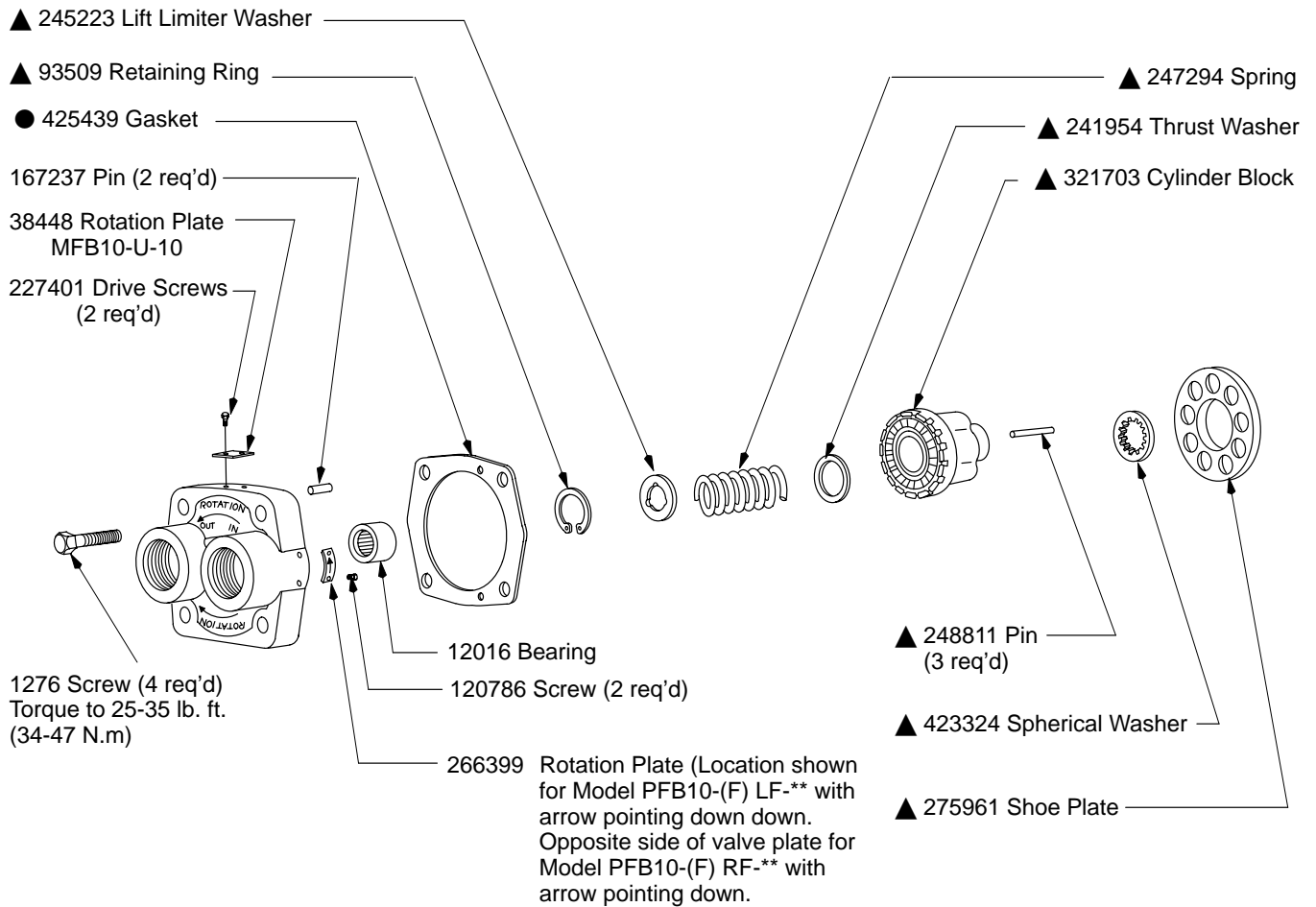
10 USgpm Fixed Displacement Inline Piston Units

MFB10-(F)U(Y)-20

MFB10-(F)U(Y)-30/31

PFB10-(F)*(Y)-20

PFB10-(F)*(Y)-30/31

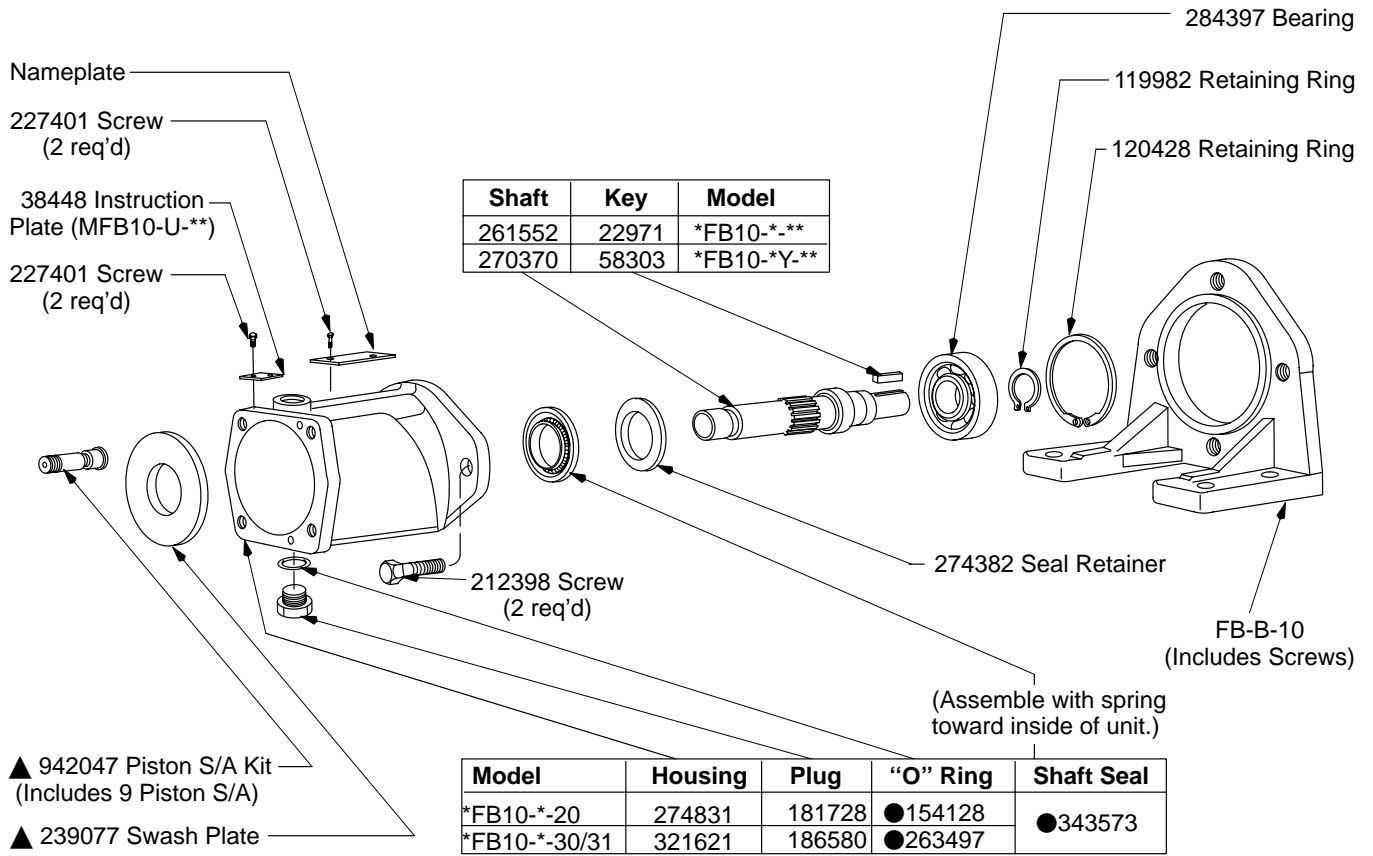


Model	Valve Plate S/A (Includes 12012 Bearing)
PFB10-R-20	938389
PFB10-R-30/31	942048
PFB10-L-20	938390
PFB10-L-30/31	942049
MFB10-U-20	938391
MFB10-U-30/31	942050

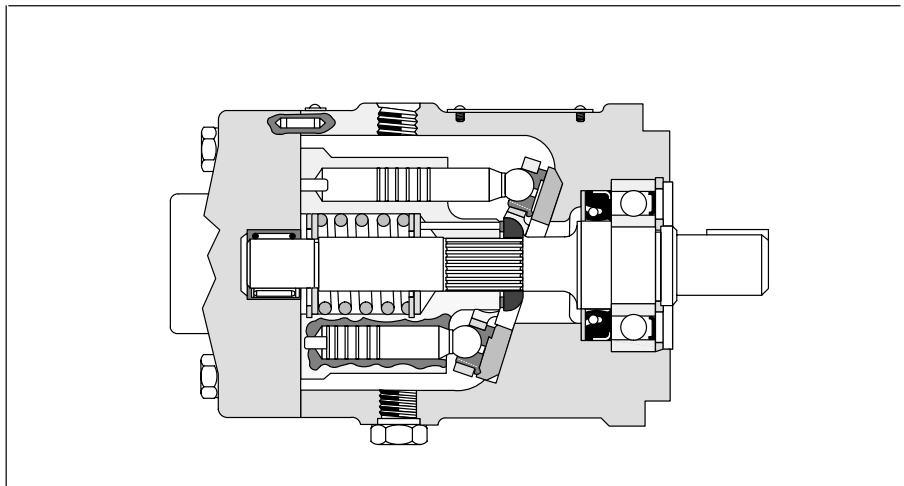
▲ Included in Rotating Group Kit 938272

F3 Equivalent 919312 Seal Kit

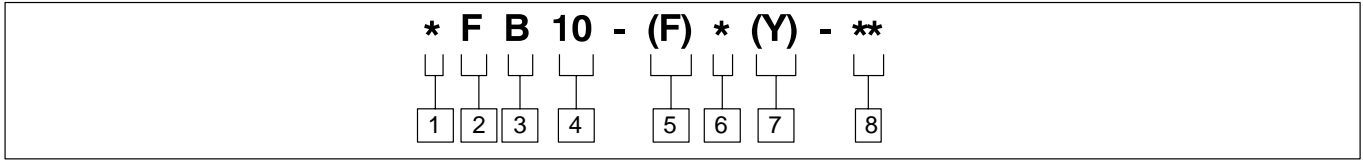
● Included in Seal Kit:
 -20 Design - 919240
 -3* Design - 919521



NOTE
See overhaul manual I-3230-S for maintenance information.



Model Code



1 Model

M - Motor
P - Pump

2 Fixed Displacement

3 Inline type

4 Flow rating @ 1800 rpm

10 - 10 USgpm

5 Mounting

F - Foot bracket
Omitted - Flange

6 Rotation

R - Right Hand (Pumps only)
L - Left Hand (Pumps only)
U - Either direction

7 Input shaft

Y - Standard
Omitted - Short shaft

8 Design

For satisfactory service life of these components, use full flow filtration to provide fluid which meets ISO cleanliness code 16/13 or cleaner. Selections from pressure, return, and in-line filter series are recommended.