

Service Data

Vickers®

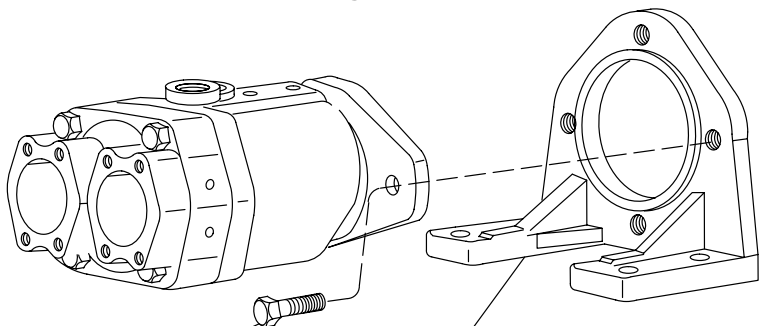
Piston Motors



Fixed Inline Piston Motor

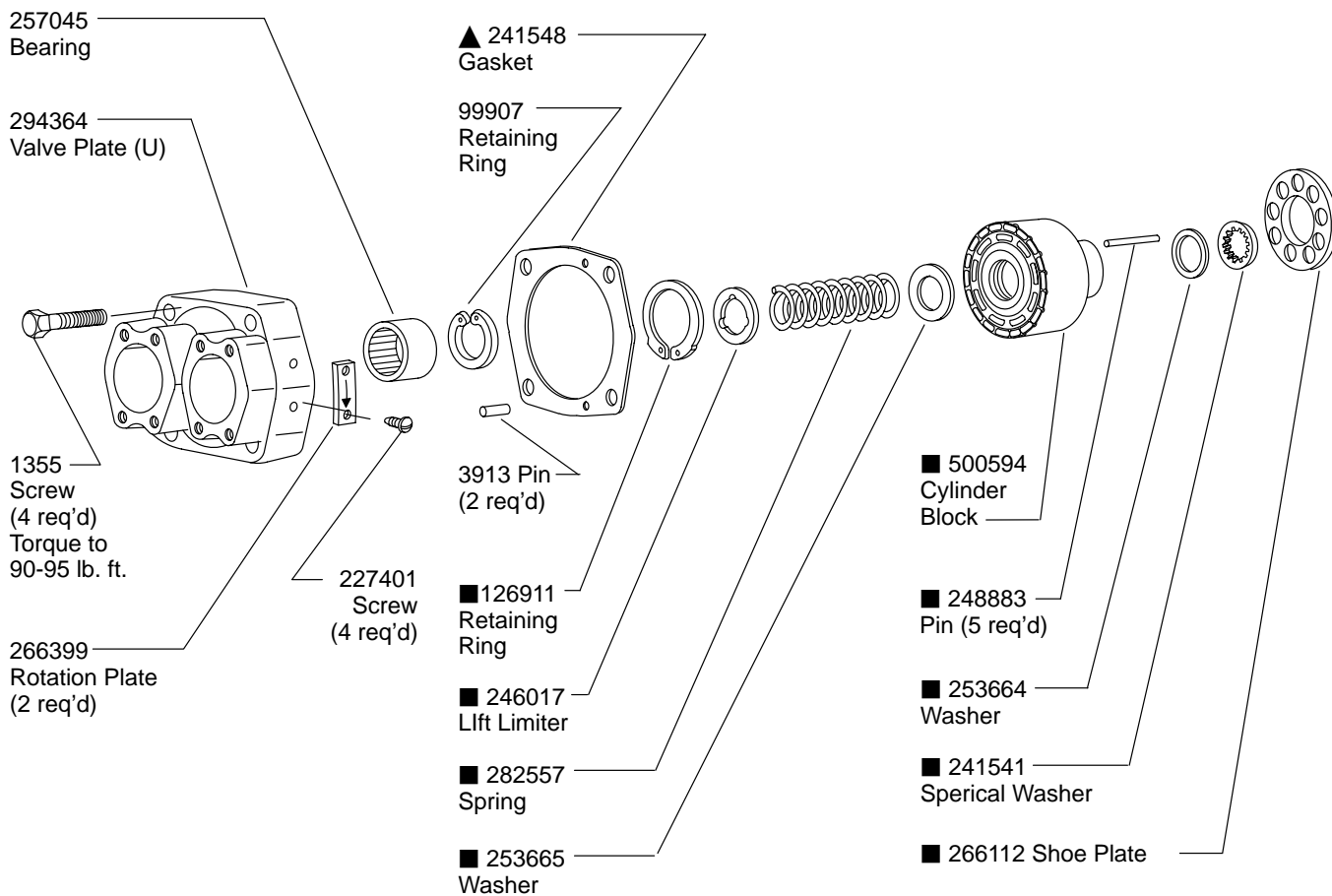
(M)-MFB45-U*-10

Foot Mounting Bracket



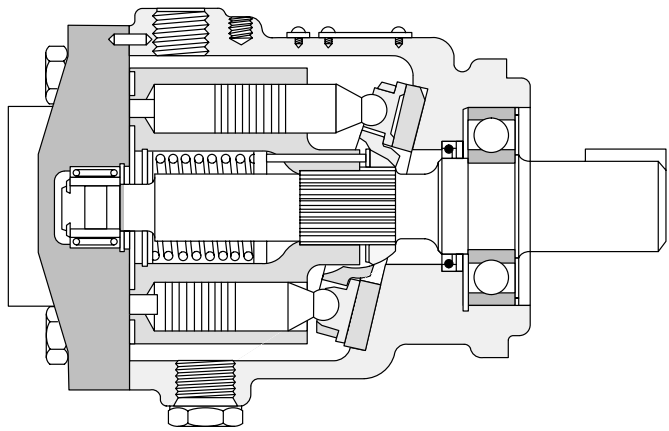
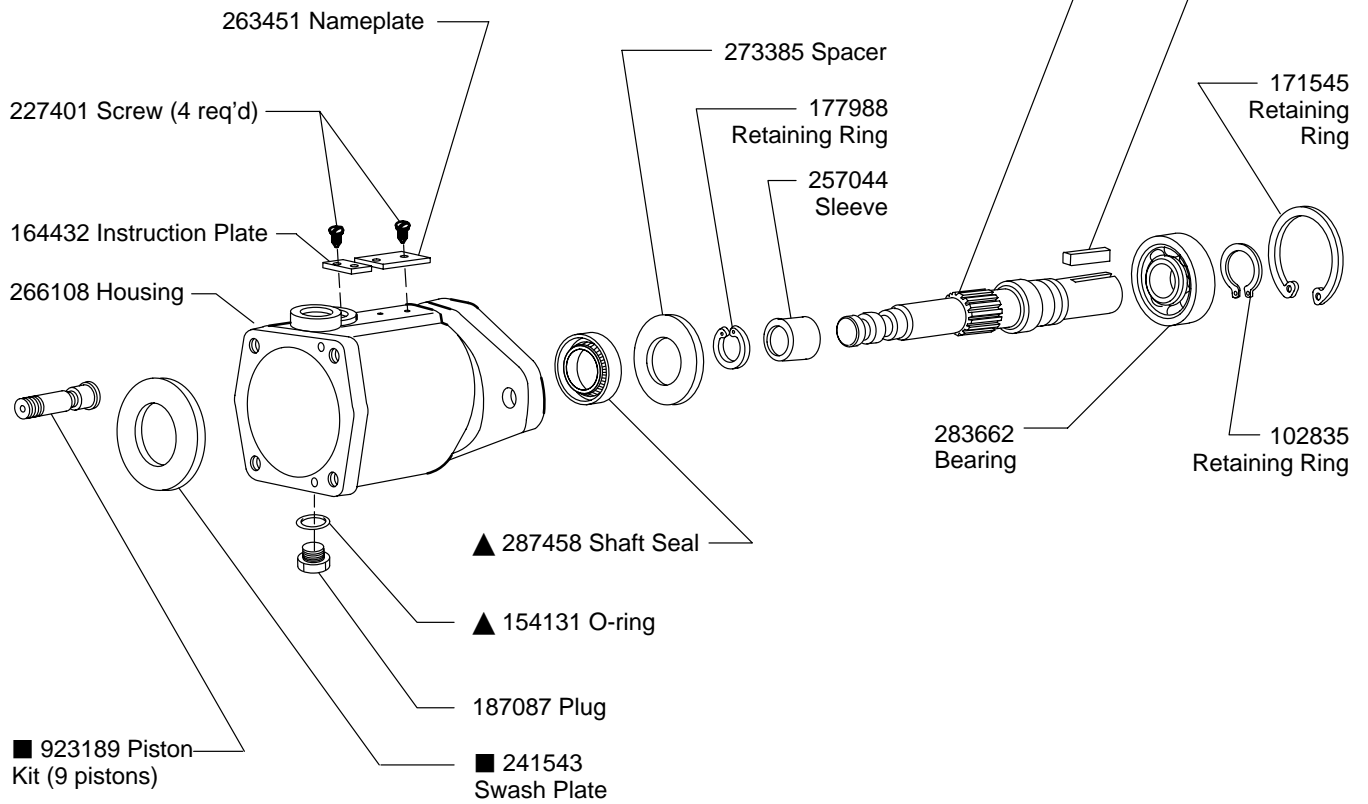
212464 Screw
(2 req'd)

Mounting Kit FB-C-10
(Includes Screws)



■ Included in Rotating Group Kit 923001

Model Designation	Shaft	Key
M-MFB45-*F-10	294360	247101
M-MFB45-*E-10	322355	—

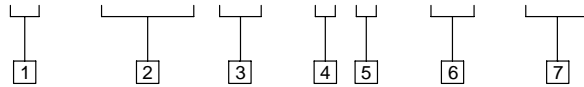


Assembly View

▲ Service all units with F3 Seal Kit 923000

Model Code

M - MFB 45 - U * - 10 - ***



1 Mobile Application

2 Model Series

MFB - Motor, fixed displacement,
inline piston type, B series

3 Flow Rating
@1800 RPM

45 - 45 USgpm

4 Shaft Rotation
(Viewed from shaft end)

U - Either direction

5 Optional Shafts and Porting

E - Splined Shaft
SAE 4-bolt flange
F - Straight keyed shaft
SAE 4-bolt flange

6 Design

7 Special Features

For satisfactory service life of these components in industrial applications, use full flow filtration to provide fluid which meets ISO cleanliness code 20/18/15 or cleaner. Selections from Eaton OFP, OFR, and OFRS series are recommended.