

Vickers®

Service Data

Piston Pumps



Fixed Inline Piston Units 5 USgpm

PFB5-(F)*Y-22

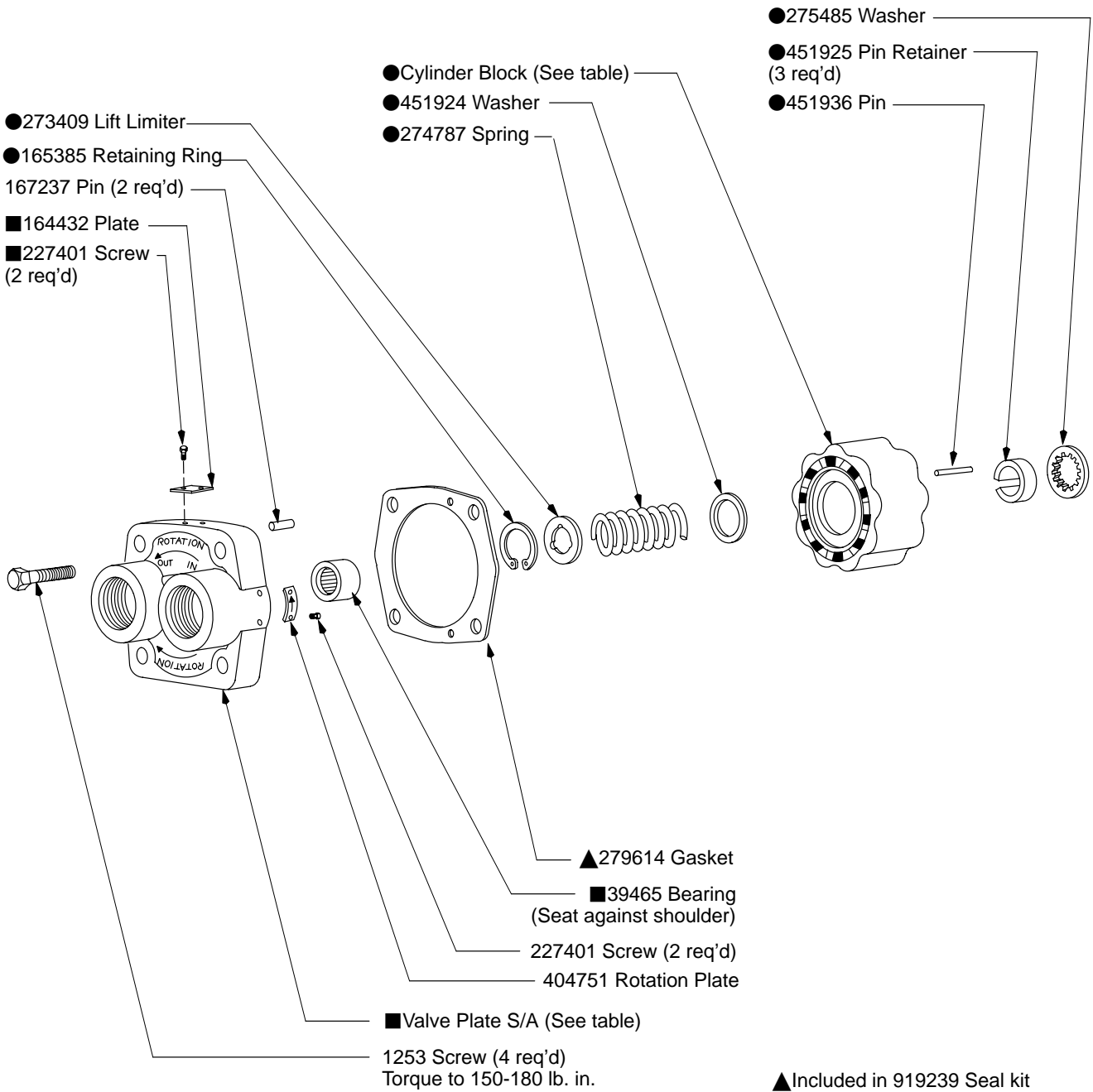
MFB5-(F)*Y-21



Released 02-01-93

I-3229-S

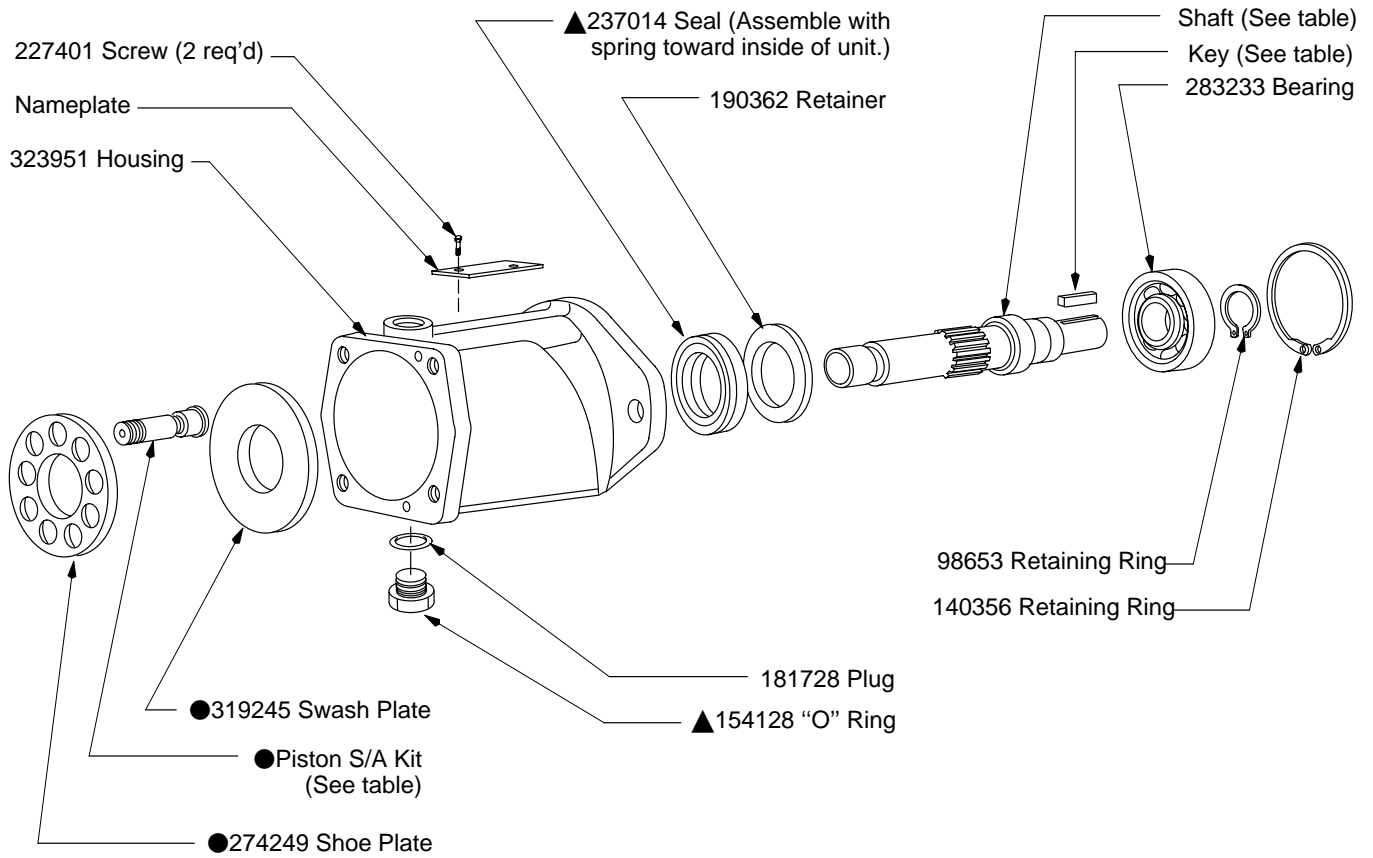
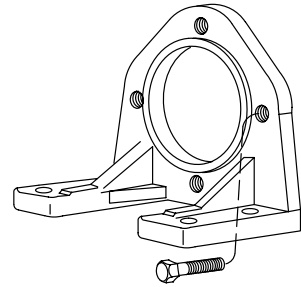
Model	Valve Plate S/A
PFB5-(F)RY-22	942313
PFB5-(F)LY-22	942314
*FB5-(F)U(Y)-21	938551



- ▲ Included in 919239 Seal kit
F3 equivalent 919311
- Included in Valve Plate S/A
- Included in Rotating Group

FOOT BRACKET OPTION

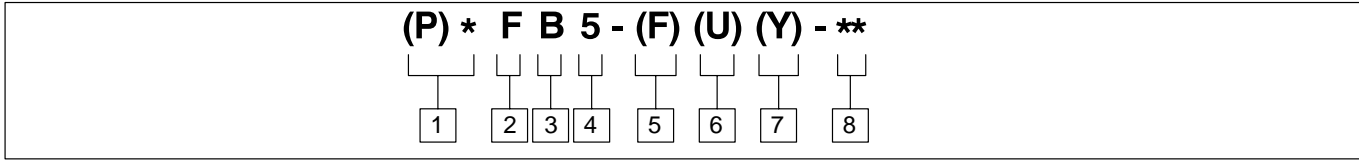
FB-A-10 Mounting kit
(Includes screws)



Shaft	Key	Model
274669	157671	Std.
266161	142843	Heavy duty

Cylinder Block	Piston S/A Kit	Rotating Group	Model
677061	942229	875775	PFB5
677059		875772	MFB5

Model Code



1 Model

P - Pump
M - Motor

2 Fixed Displacement

3 Inline Type

4 USgpm flow rating @ 1800 rpm

5 - 5 USgpm

5 Mounting

Omitted - Flange
F - Foot bracket

6 Rotation

(Viewed from shaft end)

U - Either direction
R - Right hand (CW)
L - Left hand (CCW)

7 Input

Omitted - Light duty
Y - Heavy duty

8 Pump Design

PFB - 22
MFB - 21

For satisfactory service life of these components, use full flow filtration to provide fluid which meets ISO cleanliness code 16/13 or cleaner. Selections from pressure, return, and in-line filter series are recommended.