

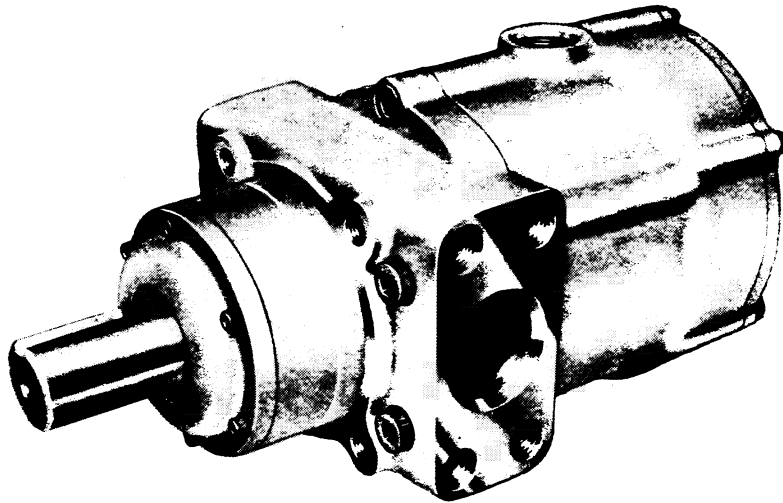
**DENISON**

**Hydraulics**

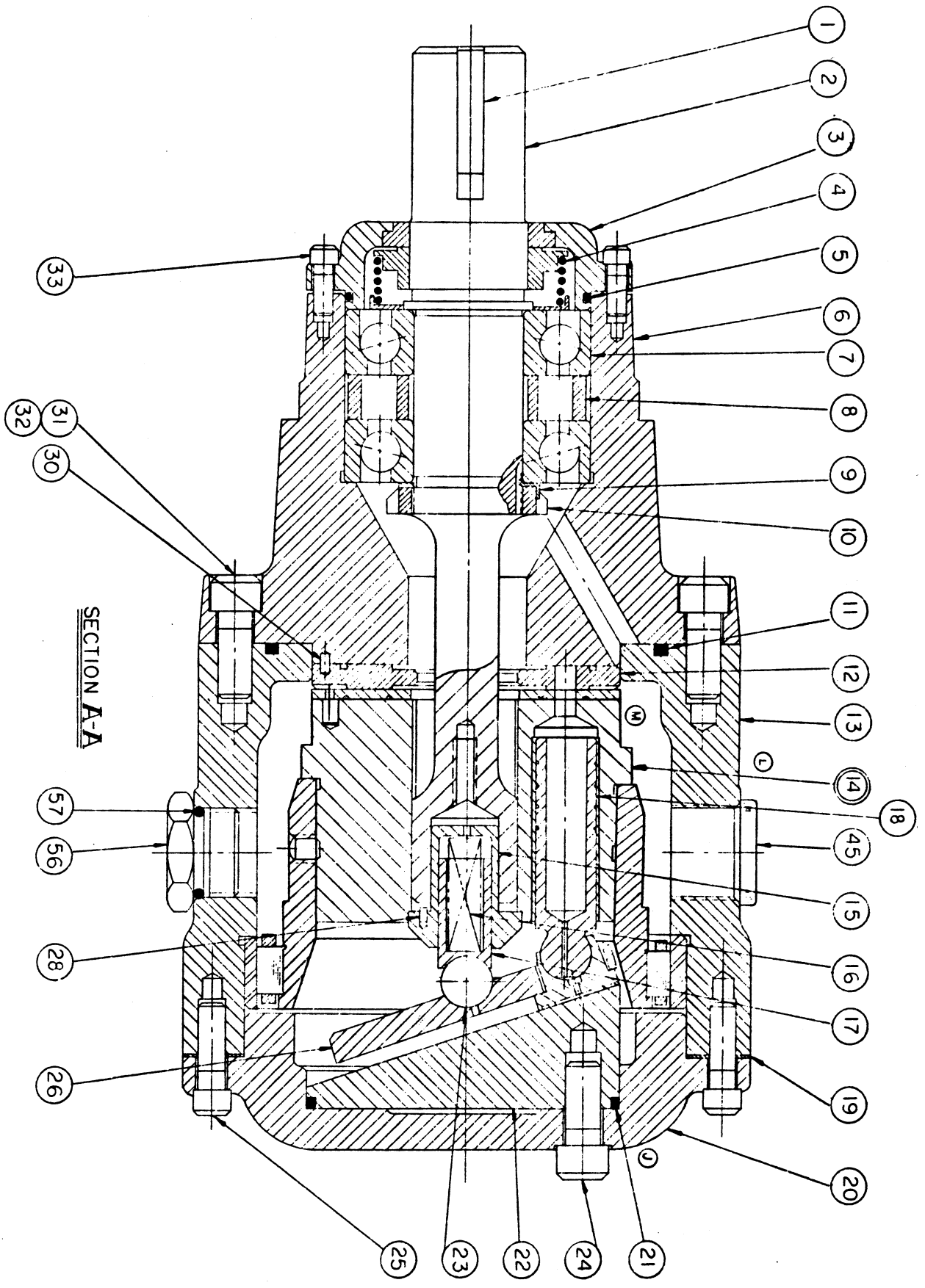
**SERVICE LITERATURE**

**AXIAL PISTON CONSTANT VOLUME PUMPS**

**MODEL P1F07  
with Spring Hold Down**



| REF. NO. | PART NUMBER | DESCRIPTION                                      | QUANTITY   |
|----------|-------------|--|------------|
| 1        | 035-20101   | Key - Shaft                                      | 1          |
| 2        | 035-40737   | Shaft  | 1          |
| 3        | 035-40718   | Retainer - Shaft Seal                            | 1          |
| 4        | 623-12260   | Seal - Mechanical - Shaft                        | 1          |
| 5        | 671-00236   | "O" Ring - Seal Retainer                         | 1          |
| 6        | 035-40724   | Port Block                                       | 1          |
| 7        | 230-20308   | Bearing - Shaft (Matched Pair)                   | 1          |
| 8        | S15-13495   | Sub-assembly - Bearing Spacers                   | 1          |
| 9        | 350-01008   | Lockwasher - #W-08 - Shaft Bearing               | 1          |
| 10       | 341-10008   | Locknut - #N-08 - Shaft Bearing                  | 1          |
| 11       | 671-00254   | "O" Ring - Body                                  | 1          |
| 12       | See Page 4  | Port Plate                                       | 1          |
| 13       | 035-40720   | Body   | 1          |
| 14       | See Page 4  | Barrel & Bearing Assembly                        | 1          |
| 15       | 035-11818   | Retainer - Holddown Spring                       | 1          |
| 16       | 035-22174   | Spring - Holddown                                | 1          |
| 17       | 035-13342   | Socket - Holddown Spring                         | 1          |
| 18       | See Page 4  | Piston & Shoe Assembly                           | 7          |
| 19       | 035-40751   | Gasket - End Cap                                 | 1          |
| 20       | 035-40722   | End Cap  | 1          |
| 21       | See Page 4  |  | 1          |
|          |             | <u>5000 PSI</u>                                  |            |
|          |             | <u>3500 PSI</u>                                  |            |
| 22       | 035-13377   | Plate - Cam 21.0 GPM @ 1200 RPM                  | 27.3 GPM 1 |
|          | 035-18691   | Plate - Cam 18.3 GPM @ 1200 RPM                  | 23.8 GPM 1 |
|          | 035-13359   | Plate - Cam 15.7 GPM @ 1200 RPM                  | 20.4 GPM 1 |
|          | 035-12891   | Plate - Cam 13.3 GPM @ 1200 RPM                  | 17.3 GPM 1 |
|          | 035-13965   | Plate - Cam 9.4 GPM @ 1200 RPM                   | 12.2 GPM 1 |
| 23       | 201-24001   | Ball - 3/4" Dia. - Holddown                      | 1          |
| 24       | 358-20186   | SHCS - 1/2-13 UNC X 1-1/4 - Nylock - Cam Plate   | 1          |
| 25       | 358-16180   | SHCS - 3/8-16 UNC X 1-1/4 LG - End Cap           | 6          |
| 26       | 035-11826   | Shoe Retainer                                    | 1          |
| 28       | 325-04040   | Rollpin - 1/16 Dia. X 1/4 LG - Spring Retainer   | 1          |
| 30       | 324-21208   | Dowel Pin - 3/16 Dia. X 1/2 LG - Port Plate      | 1          |
| 31       | 358-20180   | SHCS - 1/2-13 UNC X 1-1/4 LG - Port Block        | 2          |
| 32       | 358-20340   | SHCS - 1/2-13 UNC X 3-1/2 LG - Port Block        | 4          |
| 33       | 358-12120   | SHCS - 1/4-20 UNC X 3/4 LG - Seal Retainer       | 6          |
| 34       | 035-12747   | Tag - Drain                                      | 1 NS       |
| 36       | 035-12808   | Tag - Drain                                      | 1 NS       |
| 37       | 035-14292   | Tag - Inspection                                 | 1 NS       |
| 38       | #2435       | Tag - Filling                                    | 1 NS       |
| 39       | 035-20643   | Plate - Rotation                                 | 1 NS       |
| 40       | 035-26011   | Conn. - Suction - 2" IPS                         | 1 NS       |
| 41       | 320-10203   | Screw - Drive Type "U" - #2-3/16 RD HD - No Slot | 6 NS       |
| 42       | 035-41541   | Plate - Name                                     | 1 NS       |
| 43       | 035-11831   | Conn. - Pressure - 1-1/2 IPS                     | 1 NS       |
| 44       | 358-26240   | Screw - S.H.C. 3/4-10 NC X 2" LG                 | 8 NS       |
| 45       | 449-00019   | Plug W/Gasket - 1-5/16-12 ST THD FOR 1" Tube     | 1          |
| 46       | 671-00226   | Gasket - "O" Ring - 6230-4 - 2" ID X 2-1/4 OD    | 2 NS       |
| 47       | 449-00008   | Plug W/Gasket - 1-1/2" ALUM                      | 1 NS       |
| 48       | 449-00011   | Plug W/Gasket - 2" ALUM                          | 1 NS       |
| 49       | #2464       | Tag (MIL-0-6093A Aircraft Oil Only)              | 1 NS       |
| 50       | 035-13286   | Bracket - Mount - High                           | 1 NS       |
| 51       | 035-11980   | Bracket - Mount - Low                            | 1 NS       |
| 52       | 035-12036   | Flange - Mount                                   | 1 NS       |
| 53       | 358-20260   | SHCS - 1/2-13 NC X 2-1/4 (For Bracket Mount)     | 4 NS       |
| 54       | 358-20280   | SHCS - 1/2-13 NC X 2-1/2 (For Flange Mount)      | 4 NS       |
| 55       | S15-12247   | Sub-Assembly - Dust Cover                        | 1 NS       |
| 56       | 488-14164   | Plug - AN-814-D-16                               | 1          |
| 57       | 671-00916   | "O" Ring   | 1          |

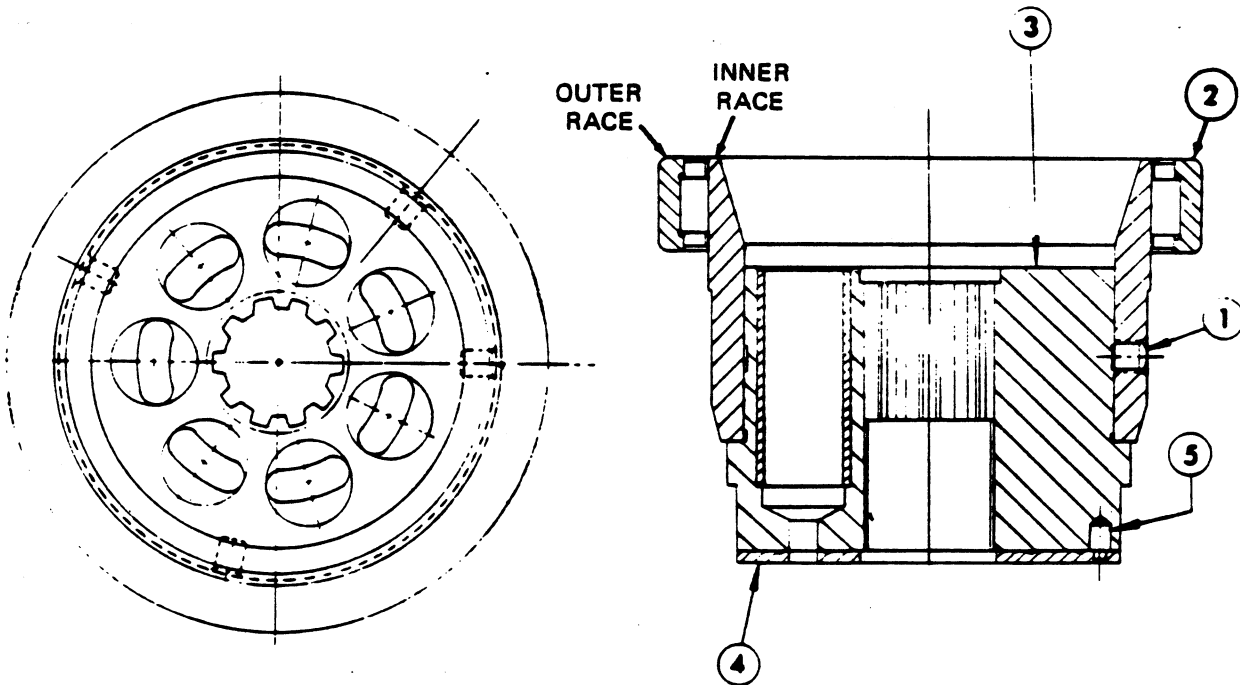


|                                       |                                       |  |
|---------------------------------------|---------------------------------------|--|
| 4.05 cu. in.<br>5000 psi<br>P1F07-020 | 5.29 cu. in.<br>3500 psi<br>P1F07-027 | Item 12                                    |
| 035-42076                             | 035-43513                             | Right hand port plate                      |
| 035-44451                             | 035-43369                             | Left hand port plate                       |
| 035-41843                             | 035-42355                             | Bi-Directional port plate                  |
| Item 18                               |                                       |  |
| S15-00511                             | S15-14665                             | Piston & Shoe Assy. w/retainer             |
| S15-00512                             | S15-14608                             | Piston & Shoe only (7)                     |
| 035-11826                             | 035-11826                             | Shoe retainer only (1)                     |
| Item 21                               |                                       |  |
| 035-29600                             | 671-00244                             | "O" Ring - Cam Plate<br>Gasket - Cam Plate |

## BARREL & BEARING ASSEMBLY

| No. | Qty. | 5.29 Cu. In.<br>3500 psi<br>P1F07-027<br>S15-41419 | 4.06 Cu. In.<br>5000 psi<br>P1F07-020<br>S15-41417 | Description                                    |
|-----|------|--|--|--|
| 1   | 4    | 312-35038  | 312-35038  | 3/8-24x3/8 Soc. set screws<br>Cup pt. Spot Lok |
| 2   | 1    | 035-49652  | 035-49652  | Barrel bearing                                 |
| 3   | 1    | S15-41414  | S15-41415  | Barrel assy. w/sleeves                         |
| 4   | 1    | 035-70403  | 035-70402  | Face plate                                     |
| 5   | 2    | 035-49825  | 035-49825  | Face plate pins                                |

### BARREL ASSY.



**HÄGGLUNDS DENISON**  
MEMBER OF THE ASEA-GROUP

HÄGGLUNDS DENISON CORP., 1220 Dublin Road, Columbus, Ohio U.S.A. 43216  
Call 1-800-982-0030 for the distributor nearest you