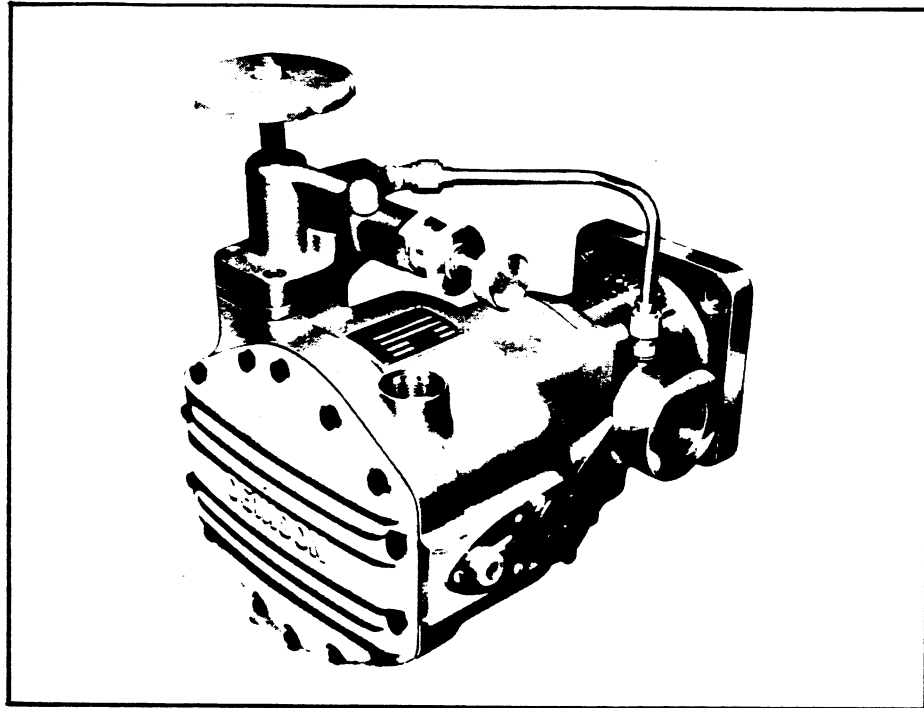


DENISON

Hydraulics

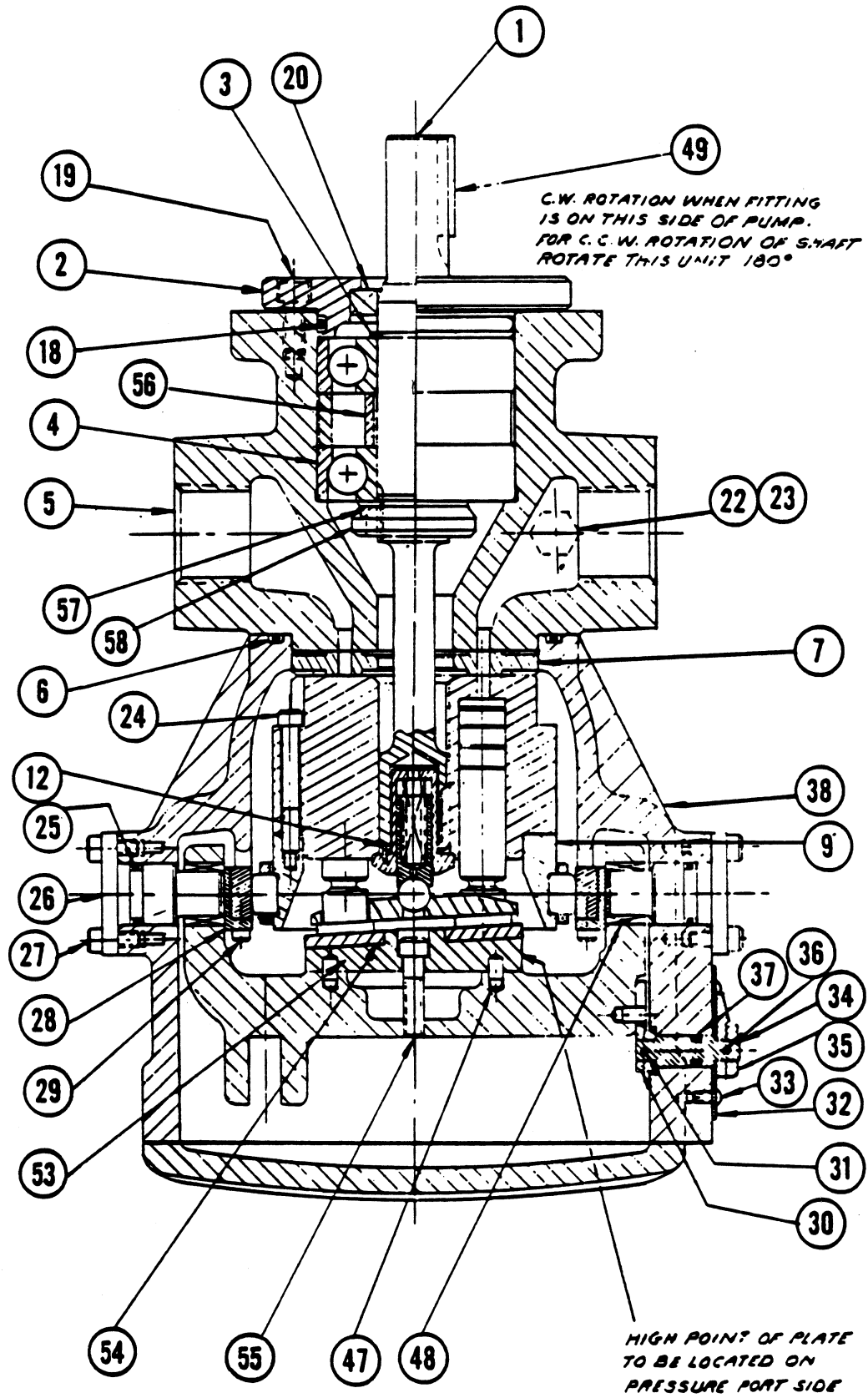
SERVICE LITERATURE

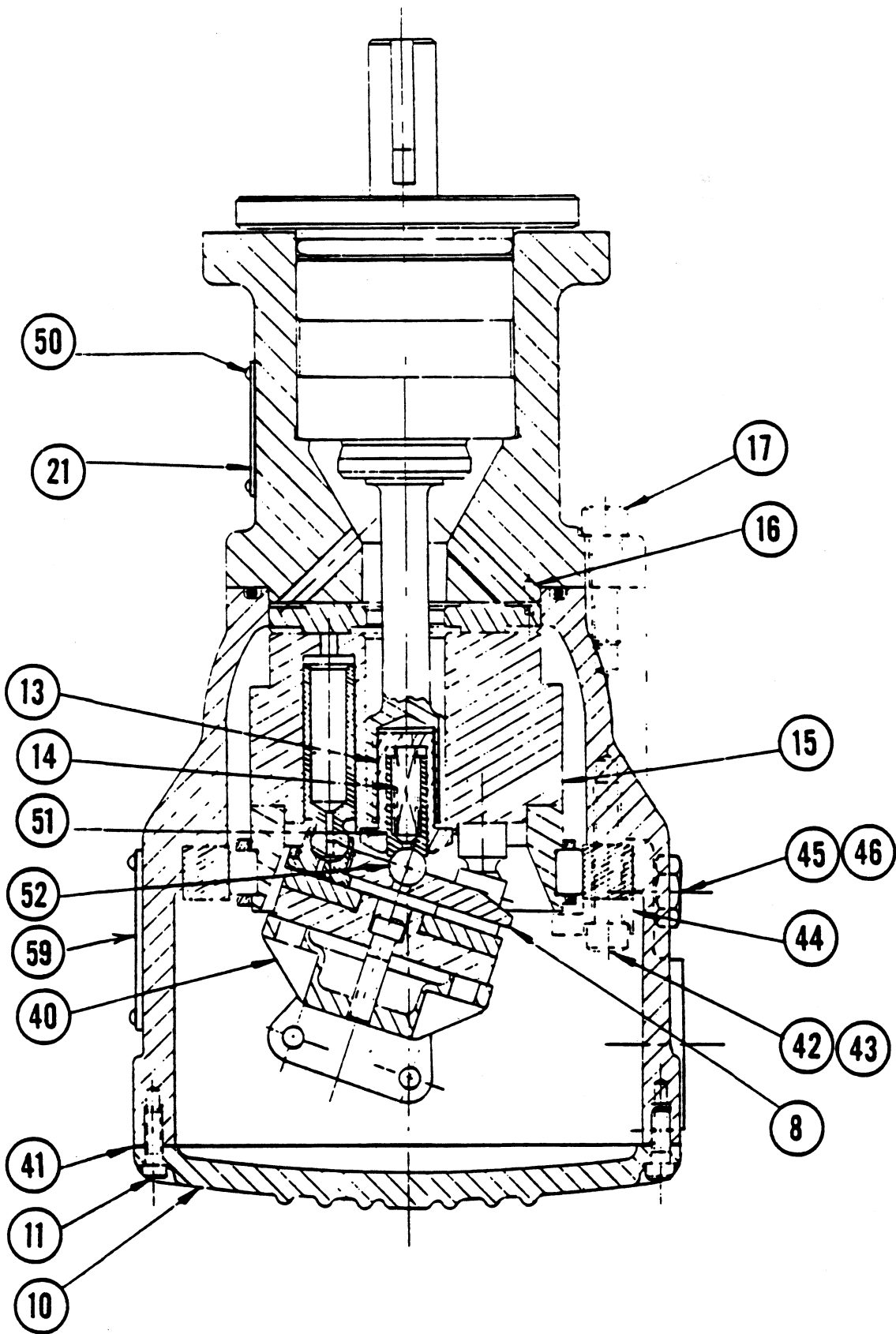


**INDUSTRIAL 500 SERIES
VARIABLE VOLUME PUMPS**

**WITH PRESSURE COMPENSATOR &
MAXIMUM VOLUME CONTROL**

**MODELS PV05-006-31L-063 &
PV05-006-31R-063**



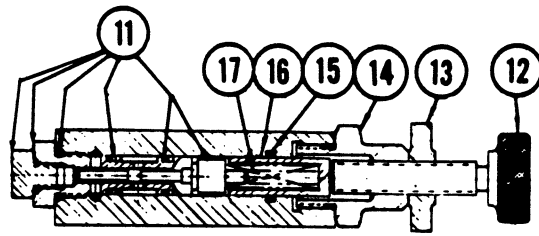


SD-00013

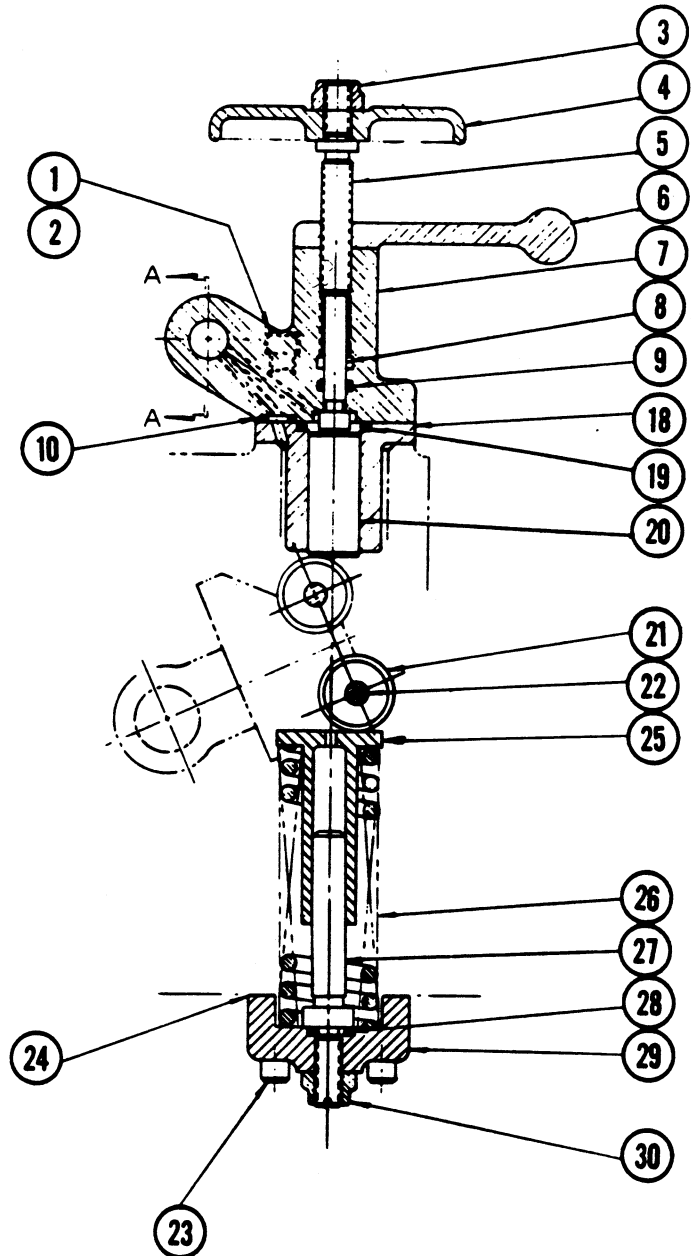
Item No.	Part No.	Description	Qty
1	358-12220	SHC screw 1/4-20 X 1-3/4	2
2	358-12180	SHC screw 1/4-20 X 1-1/4	2
	515-14874	Compensator cap assy. (3 thru. 17)	1
3	331-13000	Stop nut 5/16-24	1
4	035-27112	Handwheel	1
5	035-27111	Control screw	1
6	035-27109	Control handle	1
7	035-27114	Compensator cap	1
8	035-27110	Control stop	1
9	671-00010	"O" ring 70-6227-5	1
10	671-00011	"O" ring 70-6227-6	1
11	515-12562	Compensator spool & sleeve Ass'y	1
12	035-27149	Adjusting screw	1
13	035-10188	Lock nut	1
14	035-27108	Compensator nut	1
15	671-00111	"O" ring 70-6227-9	1
16	035-27106	Spring guide	1
17	035-28313	Compensator spring	1
18	035-45231	Piston housing	1
19	671-00115	"O" ring 70-6227-13	1
20	035-45233	Control piston	1
21	230-40614	Needle bearing #614 YV	2
22	324-21614	Dowel pin 1/4 X 7/8	2
23	358-12180	SHC screw 1/4-20 X 1-1/4	2
24	035-27105	Vellumoid gasket	2
	515-12563	Min. volume stop assy. (25 - 30)	1
25	035-42034	Tongue	1
26	035-29739	Compression spring	1
27	035-42035	Stem	1
28	671-00012	"O" ring 70-6227-12	1
29	035-27104	Stop cap	1
30	331-13000	Stop nut 5/16-24	1

The Following Parts Are Not Shown:

035-28695	Tubing (for LH pump)	1
035-29395	Tubing (for RH pump)	1
493-10401	Fitting	1
495-10000	Fitting 45°elbow One required on RH - Two on LH pumps	1

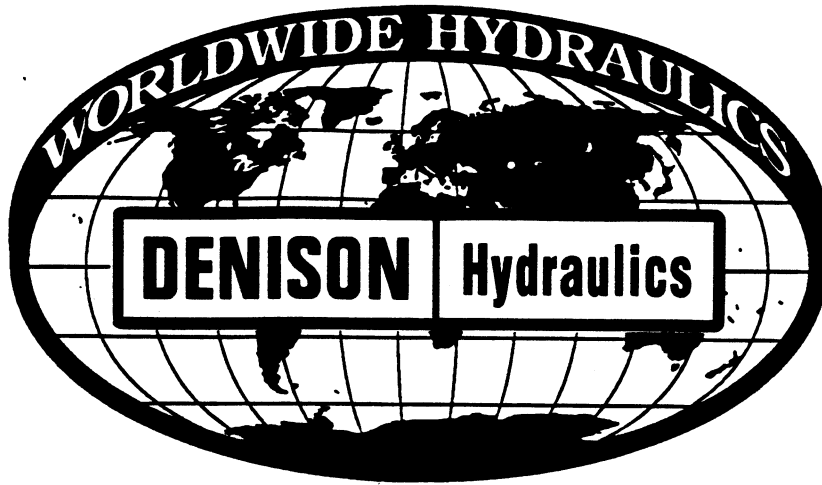


SECTION A-A



SD-12570

Item No.	Part No.	Description	Qty	Item No.	Part No.	Description	Qty
1	035-14422	Shaft	1	30	035-27155	Indicator Link	1
2	035-12691	Seal Retainer	1	31	322-02320	Cotter Pin (1/16 X 1)	
3	356-11305	Snap Ring	1	32	035-27098	Indicator Plate	1
4	230-07305	Bearing	1 pr	33	310-06040	Screw, Rd. Hd. Mech. (6-32 X 1/4)	3
5	035-27862	Port Block	1	34	035-27097	Indicator Shaft	1
6	671-00238	"O" Ring 70-6230-16	1	35	035-27099	Indicator	1
7	035-27678 035-27679	Port Plate RH Port Plate LH	1 1	36	323-10410	Pin-Drive (1/16 X 5/8)	1
8	515-12316	Piston & Shoe Ass'y	1	37	671-00010	"O" Ring 70-6227-5	1
9	035-27085	Bearing	1	38	035-27088	Hanger Housing	1
10	035-27101	End Cap	1	39	035-28230	Nameplate	1
11	309-09100	Screw, Sec. Hd. Cap (10-32 X 5/8)	14	40	035-27083	Hanger	1
12	325-04040	Rollpin (1/16 X 1/4)	1	41	035-27100	Gasket, End Cap	1
13	035-12690	Spring Retainer	1	42	358-14200	Screw, Sec. Hd. Cap (5/16-18 X 1 1/2)	2
14	035-22136	Compression Spring	1	43	358-14180	Screw, Sec. Hd. Cap (5/16-18 X 1 1/2)	2
15	035-14409	Cylinder Barrel	1	44	035-27090	Barrel Stop	2
16	324-20806	Dowel Pin (1/8 X 3/8)	1	45	488-14080	Plug, AN814-8	1
17	358-14180	Screw, Sec. Hd. Cap (5/16-18 X 1 1/2)	4	46	671-00908	"O" Ring 70-6290-8	2
18	617-00227	"O" Ring 70-6230-5	1	47	324-21208	Dowel Pin (3/16 X 1/2)	3
19	308-12100	Screw, Sec. Hd. Cap (1/4-20 X 5/8)	4	48	230-82012	Needle Bearing B 98	2
20	620-50291	Shaft Seal	1	49	035-19578	Shaft Key	1
21	035-20643	Nameplate	1	50	320-10203	Screw, Drive (2 - 3/16)	10
22	488-14040	Plug, AN814-4	1	51	035-19271	Plunger	1
23	671-00904	"O" Ring 70-6290-4	1	52	201-14001	Bell (7/16)	1
24	358-10200	Screw, Sec. Hd. Cap (10-24 X 1 1/2)	7	53	035-27864	Index Plate	1
25	671-00016	"O" Ring 70-914-4	2	54	035-27863	Creep Plate	1
26	035-27091	Trunnions	2	55	358-12160	Screw, Sec. Hd. Cap (1/4-20 X 1)	1
27	358-10080	Screw, Sec. Hd. Cap (10-24 X 1/2)	8	56	515-99891	Spacer, Sub-Ass'y	1
28	035-27089	Hanger Spacer	2	57	350-01005	Lockwasher, W-05	1
29	358-08060	Screw, Sec. Hd. Cap (8-32 X 3/8)	4	58	341-10005	Locknut, N-05	1



Your single source of the most dependable hydraulics equipment for
mobile, industrial, energy, defense and marine applications



DENISON HYDRAULICS INC.
14249 INDUSTRIAL PARKWAY
MARYSVILLE, OH 43040-9551

TELEPHONE: (513) 644-3915
FAX: (513) 642-6927