

DENISON**Hydraulics****SERVICE LITERATURE**

STEM CONTROL

THE DENISON STEM CONTROLS ARE FOR USE WITH
DENISON VARIABLE VOLUME PUMPS

OLD MODEL NO.	SERIES	NEW MODEL NO.
PA-072-561-L	600	PV06-007-51L-01
PA-072-561-R	600	PV06-007-51R-01
PA-202-571-L	700	PV07-020-51L-01
PA-202-571-R	700	PV07-020-51R-01
PA-352-581-L	800	PV08-035-51L-01
PA-352-581-R	800	PV08-035-51R-01

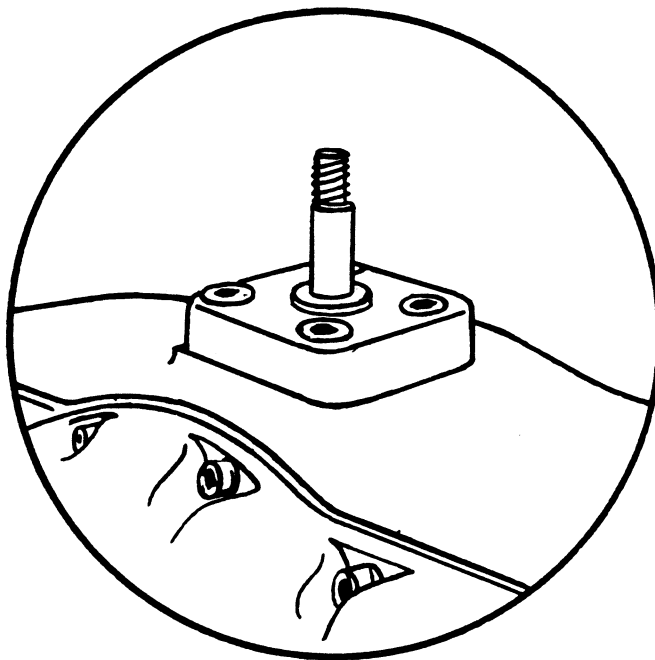
GENERAL INFORMATION

Denison hydraulic pumps, utilizing stem control of pump delivery, are available in three sizes – 600, 700 and 800. The stem control is mounted on a pad on top the pump housing and is directly connected to the pump hanger or yoke which regulates piston stroke length. Movement of the sliding stem can be effected manually or mechanically to regulate maximum delivery as it is adaptable to linkage for mechanical control. A minimum delivery limit adjustment is provided which is also mounted on a pad on the bottom of the pump housing.

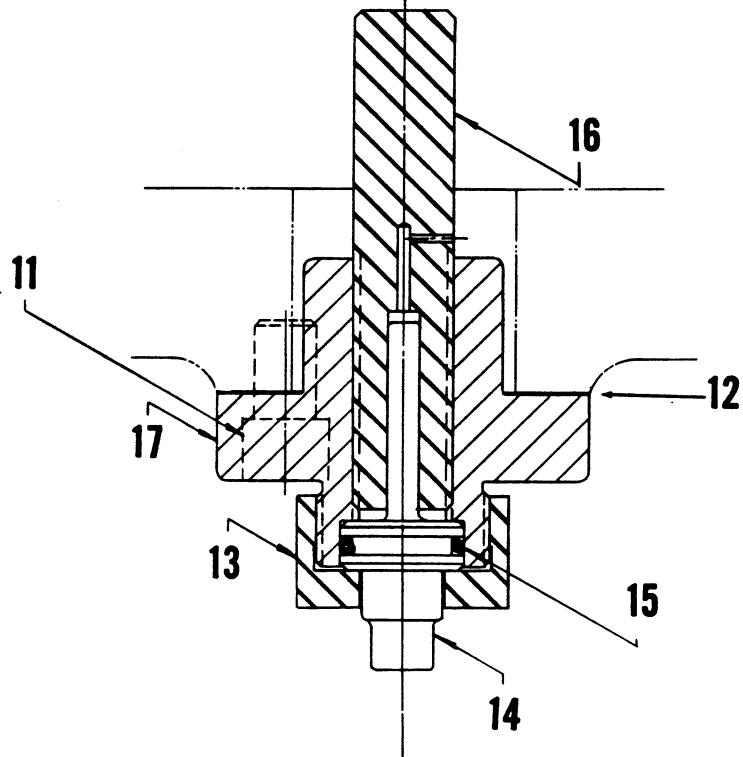
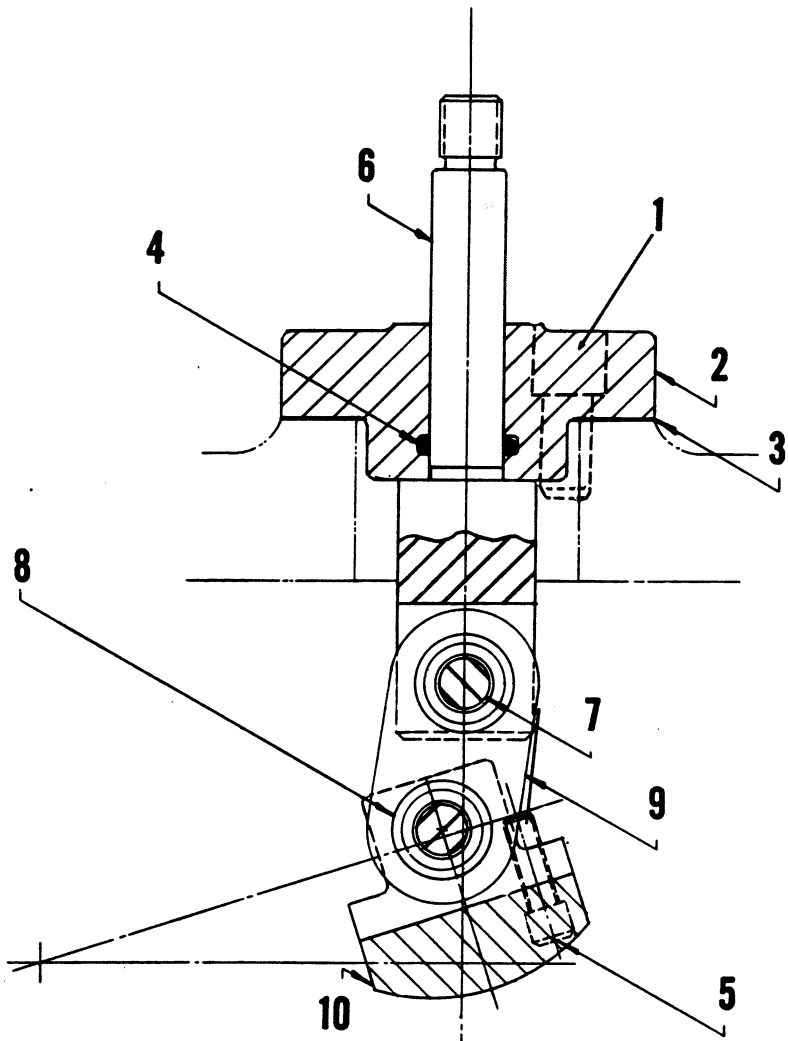
These pumps operate at 5000 psi and deliver a maximum of 10, 20 and 35 gpm respectively. The 600 series pumps are rated at 7 gpm for 1200 rpm and 10 gpm at 1800 rpm. The 700 and 800 series pumps deliver 20 and 35 gpm at 1200 rpm.

The pumps are of heavy construction and all are similar in operating characteristics and physical appearance except for size. Inlet and outlet ports feature heavy flanges to which piping is attached. It is not necessary to break the pipe seals to remove the pump. Efficiency means economy and satisfactory service for many hydraulic power requirements.

All variable volume pumps have a minimum stop adjustment which is located below the hanger housing. This stop controls the minimum flow of the pump. The adjustment of this control is set at



the factory and should not be adjusted unless it is desirable to operate the pump above the minimum volume. This is done by loosening the lock nut and turning the adjustment nut clockwise until the minimum flow desired is reached, then tighten lock nut.



PARTS LIST

STEM CONTROL FOR VARIABLE VOLUME PUMPS

ITEM	DESCRIPTION 1 2	SERIES			QTY.
		"600"	"700"	"800"	
		CODE NO. FOR COMPLETE ASS'Y			
		S15-10810	S15-99785	S15-99790	
		PART NO.	PART NO.	PART NO.	
1	S.H.C. screw 7/16-14 x 1	358-18160	-----	-----	4
	S.H.C. screw 5/8-11 x 1	-----	358-24160	358-24160	4
2	Stem control cap	035-12574	035-13016	035-13016	1
3	Gasket	035-12592	035-12279	035-12279	1
4	"O" ring 70-6227-10	671-00112	-----	-----	1
	"O" ring 70-6227-15	-----	671-00210	671-00210	1
5	S.H.C. screw 5/16-18 x 1 (Nylok)	358-14166	358-14166	358-14166	4
	Clevis assembly with stem(6 thru 10)	S15-00042	S15-00144	S15-00232	1
6	. stem	035-14725	035-14753	035-14753	1
7	. dowel pin 3/8 x 1 3/8	324-22422	-----	-----	2
	. dowel pin 1/2 x 1 1/2	-----	324-23224	324-23224	2
8	. bushing	035-16214	035-16215	035-16215	2
9	. link	035-14726	035-15113	035-15113	1
10	. clevis	035-14728	035-15246	035-15112	1
11	S.H.C. screw 7/16-14 x 1	358-18160	-----	-----	4
	S.H.C. screw 5/8-11 x 1	-----	358-24160	358-24160	4
12	Gasket	035-12592	035-12279	035-12279	1
	Minimum stop assembly (13 thru 17)	S15-00047	S15-00143	S15-00233	1
13	. nut	035-14716	035-14752	035-14752	1
14	. tongue	035-14718	035-14751	035-14751	1
15	. "O" ring 70-6227-15	671-00210	-----	-----	1
	. "O" ring 70-6227-19	-----	671-00214	671-00214	1
16	. stop	035-14721	035-14749	035-14750	1
17	. stop body	035-14724	035-14748	035-14748	1

GENERAL SALES OFFICES

CALIFORNIA

San Jose 95118 (408) 723-5486
4340 Almaden Expressway
Suite 140

Orange 92668 (714) 634-9565
1940 W. Orangewood Ave.
Suite 209

GEORGIA

Peachtree City 30269 (404) 487-1399
110 Lakeaires

NORTH CAROLINA

Charlotte 28212 (704) 545-8390
4400 Morris Park Dr.
Suite M

OHIO

Columbus 43216 (614) 481-7300
1220 Dublin Road

PENNSYLVANIA

Allentown 18104 (215) 395-4050
1483 Cedarwood Road

TEXAS

Richardson 75081 (214) 690-9600
801 E. Campbell Rd.
Suite 270

WASHINGTON

Seattle 98188 (206) 575-3070
331 Andover Park West

WISCONSIN

Waukesha 53186 (414) 547-9159
West 255 N. 499 Grandview Blvd. N.

CANADA

Häggglunds Denison Canada Inc. (416) 738-0561
Concord, Ontario L4K 2Z3
50 McLeary Ct.

CUSTOMER SERVICE

Service (614) 481-7300

Sales Representatives and Distributors Located in Major Industrial Areas — Look for "Häggglunds Denison Hydraulic Equipment" in the Yellow Pages.

INTERNATIONAL AFFILIATES LOCATED IN — Argentina, Australia, Austria, Belgium, Brazil, Canada, Chile, Colombia, Denmark, Eastern Europe, England, Finland, France, Germany, Greece, Hong Kong, Holland, Italy, Japan, Mexico, New Zealand, Norway, Peru, Singapore, South Africa, Spain, Sweden, Switzerland, Venezuela.



HÄGGLUNDS DENISON CORP., 1220 Dublin Road, Columbus, Ohio U.S.A. 43216
Call 1-800-982-0030 for the distributor nearest you

PRINT DATE
4/87

Replaces

Revision

PXP

Printed in U.S.A.