

Service Data

Vickers®

# Piston Pumps

---



## Variable Inline Piston Pump

PVB45-(F)\*SFW-20-C(\*)-(\*)-11(S67)

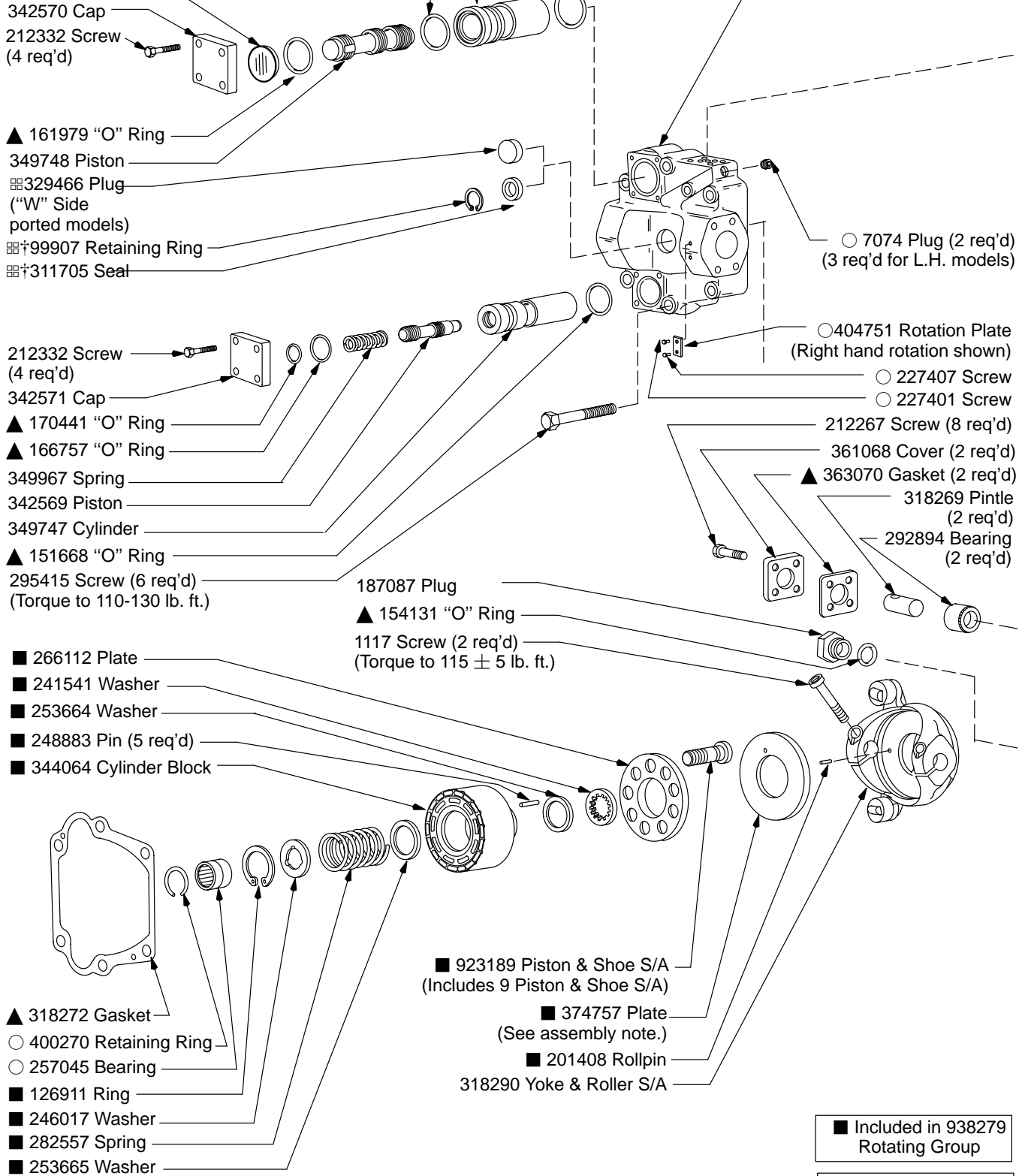
PVB45-(F)\*SFX-20-C(\*)-(\*)-11(S67)

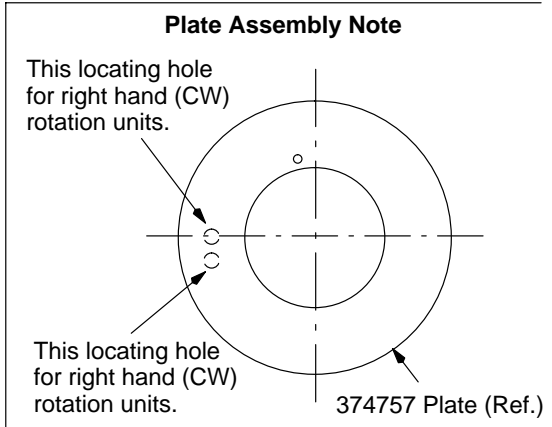
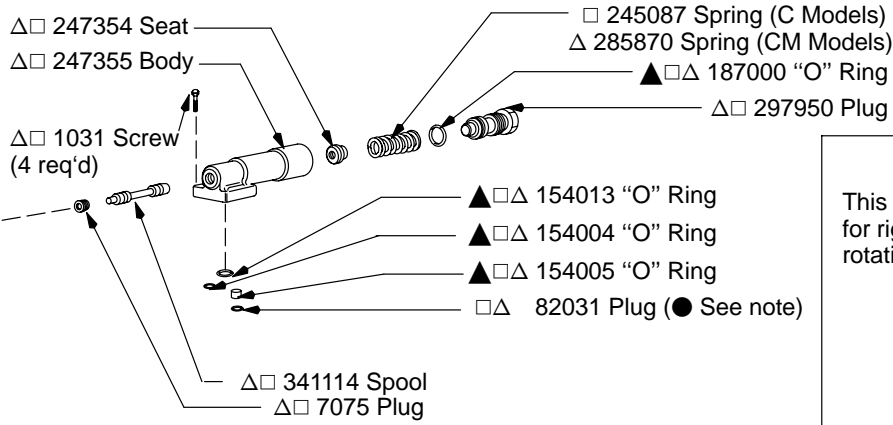


Model	Spacer
C/CM	None
C9/CM9	381291
C8/CM8	381292
C7/CM7	381293
C6/CM6	381294

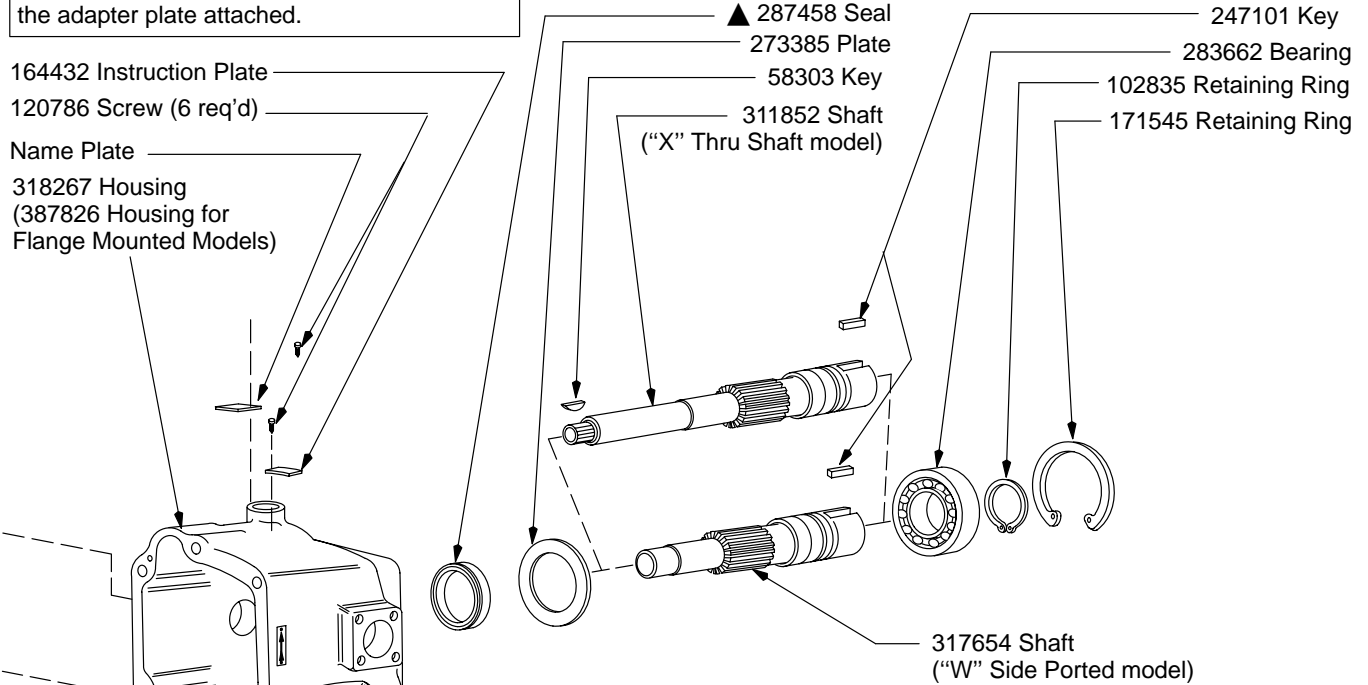
⊞ **NOT** included in seal kit of valve plate S/A.  
 †"X" Thru shaft models

Valve Plate S/A	Model
942304	PVB45-(F)RSF*-20-C*-11
942305	PVB45-(F)LSF*-20-C*-11

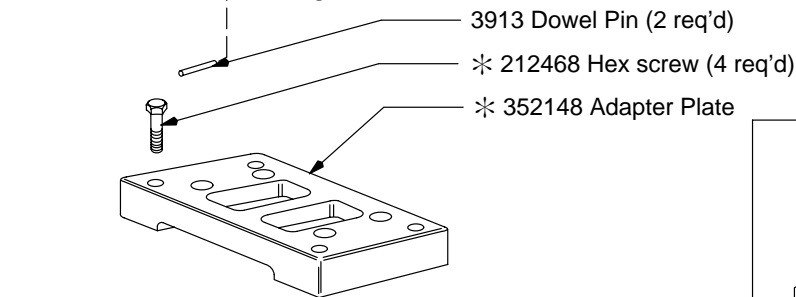




\*(S-67 Option):  
 Interchangability with the -10 & -11 design foot mounted pumps is provided with the adapter plate 352148 and four (4) 212468 screws. Models ordered with the S-67 suffix will have the adapter plate attached.



● 82031 Orifice plug (Must be installed in the drain port of the compensator body, below the mounting surface.)



See Parts Drawing I-3963-S for Port Flange data.

F3 Equivalent Gasket Kit 919891

○ Included in Valve Plate S/A

▲ Included in 919890 Seal Kit

