

Service Data

Vickers®

# Piston Pumps

---



## 90 USgpm Variable Delivery Inline Piston Pumps

PVB90-(F)RSF-20-C-10

PVB90-(F)LSF-20-C-10



Revised 10-01-85

I-3290-S

\*LH Models only (Arrow on plate points up.)

\*\*RH Models only (Arrow on plate points up.)

Valve Plate	Model
295214	PVB90-(F)RSF-20-C-10
297951	PVB90-(F)LSF-20-C-10

- 295274 Tube S/A
- 307413 Fitting
- ▲ 263495 "O" Ring
- Spacer (See table)
- ▲ 194669 "O" Ring

- 212335 Screw (4 req'd)
- 295085 Adapter
- ▲ 295076 Gasket
- 295077 Cap
- 275505 Screw (4 req'd)

- 295679 Spring
- 295678 Spring
- 295078 Seat
- 11170 Screw (6 req'd)  
(Torque to 110-130 lb. ft.)

- \*227401 Screw (2 req'd)
- \*404751 Plate
- \*7076 Plug

- \*\*227401 Screw (2 req'd)
- \*\*404751 Plate

- 212267 Screw (8 req'd)
- 361068 Cover (2 req'd)
- ▲ 363070 Gasket (2 req'd)
- 287184 Spacer (2 req'd)
- 402152 Bearing (2 req'd)
- 312656 Pintle (2 req'd)

- 181765 Plug
- ▲ 154132 "O" Ring
- 287285 Shim (2 places as req'd)  
(To obtain a clearance of .002 to .006 inch between 32562 Shoe Plate and 287183 Plates.)
- 1228 Screw (4 req'd)  
(Torque to 130-150 lb. in.)

- 942084 Piston S/A Kit (Includes 9 Piston & Shoe S/A)

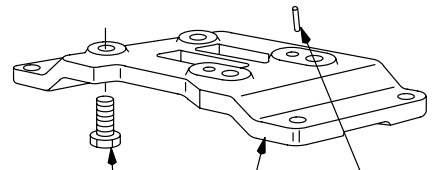
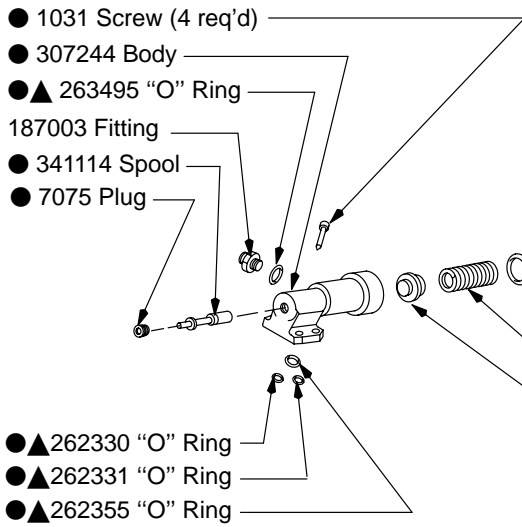
P/N	Model
342767	
342768	
342769	
342770	

- 325652 Shoe Plate
- 287180 Swash Plate
- 287183 Plate (2 req'd)
- 298172 Screw (2 req'd)  
(Torque to 190-210 lb. ft.)
- 295012 Yoke S/A

- 248444 Spherical Washer
- 261437 Back-up Washer
- 248861 Pin (4 req'd)
- 325650 Cylinder Block
- 248567 Thrust Washer
- 249901 Spring

■ 263039 Lift Limiter Sleeve  
(Machine sleeve (non-chamfered end) length to provide .005 to .008 inch clearance (see back page) between cylinder block and housing face without 249901 spring installed. Chamfer I.D. of machined end .030 inch x 45 degree.)

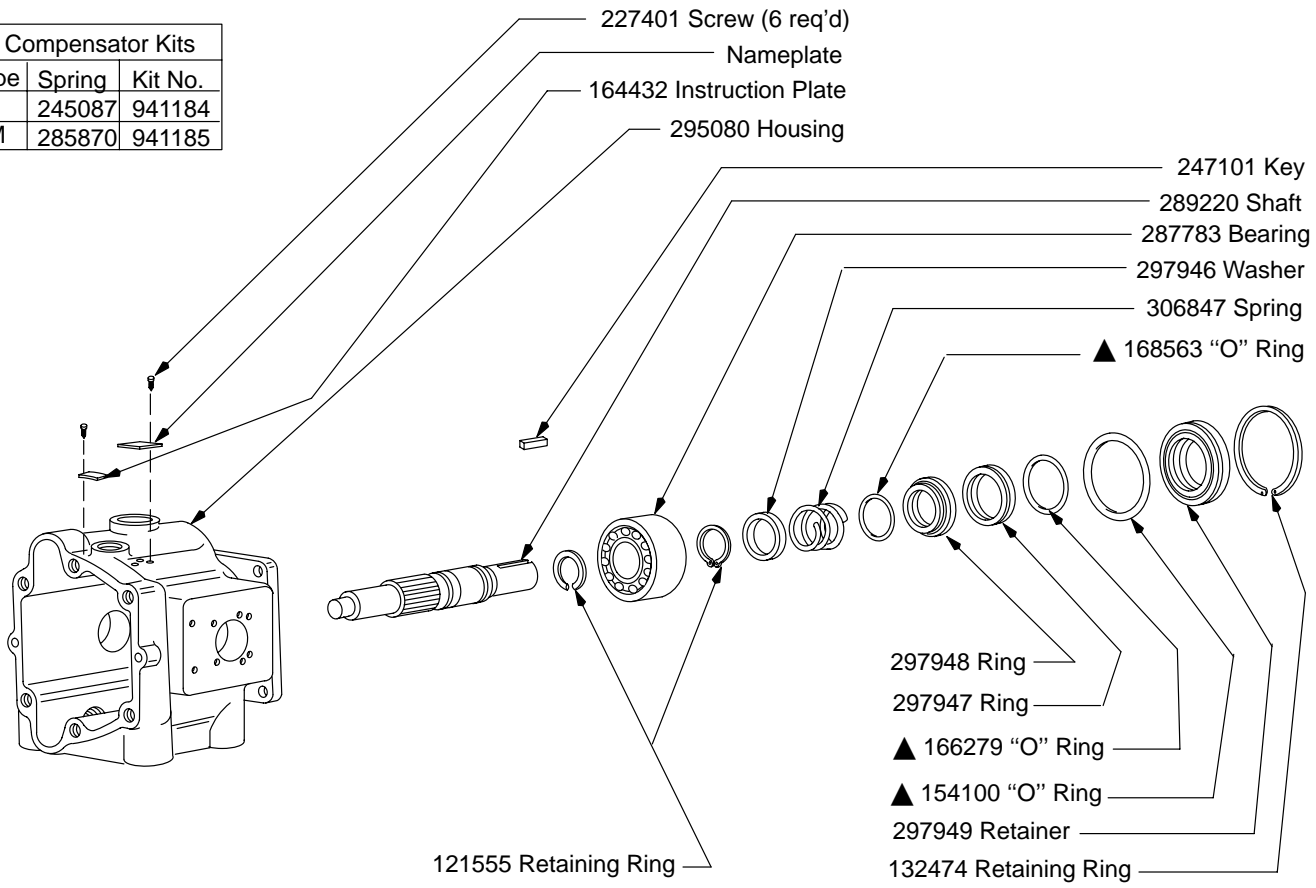
- 263038 Lift Limiter Washer
- 190275 Retaining Ring
- 162513 Retaining Ring
- 271537 Bearing
- ▲ 248450 Gasket
- 112934 Pin (2 req'd)



Model	Screw (4 req'd)	Bracket	Pin (2 req'd)
PVB90-F*SF-20-C-10	212466	279040	19089

- 297950 Adjusting Screw
- ▲ 262344 "O" Ring
- Spring (See table)
- 247354 Seat

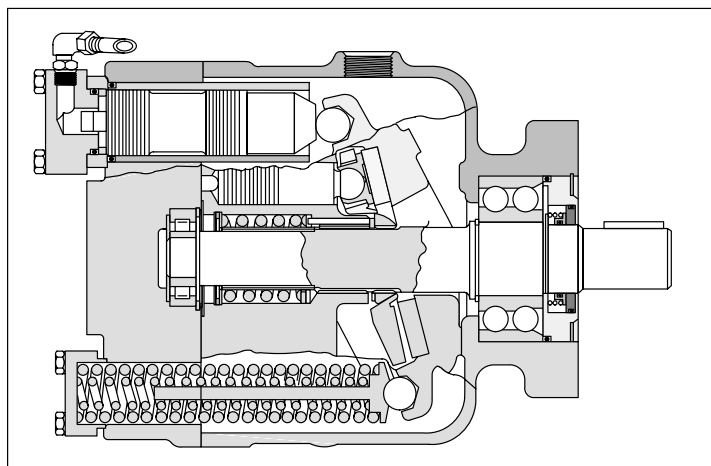
● Compensator Kits		
Type	Spring	Kit No.
C	245087	941184
CM	285870	941185

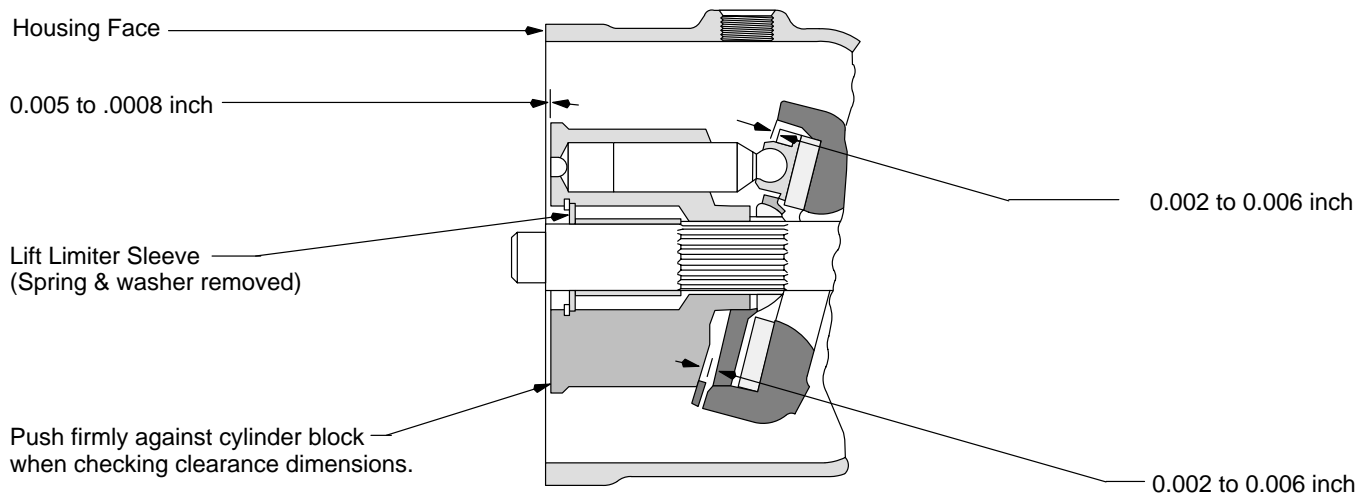


■ Included in 938291 Rotating Group Kit

▲ Included in 919506 Seal Kit

F3 Equivalent 920245 Seal Kit





## MODEL CODE BREAKDOWN

**PVB 90 - (F) \* S F - 20 - C \* - 1**

1	2	3	4	5	6	7	8	9	10

- |  |  |   |
|--|--|---|
| <p><b>1 Model</b><br/>Variable displacement pump,<br/>inline type</p>                                  | <p><b>5 Swash Plate Movement</b><br/><b>S</b> - One side of center</p> | <p><b>8 Compensator Control</b></p>   |
| <p><b>2 Flow rating @ 1800 rpm</b><br/><b>90</b> - 90 USgpm</p>  | <p><b>6 Port Options</b><br/><b>F</b> - Flanged port - SAE 4 bolt</p>  | <p><b>9 Compensator Piston Limiting Spacer</b><br/><br/>9-90%<br/>8-80%<br/>7-70%<br/>6-60%</p> |
| <p><b>3 Mounting</b><br/><b>F</b> - Foot bracket<br/>(Omit for flange mount)</p>                       | <p><b>7 Pump Design</b></p>  | <p><b>10 Control Design Number</b></p>  |
| <p><b>4 Rotation</b><br/>Viewing from shaft end<br/><b>L</b> - Left hand<br/><b>R</b> - Right hand</p> |  |   |

For satisfactory service life of these components, use full flow filtration to provide fluid which meets ISO cleanliness code 16/13 or cleaner. Selections from pressure, return, and in-line filter series are recommended.

Printed in U.S.A.