

Service Data

Vickers®

Piston Pumps



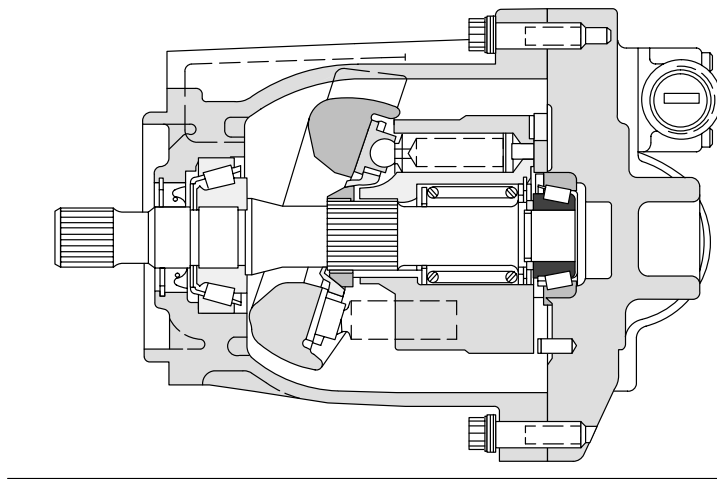
Variable Displacement Piston Pumps with Pressure Compensator

PVE19/21-**-*-20-C***-1*

PVE19/21-**-*-30-C***-1*

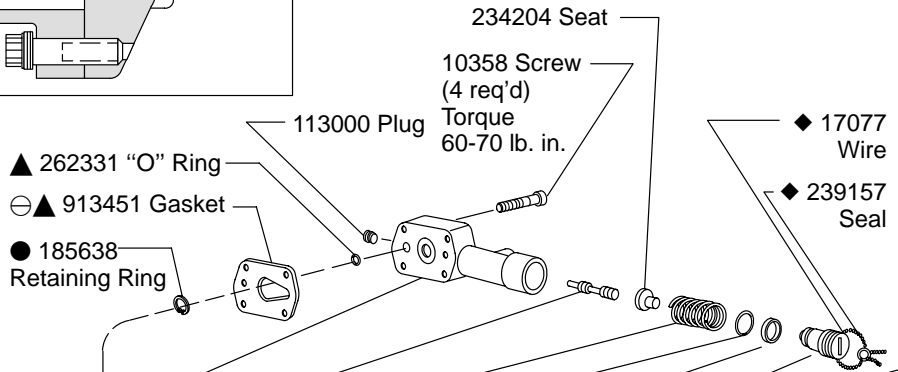
C, CG & CV Compensator

(Shown for right hand shaft rotation.
Rotate 180° for left hand shaft rotation.)




NOTE
The "CVP" compensator may be ordered as a complete factory tested part by ordering part number shown in table below.

Included in	
▲ Seal Kit Piston Pump	923989
Bearing Spacer Kit	942401
Shim Kit	923938

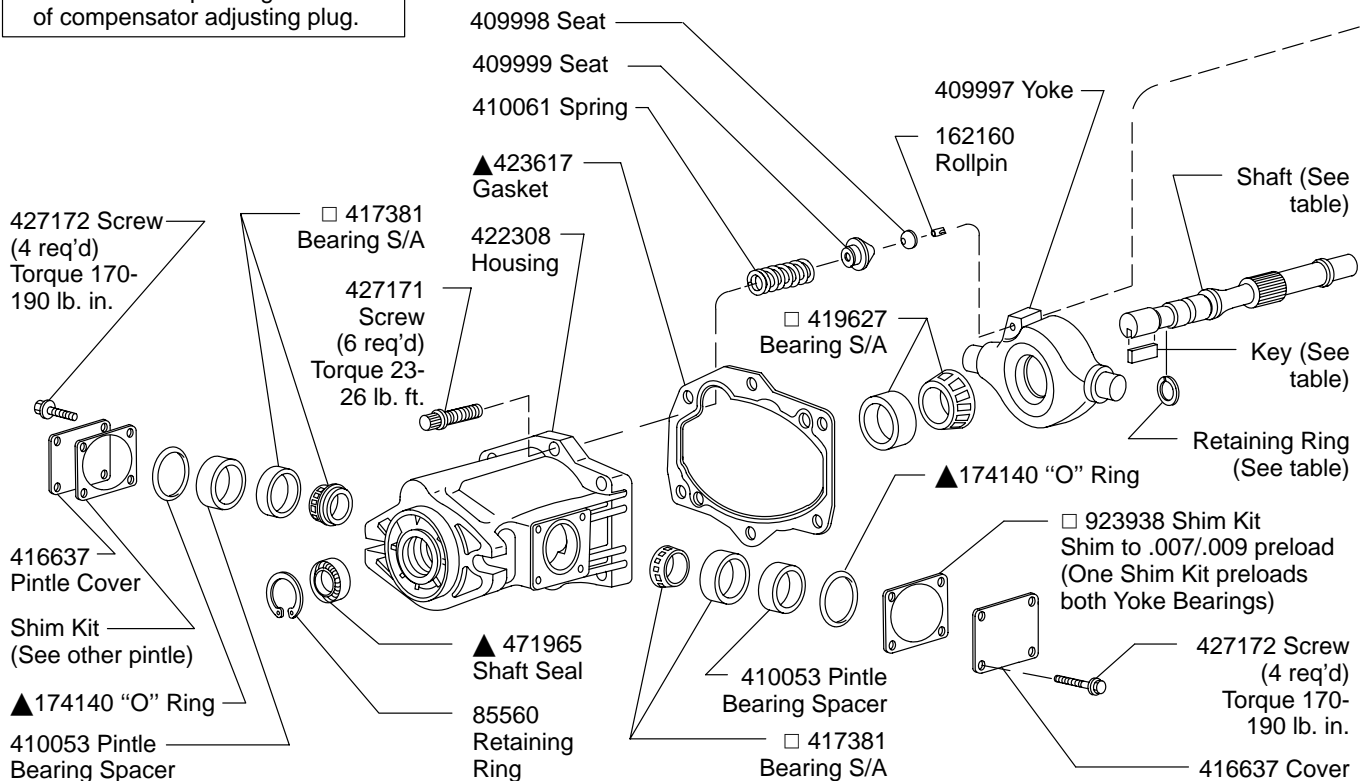


Model	Body	Spool	Spring	"O" Ring	Back-up Ring	Plug	Compensator S/A Kit
PVE**-"C"-10	241568	241717	239371	▲262335	—	241621	02-334115
PVE**-"CG"-10	412890	296234	—	—	▲287144	412940	942480
PVE**-"CV"-10	—	278711	417649	—	—	—	942441

■ Included in Rotating Group S/A

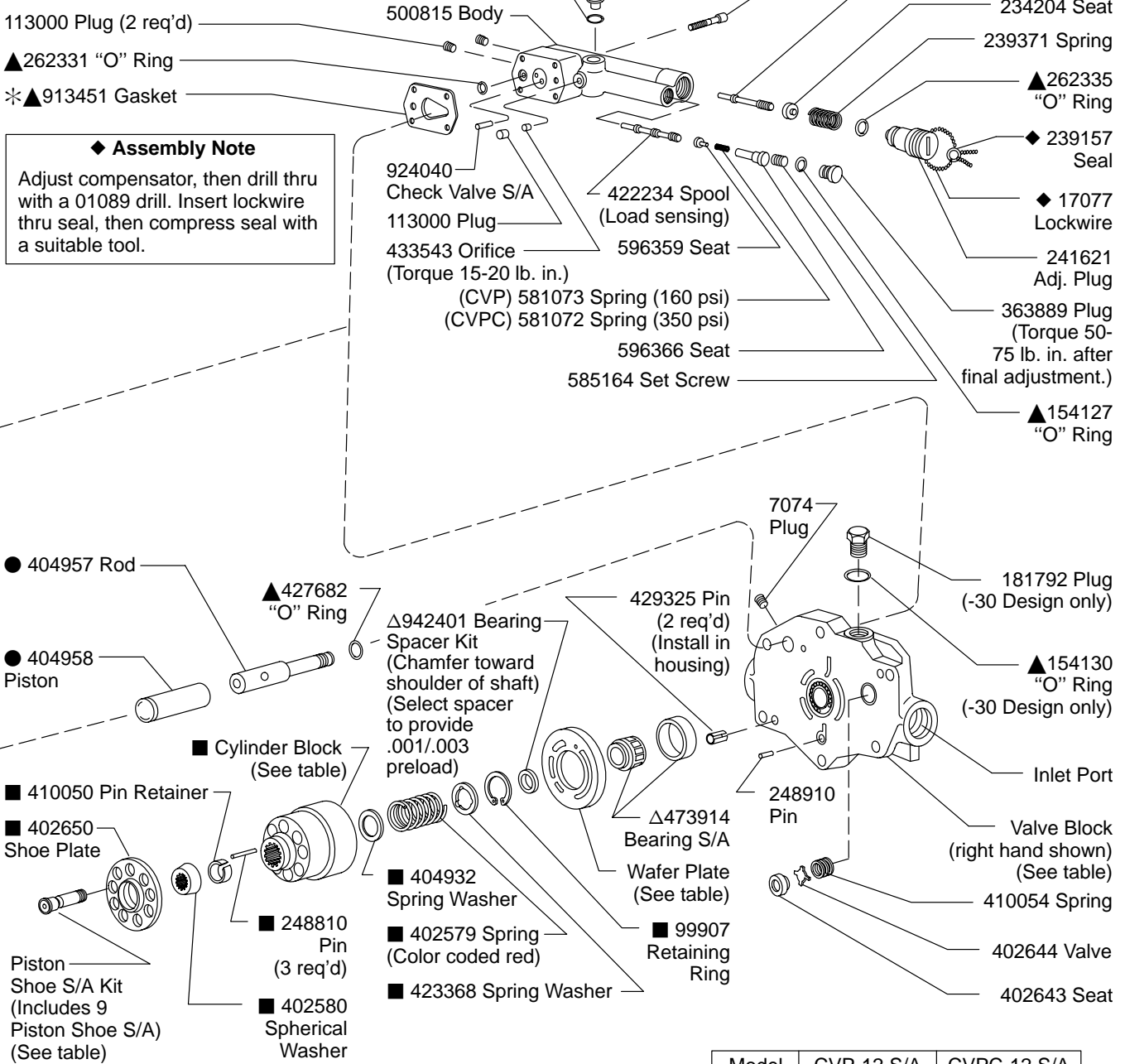
 **CAUTION**
Position gasket with small end of teardrop hole pointing in direction of compensator adjusting plug.

Model	Retaining Ring	Key	Shaft	Type
PVE**-1	112531	58303	428883	Keyed
PVE**-2	—	—	423415	Splined
PVE**-9	—	—	424544	



CVP (C) Compensator

(Shown for right hand shaft rotation.
Rotate 180° for left hand shaft rotation.
See table below for 'CVP' S/A part number.)



Model	CVP-12 S/A	CVPC-12 S/A
PVE19	924061	924062
PVE21	924063	924064

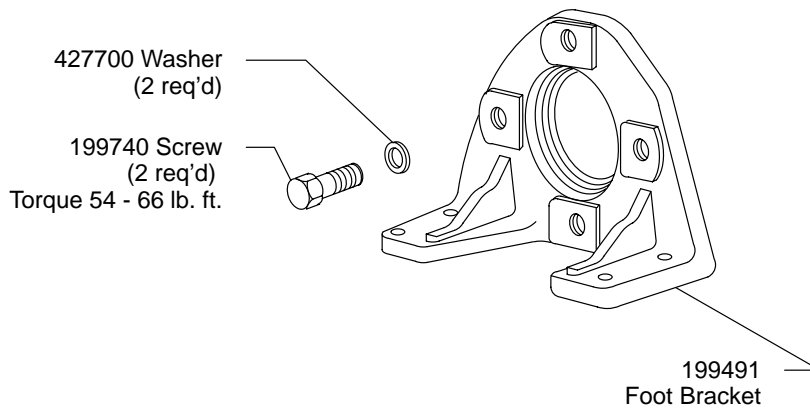
Model	Rotation Viewed from Shaft End	-20 Valve Block	-30 Valve Block	Wafer Plate	■ Cylinder Block	Piston Shoe S/A ■ Includes 9 Piston Shoe S/A	■ Rotating Group
PVE19-R	C/Wise	423337	429729	425412			
PVE19-L	CC/Wise	423329	435281	425415	426454	923939	923948
PVE21-R	C/Wise	423337	429729	425413			
PVE21-L	CC/Wise	423329	435281	425416	418215	923946	923947

● Included in 923960 Compensator Piston & Rod S/A Kit

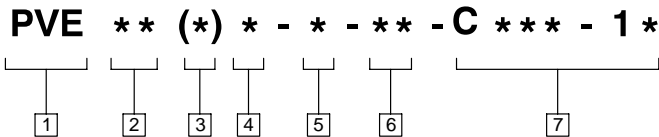
■ Included in 923987 Yoke Bearing Kit

▲ Included in 923988 Shaft Bearing Kit

Model Code



Note
To convert flange model to foot bracket model, order FB-B-10 (Assembly 422583).



1 Model Series

PVE - Pump, variable displacement, series inline piston unit

2 Flow Rating
@ 1800 rpm

19 - 19 USgpm
21 - 21 USgpm

3 Mounting

F - Foot mounting
Omit - For flange

4 Shaft Rotation

(Viewed from shaft end)

R - Right Hand (CW)
L - Left Hand (CCW)

5 Input Shaft

1 - SAE B-B straight thread
2 - SAE B-B 15 tooth spline
9 - SAE B 13 tooth spline

6 Pump Design

20 - Single drain port
30 - Dual drain port

7 Control Type & Design

C-10 - Pressure compensated (PVE19, 250-3000 psi) (PVE21, 250-2700 psi)

CG-10 - Remote control pressure compensator adjustable from 350-3000 psi using an external relief valve

CV-10 - Load sensing PVE19/21

CVP-12 - Load sensing (160 PSID) with pressure compensation PVE 19/21

CVPC-12 - Load sensing (350 PSID) with pressure compensation PVE19/21

For satisfactory service life of these components in industrial applications, use full flow filtration to provide fluid which meets ISO cleanliness code 20/18/15 or cleaner. Selections from Eaton OFF, OFR and OFRS series are recommended.