

Service Data

Vickers®

# Vane Pumps

---



## Vane Type Single Pump

(F3)-V21\*-\*\*-\*\* Series -12 Design

(F3)-V23\*-\*\*-\*\* Series -12 Design

Model	Model "S" NO'S	Valve Subassembly	BAR (PSI)
V2**-*_**_C*-12	138	232794	51.7 (750)
V2**-*_**_D*-12		232795	68.9 (1000)
V2**-*_**_E*-12		232796	86.1 (1250)
V2**-*_**_F*-12		232797	103.4 (1500)
V2**-*_**_G*-12		140	232798
V2**-*_**_H*-12	232799		137.8 (2000)

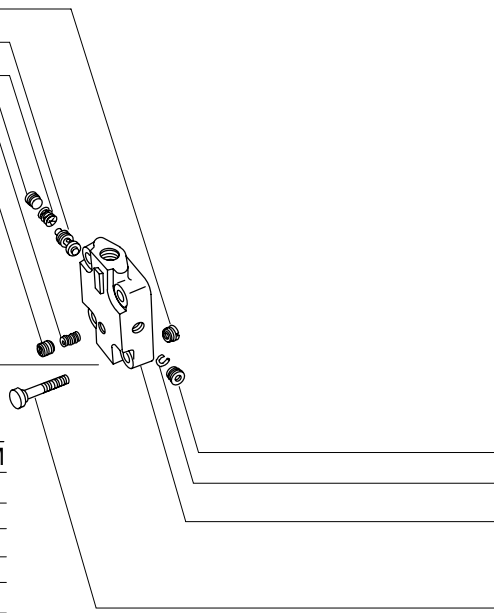
- Orifice plug (See table)
- Valve subassembly (See table)
- 155086 Spring
- 7077 Plug
- 183584 Screen
- 113000 Plug

**FLOW CONTROL COVER OPTION**

Use pressure port to determine cover position.

Model	Orifice plug	USGPM
V2**-*_**_2-12	167463	2
V2**-*_**_4-12	167464	4
V2**-*_**_6-12	167465	6
V2**-*_**_7-12	165359	7
V2**-*_**_8-12	167466	8

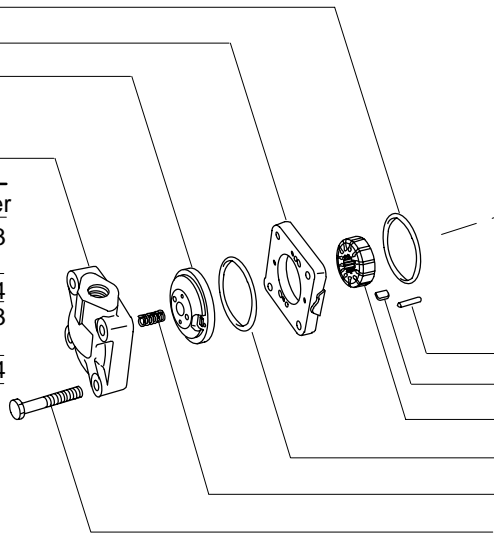
Model	★ Screw
V2**-2-**-**-12	1319
V2**-3-**-**-12	
V2**-5-**-**-12	
V2**-6-**-**-12	
V2**-8-**-**-12	
V2**-8W-**-**-12	11164
V2**-9-**-**-12	
V2**-11-**-**-12	
V2**-11W-**-**-12	



- 7077 Plug
- 155023 Snap ring
- 224489 Cover (When replacing cover on pump, valve subassembly must also be replaced.)
- ★ Screw 4 Req'd (See table)
- Torque 88.1–101.6 N.m. (65–75 lb. ft.)

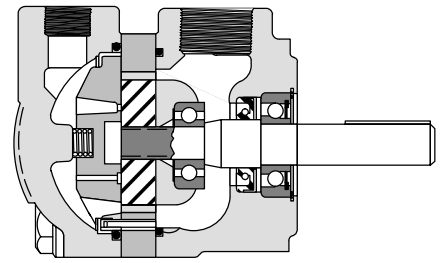
- ▲ 154090 "O"-Ring
- Ring (see table)
- 292085 Pressure plate (Use 236217 pressure plate for -S214 models)
- ◆ Cover (See table)

Model	◆ Cover
V21**-*_**_**-12- STD.	129343
V21**-*_**_**-12-S49	
V21**-*_**_**-12-S51/S63/S214	129344
V23**-*_**_**-12-STD	129343
V23**-*_**_**-12-S49	
V23**-*_**_**-12-S51/S63/S214	129344

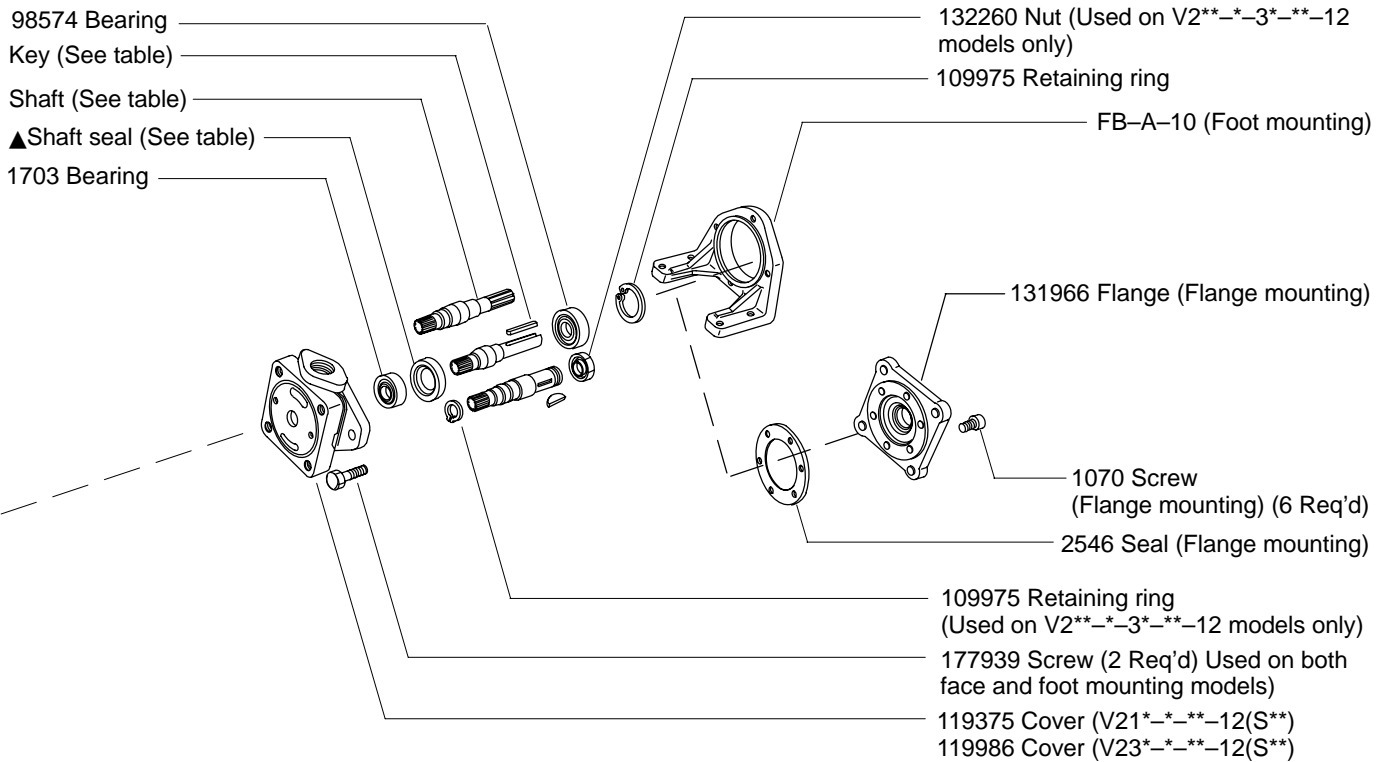


- Pin (2 Req'd See table)
- Vane kit (12 vanes See table)
- Rotor (see table)
- ▲ 154090 "O"-Ring
- 114139 Spring
- Screw 4 Req'd (See table)
- Torque 88.1–101.6 N.m. (65–75 lb. ft.)

Model	● Ring	● Rotor	● Vane kit (12 vanes)	● Cartridge kit	● Pin (2 Req'd)	■ Screw (4 Req'd)
V2**-2-**-**-12-(S214)	116141	172302	912031	912063	2161	131485
V2**-3-**-**-12-(S214)	214140			922765		
V2**-5-**-**-12-(S214)	114173			912064		
V2**-6-**-**-12-(S214)	133177			912065		
V2**-8-**-**-12	114154			912066		
V2**-8W-**-**-12-(S214)	178183	172294	912032	922509	2478	131486
V2**-9W-**-**-12-(S214)	193219			922537		
V2**-11-**-**-12	114172			912067		
V2**-11W-**-**-12-(S214)	218320			922568		



**Typical Cutaway view**

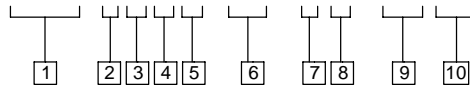


Model	▲Seal kit	▲Shaft seal	Shaft	Key	
V2**-* <sub>1</sub> ** <sub>12</sub>	922732	229236	116644	5881	
V2**-* <sub>2</sub> ** <sub>12</sub>			116645	1602	
V2**-* <sub>3</sub> ** <sub>12</sub>	922733	229235	120037	1615	
V2**-* <sub>4</sub> ** <sub>12</sub>	922732	229236	128892		
V2**-* <sub>6</sub> ** <sub>12</sub>			131420	1609	
V2**-* <sub>7</sub> ** <sub>12</sub>	922733	229235	124094		
V2**-* <sub>8</sub> ** <sub>12</sub>	922732	229236	124305	124395	
V2**-* <sub>9</sub> ** <sub>12</sub>			128300		
V2**-* <sub>10</sub> ** <sub>12</sub>			130334	1609	
V2**-* <sub>11</sub> ** <sub>12</sub>			133178		
V2**-* <sub>19</sub> ** <sub>12</sub>			148187		
V2**-* <sub>24</sub> ** <sub>12</sub>			165468		
V2**-* <sub>26</sub> ** <sub>12</sub>			182014	6601	
V2**-* <sub>34</sub> ** <sub>12</sub>			205800	1605	
V2**-* <sub>37</sub> ** <sub>12</sub>				215025	

- Included in cartridge kit (See table).
- ▲ Included in seal kit (See table)  
 F3 equivalent seal kit 919291

# Model Code

**(F3) -V2 \*\* - \*\* - 1 \* - 12 \*\*\***



**1 Viton seals**  
(Omit if not required)

**2 Vane pump**

**3 Series**

**4 Body type**

- 1 – STD THD connection
- 2 – STD Gasket connection
- 3 – Face MTG THD connection
- 4 – Face MTG Gasket connection
- 5 – Tapped FT MTG THD connection
- 6 – Tapped FT MTG Gasket connection

**5 Mounting**

- 0 – Body
- 4 – Foot
- 5 – Flange

**6 Capacity US GPM**

**7 Shaft**

**8 Cover port positions**  
(Viewed from cover end)

- A – 180° from inlet
- B – 90° CCW from inlet
- C – Inline with inlet
- D – 90° CW from inlet

**9 Design**

**10 Special feature**

