

Service Data

**Vickers®**

# Vane Pumps

---



## Vane Type Single Pumps

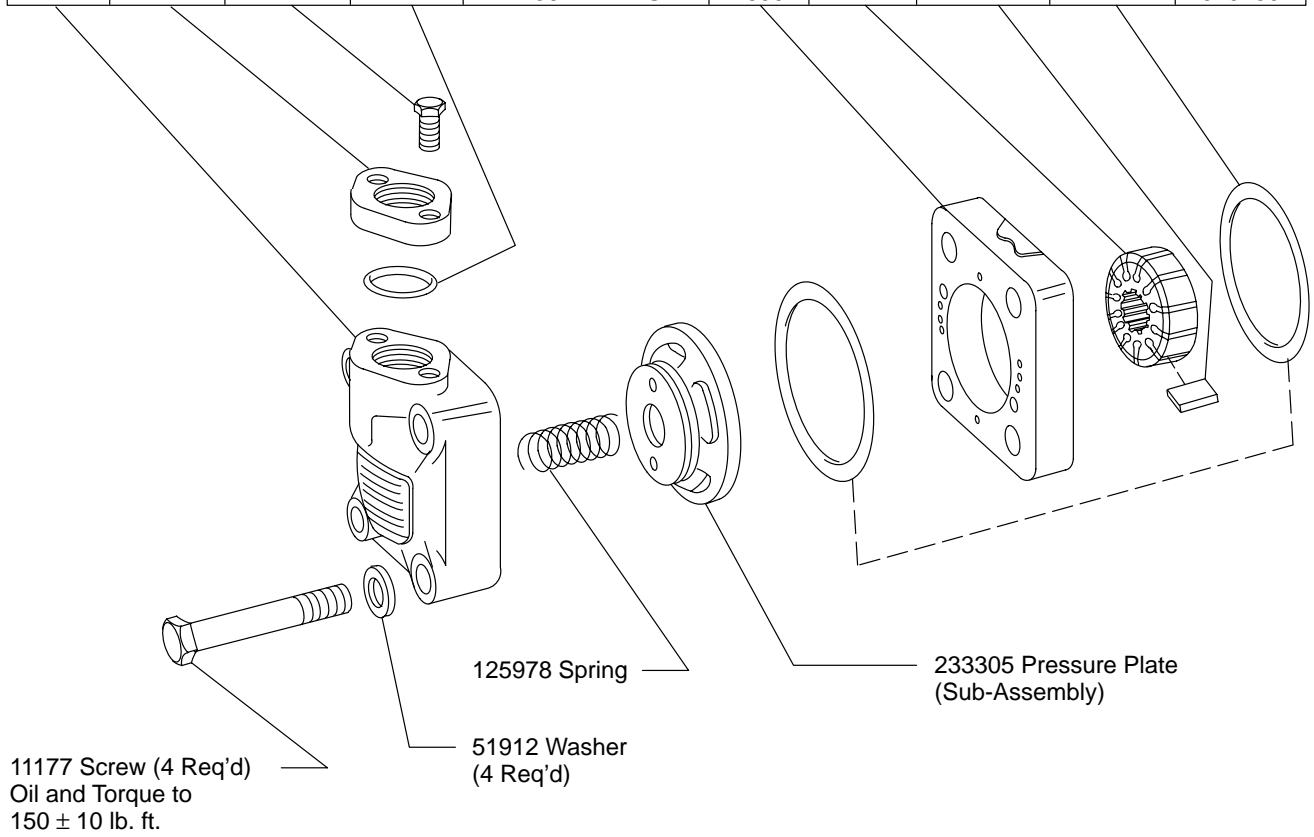
V400-S214



Revised 10/01/85

I-3107-S

Cover	Flange	Screw (2 Req'd)	"O" Ring	Capacity	Ring	Rotor	Vane Kit (12 Vanes)	"O" Ring (2 Req'd)	Cartridge Kit
					Included In Cartridge Kit				
133895	_____	_____	_____	V43*-28-1*-11-S214	128553	233304	912030	▲ 154105	919149
				V43*-36-1*-11-S214	126507				919150
134180	127841	1355	154077	V44*-28-1F*-11-S214	128553	233304	912030	▲ 154105	919149
				V44*-36-1F*-11-S214	126507				919150



▲ Included in 922771 seal kit

F3 equivalent seal kit 919293

▲238893 Shaft Seal  
 (Assemble with spring  
 toward inside of pump)  
 (Pack with grease at  
 assembly)

14654 Bearing

Key (See table)

Shaft  
 (See table)

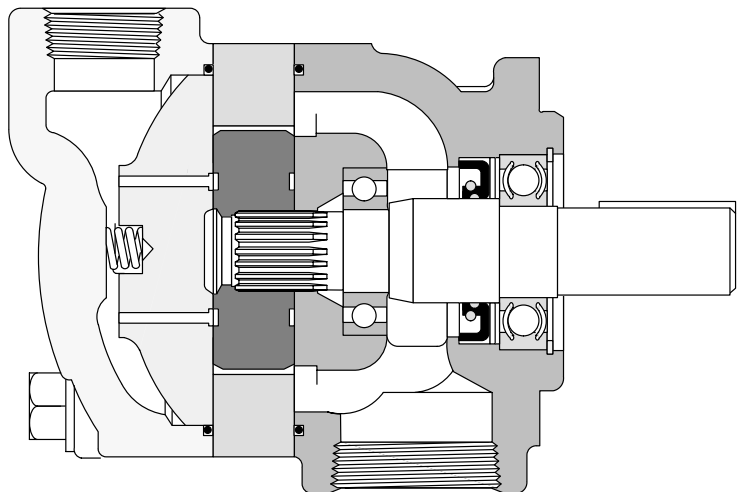
117522 Retaining Ring

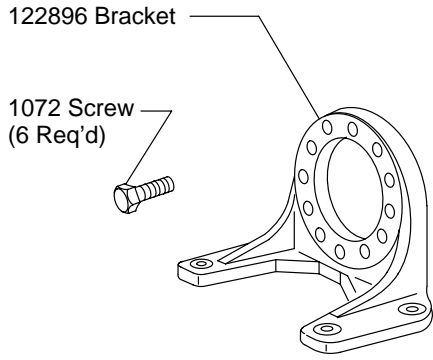
117785 Bearing

10637 Pin  
 (2 Req'd)

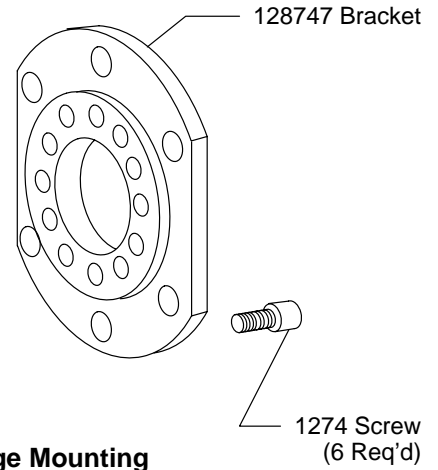
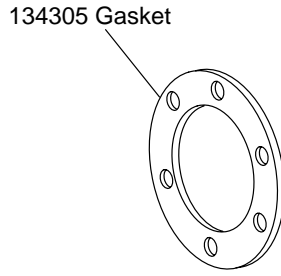
Model	Shaft	Key	Nut
V4**-1*-11-S214	126222	3418	—
V4**-3*-11-S214	117781	1615	132260
V4**-11*-11-S214	148266	—	—

Model	Body	"O" Ring	Flange	Screw (2 Req'd)
V43*-28-1*-11-S214	134023	—	—	—
V43*-36-1*-11-S214		—	—	—
V44*-28-1F*-11-S214	134024	154085	130630	1355
V44*-36-1F*-11-S214				





**Foot Mounting**  
**V4\*4\*\*-1\*-11-S214**



**Flange Mounting**  
**V\*5\*\*-1F-11-S214**

## Model Code

**V4 \* \* - \*\* - 1 (F) \* - 11 - S214**

1
2
3
4
5
6
7
8
9

**1 Model Series**

V4 - Vane pump

**2 Body Type**

3 - Face mounting thread connection  
 4 - Face mounting gasket connection

**3 Mounting**

0 - Body  
 4 - Foot  
 5 - Flange

**4 Capacity in USgpm**

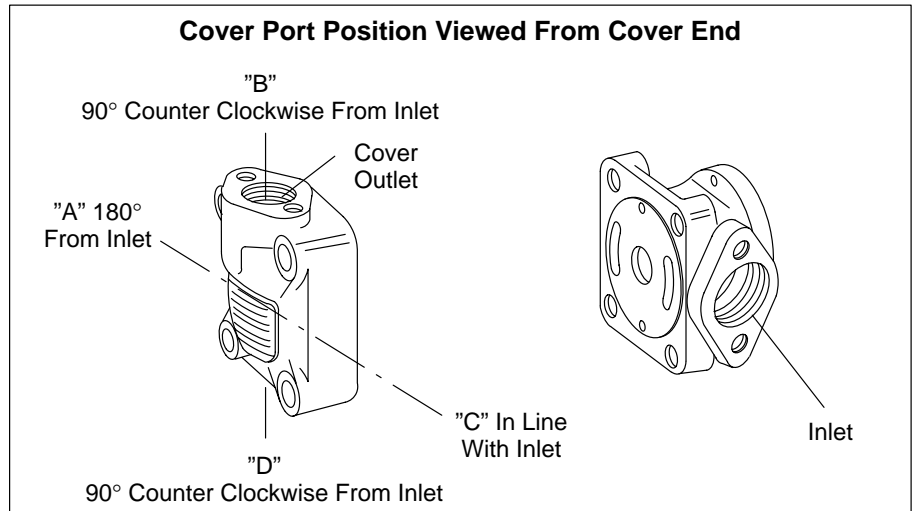
**5 Shaft**

**6 Flange Connections**

**6 Cover Port Position** (See below)  
 (Viewed from Cover End)

**7 Design & Modification**

**8 Special Feature**



For satisfactory service life of these components, use full flow filtration to provide fluid which meets ISO cleanliness code 20/18/15 or cleaner. Selections from Eaton OFF, OFR, and OFRS series are recommended.

**Eaton Hydraulics**

15151 Highway 5  
Eden Prairie, MN 55344  
Telephone: 612 937-7254  
Fax: 612 937-7130  
[www.eatonhydraulics.com](http://www.eatonhydraulics.com)

46 New Lane, Havant  
Hampshire PO9 2NB  
England  
Telephone: (44) 170-548-6451  
Fax: (44) 170-548-7110

