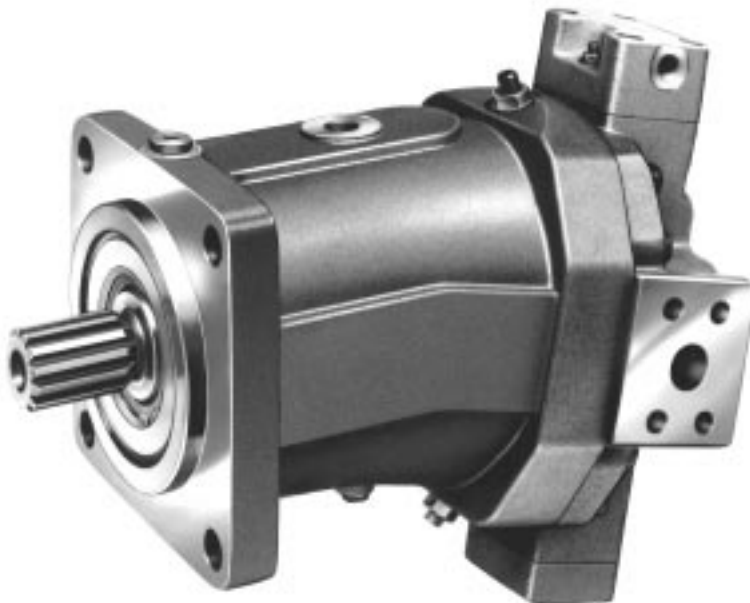


**MANNESMANN
REXROTH**

Mobile Division

E

Service Parts List



AA6VM

Series 63
Size 55

RA 91604-02-E
06.96

Ordering of AA6VM Parts

For Rexroth to supply the correct parts for your unit, please include all of the following information with your parts order.

TYPE CODE
TYPE NUMBER
SERIAL NUMBER
PART NUMBER
PART NAME

Due to modifications and improvements to our products, minor changes can occur to the parts, even though the type code may not necessarily reflect these changes. The type number and serial number will guarantee that the correct parts for your unit are supplied.

HYDROMATIK GMBH ULM (DONAU)		
THE REXROTH CORP., WOOSTER, OHIO		
TYPE		
AA6VM55HD1/63W-VSD520B		
NO		
262.20.63.10		
SERIAL NO.	YEAR	MINERAL OIL
1127809	10.95	OIL
MADE IN GERMANY		
ROTATION		

ORDERING EXAMPLE

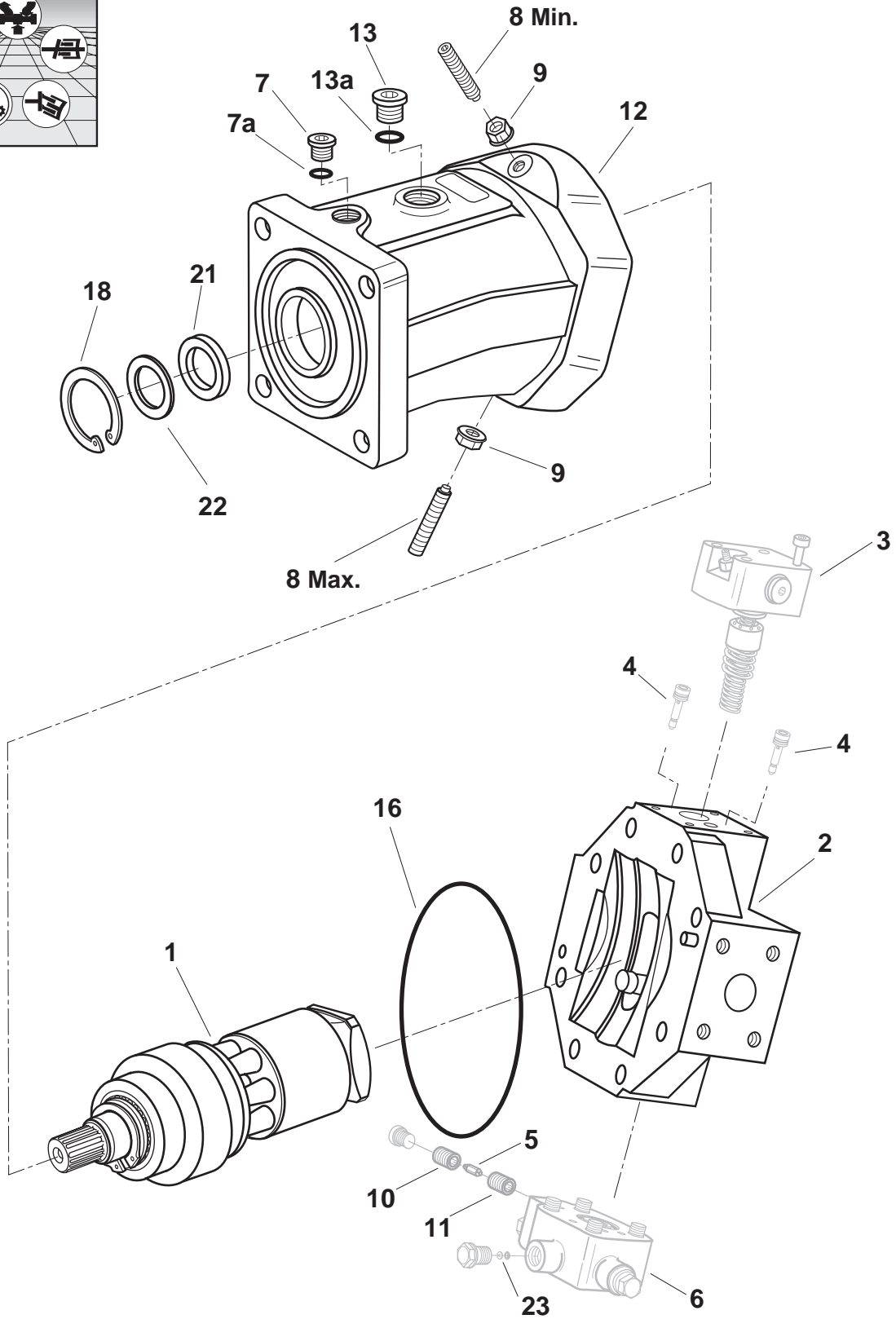
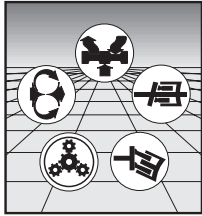
To order a replacement port block for an AA6VM hydrostatic transmission motor having the above nameplate, the following information would be required.

+ Type Code	AA6VM55HD1/63W-VSD520B
+ Type Number	262.20.63.10
+ Serial Number	1127809
* Part Number	5620-430-019
* Part Name	Port Block

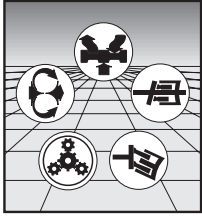
+ This information is taken from the nameplate on the motor.

* This information is taken from the Service Parts List.

Rotary Group.....	Page 8-9
Hydraulic Rotary Group	10-11
Port Block	12-13
HD1 Control.....	14-15
HD2 Control.....	16-17
EP1 Control.....	18-19
EP2 Control.....	20-21
HA1 Control.....	22-23
HA2 Control.....	24-25
HA1T Control.....	26-27
HA2T Control.....	28-29
HZ1 Control.....	30-31
EZ1 Control.....	32-33
EZ2 Control.....	34-35
Check Valve.....	36-37
Plug Kit.....	38-39
Shuttle Orifice Kits Assembly.....	40-41
Stroking Piston Cover with Flushing.....	42-43
Stroking Piston Cover without Flushing.....	44-45
Parts Pricing.....	46-49
Parts Cross Reference.....	50-51



Assembly Number
AA6VM55



REXROTH CORPORATION

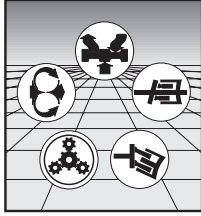
MOBILE HYDRAULICS DIVISION

Assembly Number
AA6VM55

Item	Description	Qty	Part Number	
1	Rotary Group	1	HU00604149	
2	Rear Cover Assembly	1	5620-430-019	
3	HD1 Control Kit		HU00603897	
3	HD2 Control Kit		HU00603867	
3	EP1 Control Kit		HU00603818	
3	EP2 Control Kit		HU00603819	
3	HA1 Control Kit		HU00605779	
3	HA2 Control Kit		HU00605233	
3	HA1T Control Kit		HU00605660	
3	HA2T Control Kit		HU00610027	
3	HZ1 Control Kit		HU00437278	
3	EZ1 Control Kit		HU00433953	
3	EZ2 Control Kit		HU00433954	
4	Check Valve Kit		5600-635-011	
4	Plug Kit		5600-635-020	
5	Shuttle Orifice (.26 mm ø, Number 3)		HU00417118	<input type="checkbox"/> ▼
5	Shuttle Orifice (.26 mm ø, Number 3)		HU00400262	<input type="checkbox"/> ◐
5	Shuttle Orifice (.39 mm ø, Number 4)		HU00425867	<input type="checkbox"/> ▼
5	Shuttle Orifice (.39 mm ø, Number 4)		HU00411019	<input type="checkbox"/> ◐
5	Shuttle Orifice (.47 mm ø, Number 5)		HU00425868	<input type="checkbox"/> ▼
5	Shuttle Orifice (.47 mm ø, Number 5)		HU00410814	<input type="checkbox"/> ◐
5	Shuttle Orifice (.56 mm ø, Number 6)		HU00425869	<input type="checkbox"/> ▼
5	Shuttle Orifice (.56 mm ø, Number 6)		HU00410142	<input type="checkbox"/> ◐
5	Shuttle Orifice (.69 mm ø, Number 8)		HU00425870	<input type="checkbox"/> ▼
5	Shuttle Orifice (.69 mm ø, Number 8)		HU00410278	<input type="checkbox"/> ◐

- Choose the correct shuttle orifice to change motor swivel time.
- ▼ Indicates single cone shuttle orifice. See page 41 for shuttle orientation.
- ◐ Indicates double cone shuttle orifice. See page 40 for shuttle location.

Parts list continued on pages 6



REXROTH CORPORATION

MOBILE HYDRAULICS DIVISION

Assembly Number
AA6VM55

Item	Description	Qty	Part Number	
6	Stroking Piston Cover (with Flushing)		HU00603845	
6	Stroking Piston Cover (without Flushing)		HU00603839	
7	Plug (7/8-14)	1	76122-010	
7a	O-Ring (75 Duro FPM Tube PRP-910)	1	68106-910	* ▲
8	Disp. Stop Screw (M10 x 60)		60134-002	●
8	Disp. Stop Screw (M10 x 70)		60134-003	●
8	Disp. Stop Screw (M10 x 80)		60134-004	●
8	Disp. Stop Screw (M10 x 90)		60134-122	●
9	Seal Nut (M10)	2	65110-001	*
10	Orifice Seat - Outer	1	HU00400264	
11	Orifice Seat - Inner	1	HU00400263	
12	Housing	1	HU00921863	
13	Plug (1 1/16-12)	1	76122-012	
13a	O-Ring (75 Duro FPM Tube PRP-912)	1	68106-912	* ■
16	O-Ring (75 Duro FPM PRP-252)	1	68103-252	*
18	Snap Ring (M62 x 2 DIN 472)	1	71128-006	
21	Shaft Seal (45 x 62 x 7-FPM)	1	5000-076-026	*
22	Shim (M50 x 62 x 3.0 DIN 988)	1	HU00087079	
23	Flushing Orifice (1.2 mm ø, 3.5 L/Min.)		HU00651766	◆
23	Flushing Orifice (1.4 mm ø, 5 L/Min.)		HU00419695	◆
23	Flushing Orifice (1.8 mm ø, 8 L/Min.)		HU00419696	◆
23	Flushing Orifice (2.0 mm ø, 10 L/Min.)		HU00419697	◆
23	Flushing Orifice (2.4 mm ø, 14 L/Min.)		HU00444361	◆

* Contained in Seal Kit 5620-635-007

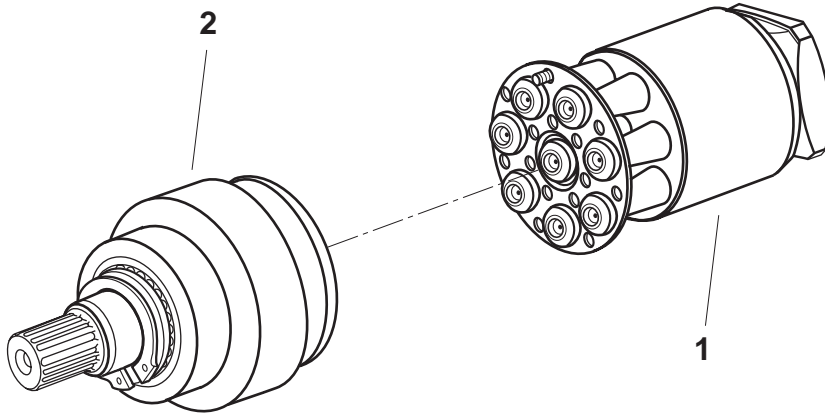
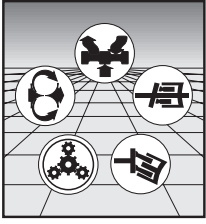
▲ Included with 76122-010

■ Included with 76122-012

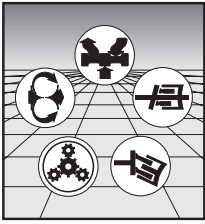
● Select Stop Screws for required motor displacement. (per RA 91604-S)

◆ Select Orifice for required flushing flow.

Notes



Assembly Number
HU00604149

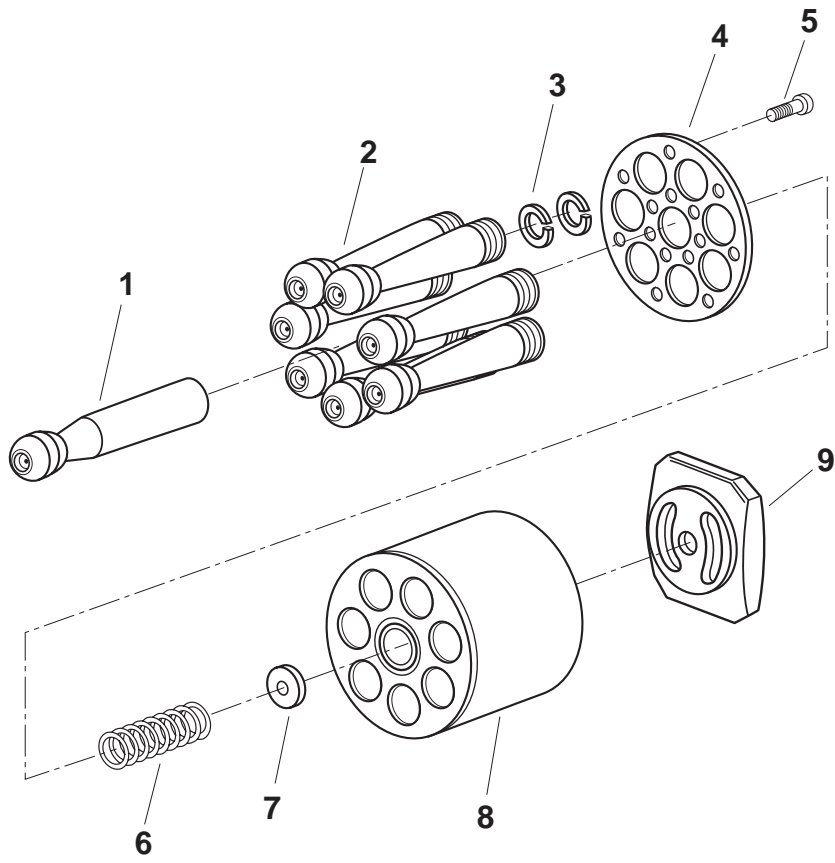
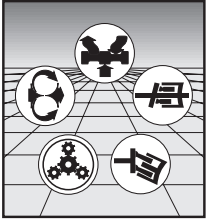


REXROTH CORPORATION

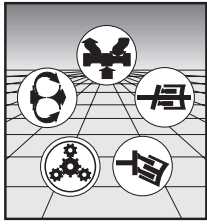
MOBILE HYDRAULICS DIVISION

Assembly Number
HU00604149

Item	Description	Qty	Part Number	
1	Hydraulic Rotary Group	1	HU00603991	
2	Drive Shaft Bearing Assembly (S Code)	1	HU00275112	



Assembly Number
HU00603991



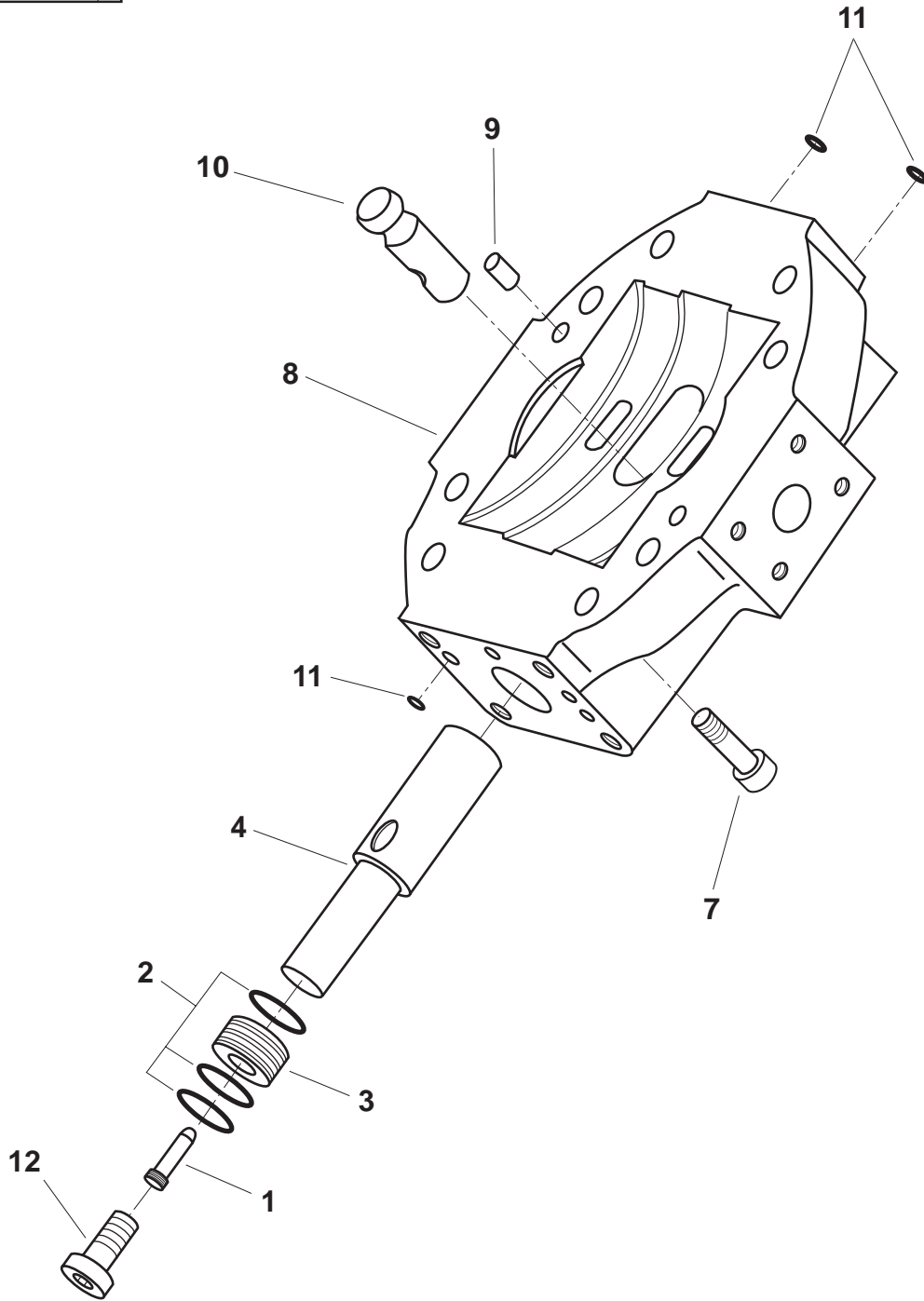
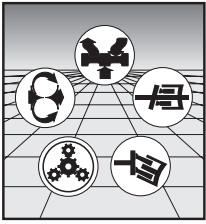
REXROTH CORPORATION

MOBILE HYDRAULICS DIVISION

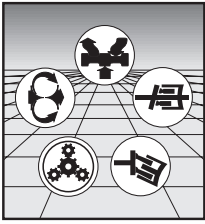
Assembly Number
HU00603991

Item	Description	Qty	Part Number	
1	Center Pin	1	HU00921751	
2	Pistons	7	HU00443335	
3	Piston Rings	14	HU00831890	
4	Retaining Plate	1	HU00003164	
5	Torx Head Screw	14	HU00831104	
6	Pressure Spring	1	HU00921752	
7	Preload Shim (3.5 mm)	1	HU00921745	▲
7	Preload Shim (3.6 mm)	0	HU00921746	▲
7	Preload Shim (3.7 mm)	0	HU00921747	▲
7	Preload Shim (3.8 mm)	0	HU00921748	▲
7	Preload Shim (3.9 mm)	0	HU00921749	▲
7	Preload Shim (4.0 mm)	0	HU00921750	▲
8	Barrel	1	HU00421290	
9	Control Lens	1	HU00921786	

▲ Choose the correct Preload Shim to set Rotary Group preload.



Assembly Number
5620-430-019



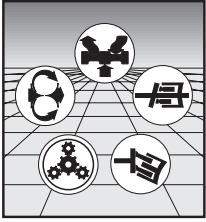
REXROTH CORPORATION

MOBILE HYDRAULICS DIVISION

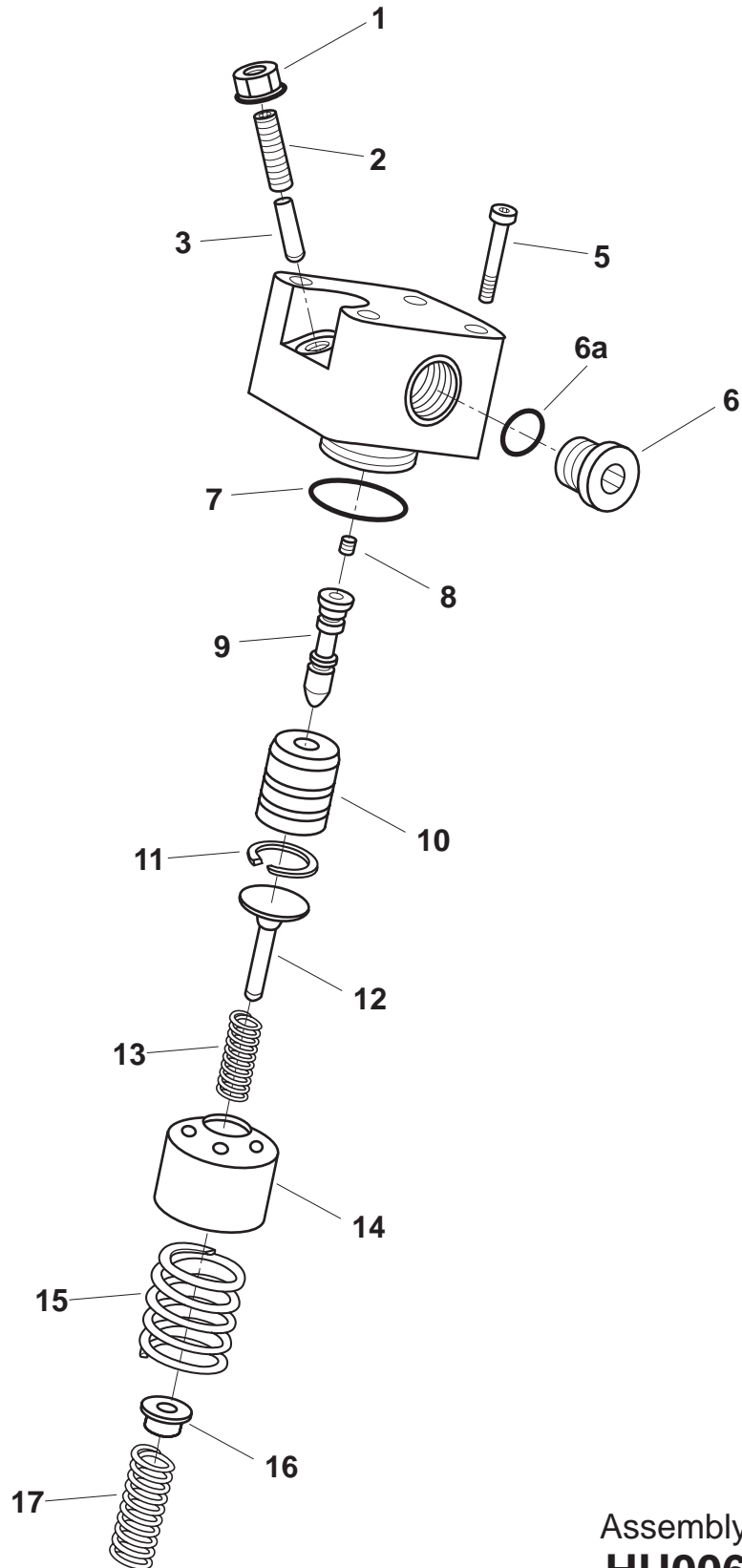
Assembly Number
5620-430-019

Item	Description	Qty	Part Number	
1	Threaded Pin	1	HU00445056	
2	Square-Ring (M22 x 1.5 DIN 34110)	3	H832142	
3	Piston	1	HU00652200	
4	Stroking Piston	1	HU00921439	
7	Cap Screw (M10 x 60 DIN 912-8.8)	8	60118-118	
8	Port Block (AA6VM55/63)	1	5620-430-018	
9	Dowel Pin (M8 x 16 DIN 7)	2	69115-040	
10	Lens Pin	1	HU00422940	
11	O-Ring (90 Duro FPM PRP-011)	6	68109-011	*
12	Cap Screw (M10 x 25 DIN 6912-8.8)	1	60140-046	

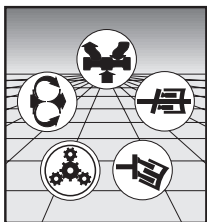
* Contained in Seal Kit 5620-635-007



HD1 Control



Assembly Number
HU00603897



REXROTH CORPORATION

MOBILE HYDRAULICS DIVISION

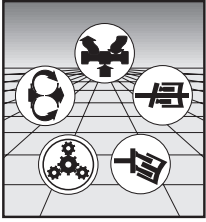
HD1 Control

Assembly Number
HU00603897

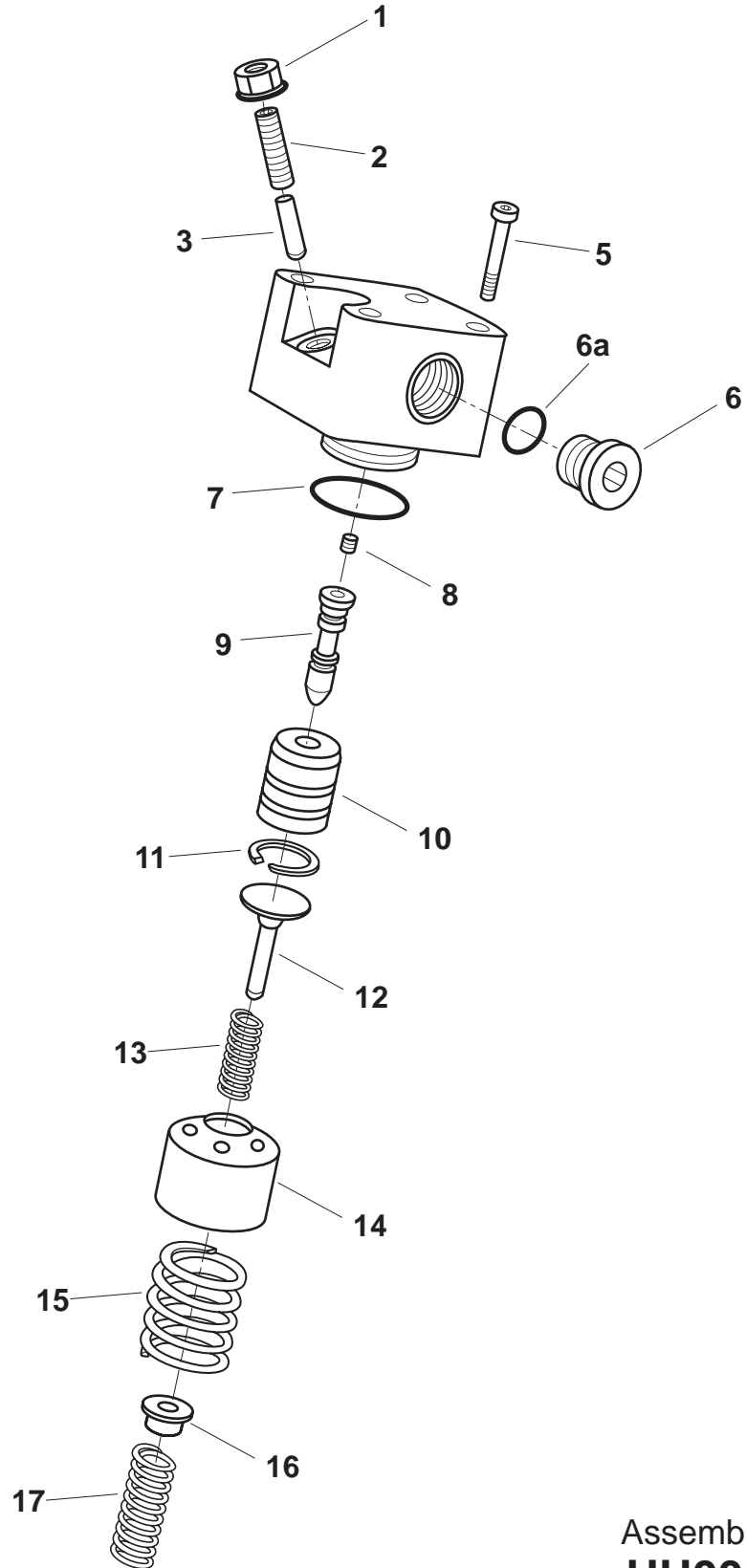
Item	Description	Qty	Part Number	
1	Seal Nut (M6)	1	65110-003	*
2	Adjusting Screw (M6 x 30 DIN 913-12.9)	1	60137-012	
3	Pin (M4 x 24 DIN 6325)	1	69116-019	
5	Cap Screw (M6 x 40 DIN 912-8.8)	4	60118-063	
6	Plug (9/16-18)	1	76122-006	
6a	O-Ring (75 Duro FPM Tube PRP-906)	1	68106-906	*●
7	O-Ring (75 Duro FPM PRP-025)	1	68103-025	*
8	Screw (M4 x 6 DIN 913-10.9)	1	60137-001	
9	Control Spool	1	HU00412266	
10	Control Bushing	1	HU00412246	
11	Snap Ring (M16 x 1 DIN 472)	1	71128-015	
12	Spring Retainer	1	HU00921351	
13	Spring	1	HU00921420	
14	Spring Bushing	1	HU00651118	
15	Spring	1	HU00651116	
16	Spring Retainer	1	HU00414967	
17	Spring	1	HU00921135	

* Contained in Seal Kit 5620-635-007

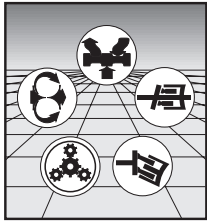
● Included with 76122-006



HD2 Control



Assembly Number
HU00603867



REXROTH CORPORATION

MOBILE HYDRAULICS DIVISION

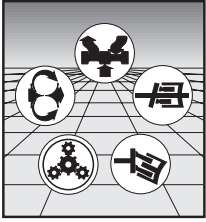
HD2 Control

Assembly Number
HU00603867

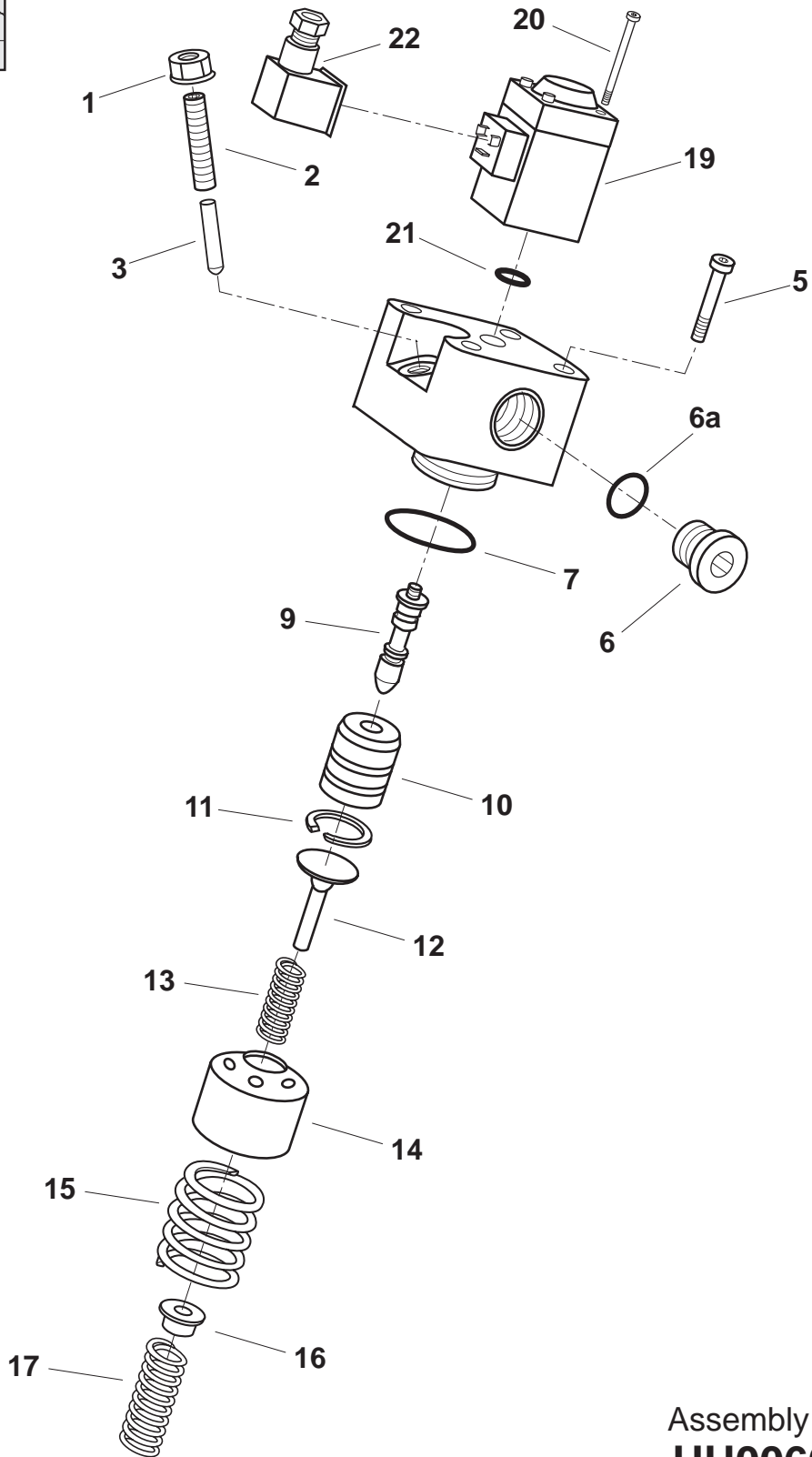
Item	Description	Qty	Part Number	
1	Seal Nut (M6)	1	65110-003	*
2	Adjusting Screw (M6 x 30 DIN 913-12.9)	1	60137-012	
3	Pin (M4 x 20 DIN 6325)	1	69116-019	
5	Cap Screw (M6 x 40 DIN 912-8.8)	4	60118-063	
6	Plug (9/16-18)	1	76122-006	
6a	O-Ring (75 Duro FPM Tube PRP-906)	1	68106-906	*●
7	O-Ring (75 Duro FPM PRP-025)	1	68103-025	*
8	Screw (M4 x 6 DIN 913-10.9)	1	60137-001	
9	Control Spool	1	HU00417323	
10	Control Bushing	1	HU00417322	
11	Snap Ring (M16 x 1 DIN 472)	1	71128-015	
12	Spring Retainer	1	HU00921351	
13	Spring	1	HU00921420	
14	Spring Bushing	1	HU00651118	
15	Spring	1	HU00651116	
16	Spring Retainer	1	HU00421516	
17	Spring	1	HU00921793	

* Contained in Seal Kit 5620-635-007

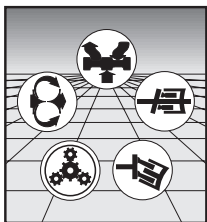
● Included with 76122-006



EP1 Control



Assembly Number
HU00603818



REXROTH CORPORATION

MOBILE HYDRAULICS DIVISION

Assembly Number
HU00603818

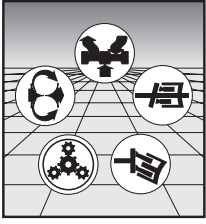
EP1 Control

Item	Description	Qty	Part Number	
1	Seal Nut (M6)	1	65110-003	*
2	Adjusting Screw (M6 x 30 DIN 913-12.9)	1	60137-012	
3	Pin (4 x 24 DIN 6325)	1	69116-019	
5	Cap Screw (M6 x 40 DIN 912-8.8)	4	60118-063	
6	Plug (9/16-18)	1	76122-006	
6a	O-Ring (75 Duro FPM Tube PRP-906)	1	68106-906	*▲
7	O-Ring (75 Duro FPM PRP-025)	1	68103-025	*
9	Control Spool	1	HU00921942	
10	Control Bushing	1	HU00412246	
11	Snap Ring (M16 x 1 DIN 472)	1	71128-015	
12	Spring Retainer	1	HU00921351	
13	Spring	1	HU00921421	
14	Spring Bushing	1	HU00651118	
15	Spring	1	HU00651116	
16	Spring Retainer	1	HU00414967	
17	Spring	1	HU00432813	
19	Solenoid (12V Proportional)	1	5604-080-002	
20	Cap Screw (M4 x 50 DIN 912-8.8)	4	60118-027	□
21	O-Ring (75 Duro FPM PRP-018)	1	68103-018	*
22	Plug-Connector, Black	1	5400-085-002	

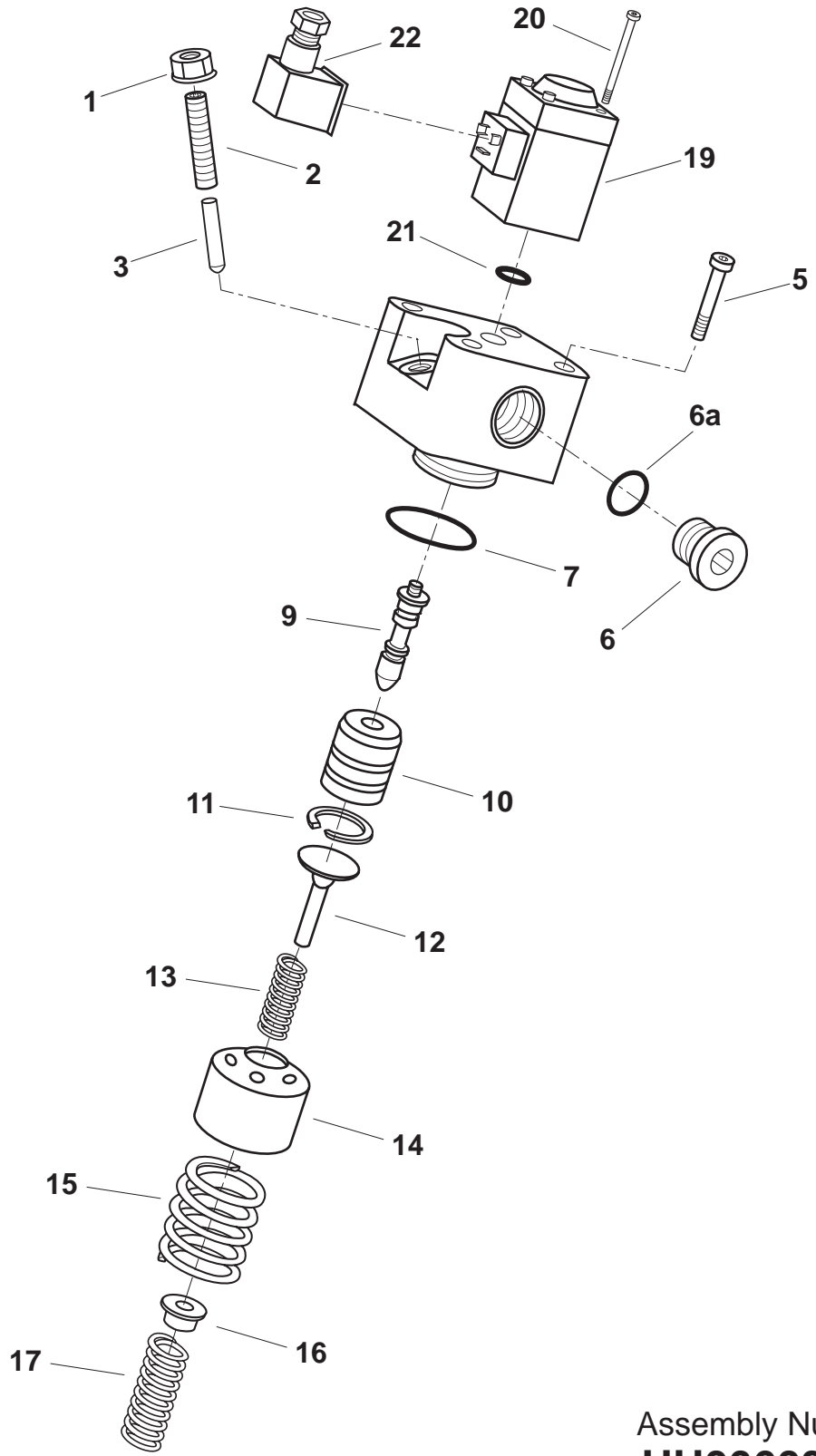
* Contained in Seal Kit 5620-635-007

▲ Included with 76122-006

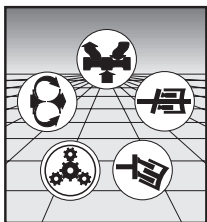
□ Included with 5604-080-002



EP2 Control



Assembly Number
HU00603819



REXROTH CORPORATION

MOBILE HYDRAULICS DIVISION

Assembly Number
HU00603819

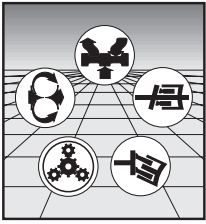
EP2 Control

Item	Description	Qty	Part Number	
1	Seal Nut (M6)	1	65110-003	*
2	Adjusting Screw (M6 x 30 DIN 913-12.9)	1	60137-012	
3	Pin (4 x 24 DIN 6325)	1	69116-019	
5	Cap Screw (M6 x 40 DIN 912-8.8)	4	60118-063	
6	Plug (9/16-18)	1	76122-006	
6a	O-Ring (75 Duro FPM Tube PRP-906)	1	68106-906	*▲
7	O-Ring (75 Duro FPM PRP-025)	1	68103-025	*
9	Control Spool	1	HU00921942	
10	Control Bushing	1	HU00412246	
11	Snap Ring (M16 x 1 DIN 472)	1	71128-015	
12	Spring Retainer	1	HU00921351	
13	Spring	1	HU00921421	
14	Spring Bushing	1	HU00651118	
15	Spring	1	HU00651116	
16	Spring Retainer	1	HU00414967	
17	Spring	1	HU00432813	
19	Solenoid (24V Proportional)	1	5604-080-001	
20	Cap Screw (M4 x 50 DIN 912-8.8)	4	60118-027	□
21	O-Ring (75 Duro FPM PRP-018)	1	68103-018	*
22	Plug-Connector, Black	1	5400-085-002	

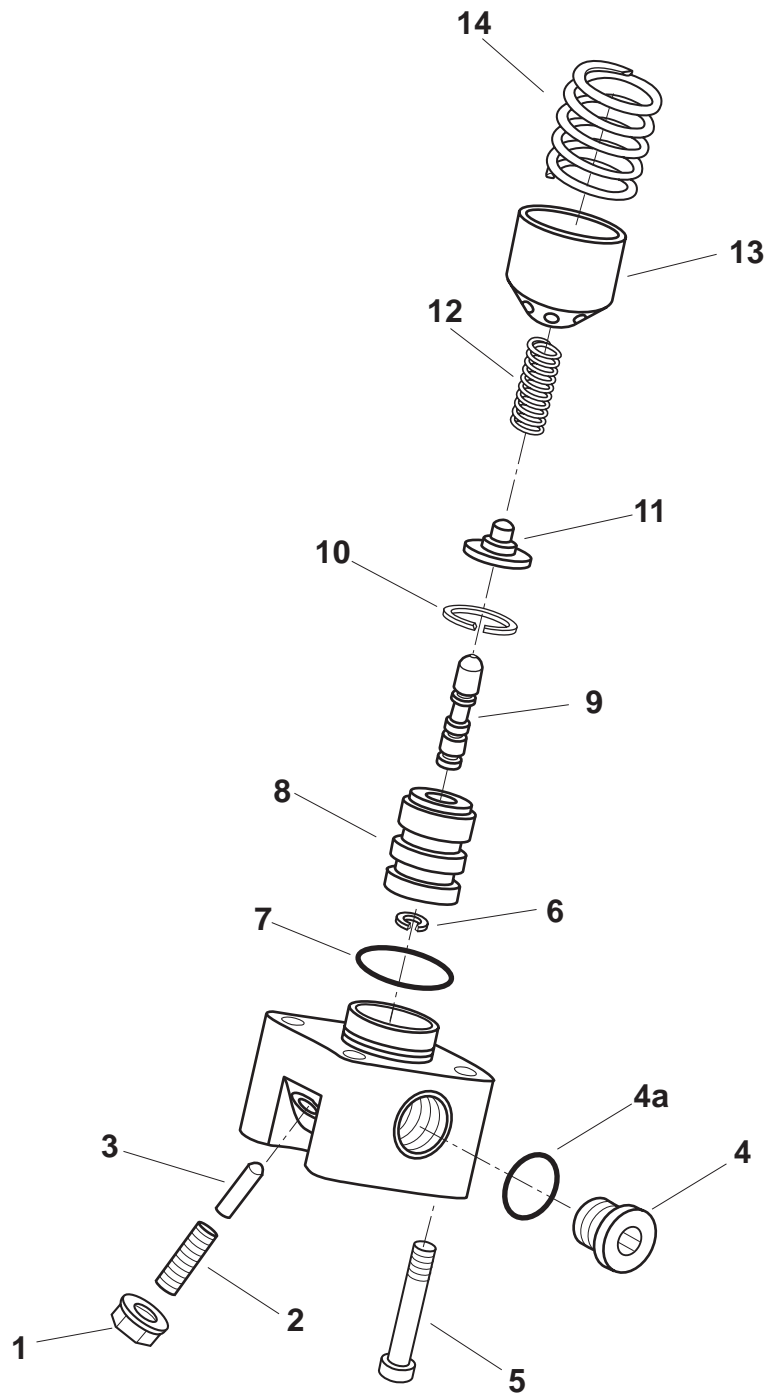
* Contained in Seal Kit 5620-635-007

▲ Included with 76122-006

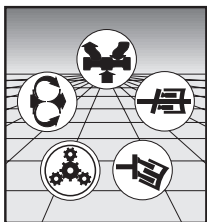
□ Included with 5604-080-001



HA1 Control



Assembly Number
HU00605779



REXROTH CORPORATION

MOBILE HYDRAULICS DIVISION

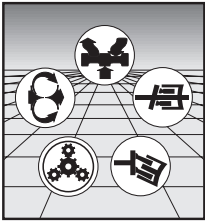
HA1 Control

Assembly Number
HU00605779

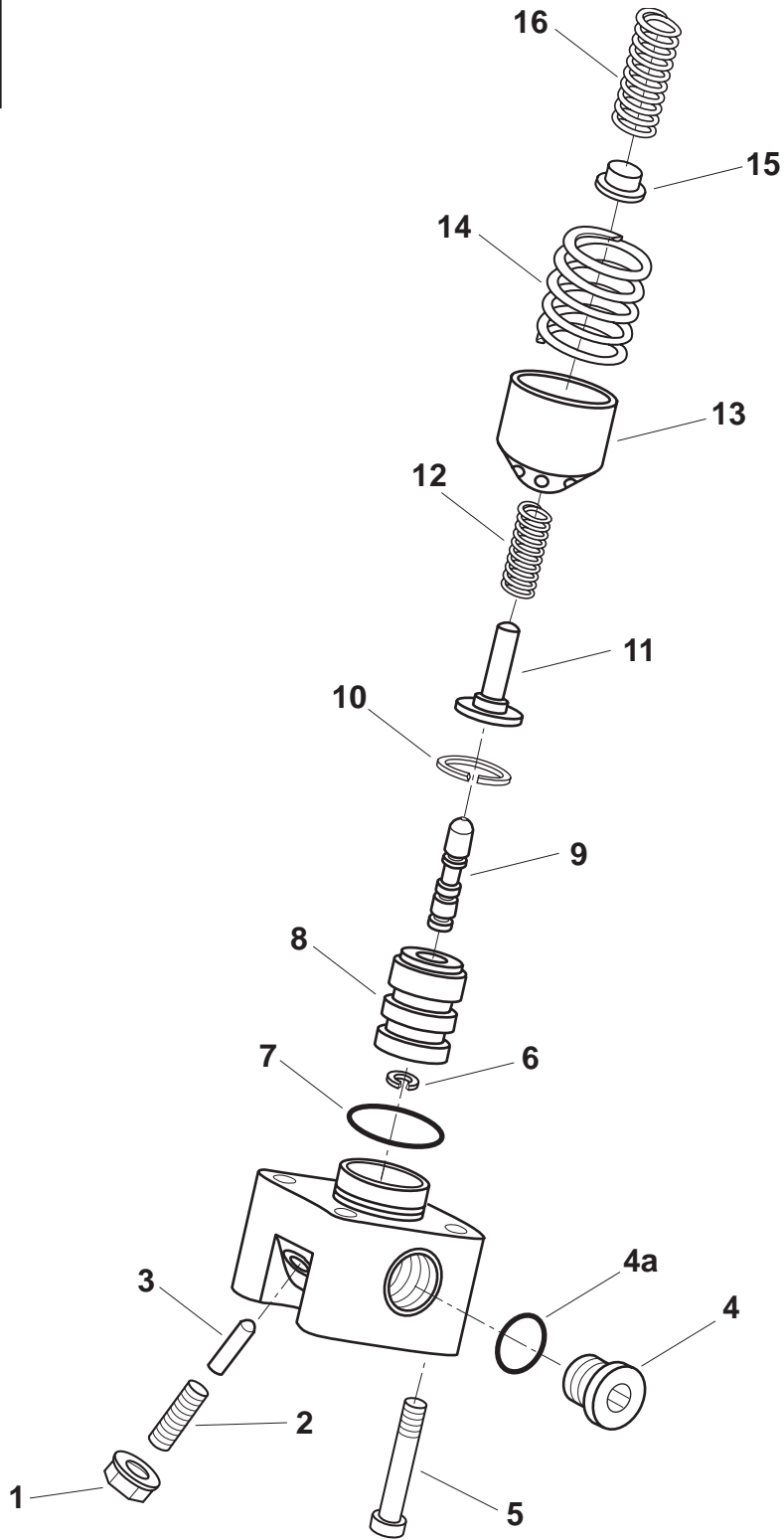
Item	Description	Qty	Part Number	
1	Seal Nut (M6)	1	65110-003	*
2	Adjusting Screw (M6 x 30 DIN 913-12.9)	1	60137-012	
3	Pin (M4 x 24 DIN 6325)	1	69116-019	
4	Plug (9/16-18)	1	76122-006	
4a	O-Ring (75 Duro FPM Tube PRP-906)	1	68106-906	*▲
5	Cap Screw (M6 x 40 DIN 912-8.8)	4	60118-063	
6	Circlip	1	HU00085812	
7	O-Ring (75 Duro FPM PRP-025)	1	68103-025	*
8	Control Bushing	1	HU00417512	
9	Control Spool	1	HU00430747	
10	Snap Ring (M16 x 1 DIN 472)	1	71128-015	
11	Spring Retainer	1	HU00921339	
12	Spring	1	HU00921419	
13	Spring Bushing	1	HU00651118	
14	Spring	1	HU00651116	

* Contained in Seal Kit 5620-635-007

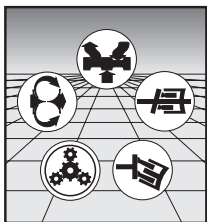
▲ Included with 76122-006



HA2 Control



Assembly Number
HU00605233



REXROTH CORPORATION

MOBILE HYDRAULICS DIVISION

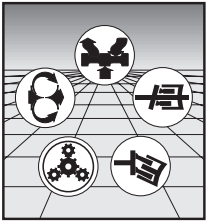
HA2 Control

Assembly Number
HU00605233

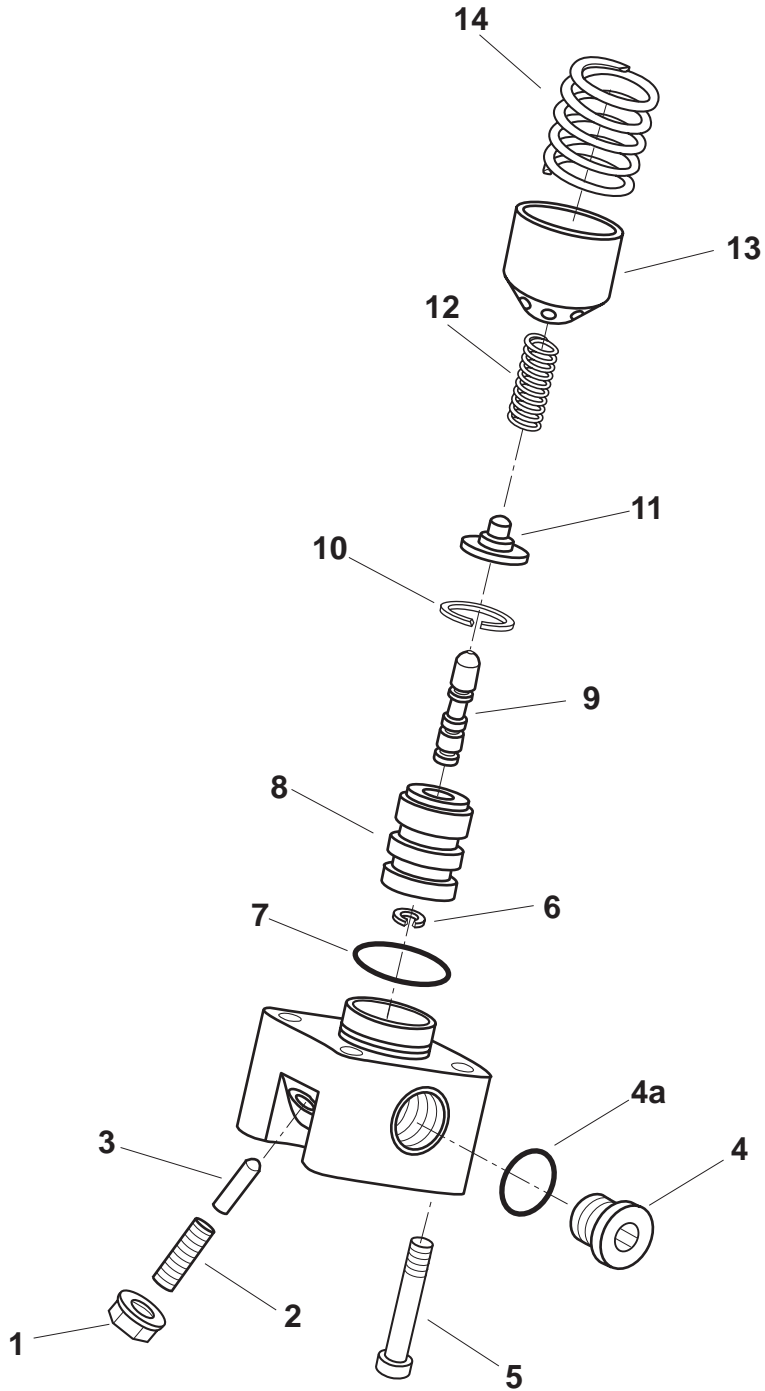
Item	Description	Qty	Part Number	
1	Seal Nut (M6)	1	65110-003	*
2	Adjusting Screw (M6 x 30 DIN 913-12.9)	1	60137-012	
3	Pin (M4 x 24 DIN 6325)	1	69116-019	
4	Plug (9/16-18)	2	76122-006	
4a	O-Ring (75 Duro FPM Tube PRP-906)	2	68106-906	*▲
5	Cap Screw (M6 x 40 DIN 912-8.8)	4	60118-063	
6	Circlip	1	HU00085812	
7	O-Ring (75 Duro FPM PRP-025)	1	68103-025	*
8	Control Bushing	1	HU00417512	
9	Control Spool	1	HU00430747	
10	Snap Ring (M16 x 1 DIN 472)	1	71128-015	
11	Spring Retainer	1	HU00921351	
12	Spring	1	HU00921419	
13	Spring Bushing	1	HU00651118	
14	Spring	1	HU00651116	
15	Spring Retainer	1	HU00414967	
16	Spring	1	HU00444549	

* Contained in Seal Kit 5620-635-007

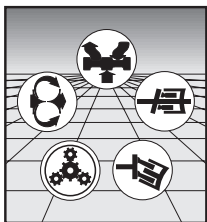
▲ Included with 76122-006



HA1T Control



Assembly Number
HU00605660



REXROTH CORPORATION

MOBILE HYDRAULICS DIVISION

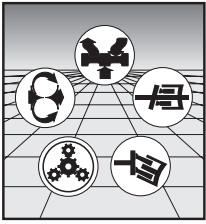
HA1T Control

Assembly Number
HU00605660

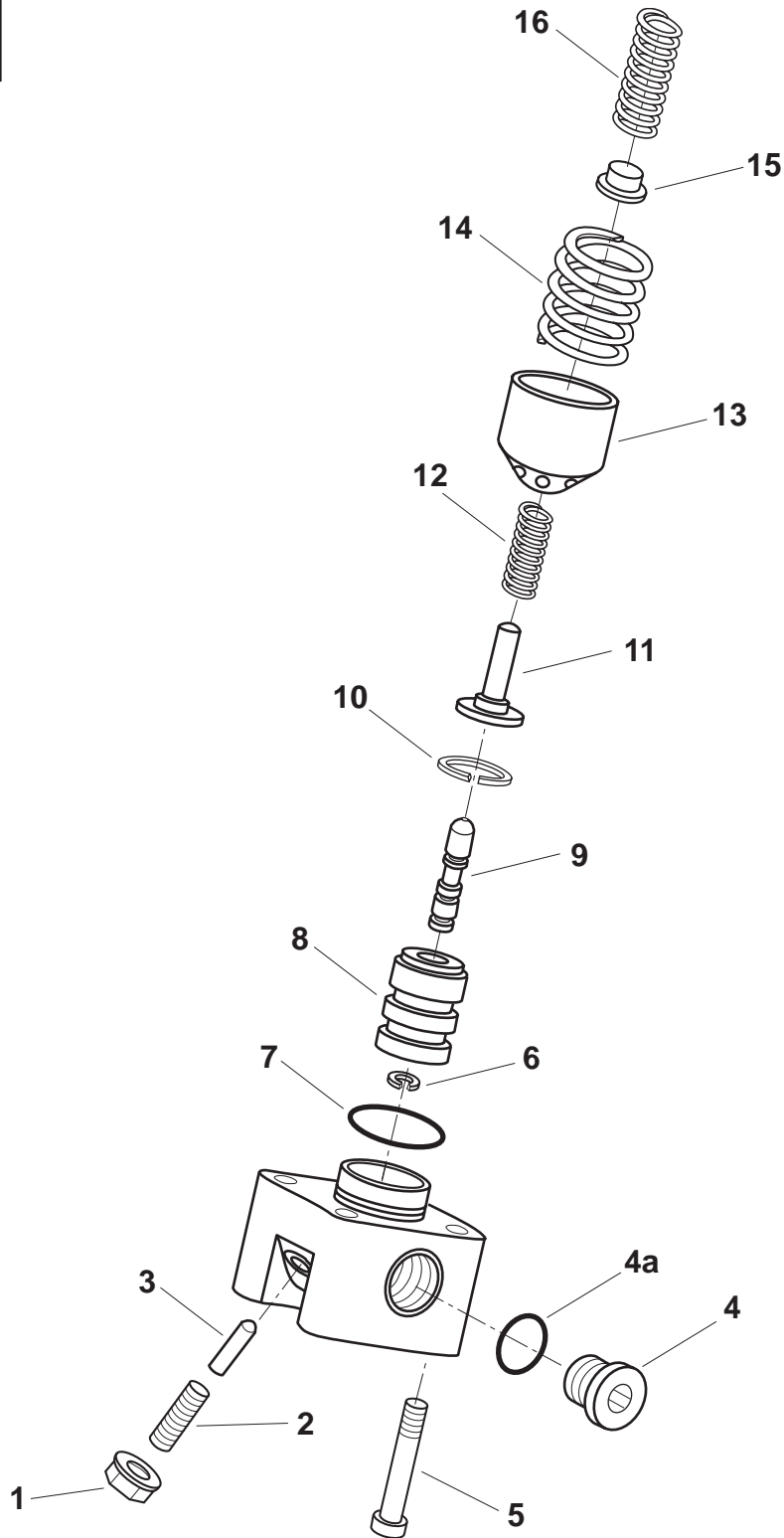
Item	Description	Qty	Part Number	
1	Seal Nut (M6)	1	65110-003	*
2	Adjusting Screw (M6 x 30 DIN 913-12.9)	1	60137-012	
3	Pin (M4 x 24 DIN 6325)	1	69116-019	
4	Plug (9/16-18)	1	76122-006	
4a	O-Ring (75 Duro FPM Tube PRP-906)	1	68106-906	*▲
5	Cap Screw (M6 x 40 DIN 912-8.8)	4	60118-063	
6	Circlip	1	HU00085812	
7	O-Ring (75 Duro FPM PRP-025)	1	68103-025	*
8	Control Bushing	1	HU00417512	
9	Control Spool	1	HU00430748	
10	Snap Ring (M16 x 1 DIN 472)	1	71128-015	
11	Spring Retainer	1	HU00921339	
12	Spring	1	HU00921419	
13	Spring Bushing	1	HU00651118	
14	Spring	1	HU00651116	

* Contained in Seal Kit 5620-635-007

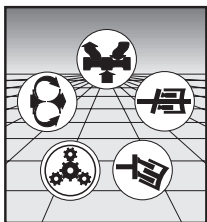
▲ Included with 76122-006



HA2T Control



Assembly Number
HU00610027



REXROTH CORPORATION

MOBILE HYDRAULICS DIVISION

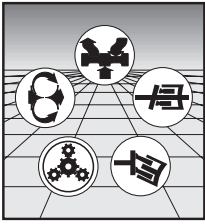
HA2T Control

Assembly Number
HU00610027

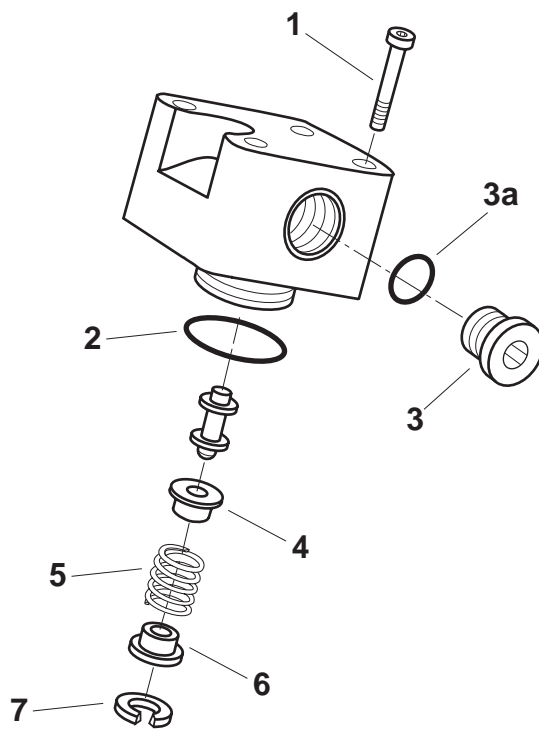
Item	Description	Qty	Part Number	
1	Seal Nut (M6)	1	65110-003	*
2	Adjusting Screw (M6 x 30 DIN 913-12.9)	1	60137-012	
3	Pin (M4 x 24 DIN 6325)	1	69116-019	
4	Plug (9/16-18)	1	76122-006	
4a	O-Ring (75 Duro FPM Tube PRP-906)	1	68106-906	*▲
5	Cap Screw (M6 x 40 DIN 912-8.8)	4	60118-063	
6	Circlip	1	HU00085812	
7	O-Ring (75 Duro FPM PRP-025)	1	68103-025	*
8	Control Bushing	1	HU00417512	
9	Control Spool	1	HU00430748	
10	Snap Ring (M16 x 1 DIN 472)	1	71128-015	
11	Spring Retainer	1	HU00921351	
12	Spring	1	HU00921419	
13	Spring Bushing	1	HU00651118	
14	Spring	1	HU00651116	
15	Spring Retainer	1	HU00414967	
16	Spring	1	HU00444549	

* Contained in Seal Kit 5620-635-007

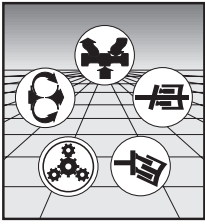
▲ Included with 76122-006



HZ1 Control



Assembly Number
HU00437278



REXROTH CORPORATION

MOBILE HYDRAULICS DIVISION

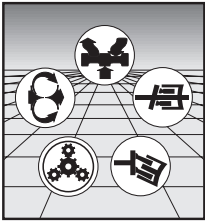
HZ1 Control

Assembly Number
HU00437278

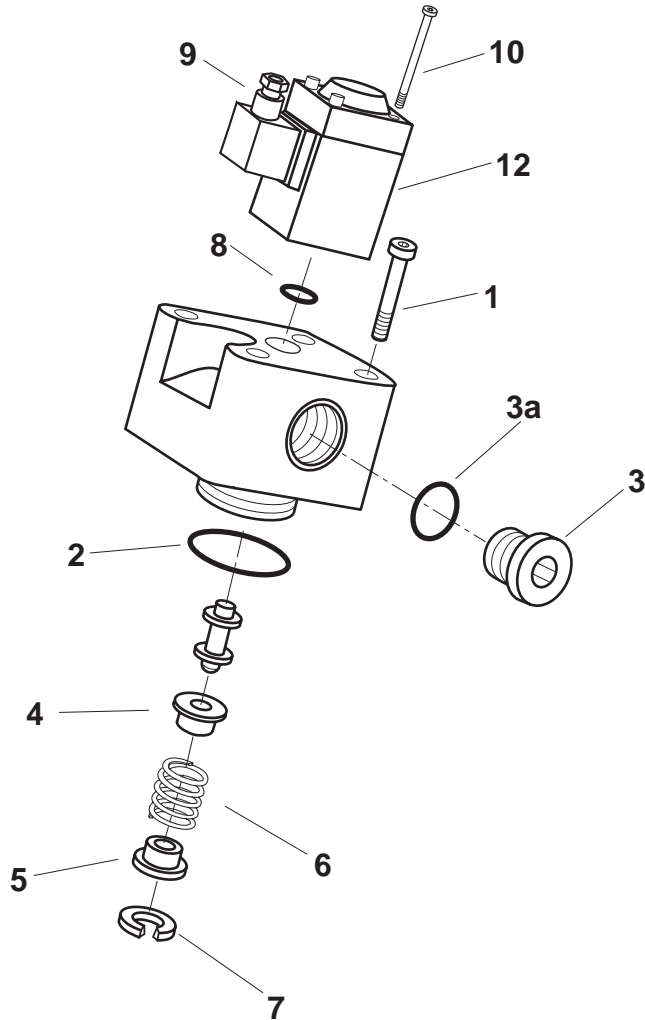
Item	Description	Qty	Part Number	
1	Cap Screw (M6 x 40 DIN 912-8.8)	4	60118-063	
2	O-Ring (75 Duro FPM PRP-026)	1	68103-026	*
3	Plug (9/16-18)	1	76122 -006	
3a	O-Ring (75 Duro FPM Tube PRP-906)	1	68106-906	* D
4	Spring Retainer	1	HU00426138	
5	Spring	1	HU00432802	
6	Spring Retainer	1	HU00426136	
7	Snap Ring (M16 x 1 DIN 472)	1	71128-015	

* Contained in Seal Kit 5620-635-007

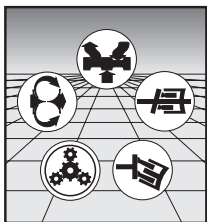
D Included with 76122-006



EZ1 Control



Assembly Number
HU00433953



REXROTH CORPORATION

MOBILE HYDRAULICS DIVISION

EZ1 Control

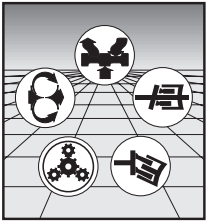
Assembly Number
HU00433953

Item	Description	Qty	Part Number	
1	Cap Screw (M6 x 35 DIN 912-8.8)	4	60118-062	
2	O-Ring (75 Duro FPM PRP-026)	1	68103-026	*
3	Plug (9/16-18)	1	76122-006	
3a	O-Ring (75 Duro FPM Tube PRP-906)	1	68106-906	*▲
4	Spring Retainer	1	HU00426138	
5	Spring Retainer	1	HU00426136	
6	Spring	1	HU00436459	
7	Snap Ring (M16 x 1 DIN 472)	1	71128-015	
8	O-Ring (75 Duro FPM PRP-016)	1	68103-016	*
9	Plug-Connector, Black	1	5400-085-002	
10	Cap Screw (M4 x 65 DIN 912-8.8)	4	60118-340	□
12	Solenoid (12 VDC Non-proportional)	1	5406-580-002	

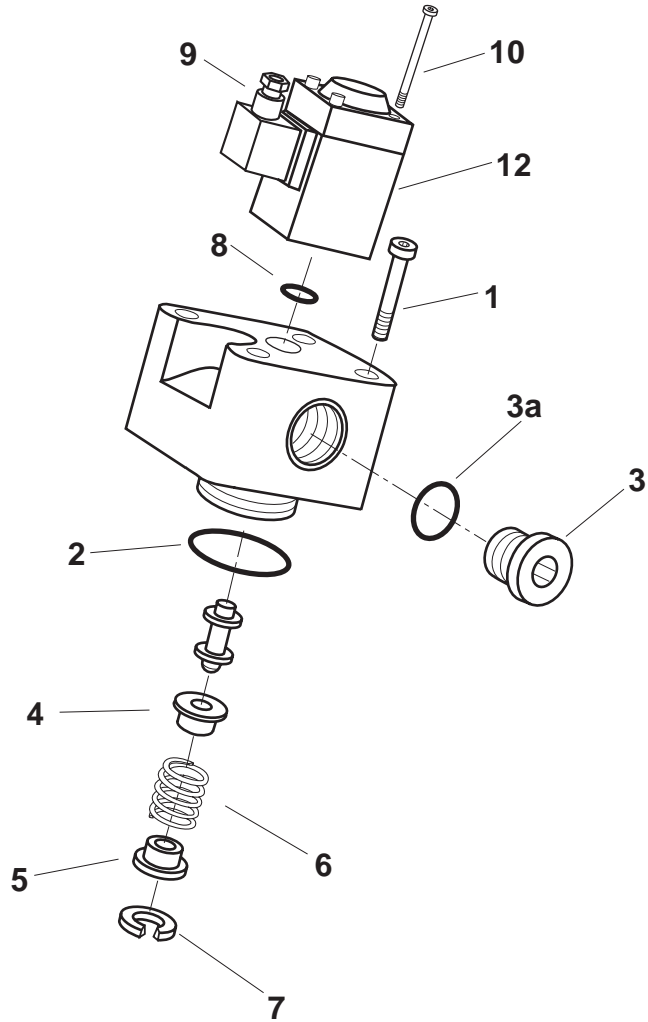
* Contained in Seal Kit 5620-635-007

▲ Included with 76122-006

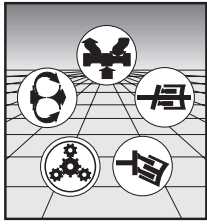
□ Included with 5406-580-002



EZ2 Control



Assembly Number
HU00433954



REXROTH CORPORATION

MOBILE HYDRAULICS DIVISION

EZ2 Control

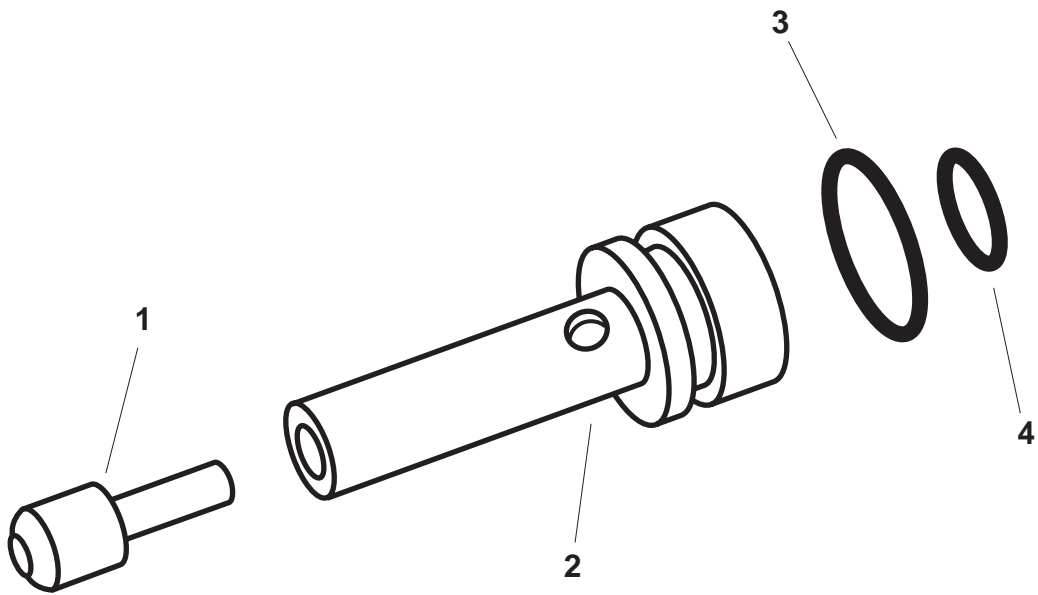
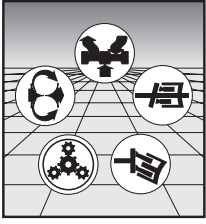
Assembly Number
HU00433954

Item	Description	Qty	Part Number	
1	Cap Screw (M6 x 35 DIN 912-8.8)	4	60118-062	
2	O-Ring (75 Duro FPM PRP-026)	1	68103-026	*
3	Plug (9/16-18)	1	76122-006	
3a	O-Ring (75 Duro FPM Tube PRP-906)	1	68106-906	*▲
4	Spring Retainer	1	HU00426138	
5	Spring Retainer	1	HU00426136	
6	Spring	1	HU00436459	
7	Snap Ring (M16 x 1 DIN 472)	1	71128-015	
8	O-Ring (75 Duro FPM PRP-016)	1	68103-016	*
9	Plug-Connector, Black	1	5400-085-002	
10	Cap Screw (M4 x 65 DIN 912-8.8)	4	60118-340	□
12	Solenoid (24 VDC Non-proportional)	1	5406-580-001	

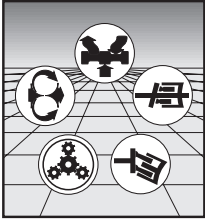
* Contained in Seal Kit 5620-635-007

▲ Included with 76122-006

□ Included with 5406-580-001



Assembly Number
5600-635-011



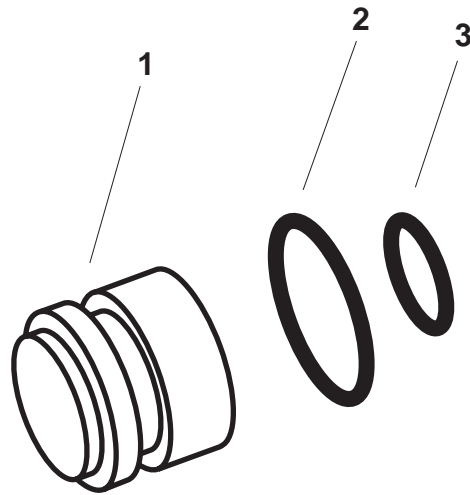
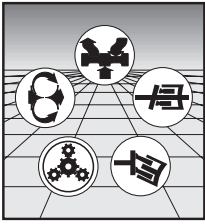
REXROTH CORPORATION

MOBILE HYDRAULICS DIVISION

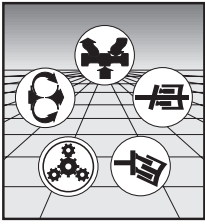
Assembly Number
5600-635-011

Item	Description	Qty	Part Number	
1	Poppet	1	HU00426662	
2	Check Valve Housing	1	HU00422894	
3	O-Ring (90 Duro FPM PRP-012)	1	68109-012	*
4	O-Ring (90 Duro FPM PRP-009)	1	68109-009	*

* Contained in Seal Kit 5620-635-007



Assembly Number
5600-635-020



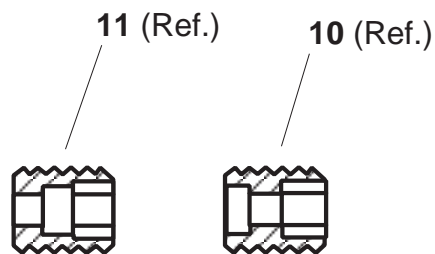
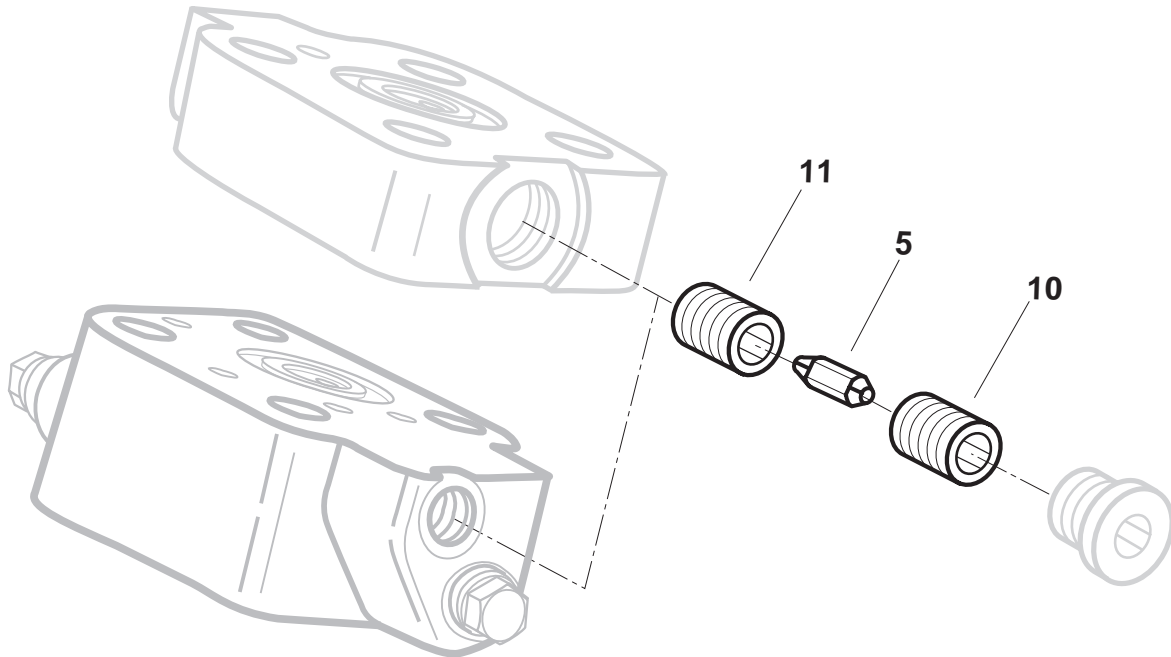
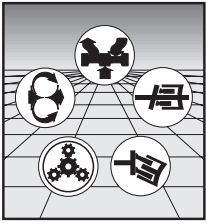
REXROTH CORPORATION

MOBILE HYDRAULICS DIVISION

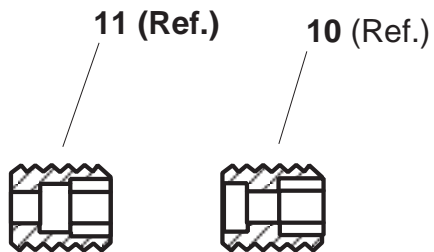
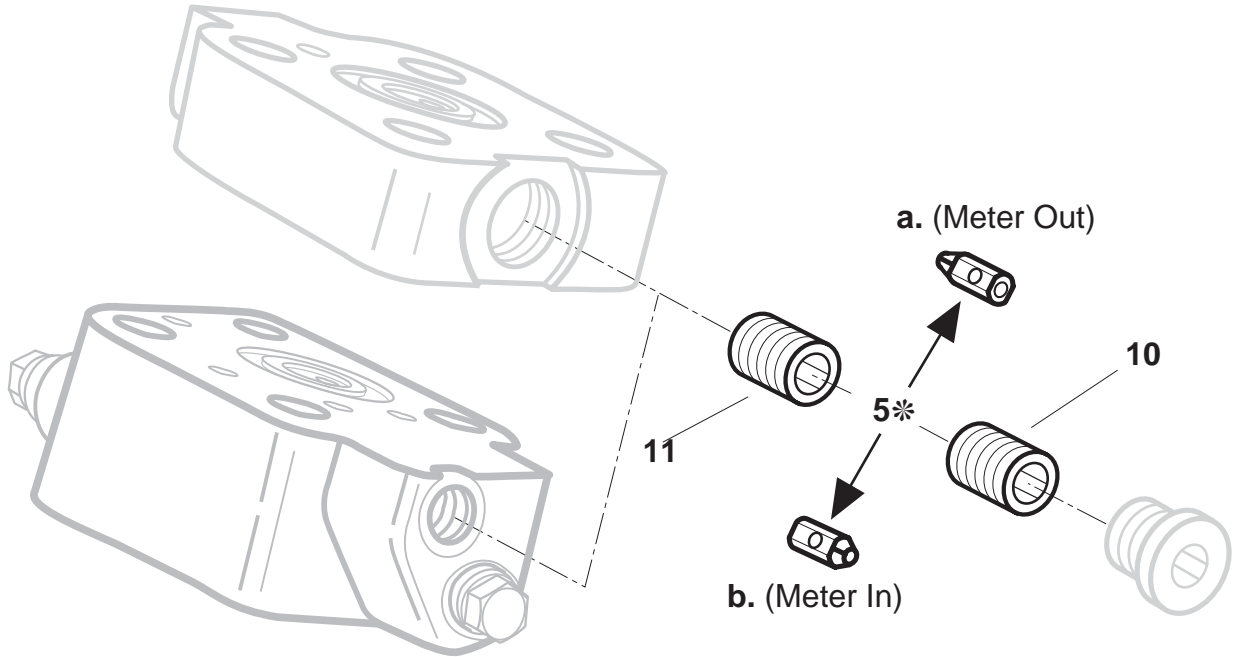
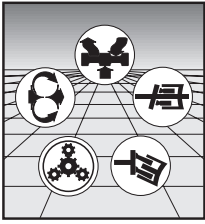
Assembly Number
5600-635-020

Item	Description	Qty	Part Number	
1	Plug	1	HU00415161	
2	O-Ring (90 Duro FPM PRP-012)	1	68109-012	*
3	O-Ring (90 Duro FPM PRP-009)	1	68109-009	*

* Contained in Seal Kit 5620-635-007

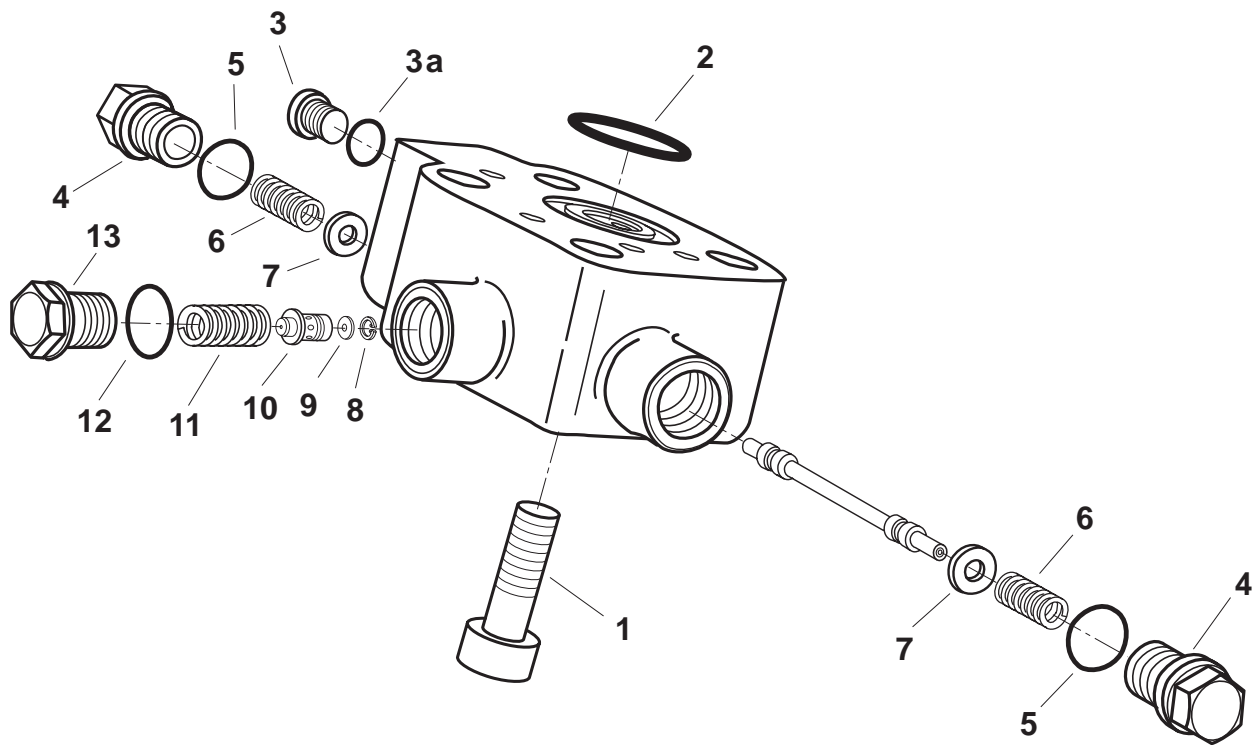
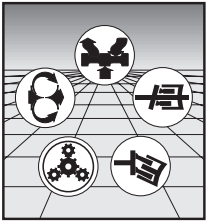


Shuttle Orifice Kits
Bi-Directional

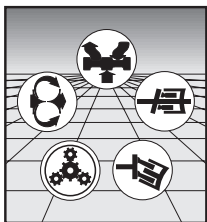


* Note orientation of the shuttle orifice.

Shuttle Orifice Kits
Uni-Directional



Assembly Number
HU00603845



REXROTH CORPORATION

MOBILE HYDRAULICS DIVISION

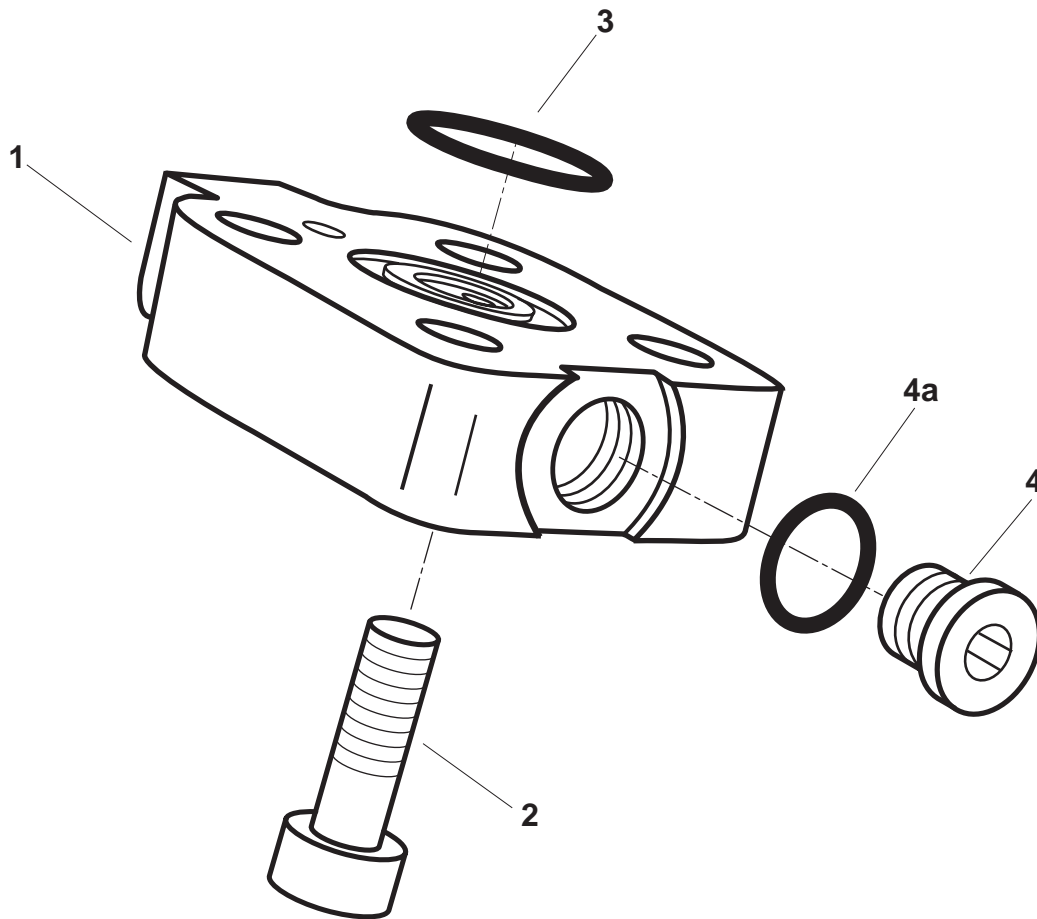
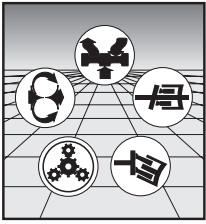
Assembly Number
HU00603845

Item	Description	Qty	Part Number	
1	Cap Screw (M8 x 50 DIN 912-10.9)	4	60119-085	
2	O-Ring (90 Duro FPM PRP-215)	1	68109-215	*
3	Plug (9/16-18)	1	76122-006	
3a	O-Ring (75 Duro FPM Tube PRP-906)	1	68106-906	*D
4	Plug	2	HU00417111	
5	O-Ring (90 Duro FPM PRP-114)	2	68109-114	*
6	Spring	2	HU00417113	
7	Spring Retainer	2	HU00417112	
8	Snap Ring (M8 x 0.8 DIN 472)	1	71128-018	
9	Flushing Orifice	1	See Page 6	□
10	Poppet	1	HU00430234	
11	Spring	1	HU00417848	
12	O-Ring (90 Duro FPM PRP-115)	1	68109-115	*
13	Plug	1	HU00417846	

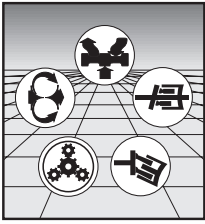
* Contained in Seal Kit 5620-635-007

D Included with 76122-006

□ **Not** Included with HU00603845



Assembly Number
HU00603839



REXROTH CORPORATION

MOBILE HYDRAULICS DIVISION

Assembly Number
HU00603839

Item	Description	Qty	Part Number	
1	Stroking Piston Cover (AA6VM55)	1	HU00921560	
2	Cap Screw (M8 x 30 DIN 6912-10.9)	4	60140-035	
3	O-Ring (90 Duro FPM PRP-215)	1	68109-215	*
4	Plug (9/16-18)	1	76122-006	
4a	O-Ring (75 Duro FPM Tube PRP-906)	1	68106-906	*▲

* Contained in Seal Kit 5620-635-007

▲ Included with 76122-006

Parts Prices

Effective 6.96

Part Number	Description	List (\$) Each
5000-076-026	Shaft Seal (45 x 62 x 7-FPM)	\$67.68
5400-085-002	Plug-Connector, Black	\$12.36
5406-580-001	Solenoid (24 VDC Non-proportional)	\$137.00
5406-580-002	Solenoid (12 VDC Non-proportional)	\$137.00
5600-635-011	Check Valve Kit	\$52.17
5600-635-021	Plug Kit	\$19.96
5604-080-001	Solenoid (24V Proportional)	\$200.00
5604-080-002	Solenoid (12V Proportional)	\$200.00
5620-430-018	Port Block (AA6VM55/63)	\$840.24
5620-430-019	Rear Cover Assembly	\$1,314.22
5620-635-007	Kit-Seal AA6VM55../63...V	\$125.00
60118-027	Cap Screw (M4 x 50 DIN 912-8.8)	\$1.00
60118-062	Cap Screw (M6 x 35 DIN 912-8.8)	\$0.50
60118-063	Cap Screw (M6 x 40 DIN 912-8.8)	\$0.50
60118-118	Cap Screw (M10 x 60 DIN 912-8.8)	\$1.00
60118-340	Cap Screw (M4 x 65 DIN 912-8.8)	\$3.10
60119-085	Cap Screw (M8 x 50 DIN 912-10.9)	\$1.20
60134-002	Disp. Stop Screw (M10 x 60)	\$4.09
60134-003	Disp. Stop Screw (M10 x 70)	\$5.22
60134-004	Disp. Stop Screw (M10 x 80)	\$6.69
60134-122	Disp. Stop Screw (M10 x 90)	\$6.04
60137-001	Screw (M4 x 6 DIN 913-10.9)	\$0.50
60137-012	Adjusting Screw (M6 x 30 DIN 913-12.9)	\$0.50
60140-035	Cap Screw (M8 x 30 DIN 6912-10.9)	\$1.08
60140-046	Cap Screw (M10 x 25 DIN 6912-8.8)	\$1.02
65110-001	Seal Nut (M10)	\$2.22
65110-003	Seal Nut (M6)	\$1.00
68101-026	O-Ring (70 Duro FPM PRP-026)	\$0.75
68103-009	O-Ring (75 Duro FPM PRP-009)	\$1.00
68103-012	O-Ring (75 Duro FPM PRP-012)	\$1.25
68103-016	O-Ring (75 Duro FPM PRP-016)	\$0.50
68103-018	O-Ring (75 Duro FPM PRP-018)	\$1.36
68103-025	O-Ring (75 Duro FPM PRP-025)	\$3.80
68103-026	O-Ring (75 Duro FPM PRP-026)	\$3.30
68103-252	O-Ring (75 Duro FPM PRP-252)	\$22.81
68106-906	O-Ring (75 Duro FPM Tube PRP-906)	\$1.00
68106-910	O-Ring (75 Duro FPM Tube PRP-910)	\$2.22
68106-912	O-Ring (75 Duro FPM Tube PRP-912)	\$3.45
68109-009	O-Ring (90 Duro FPM PRP-009)	\$1.25
68109-011	O-Ring (90 Duro FPM PRP-011)	\$1.04
68109-012	O-Ring (90 Duro FPM PRP-012)	\$2.20

Parts Prices

Effective 6.96

Part Number	Description	List (\$) Each
68109-114	O-Ring (90 Duro FPM PRP-114)	\$2.47
68109-215	O-Ring (90 Duro FPM PRP-215)	\$5.90
69115-040	Dowel Pin (M8 x 16 DIN 7)	\$1.25
69116-019	Pin (M4 x 24 DIN 6325)	\$1.00
71128-006	Snap Ring (M62 x 2 DIN 472)	\$2.47
71128-015	Snap Ring (M16 x 1 DIN 472)	\$0.50
71128-018	Snap Ring (M8 x 0.8 DIN 472)	\$0.25
76122-006	Plug (9/16-18)	\$1.66
76122-010	Plug (7/8-14)	\$4.68
76122-012	Plug (1 1/16-12)	\$9.32
HU00003164	Retaining Plate	\$46.92
HU00085812	Circlip	\$0.78
HU00087079	Shim (M50 x 62 x 3.0 DIN 988)	\$3.60
HU00087953	Square-Ring (M22 x 1.5 DIN 34110)	\$5.10
HU00275112	Drive Shaft Bearing Assembly (S Code)	\$1,365.50
HU00400262	Shuttle Orifice (.26 mm \varnothing , Number 3)	\$38.28
HU00400263	Orifice Seat - Inner	\$11.40
HU00400264	Orifice Seat - Outer	\$11.40
HU00410142	Shuttle Orifice (.56 mm \varnothing , Number 6)	\$22.56
HU00410278	Shuttle Orifice (.69 mm \varnothing , Number 8)	\$32.28
HU00410814	Shuttle Orifice (.47 mm \varnothing , Number 5)	\$20.04
HU00411019	Shuttle Orifice (.39 mm \varnothing , Number 4)	\$23.40
HU00412246	Control Bushing	\$249.00
HU00412266	Control Spool	\$208.92
HU00414967	Spring Retainer	\$22.20
HU00415161	Plug	\$18.96
HU00417111	Plug	\$9.12
HU00417112	Spring Retainer	\$5.10
HU00417113	Spring	\$1.32
HU00417118	Shuttle Orifice (.26 mm \varnothing , Number 3)	\$32.04
HU00417322	Control Bushing	\$257.16
HU00417323	Control Spool	\$99.48
HU00417512	Control Bushing	\$246.36
HU00417846	Plug	\$7.92
HU00417848	Spring	\$3.48
HU00419695	Flushing Orifice (1.4 mm \varnothing , 5 L/Min.)	\$4.14
HU00419696	Flushing Orifice (1.8 mm \varnothing , 8 L/Min.)	\$4.44
HU00419697	Flushing Orifice (2.0 mm \varnothing , 10 L/Min.)	\$7.32
HU00421290	Barrel	\$1,001.52
HU00421516	Spring Retainer	\$103.32
HU00422894	Check Valve Housing	\$30.00

Parts Prices

Effective 6.96

Part Number	Description	List (\$) Each
HU00422940	Lens Pin	\$32.28
HU00425867	Shuttle Orifice (.39 mm ø, Number 4)	\$33.36
HU00425868	Shuttle Orifice (.47 mm ø, Number 5)	\$79.20
HU00425869	Shuttle Orifice (.56 mm ø, Number 6)	\$79.20
HU00425870	Shuttle Orifice (.69 mm ø, Number 8)	\$79.20
HU00426136	Spring Retainer	\$6.70
HU00426138	Spring Retainer	\$7.60
HU00426662	Poppet	\$9.72
HU00430234	Poppet	\$145.68
HU00430747	Control Spool	\$41.76
HU00430748	Control Spool	\$24.00
HU00432802	Spring	\$1.56
HU00432813	Spring	\$3.20
HU00433953	EZ1 Control Kit	\$1,068.90
HU00433954	EZ2 Control Kit	\$1,068.90
HU00436459	Spring	\$1.56
HU00437278	HZ1 Control Kit	\$999.95
HU00443335	Pistons	\$109.80
HU00444549	Spring	\$5.28
HU00445041	Piston	\$51.60
HU00445056	Threaded Pin	\$5.30
HU00603818	EP1 Control Kit	\$1,085.35
HU00603819	EP2 Control Kit	\$1,085.35
HU00603839	Stroking Piston Cover (without Flushing)	\$149.44
HU00603845	Stroking Piston Cover (with Flushing)	\$407.61
HU00603867	HD2 Control Kit	\$999.95
HU00603897	HD1 Control Kit	\$999.95
HU00603991	Hydraulic Rotary Group	\$1,258.80
HU00604149	Rotary Group	\$2,098.00
HU00605233	HA2 Control Kit	\$999.95
HU00605660	HA1T Control Kit	\$999.95
HU00605779	HA1 Control Kit	\$999.95
HU00610027	HA2T Control Kit	\$999.95
HU00651116	Spring	\$4.86
HU00651118	Spring Bushing	\$108.60
HU00651766	Flushing Orifice (1.2 mm) (3.5 L/Min.)	\$7.00
HU00831104	Torx Head Screw	\$0.78
HU00831890	Piston Rings	\$7.56
HU00921135	Spring	\$9.00
HU00921339	Spring Retainer	\$17.76
HU00921351	Spring Retainer	\$31.00

Parts Prices

Effective 6.96

Part Number	Description	List (\$) Each
HU00921419	Spring	\$1.20
HU00921420	Spring	\$1.40
HU00921421	Spring	\$7.20
HU00921439	Stroking Piston	\$76.90
HU00921560	Stroking Piston Cover	\$113.52
HU00921745	Preload Shim (3.5 mm)	\$6.70
HU00921746	Preload Shim (3.6 mm)	\$5.80
HU00921747	Preload Shim (3.7 mm)	\$5.80
HU00921748	Preload Shim (3.8 mm)	\$5.80
HU00921749	Preload Shim (3.9 mm)	\$5.80
HU00921750	Preload Shim (4.0 mm)	\$5.80
HU00921751	Center Pin	\$135.70
HU00921752	Spring	\$2.20
HU00921786	Control Lens	\$370.68
HU00921793	Spring	\$3.20
HU00921863	Housing	\$840.24
HU00921942	Control Spool	\$178.90

Equivalent Part Numbers

Wooster	Brueninghaus	Hydromatik	Lohr	Sigma
5000-076-026		HU00831179		
5400-085-002	BH00525375	HU00085290		
5406-580-001	BH00577626	HU00428266		
5406-580-002	BH00574686	HU00428265		
5604-080-001	BH00825018	HU00441694		
5604-080-002		HU00441693		
60118-027	BH00576107	HU00086070	RR00006890	S11180709
60118-062	BH00109347	HU00083025	RR00003025	S10076609
60118-063	BH00109355	HU00083026	RR00003026	S10597709
60118-118	BH00109673	HU00083068	RR00003075	S10347709
60118-340		HU00157715	RR00008132	
60119-085	BH00126608	HU00831514	RR00003212	S90025609
60134-002	BH00749559	HU00154690		
60134-003	BH00977667	HU00153779		
60134-004	BH00749532	HU00154058		
60134-122	BH00800626	HU00156717		
60137-001	BH00977209	HU00083488	RR00007368	S00736888
60137-012		HU00152427		
60140-035	BH00126438	HU00831591		
60140-046	BH00299723	HU00083197		
65110-001	BH00387436	HU00152426		S11223309
65110-003	BH00529036	HU00152425		
68101-026	BH00671959	HU00083743	RR00008892	S11142109
68103-009	BH00971118	HU00156527	RR00015131	S11281309
68103-012	BH00514098	HU00084408	RR00009097	S00909788
68103-016	BH00525618	HU00087945	RR00009193	S11076309
68103-018	BH00802520	HU00085551	RR00002910	S11061809
68103-025		HU00157562		S11261109
68103-026	BH00756601	HU00085556	RR00008893	S00889388
68103-252	BH00854131	HU00086635		
68106-906		HU00153837		
68106-910	BH00824747	HU00153863		
68106-912	BH00967351	HU00157665		
68109-009	BH00930806	HU00830726		
68109-011	BH00514497	HU00085577		
68109-012	BH00593168	HU00086487		
68109-114	BH00302139	HU00087891		

Equivalent Part Numbers

Wooster	Brueninghaus	Hydromatik	Lohr	Sigma
68109-215		HU00151882		
69115-040	BH00513954	HU00084174	RR00007941	
69116-019	BH00439266	HU00087756		S11292909
71128-006	BH00106038	HU00083408	RR00005384	
71128-015	BH00114995	HU00083381	RR00013771	S03702509
71128-018	BH00800550	HU00153012	RR00007042	
76122-006	BH00921254	HU00157039		S11133909
76122-010	BH00967343	HU00157038	RR00007769	S00776988
76122-012	BH00976351	HU00831665		

Variable Motor AA6VM Series 63

Specifications, descriptions, and illustrative material shown herein were as accurate as known at the time this publication was printed. Rexroth reserves the right to discontinue models or options at any time or to change specifications, materials, or designs without notice and without incurring obligation.

DISTRIBUTED BY: