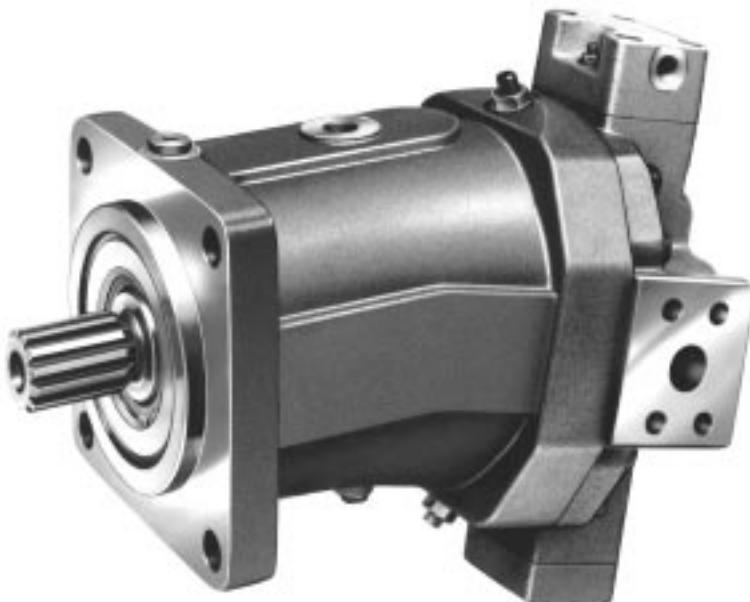


**MANNESMANN  
REXROTH**

Mobile Division

**E**

**Service Parts List**



**AA6VM**

Series 63  
Size 80

RA 91604-03-E  
06.96

## Ordering of AA6VM Parts

For Rexroth to supply the correct parts for your unit, please include all of the following information with your parts order.

TYPE CODE  
TYPE NUMBER  
SERIAL NUMBER  
PART NUMBER  
PART NAME

Due to modifications and improvements to our products, minor changes can occur to the parts, even though the type code may not necessarily reflect these changes. The type number and serial number will guarantee that the correct parts for your unit are supplied.

<b>HYDROMATIK GMBH ULM (DONAU)</b>		
<b>THE REXROTH CORP., WOOSTER, OHIO</b>		
<b>TYPE</b>		
AA6VM55HD1/63W-VSD520B		
<b>NO</b>		
262.20.63.10		
<b>SERIAL NO.</b>	<b>YEAR</b>	<b>MINERAL OIL</b>
1127809	10.95	OIL
<b>MADE IN GERMANY</b>		
<b>ROTATION</b>		

### ORDERING EXAMPLE

To order a replacement port block for an AA6VM hydrostatic transmission motor having the above nameplate, the following information would be required.

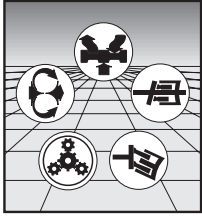
+ Type Code	AA6VM55HD1/63W-VSD520B
+ Type Number	262.20.63.10
+ Serial Number	1127809
* Part Number	5620-430-019
* Part Name	Port Block

+ This information is taken from the nameplate on the motor.

\* This information is taken from the Service Parts List.

Rotary Group.....	Page 8-9
Hydraulic Rotary Group .....	10-11
Port Block .....	12-13
HD1 Control.....	14-15
HD2 Control.....	16-17
EP1 Control.....	18-19
EP2 Control.....	20-21
HA1 Control.....	22-23
HA2 Control.....	24-25
HA1T Control.....	26-27
HA2T Control.....	28-29
HZ1 Control.....	30-31
EZ1 Control.....	32-33
EZ2 Control.....	34-35
Check Valve.....	36-37
Plug Kit.....	38-39
Shuttle Orifice Assembly.....	40-41
Stroking Piston Cover with Flushing.....	42-43
Stroking Piston Cover without Flushing.....	44-45
Parts Pricing.....	46-49
Parts Cross Reference.....	50-51





# REXROTH CORPORATION

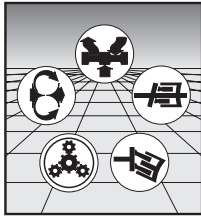
## MOBILE HYDRAULICS DIVISION

Assembly Number  
**AA6VM80**

Item	Description	Qty	Part Number	
1	Rotary Group	1	HU00604150	
2	Rear Cover Assembly	1	5630-430-007	
3	HD1 Control Kit		HU00603923	
3	HD2 Control Kit		HU00603869	
3	EP1 Control Kit		HU00603822	
3	EP2 Control Kit		HU00603823	
3	HA1 Control Kit		HU00605779	
3	HA2 Control Kit		HU02000133	
3	HA1T Control Kit		HU00605660	
3	HA2T Control Kit		HU00610057	
3	HZ1 Control Kit		HU00437278	
3	EZ1 Control Kit		HU00433953	
3	EZ2 Control Kit		HU00433954	
4	Check Valve Kit		5600-635-011	
4	Plug Kit		5600-635-020	
5	Shuttle Orifice (.26 mm $\varnothing$ , Number 3)		HU00417118	<input type="checkbox"/> ▼
5	Shuttle Orifice (.26 mm $\varnothing$ , Number 3)		HU00400262	<input type="checkbox"/> ◐
5	Shuttle Orifice (.39 mm $\varnothing$ , Number 4)		HU00425867	<input type="checkbox"/> ▼
5	Shuttle Orifice (.39 mm $\varnothing$ , Number 4)		HU00411019	<input type="checkbox"/> ◐
5	Shuttle Orifice (.47 mm $\varnothing$ , Number 5)		HU00425868	<input type="checkbox"/> ▼
5	Shuttle Orifice (.47 mm $\varnothing$ , Number 5)		HU00410814	<input type="checkbox"/> ◐
5	Shuttle Orifice (.56 mm $\varnothing$ , Number 6)		HU00425869	<input type="checkbox"/> ▼
5	Shuttle Orifice (.56 mm $\varnothing$ , Number 6)		HU00410142	<input type="checkbox"/> ◐
5	Shuttle Orifice (.69 mm $\varnothing$ , Number 8)		HU00425870	<input type="checkbox"/> ▼
5	Shuttle Orifice (.69 mm $\varnothing$ , Number 8)		HU00410278	<input type="checkbox"/> ◐

- Choose the correct shuttle orifice to change motor swivel time.
- ▼ Indicates single cone shuttle orifice. See page 41 for shuttle orientation.
- ◐ Indicates double cone shuttle orifice. See page 40 for shuttle location.

*Parts list continued on pages 6 .*



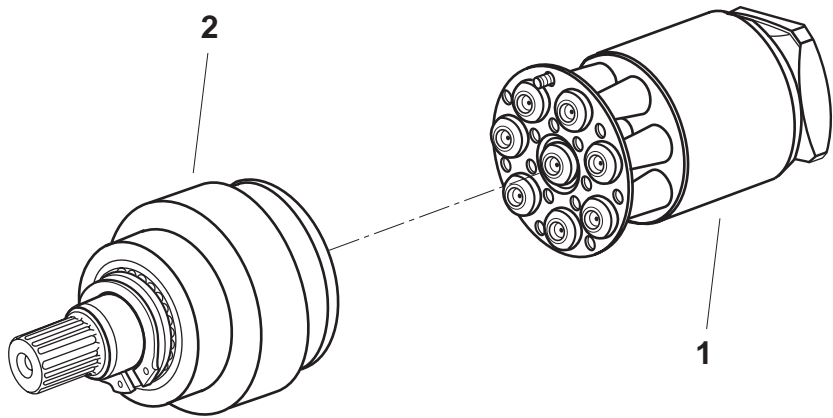
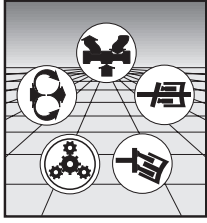
# REXROTH CORPORATION MOBILE HYDRAULICS DIVISION

Assembly Number  
**AA6VM80**

Item	Description	Qty	Part Number	
6	Stroking Piston Cover (with Flushing)	1	HU00603847	
6	Stroking Piston Cover (without Flushing)	1	HU00603766	
7	Plug (7/8-14)	1	76122-010	
7a	O-Ring (75 Duro FPM Tube PRP-910)	1	68106-910	*▲
8	Disp. Stop Screw (M12 x 70)	0	60134-011	●
8	Disp. Stop Screw (M12 x 80)	0	60134-007	●
8	Disp. Stop Screw (M12 x 90)	0	60134-008	●
8	Disp. Stop Screw (M12 x 100)	0	60134-009	●
9	Seal Nut (M12)	2	65110-002	*
10	Orifice Seat - Outer	1	HU00400264	
11	Orifice Seat - Inner	1	HU00400263	
12	Housing	1	HU00922141	
13	Plug (1 1/16-12)	1	76122-012	
13a	O-Ring (75 Duro FPM Tube PRP-912)	1	68106-912	*■
15	O-Ring (75 Duro FPM PRP-258)	1	68103-258	*
18	Snap Ring (M72 x 2.5 DIN 472)	1	71128-054	
21	Shaft Seal (50 x 72 x 7-FPM)	1	5000-076-010	*
22	Shim (M56 x 72 x 3.0 DIN 988)	1	HU00087188	
23	Flushing Orifice (1.2 mm ø, 3.5 L/Min.)		HU00651766	◆
23	Flushing Orifice (1.4 mm ø, 5 L/Min.)		HU00419695	◆
23	Flushing Orifice (1.8 mm ø, 8 L/Min.)		HU00419696	◆
23	Flushing Orifice (2.0 mm ø, 10 L/Min.)		HU00419697	◆
23	Flushing Orifice (2.4 mm ø, 14 L/Min.)		HU00444361	◆

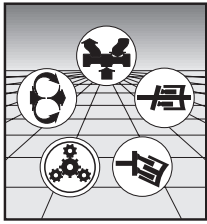
- \* Contained in Seal Kit 5630-635-007
- ▲ Included with 76122-010
- Included with 76122-012
- Select Stop Screws for required motor displacement. (per RA 91604-S)
- ◆ Select Orifice for required flushing flow.

**Notes**



Assembly Number  
**HU00604150**



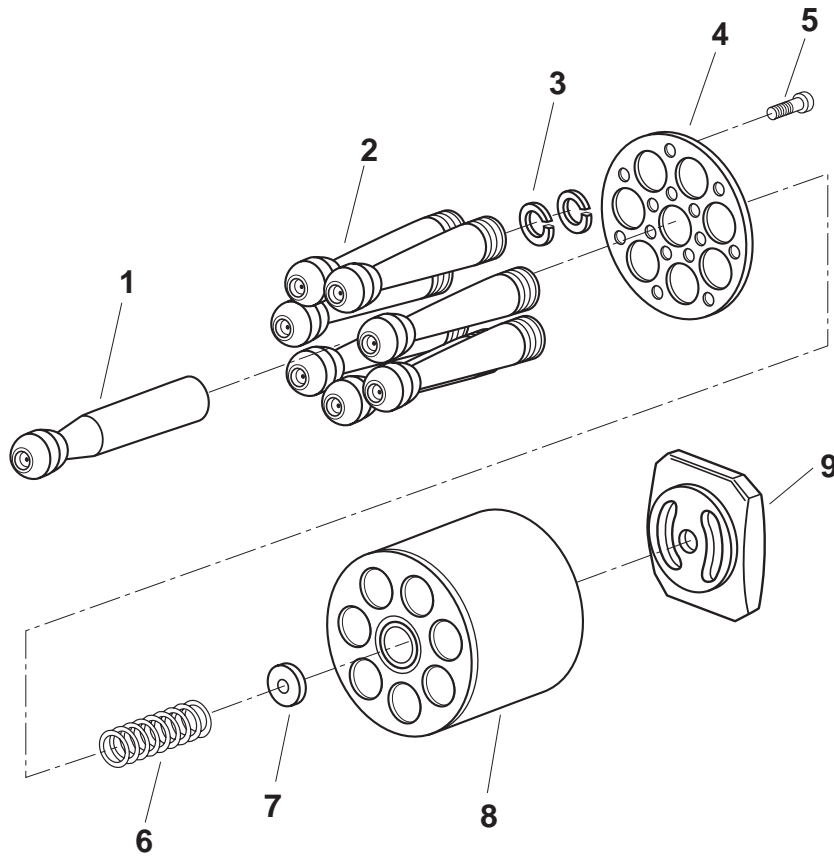
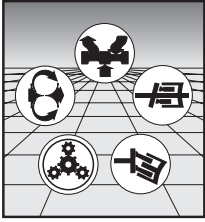


# REXROTH CORPORATION

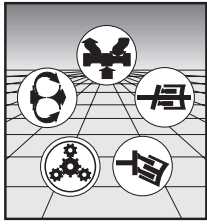
## MOBILE HYDRAULICS DIVISION

Assembly Number  
**HU00604150**

Item	Description	Qty	Part Number	
1	Hydraulic Rotary Group	1	HU00603779	
2	Drive Shaft Bearing Assembly (S Code)	1	HU02000065	



Assembly Number  
**HU00603779**



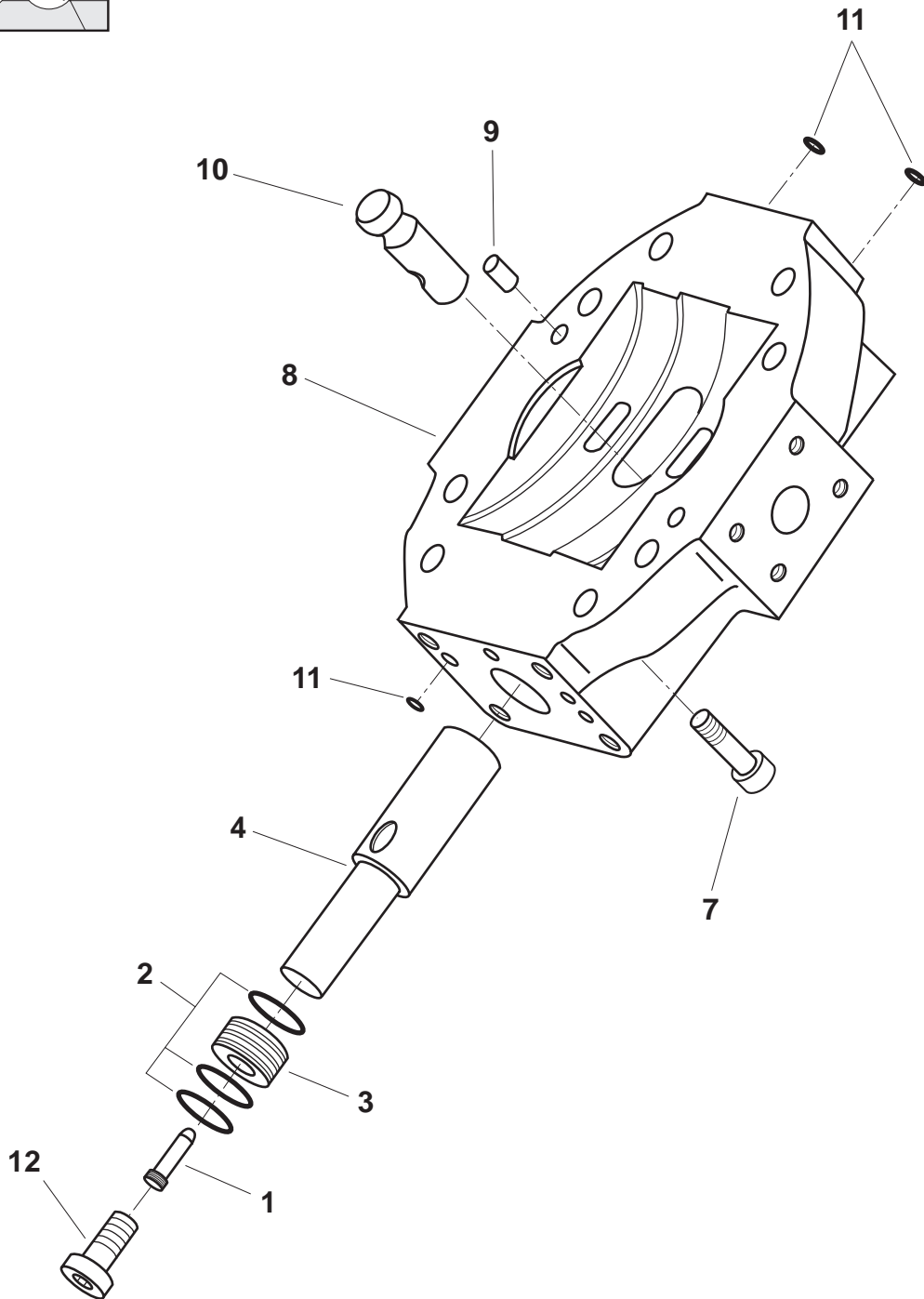
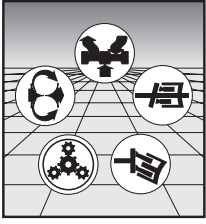
# REXROTH CORPORATION

## MOBILE HYDRAULICS DIVISION

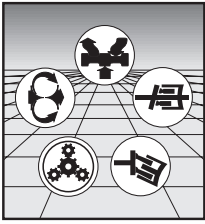
Assembly Number  
**HU00603779**

Item	Description	Qty	Part Number	
1	Center Pin	1	HU00921508	
2	Pistons	7	HU00443336	
3	Piston Rings	14	HU00831893	
4	Retaining Plate	1	HU00062847	
5	Torx Head Screw	14	HU00831106	
6	Pressure Spring	1	HU00921507	▲
7	Preload Shim (3.5 mm)	1	HU00921526	▲
7	Preload Shim (3.6 mm)	0	HU00921527	▲
7	Preload Shim (3.7 mm)	0	HU00921528	▲
7	Preload Shim (3.8 mm)	0	HU00921529	▲
7	Preload Shim (3.9 mm)	0	HU00921530	▲
7	Preload Shim (4.0 mm)	0	HU00921534	▲
8	Barrel	1	HU00421289	
9	Control Lens	1	HU00921787	

▲ Choose the correct Preload Shim to set Rotary Group preload.



Assembly Number  
**5630-430-007**



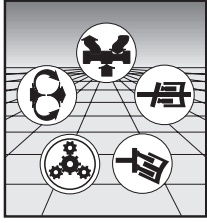
# REXROTH CORPORATION

## MOBILE HYDRAULICS DIVISION

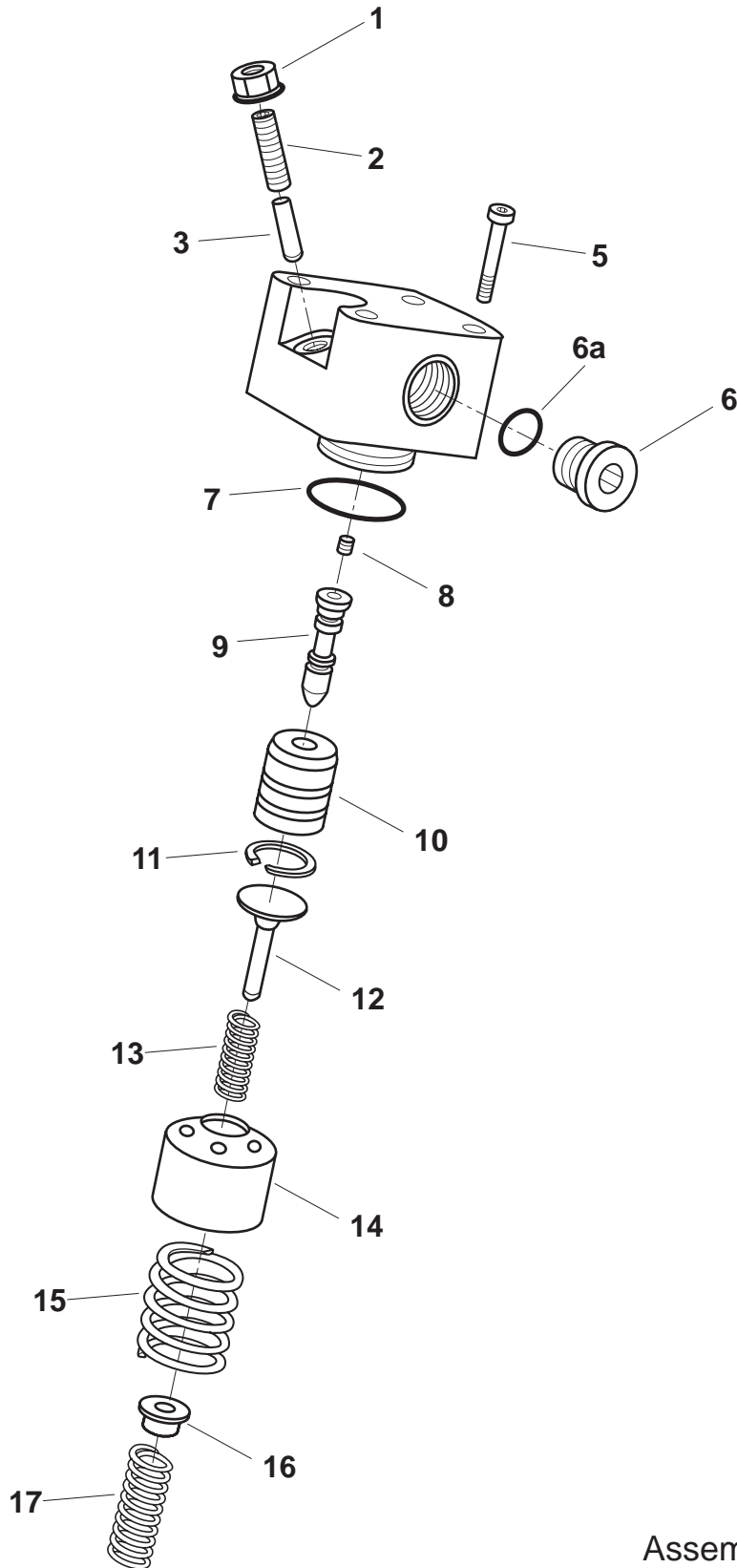
Assembly Number  
**5630-430-007**

Item	Description	Qty	Part Number	
1	Threaded Pin	1	HU00444969	
2	Square-Ring (M25 x 1.5 x 1.5 DIN 34110)	3	HU00831672	
3	Piston	1	HU00921442	
4	Stroking Pistion	1	HU00921438	
7	Cap Screw (M12 x 65 DIN 912-8.8)	8	60118-146	
8	Port Block (AA6VM 80/63)	1	5630-430-008	
9	Dowel Pin (M10 x 20 DIN 7)	2	69115-008	
10	Lens Pin	1	HU00422949	
11	O-Ring (90 Duro FPM PRP-011)	6	68109-011	*
12	Cap Screw (M12 x 25 DIN 6912-8.8)	1	60140-058	

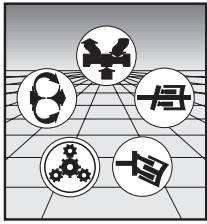
\* Contained in Seal Kit 5630-635-007



# HD1 Control



Assembly Number  
**HU00603923**



# REXROTH CORPORATION

## MOBILE HYDRAULICS DIVISION

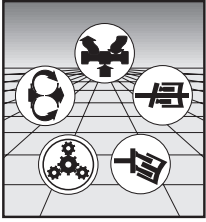
### HD1 Control

Assembly Number  
**HU00603923**

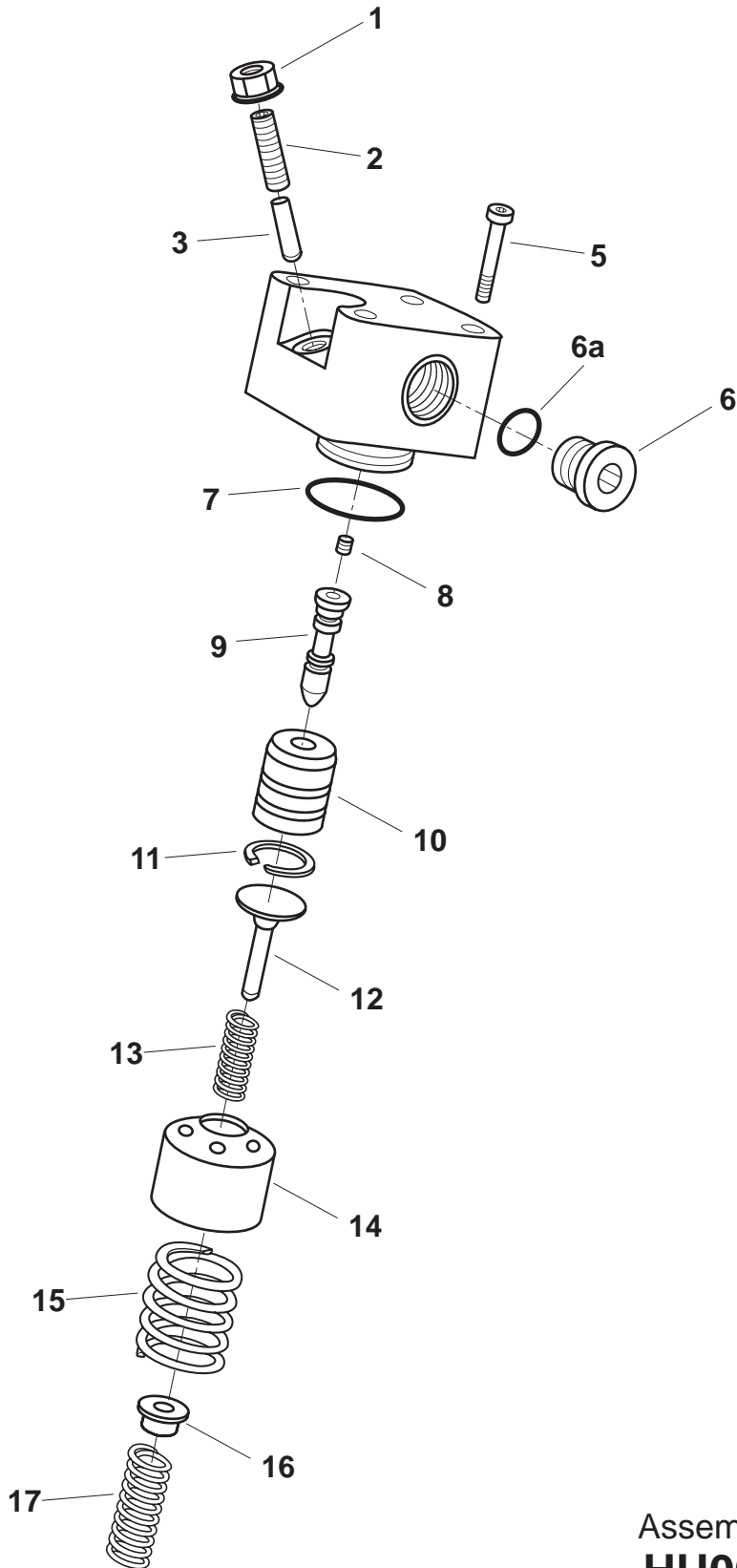
Item	Description	Qty	Part Number	
1	Seal Nut (M6)	1	65110-003	*
2	Adjusting Screw (M6 x 30 DIN 913-1.9)	1	60137-012	
3	Pin (M4 x 24 DIN 6325)	1	69116-019	
5	Cap Screw (M6 x 40 DIN 912-8.8)	4	60118-063	
6	Plug (9/16-18)	1	76122-006	
6a	O-Ring (75 Duro FPM Tube PRP-906)	1	68106-906	*●
7	O-Ring (75 Duro FPM PRP-025)	1	68103-025	*
8	Screw (M4 x 6 DIN 913-10.9)	1	60137-001	
9	Control Spool	1	HU00412266	
10	Control Bushing	1	HU00412246	
11	Snap Ring (M16 x 1 DIN 472)	1	71128-015	
12	Spring Retainer	1	HU00921351	
13	Spring	1	HU00921420	
14	Spring Bushing	1	HU00651118	
15	Spring	1	HU00651116	
16	Spring Retainer	1	HU00412316	
17	Spring	1	HU00436267	

\* Contained in Seal Kit 5630-635-007

● Included with 76122-006

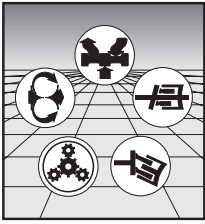


# HD2 Control



Assembly Number  
**HU00603869**





# REXROTH CORPORATION

## MOBILE HYDRAULICS DIVISION

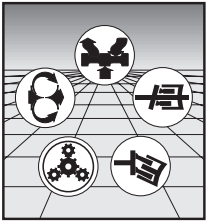
### HD2 Control

Assembly Number  
**HU00603869**

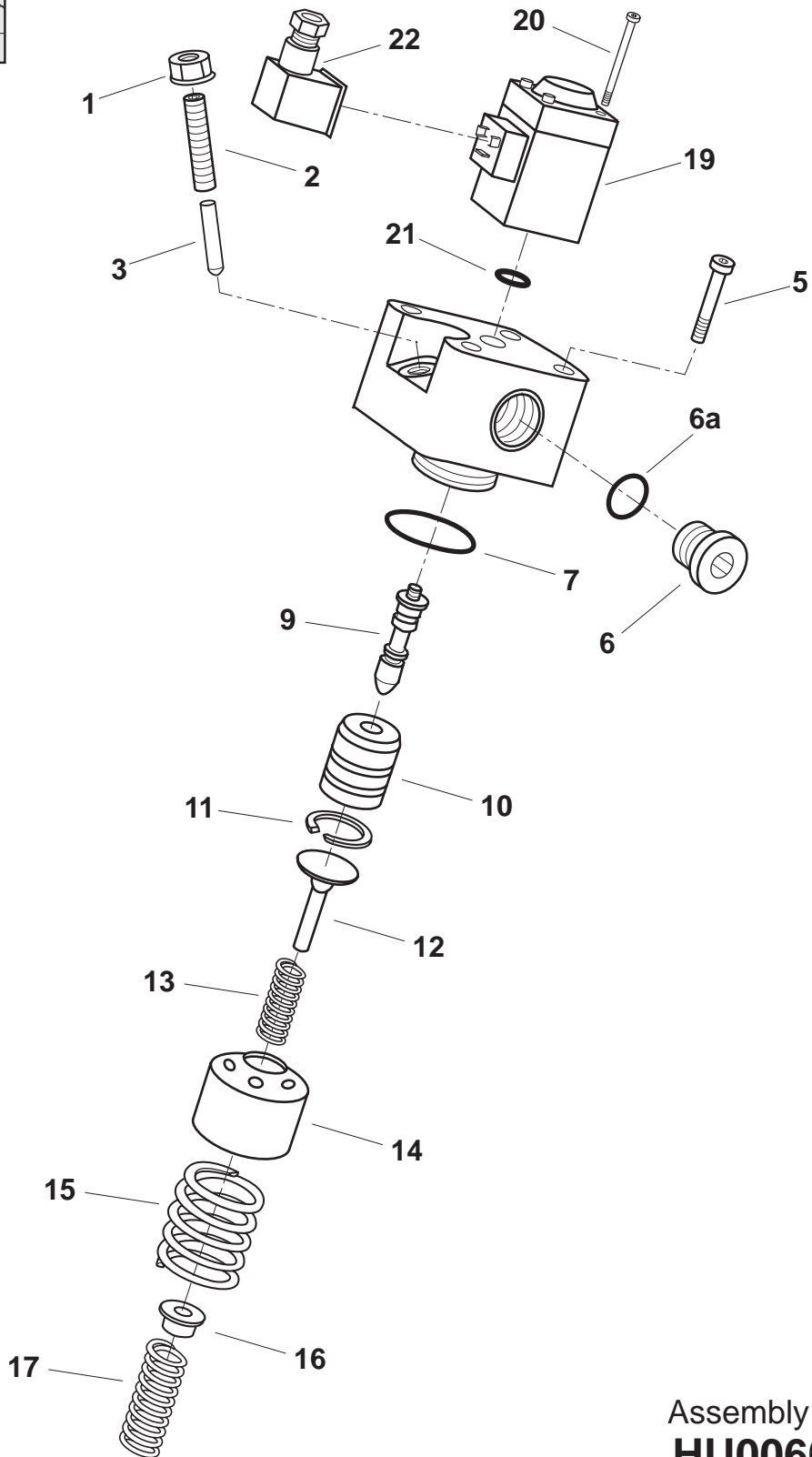
Item	Description	Qty	Part Number	
1	Seal Nut (M6)	1	65110-003	*
2	Adjusting Screw (M6 x 30 DIN 913-12.9)	1	60137-012	
3	Pin (M4 x 24 DIN 6325)	1	69116-019	
5	Cap Screw (M6 x 40 DIN 912-8.8)	4	60118-063	
6	Plug (9/16-18)	1	76122-006	
6a	O-Ring (75 Duro FPM Tube PRP-906)	1	68106-906	*●
7	O-Ring (75 Duro FPM PRP-025)	1	68103-025	*
8	Screw (M4 x 6 DIN 913-10.9)	1	60137-001	
9	Control Spool	1	HU00417323	
10	Control Bushing	1	HU00417322	
11	Snap Ring (M16 x 1 DIN 472)	1	71128-015	
12	Spring Retainer	1	HU00921351	
13	Spring	1	HU00921420	
14	Spring Bushing	1	HU00651118	
15	Spring	1	HU00651116	
16	Spring Retainer	1	HU00419926	
17	Spring	1	HU00921312	

\* Contained in Seal Kit 5630-635-007

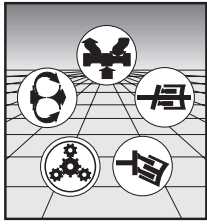
● Included with 76122-006



# EP1 Control



Assembly Number  
**HU00603822**



# REXROTH CORPORATION

## MOBILE HYDRAULICS DIVISION

### EP1 Control

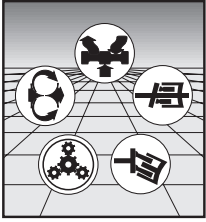
Assembly Number  
**HU00603822**

Item	Description	Qty	Part Number	
1	Seal Nut (M6)	1	65110-003	*
2	Adjusting Screw (M6 x 30 DIN 913-12.9)	1	60137-012	
3	Pin (4 x 24 DIN 6325)	1	69116-019	
5	Cap Screw (M6 x 35 DIN 912-8.8)	4	60118-062	
6	Plug (9/16-18)	1	76122-006	
6a	O-Ring (75 Duro FPM Tube PRP-906)	1	68106-906	*▲
7	O-Ring (75 Duro FPM PRP-025)	1	68103-025	*
9	Control Spool	1	HU00921942	
10	Control Bushing	1	HU00412246	
11	Snap Ring (M16 x 1 DIN 472)	1	71128-015	
12	Spring Retainer	1	HU00921351	
13	Spring	1	HU00921421	
14	Spring Bushing	1	HU00651118	
15	Spring	1	HU00651116	
16	Spring Retainer	1	HU00412316	
17	Spring	1	HU00436268	
19	Solenoid (12V Proportional)	1	5604-080-002	
20	Cap Screw (M4 x 50 DIN 912-8.8)	4	60118-027	□
21	O-Ring (75 Duro FPM PRP-018)	1	68103-018	*
22	Plug-Connector, Black	1	5400-085-002	

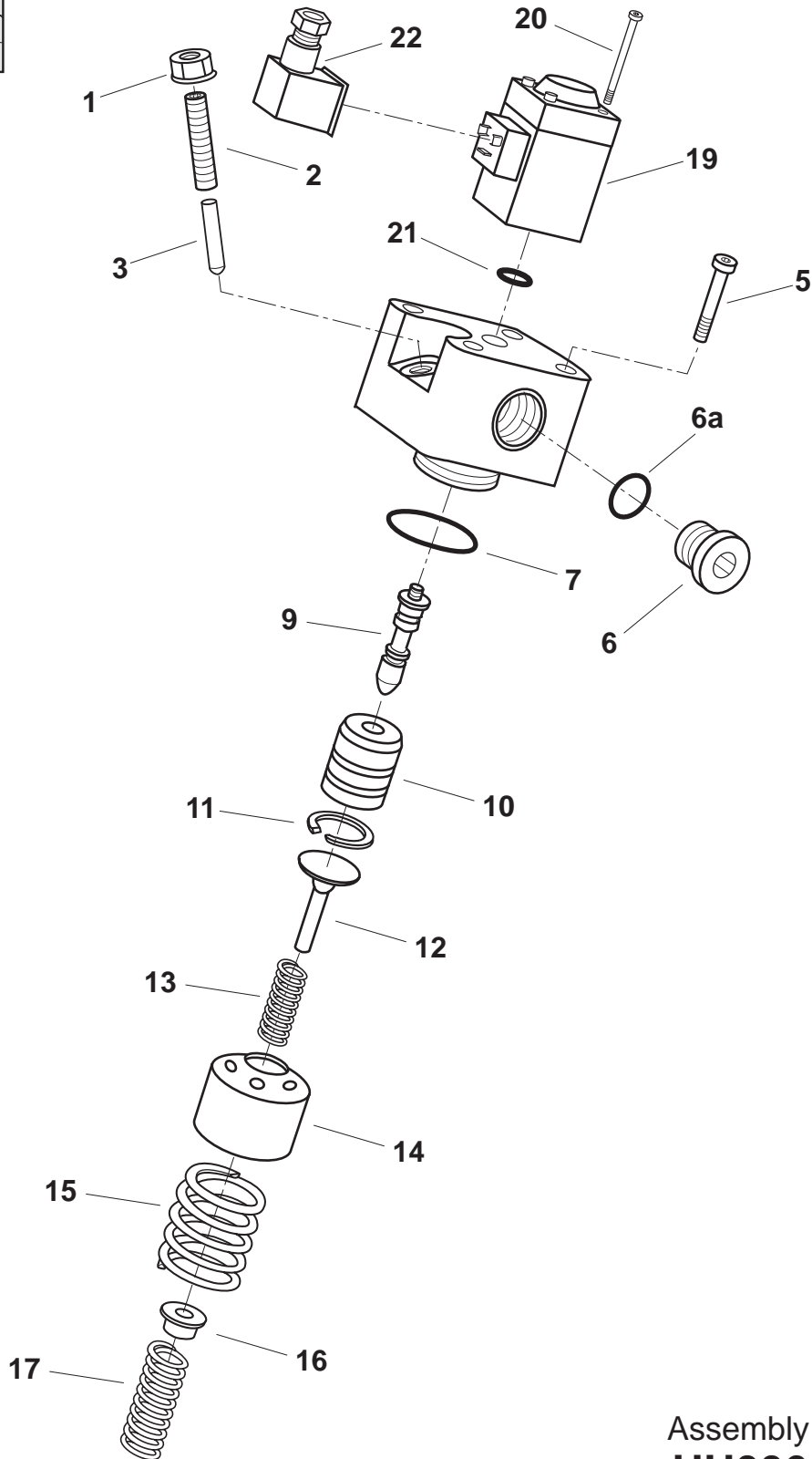
\* Contained in Seal Kit 5630-635-007

▲ Included with 76122-006

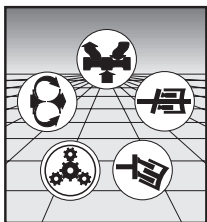
□ Included with 5604-080-002



# EP2 Control



Assembly Number  
**HU00603823**



# REXROTH CORPORATION

## MOBILE HYDRAULICS DIVISION

### EP2 Control

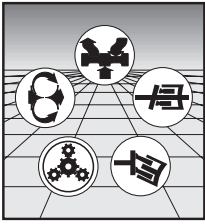
Assembly Number  
**HU00603823**

Item	Description	Qty	Part Number	
1	Seal Nut (M6)	1	65110-003	*
2	Adjusting Screw (M6 x 30 DIN 913-12.9)	1	60137-012	
3	Pin (4 x 24 DIN 6325)	1	69116-019	
5	Cap Screw (M6 x 35 DIN 912-8.8)	4	60118-062	
6	Plug (9/16-18)	1	76122-006	
6a	O-Ring (75 Duro FPM Tube PRP-906)	1	68106-906	*▲
7	O-Ring (75 Duro FPM PRP-025 )	1	68103-025	*
9	Control Spool	1	HU00921942	
10	Control Bushing	1	HU00412246	
11	Snap Ring (M16 x 1 DIN 472)	1	71128-015	
12	Spring Retainer	1	HU00921351	
13	Spring	1	HU00921421	
14	Spring Bushing	1	HU00651118	
15	Spring	1	HU00651116	
16	Spring Retainer	1	HU00412316	
17	Spring	1	HU00436268	
19	Solenoid (24V Proportional)	1	5604-080-001	
20	Cap Screw (M4 x 50 DIN 912-8.8)	4	60118-027	□
21	O-Ring (75 Duro FPM PRP-018)	1	68103-018	*
22	Plug-Connector, Black	1	5400-085-002	

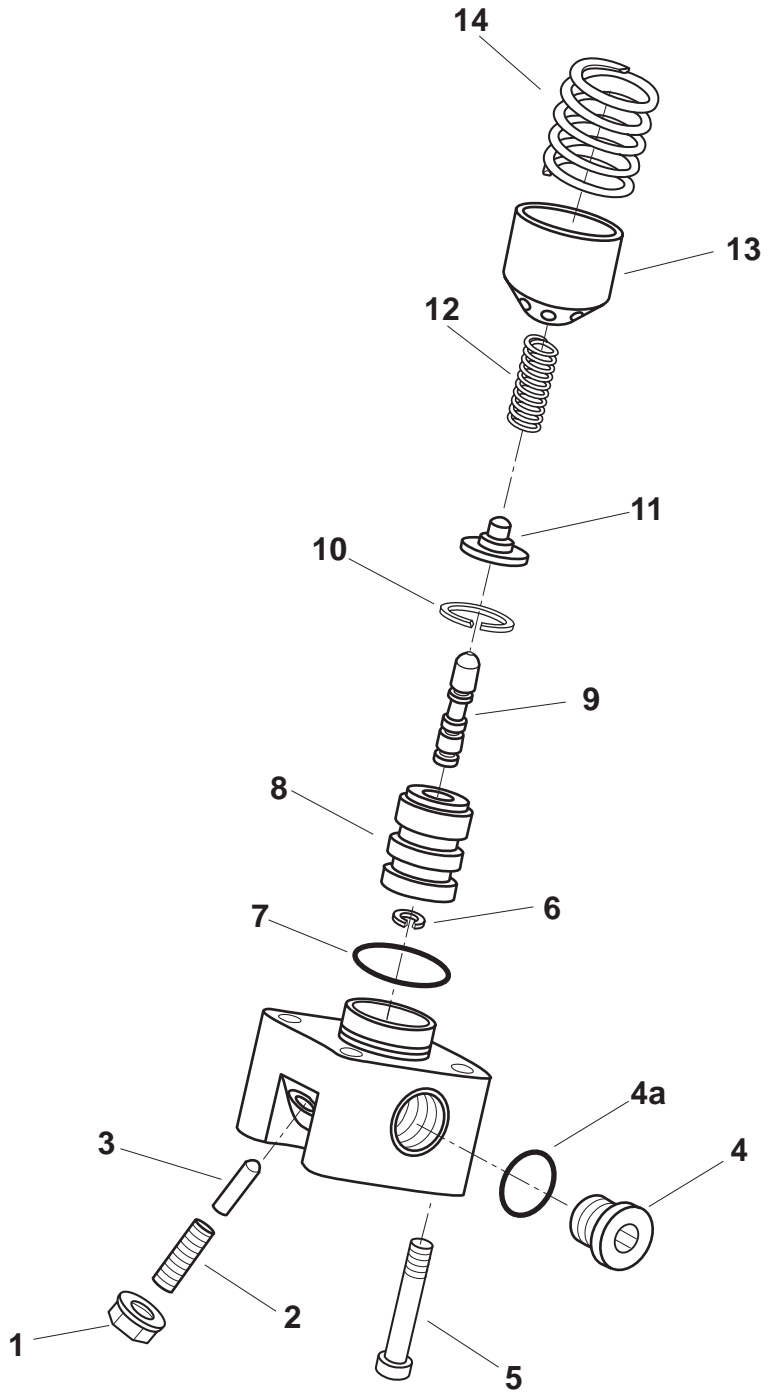
\* Contained in Seal Kit 5630-635-007

▲ Included with 76122-006

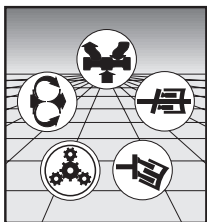
□ Included with 5604-080-001



# HA1 Control



Assembly Number  
**HU00605779**



# REXROTH CORPORATION

## MOBILE HYDRAULICS DIVISION

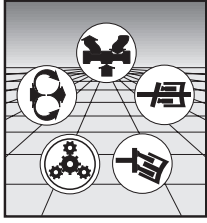
### HA1 Control

Assembly Number  
**HU00605779**

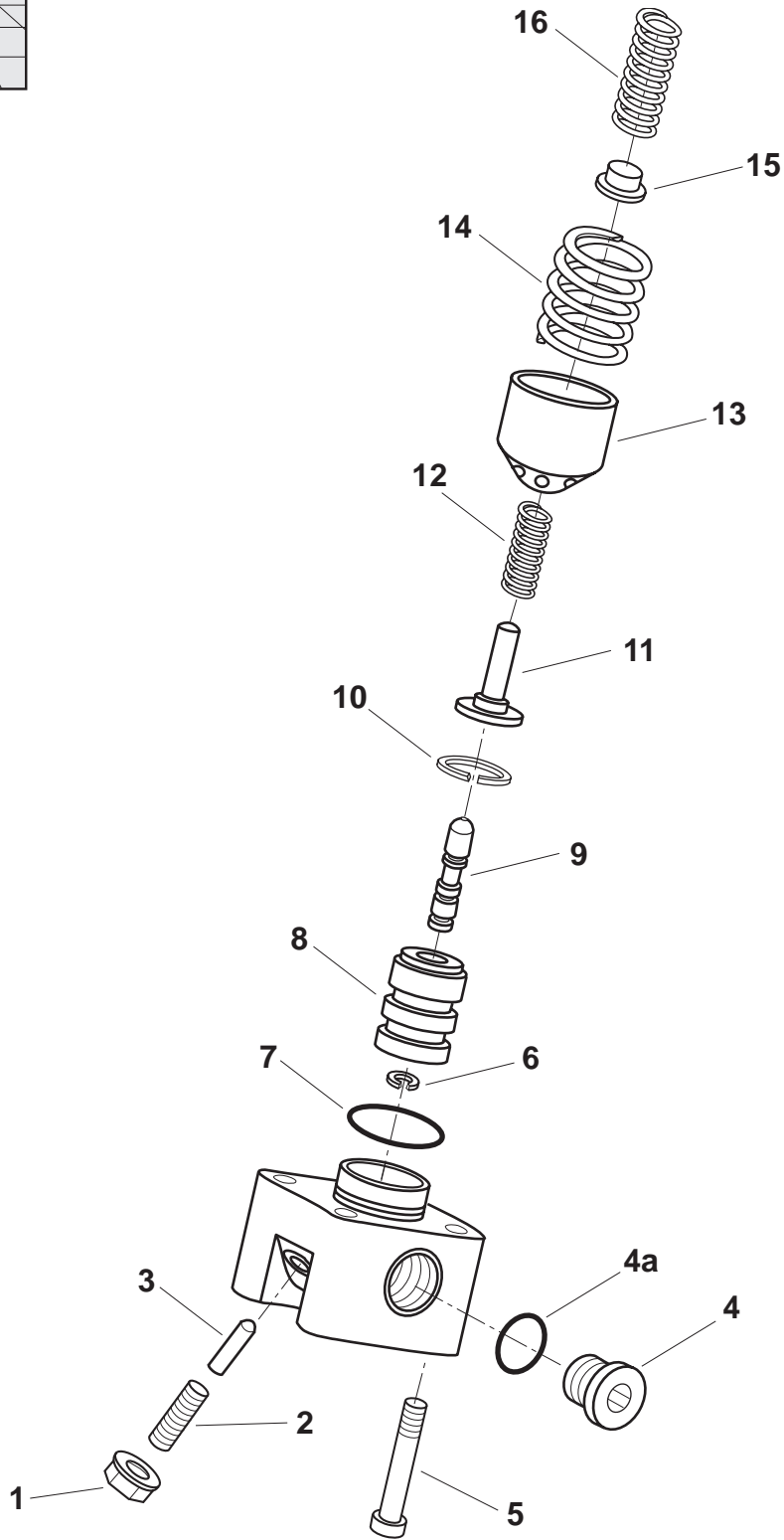
Item	Description	Qty	Part Number	
1	Seal Nut (M6)	1	65110-003	*
2	Adjusting Screw (M6 x 30 DIN 913-12.9)	1	60137-012	
3	Pin (M4 x 24 DIN 6325)	1	69116-019	
4	Plug (9/16-18)	1	76122-006	
4a	O-Ring (75 Duro FPM Tube PRP-906)	1	68106-906	*▲
5	Cap Screw (M6 x 40 DIN 912-8.8)	4	60118-063	
6	Circlip	1	HU00085812	
7	O-Ring (75 Duro FPM PRP-025)	1	68103-025	*
8	Control Bushing	1	HU00417512	
9	Control Spool	1	HU00430747	
10	Snap Ring (M16 x 1 DIN 472)	1	71128-015	
11	Spring Retainer	1	HU00921339	
12	Spring	1	HU00921419	
13	Spring Bushing	1	HU00651118	
14	Spring	1	HU00651116	

\* Contained in Seal Kit 5630-635-007

▲ Included with 76122-006

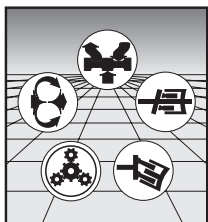


# HA2 Control



Assembly Number  
**HU02000133**





# REXROTH CORPORATION

## MOBILE HYDRAULICS DIVISION

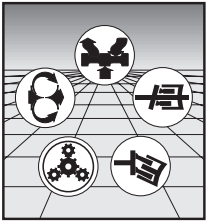
### HA2 Control

Assembly Number  
**HU02000133**

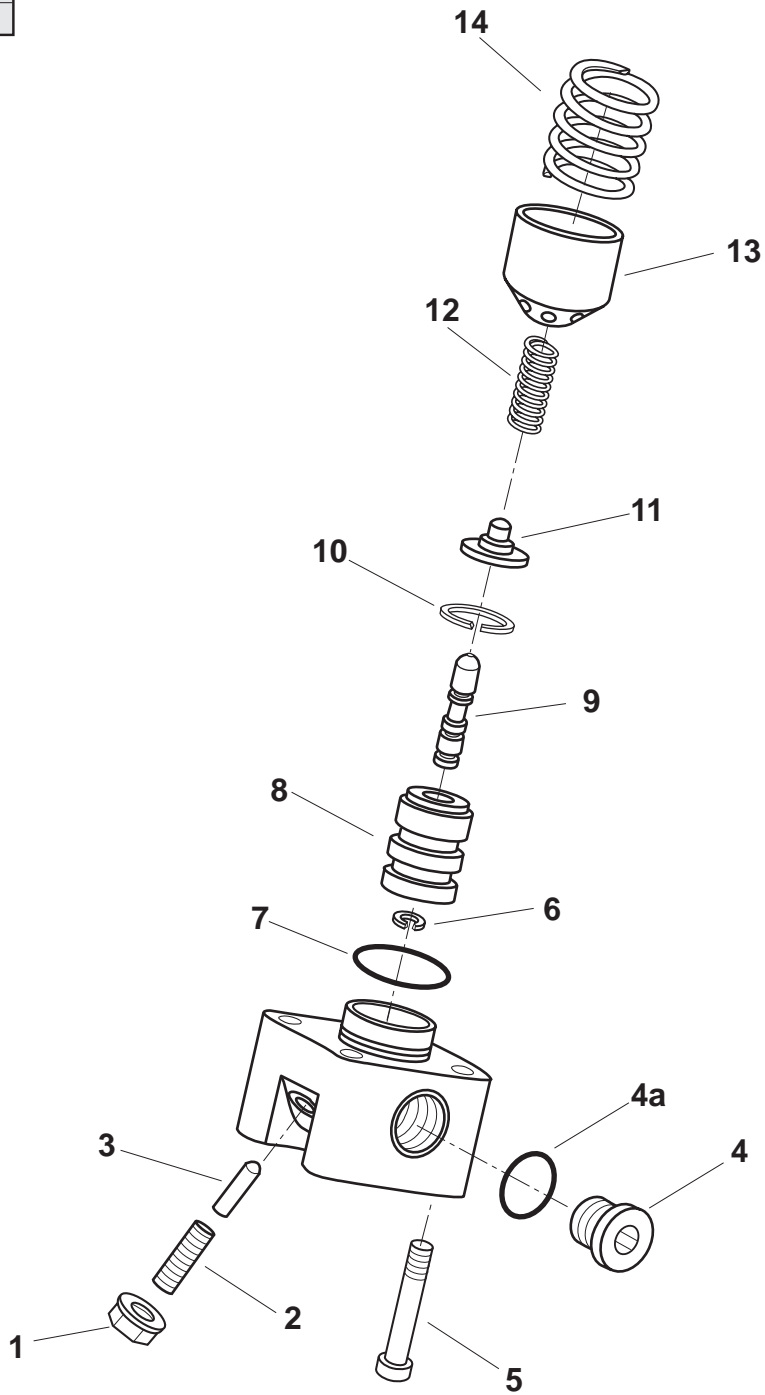
Item	Description	Qty	Part Number	
1	Seal Nut (M6)	1	65110-003	*
2	Adjusting Screw (M6 x 30 DIN 913-12.9)	1	60137-012	
3	Pin (M4 x 24 DIN 6325)	1	69116-019	
4	Plug (9/16-18)	2	76122-006	
4a	O-Ring (75 Duro FPM Tube PRP-906)	2	68106-906	*▲
5	Cap Screw (M6 x 40 DIN 912-8.8)	4	60118-063	
6	Circlip	1	HU00085812	
7	O-Ring (75 Duro FPM PRP-025)	1	68103-025	*
8	Control Bushing	1	HU00417512	
9	Control Spool	1	HU00430747	
10	Snap Ring (M16 x 1 DIN 472)	1	71128-015	
11	Spring Retainer	1	HU00921351	
12	Spring	1	HU00921419	
13	Spring Bushing	1	HU00651118	
14	Spring	1	HU00651116	
15	Spring Retainer	1	HU00412316	
16	Spring	1	HU00436269	

\* Contained in Seal Kit 5630-635-007

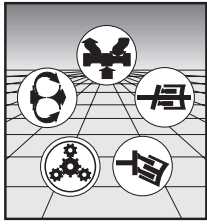
▲ Included with 76122-006



# HA1T Control



Assembly Number  
**HU00605660**



# REXROTH CORPORATION

## MOBILE HYDRAULICS DIVISION

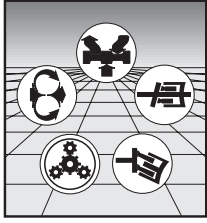
### HA1T Control

Assembly Number  
**HU00605660**

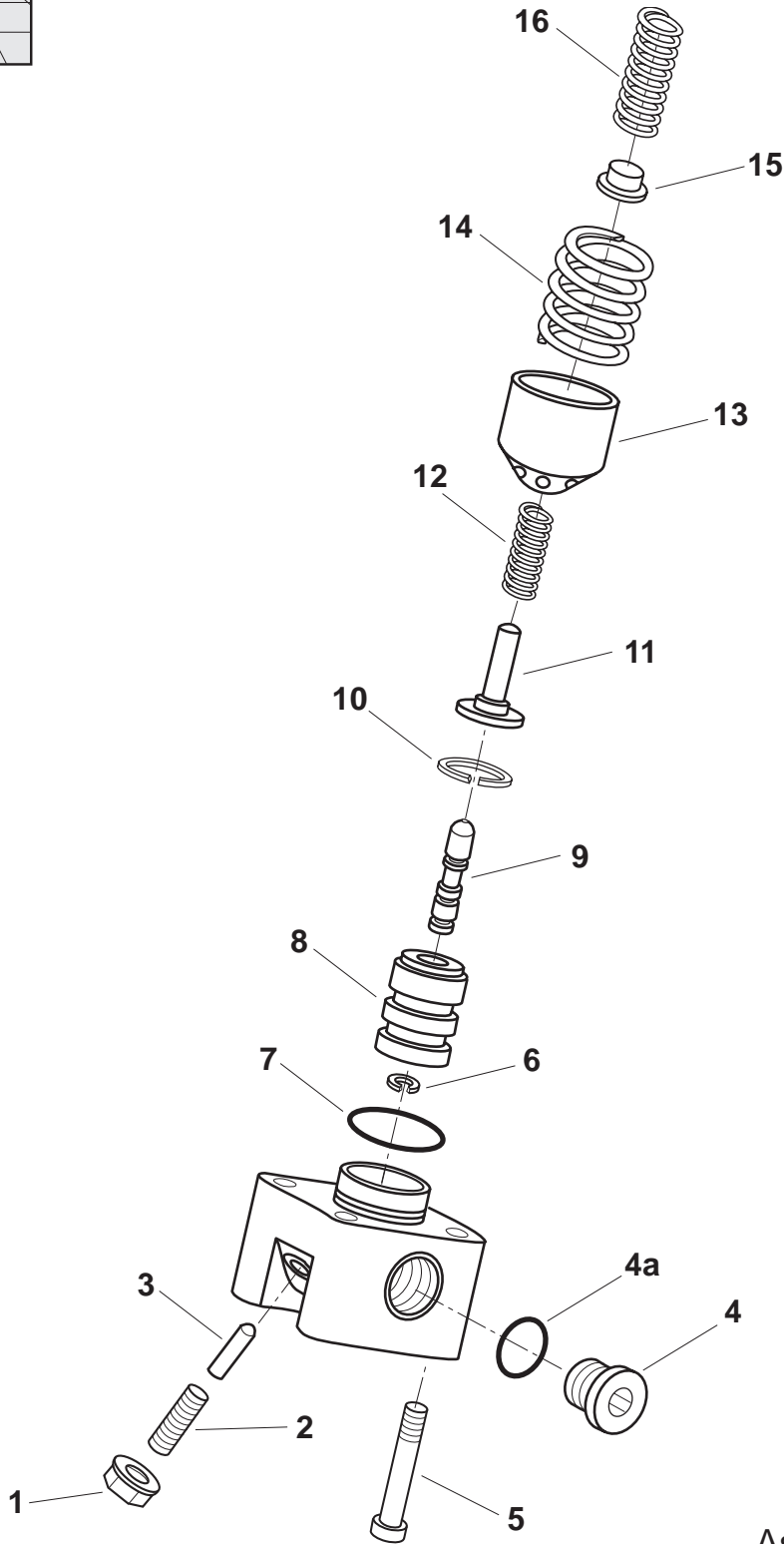
Item	Description	Qty	Part Number	
1	Seal Nut (M6)	1	65110-003	*
2	Adjusting Screw (M6 x 30 DIN 913-12.9)	1	60137-012	
3	Pin (M4 x 24 DIN 6325)	1	69116-019	
4	Plug (9/16-18)	1	76122-006	
4a	O-Ring (75 Duro FPM Tube PRP-906)	1	68106-906	*▲
5	Cap Screw (M6 x 40 DIN 912-8.8)	4	60118-063	
6	Circlip	1	HU00085812	
7	O-Ring (75 Duro FPM PRP-025)	1	68103-025	*
8	Control Bushing	1	HU00417512	
9	Control Spool	1	HU00430748	
10	Snap Ring (M16 x 1 DIN 472)	1	71128-015	
11	Spring Retainer	1	HU00921339	
12	Spring	1	HU00921419	
13	Spring Bushing	1	HU00651118	
14	Spring	1	HU00651116	

\* Contained in Seal Kit 5630-635-007

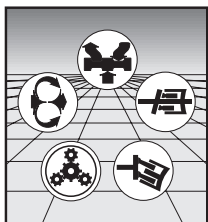
▲ Included with 76122-006



# HA2T Control



Assembly Number  
**HU00610057**



# REXROTH CORPORATION

## MOBILE HYDRAULICS DIVISION

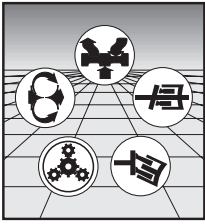
### HA2T Control

Assembly Number  
**HU00610057**

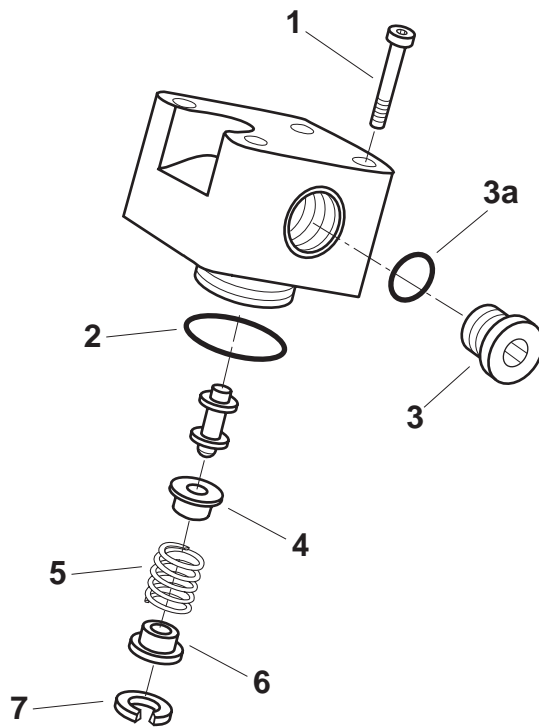
Item	Description	Qty	Part Number	
1	Seal Nut (M6)	1	65110-003	*
2	Adjusting Screw (M6 x 30 DIN 913-12.9)	1	60137-012	
3	Pin (M4 x 24 DIN 6325)	1	69116-019	
4	Plug (9/16-18)	1	76122-006	
4a	O-Ring (75 Duro FPM Tube PRP-906)	1	68106-906	*▲
5	Cap Screw (M6 x 40 DIN 912-8.8)	4	60118-063	
6	Circlip	1	HU00085812	
7	O-Ring (75 Duro FPM PRP-025)	1	68103-025	*
8	Control Bushing	1	HU00417512	
9	Control Spool	1	HU00430748	
10	Snap Ring (M16 x 1 DIN 472)	1	71128-015	
11	Spring Retainer	1	HU00921351	
12	Spring	1	HU00921419	
13	Spring Bushing	1	HU00651118	
14	Spring	1	HU00651116	
15	Spring Retainer	1	HU00412316	
16	Spring	1	HU00436269	

\* Contained in Seal Kit 5630-635-007

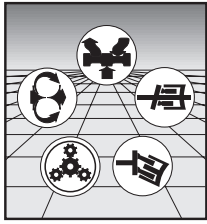
▲ Included with 76122-006



# HZ1 Control



Assembly Number  
**HU00437278**



# REXROTH CORPORATION

## MOBILE HYDRAULICS DIVISION

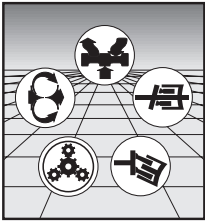
### HZ1 Control

Assembly Number  
**HU00437278**

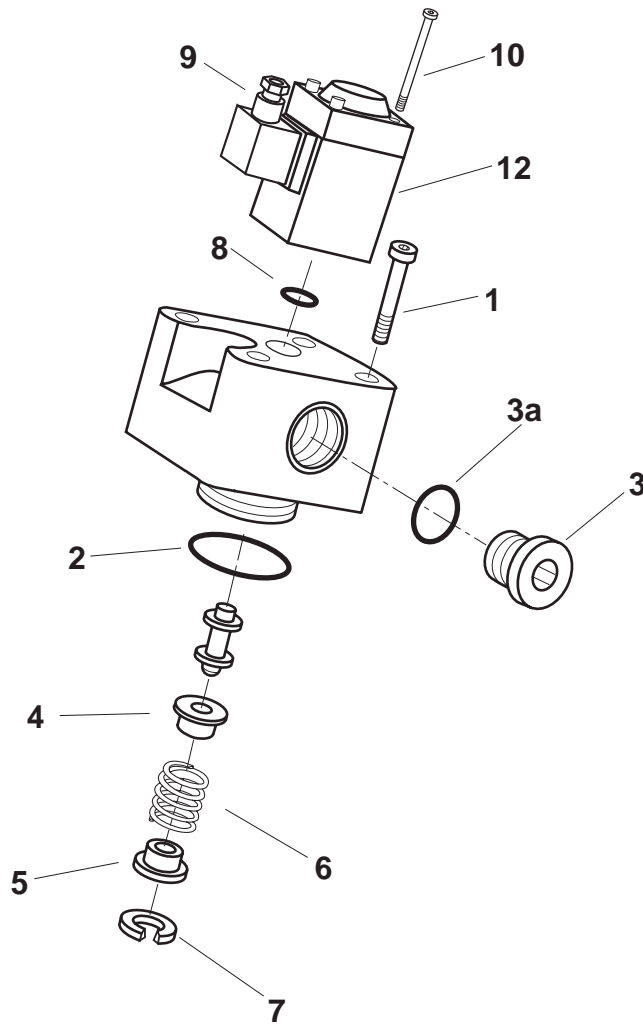
Item	Description	Qty	Part Number	
1	Cap Screw (M6 x 40 DIN 912-8.8)	4	60118-063	
2	O-Ring (75 Duro FPM PRP-026)	1	68103-026	*
3	Plug (9/16-18)	1	76122 -006	
3a	O-Ring (75 Duro FPM Tube PRP-906)	1	68106-906	* D
4	Spring Retainer	1	HU00426138	
5	Spring	1	HU00432802	
6	Spring Retainer	1	HU00426136	
7	Snap Ring (M16 x 1 DIN 472)	1	71128-015	

\* Contained in Seal Kit 5630-635-007

D Included with 76122-006

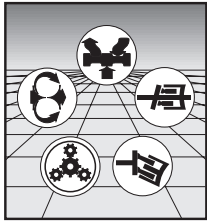


# EZ1 Control



Assembly Number  
**HU00433953**





# REXROTH CORPORATION

## MOBILE HYDRAULICS DIVISION

### EZ1 Control

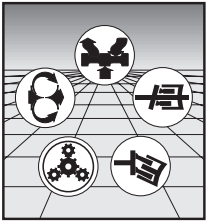
Assembly Number  
**HU00433953**

Item	Description	Qty	Part Number	
1	Cap Screw (M6 x 35 DIN 912-8.8)	4	60118-062	
2	O-Ring (75 Duro FPM PRP-026)	1	68103-026	*
3	Plug (9/16-18)	1	76122-006	
3a	O-Ring (75 Duro FPM Tube PRP-906)	1	68106-906	*▲
4	Spring Retainer	1	HU00426138	
5	Spring Retainer	1	HU00426136	
6	Spring	1	HU00436459	
7	Snap Ring (M16 x 1 DIN 472)	1	71128-015	
8	O-Ring (75 Duro FPM PRP-016)	1	68103-016	*
9	Plug-Connector, Black	1	5400-085-002	
10	Cap Screw (M4 x 65 DIN 912-8.8)	4	60118-340	□
12	Solenoid (12 VDC Non-proportional)	1	5406-580-002	

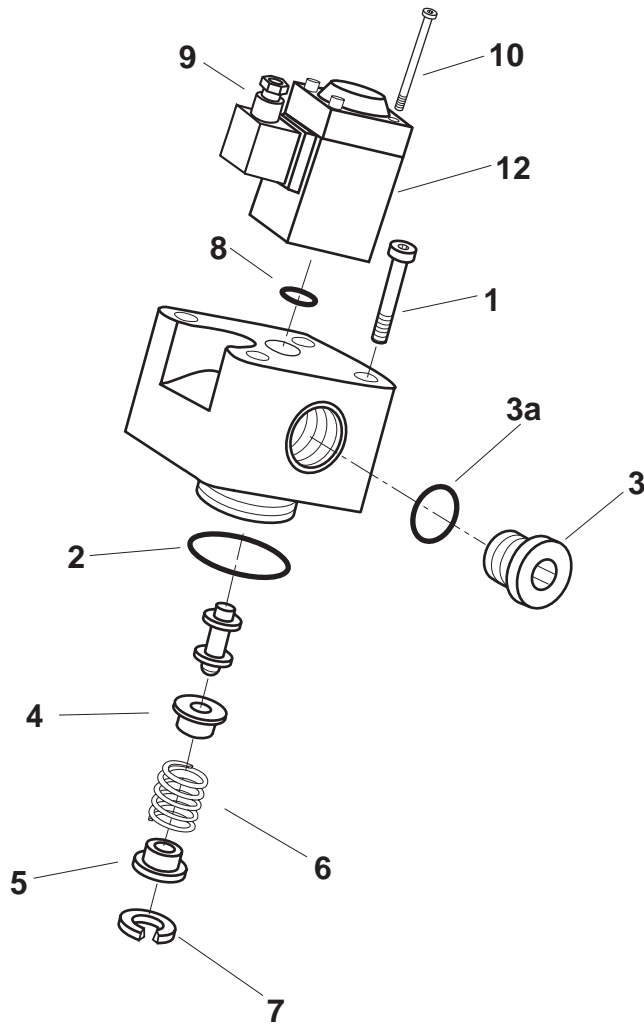
\* Contained in Seal Kit 5630-635-007

▲ Included with 76122-006

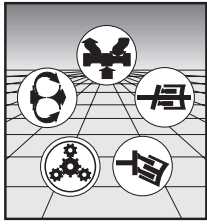
□ Included with 5406-580-002



# EZ2 Control



Assembly Number  
**HU00433954**



# REXROTH CORPORATION

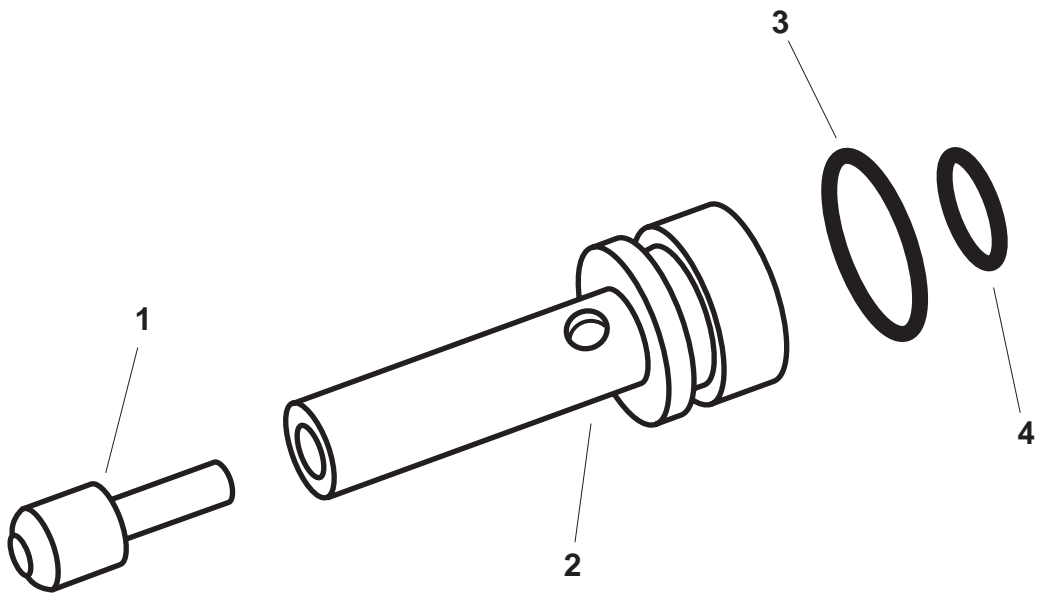
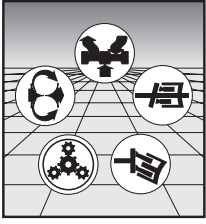
## MOBILE HYDRAULICS DIVISION

**EZ2 Control**

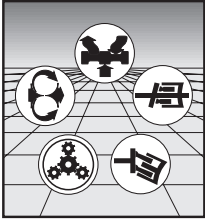
Assembly Number  
**HU00433954**

Item	Description	Qty	Part Number	
1	Cap Screw (M6 x 35 DIN 912-8.8)	4	60118-062	
2	O-Ring (75 Duro FPM PRP-026)	1	68103-026	*
3	Plug (9/16-18)	1	76122-006	
3a	O-Ring (75 Duro FPM Tube PRP-906)	1	68106-906	*▲
4	Spring Retainer	1	HU00426138	
5	Spring Retainer	1	HU00426136	
6	Spring	1	HU00436459	
7	Snap Ring (M16 x 1 DIN 472)	1	71128-015	
8	O-Ring (75 Duro FPM PRP-016)	1	68103-016	*
9	Plug-Connector, Black	1	5400-085-002	
10	Cap Screw (M4 x 65 DIN 912-8.8)	4	60118-340	□
12	Solenoid (24 VDC Non-proportional)	1	5406-580-001	

- \* Contained in Seal Kit 5630-635-007
- ▲ Included with 76122-006
- Included with 5406-580-001



Assembly Number  
**5600-635-011**



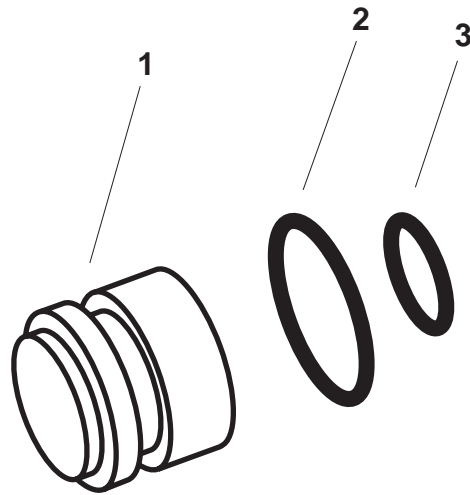
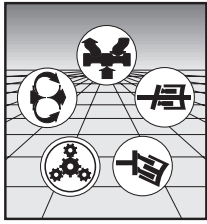
# REXROTH CORPORATION

## MOBILE HYDRAULICS DIVISION

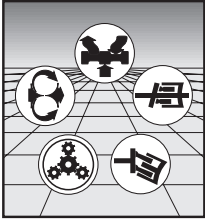
Assembly Number  
**5600-635-011**

Item	Description	Qty	Part Number	
1	Poppet	1	HU00426662	
2	Check Valve Housing	1	HU00422894	
3	O-Ring (90 Duro FPM PRP-012)	1	68109-012	*
4	O-Ring (90 Duro FPM PRP-009)	1	68109-009	*

\* Contained in Seal Kit 5630-635-007



Assembly Number  
**5600-635-020**



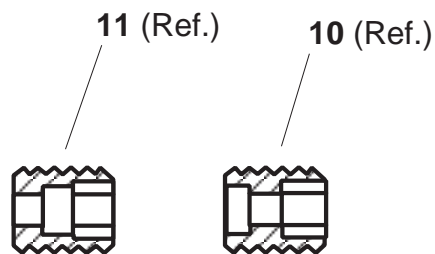
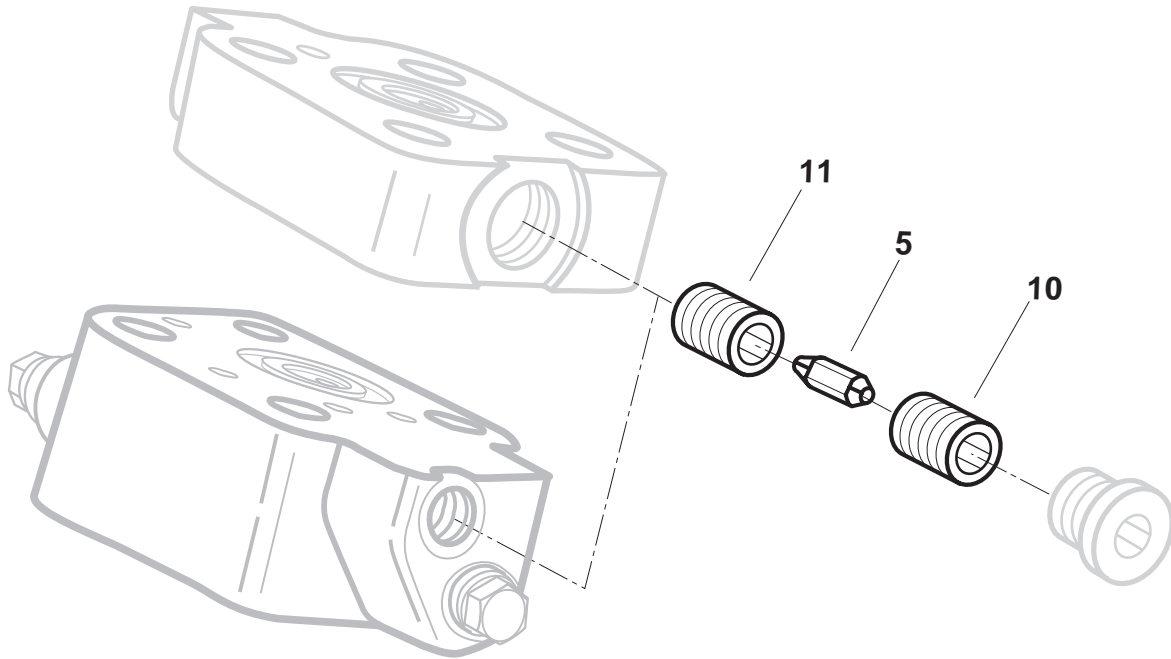
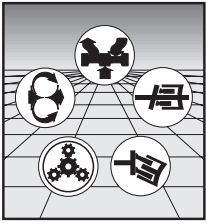
# REXROTH CORPORATION

## MOBILE HYDRAULICS DIVISION

Assembly Number  
**5600-635-020**

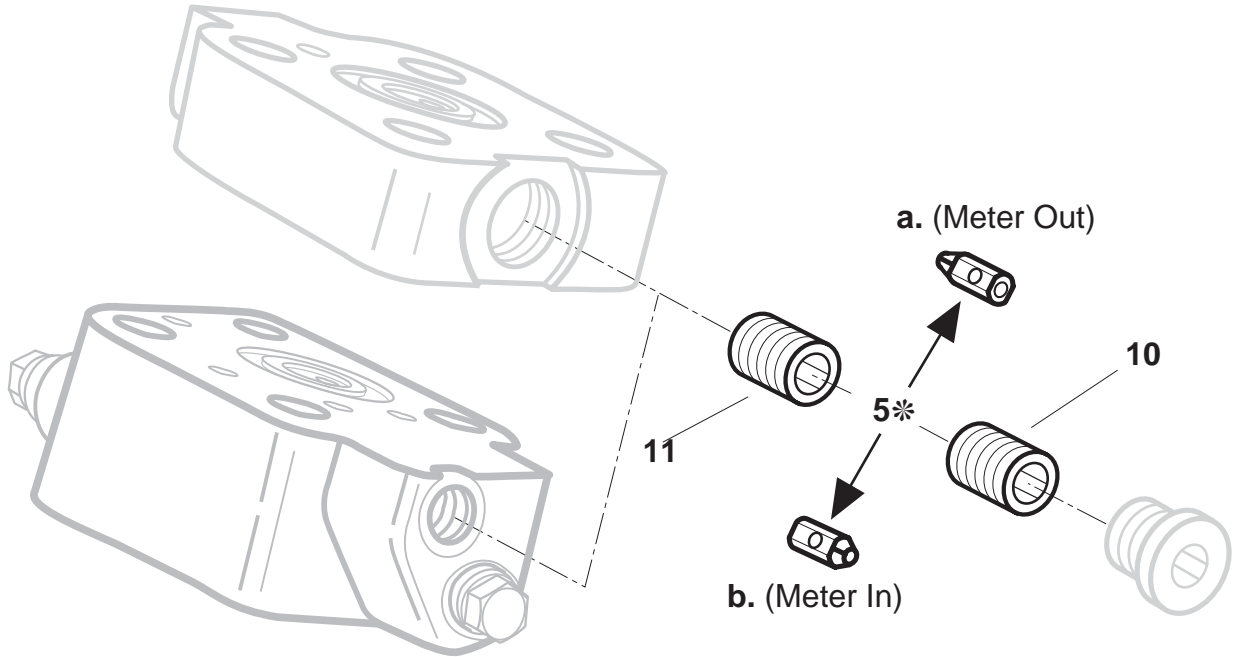
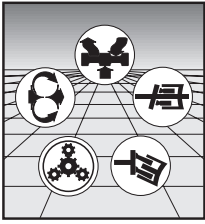
Item	Description	Qty	Part Number	
1	Plug	1	HU00415161	
2	O-Ring (90 Duro FPM PRP-012)	1	68109-012	*
3	O-Ring (90 Duro FPM PRP-009)	1	68109-009	*

\* Contained in Seal Kit 5630-635-007



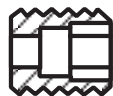
Shuttle Orifice Kits  
**Bi-Directional**





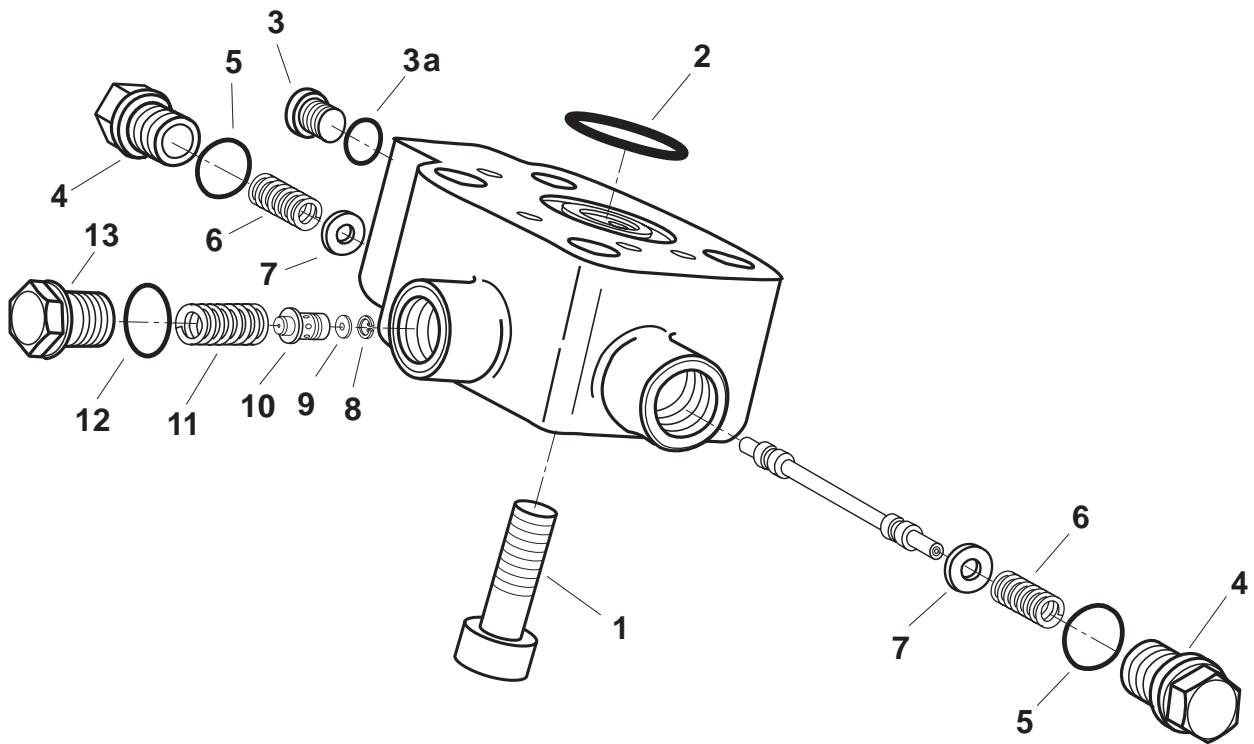
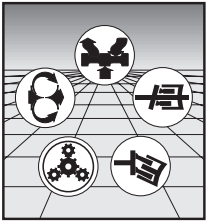
11 (Ref.)

10 (Ref.)

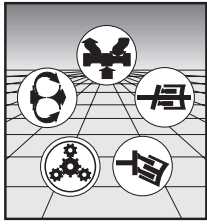


\* Note orientation of the shuttle orifice.

Shuttle Orifice Kits  
**Uni-Directional**



Assembly Number  
**HU00603847**



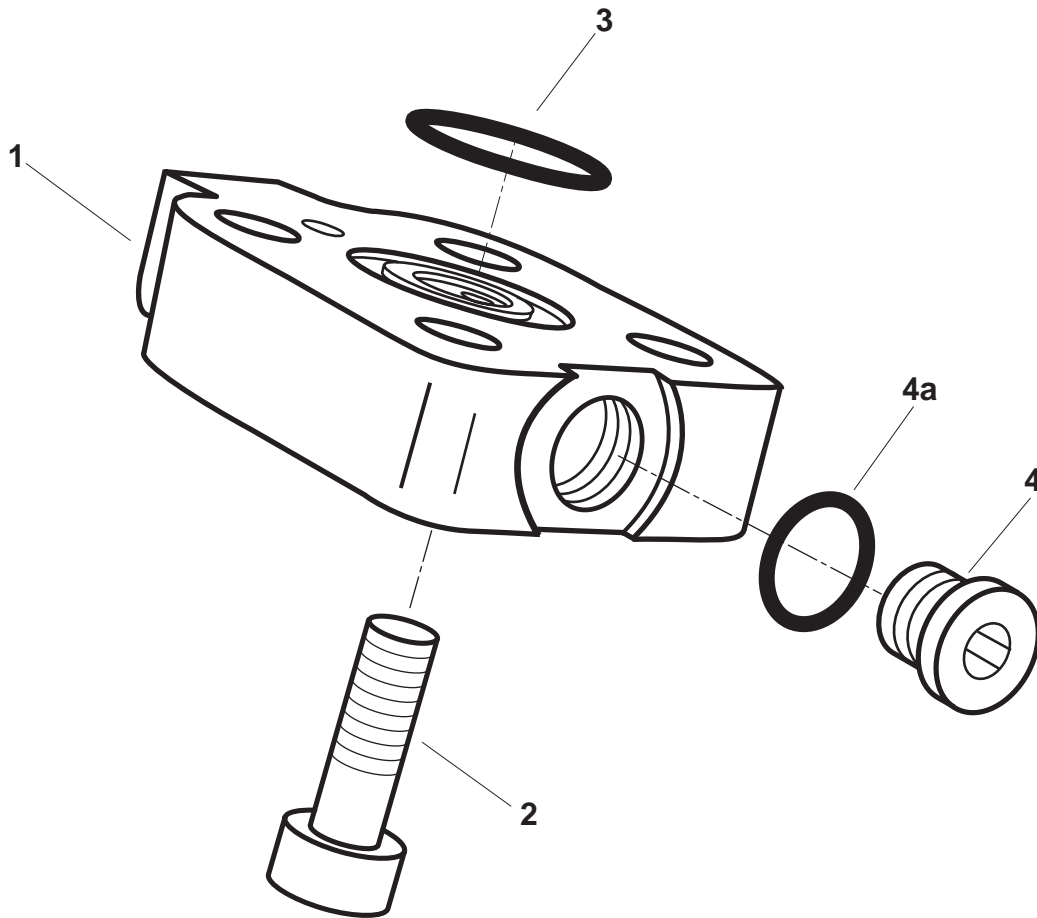
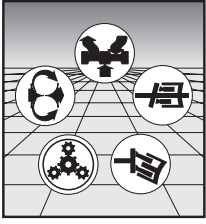
# REXROTH CORPORATION

## MOBILE HYDRAULICS DIVISION

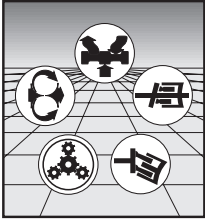
Assembly Number  
**HU00603847**

Item	Description	Qty	Part Number	
1	Cap Screw (M10 x 55 DIN 912-10.9)	4	60119-115	
2	O-Ring (90 Duro FPM PRP-219)	1	68109-219	*
3	Plug (9/16-18)	1	76122-006	
3a	O-Ring (75 Duro FPM Tube PRP-906)	1	68106-906	*D
4	Plug	2	HU00417111	
5	O-Ring (90 Duro FPM PRP-114)	2	68109-114	*
6	Spring	2	HU00417113	
7	Spring Retainer	2	HU00417112	
8	Snap Ring (M8 x 0.8 DIN 472)	1	71128-018	
9	Flushing Orifice	1	See Page 6	□
10	Poppet	1	HU00430234	
11	Spring	1	HU00417848	
12	O-Ring (90 Duro FPM PRP-115)	1	68109-115	*
13	Plug	1	HU00417846	

- \* Contained in Seal Kit 5630-635-007
- D Included with 76122-006
- **Not** Included with HU00603847



Assembly Number  
**HU00603766**



# REXROTH CORPORATION

## MOBILE HYDRAULICS DIVISION

Assembly Number  
**HU00603766**

Item	Description	Qty	Part Number	
1	Stroking Piston Cover	1	HU00921561	
2	Cap Screw (M10 x 30 DIN 6912)	4	60140-047	
3	O-Ring (90 Duro FPM PRP-219)	1	68109-219	*
4	Plug (9/16-18)	1	76122-006	
4a	O-Ring (75 Duro FPM Tube PRP-906)	1	68106-906	*▲

\* Contained in Seal Kit 5630-635-007

▲ Included with 76122-006

# Parts Prices

*Effective 6.96*

Part Number	Description	List (\$) Each
5000-076-010	Shaft Seal (50 x 72 x 7-FPM)	\$74.00
5400-085-002	Plug-Connector, Black	\$12.36
5406-580-001	Solenoid (24 VDC Non-proportional)	\$137.00
5406-580-002	Solenoid (12 VDC Non-proportional)	\$137.00
5600-635-011	Check Valve Kit	\$52.17
5600-635-021	Plug Kit	\$19.96
5604-080-001	Solenoid (24V Proportional)	\$200.00
5604-080-002	Solenoid (12V Proportional)	\$200.00
5630-430-007	Rear Cover Assembly	\$1,589.76
5630-430-008	Port Block (AA6VM 80/63)	\$1,016.41
60118-027	Cap Screw (M4 x 50 DIN 912-8.8)	\$1.00
60118-062	Cap Screw (M6 x 35 DIN 912-8.8)	\$0.50
60118-063	Cap Screw (M6 x 40 DIN 912-8.8)	\$0.50
60118-146	Cap Screw (M12 x 65 DIN 912-8.8)	\$1.85
60118-340	Cap Screw (M4 x 65 DIN 912-8.8)	\$3.10
60119-115	Cap Screw (M10 x 55 DIN 912-10.9)	\$3.39
60134-007	Disp. Stop Screw (M12 x 80)	\$8.30
60134-008	Disp. Stop Screw (M12 x 90)	\$13.88
60134-009	Disp. Stop Screw (M12 x 100)	\$14.01
60134-011	Disp. Stop Screw (M12 x 70)	\$5.96
60137-001	Screw (M4 x 6 DIN 913-10.9)	\$0.50
60137-012	Adjusting Screw (M6 x 30 DIN 913-12.9)	\$0.50
60140-047	Cap Screw (M10 x 30 DIN 6912)	\$1.20
60140-058	Cap Screw (M12 x 25 DIN 6912-8.8)	\$1.20
65110-002	Seal Nut (M12)	\$12.08
65110-003	Seal Nut (M6)	\$1.00
68103-009	O-Ring (75 Duro FPM PRP-009)	\$1.00
68103-012	O-Ring (75 Duro FPM PRP-012)	\$1.25
68103-016	O-Ring (75 Duro FPM PRP-016)	\$0.50
68103-018	O-Ring (75 Duro FPM PRP-018)	\$1.36
68103-025	O-Ring (75 Duro FPM PRP-025)	\$3.80
68103-026	O-Ring (75 Duro FPM PRP-026)	\$3.30
68103-258	O-Ring (75 Duro FPM PRP-258)	\$21.11
68106-906	O-Ring (75 Duro FPM Tube PRP-906)	\$1.00
68106-910	O-Ring (75 Duro FPM Tube PRP-910)	\$2.22
68106-912	O-Ring (75 Duro FPM Tube PRP-912)	\$3.45
68109-009	O-Ring (90 Duro FPM PRP-009)	\$1.25
68109-011	O-Ring (90 Duro FPM PRP-011)	\$1.04
68109-012	O-Ring (90 Duro FPM PRP-012)	\$2.20
68109-114	O-Ring (90 Duro FPM PRP-114)	\$2.47
68109-115	O-Ring (90 Duro FPM PRP-115)	\$2.47

# Parts Prices

Effective 6.96

Part Number	Description	List (\$) Each
68109-219	O-Ring (90 Duro FPM PRP-219)	\$4.83
69115-008	Dowel Pin (M10 x 20 DIN 7)	\$0.75
69116-019	Pin (M4 x 24 DIN 6325)	\$1.00
71128-015	Snap Ring (M16 x 1 DIN 472)	\$0.50
71128-018	Snap Ring (M16 x 1 DIN 472)	\$0.25
71128-054	Snap Ring (M72 x 2.5 DIN 472)	\$2.82
76122-006	Plug (9/16-18)	\$1.66
76122-010	Plug (7/8-14)	\$4.68
76122-012	Plug (1 1/16-12)	\$9.32
HU00062847	Retaining Plate	\$49.32
HU00085812	Circlip	\$0.78
HU00087188	Shim (M56 x 72 x 3.0 DIN 988)	\$4.68
HU02000065	Drive Shaft Bearing Assembly (S Code)	\$1,530.00
HU00400262	Shuttle Orifice (.26 mm ø, Number 3)	\$38.28
HU00400263	Orifice Seat - Inner	\$11.40
HU00400264	Orifice Seat - Outer	\$11.40
HU00410142	Shuttle Orifice (.56 mm ø, Number 6)	\$22.56
HU00410278	Shuttle Orifice (.69 mm ø, Number 8)	\$32.28
HU00410814	Shuttle Orifice (0.47 mm ø, Number 5)	\$20.04
HU00411019	Shuttle Orifice (.39 mm ø, Number 4)	\$23.40
HU00412246	Control Bushing	\$249.00
HU00412266	Control Spool	\$208.92
HU00412316	Spring Retainer	\$25.92
HU00415161	Plug	\$18.96
HU00417111	Plug	\$9.12
HU00417112	Spring Retainer	\$5.10
HU00417113	Spring	\$1.32
HU00417118	Shuttle Orifice (.26 mm ø, Number 3)	\$32.04
HU00417322	Control Bushing	\$257.16
HU00417323	Control Spool	\$99.48
HU00417512	Control Bushing	\$246.36
HU00417846	Plug	\$7.92
HU00417848	Spring	\$3.48
HU00419695	Flushing Orifice (1.4 mm ø, 5 L/Min.)	\$4.14
HU00419696	Flushing Orifice (1.8 mm ø, 8 L/Min.)	\$4.44
HU00419697	Flushing Orifice (2.0 mm ø, 10 L/Min.)	\$7.32
HU00419926	Spring Retainer	\$118.44
HU00421289	Barrel	\$1,463.76
HU00422894	Check Valve Housing	\$30.00
HU00422949	Lens Pin	\$34.08
HU00425867	Shuttle Orifice (.39 mm ø, Number 4)	\$33.36

# Parts Prices

*Effective 6.96*

Part Number	Description	List (\$) Each
HU00425868	Shuttle Orifice (.47 mm ø, Number 5)	\$79.20
HU00425869	Shuttle Orifice (.56 mm ø, Number 6)	\$79.20
HU00425870	Shuttle Orifice (.69 mm ø, Number 8)	\$79.20
HU00426136	Spring Retainer	\$6.70
HU00426138	Spring Retainer	\$7.60
HU00426662	Poppet	\$9.72
HU00430234	Poppet	\$145.68
HU00430747	Control Spool	\$41.76
HU00430748	Control Spool	\$24.00
HU00432802	Spring	\$1.56
HU00433953	EZ1 Control Kit	\$1,068.90
HU00433954	EZ2 Control Kit	\$1,068.90
HU00436267	Spring	\$2.00
HU00436268	Spring	\$55.70
HU00436269	Spring	\$9.00
HU00436459	Spring	\$1.56
HU00437278	HZ1 Control Kit	\$999.95
HU00443336	Pistons	\$138.12
HU00444361	Flushing Orifice (2.4 mm) (14 L/Min.)	\$7.80
HU00444969	Threaded Pin	\$31.40
HU00603766	Stroking Piston Cover (without Flushing)	\$132.32
HU00603779	Hydraulic Rotary Group	\$1,411.20
HU00603822	EP1 Control Kit	\$1,300.95
HU00603823	EP2 Control Kit	\$1,300.95
HU00603847	Stroking Piston Cover (with Flushing)	\$407.61
HU00603869	HD2 Control Kit	\$1,209.60
HU00603923	HD1 Control Kit	\$1,209.60
HU00604150	Rotary Group	\$2,352.00
HU00605660	HA1T Control Kit	\$999.95
HU00605779	HA1 Control Kit	\$999.95
HU00610057	HA2T Control Kit	\$1,209.60
HU00651116	Spring	\$4.86
HU00651118	Spring Bushing	\$108.60
HU00651766	Flushing Orifice (1.2 mm) (3.5 L/Min.)	\$7.00
HU00831106	Torx Head Screw	\$0.78
HU00831672	Square-Ring (M25 x 1.5 x 1.5 DIN 34110)	\$8.90
HU00831893	Piston Rings	\$8.28
HU00921312	Spring	\$18.20
HU00921339	Spring Retainer	\$17.76
HU00921351	Spring Retainer	\$31.00
HU00921419	Spring	\$1.20



# Parts Prices

*Effective 6.96*

<b>Part Number</b>	<b>Description</b>	<b>List (\$) Each</b>
HU00921420	Spring	\$1.40
HU00921421	Spring	\$7.20
HU00921438	Stroking Pistion	\$101.20
HU00921442	Piston	\$39.10
HU00921507	Pressure Spring	\$4.30
HU00921508	Center Pin	\$114.10
HU00921526	Preload Shim (3.5 mm)	\$6.40
HU00921527	Preload Shim (3.6 mm)	\$6.40
HU00921528	Preload Shim (3.7 mm)	\$6.40
HU00921529	Preload Shim (3.8 mm)	\$6.40
HU00921530	Preload Shim (3.9 mm)	\$6.40
HU00921534	Preload Shim (4.0 mm)	\$6.40
HU00921561	Stroking Piston Cover	\$117.70
HU00921787	Control Lens	\$392.64
HU00921942	Control Spool	\$178.90
HU00922141	Housing	\$1,016.41
HU02000133	HA2 Control Kit	\$1,209.60

# Equivalent Part Numbers

<b>Wooster</b>	<b>Brueninghaus</b>	<b>Hydromatik</b>	<b>Lohr</b>	<b>Sigma</b>
5000-076-010		HU00831178		
5400-085-002	BH00525375	HU00085290		
5406-580-001	BH00577626	HU00428266		
5406-580-002	BH00574686	HU00428265		
5604-080-001	BH00825018	HU00441694		
5604-080-002		HU00441693		
60118-027	BH00576107	HU00086070	RR00006890	S11180709
60118-062	BH00109347	HU00083025	RR00003025	S10076609
60118-063	BH00109355	HU00083026	RR00003026	S10597709
60118-146	BH00109843	HU00083097		
60118-340		HU00157715	RR00008132	
60119-115		HU00831470	RR00003232	S11231109
60134-007	BH00977213	HU00153075		
60134-008	BH00826278	HU00154041		
60134-009	BH00824283	HU00153975		
60134-011	BH00242543	HU00085976		
60137-001	BH00977209	HU00083488	RR00007368	S00736888
60137-012		HU00152427		
60140-047		HU00157771		
60140-058	BH00714917	HU00083204		
65110-002	BH00339504	HU00152459	RR00001551	S11223709
65110-003	BH00529036	HU00152425		
68103-009	BH00971118	HU00156527	RR00015131	S11281309
68103-012	BH00514098	HU00084408	RR00009097	S00909788
68103-016	BH00525618	HU00087945	RR00009193	S11076309
68103-018	BH00802520	HU00085551	RR00002910	S11061809
68103-025		HU00157562		S11261109
68103-026	BH00756601	HU00085556	RR00008893	S00889388
68103-258	BH00831387	HU00084986		
68106-906		HU00153837		
68106-910	BH00824747	HU00153863		
68106-912	BH00967351	HU00157665		
68109-009	BH00930806	HU00830726		
68109-011	BH00514497	HU00085577		
68109-012	BH00593168	HU00086487		
68109-114	BH00302139	HU00087891		
68109-115	BH00515574	HU00087938		
68109-219	BH00514519	HU00085578		
69115-008	BH00977205	HU00152600	RR00005036	
69116-019	BH00439266	HU00087756		S11292909
71128-015	BH00114995	HU00083381	RR00013771	S03702509

# Equivalent Part Numbers

<b>Wooster</b>	<b>Brueninghaus</b>	<b>Hydromatik</b>	<b>Lohr</b>	<b>Sigma</b>
71128-018	BH00800550	HU00153012	RR00007042	
71128-054	BH00106054	HU00083412	RR00003971	
76122-006	BH00921254	HU00157039		S11133909
76122-010	BH00967343	HU00157038	RR00007769	S00776988
76122-012	BH00976351	HU00831665		

## Variable Motor AA6VM Series 63

**Specifications, descriptions, and illustrative material shown herein were as accurate as known at the time this publication was printed. Rexroth reserves the right to discontinue models or options at any time or to change specifications, materials, or designs without notice and without incurring obligation.**

DISTRIBUTED BY: