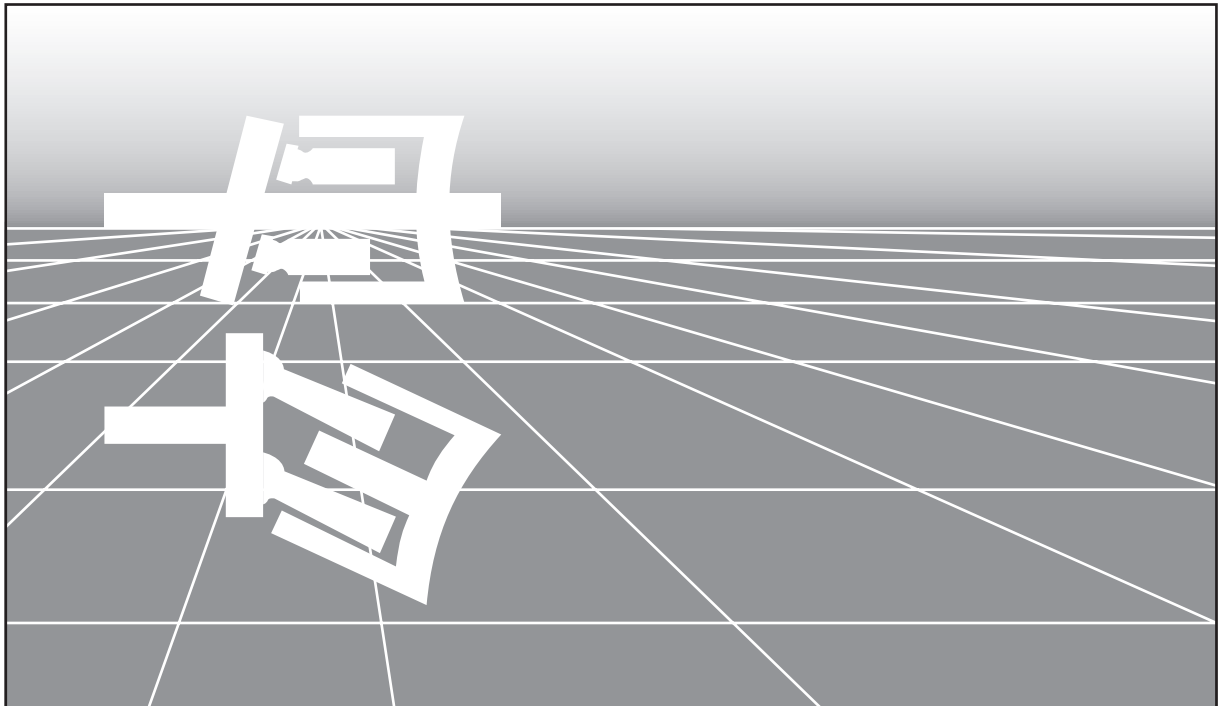


**Service Parts List**

**AA4V250**

**Series 2**



## Ordering of AA4V Parts

For Rexroth to supply the correct parts for your unit, please include all of the following information with your parts order.

TYPE CODE  
TYPE NUMBER  
SERIAL NUMBER  
PART NUMBER  
PART NAME

Due to modifications and improvements to our products, minor changes can occur to the parts, even though the type code may not necessarily reflect these changes. The type number and serial number will guarantee that the correct parts for your unit are supplied.

HYDROMATIK GMBH ULM (DONAU)		
THE REXROTH CORP., WOOSTER, OHIO		
TYPE AA4VG71HDD1/32R-PSF52F001D		
NO 245.18.43.23		
SERIAL NO. 1127809	YEAR 10.95	MINERAL OIL
MADE IN W. GERMANY		
ROTATION		

### ORDERING EXAMPLE

To order a replacement charge pump for an AA4V hydrostatic transmission pump having the above nameplate, the following information would be required.

+ Type Code	AA4V90HD1R30101
+ Type Number	233.22.15.23
+ Serial Number	1127809
* Part Number	5440-430-001
* Part Name	Charge Pump

+ This information is taken from the nameplate on the pump.

\* This information is taken from the Service Parts List.

Rotary Groups.....Page 6-9

Housing.....10-11

Stroking Piston.....12-13

Port Block.....14-15

HD Control.....16-17

HW Controls.....18-19

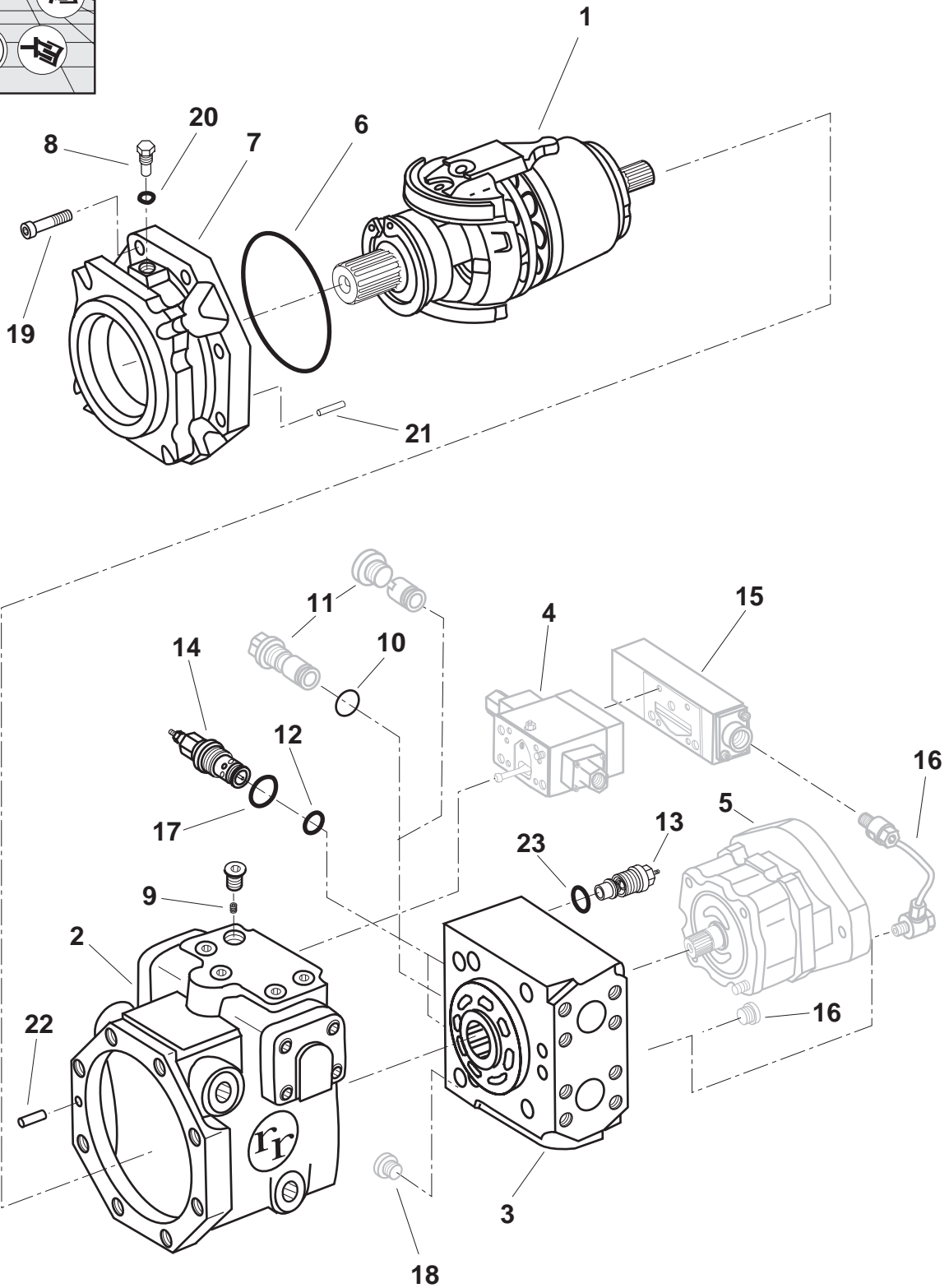
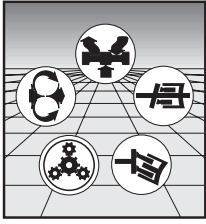
EL Controls.....20-23

Charge Pump.....24-25

Thru-Drives.....26-33

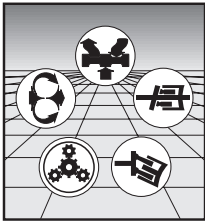
P.O.R.....34-35

[Back to Index](#)



Assembly Number  
**AA4V250**

[Back to Index](#)



# REXROTH CORPORATION

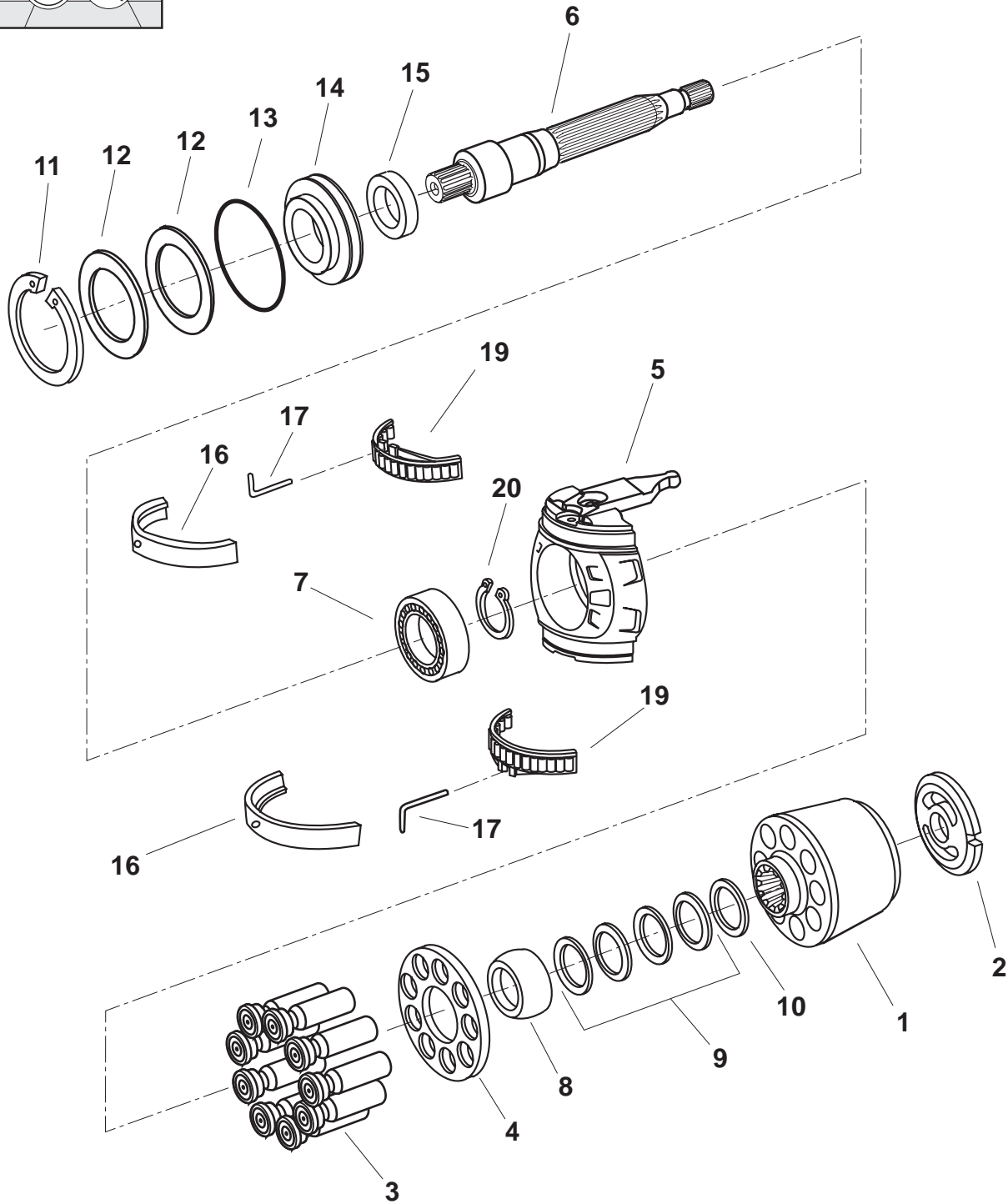
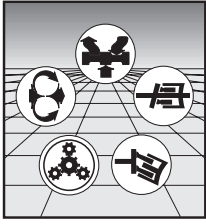
## MOBILE HYDRAULICS DIVISION

Assembly Number  
**AA4V250**

Item	Description	Qty	Part Number	
1	Rotary - Group CW	1	5460-570-001	
1	Rotary - Group CCW	1	5460-570-002	
2	Housing Assembly	1	5460-566-007	
3	Port Block Assembly	1	5460-430-007	
4	HD Control Assembly	1	5461-552-001	
4	HW Control Assembly	1	5462-552-001	
4	EL Control Ass'y (24 Volts Proportional)	1	5463-552-001	
4	EL Control Ass'y (12 Volts Proportional)	1	5463-552-002	
5	Charge Pump	1	5460-430-001	
5	Charge Pump "A" Thru Drive Assembly)	1	5460-635-003	
5	Charge Pump "B" Thru Drive Assembly)	1	5460-635-002	
5	Charge Pump "B-B" Thru Drive Assembly)	1	5460-635-001	
5	Charge Pump "C" Thru Drive Assembly)	1	5460-635-004	
6	O-Ring (70 Duro Buna PRP-275)	1	68101-275	*
7	Front Cover	1	H430394	
8	Retaining Bolt	2	H430389	
9	Stroking Time Orifice (1.6 mm)	2	H063399	
9	Stroking Time Orifice (1.8 mm)	2	H060751	
9	Stroking Time Orifice (2.0 mm)	2	H063243	
9	Stroking Time Orifice (2.2 mm)	2	H058115	
9	Stroking Time Orifice (2.5 mm)	2	H069244	
10	O-Ring (90 Duro Buna PRP-132)	1	68104-132	*
11	Kit Suction Filtration	1	5460-635-014	
11	Filter Sleeve	1	5460-583-001	
12	O-Ring (90 Duro Buna PRP-119)	3	68104-119	*
13	Charge Pressure R/V Assembly	1	5460-566-004	
14	Main R/V Assembly (High Range)	1	5460-566-001	
14	Main R/V Assembly (Low Range)	1	5460-566-002	
15	POR Assembly	1	5460-635-005	
16	POR Control Tube	1	5460-635-007	*
16	Plug (M12 x 1.5)	1	76116-002	
17	O-Ring (90 Duro Buna PRP-133)	3	68104-133	*
18	Plug (SAE 1 5/16-12 UNF)	1	76107-016	
19	Cap Screw (M16 x 50 DIN 912-10.9)	8	60119-179	
20	O-Ring (90 Duro Buna PRP-011)	2	68104-011	*
21	Roll Pin (4 x 14 mm DIN 7344)	2	H153512	
22	Dowell Pin (10 x 24 mm DIN 6325)	1	69116-011	

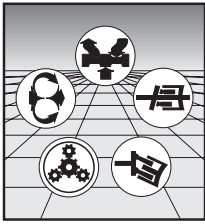
\* Contained in Buna Seal Kit 5460-635-006

[Back to Index](#)



Assembly Number  
**5460-570-001**

[Back to Index](#)



# REXROTH CORPORATION

## MOBILE HYDRAULICS DIVISION

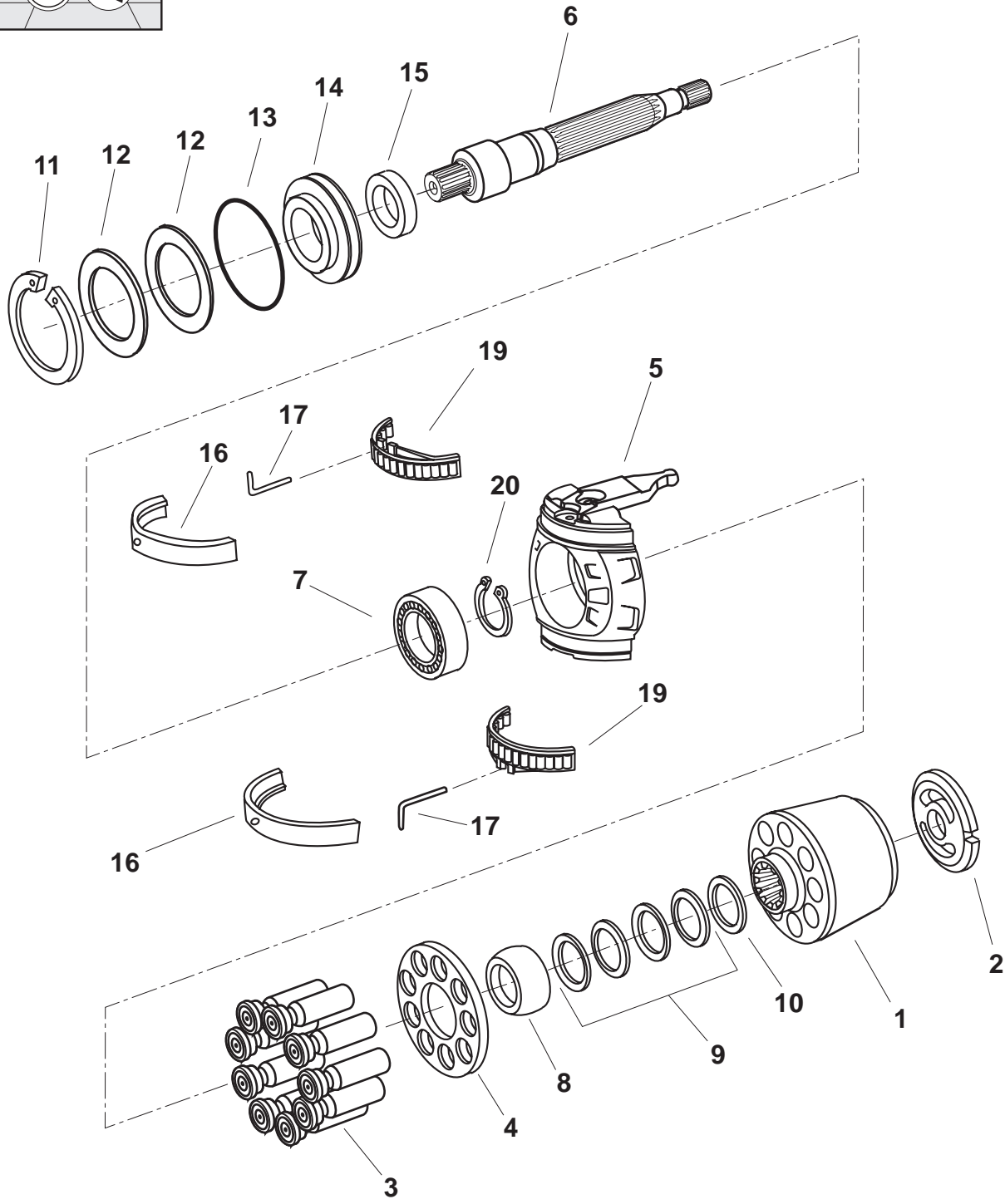
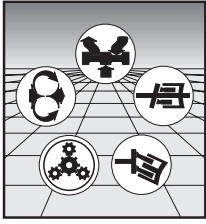
Assembly Number  
**5460-570-001**

Item	Description	Qty	Part Number	
1	Barrel A4V250	1	H415131	
2	Control Lens CW	1	5460-049-001	
3	Piston	9	H401845	
4	Retaining Plate	1	H431018	
5	Swash Plate Assembly (with Pins)	1	H436053	
6	Shaft SAE	1	H405550	
7	Roller Bearing	1	H154512	
8	Retaining Ball	1	H426462	
9	Belleville Washers (set)	1	H403548	
10	Preload Shim (0.6 mm)	1	H401886	▲
10	Preload Shim (1.0 mm)	0	H401887	▲
10	Preload Shim (0.8 mm)	0	H408065	▲
10	Preload Shim (1.2 mm)	0	H408066	▲
11	Int. Snap Ring (140 x 4 DIN 472)	1	71128-068	
12	Shim (70 x 90 x 1 DIN 988)	1	H084590	
12	Shim (70 x 90 x 0.1 DIN 988)	2	H084588	
12	Shim (70 x 90 x 0.3 DIN 988)	0	H084589	
13	O-Ring (70 Duro Buna PRP-252)	1	68101-252	*
14	Front Cover	1	H425287	
15	Shaft Seal (Buna-N)	1	5000-076-006	*
16	Bearing Race	1	H403527	
17	Wire	2	H403549	
19	Cage Bearing (Set)	1	H156501	
20	Ext.Snap Ring (60 x 2.0 DIN 471)	1	71119-044	

\* Contained in Buna Seal Kit 5460-635-006

▲ Select the correct Shim to set the Rotary Group preload

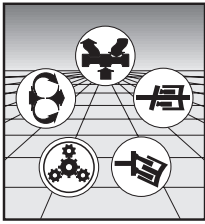
**Back to Index**



Assembly Number  
**5460-570-002**

[Back to Index](#)





# REXROTH CORPORATION

## MOBILE HYDRAULICS DIVISION

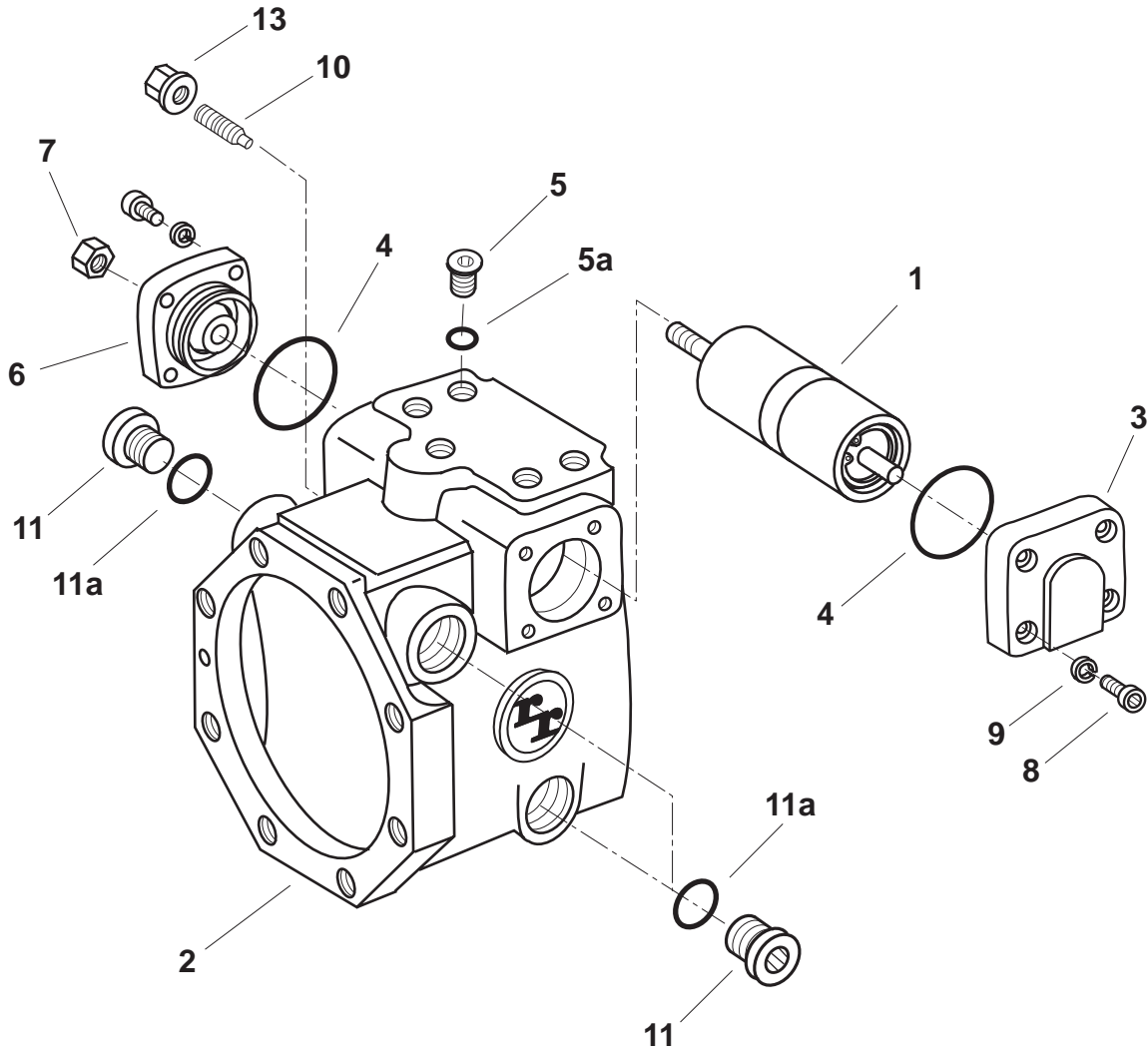
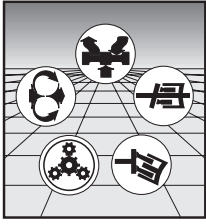
Assembly Number  
**5460-570-002**

Item	Description	Qty	Part Number	
1	Barrel A4V250	1	H415131	
2	Control Lens CCW	1	5460-049-002	
3	Piston	9	H401845	
4	Retaining Plate	1	H431018	
5	Swash Plate Assembly	1	H436053	
6	Shaft SAE	1	H405550	
7	Roller Bearing	1	H154512	
8	Retaining Ball	1	H426462	
9	Belleville Washers (set)	1	H403548	
10	Preload Shim (0.6 mm)	1	H401886	▲
10	Preload Shim (1.0 mm)	0	H401887	▲
10	Preload Shim (0.8 mm)	0	H408065	▲
10	Preload Shim (1.2 mm)	0	H408066	▲
11	Int. Snap Ring (140 x 4 DIN 472)	1	71128-068	
12	Shim (70 x 90 x 1 DIN 988)	1	H084590	
12	Shim (70 x 90 x 0.1 DIN 988)	2	H084588	
12	Shim (70 x 90 x 0.3 DIN 988)	0	H084589	
13	O-Ring (70 Duro Buna PRP-252)	1	68101-252	*
14	Front Cover	1	H425287	
15	Shaft Seal (Buna-N)	1	5000-076-006	*
16	Bearing Race	1	H403527	
17	Wire	2	H403549	
19	Cage Bearing (Set)	1	H156501	
20	Ext. Snap Ring (60 x 2.0 DIN 471)	1	71119-044	

\* Contained in Buna Seal Kit 5460-635-006

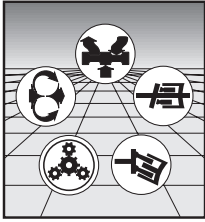
▲ Select the correct Shim to set the Rotary Group preload

**Back to Index**



Assembly Number  
**5460-566-007**

**Back to Index**



# REXROTH CORPORATION

## MOBILE HYDRAULICS DIVISION

Assembly Number  
**5460-566-007**

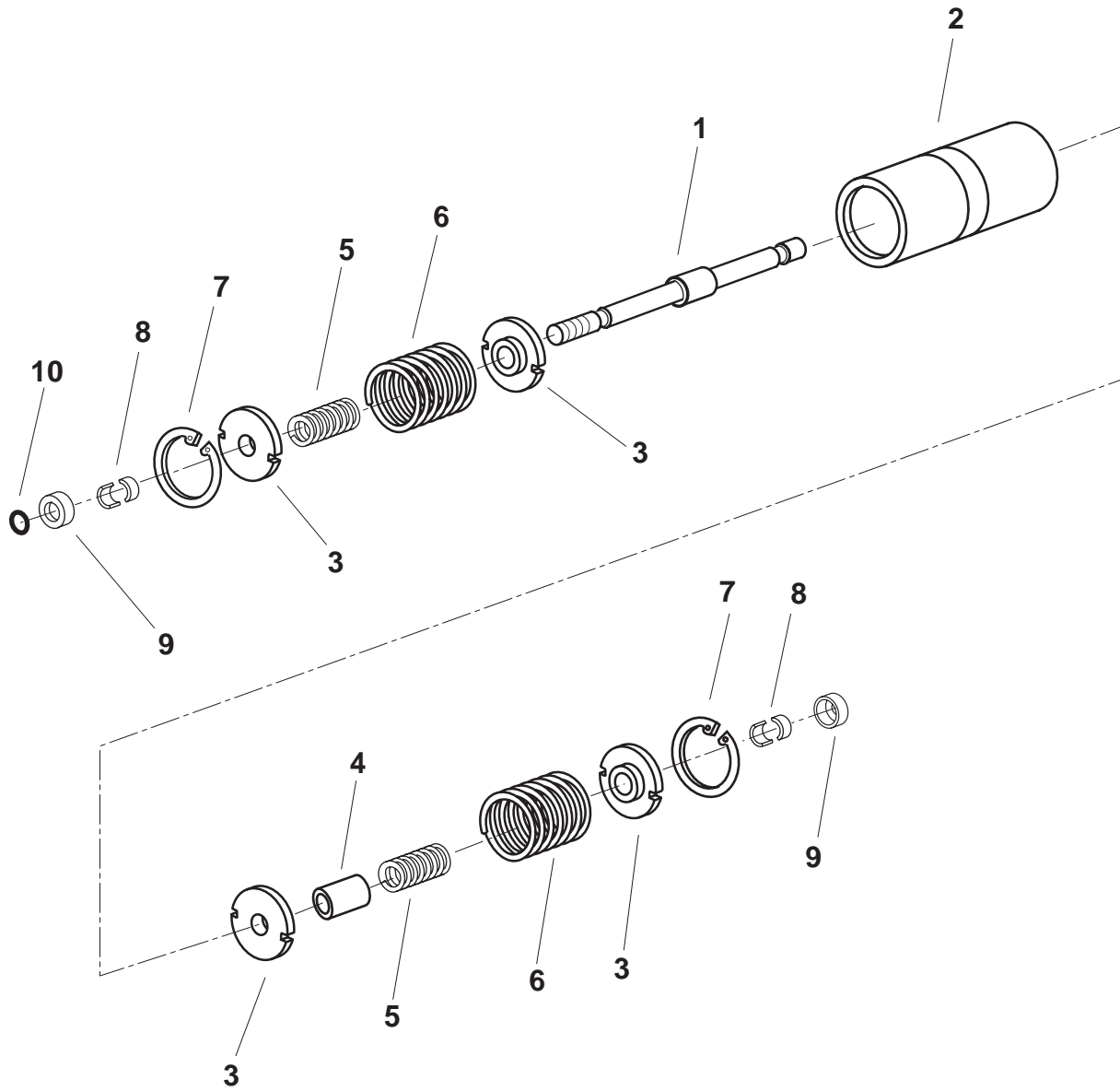
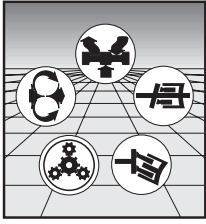
Item	Description	Qty	Part Number	
1	Stroking Piston Asssembly	1	5460-574-003	
2	Housing	1	5460-566-006	
3	Stroking Piston Cover	1	H403560	
4	O-Ring (70 Duro Buna PRP-154)	2	68104-154	*
5	Plug (SAE 9/16-18)	5	76107-006	
5a	O-Ring (3/8 Tube O-Ring PRP-906)	5	68105-906	*▲
6	Stroking Piston Cover	1	H403559	
7	Hex Nut (M18 x 1.5 DIN 936-4)	1	H083633	
8	Cap Screw (M10 x 40 DIN 912 -8.8)	8	60118-114	
9	Lock Washer (M10 DIN 7980)	8	61116-001	
10	Eccentric Screw	1	H420279	
11	Plug (SAE 1-5/8 -12)	3	76107-020	
11a	O-Ring (90 Duro Buna Tube PRP-920)	3	68105-920	*◐
13	Seal Nut (M14 x 1.5)	1	65110-006	*

\* Contained in Buna Seal Kit 5460-635-006

▲ Included with 76107-906

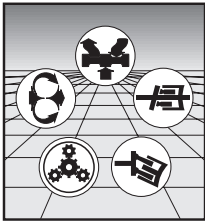
◐ Included with 76107-920

**Back to Index**



Assembly Number  
**5460-574-003**

**Back to Index**



# REXROTH CORPORATION

## MOBILE HYDRAULICS DIVISION

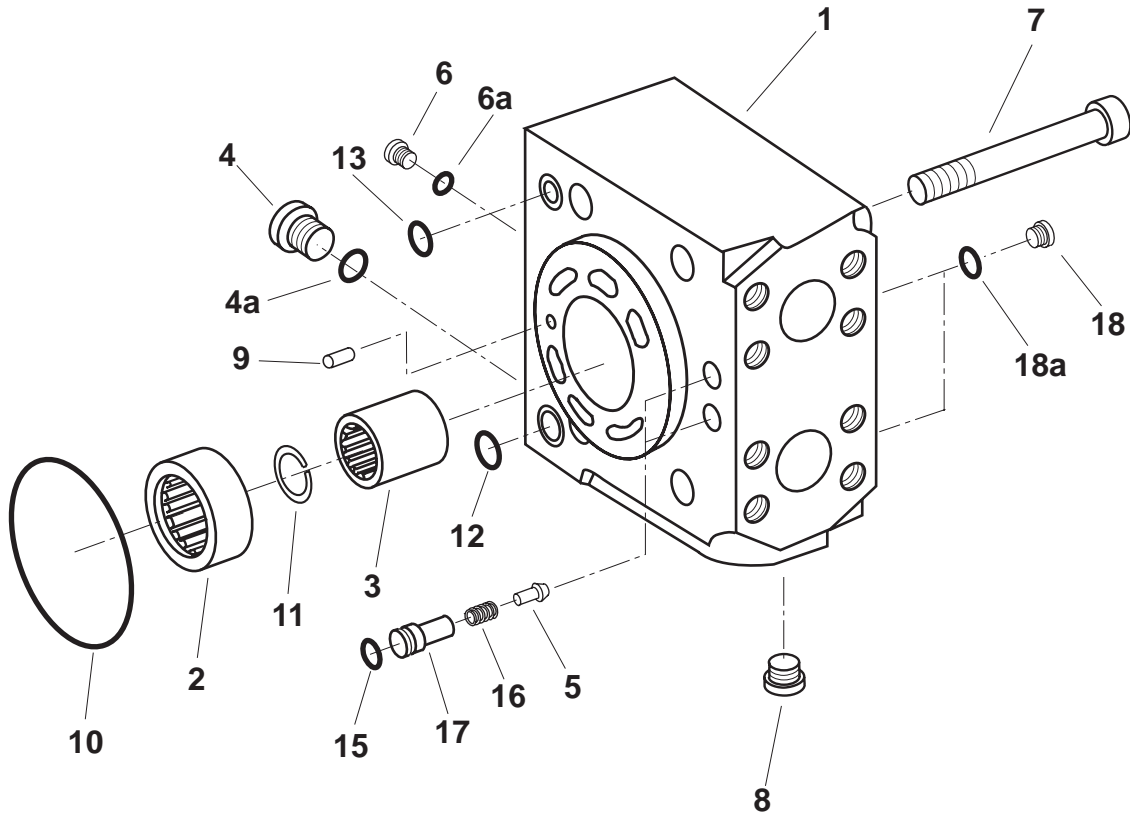
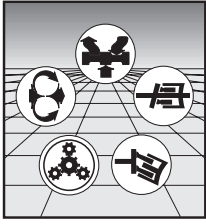
Assembly Number  
**5460-574-003**

Item	Description	Qty	Part Number	
1	Rod	1	H403558	
2	Piston	1	H425109	
3	Spring Collar with Bushing	4	H403568	
4	Spacer Bushing	1	H403569	
4	Spacer Bushing	0	H403570	
4	Spacer Bushing	0	H403571	
5	Spring	2	H403573	
6	Spring	2	H418168	
7	Retaining Ring (75 x 2.5 DIN 472)	2	71128-055	
8	Keeper (Set .226")	2	H403561	X
8	Keeper (Set .228")	0	H403562	X
8	Keeper (Set .230")	0	H403563	X
8	Keeper (Set .232")	0	H403564	X
8	Keeper (Set .234")	0	H403565	X
8	Keeper (Set .236")	0	H403566	X
9	Retainer Ring	2	H403567	
10	O-Ring (90 Duro Buna PRP-113)	1	68104-113	*

\* Contained in Buna Seal Kit 5460-635-006

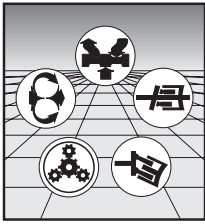
X Choose the Correct Keeper to set Retaining Plate Position

**Back to Index**



Assembly Number  
**5460-430-007**

**Back to Index**



# REXROTH CORPORATION

## MOBILE HYDRAULICS DIVISION

Assembly Number  
**5460-430-007**

Item	Description	Qty	Part Number	
1	Port Block Housing	1	5460-430-006	
2	Rear Shaft Bearing	1	H156114	
3	Charge Pump Coupling	1	H412393	
4	Plug (SAE 1 5/16 -12 UNF)	1	76107-016	
4a	O-Ring (90 Duro Buna Tube PRP-916)	1	68105-916	*■
5	P.O.R. Check Valve Poppet	2	H154215	
6	Plug (SAE 7/16-20)	1	76107-004	
6a	O-Ring (90 Duro Buna Tube PRP-904)	1	68105-904	*□
7	Cap Screw (M24 x 130 DIN 912-8.8)	4	60118-291	
8	Plug (M12 x 1.5 DIN 3852)	1	76116-002	
9	Dowell Pin (M5 x 12 DIN-6325)	1	69116-006	
10	O-Ring (70 Duro Buna PRP-259)	1	68101-259	*
11	Ext. Retaining Ring (DIN-7993)	1	71129-016	
12	O-Ring (70 Duro PRP-024)	1	68101-024	*
13	O-Ring (70 Duro PRP-018)	1	68101-018	*
14	O-Ring (90 Duro Buna Tube PRP-904)	3	68105-904	*
15	O-Ring (70 Duro Buna PRP-108)	2	68101-108	*
16	Spring	2	H002466	
17	Poppet Guide	2	H403536	
18	Plug (SAE 9/16-18)	2	76107-006	
18a	O-Ring (90 Duro Buna Tube PRP-906)	2	68105-906	*▲

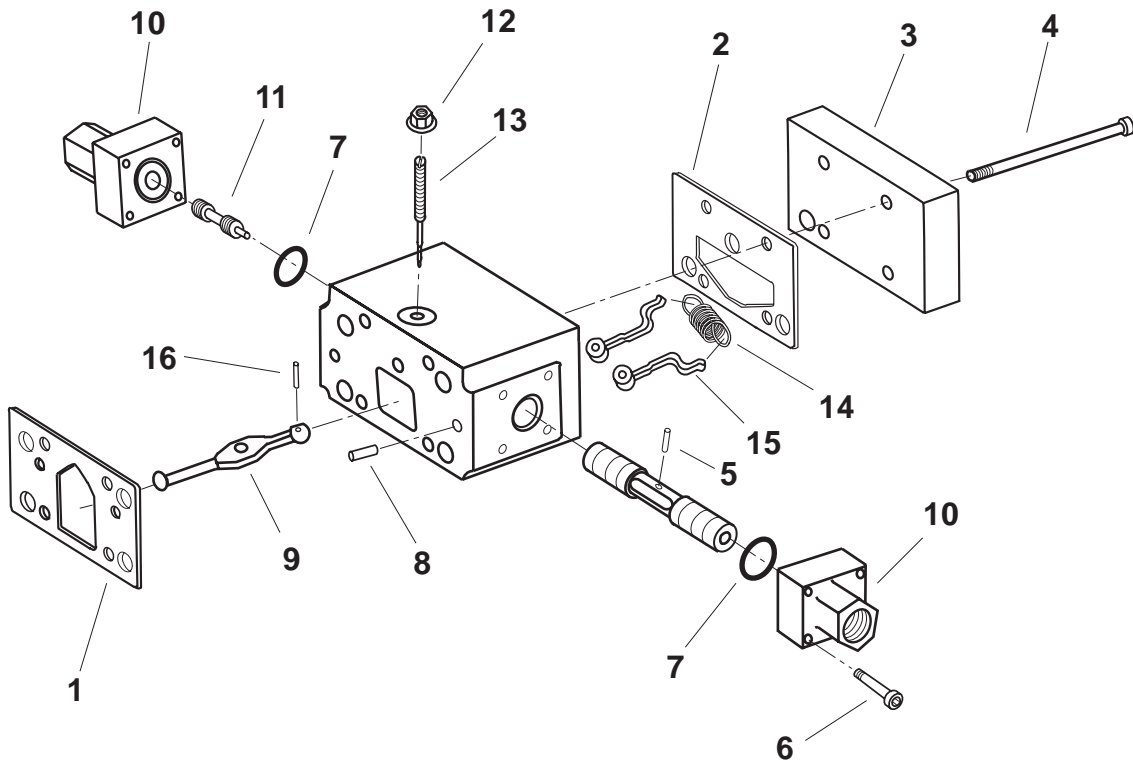
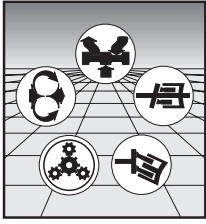
\* Contained in Seal Kit 5460-635-006

■ Included with 76107-916

□ Included with 76107-904

▲ Included with 76107-906

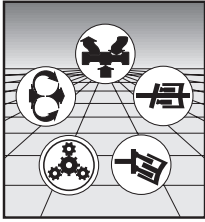
[Back to Index](#)



Assembly Number  
**5461-552-001**

**Back to Index**





# REXROTH CORPORATION

## MOBILE HYDRAULICS DIVISION

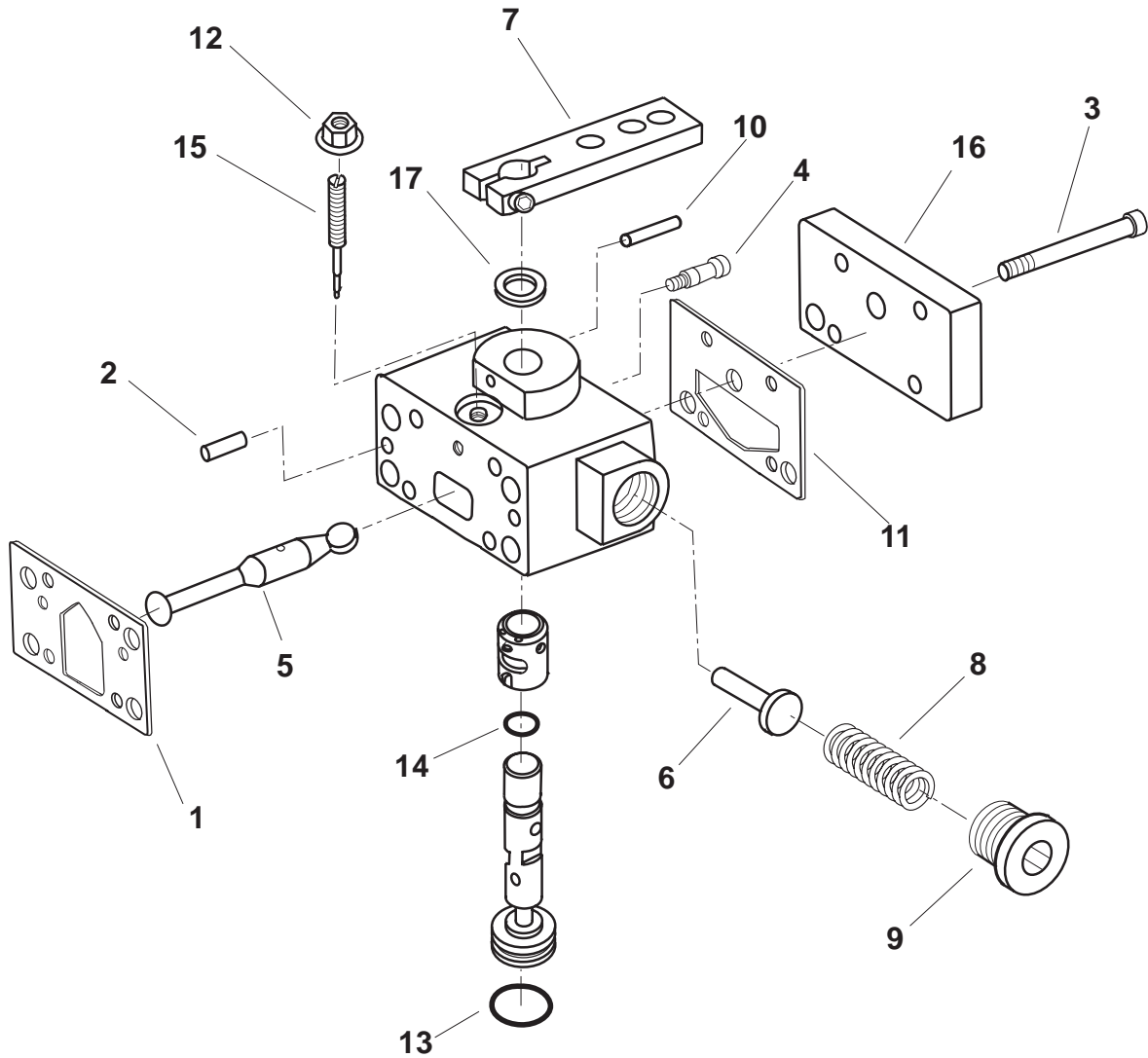
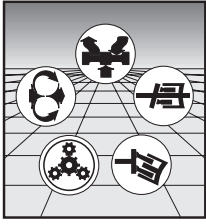
Assembly Number  
**5461-552-001**

Item	Description	Qty	Part Number	
1	Control Module Gasket	1	H419242	*
2	Control Module Gasket	1	H419279	*
3	Rear Control Cover	1	H417780	❖
4	Cap Screw (M8 x 110 DIN 912-8.8)	4	60118-098	❖
5	Dowel Pin (M4 x 14 DIN 6325)	1	69116-010	
6	Cap Screw (M6 x 16 DIN 912-8.8)	8	60118-056	
7	O-Ring (90 Duro Buna PRP-018)	2	68104-119	*
8	Dowell Pin (8 x 18 mm DIN 6325)	2	69116-012	
9	Feed Back Lever	1	H403584	
10	Cover	2	H417551	
11	Piston	2	H408819	
12	Seal Nut (M8)	1	65110-004	*
13	Eccentric	1	H408818	
14	Feedback Spring	1	H439290	
15	Lever	2	H415653	
16	Pin (4 x 19.8 mm DIN 5402)	1	H153336	

\* Contained in Buna Seal Kit 5460-635-006

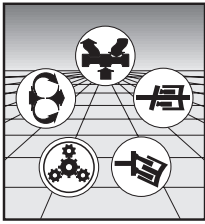
❖ These parts are not used with POR. Use bolts listed with POR Assembly.

**Back to Index**



Assembly Number  
**5462-552-001**

**Back to Index**



# REXROTH CORPORATION

## MOBILE HYDRAULICS DIVISION

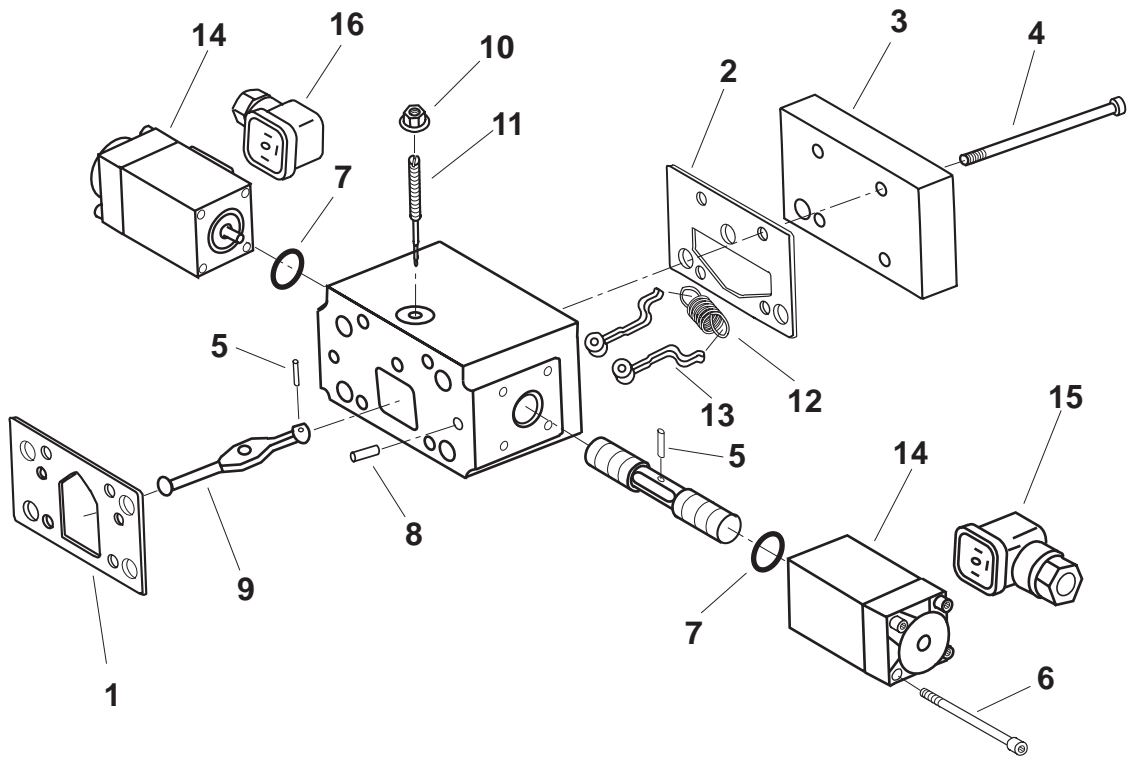
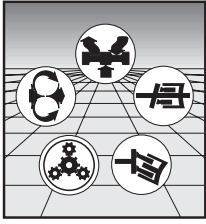
Assembly Number  
**5462-552-001**

Item	Description	Qty	Part Number	
1	Control Module Gasket	1	H419242	*
2	Dowell Pin (8 x 18 mm DIN 6325)	2	69116-011	
3	Cap Screw (M8 x 100 DIN 912-8.8)	4	60118-097	❖
4	Pin	1	H425169	
5	Feed Back Lever	1	H403597	
6	Push Pin	2	H403598	
7	Lever	1	H400523	
8	Spring	2	H419819	
9	Plug (M20 x 1.5)	2	76116-011	
10	Dowell Pin (4 x 20 mm DIN 6325)	1	69116-012	
11	Control Module Gasket	1	H419279	*
12	Seal Nut (M8)	1	65110-004	*
13	O-Ring (70 Duro Buna PRP-121)	1	68101-121	*
14	O-Ring (70 Duro Buna PRP-013)	1	68101-013	*
15	Eccentric	1	H408818	
16	Rear Control Cover	1	H417780	
17	Shim (14 x 20 x 1 DIN 988)	1	H153380	

\* Contained in Buna Seal Kit 5460-635-006

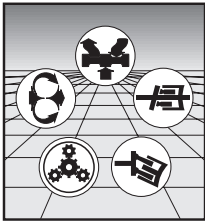
❖ These bolts are not used with POR. Use bolts listed with POR Assembly.

**Back to Index**



Assembly Number  
**5463-552-001**

[Back to Index](#)



# REXROTH CORPORATION

## MOBILE HYDRAULICS DIVISION

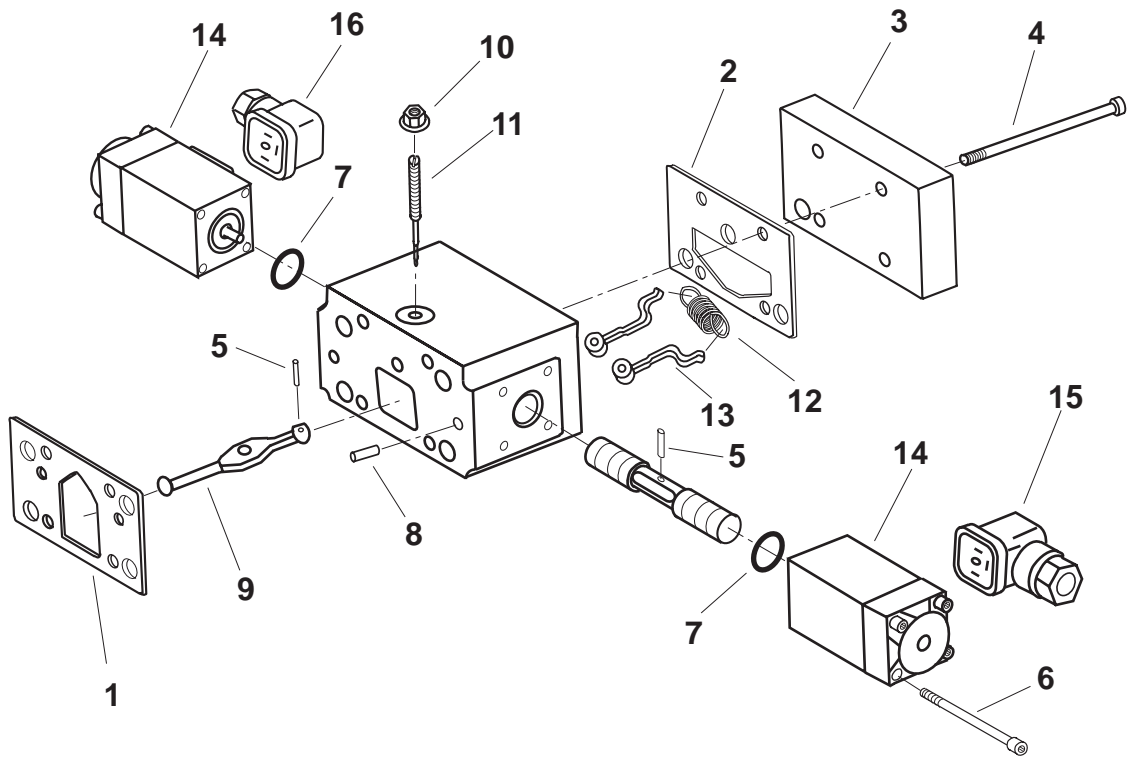
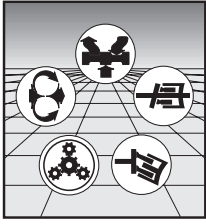
Assembly Number  
**5463-552-001**

Item	Description	Qty	Part Number	
1	Control Module Gasket	1	H419242	*
2	Control Module Gasket	1	H419279	*
3	Rear Control Cover	1	H417780	
4	Cap Screw (M6 x 90 DIN 912-8.8)	4	60118-098	◆
5	Pin	1	H153336	
6	Cap Screw (M4 x 70 DIN 912-8.8)	8	60118-341	
7	O-Ring (90 Duro Buna PRP-119)	2	68104-119	*
8	Dowell Pin (8 x 18 mm DIN 6325)	2	69116-011	
9	Feed Back Lever	1	H403584	
10	Seal Nut (M8)	1	65110-004	*
11	Eccentric	1	H408818	
12	Feedback Spring	1	H415287	
13	Lever	2	H415653	
14	Pin (4 x 14 mm DIN 6325)	1	69116-010	
15	Proportional Solenoid (24 Volt)	2	5463-580-001	
16	Hershman Connector (Gray)	1	5400-085-001	
17	Hershman Connector (Black)	1	5400-085-002	

\* Contained in Buna Seal Kit 5460-635-006

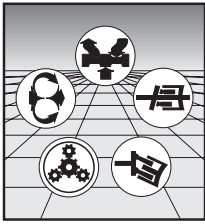
◆ These bolts are not used with POR. Use bolts listed with POR Assembly.

**Back to Index**



Assembly Number  
**5463-552-002**

[Back to Index](#)



# REXROTH CORPORATION

## MOBILE HYDRAULICS DIVISION

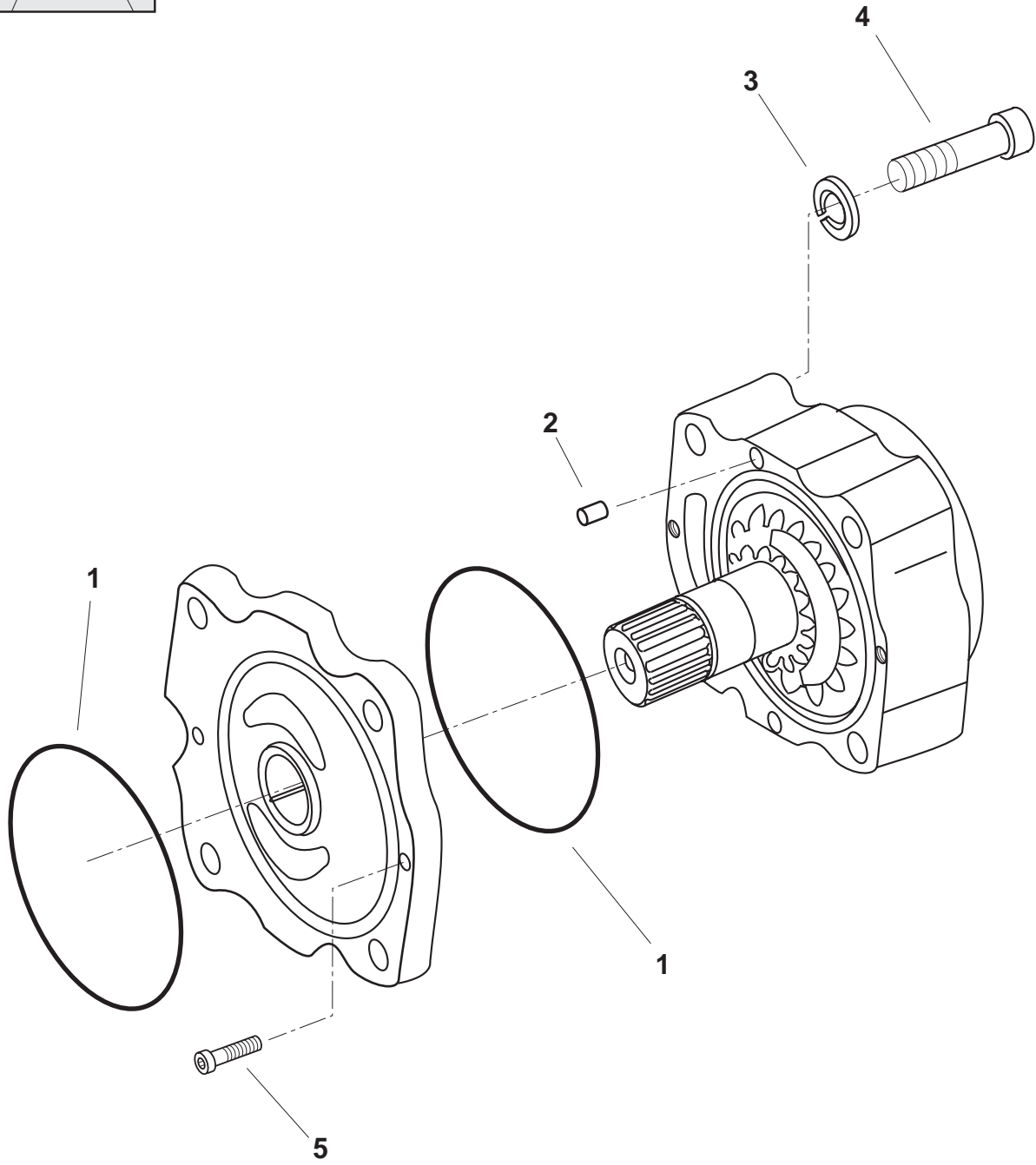
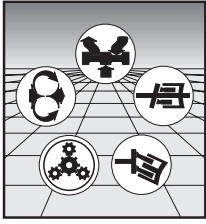
Assembly Number  
**5463-552-002**

Item	Description	Qty	Part Number	
1	Control Module Gasket	1	H419242	*
2	Control Module Gasket	1	H419279	*
3	Rear Control Cover	1	H417780	
4	Cap Screw (M6 x 90 DIN 912-8.8)	4	60118-098	❖
5	Pin	1	H153336	
6	Cap Screw (M4 x 70 DIN 912-8.8)	8	60118-341	
7	O-Ring (90 Duro Buna PRP-119)	2	68104-119	*
8	Dowell Pin (8 x 18 mm DIN 6325)	2	69116-011	
9	Feed Back Lever	1	H403584	
10	Seal Nut (M8)	1	65110-004	*
11	Eccentric	1	H408818	
12	Feedback Spring	1	H415287	
13	Lever	2	H415653	
14	Pin (4 x 14 mm DIN 6325)	1	69116-010	
15	Proportional Solenoid (12 Volt)	2	5463-580-002	
16	Hershman Connector (Gray)	1	5400-085-001	
17	Hershman Connector (Black)	1	5400-085-002	

\* Contained in Buna Seal Kit 5460-635-006

❖ These bolts are not used with POR. Use bolts listed with POR ass'y.

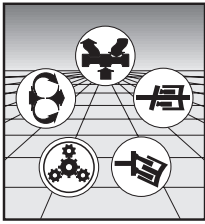
**Back to Index**



Assembly Number  
**5460-430-001**

**Back to Index**





# REXROTH CORPORATION

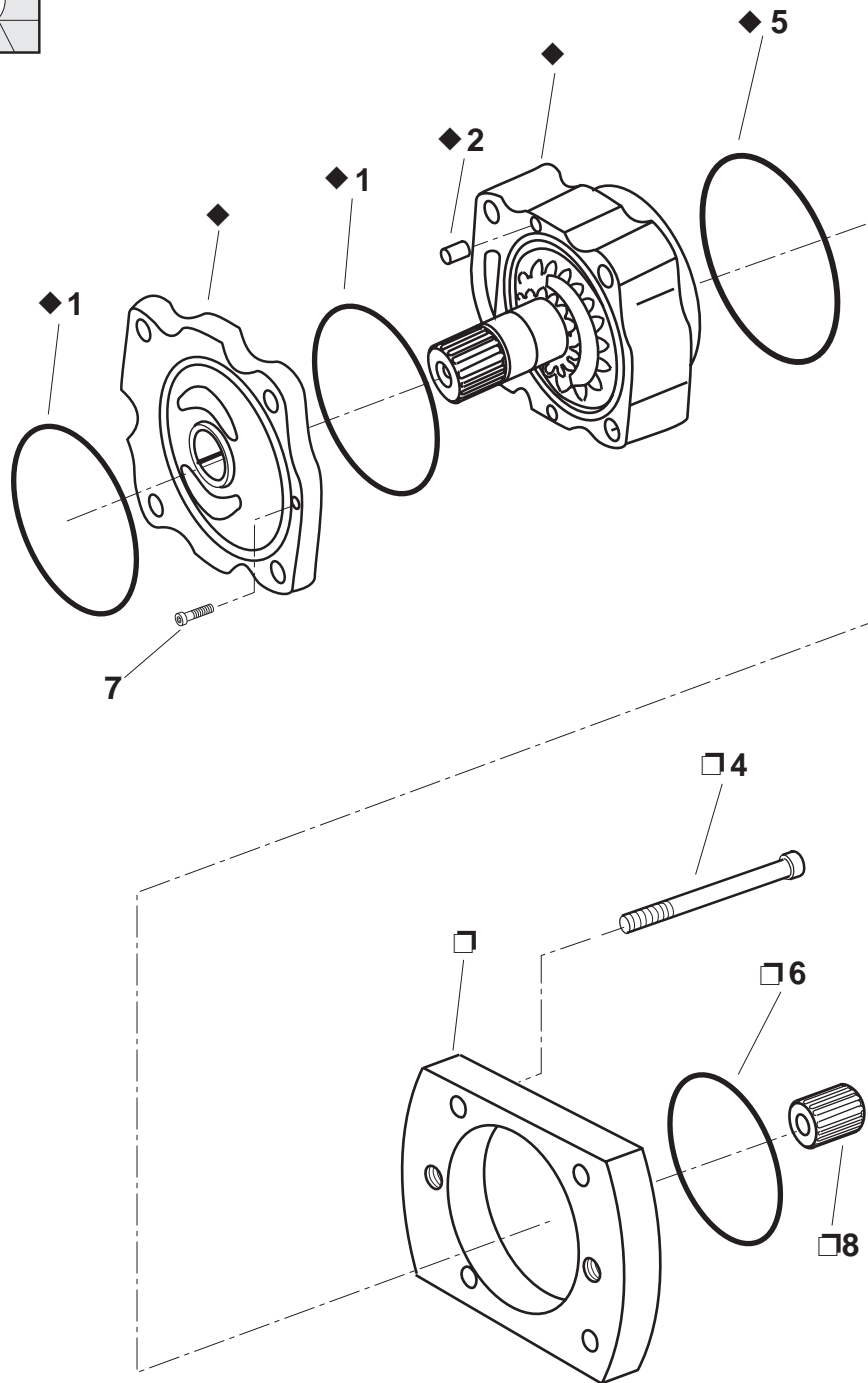
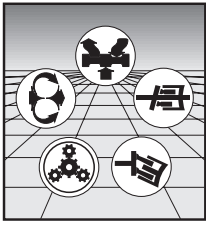
## MOBILE HYDRAULICS DIVISION

Assembly Number  
**5460-430-001**

Item	Description	Qty	Part Number	
1	O-Ring (90 Duro Buna PRP-155)	2	68104-155	*
2	Dowel Pin (M6 x 12 DIN 7)	1	69115-004	
3	Lock Washer (M12 DIN 7980)	4	61116-003	
4	Cap Screw (M12 x 70 DIN 912- 8.8)	4	60118-147	
5	Cap Screw (M5 x 20 DIN 912-8.8)	2	60118-037	

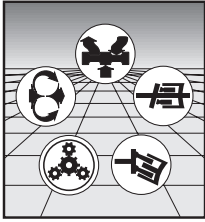
\* Contained in Buna Seal Kit 5460-635-006

[Back to Index](#)



Assembly Number  
**5460-635-003**

**Back to Index**



# REXROTH CORPORATION

## MOBILE HYDRAULICS DIVISION

Assembly Number  
**5460-635-003**

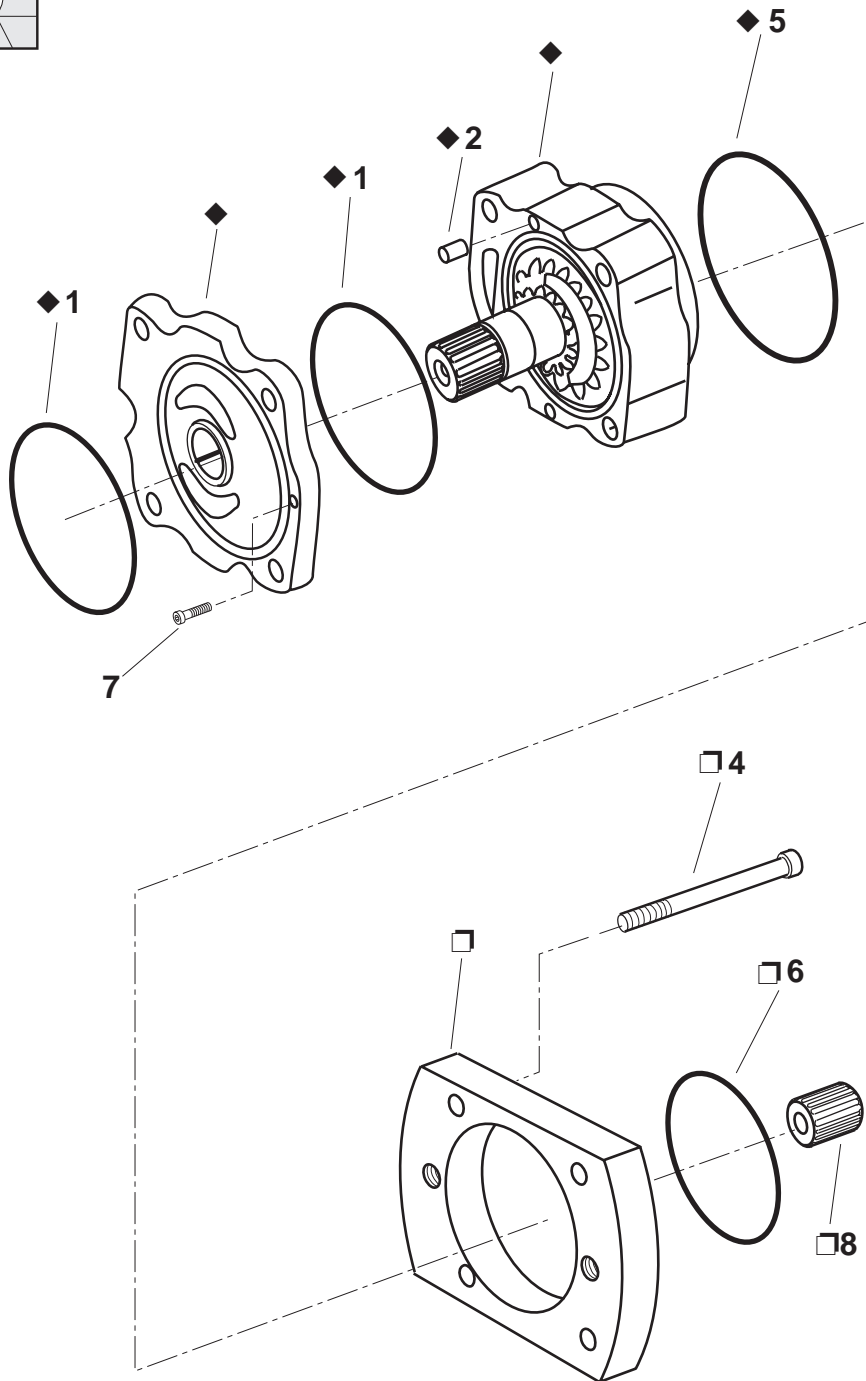
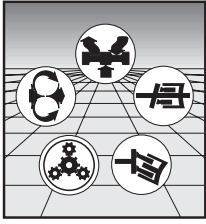
Item	Description	Qty	Part Number	
1	O-Ring (90 Duro Buna PRP-155)	2	68104-155	*
2	Dowell Pin (6 x 10 mm DIN 7)	2	69115-003	
3	Retaining Ring	1	71129-005	
4	Cap Screw (M12 x 90 DIN 912-8.8)	4	60118-151	
5	O-Ring (70 Duro Buna PRP-155)	1	68101-155	
6	O-Ring (70 Duro Buna PRP-042)	1	68101-042	*
7	Screw (M5 x 20 DIN 912-8.8)	2	60118-037	
8	Coupling Splined (SAE "A")	1	H408219	

\* Contained in Buna Seal Kit 5460-635-006

◆ These Parts included in 5460-430-002

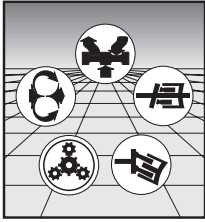
□ These Parts included in 5460-635-010

**Back to Index**



Assembly Number  
**5460-635-002**

**Back to Index**



# REXROTH CORPORATION

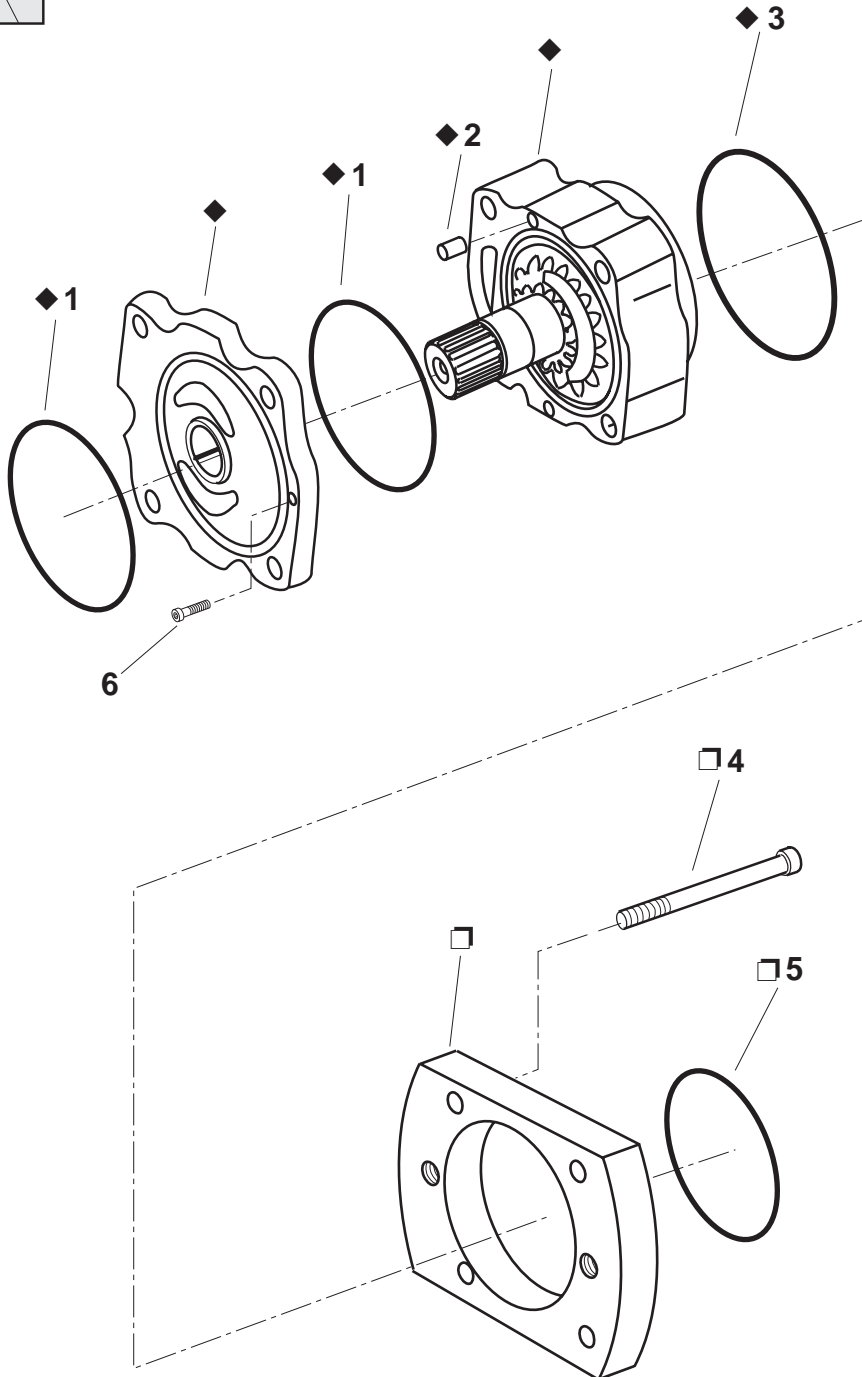
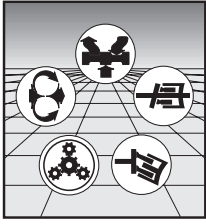
## MOBILE HYDRAULICS DIVISION

Assembly Number  
**5460-635-002**

Item	Description	Qty	Part Number	
1	O-Ring (90 Duro Buna PRP-155)	2	68104-155	*
2	Dowell Pin (6 x 10 mm DIN 7)	2	69115-003	
5	O-Ring (70 Duro Buna PRP-045)	1	68101-045	*
4	Cap Screw (M12 x 75 DIN 912-8.8)	4	60118-148	
6	O-Ring (70 Duro Buna PRP-155)	1	68101-155	*
7	Screw (M5 x 20 DIN-8.8)	2	60118-037	
8	Coupling Splined (SAE "B")	1	H410931	

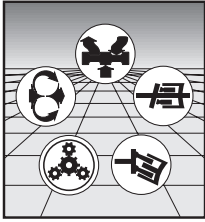
- \* Contained in Buna Seal Kit 5460-635-006
- ◆ These Parts included in 5460-430-002
- These Parts included in 5460-635-009

**Back to Index**



Assembly Number  
**5460-635-001**

**Back to Index**



# REXROTH CORPORATION

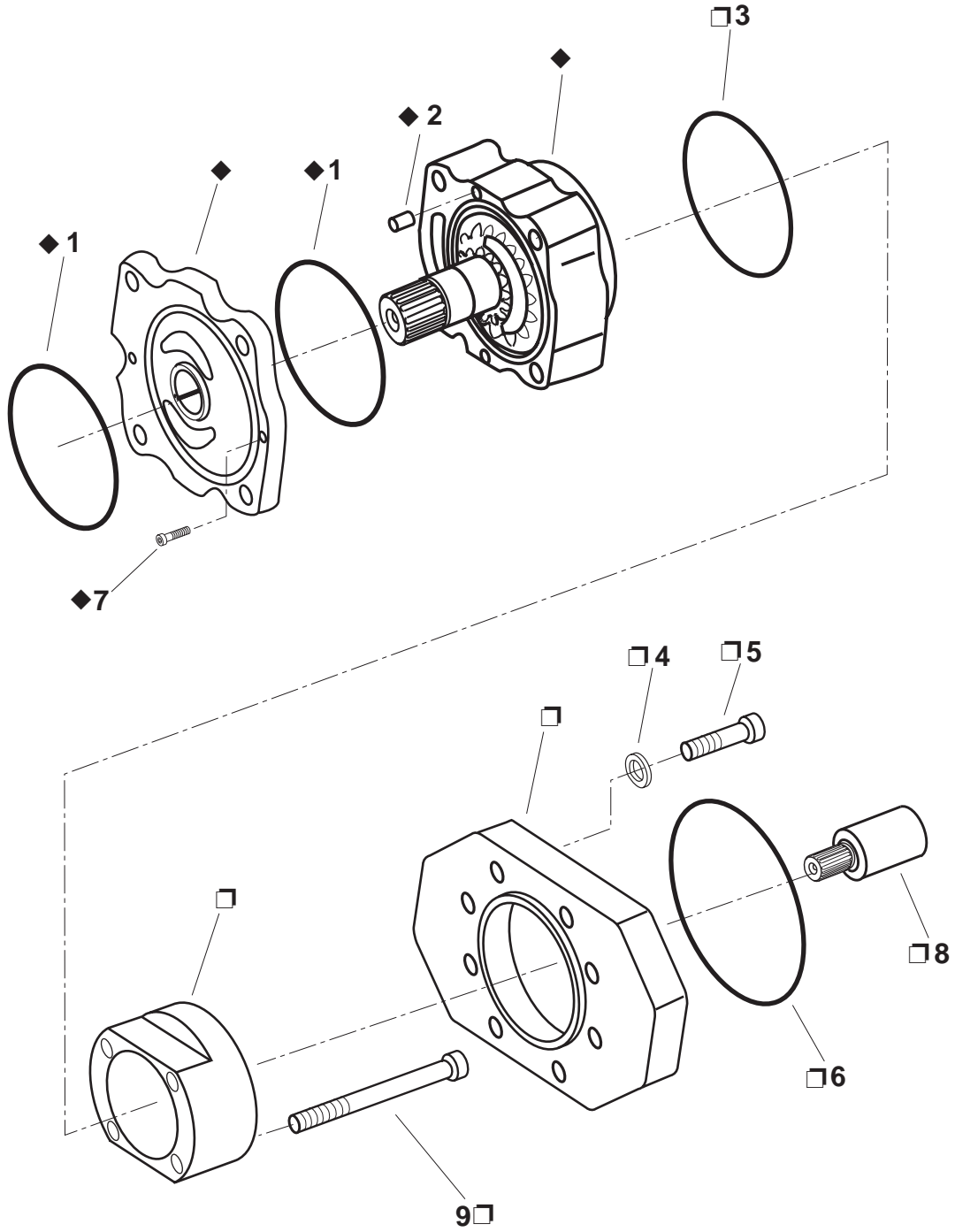
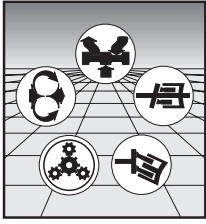
## MOBILE HYDRAULICS DIVISION

Assembly Number  
**5460-635-001**

Item	Description	Qty	Part Number	
1	O-Ring (90 Duro Buna PRP-155)	2	68104-155	*
2	Dowell Pin (6 x 10 mm DIN 6325)	2	69115-003	
3	O-Ring (90 Duro Buna PRP-045)	1	68104-045	*
4	Cap Screw (M12 x 75 DIN 912-8.8)	4	60118-148	
5	O-Ring (70 Duro Buna PRP-045)	1	68101-045	*
6	Screw (M5 x 20 DIN-8.8)	2	60118-037	

- \* Contained in Buna Seal Kit 5460-635-006
- ◆ These Parts included in 5460-430-003
- These Parts included in 5460-635-011

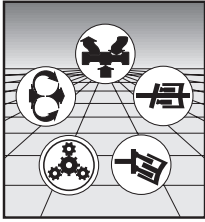
**Back to Index**



Assembly Number  
**5460-635-004**

**Back to Index**





# REXROTH CORPORATION

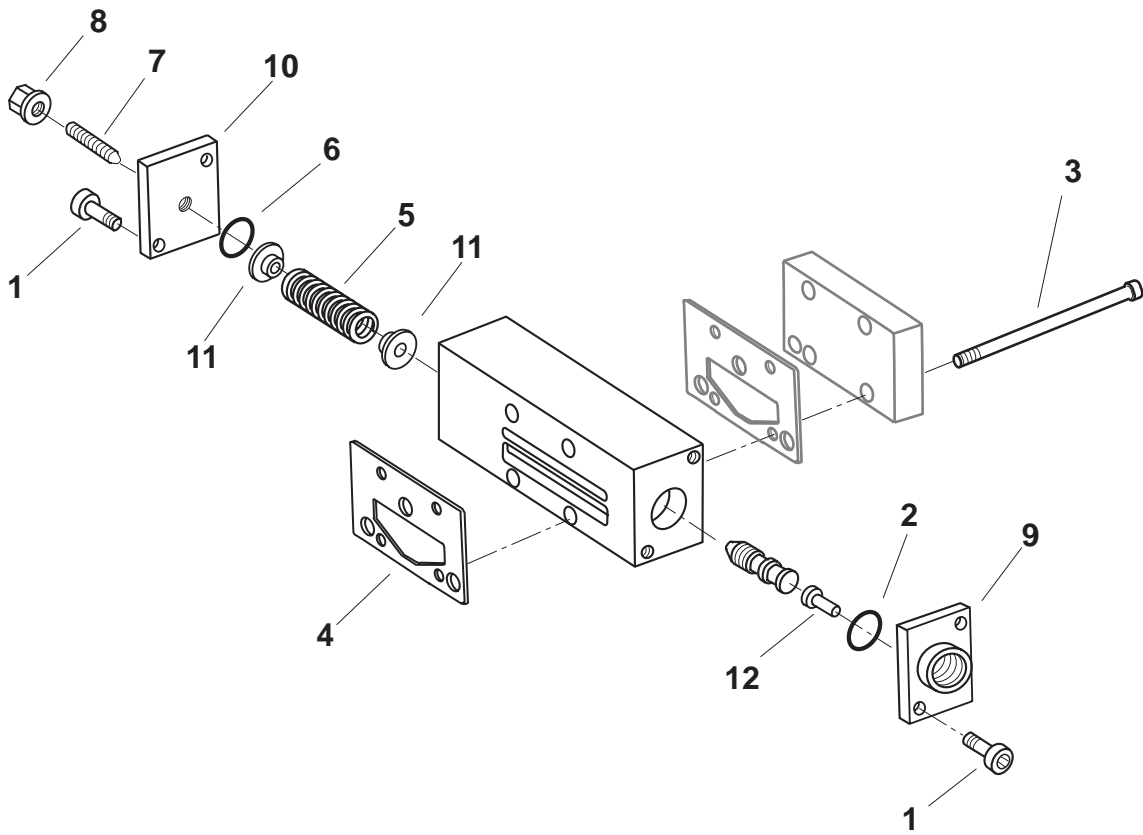
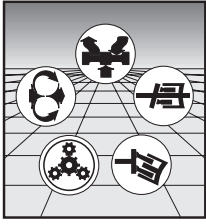
## MOBILE HYDRAULICS DIVISION

Assembly Number  
**5460-635-004**

Item	Description	Qty	Part Number	
1	O-Ring (90 Duro Buna PRP-155)	2	68104-155	*
2	Dowell Pin (6 x 10 mm DIN 7)	2	69115-003	
3	O-Ring (70 Duro Buna PRP-155)	1	68101-155	*
4	Lock Washer (M8 DIN 7890)	8	61116-003	
5	Cap Screw (M8 x 25 DIN 912-10.9)	8	60119-080	
6	O-Ring (70 Duro Buna PRP-159)	1	68101-159	*
7	Cap Screw (M12 x 100 DIN 912-10.9)	4	60119-148	
8	Coupling Splined (SAE "C")	1	H417918	
9	Cap Screw (M5 x 20 DIN 912-8.8)	2	60118-037	

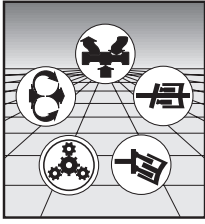
- \* Contained in Buna Seal Kit 5460-635-006
- ◆ These Parts included in 5460-430-002
- These Parts included in 5460-635-012

**Back to Index**



Assembly Number  
**5460-635-005**

**Back to Index**



# REXROTH CORPORATION

## MOBILE HYDRAULICS DIVISION

Assembly Number  
**5460-635-005**

Item	Description	Qty	Part Number	
1	Cap Screw (M5 x 12 DIN 912-8.8)	4	60118-033	
2	O-Ring (70 Duro Buna PRP-017)	1	68101-017	*
3	Cap Screw (M6 x 120 DIN 912-8.8)	4	60118-101	
4	Control Module Gasket	1	H419242	*
5	Spring	1	H420972	
6	O-Ring (70 Duro Buna PRP-016)	1	68101-016	*
7	Adjusting Screw (M6 x 35 DIN 914-10.9)	1	60136-047	
8	Seal Nut (M6)	1	65110-003	*
9	Cover	1	H404572	
10	Cover	1	H404507	
11	Spring Retainer	2	H420971	
12	Piston	1	H420969	

\* Contained in Buna Seal Kit 5460-635-006

[Back to Index](#)

## Variable Pump AA4V, Series 2

**Specifications, descriptions, and illustrative material shown herein were as accurate as know at the time this publication was printed. Rexroth reserves the right to discontinue models or options at any time or to change specifications, materials, or designs without notice and without incurring obligation.**

DISTRIBUTED BY: