

Spare parts list

Product Unit
Axial Piston Units

Part No.: R909429016

Designation: AA4V90HW1R3G2E11-S

G

Drawing no.: R909706750

| Pos. | Part No. | Designation | Quantity | |
|------|------------|----------------------------|----------|----|
| 1 | R909424578 | ROTARY GROUP | 1 ST | L |
| 2 | R909414469 | HYDRAULIC CONTROL | 1 ST | L |
| 3 | R909418441 | PORT PLATE WITH VALVES | 1 ST | L |
| 4 | R909403698 | INTERNAL GEAR PUMP | 1 ST | L |
| 6 | R909420961 | CONTROL MODULE | 1 ST | L |
| 7 | R909414719 | CONTROL CARTRIDGE | 1 ST | LD |
| 9 | R909408042 | PUMP SUPPORT PLATE | 1 ST | L |
| 10 | R909405950 | HOUSING WITH BUSH | 1 ST | L |
| 11 | R909401635 | FLANGE | 1 ST | |
| 12 | R909414046 | CONNECTING AGAINST TORSION | 1 ST | |
| 12 | R909414045 | CONNECTING AGAINST TORSION | 1 ST | |
| 13 | R909405758 | ECCENTRIC SCREW | 1 ST | |
| 14 | R909400356 | PIPE WITH ACCESORIES | 1 ST | L |
| 15 | R909074171 | SLIDE RING | 1 ST | |
| 16 | R909405786 | HOLLOW SCREW | 1 ST | |
| 20 | R909154480 | LOCKING SCREW | 1 ST | D |
| 21 | R909154478 | LOCKING SCREW | 5 ST | D |
| 24 | R909086731 | O-RING | 1 ST | D |
| 25 | R909085365 | O-RING | 1 ST | D |
| 26 | R909087405 | SEAL LOCK NUT | 1 ST | D |
| 27 | R909831318 | DOUBLE BREAK-OFF PIN | 1 ST | D |
| 29 | R909156493 | ORIFICE | 2 ST | D |
| 30 | R909083139 | SOCKET-HEAD SCREW | 4 ST | |
| 31 | R909156494 | ORIFICE | 1 ST | D |
| 40 | R909416182 | HYDRAULIC LINE | 1 ST | L |

Safety Notes:

Service – and repair works have to be carried out by the Bosch Rexroth AG or their repair stations only. We do not grant any warranty for defects due to assembly, maintenance or repair not effected by the Bosch Rexroth AG or their repair stations.

L = Assembly group D = Sealing element

Status of version: 7/2006

Page: 1

Date: 26.09.2006

Spare parts list

Product Unit
Axial Piston Units

Part No.: R909424578
Designation: ROTARY GROUP

Drawing no.: R909705094

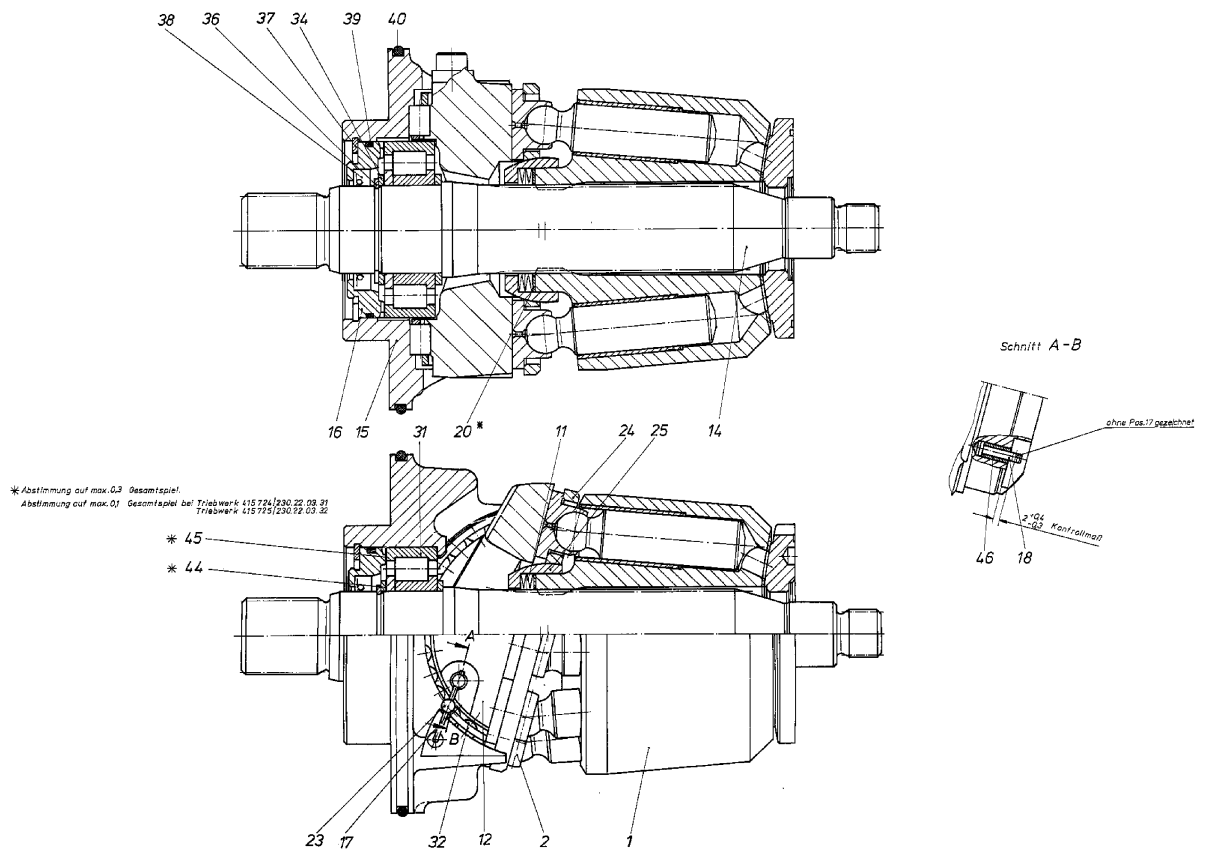
| Pos. | Part No. | Designation | Quantity | |
|------|------------|--------------------------------|----------|---|
| 1 | R909433368 | CYLINDER WITH CONTROL PLATE | 1 ST | L |
| 2 | R909443559 | PISTON-SLIPPER PAD | 9 ST | |
| 11 | R909074127 | CUP-SPRING STACK | 1 ST | |
| 12 | R909431358 | CRADLE | 1 ST | |
| 14 | R909401630 | DRIVE SHAFT | 1 ST | |
| 15 | R909080295 | BEARING FLANGE | 1 ST | |
| 16 | R909069366 | COVER | 1 ST | D |
| 17 | R909076233 | WIRE | 2 ST | |
| 18 | R909076231 | JOINT PIN | 2 ST | |
| 20 | R909080153 | SHIM | 1 ST | |
| 20 | R909412704 | SHIM | 1 ST | |
| 20 | R909412705 | SHIM | 1 ST | |
| 20 | R909080152 | SHIM | 1 ST | |
| 23 | R909401842 | ROLLER | 2 ST | |
| 24 | R909431016 | RETAINING PLATE | 1 ST | |
| 25 | R909426458 | RETAINING BALL | 1 ST | |
| 31 | R909153104 | PLAIN ROLLER BEARING | 1 ST | |
| 32 | R909154621 | CRADLE BEARING ASSEMBLY (SET) | 1 ST | |
| 34 | R909086229 | BACK-UP PLATE | 2 ST | |
| 36 | R909083362 | RETAINING RING | 1 ST | |
| 37 | R909083415 | RETAINING RING | 1 ST | |
| 38 | R909156967 | SHAFT SEAL RING | 1 ST | D |
| 39 | R909084461 | O-RING | 1 ST | D |
| 40 | R909083833 | O-RING | 1 ST | D |
| 44 | R909086231 | SHIM | 1 ST | |
| 44 | R909086230 | SHIM | 1 ST | |
| 45 | R909084587 | SHIM | 1 ST | |
| 45 | R909084586 | SHIM | 1 ST | |
| 46 | R909153928 | CLAMPING PIN | 2 ST | |

Spare parts list

Part No.: R909424578
Designation: ROTARY GROUP

Product Unit
Axial Piston Units

Drawing no.: R909705094



Spare parts list

Product Unit

Axial Piston Units

Part No.: R909433368

Designation: CYLINDER WITH CONTROL PLATE

| Pos. | Part No. | Designation | Quantity |
|------|------------|--------------------------------|----------|
| 1 | R909433318 | CYLINDER WITH BUSHING | 1 ST |
| 2 | R902010104 | CONTROL PLATE, RIGHT-HAND ROT. | 1 ST |

Spare parts list

Product Unit
Axial Piston Units

Part No.: R909414469
Designation: HYDRAULIC CONTROL

Drawing no.: R909730129

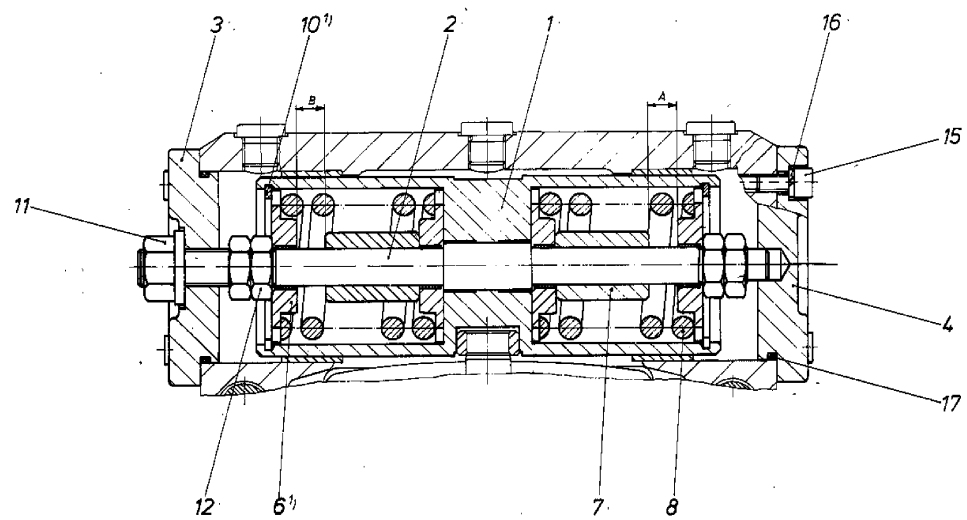
| Pos. | Part No. | Designation | Quantity | |
|------|------------|---------------------------|----------|---|
| 1 | R902002914 | POSITIONING PISTON | 1 ST | |
| 2 | R909414461 | ROD | 1 ST | |
| 3 | R909400427 | COVER | 1 ST | |
| 4 | R909414457 | COVER | 1 ST | |
| 6 | R909405998 | SPRING PLATE WITH DU-BUSH | 4 ST | |
| 7 | R909921664 | SPACER BUSH | 1 ST | |
| 7 | R909921665 | SPACER BUSH | 1 ST | |
| 7 | R909444769 | SPACER BUSH | 2 ST | |
| 7 | R909921666 | SPACER BUSH | 1 ST | |
| 7 | R909921667 | SPACER BUSH | 1 ST | |
| 8 | R909422382 | PRESSURE SPRING | 2 ST | |
| 10 | R909156215 | SEEGER-V-RING | 2 ST | |
| 11 | R909087405 | SEAL LOCK NUT | 1 ST | D |
| 12 | R909154918 | HEXAGON NUT | 4 ST | |
| 15 | R909083018 | SOCKET-HEAD SCREW | 8 ST | D |
| 16 | R909083249 | LOCK WASHER | 8 ST | |
| 17 | R909151810 | O-RING | 2 ST | D |

Spare parts list

Product Unit
Axial Piston Units

Part No.: R909414469
Designation: HYDRAULIC CONTROL

Drawing no.: R909730129



$A = 680 \pm 0,15$ $9,80 \pm 0,15$
 $B = 161 - M8/8$ $A \pm 0,025$ $0,05$
¹⁾ zulässiges Axialspiel: 0,02 bis 0,1 (zwischen Pos.10 und Pos.6)

Spare parts list

Product Unit
Axial Piston Units

Part No.: R909418441
Designation: PORT PLATE WITH VALVES

Drawing no.: R909705446

| Pos. | Part No. | Designation | Quantity | |
|------|------------|--------------------------------|----------|---|
| 1 | R902602249 | MHDBN22K2-20/520VHP-130 #150NM | 2 ST | L |
| 2 | R909427211 | PRESSURE RELIEF VALVE | 1 ST | L |
| 5 | R909418442 | PORT PLATE | 1 ST | |
| 7 | R909083141 | SOCKET-HEAD SCREW | 4 ST | |
| 8 | R909157084 | QUAD BONDET RING | 2 ST | D |
| 9 | R909083825 | O-RING | 1 ST | D |
| 11 | R909831318 | DOUBLE BREAK-OFF PIN | 1 ST | D |
| 12 | R909154478 | LOCKING SCREW | 3 ST | D |
| 17 | R909078295 | DOUBLE BREAK-OFF PIN | 1 ST | |
| 18 | R909079500 | CHECK VALVE | 2 ST | L |
| 19 | R909078306 | CLUTCH HUB | 1 ST | |
| 22 | R909153103 | PLAIN ROLLER BEARING | 1 ST | |
| 23 | R909152509 | SNAP RING | 1 ST | |
| 26 | R909153338 | LOCKING SCREW | 2 ST | D |
| 27 | R909151979 | LOCKING SCREW | 1 ST | D |
| 28 | R909087912 | LOCKING SCREW | 1 ST | D |
| 40 | R902601517 | CLAMPING PIN | 1 ST | |

Spare parts list

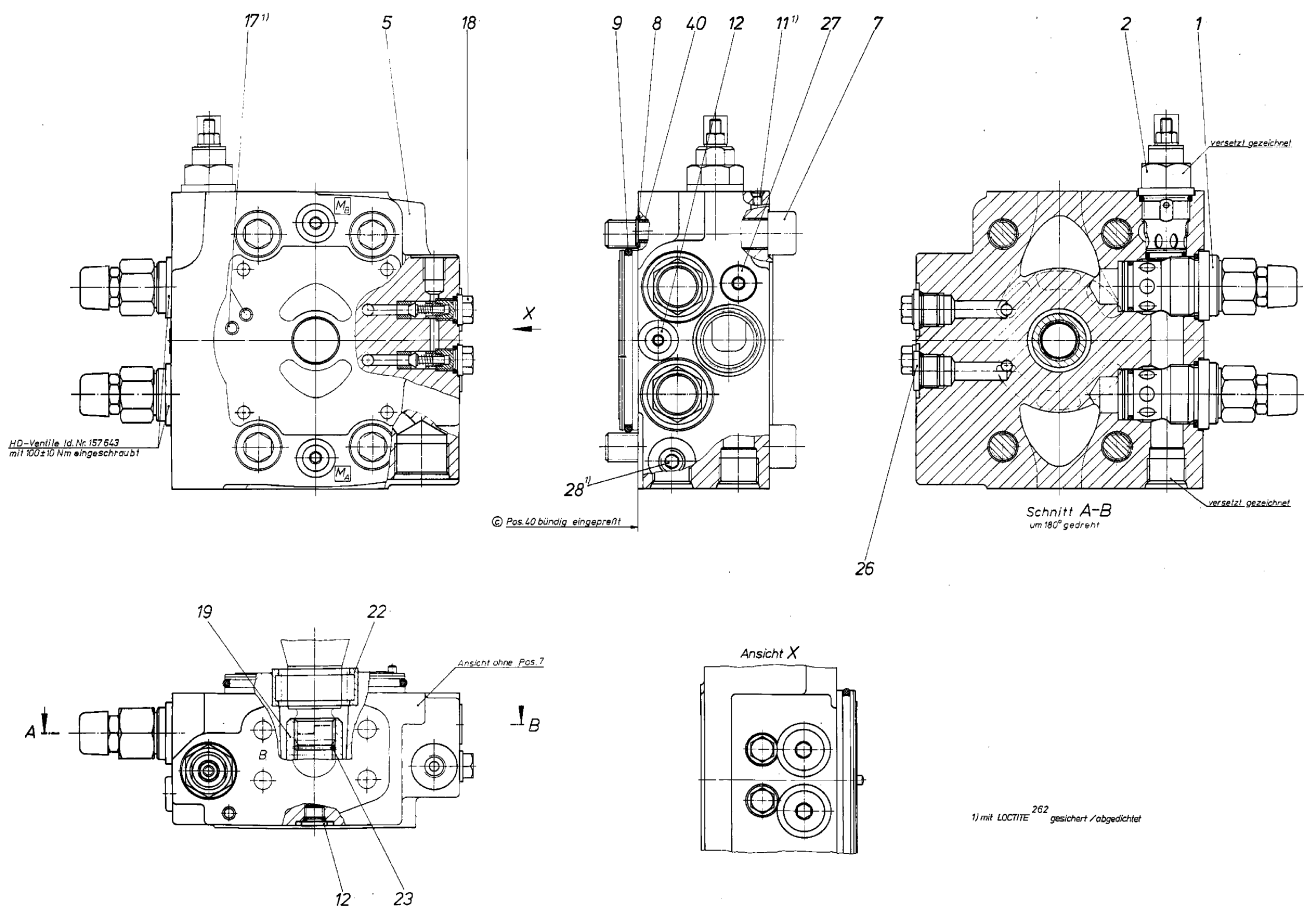
Part No.: R909418441

Designation: PORT PLATE WITH VALVES

Product Unit

Axial Piston Units

Drawing no.: R909705446



Spare parts list

Product Unit
Axial Piston Units

Part No.: R902602249

Designation: MHDBN22K2-20/520VHP-130 #150NM

| Pos. | Part No. | Designation | Quantity | |
|------|------------|-------------|----------|---|
| 1 | R961003396 | SEAL KIT | 1 ST | D |
| 2 | R902602247 | CAP | 1 ST | |

Spare parts list

Product Unit

Axial Piston Units

Part No.: R909427211

Designation: PRESSURE RELIEF VALVE

Drawing no.: R909730862

| Pos. | Part No. | Designation | Quantity | |
|------|------------|-----------------|----------|---|
| 1 | R909426513 | VALVE BUSHING | 1 ST | |
| 2 | R909426514 | VALVE PISTON | 1 ST | |
| 3 | R909435419 | LOCKING SCREW | 1 ST | |
| 4 | R909426516 | SPRING COLLAR | 2 ST | |
| 5 | R909426517 | PRESSURE SPRING | 1 ST | |
| 9 | R909154140 | THREADED PIN | 1 ST | |
| 10 | R909152425 | SEAL LOCK NUT | 1 ST | D |
| 11 | R909083757 | O-RING | 1 ST | D |
| 12 | R909083761 | O-RING | 1 ST | D |
| 13 | R909083758 | O-RING | 1 ST | D |

Spare parts list

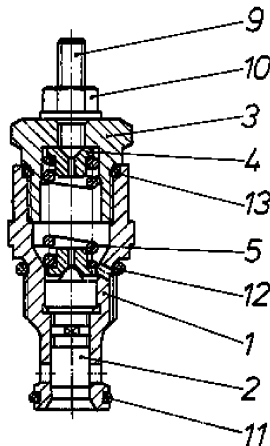
Part No.: R909427211

Designation: PRESSURE RELIEF VALVE

Product Unit

Axial Piston Units

Drawing no.: R909730862



Spare parts list

Product Unit
Axial Piston Units

Part No.: R909079500
Designation: CHECK VALVE

Drawing no.: R909731336

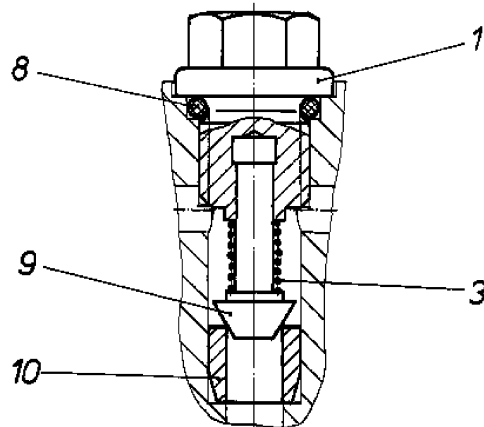
| Pos. | Part No. | Designation | Quantity | |
|------|------------|-----------------|----------|---|
| 1 | R909424595 | VALVE SCREW | 1 ST | |
| 3 | R909002466 | PRESSURE SPRING | 1 ST | |
| 8 | R909083749 | O-RING | 1 ST | D |
| 9 | R909154215 | VALVE POPPET | 1 ST | |
| 10 | R909085836 | POPPET SEAT | 1 ST | |

Spare parts list

Part No.: R909079500
Designation: CHECK VALVE

Product Unit
Axial Piston Units

Drawing no.: R909731336



Spare parts list

Product Unit

Axial Piston Units

Part No.: R909403698

Designation: INTERNAL GEAR PUMP

Drawing no.: R909723560

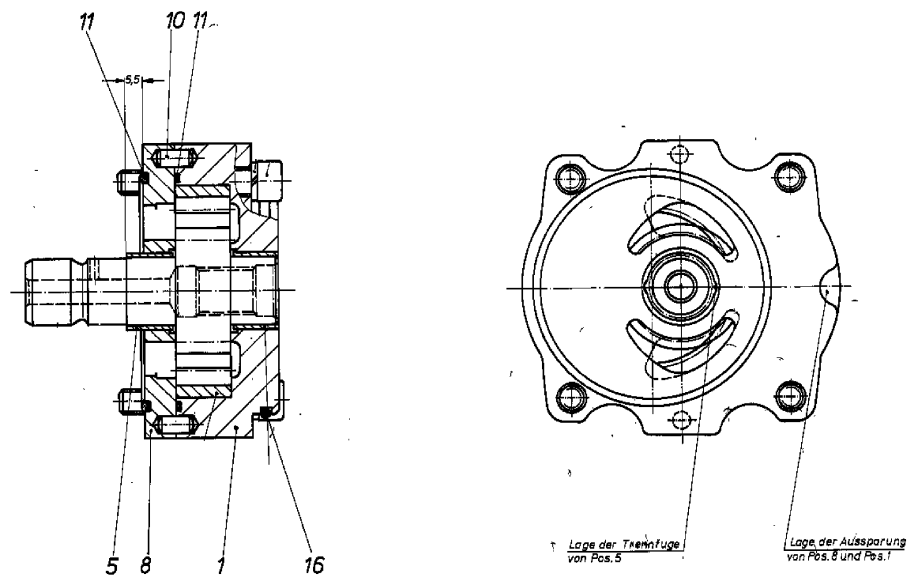
| Pos. | Part No. | Designation | Quantity | |
|------|------------|-----------------|----------|---|
| 1 | R909404508 | PUMP COVER | 1 ST | L |
| 5 | R909069490 | BEARING BUSHING | 1 ST | |
| 8 | R909079493 | SANDWICH PLATE | 1 ST | |
| 10 | R909084162 | CYLINDER PIN | 2 ST | |
| 11 | R909086720 | O-RING | 2 ST | D |
| 16 | R909085360 | O-RING | 1 ST | D |

Spare parts list

Part No.: R909403698
Designation: INTERNAL GEAR PUMP

Product Unit
Axial Piston Units

Drawing no.: R909723560



Spare parts list

Product Unit
Axial Piston Units

Part No.: R909404508
Designation: PUMP COVER

Drawing no.: R909723605

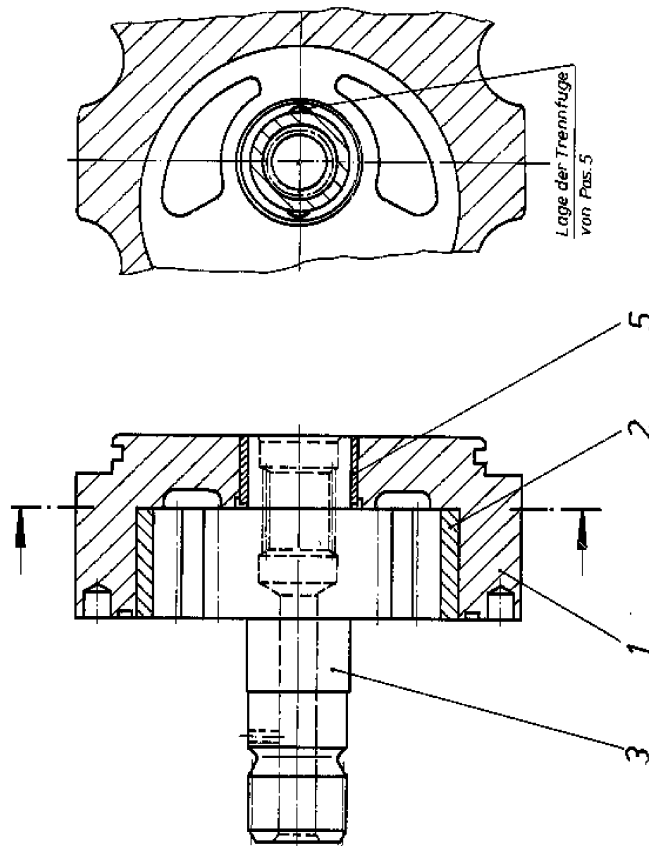
| Pos. | Part No. | Designation | Quantity |
|------|------------|-----------------|----------|
| 1 | R909080214 | PUMP COVER | 1 ST |
| 2 | R909444008 | ANNULAR GEARS | 1 ST |
| 3 | R909403699 | PINION SHAFT | 1 ST |
| 5 | R909069490 | BEARING BUSHING | 1 ST |

Spare parts list

Part No.: R909404508
Designation: PUMP COVER

Product Unit
Axial Piston Units

Drawing no.: R909723605



Spare parts list

Product Unit
Axial Piston Units

Part No.: R909420961
Designation: CONTROL MODULE

Drawing no.: R909726050

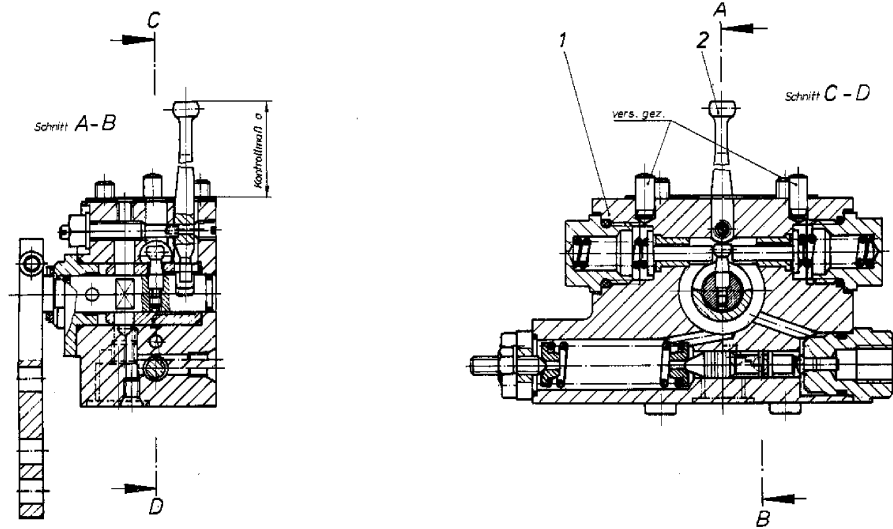
| Pos. | Part No. | Designation | Quantity | |
|------|------------|----------------|----------|---|
| 1 | R909420967 | CONTROL MODULE | 1 ST | L |
| 2 | R909431256 | FEEDBACK LEVER | 1 ST | |

Spare parts list

Product Unit
Axial Piston Units

Part No.: R909420961
Designation: CONTROL MODULE

Drawing no.: R909726050



| | | | | |
|----------|------|------|------|------|
| Baugröße | 17 | 19 | 22 | 25 |
| Maß a | 21,5 | 26,2 | 31,6 | 38,4 |

Spare parts list

Product Unit
Axial Piston Units

Part No.: R909420967
Designation: CONTROL MODULE

Drawing no.: R909726049

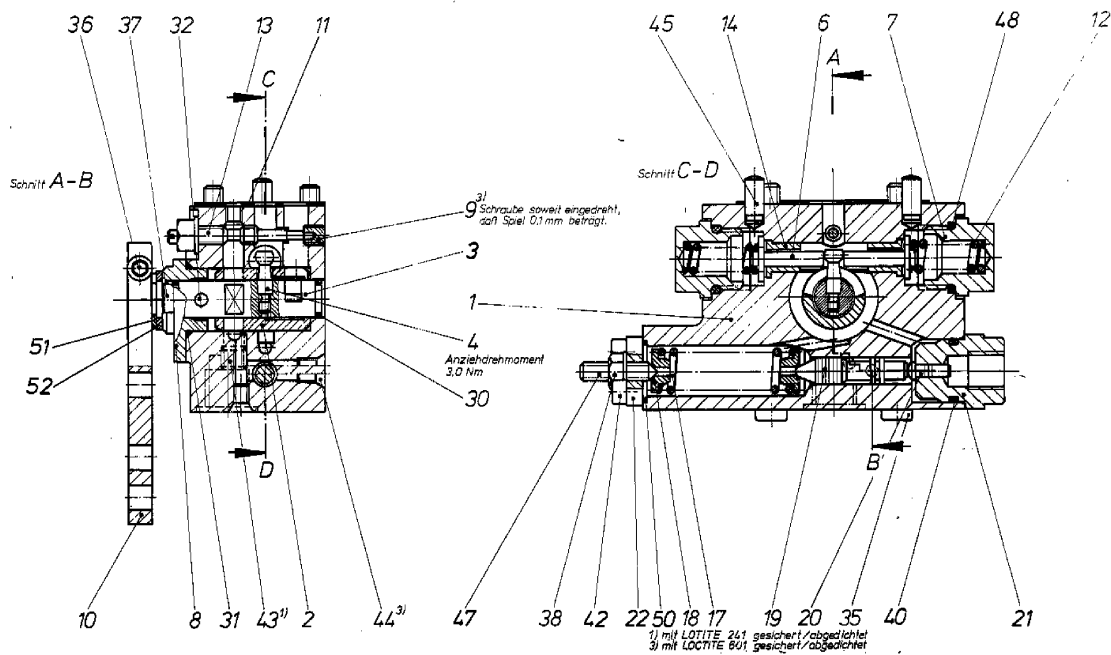
| Pos. | Part No. | Designation | Quantity | |
|------|------------|----------------------|----------|---|
| 1 | R909408291 | HOUSING | 1 ST | |
| 2 | R909439059 | CONTROL BUSH | 1 ST | |
| 3 | R909076420 | CONTROL SHAFT | 1 ST | |
| 4 | R909425121 | POSITIONING TRUNNION | 1 ST | |
| 6 | R909425120 | BOLT | 2 ST | |
| 7 | R909400335 | LOCKING SCREW | 2 ST | |
| 8 | R909436541 | COVER | 1 ST | |
| 9 | R902016196 | THREADED PIN | 1 ST | |
| 10 | R909401723 | LEVER | 1 ST | D |
| 11 | R902066611 | GASKET | 1 ST | D |
| 12 | R909416191 | PRESSURE SPRING | 2 ST | |
| 13 | R909079473 | ECCENTRIC PIN | 1 ST | |
| 14 | R909400336 | BUSH | 2 ST | |
| 17 | R909426938 | PRESSURE SPRING | 1 ST | D |
| 18 | R909420971 | SPRING COLLAR | 2 ST | |
| 19 | R909405777 | CONTROL PISTON | 1 ST | |
| 20 | R909435880 | PISTON | 1 ST | D |
| 21 | R909404572 | CONNECTING HOUSING | 1 ST | D |
| 22 | R909404507 | COVER | 1 ST | |
| 30 | R909083728 | O-RING | 2 ST | D |
| 31 | R909086432 | O-RING | 1 ST | D |
| 32 | R909156217 | NEEDLE ROLLER | 1 ST | |
| 35 | R909085700 | SOCKET-HEAD SCREW | 4 ST | D |
| 36 | R909083012 | SOCKET-HEAD SCREW | 1 ST | |
| 37 | R909083183 | SOCKET-HEAD SCREW | 2 ST | D |
| 38 | R909152425 | SEAL LOCK NUT | 2 ST | D |
| 40 | R909084939 | O-RING | 1 ST | D |
| 42 | R909083009 | SOCKET-HEAD SCREW | 4 ST | |
| 43 | R909153572 | LOCKING SCREW | 1 ST | D |
| 44 | R909831317 | DOUBLE BREAK-OFF PIN | 4 ST | D |
| 45 | R909087338 | CYLINDER PIN | 2 ST | D |
| 47 | R909157096 | THREADED PIN | 1 ST | |
| 48 | R909083757 | O-RING | 2 ST | D |
| 50 | R909083734 | O-RING | 1 ST | D |
| 51 | R909083346 | RETAINING RING | 1 ST | |
| 52 | R909086180 | SHIM | 1 ST | |

Spare parts list

Product Unit
Axial Piston Units

Part No.: R909420967
Designation: CONTROL MODULE

Drawing no.: R909726049



Spare parts list

Product Unit

Axial Piston Units

Part No.: R909414719

Designation: CONTROL CARTRIDGE

| Pos. | Part No. | Designation | Quantity | |
|------|------------|-------------------------------|----------|---|
| 1 | R902000535 | CONTROL CARTRIDGE W/O ORIFICE | 1 ST | L |
| 5 | R909446273 | ORIFICE | 1 ST | L |

Spare parts listProduct Unit
Axial Piston Units

Part No.: R902000535

Designation: CONTROL CARTRIDGE W/O ORIFICE

Drawing no.: R902115325

| Pos. | Part No. | Designation | Quantity | |
|------|------------|---------------------|----------|---|
| 1 | R909414721 | CONTROL SCREW | 1 ST | |
| 2 | R902037075 | DIFFERENTIAL PISTON | 1 ST | |
| 3 | R909922152 | CONTROLLER PIPE | 1 ST | |
| 8 | R909421327 | WASHER | 1 ST | |
| 10 | R909414047 | SPRING COLLAR | 2 ST | |
| 12 | R909408682 | PRESSURE SPRING | 1 ST | |
| 14 | R902037910 | THREADED PIN | 1 ST | |
| 16 | R909650154 | RING | 1 ST | |
| 26 | R909156476 | CIRCLIP | 1 ST | |
| 27 | R909086731 | O-RING | 1 ST | D |
| 28 | R909152707 | SEAL LOCK NUT | 1 ST | D |
| 33 | R909156498 | SEEGER-V-RING | 1 ST | |
| 34 | R909153847 | SEEGER-V-RING | 1 ST | |
| 41 | R909157287 | HEXAGON NUT | 1 ST | |

Spare parts list

Product Unit

Axial Piston Units

Part No.: R909446273

Designation: ORIFICE

| Pos. | Part No. | Designation | Quantity |
|------|------------|-------------|----------|
| 21 | R902117200 | ORIFICE | 1 ST |
| 25 | R902005292 | ORIFICE | 1 ST |
| 26 | R902005293 | ORIFICE | 1 ST |
| 27 | R902005294 | ORIFICE | 1 ST |
| 28 | R902005295 | ORIFICE | 1 ST |
| 29 | R902005296 | ORIFICE | 1 ST |
| 30 | R909412539 | ORIFICE | 1 ST |
| 31 | R909651699 | ORIFICE | 1 ST |
| 32 | R909651700 | ORIFICE | 1 ST |
| 33 | R909651701 | ORIFICE | 1 ST |
| 34 | R909651702 | ORIFICE | 1 ST |
| 35 | R909412538 | ORIFICE | 1 ST |
| 36 | R909439551 | ORIFICE | 1 ST |
| 37 | R909439552 | ORIFICE | 1 ST |
| 38 | R909439553 | ORIFICE | 1 ST |
| 39 | R909439554 | ORIFICE | 1 ST |
| 40 | R909411968 | ORIFICE | 1 ST |
| 41 | R909439555 | ORIFICE | 1 ST |
| 42 | R909426976 | ORIFICE | 1 ST |
| 43 | R909431432 | ORIFICE | 1 ST |
| 44 | R909431431 | ORIFICE | 1 ST |
| 45 | R909405865 | ORIFICE | 1 ST |
| 46 | R909435954 | ORIFICE | 1 ST |
| 47 | R909430801 | ORIFICE | 1 ST |
| 48 | R902004601 | ORIFICE | 1 ST |
| 49 | R909405866 | ORIFICE | 1 ST |
| 50 | R909439556 | ORIFICE | 1 ST |
| 51 | R909404716 | ORIFICE | 1 ST |
| 52 | R909439557 | ORIFICE | 1 ST |
| 53 | R909405867 | ORIFICE | 1 ST |
| 54 | R909439540 | ORIFICE | 1 ST |
| 55 | R909411743 | ORIFICE | 1 ST |
| 56 | R909444087 | ORIFICE | 1 ST |
| 57 | R909439558 | ORIFICE | 1 ST |
| 58 | R909418192 | ORIFICE | 1 ST |
| 59 | R909436697 | ORIFICE | 1 ST |
| 60 | R909408028 | ORIFICE | 1 ST |

Spare parts list

Product Unit

Axial Piston Units

Part No.: R909446273

Designation: ORIFICE

| | | | |
|----|------------|---------|------|
| 61 | R909439559 | ORIFICE | 1 ST |
| 62 | R909414475 | ORIFICE | 1 ST |
| 63 | R909435948 | ORIFICE | 1 ST |
| 64 | R909418666 | ORIFICE | 1 ST |
| 65 | R909413532 | ORIFICE | 1 ST |
| 66 | R909405989 | ORIFICE | 1 ST |
| 67 | R909404717 | ORIFICE | 1 ST |
| 68 | R909431899 | ORIFICE | 1 ST |
| 69 | R909432434 | ORIFICE | 1 ST |
| 70 | R909400544 | ORIFICE | 1 ST |
| 71 | R909401641 | ORIFICE | 1 ST |
| 72 | R909414233 | ORIFICE | 1 ST |
| 73 | R909420360 | ORIFICE | 1 ST |
| 74 | R909439560 | ORIFICE | 1 ST |
| 75 | R909412980 | ORIFICE | 1 ST |
| 76 | R909439561 | ORIFICE | 1 ST |
| 77 | R909410444 | ORIFICE | 1 ST |
| 78 | R909418448 | ORIFICE | 1 ST |
| 79 | R909408029 | ORIFICE | 1 ST |
| 80 | R909426448 | ORIFICE | 1 ST |
| 81 | R909439562 | ORIFICE | 1 ST |
| 82 | R909401638 | ORIFICE | 1 ST |
| 83 | R909408013 | ORIFICE | 1 ST |
| 84 | R909408030 | ORIFICE | 1 ST |
| 85 | R909410445 | ORIFICE | 1 ST |
| 86 | R909439563 | ORIFICE | 1 ST |
| 87 | R909417842 | ORIFICE | 1 ST |
| 88 | R909439564 | ORIFICE | 1 ST |
| 89 | R909439565 | ORIFICE | 1 ST |
| 90 | R909410446 | ORIFICE | 1 ST |
| 95 | R909420285 | ORIFICE | 1 ST |

Spare parts list

Product Unit

Axial Piston Units

Part No.: R909408042

Designation: PUMP SUPPORT PLATE

Drawing no.: R909732089

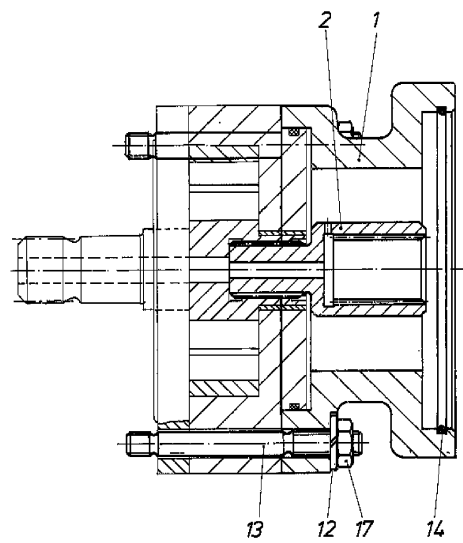
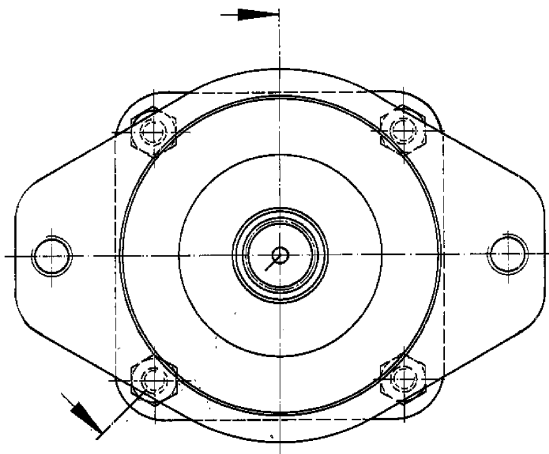
| Pos. | Part No. | Designation | Quantity | |
|------|------------|----------------|----------|---|
| 1 | R909430540 | FLANGE | 1 ST | |
| 2 | R909403695 | COUPLING PIECE | 1 ST | |
| 12 | R909083275 | SHIM | 4 ST | |
| 13 | R909154623 | STUD SCREW | 4 ST | |
| 14 | R909154589 | O-RING | 1 ST | D |
| 17 | R909083612 | HEXAGON NUT | 4 ST | |

Spare parts list

Part No.: R909408042
Designation: PUMP SUPPORT PLATE

Product Unit
Axial Piston Units

Drawing no.: R909732089



Spare parts list

Product Unit

Axial Piston Units

Part No.: R909405950

Designation: HOUSING WITH BUSH

| Pos. | Part No. | Designation | Quantity |
|------|------------|-------------|----------|
| 1 | R909401780 | HOUSING | 1 ST |
| 2 | R909405909 | BUSH | 2 ST |

Spare parts list

Product Unit
Axial Piston Units

Part No.: R909400356
Designation: PIPE WITH ACCESORIES

Drawing no.: R909731545

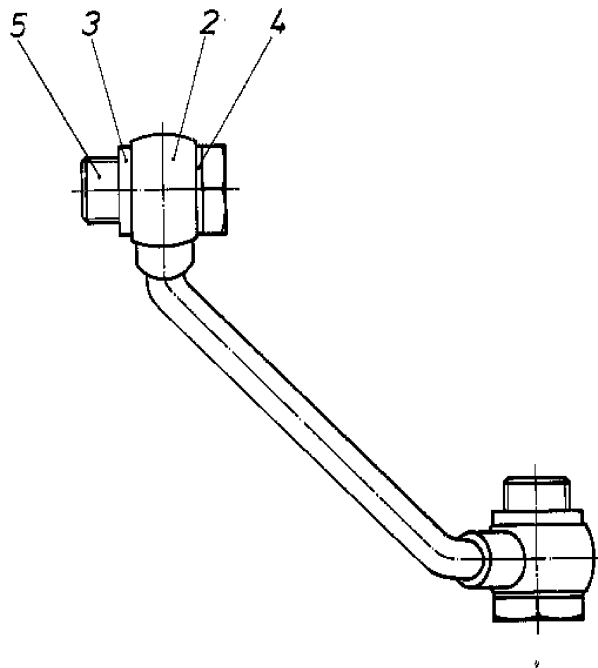
| Pos. | Part No. | Designation | Quantity | |
|------|------------|--------------------------------|----------|---|
| 2 | R909400359 | PIPE WITH WELDED RING SUPPORTS | 1 ST | |
| 3 | R909153218 | SEAL RING | 2 ST | D |
| 4 | R909084037 | SEAL RING | 2 ST | D |
| 5 | R909154383 | HOLLOW SCREW | 2 ST | |

Spare parts list

Part No.: R909400356
Designation: PIPE WITH ACCESORIES

Product Unit
Axial Piston Units

Drawing no.: R909731545



Spare parts list

Product Unit
Axial Piston Units

Part No.: R909416182
Designation: HYDRAULIC LINE

Drawing no.: R909731671

| Pos. | Part No. | Designation | Quantity |
|------|------------|-------------|----------|
| 1 | R909416181 | PIPE | 1 ST |
| 3 | R909083315 | FITTING | 1 ST |
| 4 | R909152011 | FITTING | 1 ST |

Spare parts list

Part No.: R909416182
Designation: HYDRAULIC LINE

Product Unit
Axial Piston Units

Drawing no.: R909731671

