

**MANNESMANN
REXROTH**

Mobile Division

E

Service Parts List



AA4VG

Series 32
Size 125

RA 92003-06-E
02.97

Ordering of AA4VG Parts

For Rexroth to supply the correct parts for your unit, please include all of the following information with your parts order.

TYPE CODE
TYPE NUMBER
SERIAL NUMBER
PART NUMBER
PART NAME

Due to modifications and improvements to our products, minor changes can occur to the parts, even though the type code may not necessarily reflect these changes. The type number and serial number will guarantee that the correct parts for your unit are supplied.

HYDROMATIK GMBH ULM (DONAU)		
THE REXROTH CORP., WOOSTER, OHIO		
TYPE		
AA4VG56HDD1/32R-NTC5K045E		
NO		
245.17.05.03		
SERIAL NO.	YEAR	MINERAL OIL
4154287	12.96	OIL
MADE IN GERMANY		
ROTATION		

ORDERING EXAMPLE

To order a replacement charge pump for an AA4VG hydrostatic transmission pump having the above nameplate, the following information would be required.

+ Type Code	AA4VG56HDD1/32R-NTC5K045E-S
+ Type Number	252.17.05.03
+ Serial Number	4154287
* Part Number	5421-005-015
* Part Name	Charge Pump

+ This information is taken from the nameplate on the pump.

* This information is taken from the Service Parts List.

Index

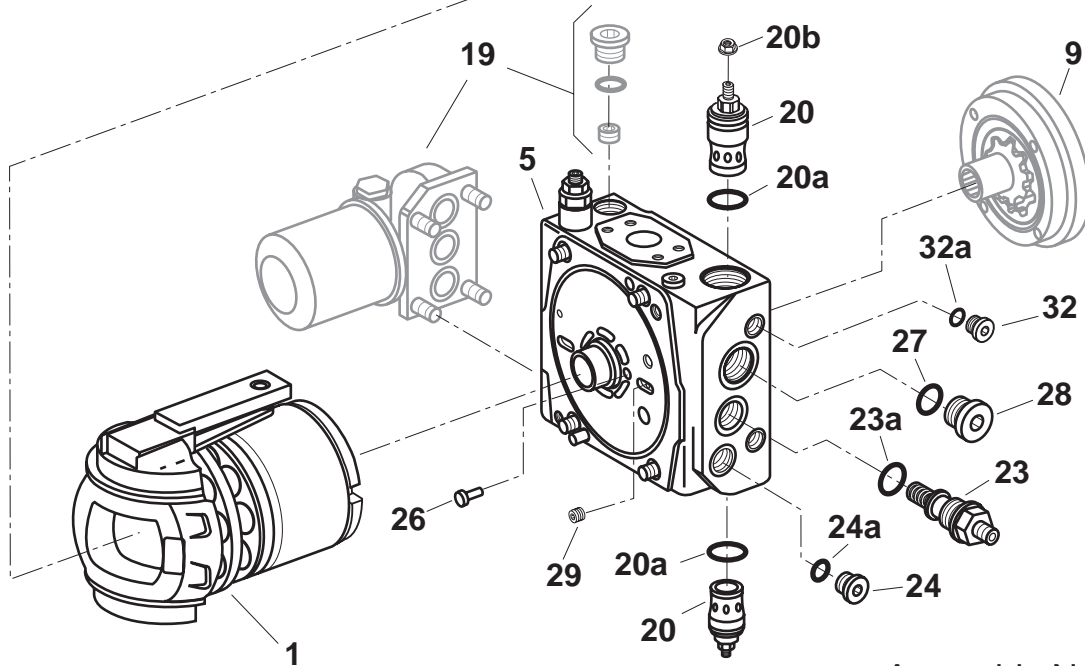
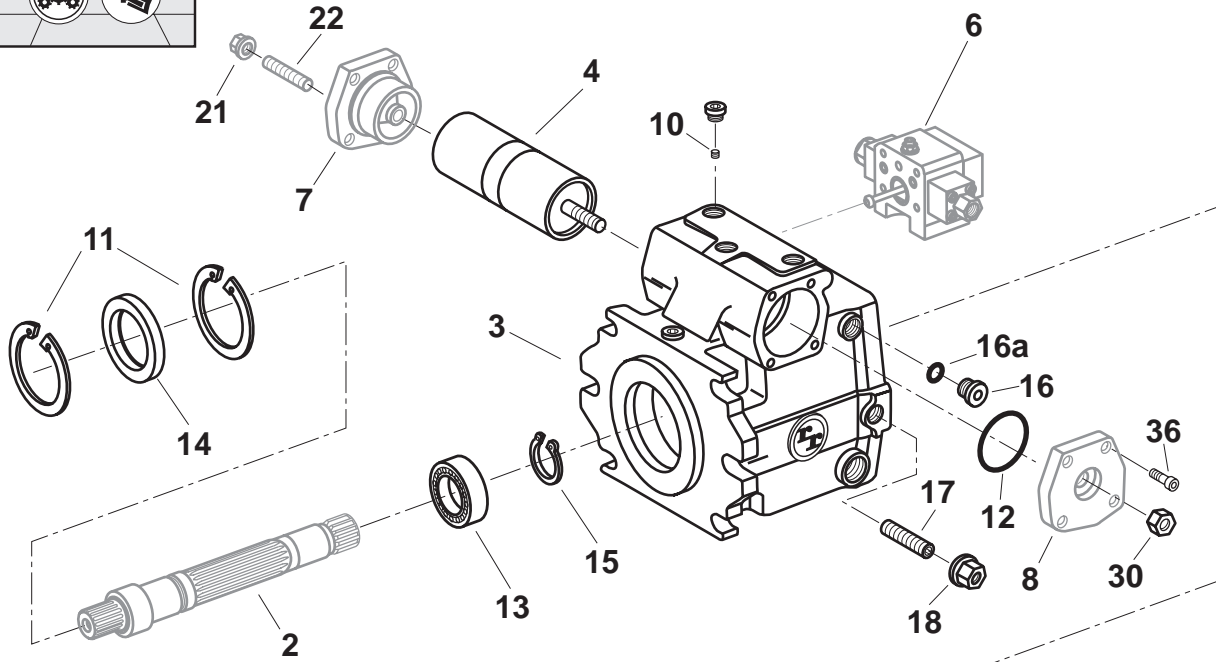
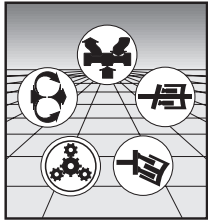
Rotary Group (AA4VG125.../32L)	Page 8-9
Rotary Group (AA4VG125.../32R)	10-11
Housing Ass'y	12-13
Stroking Piston Ass'y	14-15
Port Block Ass'y	16-17
HW Control	18-19
HW (L) Control	20-21
HD Control	22-23
EP1 Control	24-25
EP2 Control	26-27
EZ1 Control	28-29
EZ2 Control	30-31
Charge Pump (F00)	32-33
Thru Dr. Chg. Pump (F01...SAE-A)	34-35
Thru Dr. Chg. Pump (F02...SAE-B)	36-37
Thru Dr. Chg. Pump (F04...SAE-BB)	38-39
Thru Dr. Chg. Pump (F07...SAE-C)	40-41
Thru Dr. Chg. Pump (F69...SAE-D)	42-43
Filtration Options	44-45



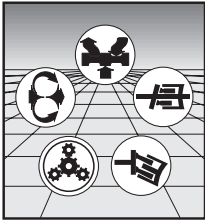
Variable Displacement Pump AA4VG Series 32

Specifications, descriptions, and illustrative material shown herein were as accurate as known at the time this publication was printed. Rexroth reserves the right to discontinue models or options at any time or to change specifications, materials, or designs without notice and without incurring obligation.

DISTRIBUTED BY:



Assembly Number
AA4VG125/32

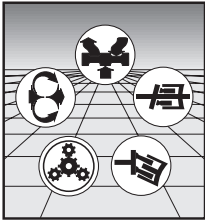


REXROTH CORPORATION

MOBILE HYDRAULICS DIVISION

Assembly Number
AA4VG125/32

Item	Description	Qty	Part Number	
1	Rotary Group Ass'y AA4VG125.../32L		5450-570-008	
1	Rotary Group Ass'y AA4VG125.../32R		5450-570-009	
2	Drive Shaft AA4VG125.../32...S		HU00921707	
2	Drive Shaft AA4VG125.../32...T		HU00921708	
3	Housing Ass'y	1	<i>Pages 12 & 13</i>	
4	Stroking Piston Ass'y	1	<i>Pages 14 & 15</i>	
5	Port Block Ass'y	1	<i>Pages 16 & 17</i>	
6	Control AA4VG125HW.../32		HU00608522	
6	Control AA4VG125HW...L/32		HU00608525	
6	Control AA4VG125HD.../32		HU00602238	
6	Control AA4VG125EP1.../32		HU00602236	
6	Control AA4VG125EP2.../32		HU00602237	
6	Control AA4VG125EZ1.../32		HU00437191	
6	Control AA4VG125EZ2.../32		HU00437190	
7	Stroking Piston Cover AA4VG125...		HU00922049	
7	Stroking Piston Cover AA4VG125...M		HU00449493	
7	Stroking Piston Cover AA4VG125...T		HU00651546	
7	Stroking Piston Cover AA4VG125...M...T		HU00651554	
8	Stroking Piston Cover AA4VG125...		HU00922048	
8	Stroking Piston Cover AA4VG125...M		HU00449492	
8	Stroking Piston Cover AA4VG125...T		HU00651545	
8	Stroking Piston Cover AA4VG125...M...T		HU00651553	
9	Charge Pump ...F00		HU00606320	
9	Thru Dr. Chg. Pump ...F01 (SAE-A)		HU00606309	
9	Thru Dr. Chg. Pump ...F02 (SAE-B)		HU00606312	
9	Thru Dr. Chg. Pump ...F04 (SAE-BB)		HU00606314	
9	Thru Dr. Chg. Pump ...F07 (SAE-C)		HU00606317	
9	Thru Dr. Chg. Pump ...F69 (SAE-D)		HU00606330	



REXROTH CORPORATION

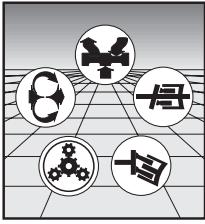
MOBILE HYDRAULICS DIVISION

Assembly Number
AA4VG125/32

Item	Description	Qty	Part Number	
10	Stroking Time Orifice (1.0 mm)	2	HU00426700	
10	Stroking Time Orifice (0.8 mm)		HU00426701	
10	Stroking Time Orifice (0.9 mm)		HU00426702	
10	Stroking Time Orifice (1.2 mm)		HU00426703	
10	Stroking Time Orifice (1.4 mm)		HU00426704	
10	Stroking Time Orifice (1.6 mm)		HU00426705	
10	Stroking Time Orifice (1.8 mm)		HU00426706	
10	Stroking Time Orifice (2.0 mm)		HU00426707	
10	Stroking Time Orifice (2.2 mm)		HU00426708	
10	Stroking Time Orifice (2.4 mm)		HU00439372	
10	Stroking Time Orifice (2.5 mm)		HU00426709	
11	Snap Ring (90 x 3 DIN 984)	2	HU002600002	
12	O-Ring (90 Duro Buna PRP-152)	2	68104-152	*▲
13	Front Bearing	1	HU00156269	
14	Shaft Seal (Buna)		HU00830974	*
14	Shaft Seal (FPM)		HU00830980	▲
15	Snap Ring (50 x 2.0 DIN 471)	1	71119-010	
16	Plug (9/16-18)	1	76107-006	
16a	O-Ring (90 Duro Buna Tube PRP-906)	1	68105-906	*▲
17	Threaded Pin	1	HU00154982	
18	Seal Nut (M12 x 1.5)	1	65110-008	*▲
19	Filtration Options	1	<i>Pages 44 & 45</i>	

* Contained in Seal Kit (P) 5450-635-031

▲ Contained in Seal Kit (N) 5450-635-032



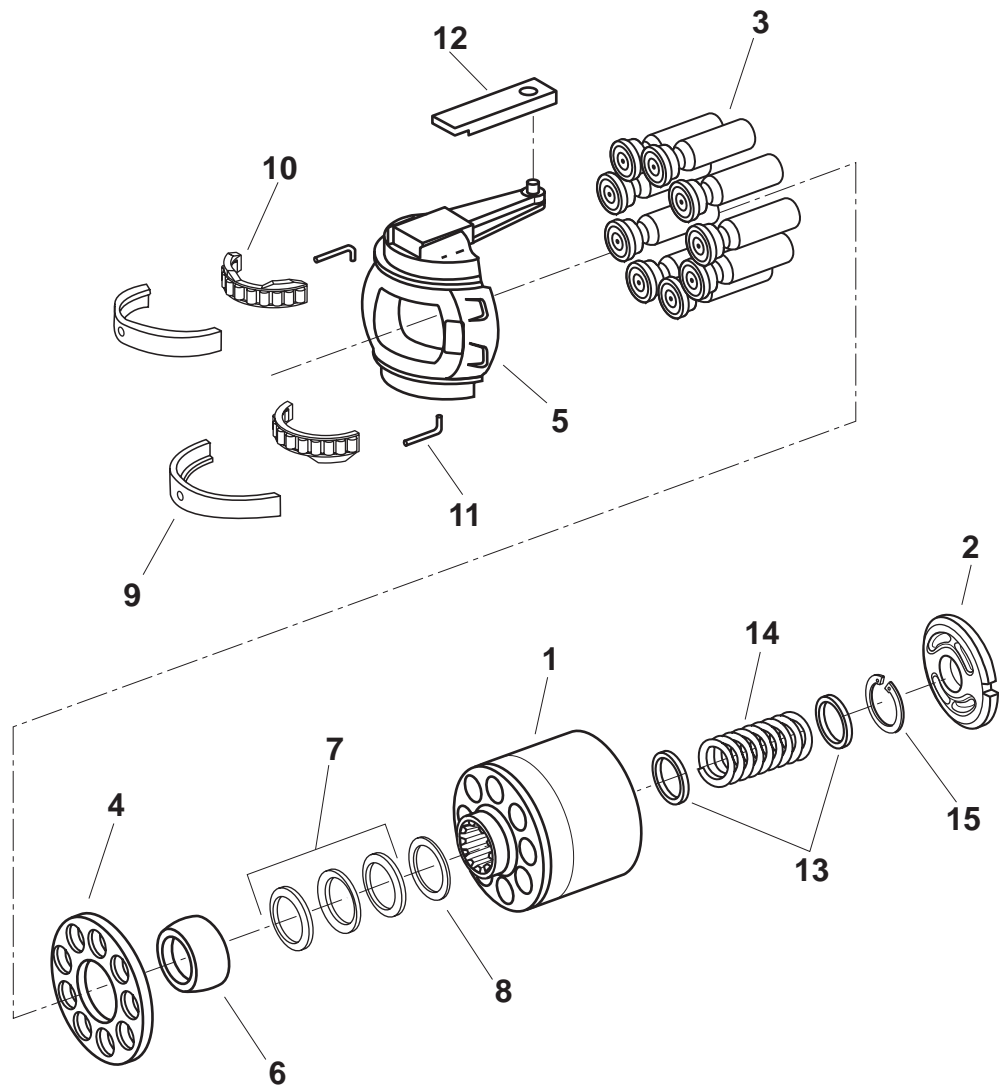
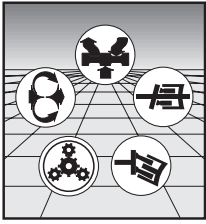
REXROTH CORPORATION

MOBILE HYDRAULICS DIVISION

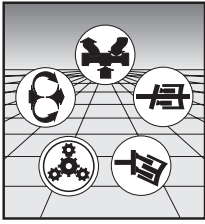
Assembly Number
AA4VG125/32

Item	Description	Qty	Part Number	
20	H.P.R.V. w/ Tow Option (1450-6100 psi)		HU00832121	
20a	O-Ring (90 Duro Buna PRP-121)	2	68104-221	*▲□
20b	Seal Nut (M10 x 1)	2	65110-007	*▲□
21	Seal Nut (M12 x 1.75)		65110-002	*▲
22	Adjusting Screw		HU00432790	
23	Charge Relief Valve		HU00434856	
23a	O-Ring (90 Duro Buna PRP-119)	1	68104-119	*▲★
24	Plug (7/8-14)	1	76107-010	
24a	O-Ring (90 Duro Buna Tube PRP-910)	1	68105-910	*▲○
26	Lens Pin	1	HU00405732	
27	O-Ring (90 Duro Buna PRP-129)	1	68104-129	*▲
28	Plug (M42 x 2 DIN 906-5.8)	1	76118-002	
29	Plug (M8 x 1 DIN 906-5.8)	1	76117-003	
30	Jam Nut (M16 x 1.5 DIN 439-04AU)	1	HU00157477	
32	Plug (7/16-20)	2	76107-004	
32a	O-Ring (90 Duro Buna Tube PRP-904)	2	68105-904	*▲■
36	Cap Screw (M8 x 25 DIN 912-8.8)	8	60118-083	

- * Contained in Seal Kit (P) 5450-635-031
- ▲ Contained in Seal Kit (N) 5450-635-032
- ★ Included with HU00434856
- Included with HU00832121
- Included with 76107-004
- Included with 76107-010



Assembly Number
5450-570-008



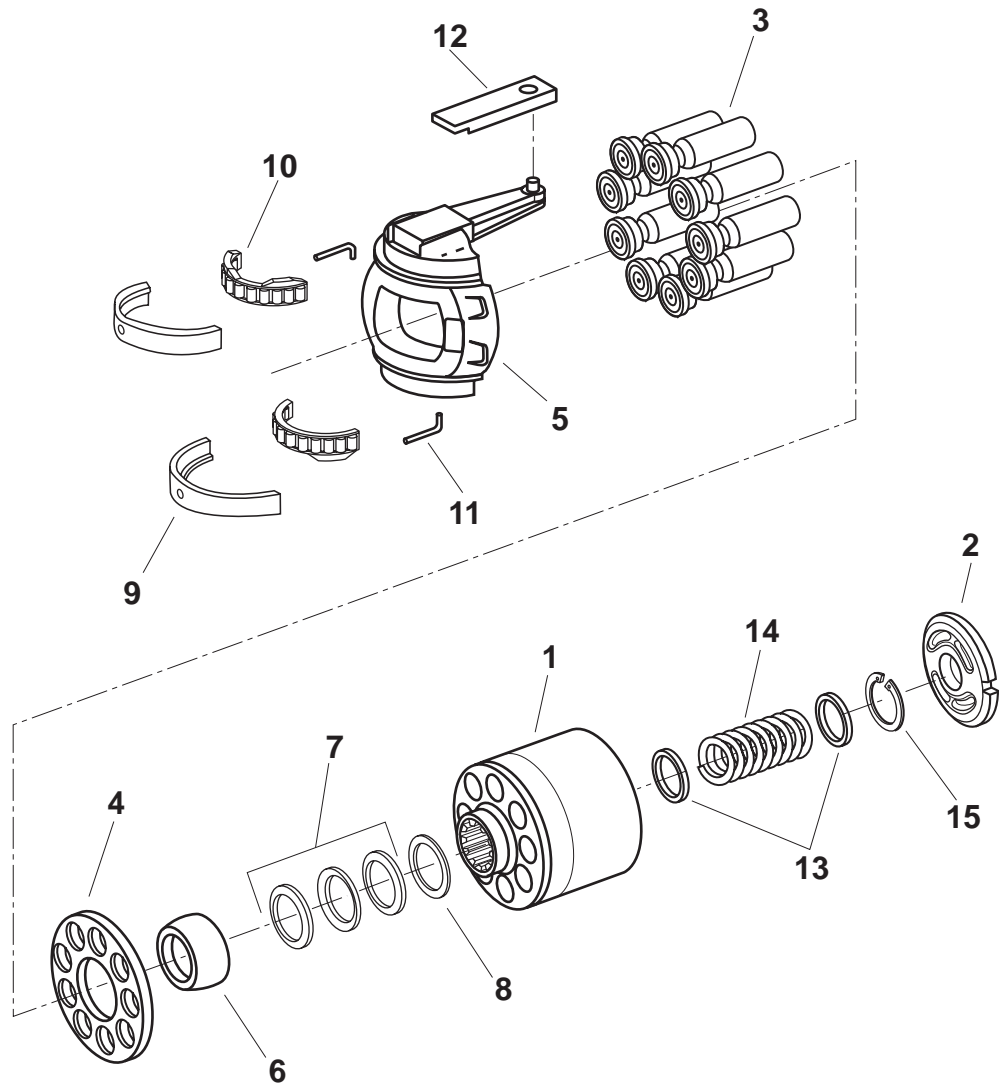
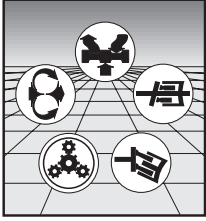
REXROTH CORPORATION

MOBILE HYDRAULICS DIVISION

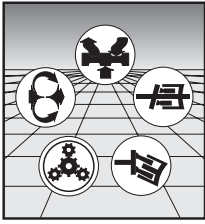
Assembly Number
5450-570-008

Item	Description	Qty	Part Number	
1	Barrel	1	HU00445940	
2	Lens CCW	1	HU00650714/CCW	
3	Piston	9	HU00428131	
4	Retaining Plate	1	HU00921719	
5	Swash Plate	1	HU00445122	
6	Retaining Ball	1	HU00432264	
7	Cup Spring Stack	1	HU00921720	
8	Preload Shim (1.20 mm)	1	HU00432505	▲
8	Preload Shim (1.00 mm)	0	HU00432506	▲
8	Preload Shim (0.80 mm)	0	HU00432507	▲
8	Preload Shim (0.60 mm)	0	HU00432508	▲
9	Bearing Race	1	HU00650055	
10	Cradle Bearing Set	1	HU00830578	
11	Wire	2	HU00421418	
12	Slide Ring	1	HU00449034	
13	Shim	2	HU00921717	
14	Spring	1	HU004435465	
15	Retaining Ring (55 x 2.0 DIN 472)	1	71128-046	

▲ Select the correct preload shim to set the rotary group preload.



Assembly Number
5450-570-009



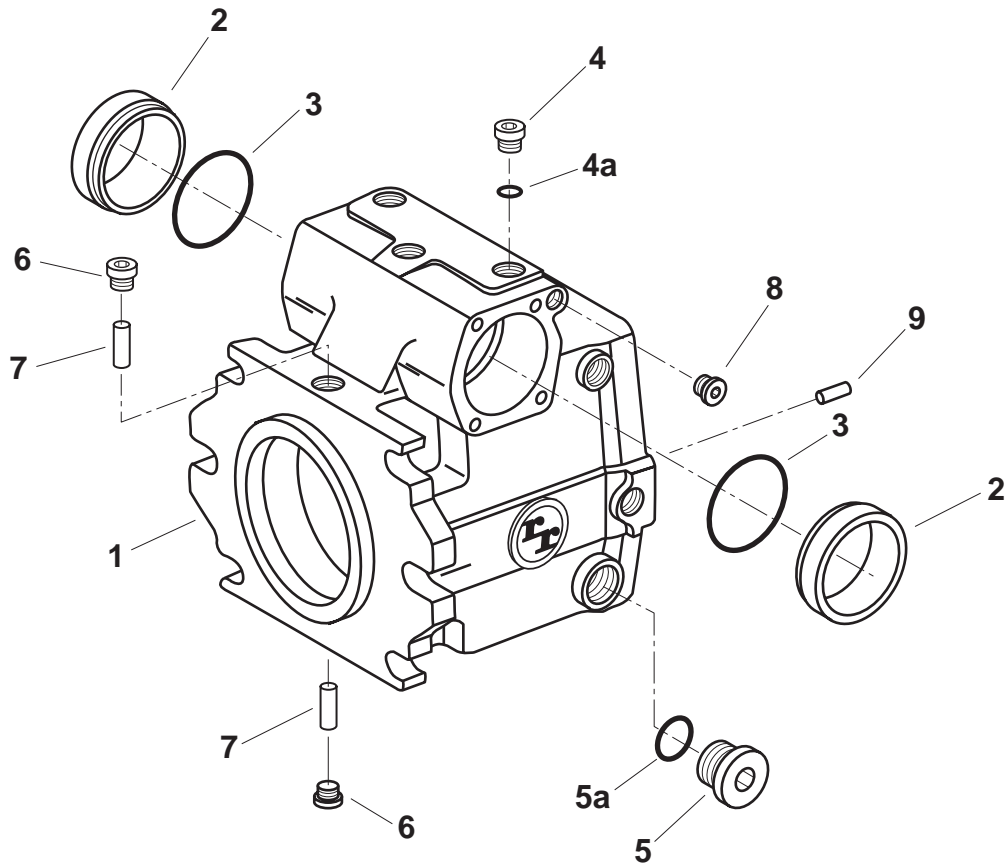
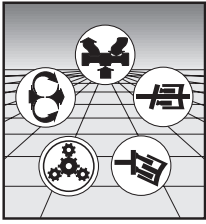
REXROTH CORPORATION

MOBILE HYDRAULICS DIVISION

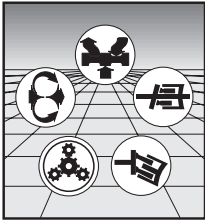
Assembly Number
5450-570-009

Item	Description	Qty	Part Number	
1	Barrel	1	HU00445940	
2	Lens CW	1	HU00650714/CW	
3	Piston	9	HU00428131	
4	Retaining Plate	1	HU00921719	
5	Swash Plate	1	HU00445122	
6	Retaining Ball	1	HU00432264	
7	Cup Spring Stack	1	HU00921720	
8	Preload Shim (1.20 mm)	1	HU00432505	▲
8	Preload Shim (1.00 mm)	0	HU00432506	▲
8	Preload Shim (0.80 mm)	0	HU00432507	▲
8	Preload Shim (0.60 mm)	0	HU00432508	▲
9	Bearing Race	1	HU00650055	
10	Cradle Bearing Set	1	HU00830578	
11	Wire	2	HU00421418	
12	Slide Ring	1	HU00449034	
13	Shim	2	HU00921717	
14	Spring	1	HU00435465	
15	Retaining Ring (55 x 2.0 DIN 472)	1	71128-046	

▲ Select the correct preload shim to set the rotary group preload.



Assembly Number
Housing Ass'y



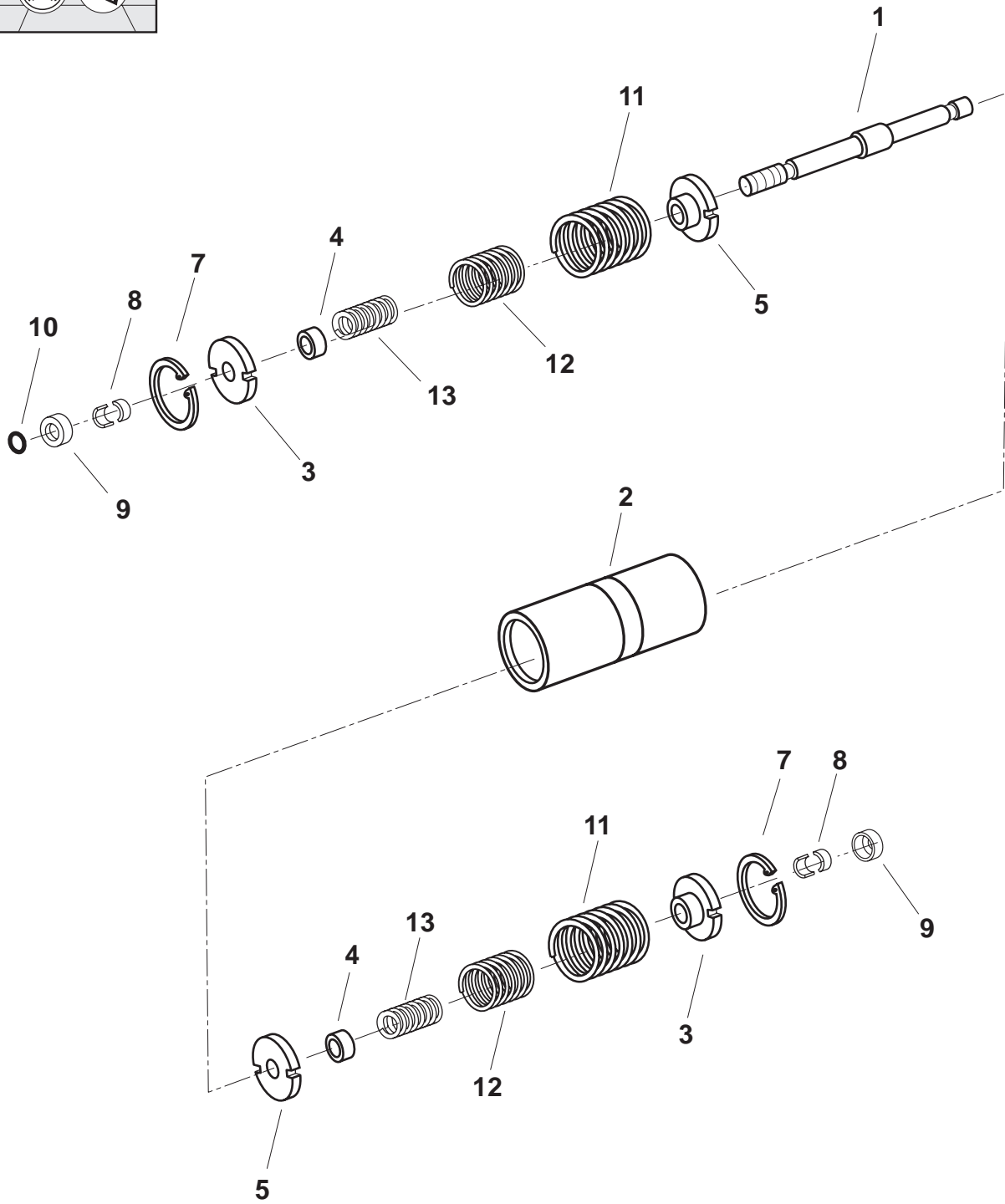
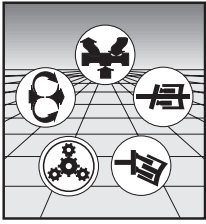
REXROTH CORPORATION

MOBILE HYDRAULICS DIVISION

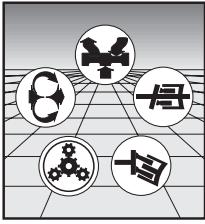
Assembly Number
Housing Ass'y

Item	Description	Qty	Part Number	
1	Housing (AA4VG125/32)	1	HU00444280	
2	Bushing	2	HU00432761	
3	O-Ring (70 Duro Buna PRP-152)	2	68101-152	*▲
4	Plug (9/16-18)	3	76107-006	
4a	O-Ring (90 Duro Buna Tube PRP-906)	3	68105-906	*▲●
5	Plug (1 5/16-12)	1	76107-016	
5a	O-Ring (90 Duro Buna Tube PRP-916)	1	68105-916	*▲■
6	Plug (M12 x 1.5)	1	76116-002	*▲
7	Pin	2	HU00435016	
8	Plug (M10 x 1)	1	76116-004	*▲
9	Roll Pin (M3 x 12 DIN 7344)	2	HU00154427	

- * Contained in Seal Kit (P) 5450-635-031
- ▲ Contained in Seal Kit (N) 5450-635-032
- Included with 76107-006
- Included with 76107-016



Assembly Number
Stroking Piston Ass'y



REXROTH CORPORATION

MOBILE HYDRAULICS DIVISION

Assembly Number

Stroking Piston Ass'y

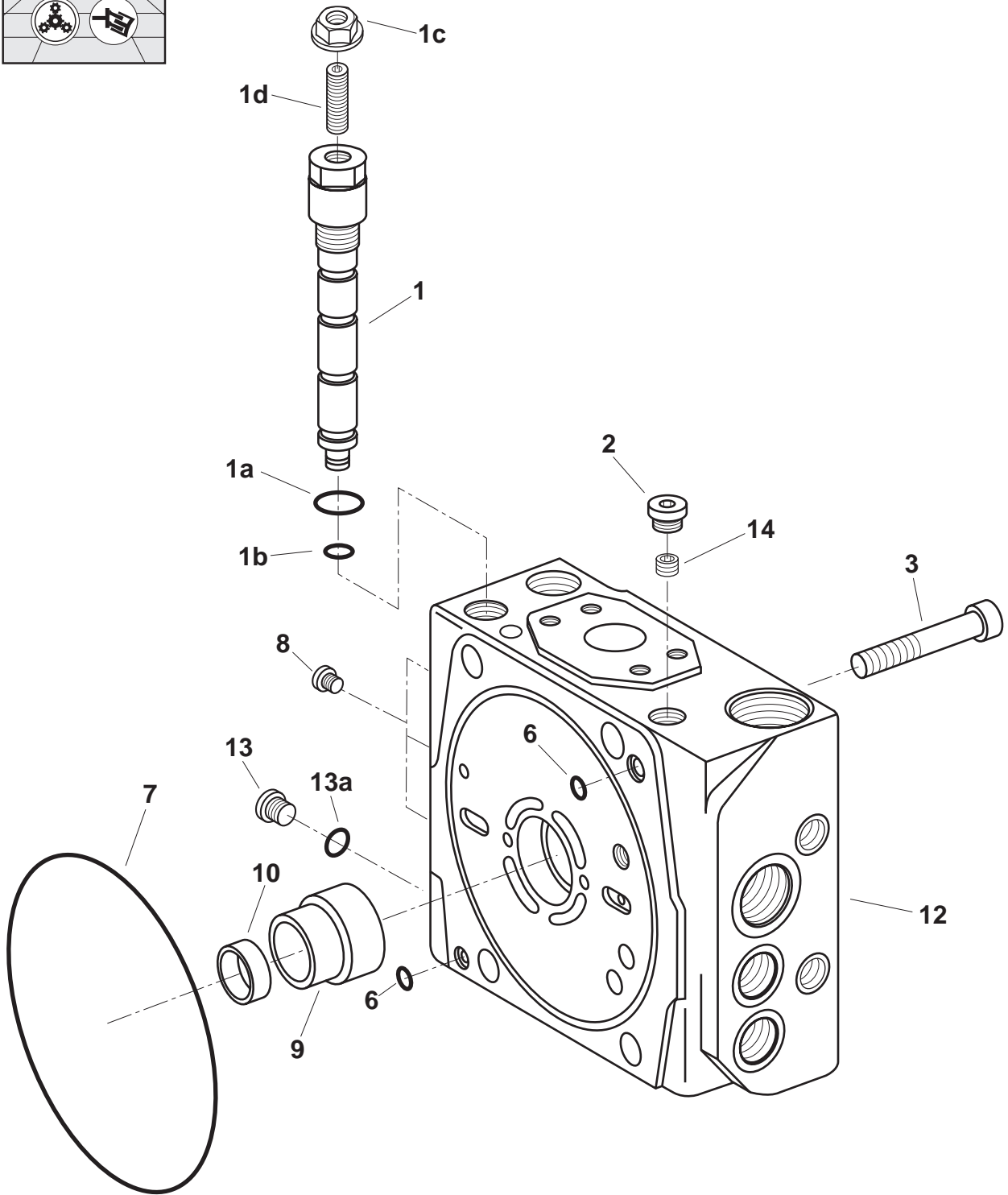
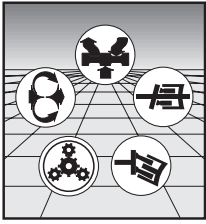
Item	Description	Qty	Part Number	
1	Rod	1	HU00449241	
2	Piston	1	HU00652042	
3	Spring Collar (NV, HD, EP, HW control)	2	HU00650696	
3	Spring Collar (DG control)	2	HU00432958	
4	Spacer Ring (7.20 mm)	2	HU00432776	■
4	Spacer Ring (7.40 mm)	0	HU00432777	■
4	Spacer Ring (7.30 mm)	0	HU00432778	■
4	Spacer Ring (7.50 mm)	0	HU00445794	■
4	Spacer Ring (7.10 mm)	0	HU00445795	■
4	Spacer Ring (7.00 mm)	0	HU00445796	■
5	Spring Collar	2	HU00650696	
7	Retaining Ring (72 x 2.5 DIN 472)	2	71128-054	
8	Keeper set (8.00 mm)	2	HU00435018	×
8	Keeper set (7.85 mm)	0	HU00435019	×
8	Keeper set (7.90 mm)	0	HU00435020	×
8	Keeper set (7.95 mm)	0	HU00435021	×
8	Keeper set (8.50 mm)	0	HU00435022	×
8	Keeper set (8.10 mm)	0	HU00435023	×
9	Retainer	2	HU00426311	
10	O-Ring (90 Duro Buna PRP-014)	1	68104-014	*▲
11	Spring (NV, HD, EP, HW control)	2	HU00435005	
11	Spring (DG control)	2	HU00435005	
12	Spring (NV, HD, EP, HW control)	2	HU00435004	
12	Spring (DG control)	2	HU00435004	
13	Spring (DG control)	2	HU00435006	

* Contained in Seal Kit (P) 5450-635-031

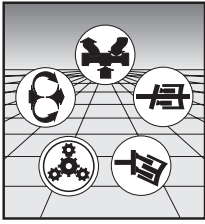
▲ Contained in Seal Kit (N) 5450-635-032

× Choose the correct Keeper to set retaining plate position.

■ Choose the Spacer Ring to set displacement.



Assembly Number
Port Block Ass'y



REXROTH CORPORATION

MOBILE HYDRAULICS DIVISION

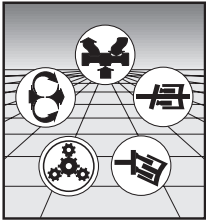
Assembly Number
Port Block Ass'y

Item	Description	Qty	Part Number	
1	P.O.R. Assembly	1	HU00433834	
1a	O-Ring (90 Duro Buna PRP-112)	1	68104-112	*▲■
1b	O-Ring (90 Duro Buna PRP-115)	1	68104-115	*▲■
1c	Seal Nut (M8)	1	65110-004	*■
1d	Adjusting Screw	1	H432167	■
2	Plug (M12 x 1.5)	1	76116-002	
3	Cap Screw (M20 x 100 DIN 912-10.9)	4	60119-229	
6	O-Ring (90 Duro Buna PRP-014)	2	68104-014	*▲
7	O-Ring (90 Duro Buna PRP-259)	1	68104-259	*▲
8	Plug (M8 x 1)	3	76116-015	*▲
9	Bushing Support	1	HU00445670	
10	Bushing	1	HU00426695	
12	Port Block (AA4VG...125/32)	1	5450-430-021	
13	Plug (7/16-20)	1	76107-004	
13a	O-Ring (90 Duro Buna Tube PRP-904)	1	68105-904	*▲
14	Orifice (2.2 mm)	1	HU00426708	

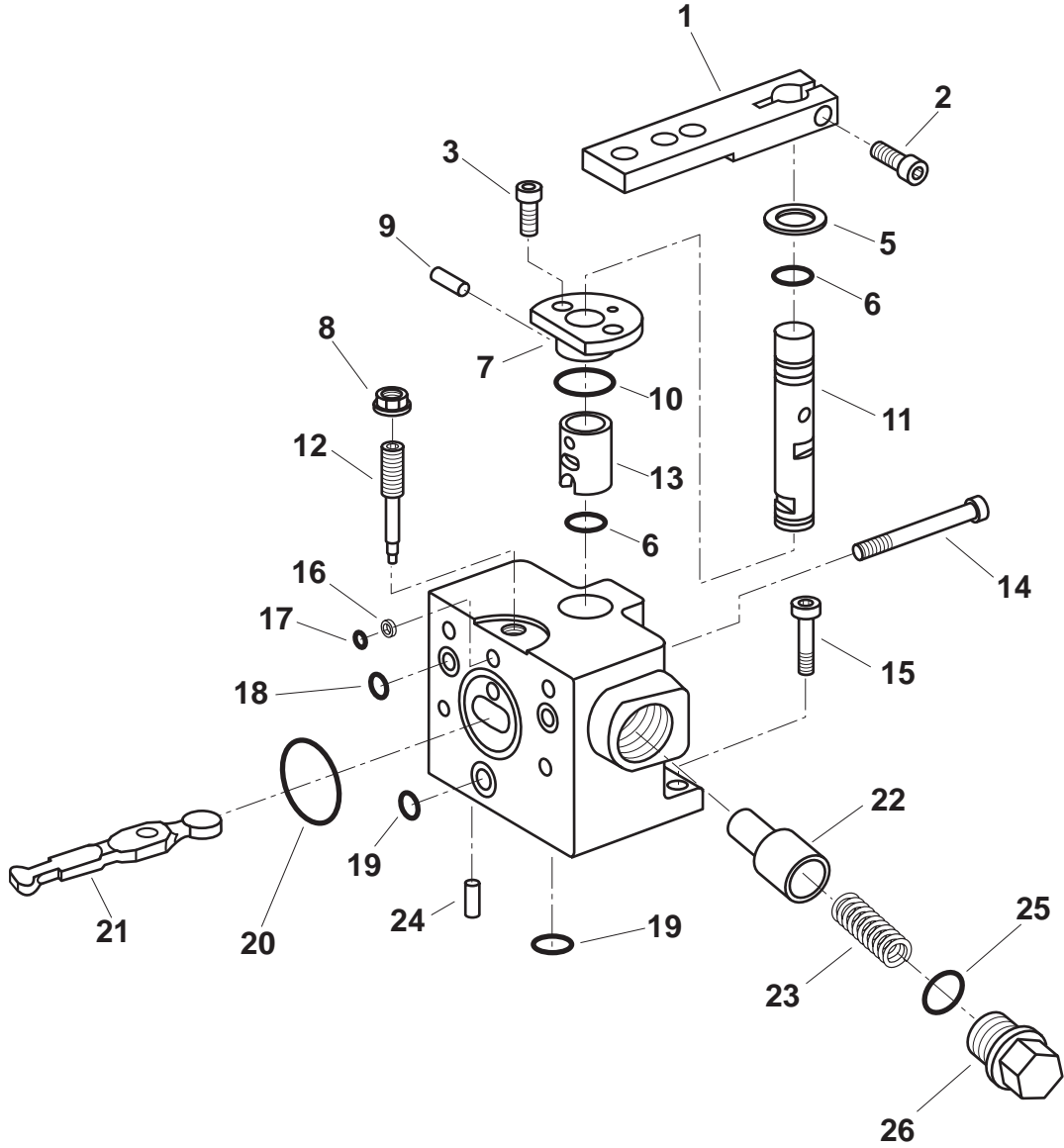
* Contained in Seal Kit (P) 5450-635-031

▲ Contained in Seal Kit (N) 5450-635-032

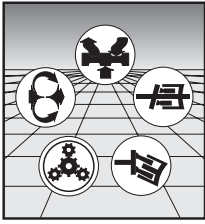
■ Contained with HU00433834



HW Control



Assembly Number
HU00608522



REXROTH CORPORATION

MOBILE HYDRAULICS DIVISION

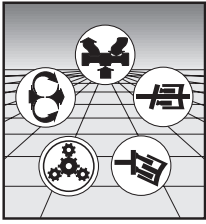
HW Control

Assembly Number
HU00608522

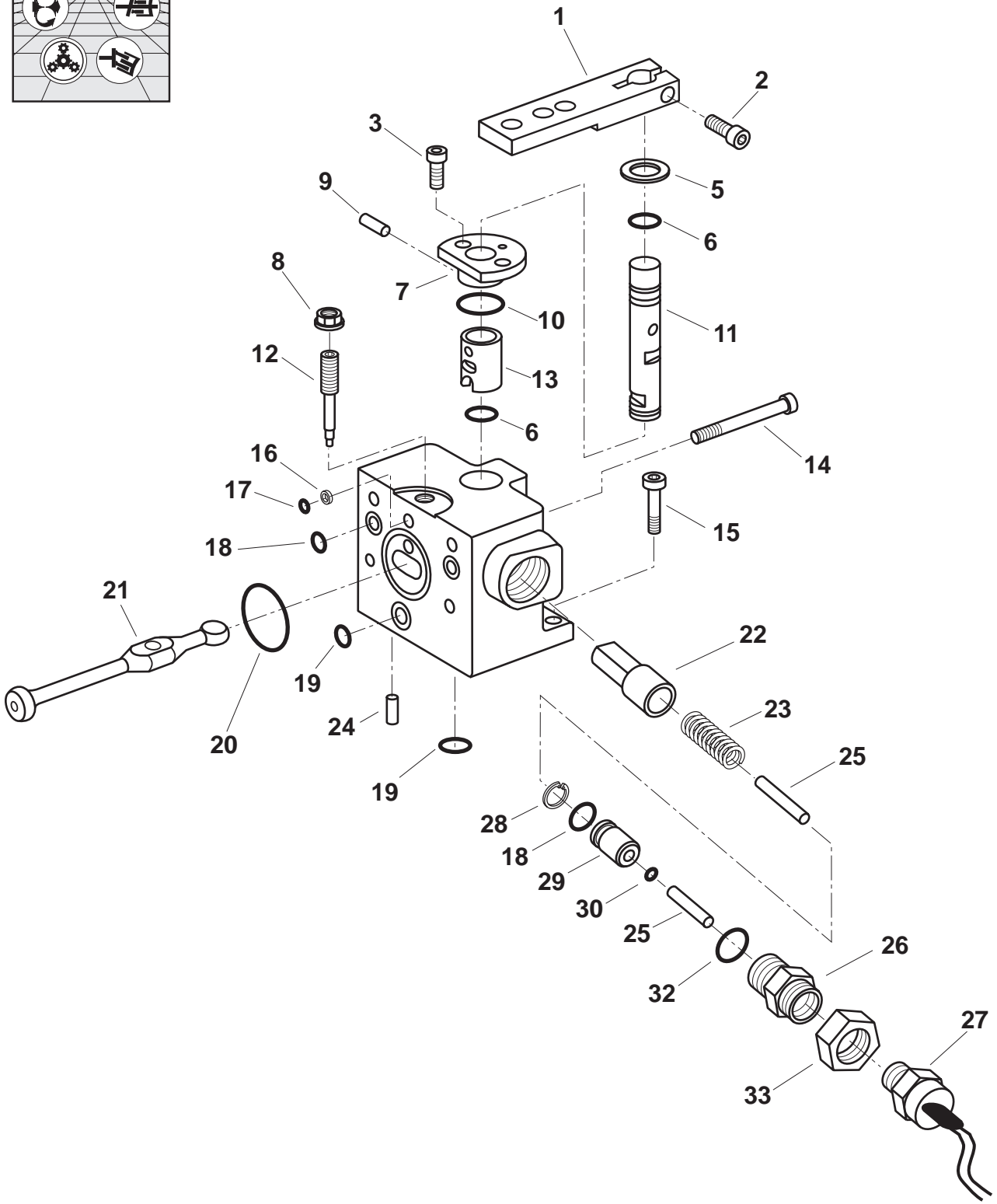
Item	Description	Qty	Part Number	
1	Handle	1	HU00400523	
2	Cap Screw (M5 x 20 DIN 912-8.8)	1	60118-037	
3	Cap Screw (M5 x 10 DIN 912-8.8)	2	60118-032	
5	Shim (14 x 20 x 1 DIN 988)	1	HU00153380	
6	O-Ring (70 Duro Buna PRP-013)	2	68101-013	*▲
7	Cover	1	HU00651212	
8	Seal Nut (M8)	1	65110-004	
9	Needle Roller (A 4 x 17.8 G2 DIN 5402)	1	HU00830413	
10	O-Ring (70 Duro Buna PRP-020)	1	68101-020	*▲
11	Control Shaft	1	HU00651216	
12	Eccentric Screw	1	HU00426570	
13	Control Bushing	1	HU00651213	
14	Cap Screw (M6 x 50 DIN 912-8.8)	4	60118-065	
15	Cap Screw (M6 x 20 DIN 912-8.8)	2	60118-058	
16	Spacer	1	HU00430006	
17	O-Ring (70 Duro Buna PRP-010)	1	68101-010	*▲
18	O-Ring (70 Duro Buna PRP-012)	2	68101-012	*▲
19	O-Ring (70 Duro Buna PRP-014)	2	68101-014	*▲
20	O-Ring (70 Duro Buna PRP-025)	1	68101-025	*▲
21	Feed Back Lever	1	HU00432514	
22	Spring Retainer	1	HU00650254	
23	Spring	1	HU00421991	
24	Dowell Pin (M6 x 14 DIN 6325)	1	69116-005	
25	O -Ring (90 Duro Buna PRP-115)	1	68104-115	
26	Cap (M20 x 1.5 DIN 910-5.8)	1	HU00086753	

* Contained in Seal Kit (P) 5450-635-031

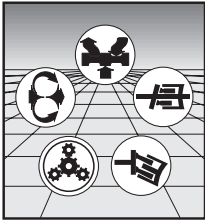
▲ Contained in Seal Kit (N) 5450-635-032



HW (L) Control



Assembly Number
HU00608525



REXROTH CORPORATION

MOBILE HYDRAULICS DIVISION

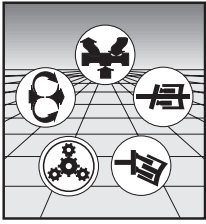
HW (L) Control

Assembly Number
HU00608525

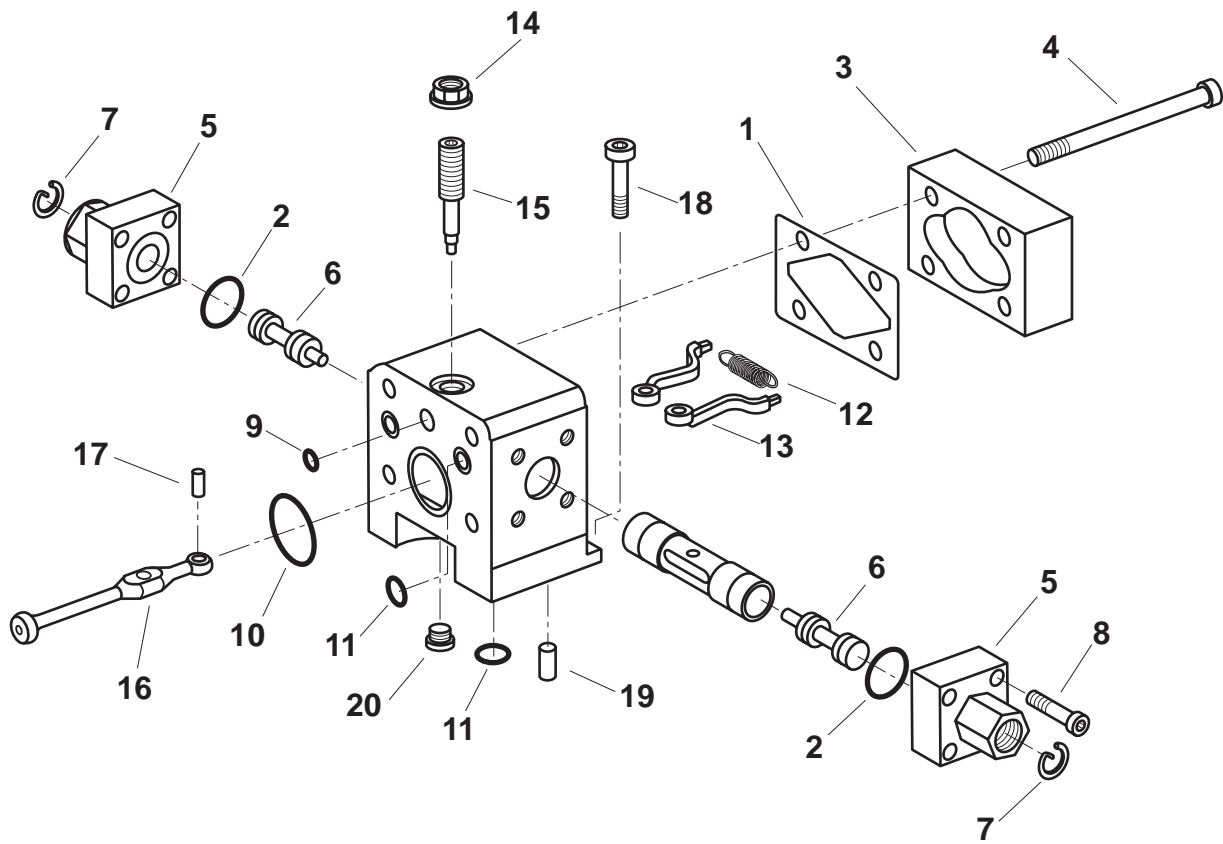
Item	Description	Qty	Part Number	
1	Handle	1	HU00400523	
2	Cap Screw (M5 x 20 DIN 912-8.8)	1	60118-037	
3	Cap Screw (M5 x 10 DIN 912-8.8)	2	60118-032	
5	Shim (14 x 20 x 1 DIN 988)	1	HU00153380	
6	O-Ring (70 Duro Buna PRP-013)	2	68101-013	*▲
7	Cover	1	HU00651212	
8	Seal Nut (M8 x 1.25)	1	65110-004	*▲
9	Pin (A4 x 17.8 G2 DIN 5402)	1	HU00830413	
10	O-Ring (70 Duro Buna PRP-020)	1	68101-020	*▲
11	Control Shaft	1	HU00651216	
12	Eccentric Screw	1	HU00426570	
13	Control Bushing	1	HU00651213	
14	Cap Screw (M6 x 50 DIN 912-8.8)	4	60118-065	
15	Cap Screw (M6 x 20 DIN 912-8.8)	2	60118-058	
16	Spacer	1	HU00430006	
17	O-Ring (70 Duro Buna PRP-010)	1	68101-010	*▲
18	O-Ring (70 Duro Buna PRP-012)	3	68101-012	*▲
19	O-Ring (70 Duro Buna PRP-014)	1	68101-014	*▲
20	O-Ring (70 Duro Buna PRP-025)	1	68101-025	*▲
21	Feed Back Lever	1	HU00432514	
22	Spring Retainer	1	HU00651844	
23	Spring	1	HU00421991	
24	Dowell Pin (M6 x 14 DIN 6325)	1	69116-005	
25	Pin (3 X 32 DIN 5402)	2	HU00651973	
26	Adapter	1	HU00444527	
27	Switch	1	HU00830731	
28	Snap Ring (M14 x 1 DIN 472)	1	HU00083380	
29	Seal Bushing	1	HU00444528	
30	O-Ring (70 Duro Buna PRP-006)	1	68101-006	*▲
32	O-Ring (90 Duro Buna PRP-115)	1	68104-115	*▲
33	Jam Nut (BM 20 x 1.5 DIN 439-04AU)	1	HU00830212	

* Contained in Seal Kit (P) 5450-635-031

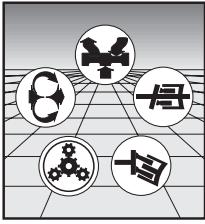
▲ Contained in Seal Kit (N) 5450-635-032



HD Control



Assembly Number
HU00602238



REXROTH CORPORATION

MOBILE HYDRAULICS DIVISION

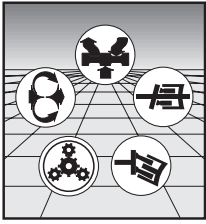
HD Control

Assembly Number
HU00602238

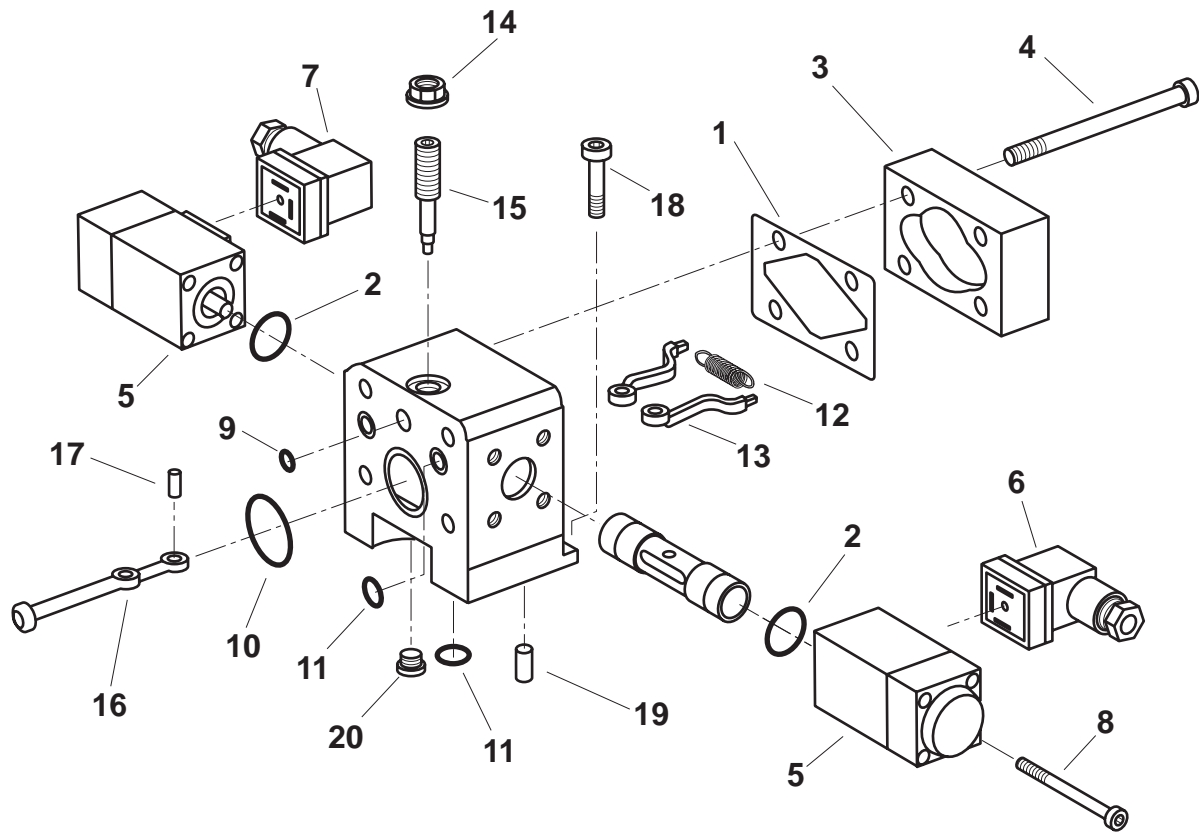
Item	Description	Qty	Part Number	
1	Gasket	1	HU00443634	*▲
2	O-Ring (70 Duro Buna PRP-018)	2	68101-018	*▲
3	Cover	1	HU00443201	
4	Cap Screw (M6 x 65 DIN 912-8.8)	4	60118-068	
5	End Cover	2	HU00417430	
6	Piston	2	HU00439379	
7	Retaining Clip	2	HU00156539	
8	Cap Screw (M4 x 20 DIN 912-8.8)	8	60118-020	
9	O-Ring (70 Duro Buna PRP-010)	1	68101-010	*▲
10	O-Ring (70 Duro Buna PRP-025)	1	68101-025	*▲
11	O-Ring (70 Duro Buna PRP-013)	5	68101-013	*▲
12	Feedback Spring	1	HU00921875	
13	Lever Arm	2	HU00426573	
14	Seal Nut (M8)	1	65110-004	*▲
15	Eccentric Screw	1	HU00426570	
16	Feedback Lever	1	HU00436442	
17	Pin (A3 x 15.8 G2 DIN 5402)	1	HU00087453	
18	Cap Screw (M6 x 20 DIN 912-8.8)	2	60118-058	
19	Dowel Pin (M6 x 14 DIN 6325)	1	69116-005	
20	Retaining Plug	1	HU00408821	

* Contained in Seal Kit (P) 5450-635-031

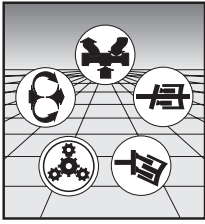
▲ Contained in Seal Kit (N) 5450-635-032



EP1 Control



Assembly Number
HU00602236



REXROTH CORPORATION

MOBILE HYDRAULICS DIVISION

EP1 Control

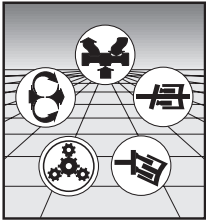
Assembly Number
HU00602236

Item	Description	Qty	Part Number	
1	Gasket	1	HU00443634	*▲
2	O-Ring (70 Duro Buna PRP-018)	2	68101-018	*▲
3	Cover	1	HU00443201	
4	Cap Screw (M6 x 65 DIN 912-8.8)	4	60118-068	
5	Solenoid (12Volts)	2	HU00441691	
6	Connector Gray	1	HU00152503	
7	Connector Black	1	HU00085290	
8	Cap Screw (M4 x 50 DIN 912-8.8)	8	60118-027	□
9	O-Ring (70 Duro Buna PRP-010)	1	68101-010	*▲
10	O-Ring (70 Duro Buna PRP-025)	1	68101-025	*▲
11	O-Ring (70 Duro Buna PRP-013)	5	68101-013	*▲
12	Feedback Spring	1	HU00445713	
13	Lever Arm	2	HU00426573	
14	Seal Nut (M8)	1	65110-004	*▲
15	Eccentric Screw	1	HU00426570	
16	Feedback Lever	1	HU00445730	
17	Bevel Pin (DIN 5402)	1	HU00087453	
18	Cap Screw (M6 x 20 DIN 912-8.8)	2	60118-058	
19	Dowel Pin(M6 x 14 DIN 6325)	1	69116-005	
20	Retaining Plug	1	HU00408821	

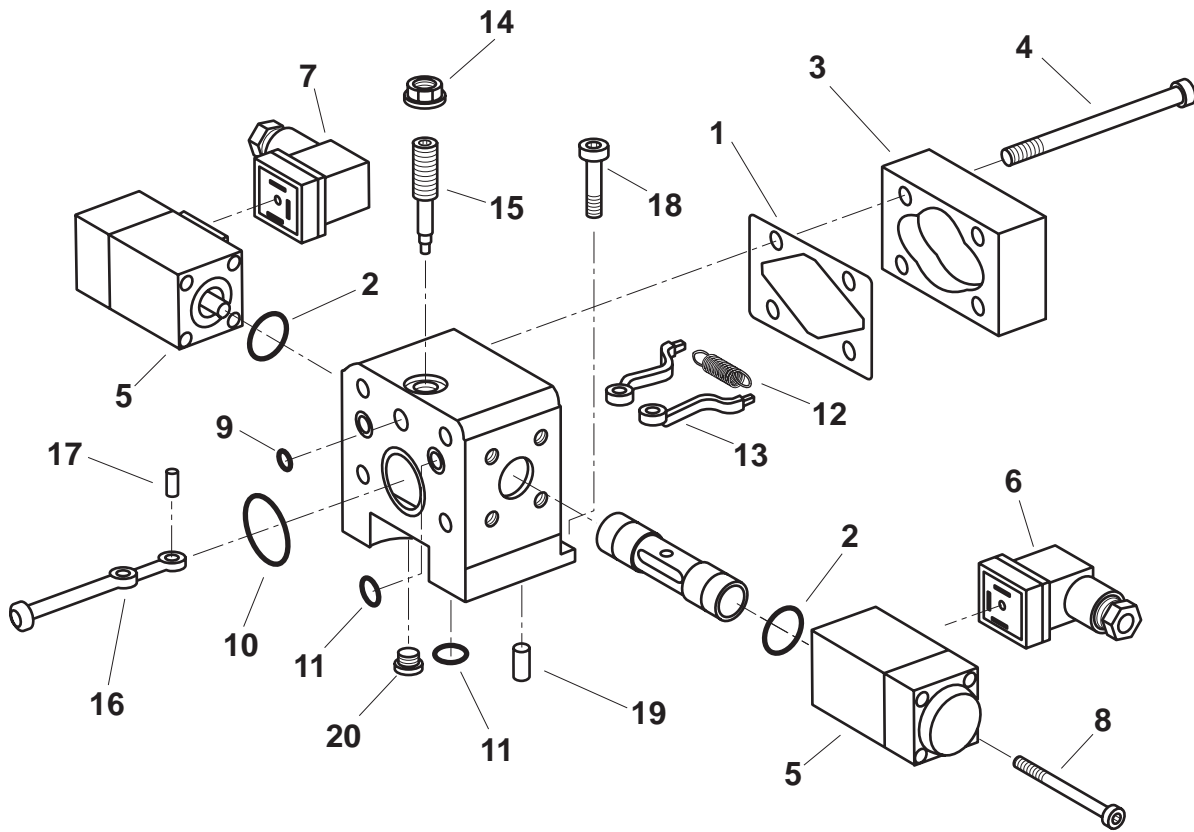
* Contained in Seal Kit (P) 5450-635-031

▲ Contained in Seal Kit (N) 5450-635-032

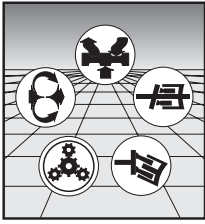
□ Included with 5403-580-002



EP2 Control



Assembly Number
HU00602237



REXROTH CORPORATION

MOBILE HYDRAULICS DIVISION

EP2 Control

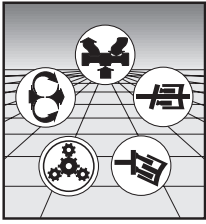
Assembly Number
HU00602237

Item	Description	Qty	Part Number	
1	Gasket	1	HU00443634	*▲
2	O-Ring (70 Duro Buna PRP-018)	2	68101-018	*▲
3	Cover	1	HU00443201	
4	Cap Screw (M6 x 65 DIN 912-8.8)	4	60118-068	
5	Solenoid (24 Volts)	2	HU00441692	
6	Connector Gray	1	HU00152503	
7	Connector Black	1	HU00085290	
8	Cap Screw (M4 x 50 DIN 912-8.8)	8	60118-027	□
9	O-Ring (70 Duro Buna PRP-010)	1	68101-010	*▲
10	O-Ring (70 Duro Buna PRP-025)	1	68101-025	*▲
11	O-Ring (70 Duro Buna PRP-013)	5	68101-013	*▲
12	Feedback Spring	1	HU00445713	
13	Lever Arm	2	HU00426573	
14	Seal Nut (M8)	1	65110-004	*▲
15	Eccentric Screw	1	HU00426570	
16	Feedback Lever	1	HU00445730	
17	Bevel Pin (DIN 5402)	1	HU00087453	
18	Cap Screw (M6 x 20 DIN 912-8.8)	2	60118-058	
19	Dowel Pin(M6 x 14 DIN 6325)	1	69116-005	
20	Retaining Plug	1	HU00408821	

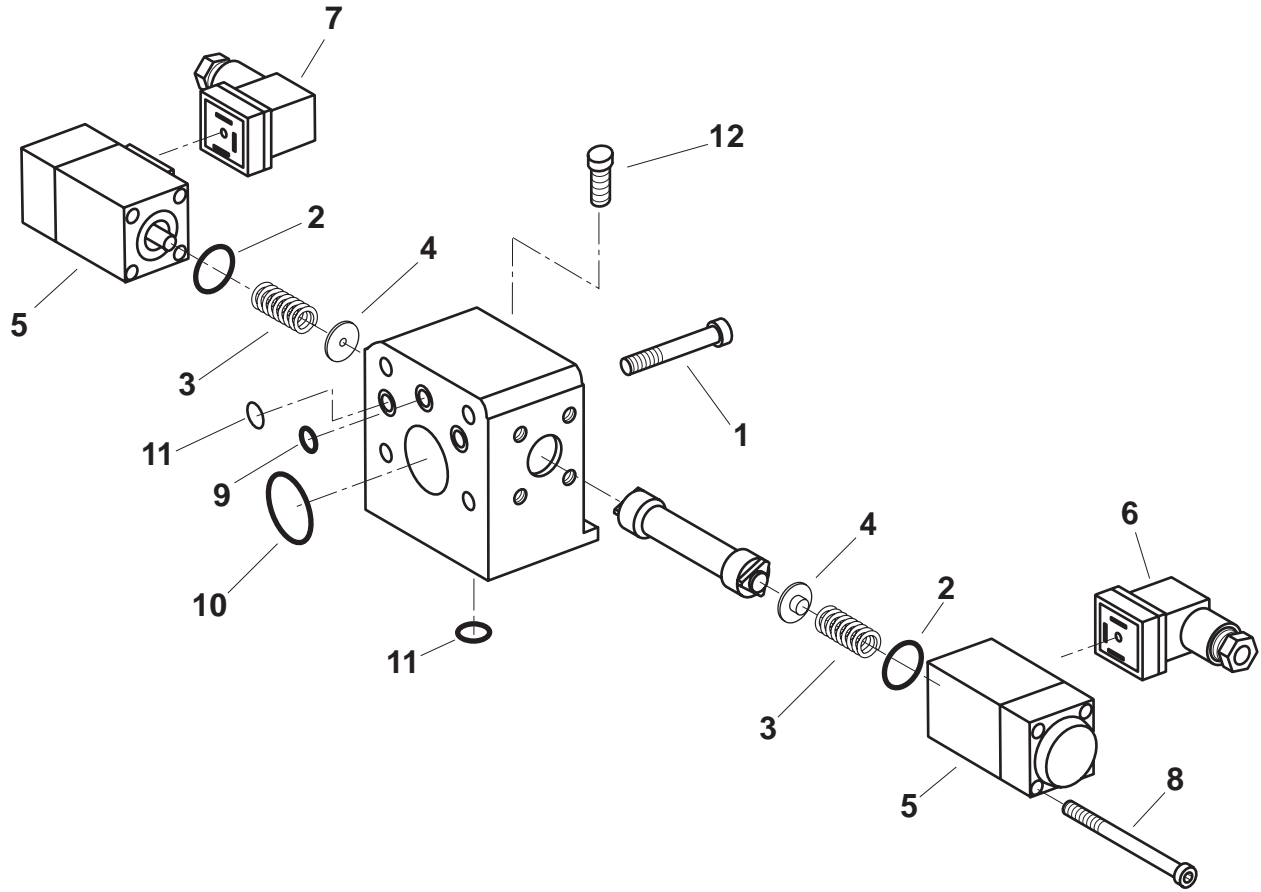
* Contained in Seal Kit (P) 5450-635-031

▲ Contained in Seal Kit (N) 5450-635-032

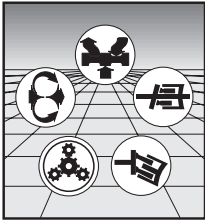
□ Included with 5403-580-001



EZ1 Control



Assembly Number
HU00437191



REXROTH CORPORATION

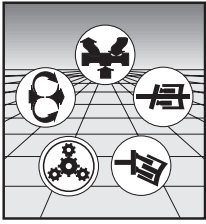
MOBILE HYDRAULICS DIVISION

EZ1 Control

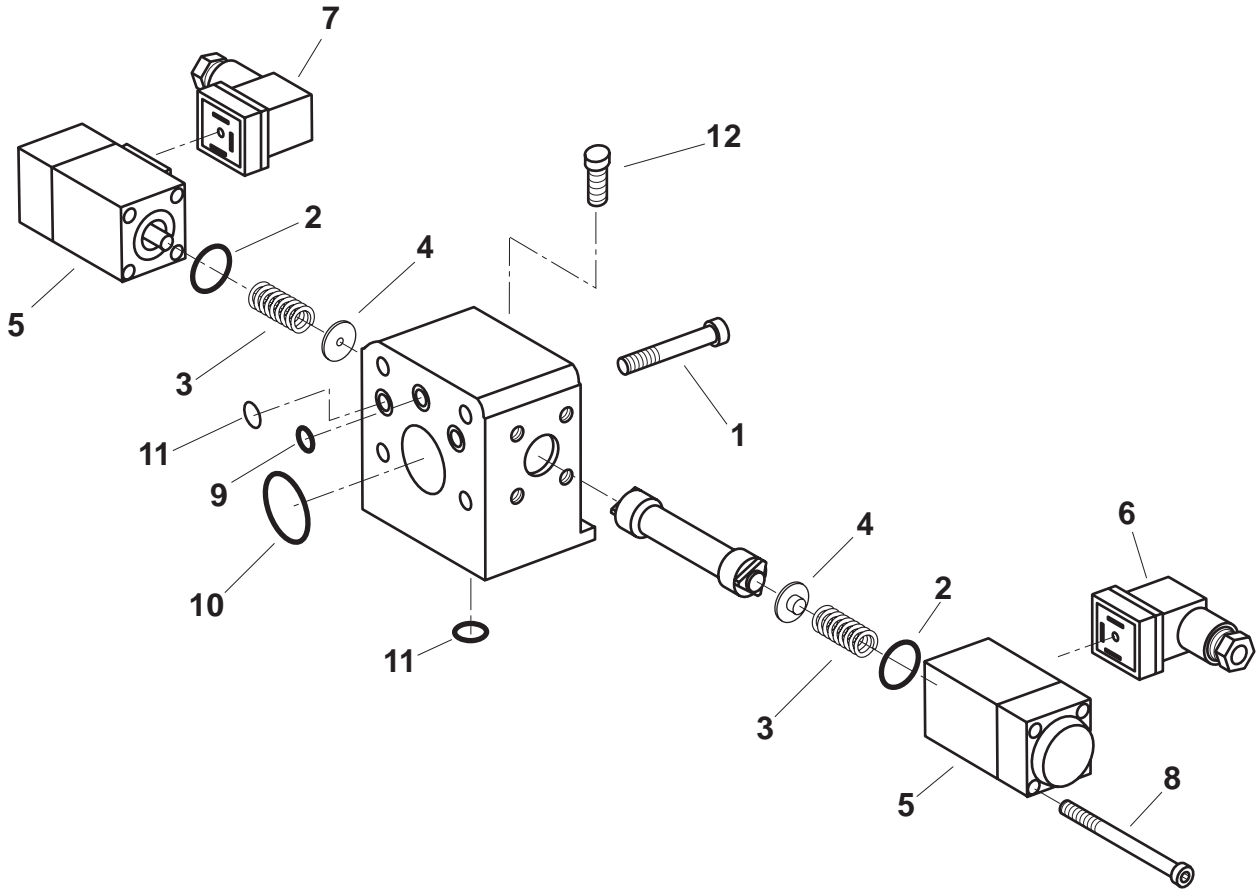
Assembly Number
HU00437191

Item	Description	Qty	Part Number	
1	Cap Screw (M6 x 50 DIN 912-8.8)	4	60118-340	
2	O-Ring (70 Duro Buna PRP-016)	2	68101-016	*▲
3	Spring	2	HU00071362	
4	Spring Collar	2	HU00400503	
5	Solenoid (12Volts)	2	HU00428265	
6	Connector Gray	1	HU00152503	
7	Connector Black	1	HU00085290	
8	Cap Screw (M4 x 65 DIN 912-8.8)	8	60118-340	□
9	O-Ring (70 Duro Buna PRP-010)	1	68101-010	*▲
10	O-Ring (70 Duro Buna PRP-025)	1	68101-025	*▲
11	O-Ring (70 Duro Buna PRP-013)	5	68101-013	*▲
12	Cap Screw (M6 x 20 DIN 912-8.8)	2	60118-058	

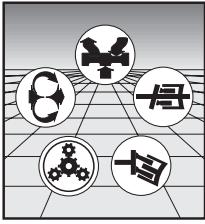
- * Contained in Seal Kit (P) 5450-635-031
- ▲ Contained in Seal Kit (N) 5450-635-032
- Included with 5406-580-002



EZ2 Control



Assembly Number
HU00437190



REXROTH CORPORATION

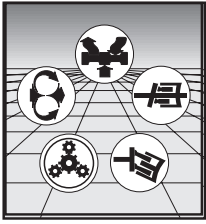
MOBILE HYDRAULICS DIVISION

EZ2 Control

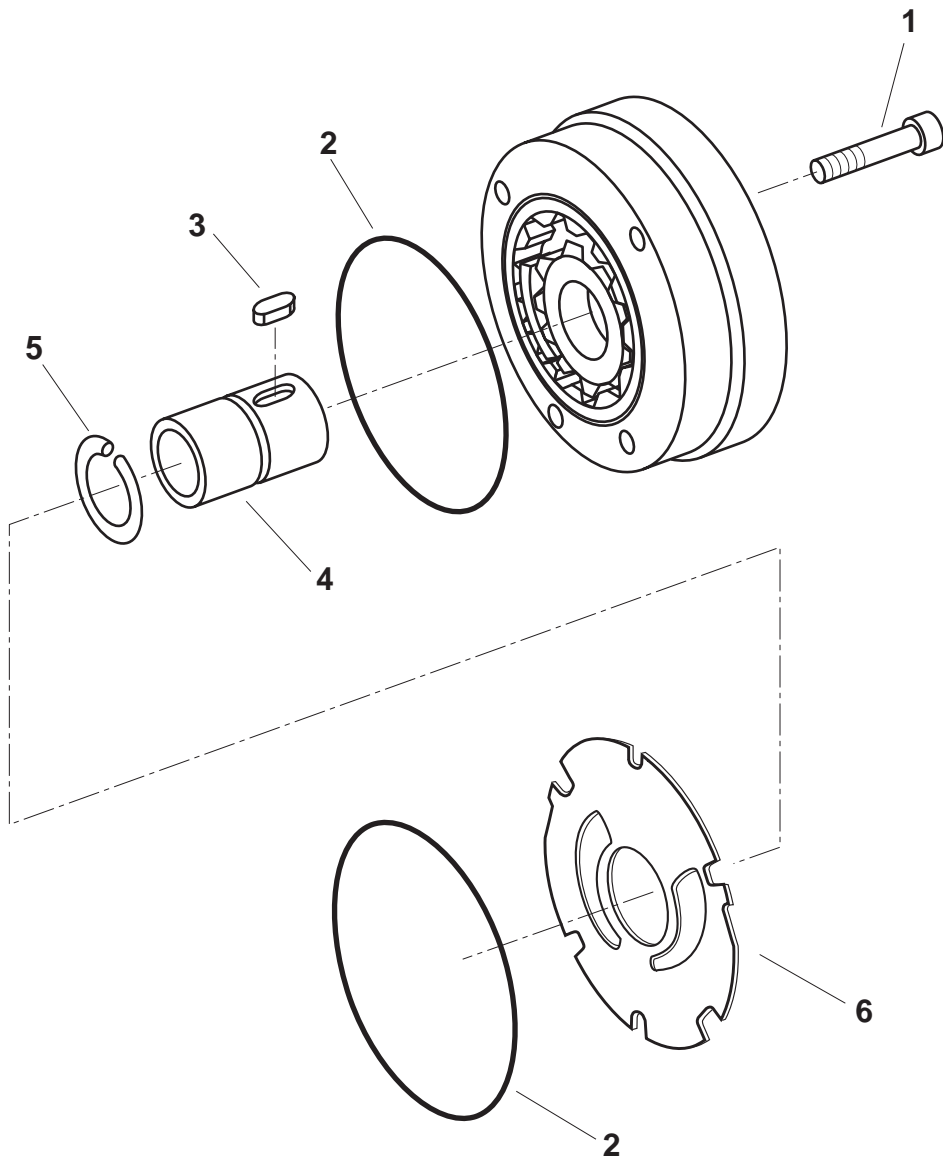
Assembly Number
HU00437190

Item	Description	Qty	Part Number	
1	Cap Screw (M6 x 50 DIN 912-8.8)	4	60118-340	
2	O-Ring (70 Duro Buna PRP-016)	2	68101-016	*▲
3	Spring	2	HU00071362	
4	Spring Collar	2	HU00400503	
5	Solenoid (24Volts)	2	HU00428266	
6	Connector Gray	1	HU00152503	
7	Connector Black	1	HU00085290	
8	Cap Screw (M4 x 65 DIN 912-8.8)	8	60118-340	□
9	O-Ring (70 Duro Buna PRP-010)	1	68101-010	*▲
10	O-Ring (70 Duro Buna PRP-025)	1	68101-025	*▲
11	O-Ring (70 Duro Buna PRP-013)	5	68101-013	*▲
12	Cap Screw (M6 x 20 DIN 912-8.8)	2	60118-058	

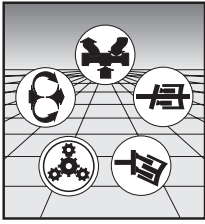
- * Contained in Seal Kit (P) 5450-635-031
- ▲ Contained in Seal Kit (N) 5450-635-032
- Included with 5406-580-002



Charge Pump (F00)



Assembly Number
HU00606320



REXROTH CORPORATION

MOBILE HYDRAULICS DIVISION

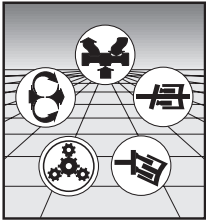
Charge Pump
(F00)

Assembly Number
HU00606320

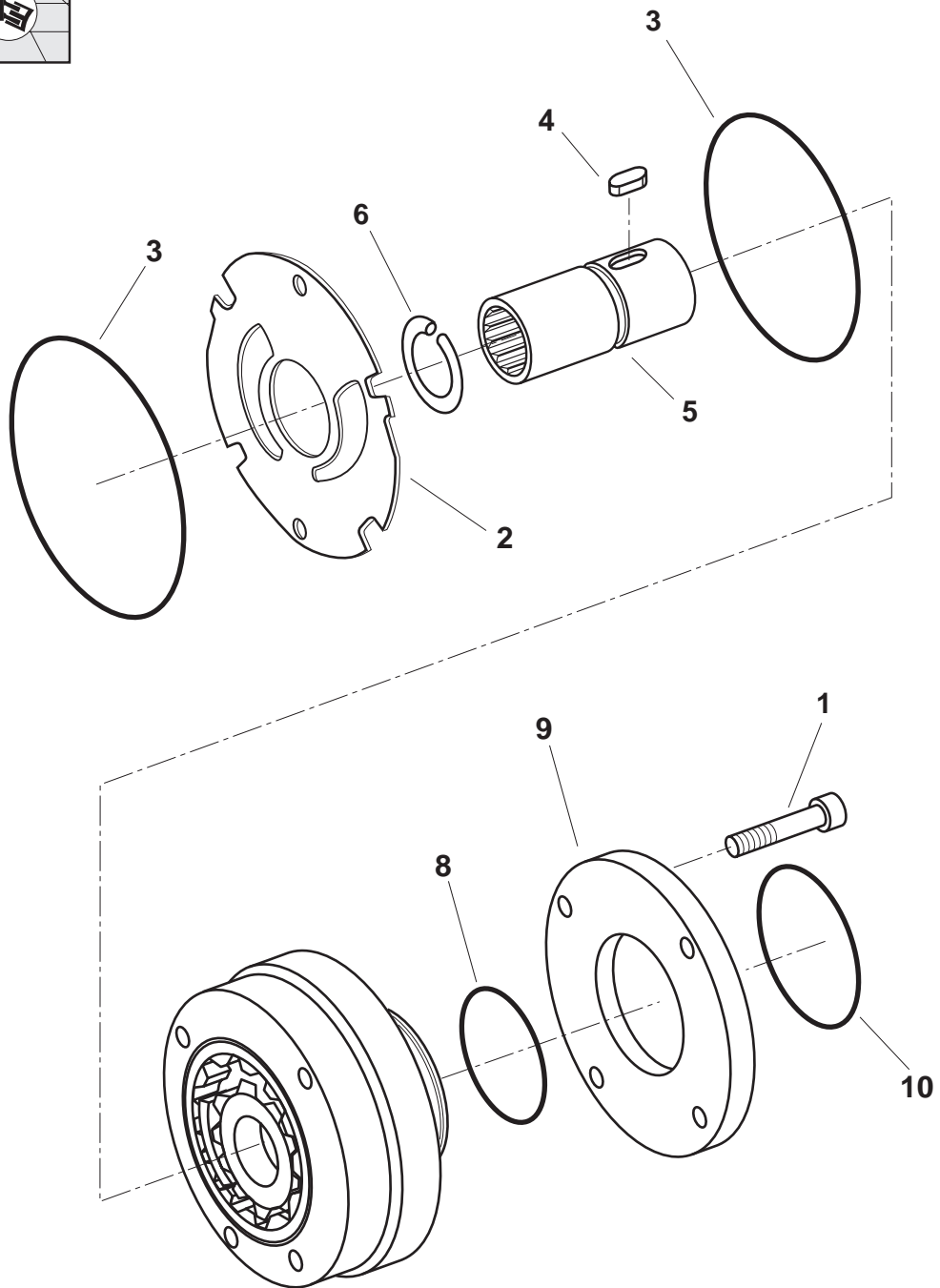
Item	Description	Qty	Part Number	
1	Cap Screw (M12 x 35 DIN 912-10.9)	4	60119-137	
2	O-Ring (70 Duro Buna PRP-048)	2	68101-048	*▲
3	Key	1	HU00445374	
4	Drive Shaft	1	HU00432764	
5	Retaining Ring (M50 x 2.5 DIN 7993)	1	71130-025	
6	Wear Plate	1	HU00650692	

* Contained in Seal Kit (P) 5450-635-031

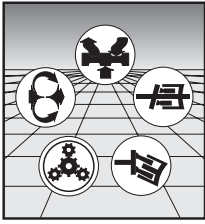
▲ Contained in Seal Kit (N) 5450-635-032



Thru Drive Charge Pump (F01...SAE-A)



Assembly Number
HU00606309



REXROTH CORPORATION

MOBILE HYDRAULICS DIVISION

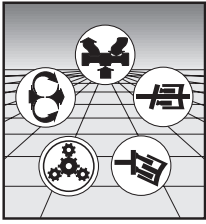
Thru Drive Charge Pump
(F01...SAE-A)

Assembly Number
HU00606309

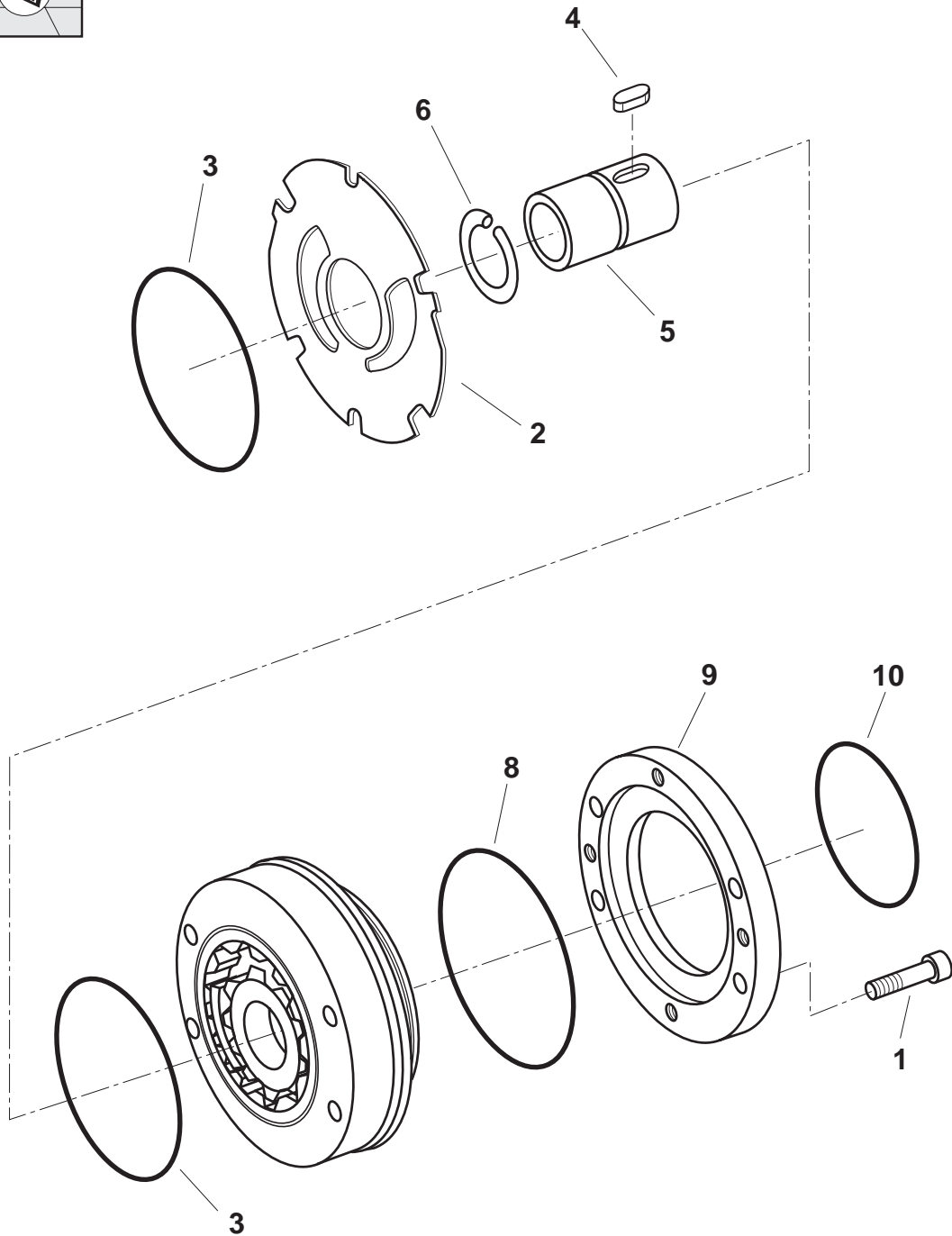
Item	Description	Qty	Part Number	
1	Cap Screw (M12 x 40 DIN 6912-8.8)	4	60140-061	
2	Wear Plate	1	HU00650692	
3	O-Ring (70 Duro Buna PRP-048)	2	68101-048	*▲
4	Key	1	HU00445374	
5	Thru-Drive Coupling (SAE A)	1	HU00921854	
6	Retaining Ring	1	HU00154019	
8	O-Ring (90 Duro Buna PRP-151)	1	68104-151	*▲
9	Intermediate Plate	1	HU00440127	
10	O-Ring (70 Duro Buna M84 x 2)	1	68111-259	*▲

* Contained in Seal Kit (P) 5450-635-031

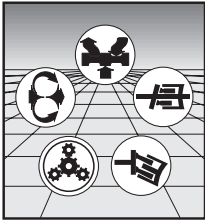
▲ Contained in Seal Kit (N) 5450-635-032



Thru Drive Charge Pump (F02...SAE-B)



Assembly Number
HU00606312



REXROTH CORPORATION

MOBILE HYDRAULICS DIVISION

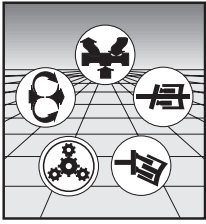
Thru Drive Charge Pump
(F02...SAE-B)

Assembly Number
HU00606312

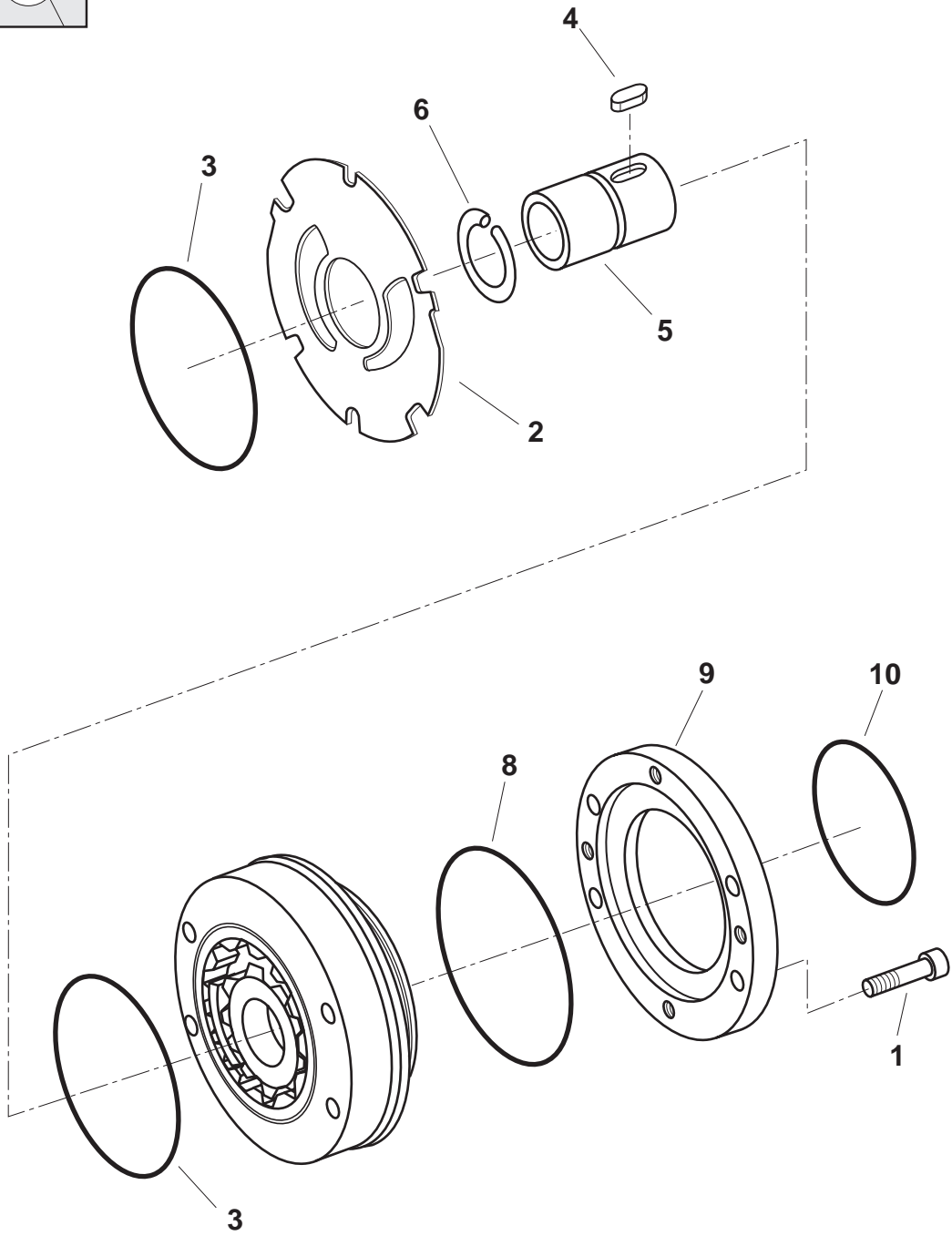
Item	Description	Qty	Part Number	
1	Cap Screw (M12 x 40 DIN 912-10.9)	4	60119-138	
2	Wear Plate	1	HU00650692	
3	O-Ring (70 Duro Buna PRP-048)	1	68101-048	*▲
4	Key	1	HU00445374	
5	Thru-Drive Coupling (SAE "B")	1	HU00921855	
6	Retaining Ring (M50 x 2.5 DIN 7993)	1	71130-025	
7	O-Ring (70 Duro Buna PRP-048)	1	68101-048	*▲
8	O-Ring (70 Duro Buna PRP-158)	1	68101-158	*▲
9	Flange	1	HU00439650	
10	O-Ring (70 Duro Buna PRP-155)	1	68101-155	*

* Contained in Seal Kit (P) 5450-635-031

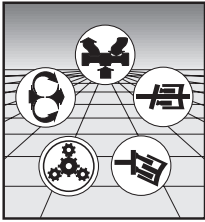
▲ Contained in Seal Kit (N) 5450-635-032



Thru Drive Charge Pump (F04...SAE-BB)



Assembly Number
HU00606314



REXROTH CORPORATION

MOBILE HYDRAULICS DIVISION

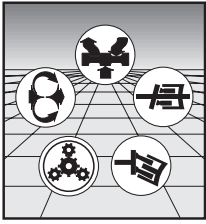
Thru Drive Charge Pump
(F04...SAE-BB)

Assembly Number
HU00606314

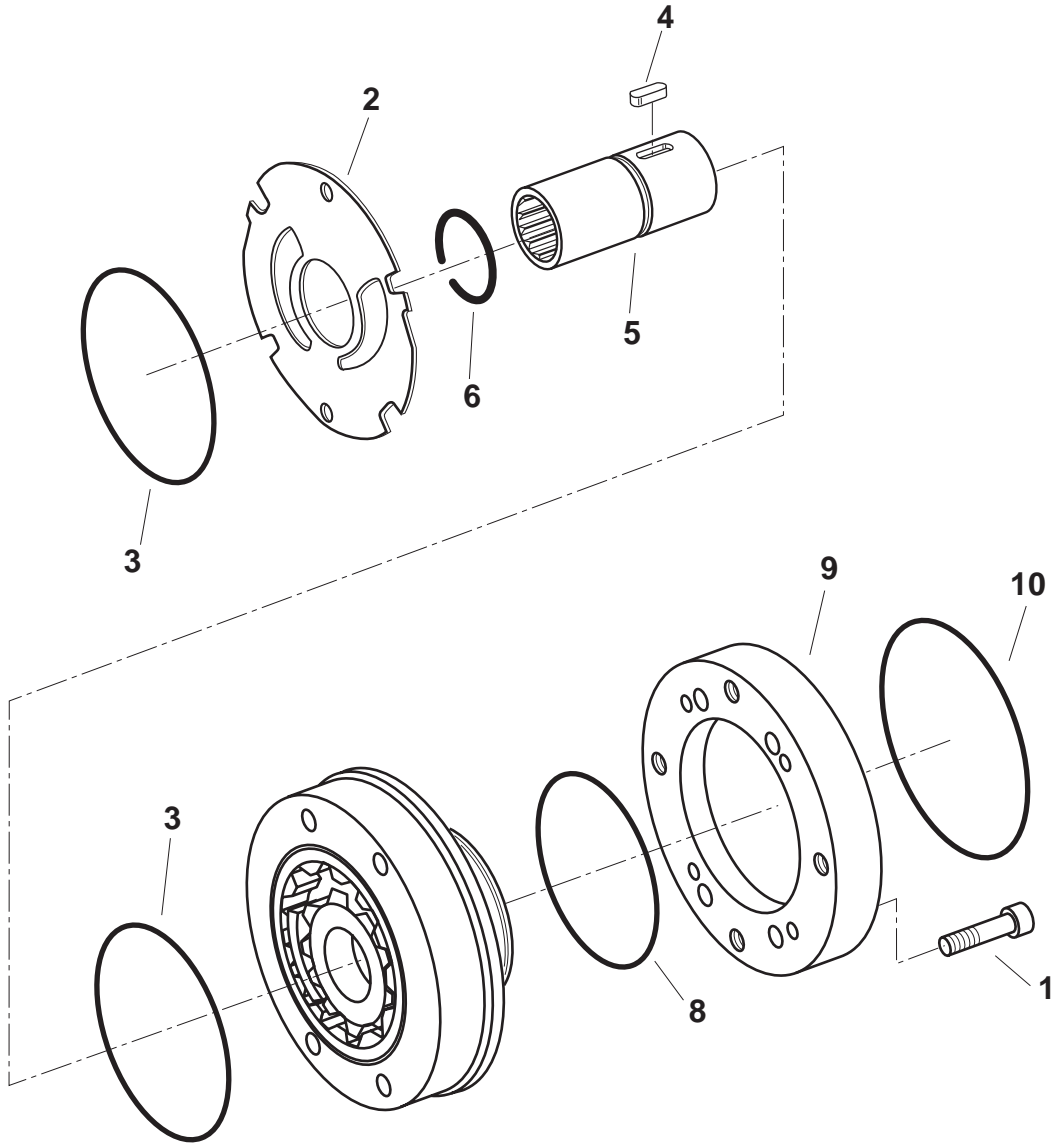
Item	Description	Qty	Part Number	
1	Cap Screw (M12 x 40 DIN 912-10.9)	4	60119-138	
2	Wear Plate	1	HU00650692	
3	O-Ring (70 Duro Buna PRP-048)	2	68101-048	*▲
4	Key	1	HU00445374	
5	Thru-Drive Coupling (SAE "B-B")	1	HU00921856	
6	Retaining Ring (M50 x 2.5 DIN 7993)	1	71130-025	
8	O-Ring (70 Duro Buna PRP-158)	1	68101-158	*▲
9	Intermediate Flange	1	HU00439650	
10	O-Ring (70 Duro Buna PRP-155)	1	68101-155	*

* Contained in Seal Kit (P) 5450-635-031

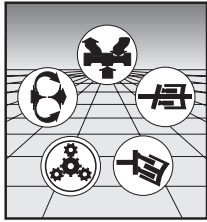
▲ Contained in Seal Kit (N) 5450-635-032



Thru Drive Charge Pump (F07...SAE-C)



Assembly Number
HU00606317



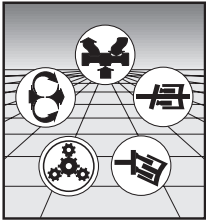
REXROTH CORPORATION MOBILE HYDRAULICS DIVISION

**Thru Drive Charge Pump
(F07...SAE-C)**

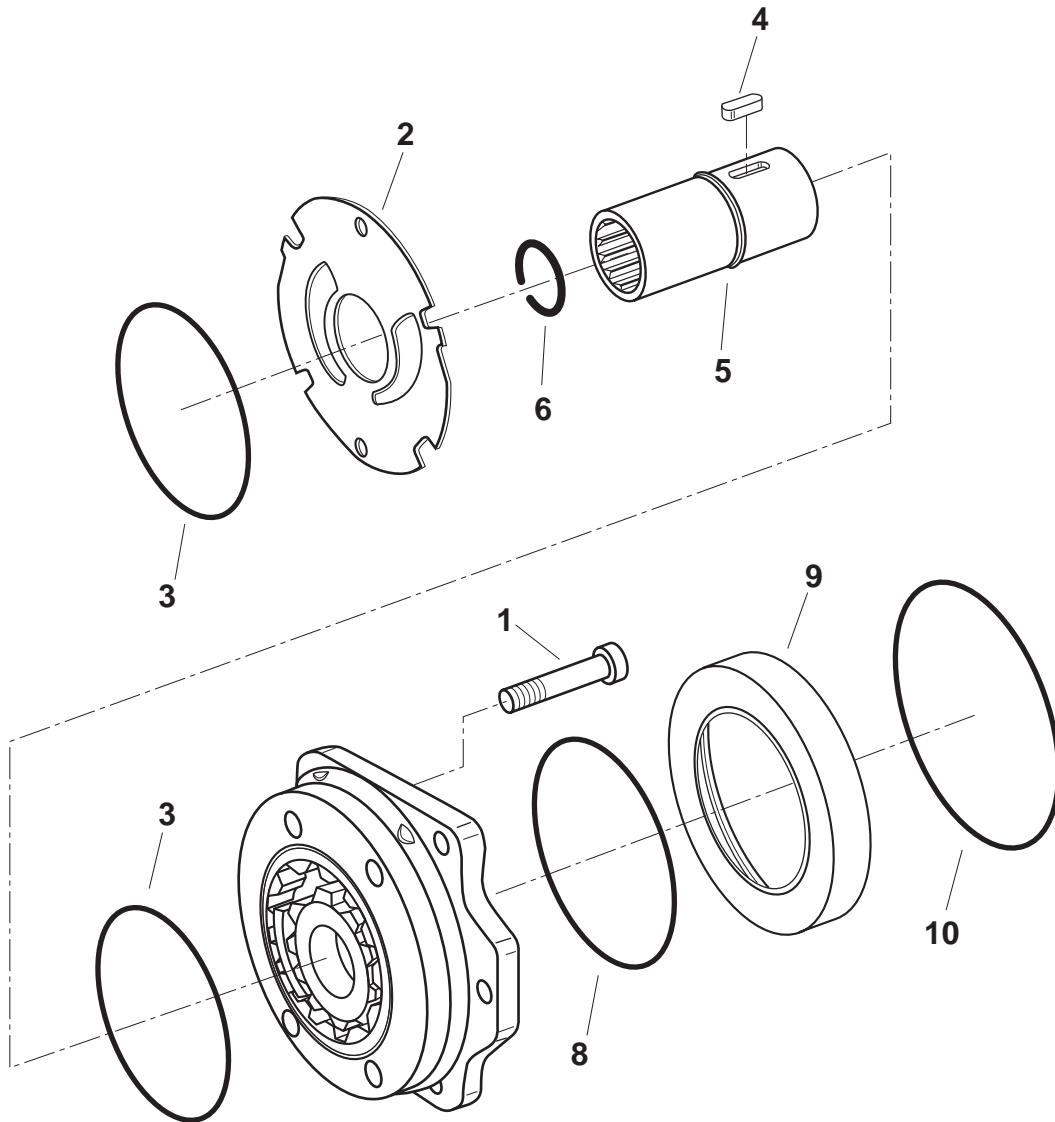
**Assembly Number
HU00606317**

Item	Description	Qty	Part Number	
1	Cap Screw (M12 x 45 DIN 912-10.9)	4	60119-139	
2	Wear Plate	1	HU00650692	
3	O-Ring (70 Duro Buna PRP-048)	2	68101-048	*▲
4	Key	1	HU00445374	
5	Thru-Drive Coupling (SAE "C")	1	HU00921857	
6	Retaining Ring (M50 x 2.5 DIN 7993)	1	71130-025	
8	O-Ring (70 Duro Buna PRP-158)	1	68101-158	*▲
9	Intermediate Flange	1	HU00443538	
10	O-Ring (70 Duro Buna PRP-159)	1	68101-159	*▲

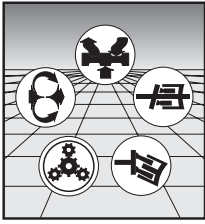
- * Contained in Seal Kit (P) 5450-635-031
- ▲ Contained in Seal Kit (N) 5450-635-032



Thru Drive Charge Pump (F069...D)



Assembly Number
HU00606330



REXROTH CORPORATION MOBILE HYDRAULICS DIVISION

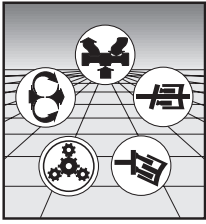
Thru Drive Charge Pump
(F069...SAE-D)

Assembly Number
HU00606330

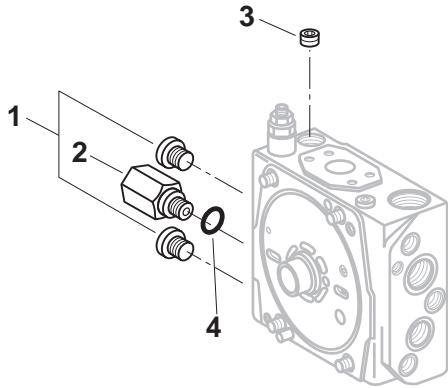
Item	Description	Qty	Part Number	
1	Cap Screw (M12 x 35 DIN 912-10.9)	4	60119-137	
2	Wear Plate	1	HU00650692	
3	O-Ring (70 Duro Buna PRP-048)	2	68101-048	*▲
4	Key	1	HU00445371	
5	Thru-Drive Coupling (SAE "D")	1	HU00921104	
6	Retaining Ring (M32 x 2.5 DIN 7993)	1	71129-015	
8	O-Ring (90 Duro Buna PRP-247)	1	68104-247	*▲
9	Intermediate Flange	1	HU00439933	
10	O-Ring (90 Duro Buna PRP-258)	1	68104-258	*▲

* Contained in Seal Kit (P) 5450-635-031

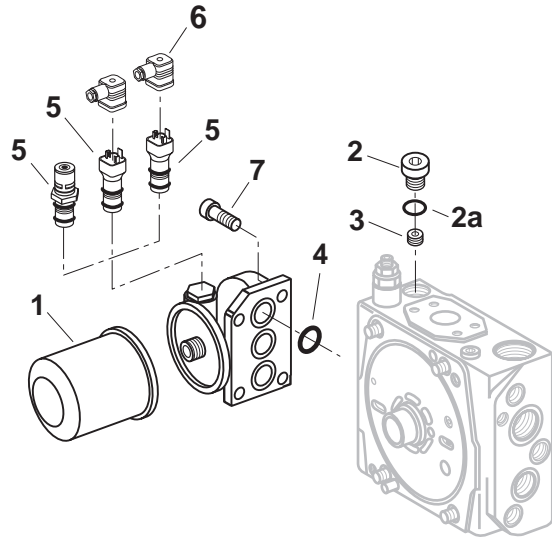
▲ Contained in Seal Kit (N) 5450-635-032



Filtration Options



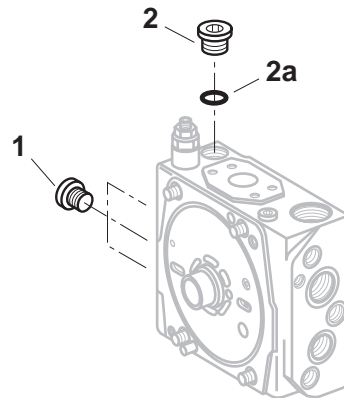
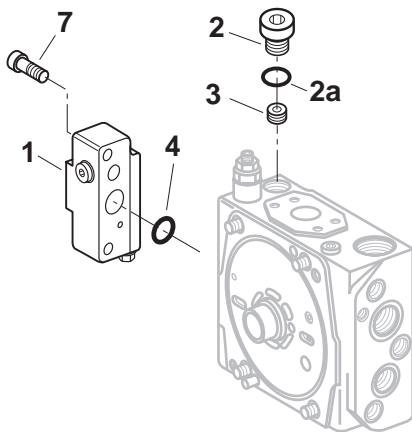
Option D

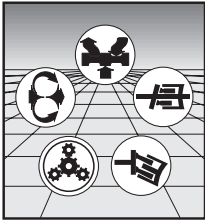


Option's F, P, L, M

Option K

Option S





REXROTH CORPORATION

MOBILE HYDRAULICS DIVISION

Filtration Options

Item	Description	Qty	Part Number	
Option D				
1	Plug (M33 x 2)	2	76116-008	*▲
2	Adapter fitting	1	HU00442847	
3	Plug (M20 x 1.5 DIN 906)	1	76117-008	
4	O-Ring (90 Duro Buna PRP-126)	1	68104-126	*▲
Option F, P, L, M				
1	Filter Element	1	HU00157926	
2	Plug (1 5/16-12 UNF)	1	76107-016	
2a	O-Ring (90 Duro Buna Tube PRP-916)	1	68105-916	*▲
3	Plug (M20 x 1.5 DIN 906)	1	76117-008	
4	O-Ring (90 Duro Buna PRP-126)	3	68104-126	*▲
5	Visual Contamination Indicator	1	HU00830834	
5	Electrical Contamination Indicator	1	HU00830265	
5	Visual and Electrical Contamination Indicator	1	HU00830543	
6	Electrical Connector	1	HU00152503	
7	Cap Screw (M8 x 25 DIN 912-8.8)	4	60118-083	
Option K				
1	Cold Start Valve	1	HU02006412	
2	Plug (1 5/16-12 UNF)	1	76107-016	
2a	O-Ring (90 Duro Buna Tube PRP-916)	1	68105-916	*▲
3	Plug (M20 x 1.5 DIN 906)	1	76117-008	
4	O-Ring (90 Duro Buna PRP-126)	3	68104-126	*▲
7	Cap Screw (M8 x 30 DIN 912-8.8)	3	60118-084	
Option S				
1	Plug (M33 x 1.5)	3	76116-008	*▲
2	Plug (1 5/16-12 UNF)	1	76107-016	
2a	O-Ring (90 Duro Buna Tube PRP-916)	1	68105-916	*▲

* Contained in Seal Kit (P) 5450-635-031

▲ Contained in Seal Kit (N) 5450-635-032