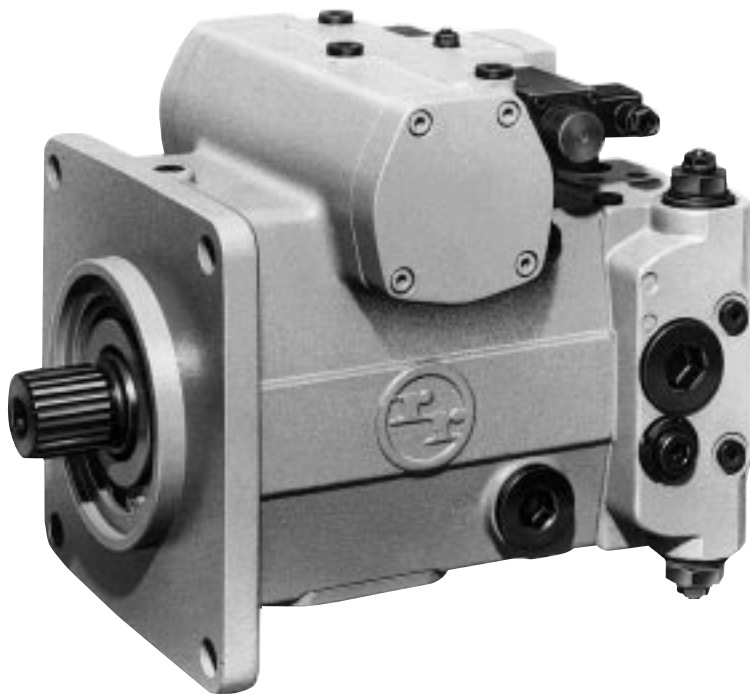


**MANNESMANN
REXROTH**

Mobile Division

E

Service Parts List



AA4VG

Series 32
Size 180

RA 92003-07-E
02.97

Ordering of AA4VG Parts

For Rexroth to supply the correct parts for your unit, please include all of the following information with your parts order.

TYPE CODE
TYPE NUMBER
SERIAL NUMBER
PART NUMBER
PART NAME

Due to modifications and improvements to our products, minor changes can occur to the parts, even though the type code may not necessarily reflect these changes. The type number and serial number will guarantee that the correct parts for your unit are supplied.

HYDROMATIK GMBH ULM (DONAU)		
THE REXROTH CORP., WOOSTER, OHIO		
TYPE		
AA4VG56HDD1/32R-NTC5K045E		
NO		
245.17.05.03		
SERIAL NO.	YEAR	MINERAL OIL
4154287	12.96	OIL
MADE IN GERMANY		
ROTATION		

ORDERING EXAMPLE

To order a replacement charge pump for an AA4VG hydrostatic transmission pump having the above nameplate, the following information would be required.

+ Type Code	AA4VG56HDD1/32R-NTC5K045E-S
+ Type Number	252.17.05.03
+ Serial Number	4154287
* Part Number	5421-005-015
* Part Name	Charge Pump

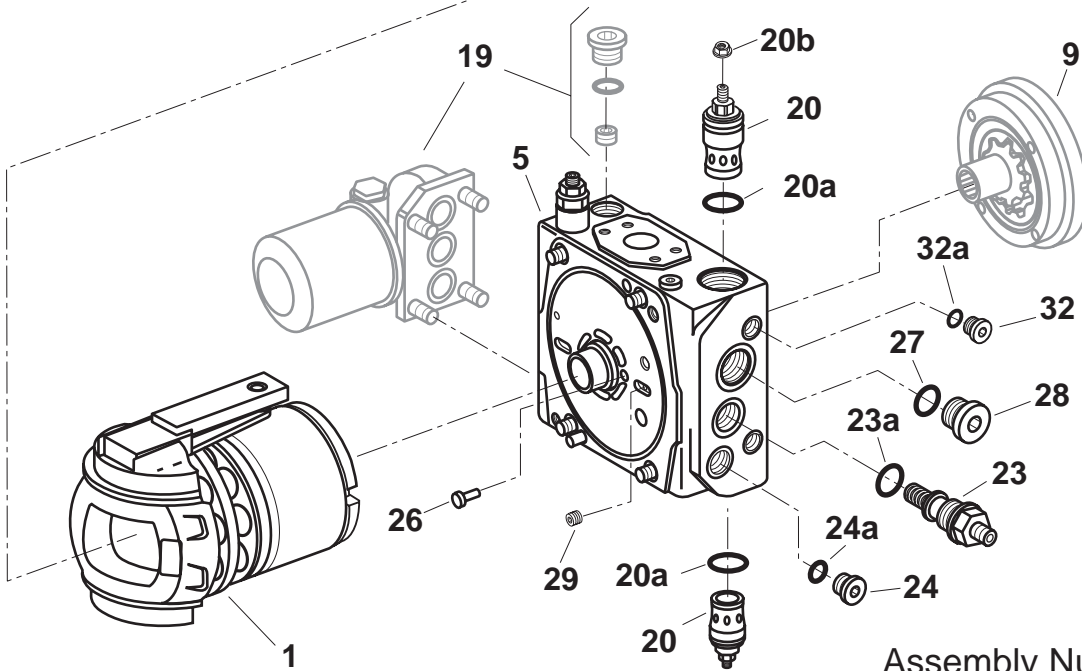
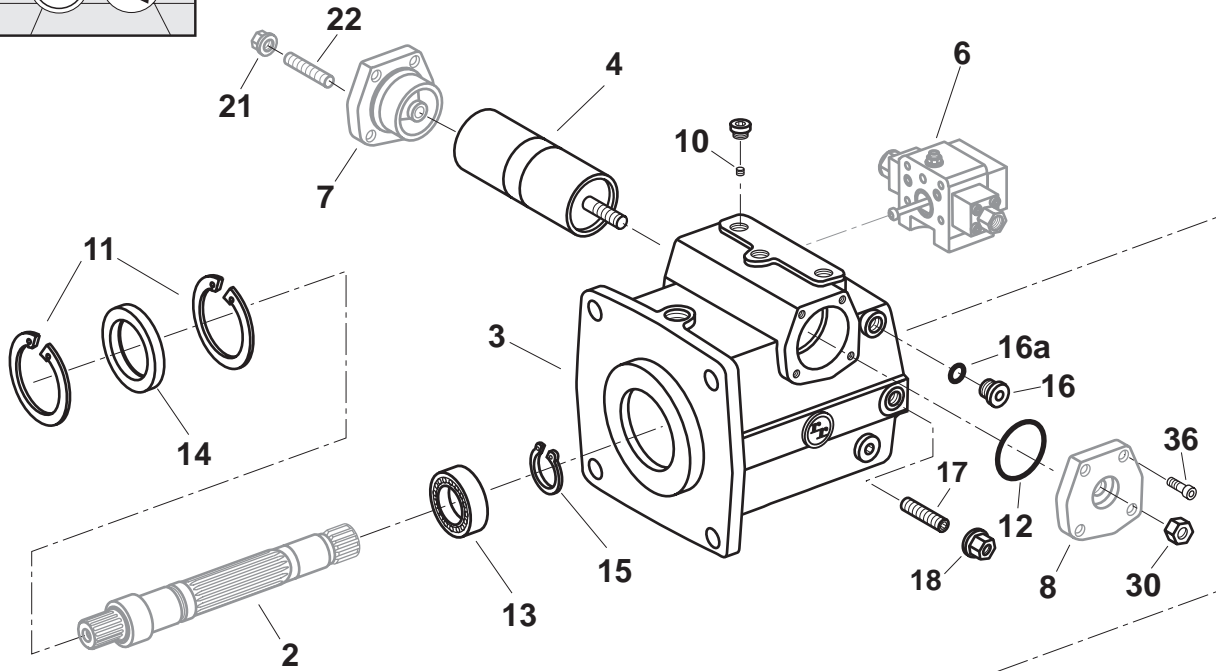
+ This information is taken from the nameplate on the pump.

* This information is taken from the Service Parts List.

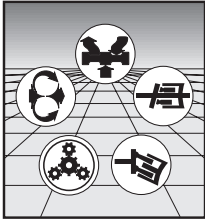
Index

Rotary Group (AA4VG180.../32L)	Page 8-9
Rotary Group (AA4VG180.../32R)	10-11
Housing Ass'y	12-13
Stroking Piston Ass'y	14-15
Port Block Ass'y	16-17
HW Control	18-19
HW (L) Control	20-21
HD Control	22-23
EP1 Control	24-25
EP2 Control	26-27
EZ1 Control	28-29
EZ2 Control	30-31
Charge Pump (F00)	32-33
Thru Dr. Chg. Pump (F01...SAE-A)	34-35
Thru Dr. Chg. Pump (F02...SAE-B)	36-37
Thru Dr. Chg. Pump (F04...SAE-BB)	38-39
Thru Dr. Chg. Pump (F07...SAE-C)	40-41
Thru Dr. Chg. Pump (F69...SAE-D)	42-43
Filtration Options	44-45





Assembly Number
AA4VG180/32

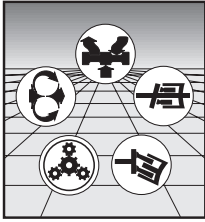


REXROTH CORPORATION

MOBILE HYDRAULICS DIVISION

Assembly Number
AA4VG180/32

Item	Description	Qty	Part Number	
1	Rotary Group Ass'y AA4VG180.../32L		5480-570-004	
1	Rotary Group Ass'y AA4VG180.../32R		5480-570-003	
2	Drive Shaft AA4VG180.../32...S		HU00921726	
2	Drive Shaft AA4VG180.../32...T		HU00921727	
3	Housing Ass'y	1	<i>Pages 12 & 13</i>	
4	Stroking Piston Ass'y	1	<i>Pages 14 & 15</i>	
5	Port Block Ass'y	1	<i>Pages 16 & 17</i>	
6	Control AA4VG180HW.../32		HU00608521	
6	Control AA4VG180HW...L/32		HU00608524	
6	Control AA4VG180HD.../32		HU00602245	
6	Control AA4VG180EP1.../32		HU00602248	
6	Control AA4VG180EP2.../32		HU00602247	
6	Control AA4VG180EZ1.../32		HU00437191	
6	Control AA4VG180EZ2.../32		HU00437190	
7	Stroking Piston Cover AA4VG180...		HU00650546	
7	Stroking Piston Cover AA4VG180...M		HU00650548	
7	Stroking Piston Cover AA4VG180...T		HU00922026	
7	Stroking Piston Cover AA4VG180...M...T		HU00651556	
8	Stroking Piston Cover AA4VG180...		HU00650545	
8	Stroking Piston Cover AA4VG180...M		HU00650547	
8	Stroking Piston Cover AA4VG180...T		HU00922025	
8	Stroking Piston Cover AA4VG180...M...T		HU00651555	
9	Charge Pump ...F00		HU00606233	
9	Thru Dr. Chg. Pump ...F01 (SAE-A)		HU00606225	
9	Thru Dr. Chg. Pump ...F02 (SAE-B)		HU00606228	
9	Thru Dr. Chg. Pump ...F04 (SAE-BB)		HU00606226	
9	Thru Dr. Chg. Pump ...F07 (SAE-C)		HU00606241	
9	Thru Dr. Chg. Pump ...F69 (SAE-D)		HU00606245	



REXROTH CORPORATION

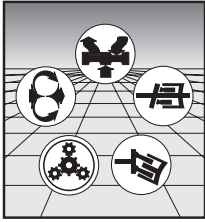
MOBILE HYDRAULICS DIVISION

Assembly Number
AA4VG180/32

Item	Description	Qty	Part Number	
10	Stroking Time Orifice (1.0 mm)	2	HU00426700	
10	Stroking Time Orifice (0.8 mm)		HU00426701	
10	Stroking Time Orifice (0.9 mm)		HU00426702	
10	Stroking Time Orifice (1.2 mm)		HU00426703	
10	Stroking Time Orifice (1.4 mm)		HU00426704	
10	Stroking Time Orifice (1.6 mm)		HU00426705	
10	Stroking Time Orifice (1.8 mm)		HU00426706	
10	Stroking Time Orifice (2.0 mm)		HU00426707	
10	Stroking Time Orifice (2.2 mm)		HU00426708	
10	Stroking Time Orifice (2.4 mm)		HU00439372	
10	Stroking Time Orifice (2.5 mm)		HU00426709	
11	Snap Ring (106 x 4 DIN 984)	2	HU02600142	
12	O-Ring (70 Duro Buna PRP-238)	2	68101-238	*▲
13	Front Bearing	1	HU00157194	
14	Shaft Seal (Buna)		HU00830973	*
14	Shaft Seal (FPM)		HU00830979	▲
15	Snap Ring (52 x 2.0 DIN 471)	1	71119-041	
16	Plug (9/16-18)	1	76107-006	
16a	O-Ring (90 Duro Buna Tube PRP-906)	1	68105-906	*▲
17	Threaded Pin	1	HU00157393	
18	Seal Nut (M14 x 1.5)	1	65110-006	*▲
19	Filtration Options	1	<i>Pages 44 & 45</i>	

* Contained in Seal Kit (P) 5480-635-007

▲ Contained in Seal Kit (N) 5480-635-008



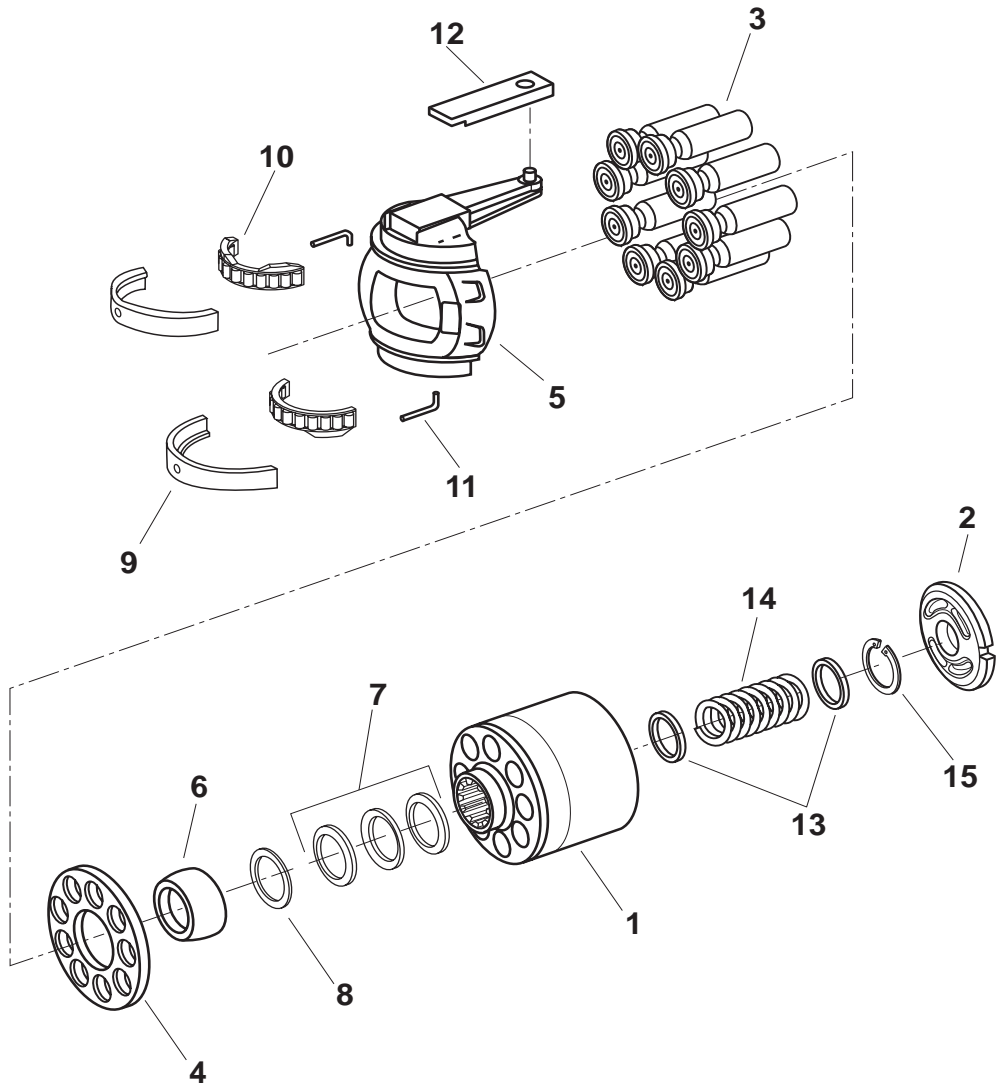
REXROTH CORPORATION

MOBILE HYDRAULICS DIVISION

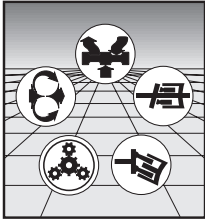
Assembly Number
AA4VG180/32

Item	Description	Qty	Part Number	
20	H.P.R.V. w/ Tow Option (1450-6100 psi)		HU00832121	
20a	O-Ring (90 Duro Buna PRP-121)	2	68104-221	*▲□
20b	Seal Nut (M10 x 1)	2	65110-007	*▲□
21	Seal Nut (M12 x 1.75)		65110-002	*▲
22	Stroke Limiting Screw		HU00432790	
23	Charge Relief Valve		HU00437151	
23a	O-Ring (90 Duro Buna PRP-120)	1	68104-120	*▲★
24	Plug (7/8-14)	1	76107-010	
24a	O-Ring (90 Duro Buna Tube PRP-910)	1	68105-910	*▲○
26	Lens Pin	1	HU00405732	
27	O-Ring (90 Duro Buna PRP-129)	1	68104-129	*▲
28	Plug (M42 x 2 DIN 908-5.8)	1	76118-002	
29	Plug (M8 x 1 DIN 906-5.8)	1	76117-003	
30	Jam Nut (M16 x 1.5 DIN 439-04AU)	1	HU00157477	
32	Plug (7/16-20)	2	76107-004	
32a	O-Ring (90 Duro Buna Tube PRP-904)	2	68105-904	*▲■
36	Cap Screw (M8 x 30 DIN 912-8.8)	8	60118-084	

- * Contained in Seal Kit (P) 5480-635-007
- ▲ Contained in Seal Kit (N) 5480-635-008
- ★ Included with HU00437151
- Included with HU00832121
- Included with 76107-004
- Included with 76107-010



Assembly Number
5480-570-004



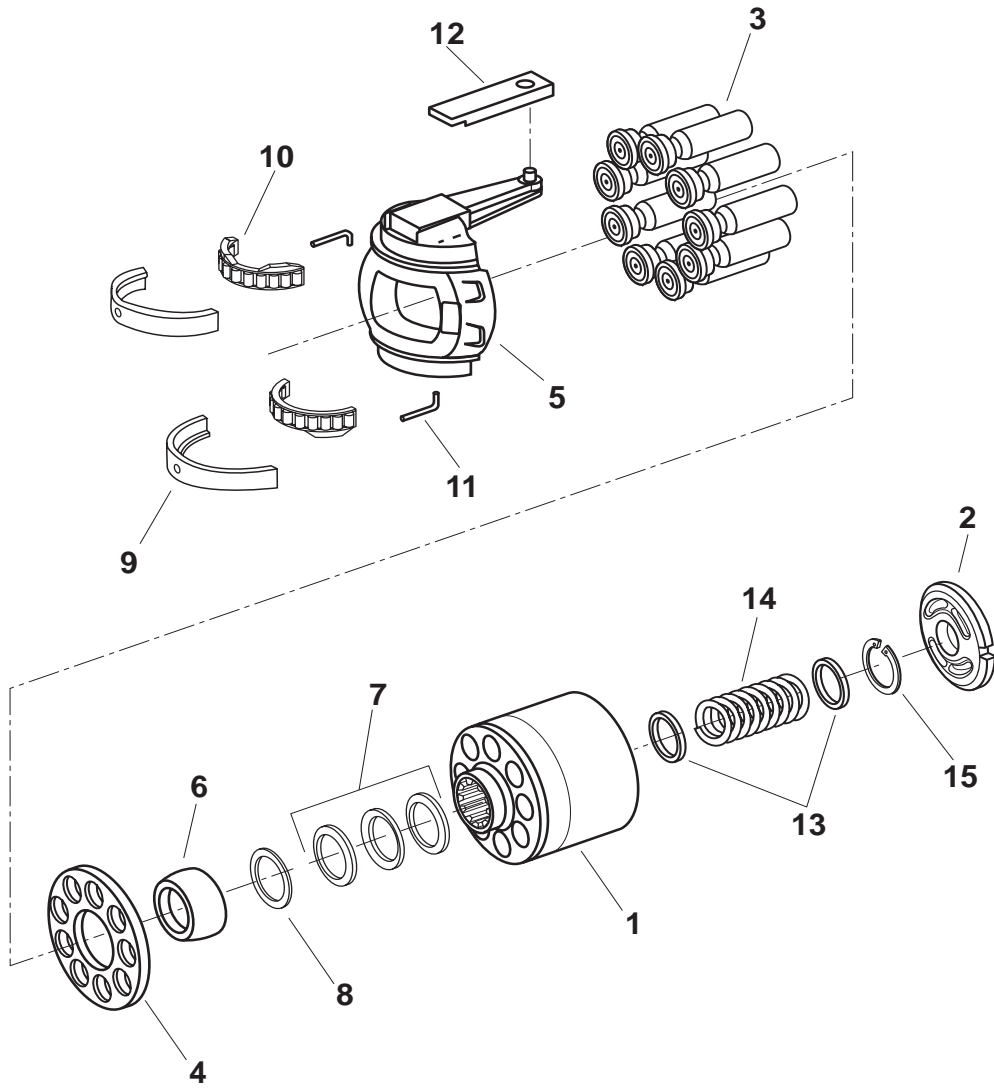
REXROTH CORPORATION

MOBILE HYDRAULICS DIVISION

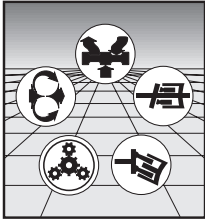
Assembly Number
5480-570-004

Item	Description	Qty	Part Number	
1	Barrel	1	HU00449877	
2	Lens/CCW	1	HU00650715/CCW	
3	Piston	9	HU00429499	
4	Retaining Plate	1	HU00445277	
5	Swash Plate	1	HU00445149	
6	Retaining Ball	1	HU00440135	
7	Cup Spring Stack	1	HU00445400	
8	Preload Shim (1.20 mm)	1	HU00432995	▲
8	Preload Shim (1.00 mm)	0	HU00432996	▲
8	Preload Shim (0.80 mm)	0	HU00432997	▲
8	Preload Shim (0.60 mm)	0	HU00432998	▲
9	Bearing Race (Pair)	1	HU00650056	
10	Cradle Bearing (Set)	1	HU00830146	
11	Wire	2	HU00403549	
12	Slide Ring	1	HU00449811	
13	Shim	2	HU00449875	
14	Spring	1	HU00435429	
15	Retaining Ring (M62 x 2.0 DIN 472)	1	71128-006	

▲ Select the correct preload shim to set the rotary group preload.



Assembly Number
5480-570-003



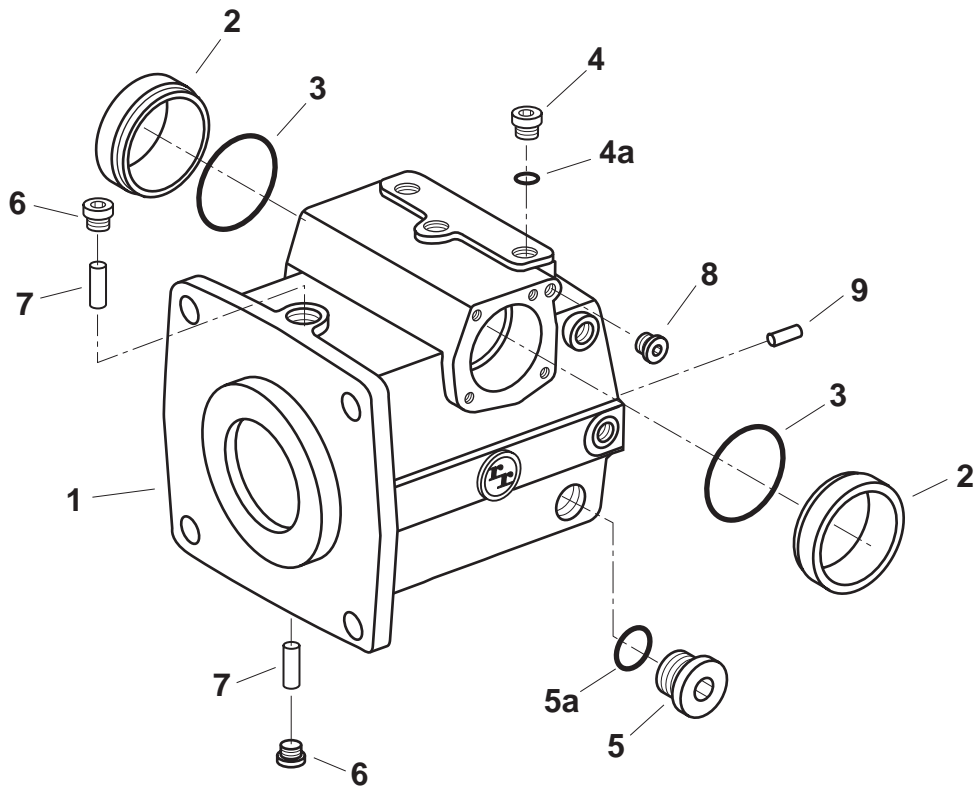
REXROTH CORPORATION

MOBILE HYDRAULICS DIVISION

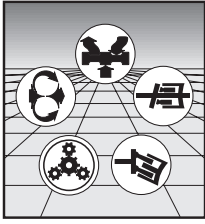
Assembly Number
5480-570-003

Item	Description	Qty	Part Number	
1	Barrel	1	HU00449877	
2	Lens (CW)	1	HU00650715/CW	
3	Piston	9	HU00429499	
4	Retaining Plate	1	HU00445277	
5	Swash Plate	1	HU00445149	
6	Retaining Ball	1	HU00440135	
7	Cup Spring Stack	1	HU00445400	
8	Preload Shim (1.20 mm)	1	HU00432995	▲
8	Preload Shim (1.00 mm)	0	HU00432996	▲
8	Preload Shim (0.80 mm)	0	HU00432997	▲
8	Preload Shim (0.60 mm)	0	HU00432998	▲
9	Bearing Race (Pair)	1	HU00650056	
10	Cradle Bearing (Set)	1	HU00830146	
11	Wire	2	HU00403549	
12	Slide Ring	1	HU00449811	
13	Shim	2	HU00449875	
14	Spring	1	HU00435429	
15	Retaining Ring (M62 x 2.0 DIN 472)	1	71128-006	

▲ Select the correct preload shim to set the rotary group preload.



Assembly Number
Housing Ass'y



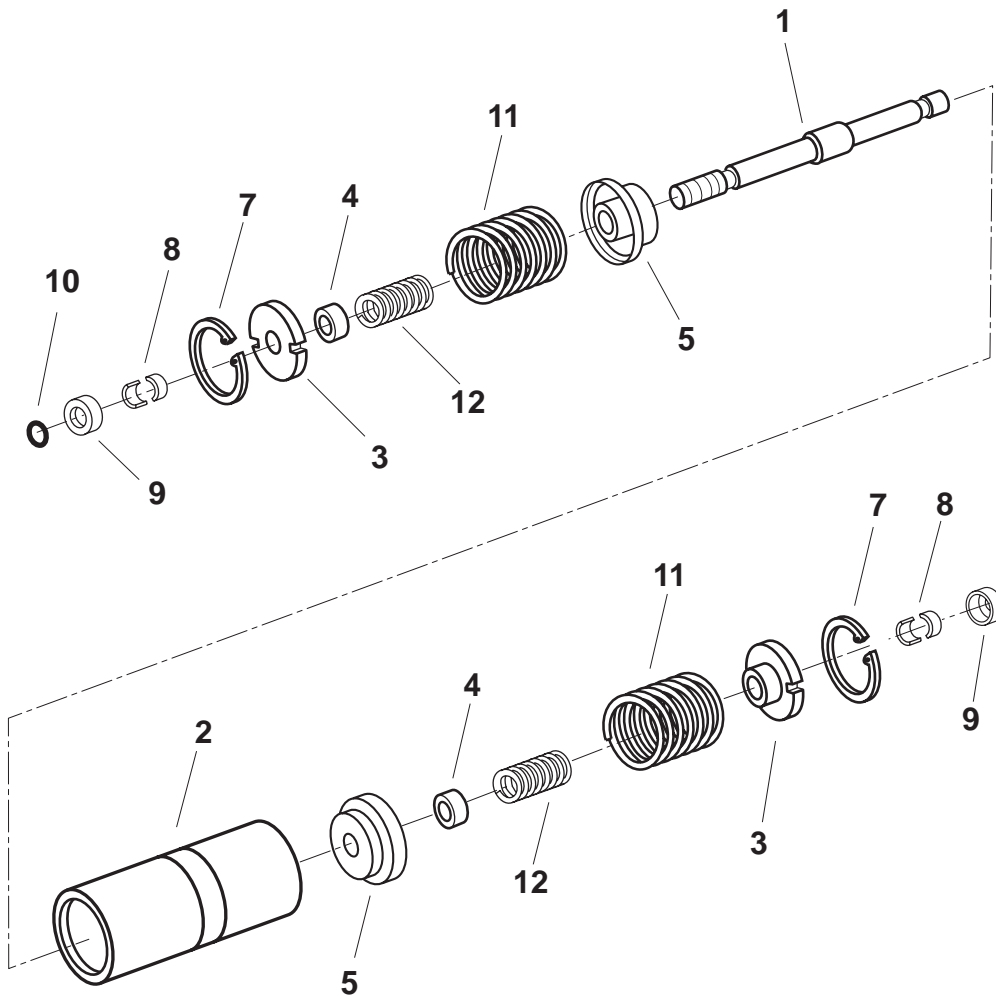
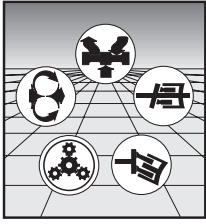
REXROTH CORPORATION

MOBILE HYDRAULICS DIVISION

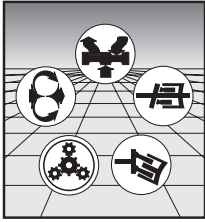
Assembly Number
Housing Ass'y

Item	Description	Qty	Part Number	
1	Housing AA4VG180/32	1	HU00445951	
2	Bushing	2	HU00426317	
3	O-Ring (70 Duro Buna PRP-238)	2	68101-238	*▲
4	Plug (9/16-18)	4	76107-006	
4a	O-Ring (90 Duro Buna Tube PRP-906)	4	68105-906	*▲●
5	Plug (1-5/8-12)	1	76107-020	
5a	O-Ring (90 Duro Buna Tube PRP-920)	1	68105-920	*▲■
6	Plug (M12 x 1.5)	2	76116-002	*▲
7	Pin	2	HU00426653	
8	Plug (M10 x 1)	2	76116-004	*▲
9	Roll Pin (M3 x 12 DIN 7344)	2	HU00153512	

- * Contained in Seal Kit (P) 5480-635-007
- ▲ Contained in Seal Kit (N) 5480-635-008
- Included with 76107-006
- Included with 76107-020



Assembly Number
Stroking Piston Ass'y



REXROTH CORPORATION

MOBILE HYDRAULICS DIVISION

Assembly Number Stroking Piston Ass'y

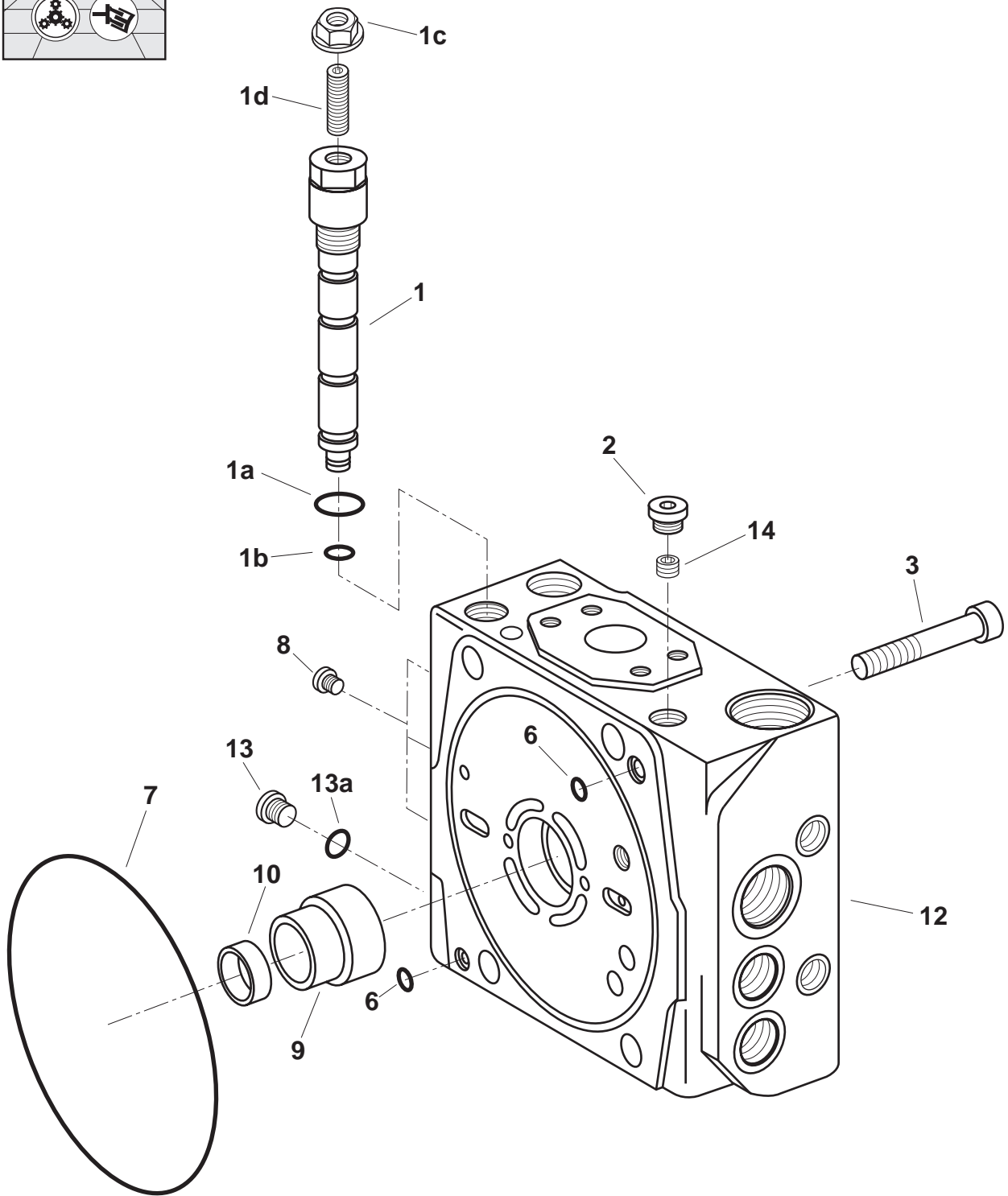
Item	Description	Qty	Part Number	
1	Rod	1	HU00449242	
2	Piston	1	HU00436895	
3	Spring Collar	2	HU00449253	
4	Spacer Ring (17.45 mm)	2	HU00436960	■
4	Spacer Ring (17.55 mm)	0	HU00436961	■
4	Spacer Ring (17.35 mm)	0	HU00436962	■
4	Spacer Ring (17.75 mm)	0	HU00445799	■
4	Spacer Ring (17.65 mm)	0	HU00445800	■
4	Spacer Ring (17.25 mm)	0	HU00445801	■
5	Spring Collar	2	HU00449254	
7	Retaining Ring (72 x 2.5 DIN 472)	2	71128-054	
8	Keepers (8.00 mm) set	2	HU00435018	✕
8	Keepers (7.85 mm) set	0	HU00435019	✕
8	Keepers (7.90 mm) set	0	HU00435020	✕
8	Keepers (7.95 mm) set	0	HU00435021	✕
8	Keepers (8.05 mm) set	0	HU00435022	✕
8	Keepers (8.10 mm) set	0	HU00435023	✕
9	Retainer	2	HU00426311	
10	O-Ring (90 Duro Buna PRP-014)	1	68104-014	*▲
11	Spring (NV, HD, EP, HW control)	2	HU00436965	
11	Spring (DG control)	0	HU00436963	
12	Spring (NV, HD, EP, HW control)	2	HU00436966	
12	Spring (DG control)	0	HU00436964	

* Contained in Seal Kit (P) 5480-635-007

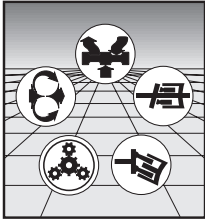
▲ Contained in Seal Kit (N) 5480-635-008

✕ Choose the correct Keeper to set retaining plate position.

■ Choose the correct Spacer Ring to set displacement.



Assembly Number
Port Block Ass'y



REXROTH CORPORATION

MOBILE HYDRAULICS DIVISION

Assembly Number
Port Block Ass'y

Item	Description	Qty	Part Number	
1	P.O.R. Assembly	1	HU00433834	
1a	O-Ring (90 Duro Buna PRP-112)	1	68104-112	*▲■
1b	O-Ring (90 Duro Buna PRP-115)	1	68104-115	*▲■
1c	Seal Nut (M8)	1	65110-004	*
1d	Adjusting Screw	1	H432167	
2	Plug (M12 x 1.5)	1	76116-002	
3	Cap Screw (M20 x 100 DIN 912-10.9)	4	60119-229	
6	O-Ring (90 Duro Buna PRP-014)	2	68104-014	*▲
7	O-Ring (90 Duro Buna PRP-259)	1	68104-259	*▲
8	Plug (M8 x 1)	3	76116-015	*▲
9	Bushing Support	1	HU00445670	
10	Bushing	1	HU00426695	
12	Port Block (AA4VG...180/32)	1	5480-430-003	
13	Plug (7/16-20)	1	76107-004	
13a	O-Ring (90 Duro Buna Tube PRP-904)	1	68105-904	*▲
14	Orifice (2.2 mm)	1	HU00426708	

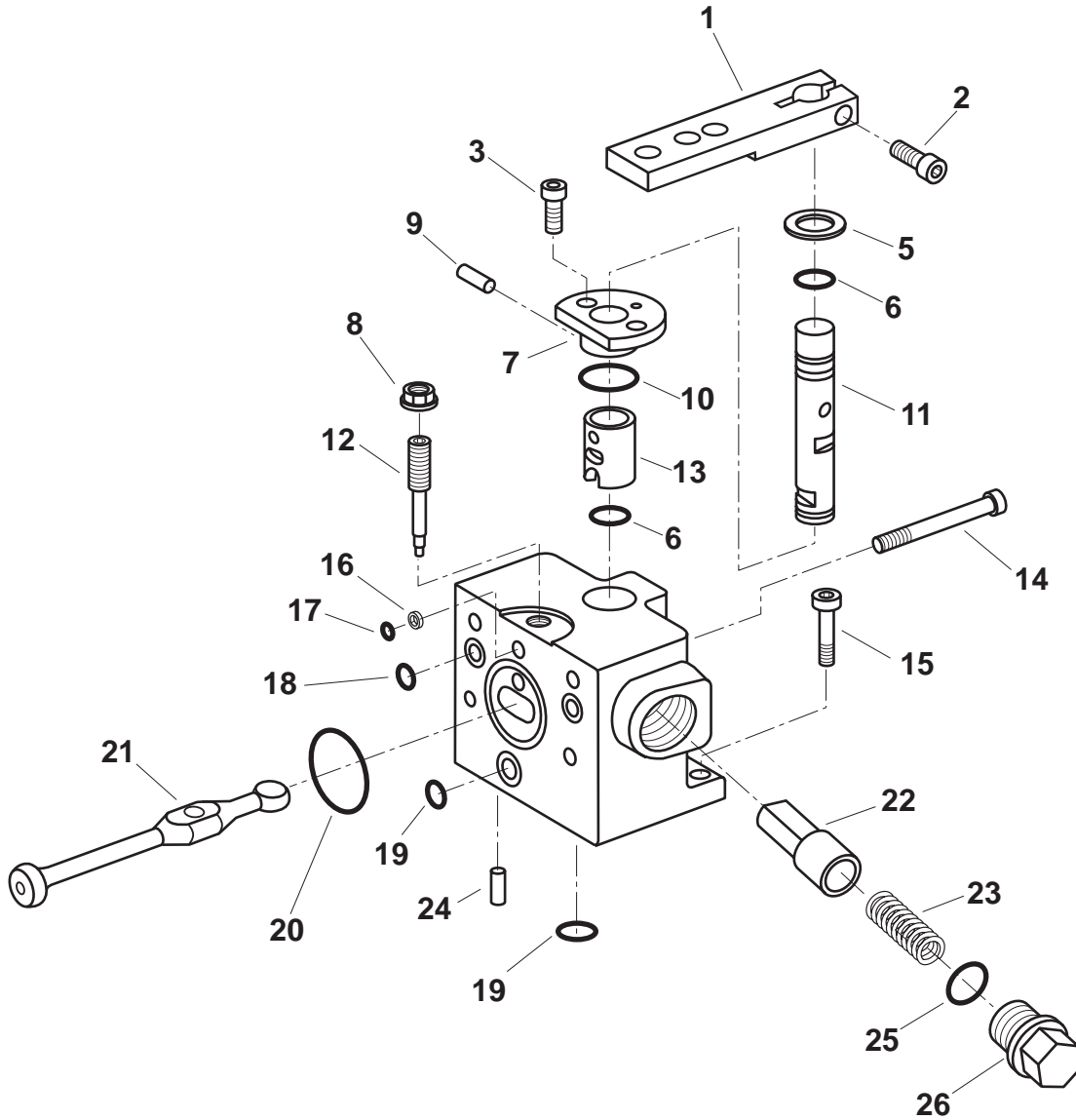
* Contained in Seal Kit (P) 5480-635-007

▲ Contained in Seal Kit (N) 5480-635-008

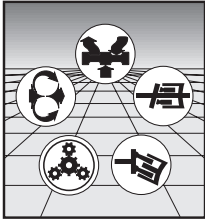
■ Contained with HU00433834



HW Control



Assembly Number
HU00608521



REXROTH CORPORATION

MOBILE HYDRAULICS DIVISION

HW Control

Assembly Number
HU00608521

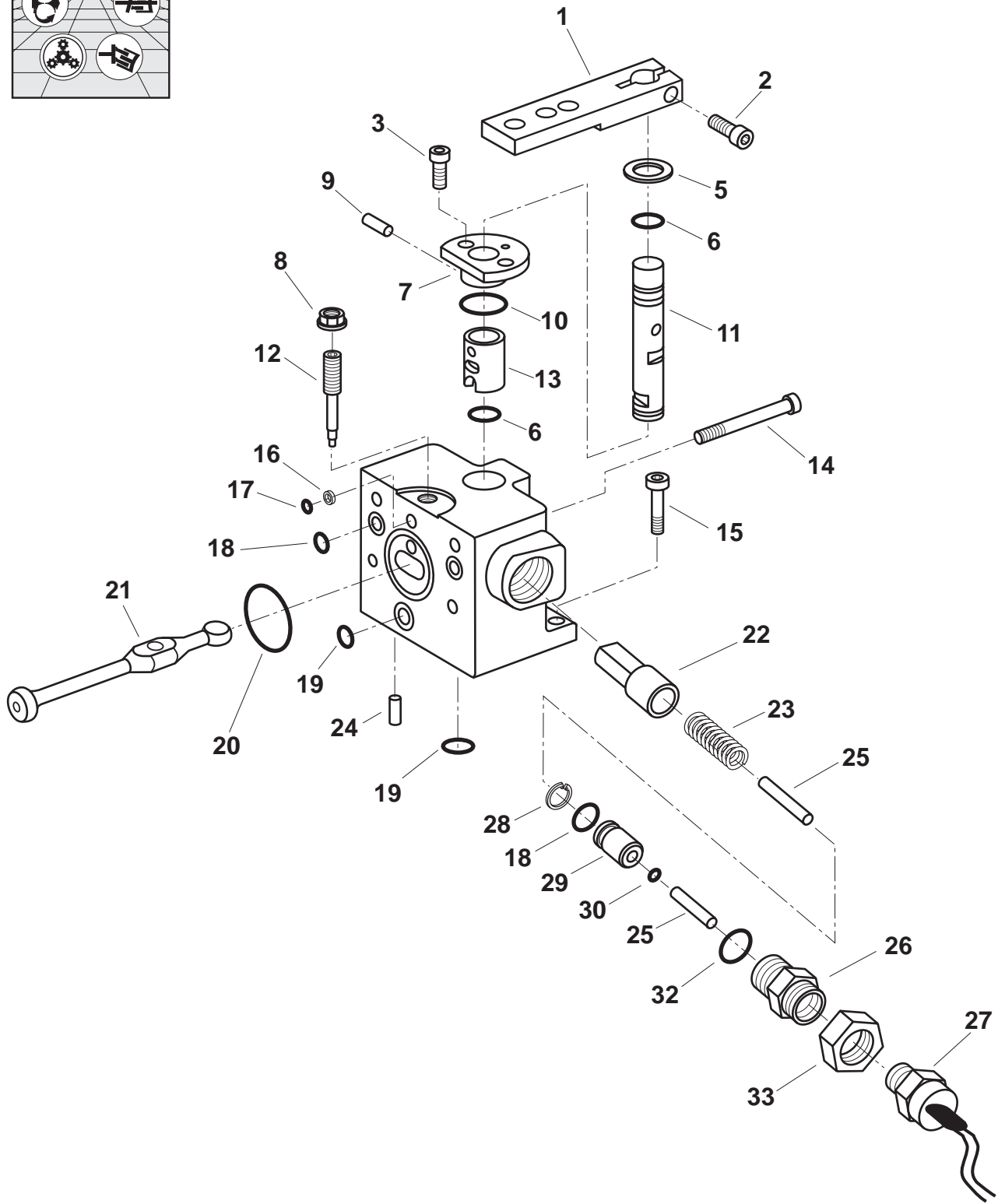
Item	Description	Qty	Part Number	
1	Handle	1	HU00400523	
2	Cap Screw (M5 x 20 DIN 912-8.8)	1	60118-037	
3	Cap Screw (M5 x 10 DIN 912-8.8)	2	60118-032	
5	Shim (14 x 20 x 1 DIN 988)	1	HU00153380	
6	O-Ring (70 Duro Buna PRP-013)	2	68101-013	*▲
7	Cover	1	HU00651212	
8	Seal Nut (M8)	1	65110-004	
9	Needle Roller (A 4 x 17.8 G2 DIN 5402)	1	HU00830413	
10	O-Ring (70 Duro Buna PRP-020)	1	68101-020	*▲
11	Control Shaft	1	HU00651216	
12	Eccentric Screw	1	HU00426570	
13	Control Bushing	1	HU00651213	
14	Cap Screw (M6 x 50 DIN 912-8.8)	4	60118-065	
15	Cap Screw (M6 x 20 DIN 912-8.8)	2	60118-058	
16	Spacer	1	HU00430006	
17	O-Ring (70 Duro Buna PRP-010)	1	68101-010	*▲
18	O-Ring (70 Duro Buna PRP-012)	2	68101-012	*▲
19	O-Ring (70 Duro Buna PRP-014)	2	68101-014	*▲
20	O-Ring (70 Duro Buna PRP-025)	1	68101-025	*▲
21	Feed Back Lever	1	HU00430005	
22	Spring Retainer	1	HU00650254	
23	Spring	1	HU00421991	
24	Dowell Pin (M6 x 14 DIN 6325)	1	69116-005	
25	O -Ring (90 Duro Buna PRP-115)	1	68104-115	*▲
26	Cap (M20 x 1.5 DIN 910-5.8)	1	HU00086753	

* Contained in Seal Kit (P) 5480-635-007

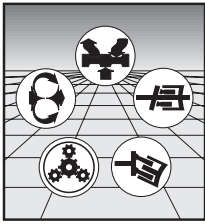
▲ Contained in Seal Kit (N) 5480-635-008



HW (L) Control



Assembly Number
HU00608524



REXROTH CORPORATION

MOBILE HYDRAULICS DIVISION

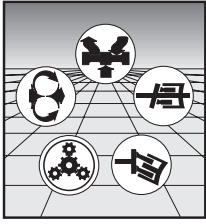
HW (L) Control

Assembly Number
HU00608524

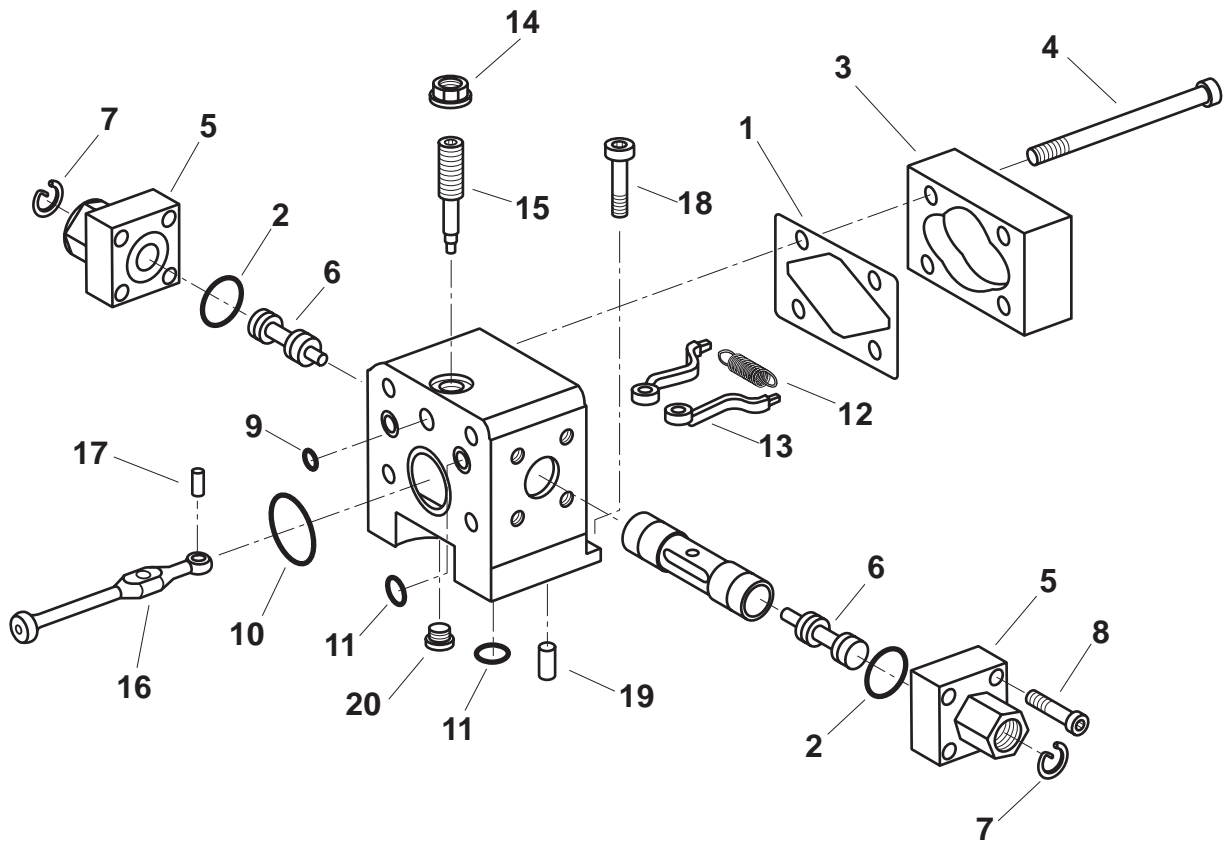
Item	Description	Qty	Part Number	
1	Handle	1	HU00400523	
2	Cap Screw (M5 x 20 DIN 912-8.8)	1	60118-037	
3	Cap Screw (M5 x 10 DIN 912-8.8)	2	60118-032	
5	Shim (14 x 20 x 1 DIN 988)	1	HU00153380	
6	O-Ring (70 Duro Buna PRP-013)	2	68101-013	*▲
7	Cover	1	HU00651212	
8	Seal Nut (M8 x 1.25)	1	65110-004	*▲
9	Pin (A4 x 17.8 G2 DIN 5402)	1	HU00830413	
10	O-Ring (70 Duro Buna PRP-020)	1	68101-020	*▲
11	Control Shaft	1	HU00651216	
12	Eccentric Screw	1	HU00426570	
13	Control Bushing	1	HU00651213	
14	Cap Screw (M6 x 50 DIN 912-8.8)	4	60118-065	
15	Cap Screw (M6 x 20 DIN 912-8.8)	2	60118-058	
16	Spacer	1	HU00430006	
17	O-Ring (70 Duro Buna PRP-010)	1	68101-010	*▲
18	O-Ring (70 Duro Buna PRP-012)	3	68101-012	*▲
19	O-Ring (70 Duro Buna PRP-014)	1	68101-014	*▲
20	O-Ring (70 Duro Buna PRP-025)	1	68101-025	*▲
21	Feed Back Lever	1	HU00430005	
22	Spring Retainer	1	HU00651844	
23	Spring	1	HU00421991	
24	Dowell Pin (M6 x 14 DIN 6325)	1	69116-005	
25	Pin (3 x 32 DIN 5402)	2	HU00651973	
26	Adapter	1	HU00444527	
27	Switch	1	HU00830731	
28	Snap Ring (M14 x 1 DIN 472)	1	HU00083380	
29	Seal Bushing	1	HU00444528	
30	O-Ring (70 Duro Buna PRP-006)	1	68101-006	*▲
32	O-Ring (90 Duro Buna PRP-115)	1	68104-115	*▲
33	Jam Nut (BM 20 x 1.5 DIN 439-04AU)	1	HU00830212	

* Contained in Seal Kit (P) 5480-635-007

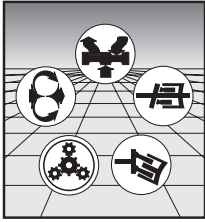
▲ Contained in Seal Kit (N) 5480-635-008



HD Control



Assembly Number
HU00602245



REXROTH CORPORATION

MOBILE HYDRAULICS DIVISION

HD Control

Assembly Number
HU00602245

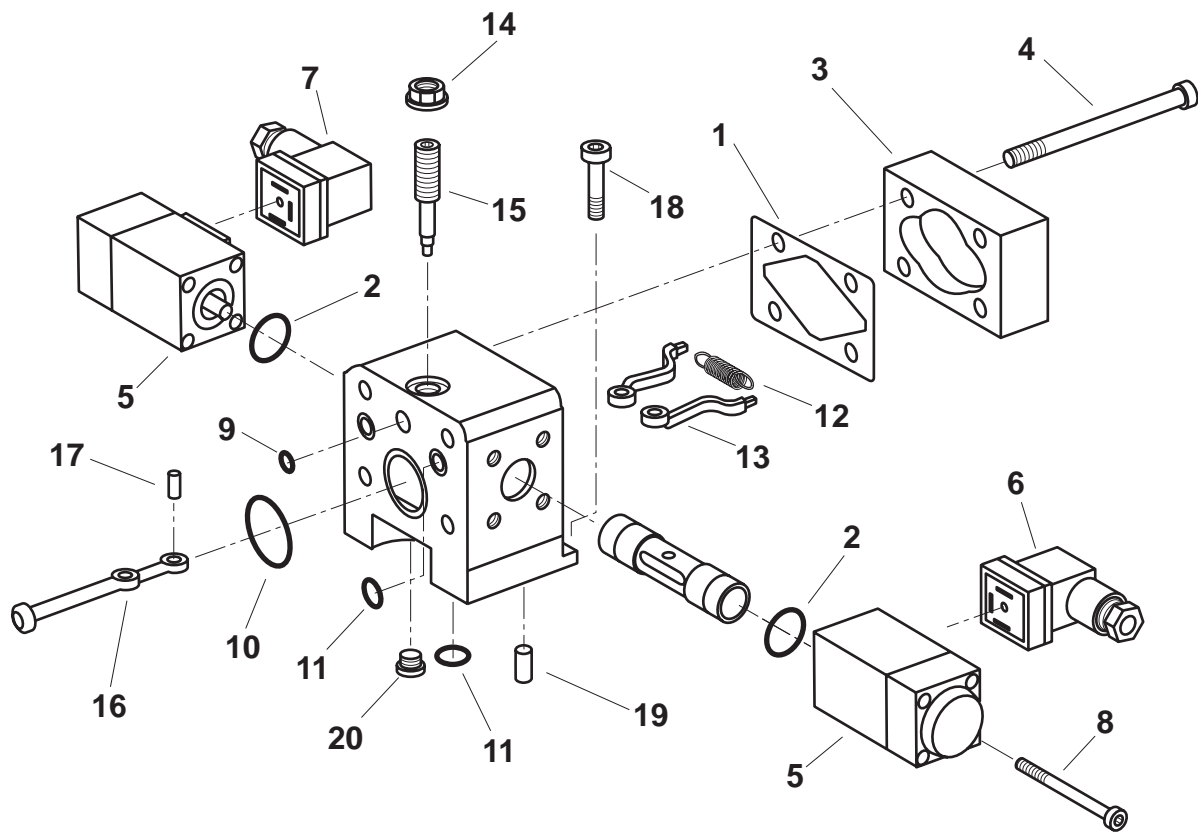
Item	Description	Qty	Part Number	
1	Gasket	1	HU00443634	*▲
2	O-Ring (70 Duro Buna PRP-018)	2	68101-018	*▲
3	Cover	1	HU00443201	
4	Cap Screw (M6 x 65 DIN 912-8.8)	4	60118-068	
5	End Cover	2	HU00446130	
6	Piston	2	HU00439379	
7	Retaining Clip	2	HU00156539	
8	Cap Screw (M4 x 20 DIN 912-8.8)	8	60118-020	
9	O-Ring (70 Duro Buna PRP-010)	1	68101-010	*▲
10	O-Ring (70 Duro Buna PRP-025)	1	68101-025	*▲
11	O-Ring (70 Duro Buna PRP-013)	5	68101-013	*▲
12	Feedback Spring	1	HU00921875	
13	Lever Arm	2	HU00426573	
14	Seal Nut (M8)	1	65110-004	*▲
15	Eccentric Screw	1	HU00426570	
16	Feedback Lever	1	HU00426568	
17	Pin (A3 x 15.8 G2 DIN 5402)	1	HU00087453	
18	Cap Screw (M6 x 20 DIN 912-8.8)	2	60118-058	
20	Retaining Plug	1	HU00408821	

* Contained in Seal Kit (P) 5480-635-007

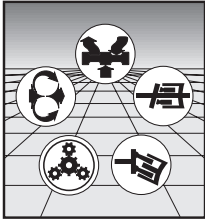
▲ Contained in Seal Kit (N) 5480-635-008



EP1 Control



Assembly Number
HU00602248



REXROTH CORPORATION

MOBILE HYDRAULICS DIVISION

EP1 Control

Assembly Number
HU00602248

Item	Description	Qty	Part Number	
1	Gasket	1	HU00443634	*▲
2	O-Ring (70 Duro Buna PRP-018)	2	68101-018	*▲
3	Cover	1	HU00443201	
4	Cap Screw (M6 x 65 DIN 912-8.8)	4	60118-068	
5	Solenoid (12V)	2	HU00441691	
6	Connector Gray	1	HU00152503	
7	Connector Black	1	HU00085290	
8	Cap Screw (M4 x 50 DIN 912-8.8)	8	60118-027	□
9	O-Ring (70 Duro Buna PRP-010)	1	68101-010	*▲
10	O-Ring (70 Duro Buna PRP-025)	1	68101-025	*▲
11	O-Ring (70 Duro Buna PRP-013)	5	68101-013	*▲
12	Feedback Spring	1	HU00445713	
13	Lever Arm	2	HU00426573	
14	Seal Nut (M8)	1	65110-004	*▲
15	Eccentric Screw	1	HU00426570	
16	Feedback Lever	1	HU00426568	
17	Bevel Pin (DIN 5402)	1	HU00087453	
18	Cap Screw (M6 x 20 DIN 912-8.8)	2	60118-058	
19	Dowel Pin (M6 x 14 DIN 6325)	1	69116-005	
20	Retaining Plug	1	HU00408821	

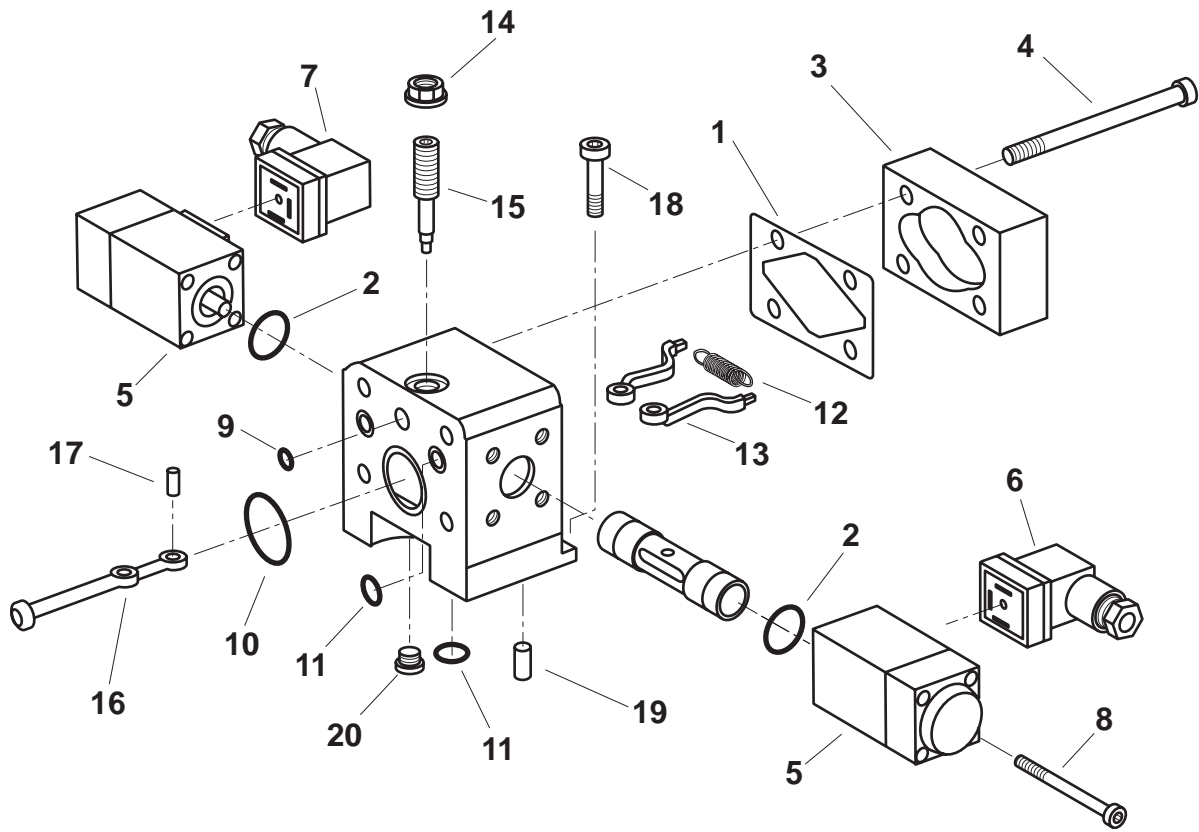
* Contained in Seal Kit (P) 5480-635-007

▲ Contained in Seal Kit (N) 5480-635-008

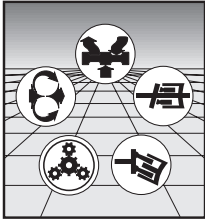
□ Included with HU00441691



EP2 Control



Assembly Number
HU00602247



REXROTH CORPORATION

MOBILE HYDRAULICS DIVISION

Assembly Number
HU00602247

EP2 Control

Item	Description	Qty	Part Number	
1	Gasket	1	HU00443634	*▲
2	O-Ring (70 Duro Buna PRP-018)	2	68101-018	*▲
3	Cover	1	HU00443201	
4	Cap Screw (M6 x 65 DIN 912-8.8)	4	60118-068	
5	Solenoid (24 Volts)	2	HU00441692	
6	Connector Gray	1	HU00152503	
7	Connector Black	1	HU00085290	
8	Cap Screw (M4 x 50 DIN 912-8.8)	8	60118-027	□
9	O-Ring (70 Duro Buna PRP-010)	1	68101-010	*▲
10	O-Ring (70 Duro Buna PRP-025)	1	68101-025	*▲
11	O-Ring (70 Duro Buna PRP-013)	5	68101-013	*▲
12	Feedback Spring	1	HU00445713	
13	Lever Arm	2	HU00426573	
14	Seal Nut (M8)	1	65110-004	*▲
15	Eccentric Screw	1	HU00426570	
16	Feedback Lever	1	HU00426568	
17	Bevel Pin (DIN 5402)	1	HU00087453	
18	Cap Screw (M6 x 20 DIN 912-8.8)	2	60118-058	
19	Dowel Pin (M6 x 14 DIN 6325)	1	69116-005	
20	Retaining Plug	1	HU00408821	

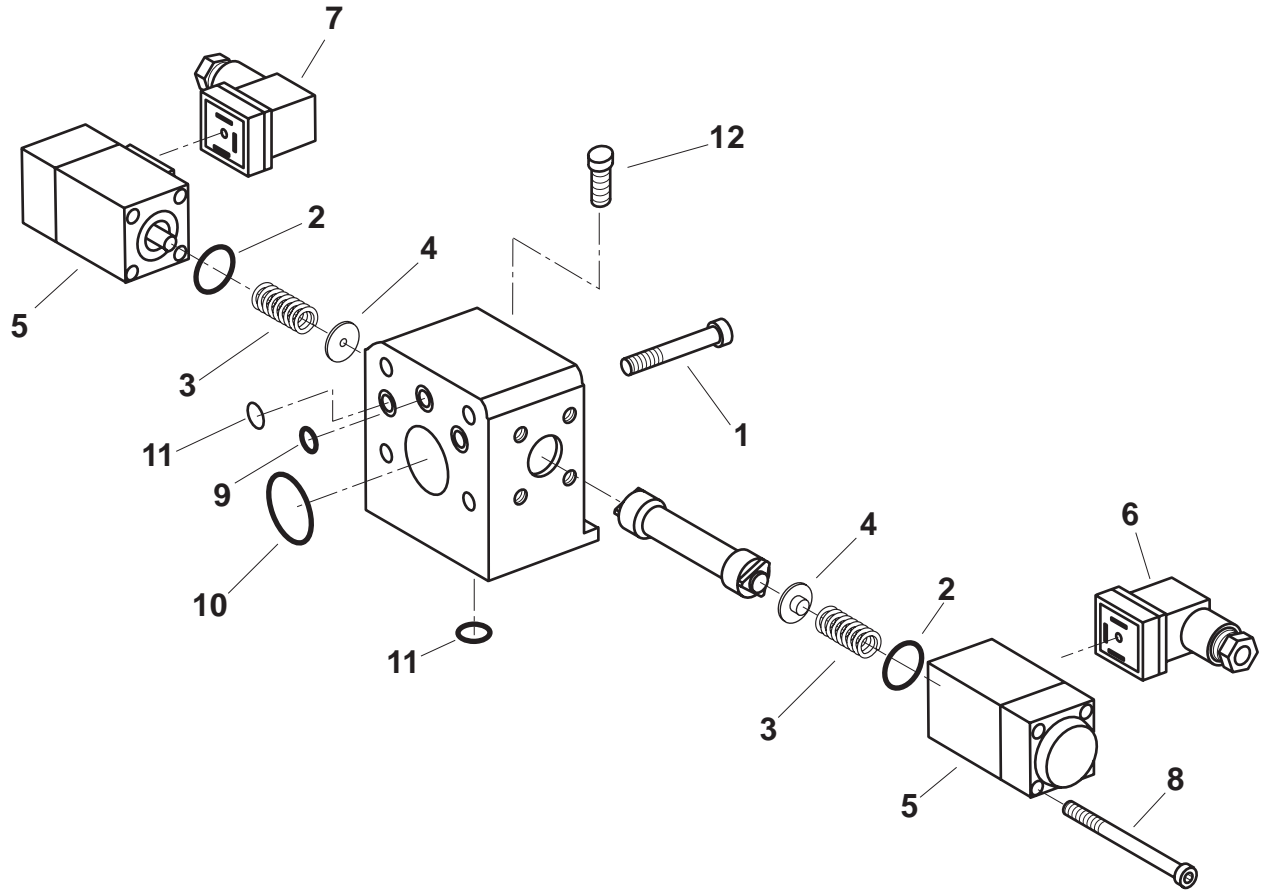
* Contained in Seal Kit (P) 5480-635-007

▲ Contained in Seal Kit (N) 5480-635-008

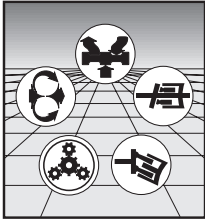
□ Included with HU00441692



EZ1 Control



Assembly Number
HU00437191



REXROTH CORPORATION

MOBILE HYDRAULICS DIVISION

EZ1 Control

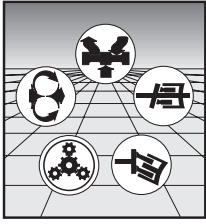
Assembly Number
HU00437191

Item	Description	Qty	Part Number	
1	Cap Screw (M6 x 50 DIN 912-8.8)	4	60118-340	
2	O-Ring (70 Duro Buna PRP-016)	2	68101-016	*▲
3	Spring	2	HU00071362	
4	Spring Collar	2	HU00400503	
5	Solenoid (12Volts)	2	HU00428265	
6	Connector Gray	1	HU00152503	
7	Connector Black	1	HU00085290	
8	Cap Screw (M4 x 65 DIN 912-8.8)	8	60118-340	□
9	O-Ring (70 Duro Buna PRP-010)	1	68101-010	*▲
10	O-Ring (70 Duro Buna PRP-025)	1	68101-025	*▲
11	O-Ring (70 Duro Buna PRP-013)	5	68101-013	*▲
12	Cap Screw (M6 x 20 DIN 912-8.8)	2	60118-058	

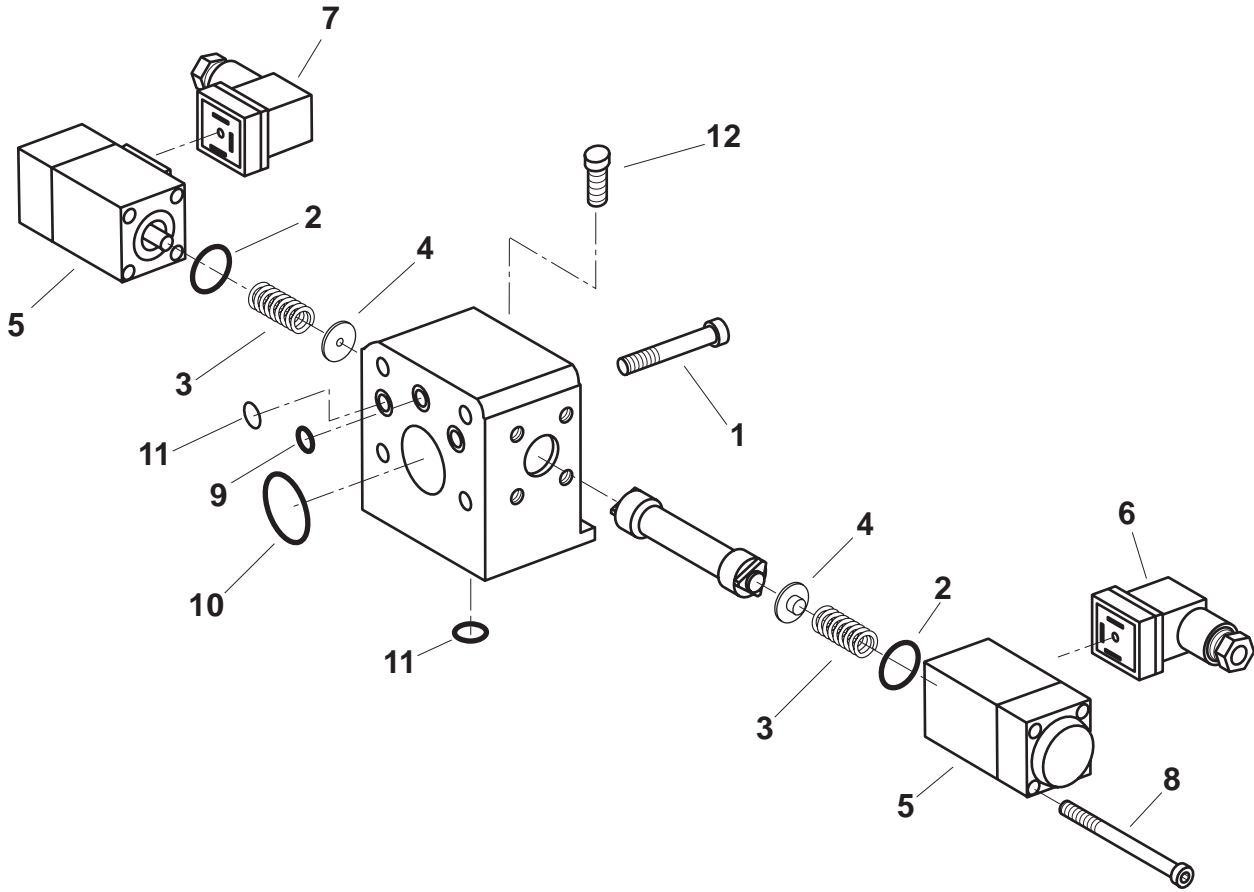
* Contained in Seal Kit (P) 5480-635-007

▲ Contained in Seal Kit (N) 5480-635-008

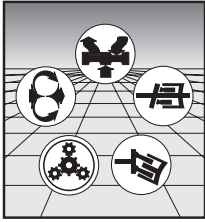
□ Included with HU00428265



EZ2 Control



Assembly Number
HU00437190



REXROTH CORPORATION

MOBILE HYDRAULICS DIVISION

EZ2 Control

Assembly Number
HU00437190

Item	Description	Qty	Part Number	
1	Cap Screw (M6 x 50 DIN 912-8.8)	4	60118-340	
2	O-Ring (70 Duro Buna PRP-016)	2	68101-016	*▲
3	Spring	2	HU00071362	
4	Spring Collar	2	HU00400503	
5	Solenoid (24Volts)	2	HU00428266	
6	Connector Gray	1	HU00152503	
7	Connector Black	1	HU00152503	
8	Cap Screw (M4 x 65 DIN 912-8.8)	8	60118-340	□
9	O-Ring (70 Duro Buna PRP-010)	1	68101-010	*▲
10	O-Ring (70 Duro Buna PRP-025)	1	68101-025	*▲
11	O-Ring (70 Duro Buna PRP-013)	5	68101-013	*▲
12	Cap Screw (M6 x 20 DIN 912-8.8)	2	60118-058	

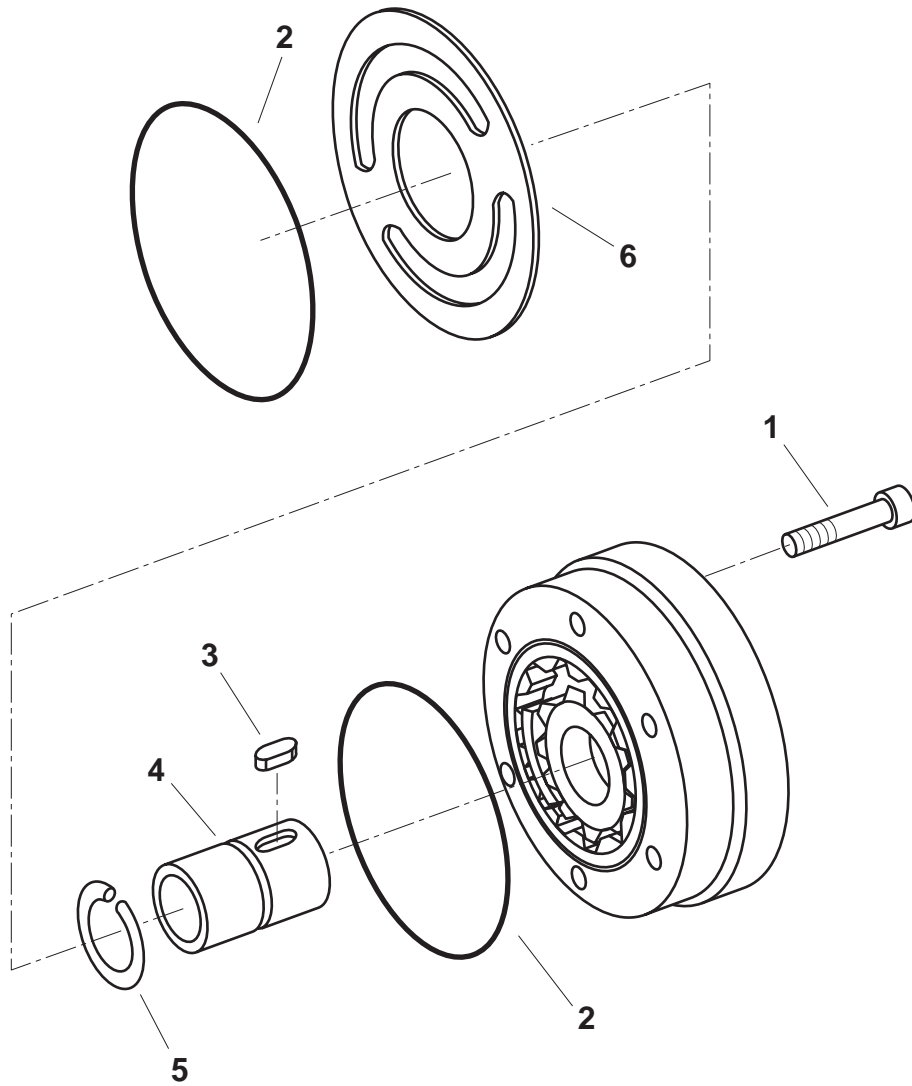
* Contained in Seal Kit (P) 5480-635-007

▲ Contained in Seal Kit (N) 5480-635-008

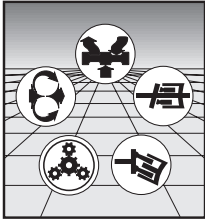
□ Included with HU00428266



Charge Pump (F00)



Assembly Number
HU00606233



REXROTH CORPORATION

MOBILE HYDRAULICS DIVISION

Charge Pump
(F00)

Assembly Number
HU00606233

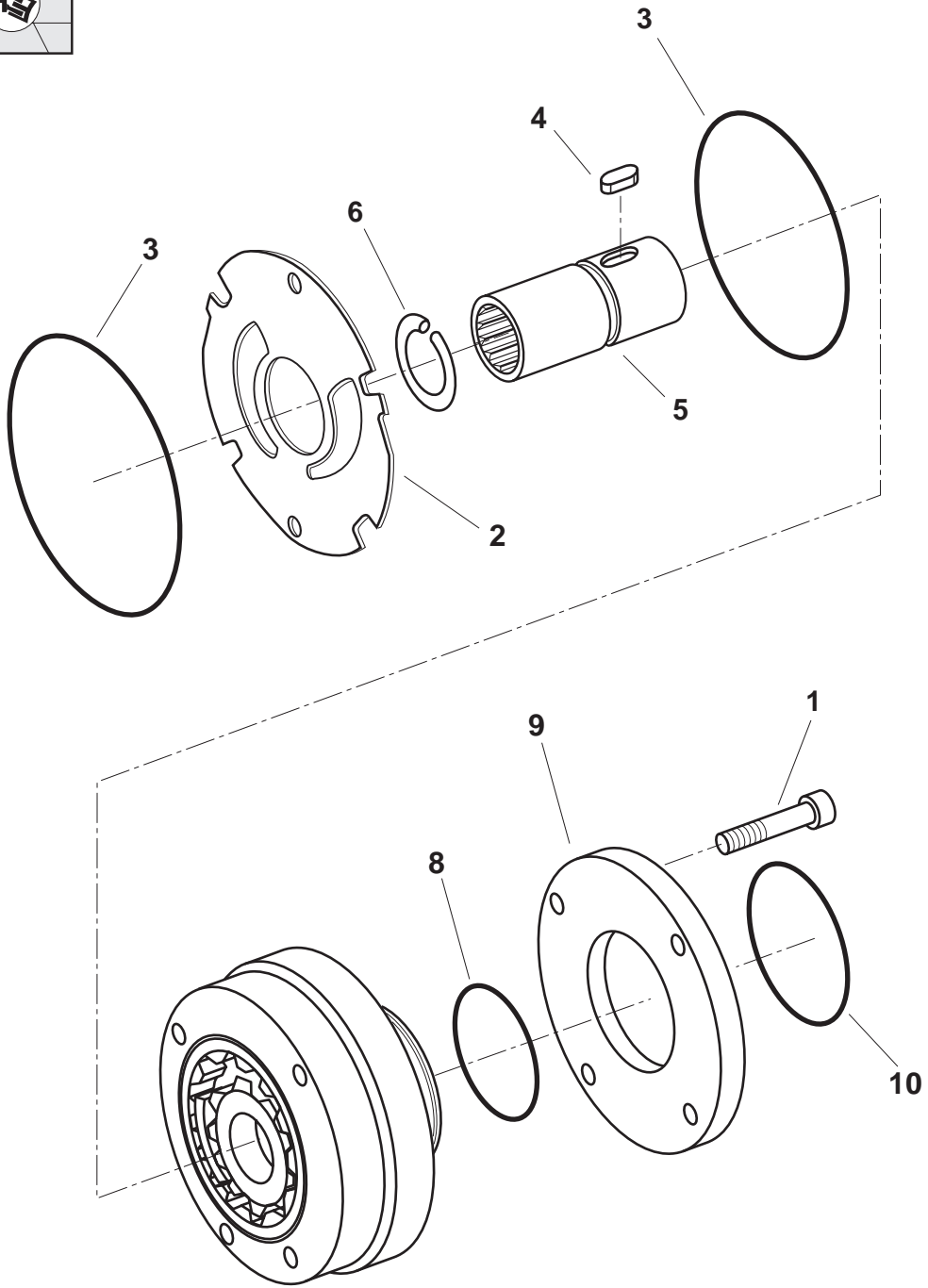
Item	Description	Qty	Part Number	
1	Cap Screw (M10 x 35 DIN 912-10.9)	6	60119-111	
2	O-Ring (70 Duro Buna PRP-048)	2	68101-048	*▲
3	Key	1	HU00449397	
4	Drive Shaft	1	HU00921571	
5	Retaining Ring (M50 x 2.5)	1	71130-025	
6	Wear Plate	1	HU00650692	

* Contained in Seal Kit (P) 5480-635-007

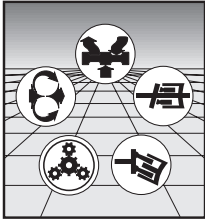
▲ Contained in Seal Kit (N) 5480-635-008



Thru Drive Charge Pump (F01...SAE-A)



Assembly Number
HU00606225



REXROTH CORPORATION

MOBILE HYDRAULICS DIVISION

Thru Drive Charge Pump
(F01...SAE-A)

Assembly Number
HU00606225

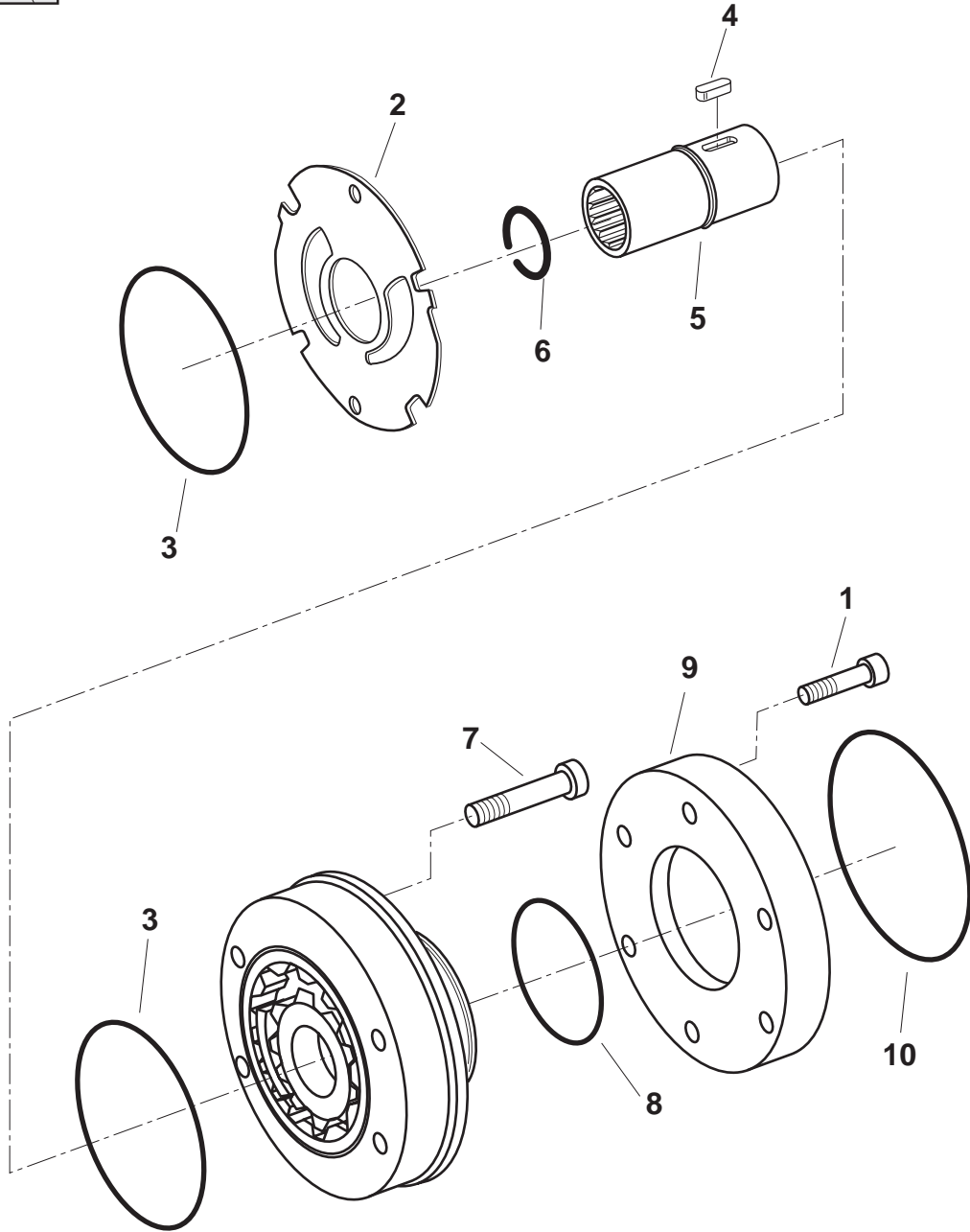
Item	Description	Qty	Part Number	
1	Cap Screw (M12 x 40 DIN 6912-8.8)	4	60140-061	
2	Wear Plate	1	HU00650692	
3	O-Ring (70 Duro Buna PRP-048)	2	68101-048	*▲
4	Key	1	HU00449397	
5	Thru-Drive Coupling (SAE A)	1	HU00449397	
6	Retaining Ring	1	HU00154019	
8	O-Ring (70 Duro Buna M84 x 2)	1	68111-259	*▲
9	Intermediate Plate	1	HU00435881	
10	O-Ring (70 Duro Buna PRP-151)	1	68101-151	*▲

* Contained in Seal Kit (P) 5480-635-007

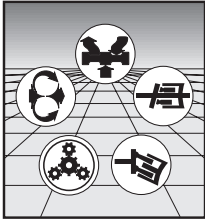
▲ Contained in Seal Kit (N) 5480-635-008



Thru Drive Charge Pump (F02...SAE-B)



Assembly Number
HU00606228



REXROTH CORPORATION

MOBILE HYDRAULICS DIVISION

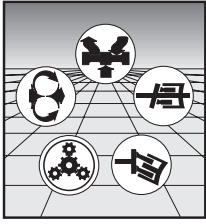
Thru Drive Charge Pump
(F02...SAE-B)

Assembly Number
HU00606228

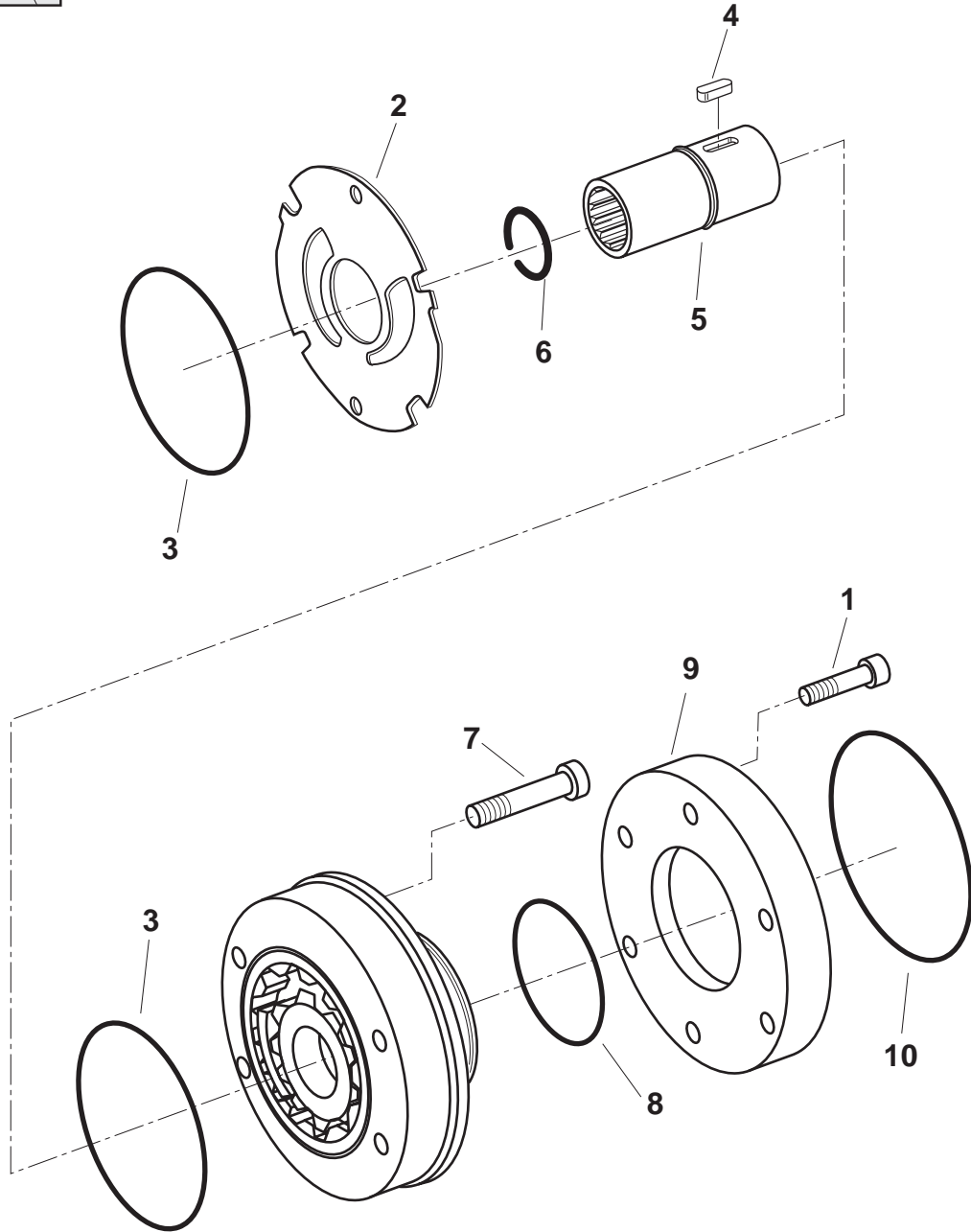
Item	Description	Qty	Part Number	
1	Cap Screw (M10 x 30 DIN 6912-10.9)	6	60141-112	
2	Wear Plate	1	HU00650692	
3	O-Ring (70 Duro Buna PRP-048)	2	68101-048	*▲
4	Key	1	HU00449397	
5	Thru-Drive Coupling (SAE B)	1	HU00921601	
6	Retaining Ring (M50 x 2.5 DIN 7993)	1	71130-025	
7	Cap Screw (M10 x 20 DIN 912-10.9)	4	60119-107	
8	O-Ring (70 Duro Buna PRP-151)	1	68101-151	*▲
9	Flange	1	HU00435802	
10	O-Ring (70 Duro Buna PRP-155)	1	68101-155	*▲

* Contained in Seal Kit (P) 5480-635-007

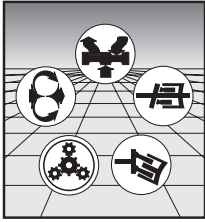
▲ Contained in Seal Kit (N) 5480-635-008



Thru Drive Charge Pump (F04...SAE-BB)



Assembly Number
HU00606226



REXROTH CORPORATION

MOBILE HYDRAULICS DIVISION

Thru Drive Charge Pump
(F04...SAE-BB)

Assembly Number
HU00606226

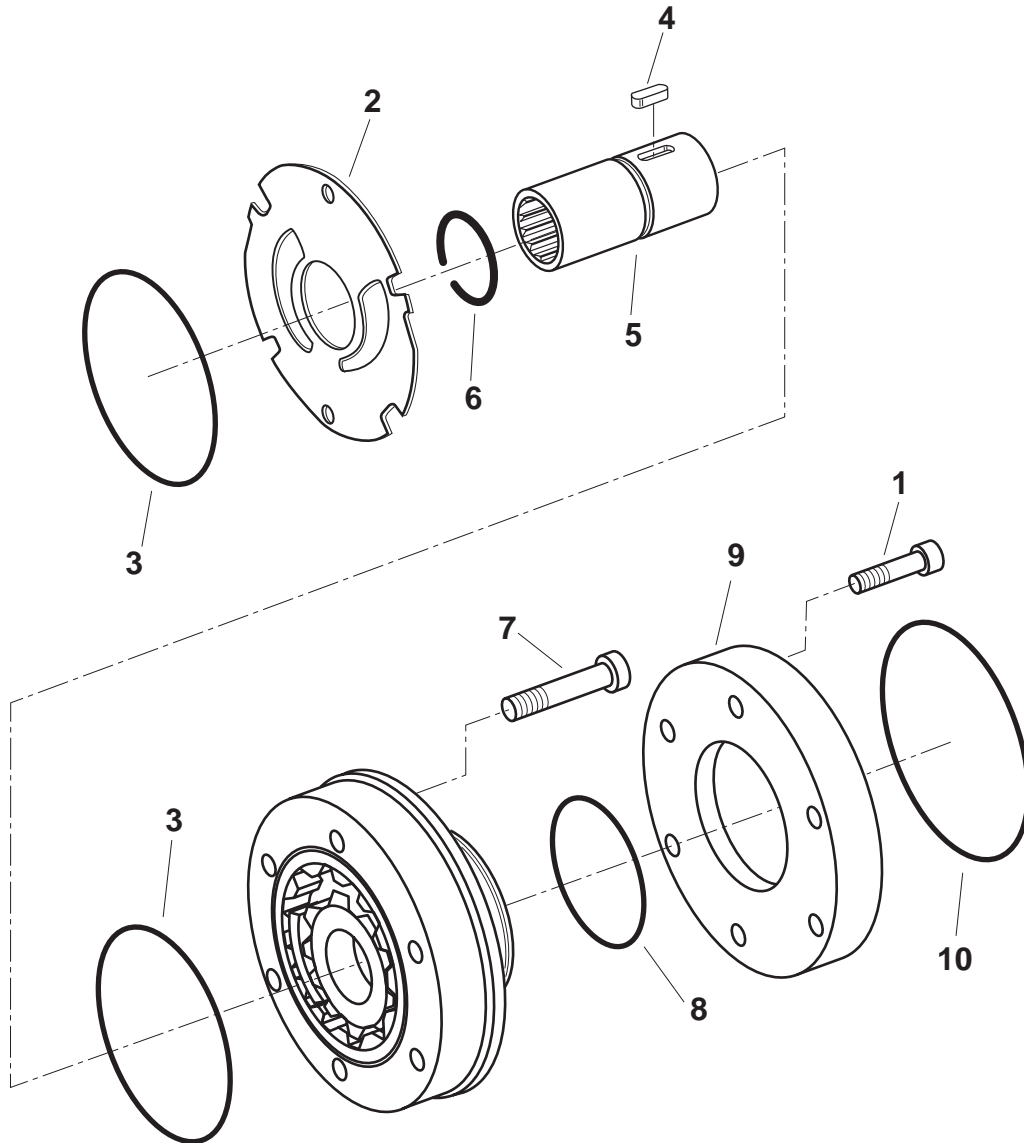
Item	Description	Qty	Part Number	
1	Cap Screw (M10 x 30 DIN 6912-10.9)	6	60141-112	
2	Wear Plate	1	HU00650692	
3	O-Ring (70 Duro Buna PRP-048)	2	68101-048	*▲
4	Key	1	HU00449397	
5	Thru-Drive Coupling (SAE BB)	1	HU00921614	
6	Retaining Ring (M50 x 2.5 DIN 7993)	1	71130-025	
7	Cap Screw (M10 x 20 DIN 912-10.9)	4	60119-107	
8	O-Ring (70 Duro Buna PRP-151)	1	68101-151	*▲
9	Flange	1	HU00435802	
10	O-Ring (70 Duro Buna PRP-155)	1	68101-155	*▲

* Contained in Seal Kit (P) 5480-635-007

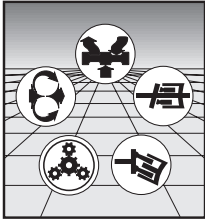
▲ Contained in Seal Kit (N) 5480-635-008



Thru Drive Charge Pump (F07...SAE-C)



Assembly Number
HU00606241



REXROTH CORPORATION

MOBILE HYDRAULICS DIVISION

Thru Drive Charge Pump
(F07...SAE-C)

Assembly Number
HU00606241

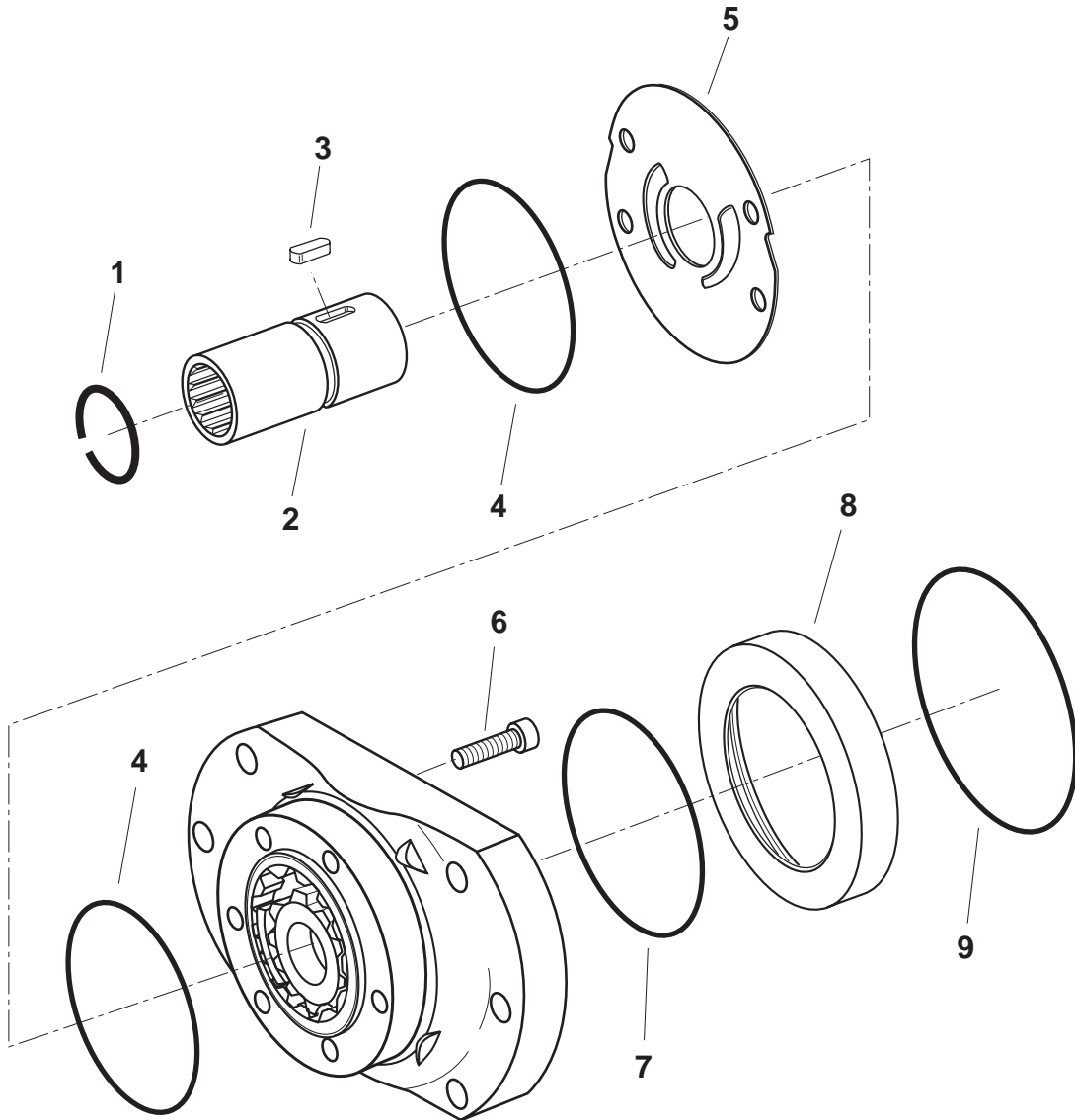
Item	Description	Qty	Part Number	
1	Cap Screw (M10 x 35 DIN 6912-10.9)	6	60119-111	
2	Wear Plate	1	HU00650692	
3	O-Ring (90 Duro Buna PRP-048)	2	68104-048	*▲
4	Key	1	HU00449397	
5	Thru-Drive Coupling (SAE "C")	1	HU00921620	
6	Retaining Ring (50 x 2.5 DIN 7993)	1	71130-025	
7	Cap Screw (M10 x 30 DIN 6912-10.9)	6	60141-112	
8	O-Ring (70 Duro Buna PRP-151)	1	68101-151	*▲
9	Flange	1	HU00439616	
10	O-Ring (70 Duro Buna PRP-159)	1	68101-159	*▲

* Contained in Seal Kit (P) 5480-635-007

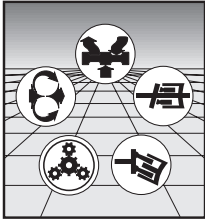
▲ Contained in Seal Kit (N) 5480-635-008



Thru Drive Charge Pump (F69...SAE-D)



Assembly Number
HU00606245



REXROTH CORPORATION

MOBILE HYDRAULICS DIVISION

Thru Drive Charge Pump
(F69...SAE-D)

Assembly Number
HU00606245

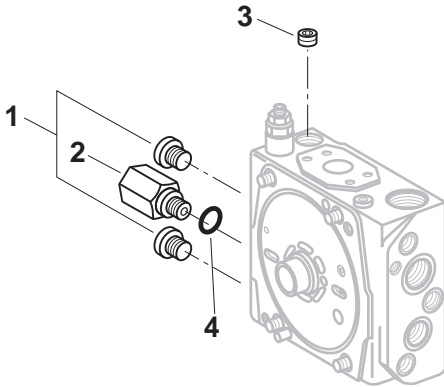
Item	Description	Qty	Part Number	
1	Retaining Ring (M22 x 2.0 DIN 7993)	1	71129-009	
2	Thru-Drive Shaft (SAE "D")	1	HU00650216	
3	Key	1	HU00449395	
4	O-Ring (70 Duro Buna PRP-048)	2	68101-048	*▲
5	Wear Plate	1	HU00650692	
6	Cap Screw (M8 x 35 DIN 912-10.9)	6	60119-111	
7	O-Ring (70 Duro Buna PRP-248)	1	68101-248	*▲
8	Cover	1	HU00440069	
9	O-Ring (70 Duro Buna PRP-258)	1	68101-258	*▲

* Contained in Seal Kit (P) 5480-635-007

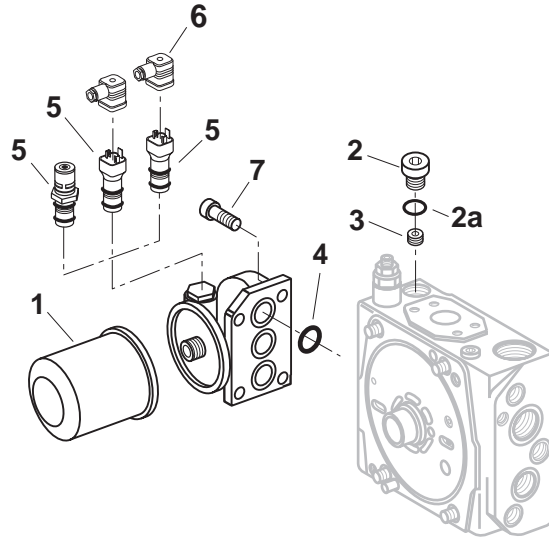
▲ Contained in Seal Kit (N) 5480-635-008



Filtration Options



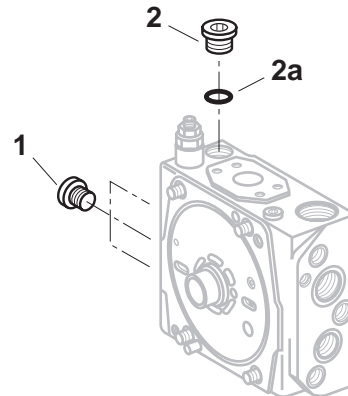
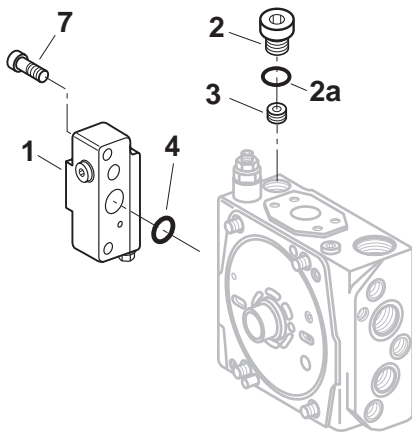
Option D

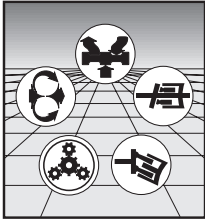


Option's F, P, L, M

Option K

Option S





REXROTH CORPORATION

MOBILE HYDRAULICS DIVISION

Filtration Options

Item	Description	Qty	Part Number	
Option D				
1	Plug (M33 x 2)	2	76116-008	*▲
2	Adapter fitting	1	HU00442847	
3	Plug (M20 x 1.5 DIN 906)	1	76117-008	
4	O-Ring (90 Duro Buna PRP-126)	1	68104-126	*▲
Option F, P, L, M				
1	Filter Element	1	HU00157956	
2	Plug (1 5/16-12 UNF)	1	76107-016	
2a	O-Ring (90 Duro Buna Tube PRP-916)	1	68105-916	*▲
3	Plug (M20 x 1.5 DIN 906)	1	76117-008	
4	O-Ring (90 Duro Buna PRP-126)	3	68104-126	*▲
5	Visual Contamination Indicator	1	HU00830834	
5	Electrical Contamination Indicator	1	HU00830265	
5	Visual and Electrical Contamination Indicator	1	HU00830543	
6	Electrical Connector	1	HU00152503	
7	Cap Screw (M8 x 25 DIN 912-8.8)	4	60118-083	
Option K				
1	Cold Start Valve	1	HU02006412	
2	Plug (1 5/16-12 UNF)	1	76107-016	
2a	O-Ring (90 Duro Buna Tube PRP-916)	1	68105-916	*▲
3	Plug (M20 x 1.5 DIN 906)	1	76117-008	
4	O-Ring (90 Duro Buna PRP-126)	3	68104-126	*▲
7	Cap Screw (M8 x 30 DIN 912-8.8)	3	60118-084	
Option S				
1	Plug (M33 x 1.5)	3	76116-008	*▲
2	Plug (1 5/16-12 UNF)	1	76107-016	
2a	O-Ring (90 Duro Buna Tube PRP-916)	1	68105-916	*▲

* Contained in Seal Kit (P) 5480-635-007

▲ Contained in Seal Kit (N) 5480-635-008

Variable Displacement Pump AA4VG Series 32

Specifications, descriptions, and illustrative material shown herein were as accurate as known at the time this publication was printed. Rexroth reserves the right to discontinue models or options at any time or to change specifications, materials, or designs without notice and without incurring obligation.

DISTRIBUTED BY: