

Service Data

Vickers®

Transmissions



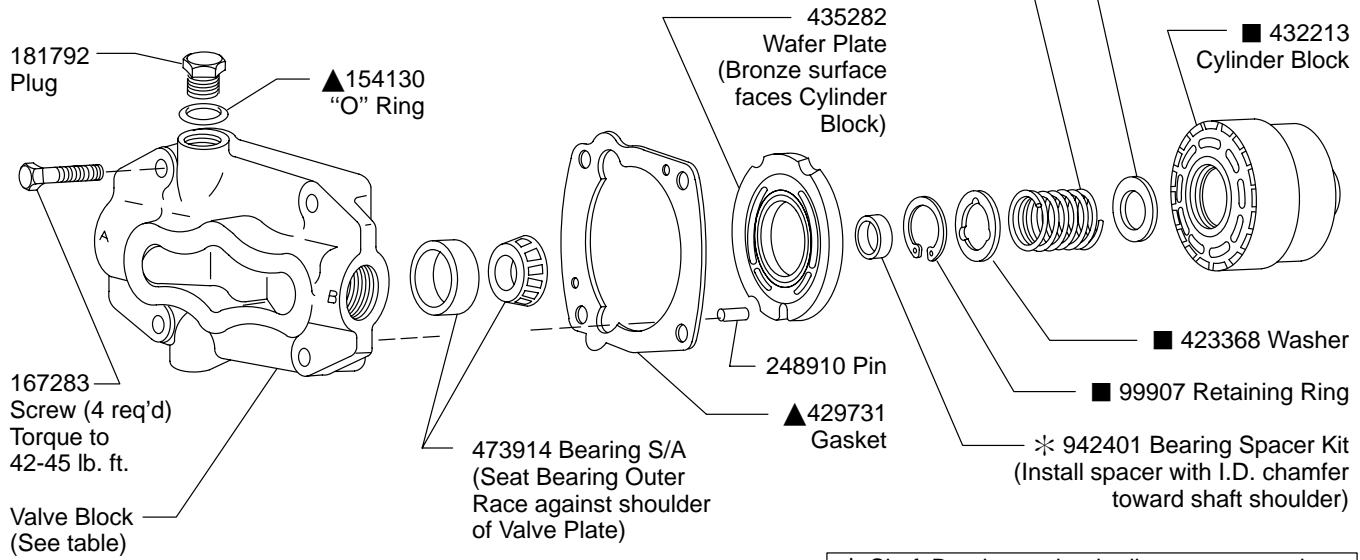
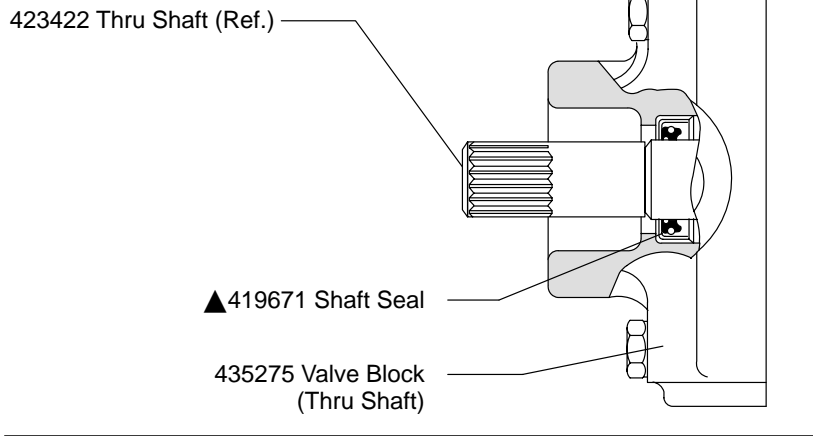
Fixed Displacement Transmission Motors

MFE15(X)-*-30

MFE19(X)-*-30



MFE 19X-*-30-* Thru Shaft Models**



* Shaft Bearing preload adjustment procedure

Note

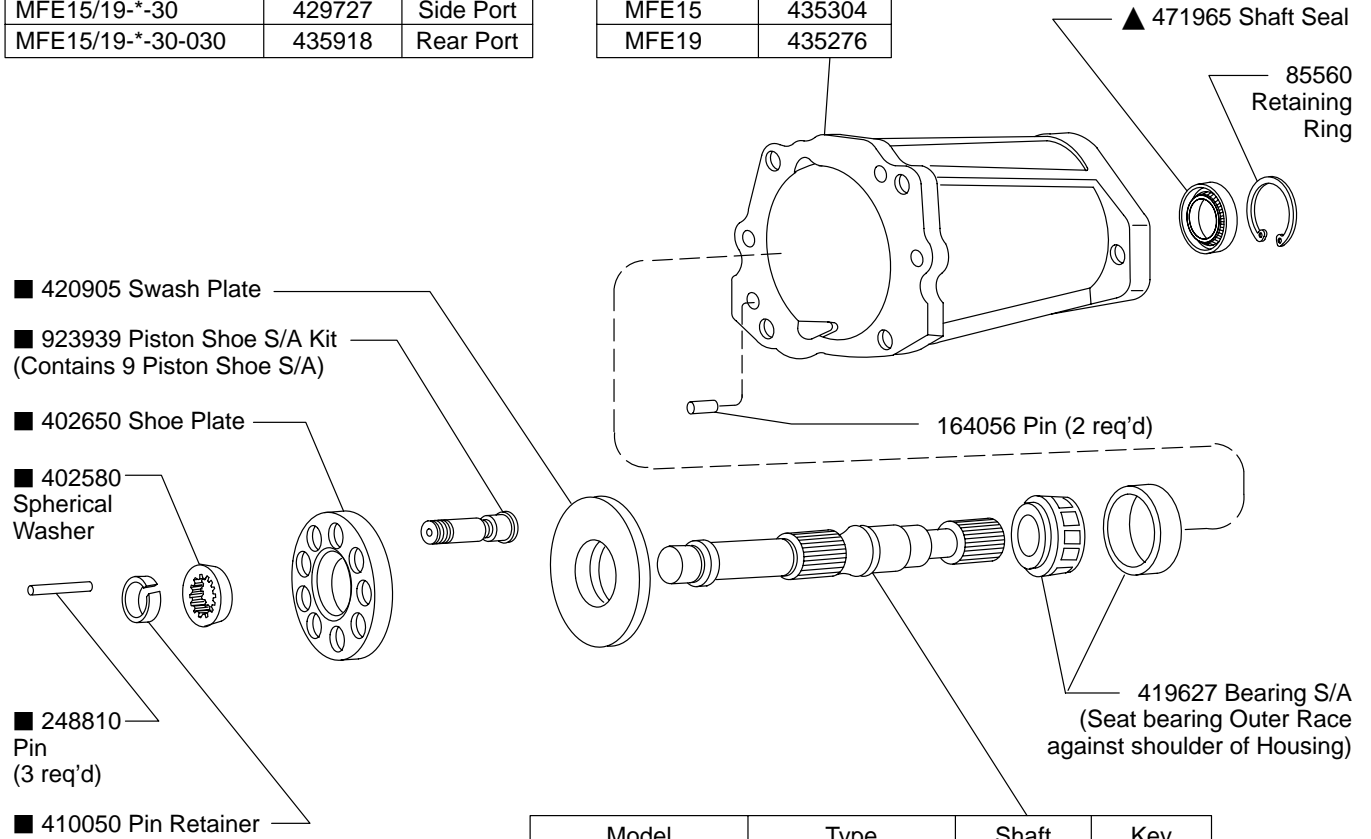
If the shaft bearings, shaft, valve plate or housing were not replaced, use the bearing spacer removed during the disassembly procedure to preload the shaft. If preload is necessary, perform the following steps:

1. Install the thickest bearing spacer from the kit with chamfer facing toward shoulder of the shaft.
2. Slide tapered roller bearing over the shaft and up against the bearing spacer. The small diameter of the tapered roller bearing must face out of the housing.
3. Install valve plate to housing without gasket and rotating group. Turn the shaft to seat bearings then torque the four valve plate attaching screws to two (2) lb. in. Check the opening between the valve plate and housing to be as even as possible after tightening.
4. Use a feeler gage to measure the opening between valve plate and housing. Four (4) measurements should be obtained equidistant around the unit. A tapered feeler gage is especially useful for this purpose. Average the measurements be adding them together and dividing by four (4). Calculate thickness of the shaft bearing spacer as follows:
5. Remove the large spacer and replace with one having the calculated dimensions.
6. Assemble the motor with rotating group and a new gasket. Cross torque the valve plate screws to 42-45 lb. ft.

+ 0.150	Measured thickness of bearing spacer
- 0.027	Average gap (assumed)
+ 0.003 ± 0.001	Preload setting
+ 0.020	Compressed thickness of gasket
0.146 ± 0.001	Required thickness of spacer to provide a 0.001 to 0.003 bearing preload.

Model	Valve Block	Type
MFE15/19-*-30	429727	Side Port
MFE15/19-*-30-030	435918	Rear Port

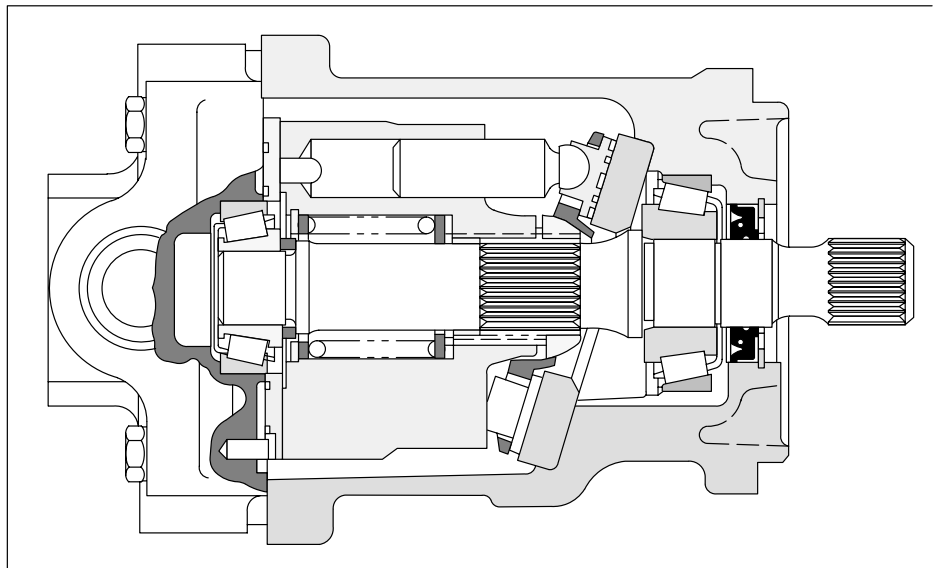
Model	Housing
MFE15	435304
MFE19	435276



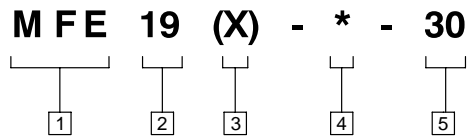
Model	Type	Shaft	Key
MFE15/19-2	Splined	423421	_____
MFE15/19-6	Splined	425424	_____
MFE15/19-9	Splined	429700	_____
MFE15/19-21	Keyed	581109	582162
MFE15/19X-2	Splined (Thru)	423422	_____
MFE15/19X-5	Splined (Thru)	575313	_____
MFE15/19X-9	Splined (Thru)	429734	_____
MFE15/19X-13	Tapered Key	426791	5806
MFE15/19X-17	Splined (Thru)	434797	_____

▲ Included in 923979
MFE 19X Seal Kit

■ Included in 923933
Rotating Group Kit



Model Code



1 Model Series

MFE - Motor, fixed displacement,
in-line piston unit, E-Series

2 Flow Rating @ 1800 rpm

15 - 15 USgpm
19 - 19 USgpm

3 Thru Shaft - Splined

X-2 - 15T - SAE B-B
X-5 - 13T - SAE B
X-9 - 13T - SAE B
X-13 - Tapered key
X-17 - 15T - SAE B-B

4 Input Shaft

2 - Splined, 15T - SAE B-B
6 - Splined, 15T - SAE B-B
9 - Splined, 13T - SAE B
21 - Keyed, 0.875 dia. - straight key

5 Design

For satisfactory service life of these components in industrial applications, use full flow filtration to provide fluid which meets ISO cleanliness code 18/15 or cleaner. Selections from Eaton OFP, OFR, and OFRS series are recommended.